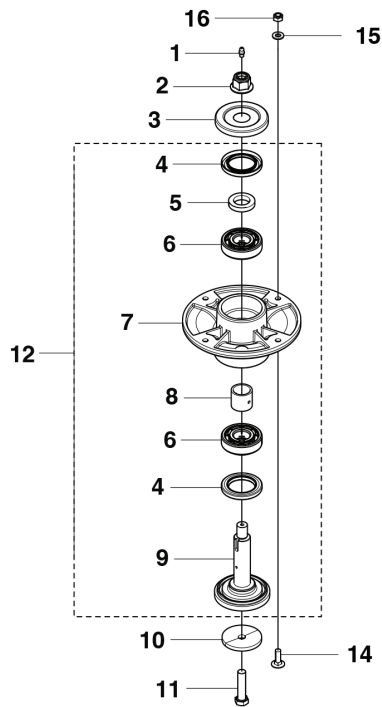


CUTTING DECK C155, 967009701, 2012

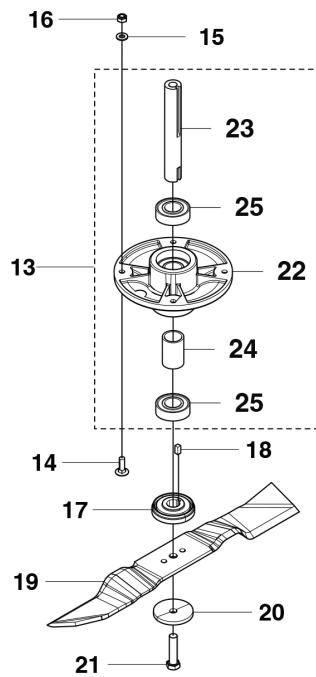
SPARE PARTS LIST

E COMBI 155
CUTTINGDECK
For 967009701

Greaseable

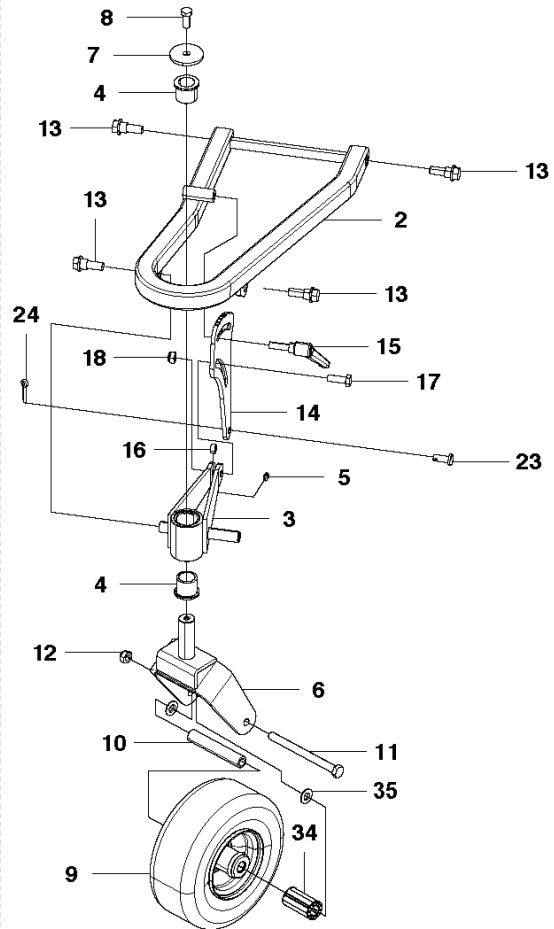
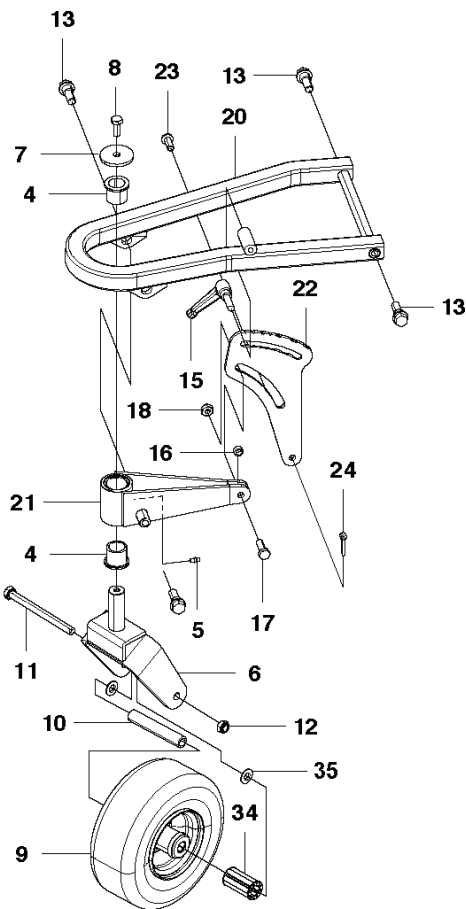
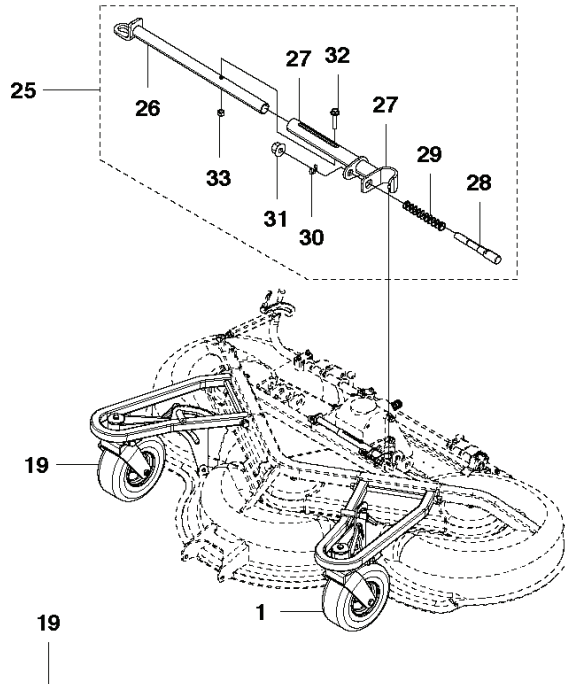


Not Greaseable



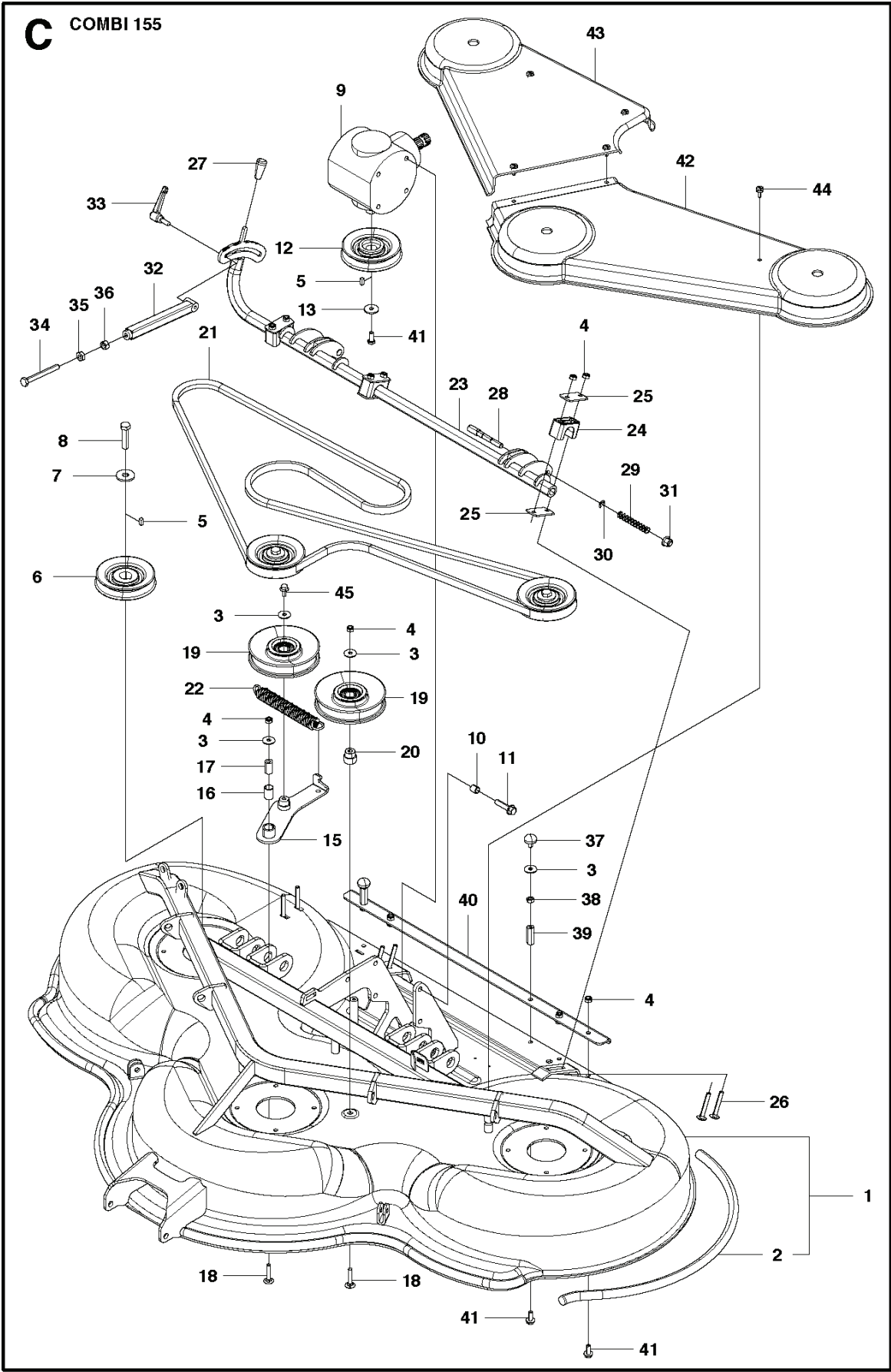
REF.	PART NO.	DESCRIPTION	REMARK	QTY.	KIT
1	738881001	LUBRICATION NIPPLE		3	
2	577411901	NUT FLANGE		3	
3	577970801	DUST COVER		3	
4	577226001	RADIAL SEAL		6	12
5	577162401	SPACER		3	12
6	580398001	BALL BEARING		6	12
7	578016101	BEARING HOUSING		3	12
8	577207801	SPACER		3	12
9	577970701	BLADE BRACKET		2	12
10	506792302	KNIFE PLATE		3	
11	725254286	SCREW EHHM		3	
12	577162201	BEARING HOUSING ASSY		1	
13	535428602	BLADE HOUSING ASSY		3	
14	535423801	SCREW RSQM		12	
15	734116401	WASHER		14	
16	732211801	LOCK NUT		12	
17	535504201	ADAPTER		3	
18	506533501	PARALLEL KEY		3	
19	586198910	BLADE		3	
20	506792302	KNIFE PLATE		3	
21	725254251	SCREW EHHM		3	
22	535428901	BEARING HOUSING		1	13
23	535428702	SHAFT		1	13
24	535428801	SPACER		1	13
25	738220519	BALL BEARING		2	13

B COMBI 155



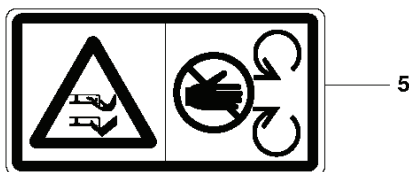
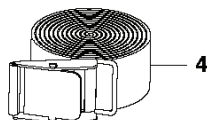
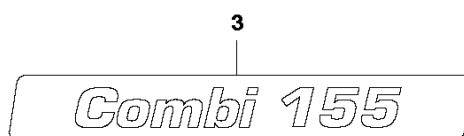
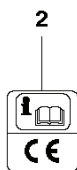
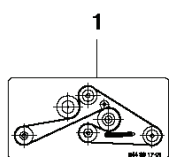
REF.	PART NO.	DESCRIPTION	REMARK	QTY.	KIT
1	544173201	WHEEL SUSPENSION		1	
2	544173501	SUPPORTING ARM		1	1
3	544173301	PIVOT WHEEL SUPPORT		1	1
4	544174101	BEARING BUSH		4	1, 19
5	738881001	LUBRICATION NIPPLE		2	1, 19
6	544173401	FORK		2	1, 19
7	506982501	WASHER		2	1, 19
8	506675401	SCREW EHHFM		2	1, 19
9	539104556	TIRE		2	1, 19
10	539101872	SPACER		2	1, 19
11	725255951	SCREW EHHM		2	1, 19
12	732252201	HEXAGON LOCKING NUT		2	1, 19
13	506895801	COLLAR SCREW		4	1, 19
14	544175001	SHEET		1	1
15	544191801	TURNING KNOB		2	1, 19
16	544200201	SLEEVE		2	1, 19
17	725249571	SCREW EHHM		2	1, 19
18	732212051	NUT		2	1, 19
19	544173202	WHEEL SUSPENSION		1	
20	544173502	SUPPORTING ARM		1	19
21	544173302	PIVOT WHEEL SUPPORT		1	19
22	544175002	SHEET		1	19
23	721845601	CLEVIS PIN		2	1, 19
24	721618301	SPLIT PIN		2	1, 19
25	579744701	STAY		1	
26	579285301	STAY		1	
27	579285401	STAY		1	25
28	579595901	COTTER		1	25
29	579503401	SPRING		1	25
30	735311320	E-CLIP		1	25
31	576645705	NUT FLANGE		1	25
32	535475230	SCREW EHHFM		1	25
33	732211601	LOCK NUT		1	25
34	539977353	ROLLER BEARING		4	1, 19
35	539977356	ENDCAP, NOTCHED		2	1, 19

C COMBI 155



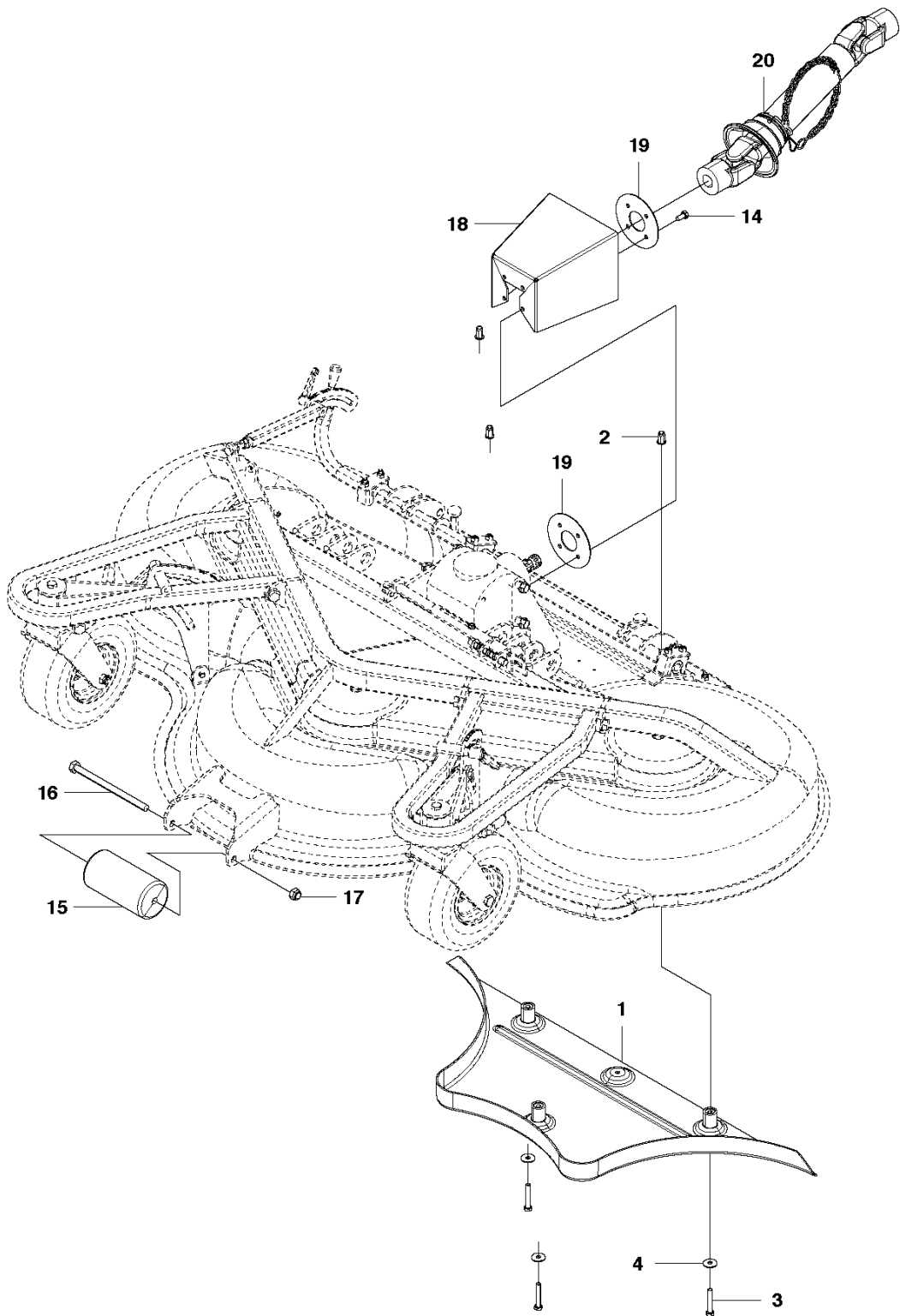
REF.	PART NO.	DESCRIPTION	REMARK	QTY.	KIT
1	578982901	DECK SHELL		1	
2	522523601	REINFORCEMENT		2	2
3	734116441	WASHER		4	
4	732211801	LOCK NUT		11	
5	506533501	PARALLEL KEY		4	
6	544255601	PULLEY		3	
7	535429201	WASHER		3	
8	725254251	SCREW EHHM		3	
9	544183401	BEVEL GEAR		1	
10	577400301	BUSHING		5	
11	506675402	SCREW EHHFM		5	
12	544184001	PULLEY		1	
13	544221601	WASHER		1	
15	544175501	BELT TENSIONER		1	
16	506986103	BUSHING		1	
17	506992001	PIPE		1	
18	727645951	SCREW		2	
19	523116201	BELT TENSIONER WHEEL		2	
20	535484801	BUSHING		1	
21	589535001	BELT		1	
22	544218105	DRAW SPRING		1	
23	578937401	CROSS BAR		1	
24	504190301	BEARING COVER		3	
25	506813801	REINFORCING PLATE		4	
26	535423802	SCREW RSQM		6	
27	535438201	KNOB		1	
28	579595901	COTTER		2	
29	579503401	SPRING		2	
30	735311320	E-CLIP		2	
31	576645705	NUT FLANGE		2	
32	544201102	PARALLEL ROD		1	
33	544196801	TURNING KNOB		1	
34	725250971	SCREW EHHM		1	
35	732212051	NUT		1	
36	731232001	HEXAGON NUT		1	
37	501976601	ANTIVIBRATION ELEMENT		2	
38	731231801	HEXAGON NUT		2	
39	544317601	SPACING SLEEVE		2	
40	501976701	REINFORCING PLATE		1	
41	506570104	SCREW EHHFM		6	
42	544184702	BELT COVER		1	
43	544184802	BELT COVER		1	
44	574856202	SCREW		5	
45	506558302	SCREW EHHFT		1	

D COMBI 155



REF.	PART NO.	DESCRIPTION	REMARK	QTY.	KIT
1	544391701	LABEL		1	
2	506929001	LABEL		1	
3	544245602	LABEL		1	
4	580428601	STRAP		1	
5	574510001	DECAL		2	

A COMBI 155



REF.	PART NO.	DESCRIPTION	REMARK	QTY.	KIT
1	544166402	PLUG ASSY		1	
2	506916203	NUT		3	
3	725246151	SCREW EHHM		3	
4	734116441	WASHER		3	
14	725244951	SCREW		4	
15	544185401	ROLLER		1	
16	544221001	SCREW EHHM		1	
17	732252201	HEXAGON LOCKING NUT		1	
18	522750001	PROTECTION		1	
19	522750101	ATTACHMENT PLATE		2	
20	525571201	SHAFT ASSY		1	