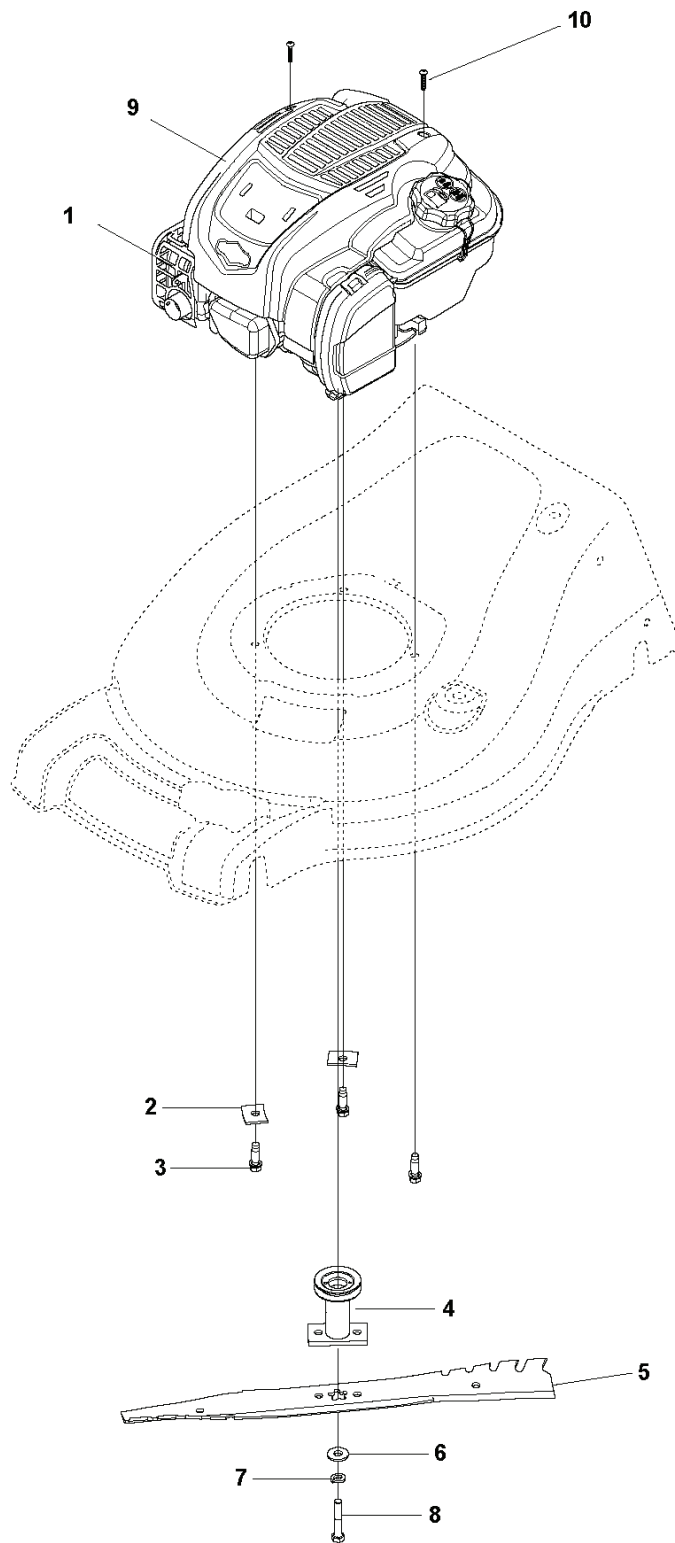


LC221AH, 96143012900, 2016-09

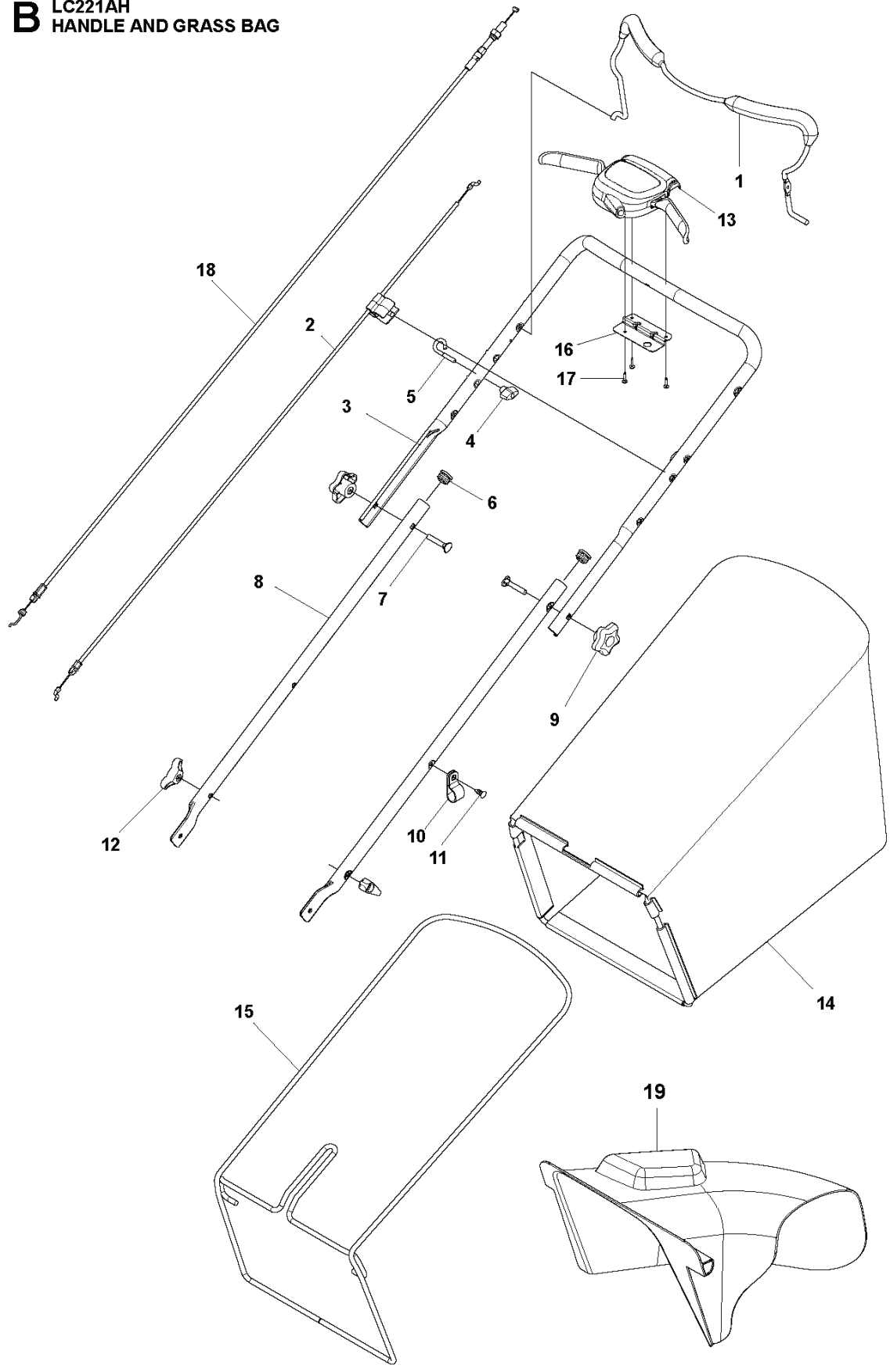
SPARE PARTS LIST

C LC221AH
ENGINE



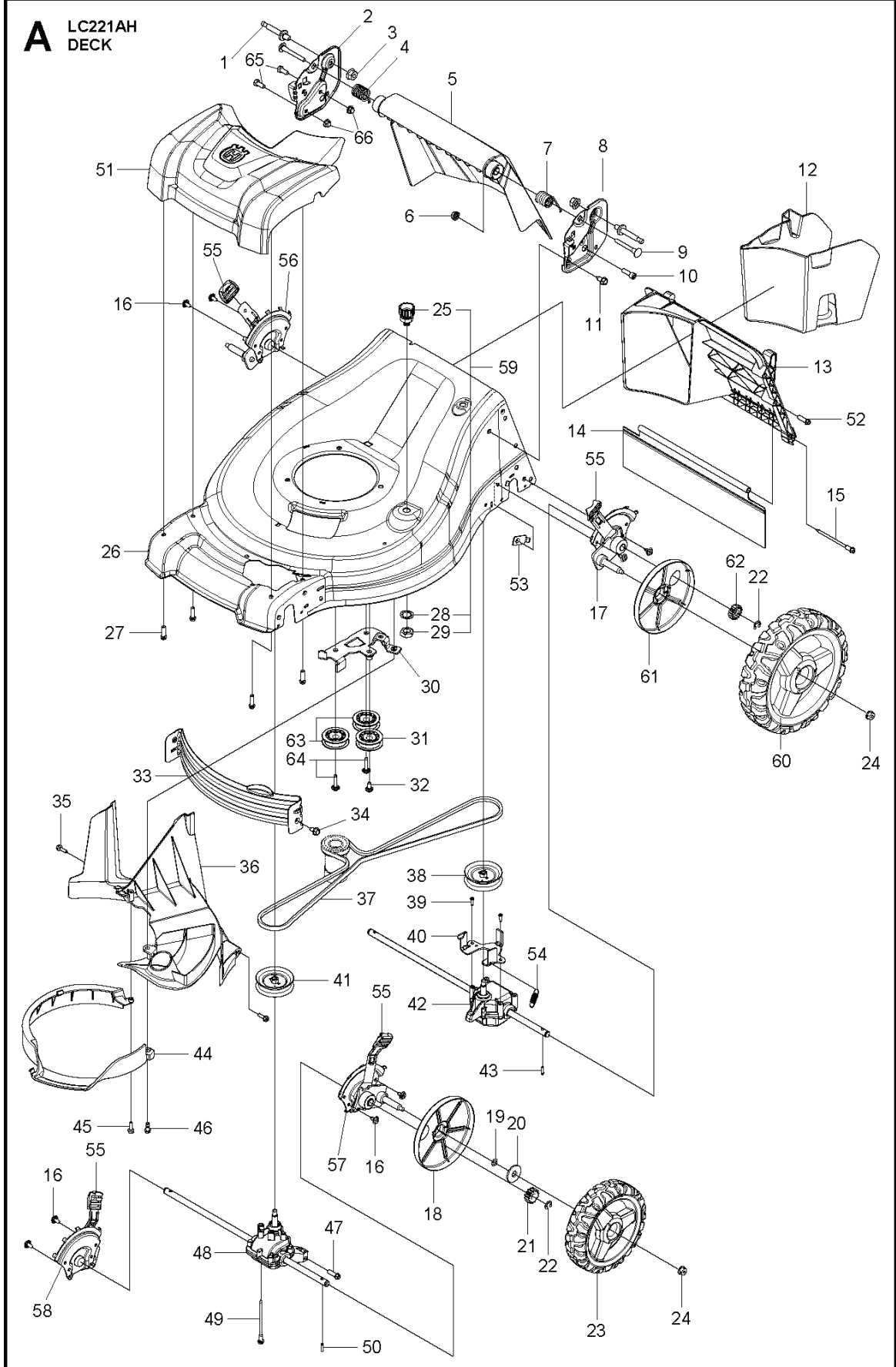
REF.	PART NO.	DESCRIPTION	REMARK	QTY.	KIT
1	000000000	W/O DESCRIPTION	B&S 104M02-0002-F1 FOR SERVICE & PARTS 1-800-233-3723	1	
2	532125078	WASHER	Engine	2	
3	532150406	BOLT	"Engine, 3/8-16"	3	
4	583547901	CABLE	"25, 21" AWD"	1	
5	586859602	BLADE	High Lift	1	
6	532851074	WASHER	Hardened	1	
7	532850263	WASHER	"3/8, Helical Spring"	1	
8	582388401	BOLT	"Blade, Hex Head Machine Screw"	1	
9	000000000	W/O DESCRIPTION	B&S 104M02-0002-F1 FOR SERVICE & PARTS 1-800-233-3723	1	
10	000000000	W/O DESCRIPTION	B&S 104M02-0002-F1 FOR SERVICE & PARTS 1-800-233-3723	2	

B LC221AH
HANDLE AND GRASS BAG



REF.	PART NO.	DESCRIPTION	REMARK	QTY.	KIT
1	587689302	BAIL ARM ASSY	Curved	1	
2	532427497	CABLE	Operator Presence Bail	1	
3	580638706	HANDLE	Curved	1	
4	581912601	KNOB	"T. Rope Guide"	1	
5	581902101	GUIDE	Rope	1	
6	532437516	PLUG	"Plastic, 7/8, 14-20 Gauge"	2	
7	588040401	BOLT	"Concave Head, Retaining"	2	
8	501064002	HANDLEBAR	"Lower 2 piece, 3 Position"	1	
9	532182398	KNOB	"Handle, Star"	2	
10	532197991	CLIP	P/Cable	1	
11	532428124	FASTENER	"Push, 0.250 X 0.783"	1	
12	532191938	KNOB	"Handle, STANDARD"	2	
13	587420001	CONTROL	"Control, AW2"	1	
14	587100409	GRASS BAG ASSY	"Husqvarna 21" AWD"	1	
15	586929102	BAG FRAME		1	
16	587249302	BACKPLATE	Dual Trigger Control	1	
17	532181698	SCREW		3	
18	587421101	CABLE		1	
19	582261901	CHUTE		1	

A LC221AH
DECK



REF.	PART NO.	DESCRIPTION	REMARK	QTY.	KIT
1	587015201	BOLT	"Handle, Pivot, 5/16-18"	2	
2	589197802	HANDLEBAR BRACKET	"Adjustable Handle, Right"	1	
3	587599901	NUT	"Serrated Flange, 5/16-18"	2	
4	587250601	SPRING	"Right, Door"	1	
5	586138007	DOOR	Rear	1	
6	532413284	NUT	"Flanged, 3/8-16"	1	
7	587249801	SPRING	"Left, Door"	1	
8	589197602	HANDLEBAR BRACKET	"Adjustable Handle, Left"	1	
9	587198901	BOLT	Pivot, 3/8-16	1	
10	587281101	SCREW	"Hi-Lo, 5/16 X 1.00"	3	
11	817000510	BOLT	"Hex, 5/16"	2	
12	586922701	MULCHING PLUG		1	
13	586137501	INSERT	Rear	1	
14	586698801	GUARD	Rear	1	
15	587438201	SCREW	"Hi-Lo, 5/16-14 X 4.10"	1	
16	581127601	SCREW	1/4-20 Tri-lobe	8	
17	582261802	HEIGHT ADJUSTER	"4-Point, Left Rear"	1	
18	581840401	DUST COVER	Wheel	4	
19	532197480	O-RING		2	
20	532067725	WASHER	1/2 X 1-1/2 X .134	2	
21	532404835	PINION	"14 Tooth, AWD"	2	
22	812000058	E-CLIP	"7/16, RE-Style"	4	
23	580365301	WHEEL	"8 x 2, AWD"	2	
24	532409148	NUT	"Hex Flange, 3/8-16"	4	
25	532419735	HOSE FITTING	Blue	1	59
26	501457801	HOUSING ASSY	"21" AWD"	1	
27	584299401	SCREW EHHFT	"Hi-Lo, 5/16 X 1.00"	4	
28	532415585	LOCKWASHER	Star	1	59
29	532415586	LOCK NUT	Hex	1	59
30	589291002	BRACKET	"Idler, AWD"	1	
31	587969201	PULLEY	Idler	1	
32	581127601	SCREW	1/4-20 Tri-lobe	1	
33	586698601	BAFFLE	Front	1	
34	817000510	BOLT	"Hex, 5/16"	2	
35	587599801	SCREW	"Hi-Lo, 13-16 X.750"	2	
36	586560401	BELT COVER	Belt/Rear Baffle	1	
37	580364609	BELT	"Drive, AWD"	1	
38	586963001	PULLEY	"Transmission, AWD"	1	
39	532163409	SCREW	"12 X 5/8, Hi/Lo Thread"	2	
40	581152502	BRACKET	Rear Transmission	1	
41	586963001	PULLEY	"Transmission, AWD"	1	
42	586137601	TRANSMISSION	"AWD, Rear"	1	
43	532404845	PAWL, DRIVE	Drive	2	
44	587081001	STRIPPER	Stripper	1	
45	587599801	SCREW	"Hi-Lo, 13-16 X.750"	1	
46	581726101	BOLT	"Shoulder, 1/4-20 Tri-lobe"	1	
47	584299401	SCREW EHHFT	"Hi-Lo, 5/16 X 1.00"	1	
48	589486201	TRANSMISSION	"AWD, Front"	1	
49	587438201	SCREW	"Hi-Lo, 5/16-14 X 4.10"	1	
50	532404845	PAWL, DRIVE	Drive	2	
51	586713701	FRONT COVER ASSY	"Drive, AWD, Husqvarna"	1	
52	587281101	SCREW	"Hi-Lo, 5/16 X 1.00"	1	
53	587147301	STRAP	Height Adjuster Bracket	2	
54	581351301	SPRING	"Return, Rear Transmission"	1	
55	532701037	KNOB	Ergonomic	4	
56	582261801	HEIGHT ADJUSTER	"4-Point, Right Rear"	1	
57	586920109	HEIGHT ADJUSTER	"4-Point, Left Front"	1	
58	586920111	HEIGHT ADJUSTER	"4-Point, Right Front"	1	
59	532421114	WATER CONNECTOR	Kit	1	"25, 28, 29"
60	501067001	WHEEL ASSY	"Rear, 11" "	2	
61	587251701	DUST COVER	Rear	2	
62	587232401	PINION	Rear	2	
63	587973001	PULLEY		2	
64	581334501	BOLT		2	
65	874780512	SCREW		2	
66	532427942	NUT		2	