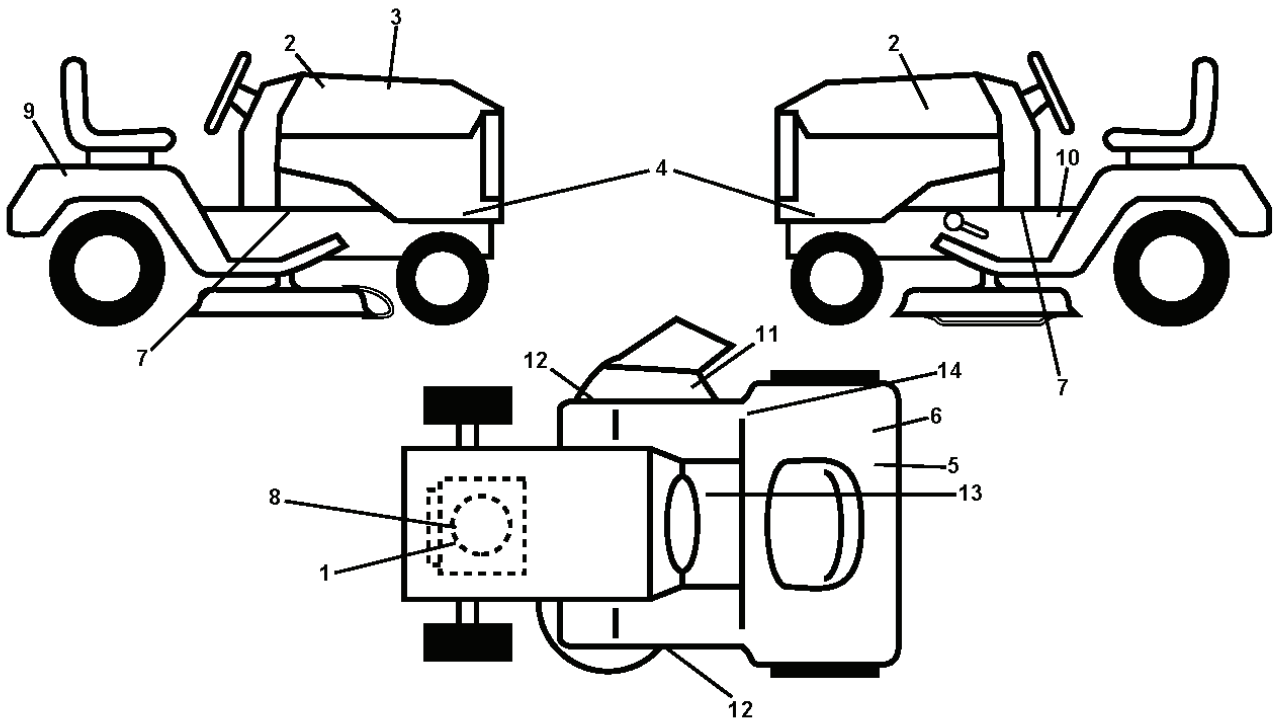
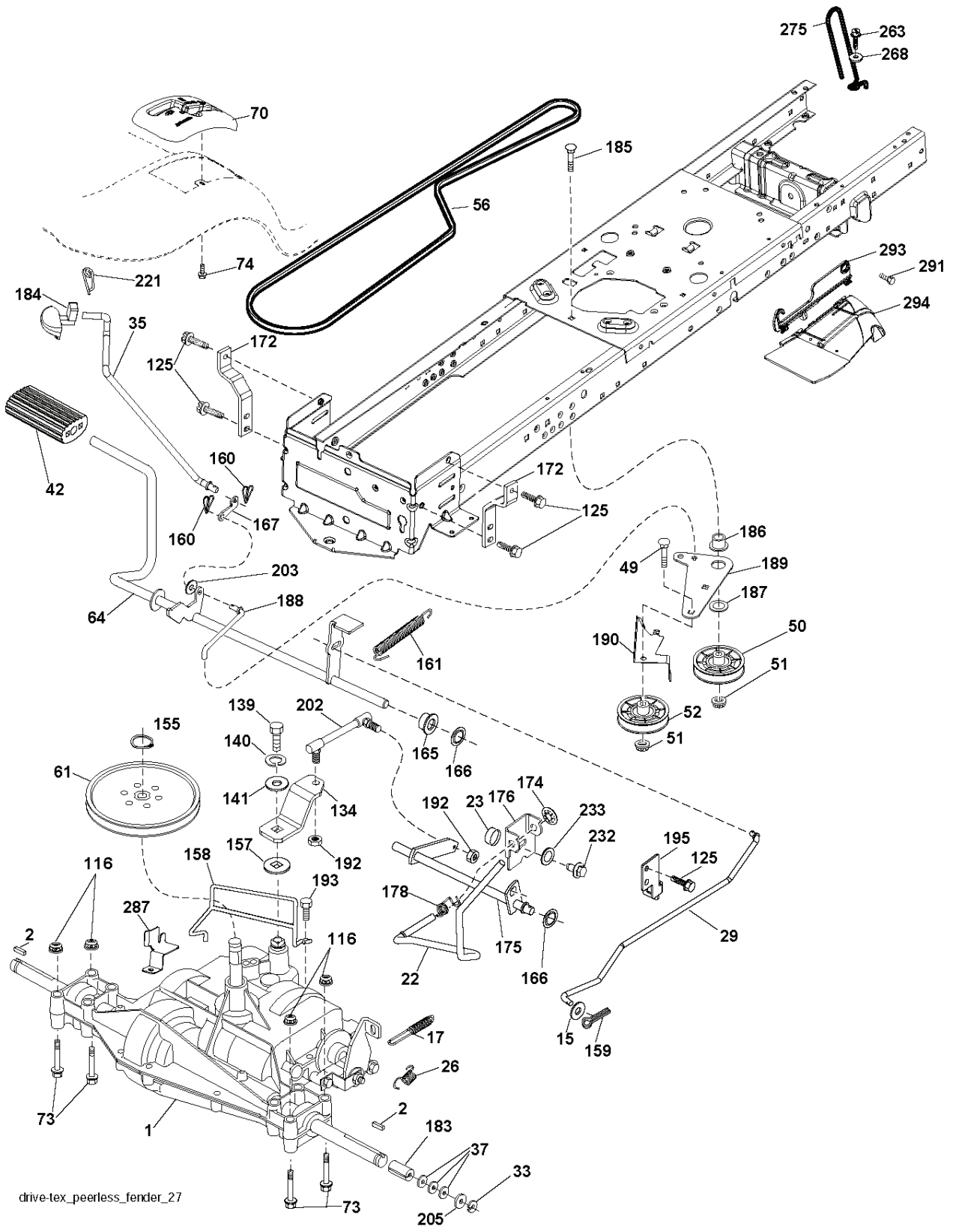


LT126, 96041008300, 2009-01

SPARE PARTS LIST

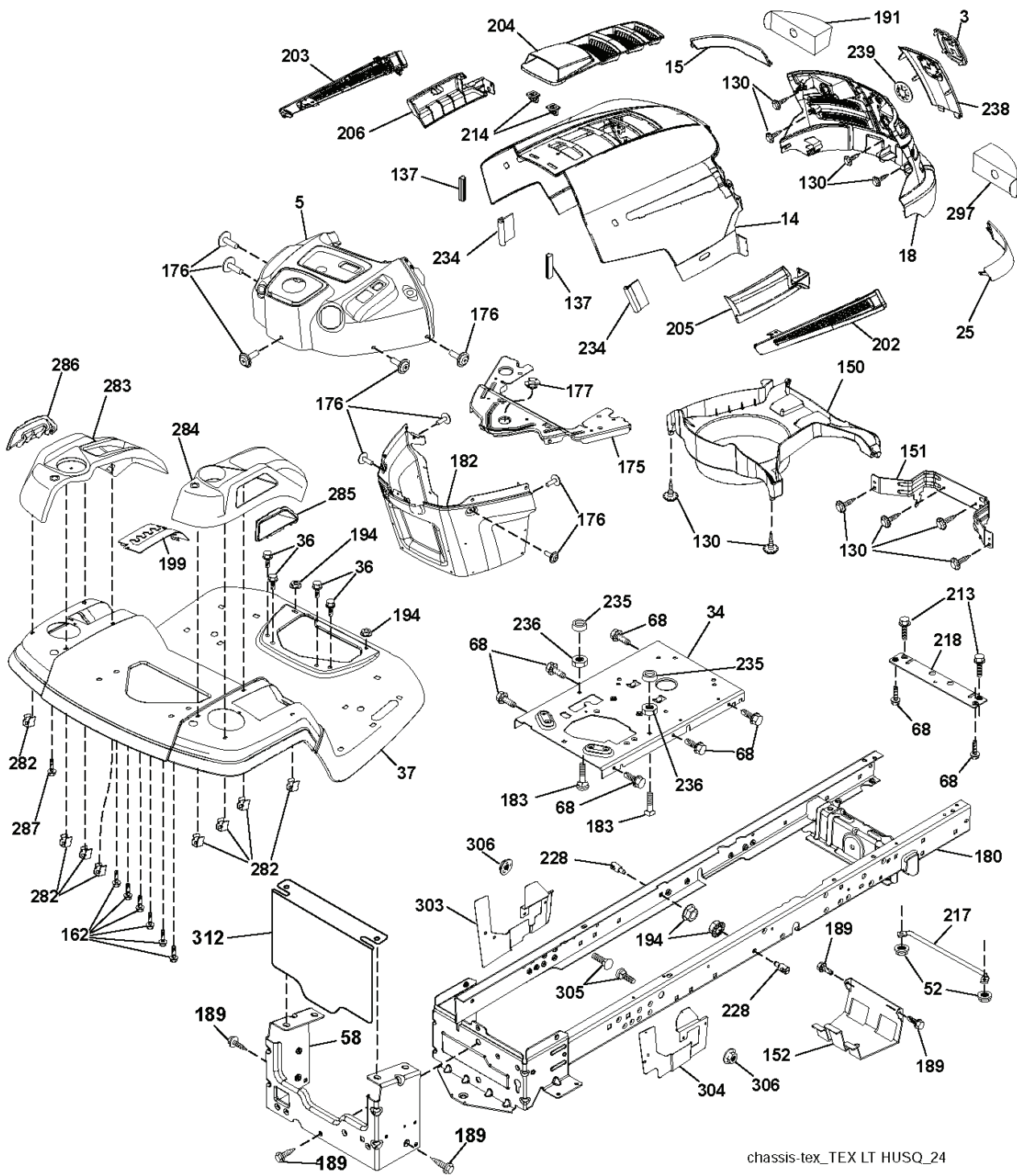


| REF. | PART NO. | DESCRIPTION | REMARK | QTY. | KIT |
|------|-----------|-------------|--------|------|-----|
| 1 | 532196841 | DECAL | | 1 | |
| 2 | 532422012 | DECAL | | 1 | |
| 3 | 532422597 | DECAL | | 1 | |
| 4 | 532422586 | DECAL | | 1 | |
| 5 | 532168869 | DECAL | | 1 | |
| 6 | 532159737 | DECAL | | 1 | |
| 7 | 532159736 | DECAL | | 1 | |
| 8 | 532417927 | DECAL | | 1 | |
| 9 | 532145005 | DECAL | | 1 | |
| 10 | 532400389 | LABEL | | 1 | |
| 11 | 532425112 | DECAL | | 1 | |
| 12 | 532421543 | DECAL | | 1 | |
| 13 | 532140837 | DECAL | | 1 | |
| 14 | 532180432 | DECAL | | 1 | |
| -- | 532162598 | DECAL | | 1 | |
| -- | 532410805 | PAD | | 1 | |
| -- | 532411056 | PAD | | 1 | |
| -- | | | | 1 | |



drive-tex_peerless_fender_27

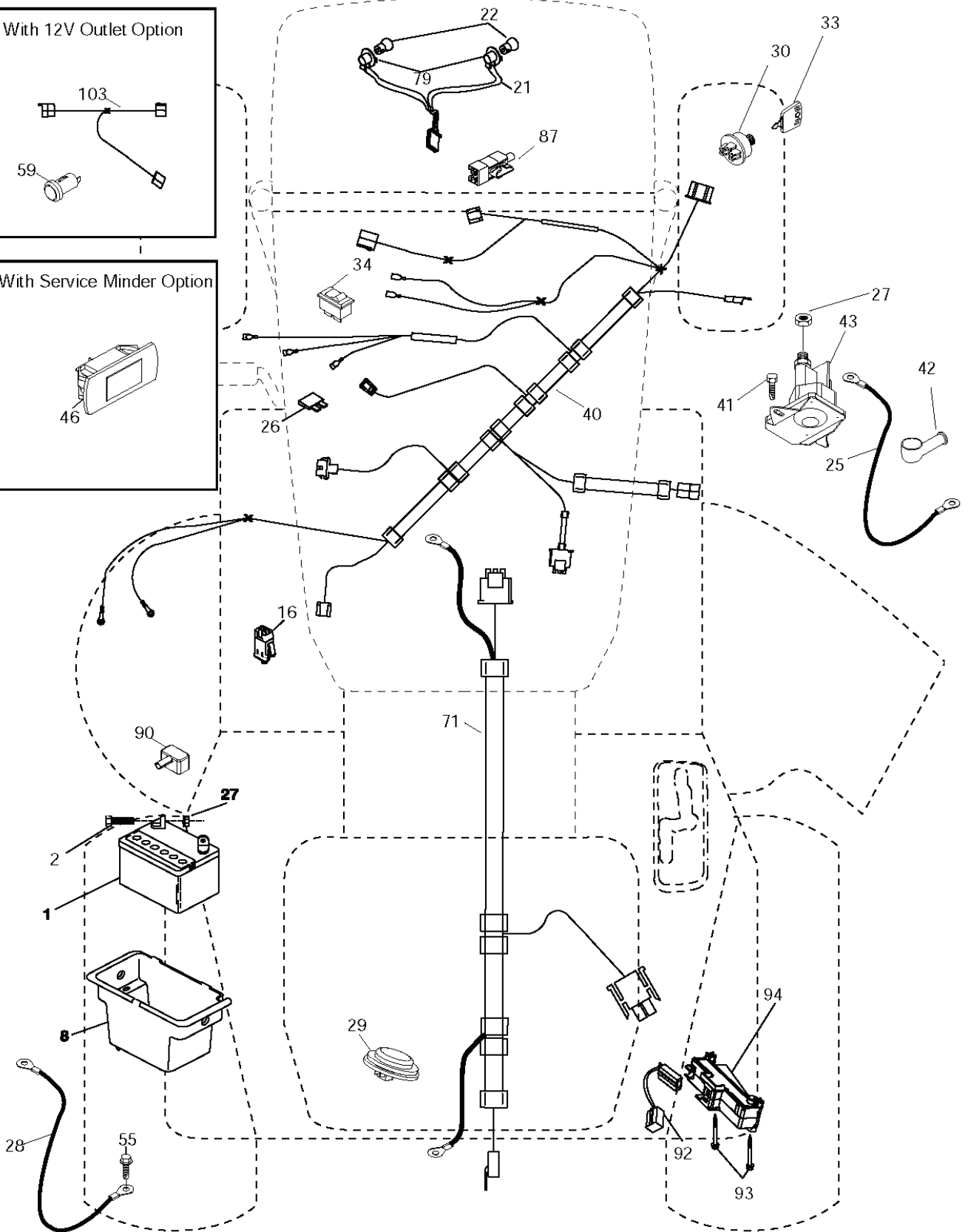
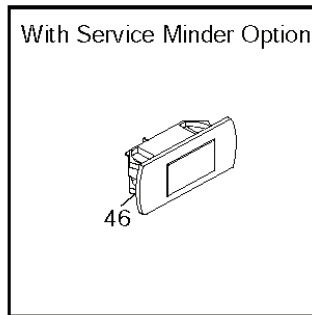
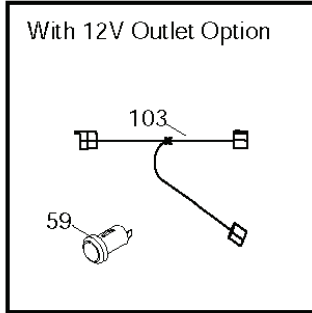
| REF. | PART NO. | DESCRIPTION | REMARK | QTY. | KIT |
|------|-----------|-----------------|-----------------------------|------|-----|
| 1 | 000000000 | W/O DESCRIPTION | Transaxle, Peerless 206-565 | 1 | |
| 2 | 532123583 | KEY | | 1 | |
| 15 | 819131316 | WASHER | | 1 | |
| 17 | 532197297 | SPRING | | 1 | |
| 22 | 532197660 | ROD | | 1 | |
| 23 | 532121274 | KNOB | | 1 | |
| 26 | 532197455 | SPRING | | 1 | |
| 29 | 532197267 | ROD | | 1 | |
| 33 | 812000001 | RETAINER RING | | 1 | |
| 35 | 532401031 | ROD | | 1 | |
| 37 | 532121749 | WASHER | | 1 | |
| 42 | 532124872 | PEDAL RUBBER | | 1 | |
| 49 | 872110614 | BOLT | | 1 | |
| 50 | 532194327 | PULLEY | | 1 | |
| 51 | 873900600 | NUT | | 1 | |
| 52 | 532194326 | PULLEY | | 1 | |
| 56 | 532408381 | BELT | | 1 | |
| 61 | 532165999 | PULLEY | | 1 | |
| 64 | 532196200 | SHAFT | | 1 | |
| 73 | 874490544 | SCREW | | 1 | |
| 116 | 873900500 | NUT | | 1 | |
| 125 | 817000512 | SCREW | | 1 | |
| 134 | 532197857 | ROD | | 1 | |
| 139 | 874550412 | BOLT | | 1 | |
| 140 | 810040400 | WASHER | | 1 | |
| 141 | 819091210 | WASHER | | 1 | |
| 155 | 812000028 | CLIP | | 1 | |
| 157 | 532105701 | WASHER | | 1 | |
| 158 | 532194352 | BELT GUIDE | | 1 | |
| 159 | 876020412 | SPLIT PIN | | 1 | |
| 160 | 532169484 | PIN | | 1 | |
| 161 | 532105709 | SPRING | | 1 | |
| 165 | 532196212 | BUSHING | | 1 | |
| 166 | 532197290 | NUT | | 1 | |
| 167 | 532405257 | LATCH | | 1 | |
| 172 | 532197657 | STRAP | | 1 | |
| 174 | 532197289 | NUT | | 1 | |
| 175 | 532197858 | SHAFT | | 1 | |
| 176 | 532196214 | ARM | | 1 | |
| 178 | 532197456 | SPRING | | 1 | |
| 183 | 532137057 | SPACER | | 1 | |
| 184 | 532409747 | KNOB | | 1 | |
| 185 | 872110622 | BOLT | | 1 | |
| 186 | 532194321 | SPACER | | 1 | |
| 187 | 819133210 | WASHER | | 1 | |
| 188 | 532194323 | LINK | | 1 | |
| 189 | 532194317 | PLATE | | 1 | |
| 190 | 532194318 | BELT GUIDE | | 1 | |
| 192 | 532150360 | NUT | | 1 | |
| 193 | 817060512 | SCREW | | 1 | |
| 195 | 532197332 | BRACKET | | 1 | |
| 202 | 532197859 | LINK | | 1 | |
| 203 | 819111116 | WASHER | | 1 | |
| 205 | 532121748 | WASHER | | 1 | |
| 221 | 532403187 | SPRING | | 1 | |
| 232 | 874780716 | BOLT | | 1 | |
| 233 | 532405296 | WASHER | | 1 | |
| 263 | 817000612 | SCREW | | 1 | |
| 268 | 819131614 | WASHER | | 1 | |
| 275 | 532182402 | PROTECTOR | | 1 | |
| 287 | 532421648 | KEEPER | | 1 | |
| 291 | 532170165 | BOLT | | 1 | |
| 293 | 532422548 | HINGE | | 1 | |
| 294 | 532422549 | PIVOT | | 1 | |



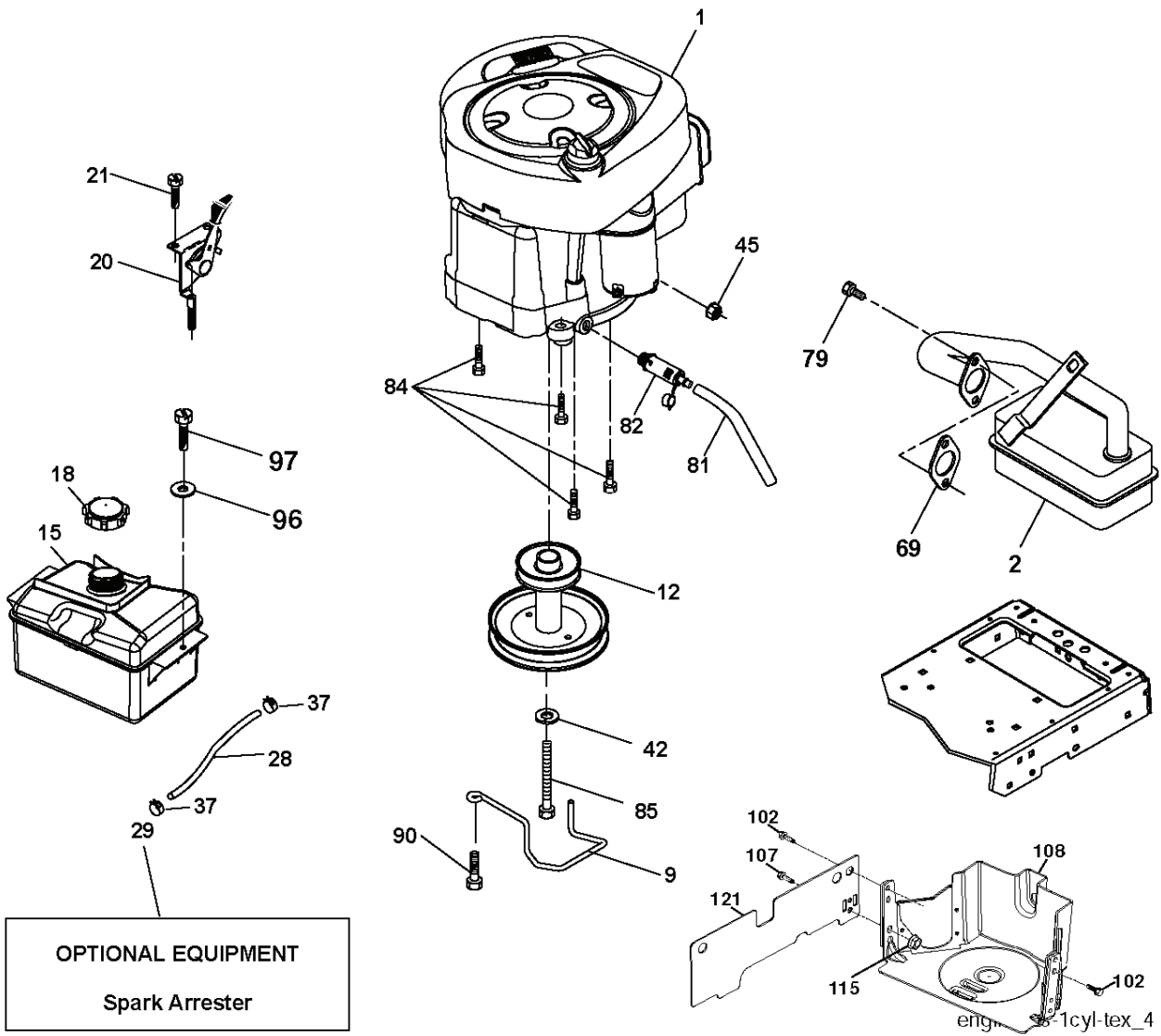
chassis-tex_TEX LT HUSQ_24

| REF. | PART NO. | DESCRIPTION | REMARK | QTY. | KIT |
|------|-----------|---------------|--------|------|-----|
| 3 | 532405012 | LOGOTYPE | | 1 | |
| 5 | 532407592 | PANEL | | 1 | |
| 14 | 532411073 | HOOD | | 1 | |
| 15 | 532411079 | LENS | | 1 | |
| 18 | 532406667 | FRONT COVER | | 1 | |
| 25 | 532411078 | LENS | | 1 | |
| 34 | 532196125 | PLATE | | 1 | |
| 36 | 817060512 | SCREW | | 1 | |
| 37 | 532416307 | FENDER | | 1 | |
| 52 | 873680500 | NUT | | 1 | |
| 58 | 532412280 | PLATE | | 1 | |
| 68 | 817490508 | SCREW | | 1 | |
| 130 | 532416358 | SCREW | | 1 | |
| 137 | 532407590 | DAMPING PIECE | | 1 | |
| 150 | 532406662 | AIR DUCT | | 1 | |
| 151 | 532407807 | BRACKET | | 1 | |
| 152 | 532199535 | SHIELD | | 1 | |
| 162 | 532142432 | SCREW | | 1 | |
| 175 | 532199472 | PLATE | | 1 | |
| 176 | 532400776 | SCREW | | 1 | |
| 177 | 532195228 | BUSHING | | 1 | |
| 180 | 532414685 | CHASSIS | | 1 | |
| 182 | 532407176 | DASH | | 1 | |
| 183 | 874780520 | BOLT | | 1 | |
| 189 | 817000512 | SCREW | | 1 | |
| 191 | 532416500 | INSERT | | 1 | |
| 194 | 873900500 | NUT | | 1 | |
| 199 | 532413485 | PLATE | | 1 | |
| 202 | 532411075 | AIR CONDUCTOR | | 1 | |
| 203 | 532411074 | AIR CONDUCTOR | | 1 | |
| 204 | 532411116 | AIR CONDUCTOR | | 1 | |
| 205 | 532411076 | FENDER | | 1 | |
| 206 | 532411077 | FENDER | | 1 | |
| 213 | 874760512 | BOLT | | 1 | |
| 214 | 532199145 | CLIP | | 1 | |
| 217 | 532409167 | ROD | | 1 | |
| 218 | 532196395 | PLATE | | 1 | |
| 228 | 532195161 | STUD | | 1 | |
| 234 | 532404742 | DAMPING PIECE | | 1 | |
| 235 | 532406129 | SPACER | | 1 | |
| 236 | 873930500 | NUT | | 1 | |
| 238 | 532411119 | FRONT COVER | | 1 | |
| 239 | 532404883 | CLIP | | 1 | |
| 282 | 532414110 | CLIP | | 1 | |
| 283 | 532416316 | CONSOLE | | 1 | |
| 284 | 532416314 | CONSOLE | | 1 | |
| 285 | 532416315 | CONSOLE | | 1 | |
| 286 | 532416317 | CONSOLE | | 1 | |
| 287 | 817600406 | SCREW | | 1 | |
| 297 | 532406665 | INSERT | | 1 | |
| 303 | 532425151 | SHIELD | | 1 | |
| 304 | 532425152 | SHIELD | | 1 | |
| 305 | 872110606 | BOLT | | 1 | |
| 306 | 873900600 | NUT | | 1 | |
| 312 | 532420960 | SHIELD | | 1 | |
| -- | 532411115 | PLUG | | 1 | |

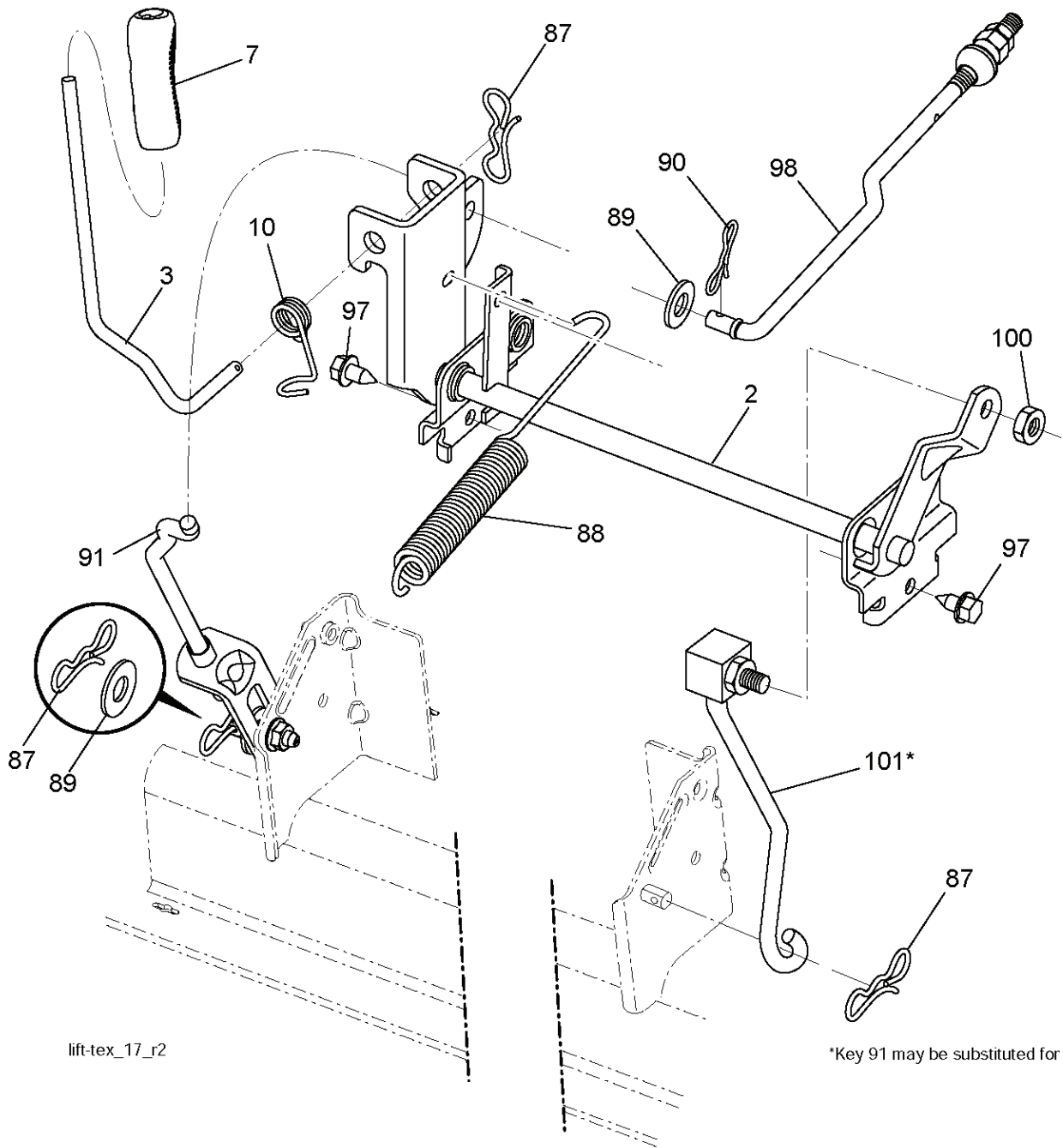
T02S



| REF. | PART NO. | DESCRIPTION | REMARK | QTY. | KIT |
|------|-----------|--------------------------------|--------|------|-----|
| 1 | 532144924 | BATTERY | | 1 | |
| 2 | 874760412 | BOLT | | 1 | |
| 8 | 532193228 | BOX | | 1 | |
| 16 | 532176138 | MICRO SWITCH | | 1 | |
| 21 | 532400252 | HARNESS | | 1 | |
| 22 | 532004152 | BULB | | 1 | |
| 25 | 532412894 | CABLE.STARTER.GGA.BL/R*SUBS/2* | | 1 | |
| 26 | 532175158 | FUSE | | 1 | |
| 27 | 873510400 | NUT | | 1 | |
| 28 | 532198885 | CABLE | | 1 | |
| 29 | 532401545 | SWITCH | | 1 | |
| 30 | 532193350 | IGNITION MODULE | | 1 | |
| 33 | 532411935 | KEY | | 1 | |
| 34 | 532110712 | SWITCH | | 1 | |
| 40 | 532401098 | CABLE | | 1 | |
| 41 | 817720408 | SCREW | | 1 | |
| 42 | 532131563 | COVER | | 1 | |
| 43 | 532192507 | SOLENOID | | 1 | |
| 55 | 817060512 | SCREW | | 1 | |
| 71 | 532400449 | CABLE | | 1 | |
| 79 | 532175242 | HOLDER | | 1 | |
| 87 | 532197802 | SWITCH | | 1 | |
| 90 | 532400725 | COVER | | 1 | |
| 92 | 532196615 | CABLE ASSY | | 1 | |
| 93 | 532192540 | SCREW | | 1 | |
| 94 | 532191834 | MODULE.REVERSE.ROS | | 1 | |



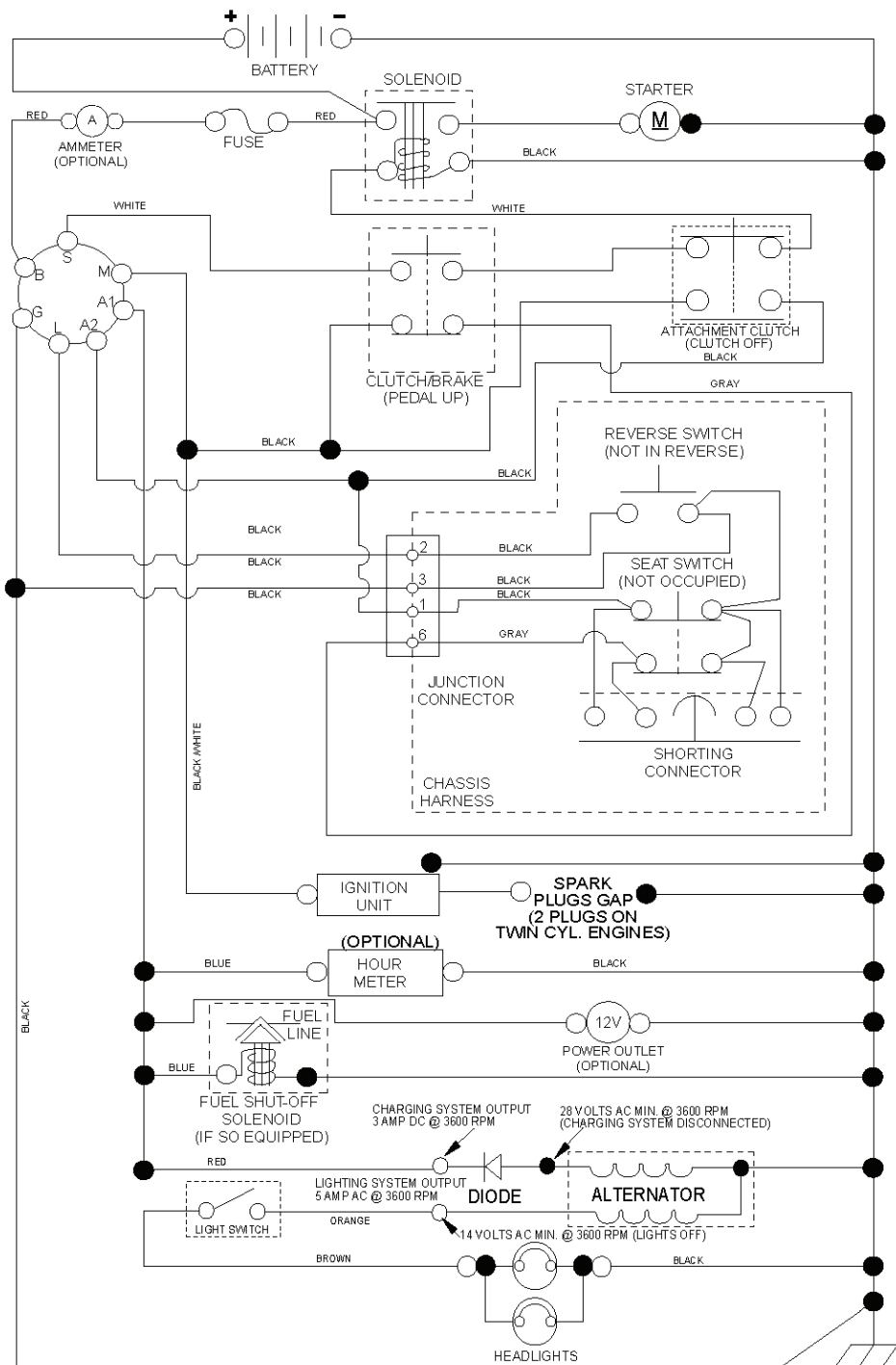
| REF. | PART NO. | DESCRIPTION | REMARK | QTY. | KIT |
|------|-----------|--------------------|-----------------------------------|------|-----|
| 1 | 000000000 | W/O DESCRIPTION | Engine Briggs Model No. 219807 | 1 | |
| 2 | 532179758 | MUFFLER | | 1 | |
| 9 | 532194319 | BELT GUIDE | | 1 | |
| 12 | 532140186 | PULLEY | | 1 | |
| 15 | 532407545 | FUEL TANK | | 1 | |
| 18 | 532197725 | PLUG | | 1 | |
| 20 | 532183897 | CONTROL | | 1 | |
| 21 | 532416358 | SCREW | | 1 | |
| 28 | 532137040 | HOSE | | 1 | |
| 29 | 532137180 | SPARK ARRESTER KIT | | 1 | |
| 37 | 532123487 | HOSE CLAMP | | 1 | |
| 42 | 810040700 | WASHER | | 1 | |
| 45 | 873510400 | NUT | | 1 | |
| 69 | 532165291 | GASKET | | 1 | |
| 79 | 532192334 | SCREW | | 1 | |
| 81 | 532148456 | TUBE | | 1 | |
| 82 | 532181654 | PLUG | | 1 | |
| 84 | 817060620 | SCREW | | 1 | |
| 85 | 532173937 | BOLT | | 1 | |
| 90 | 817000616 | SCREW | | 1 | |
| 96 | 819091416 | WASHER | | 1 | |
| 97 | 817670412 | SCREW | | 1 | |
| 102 | 817000512 | SCREW | | 1 | |
| 107 | 532137729 | SCREW | | 1 | |
| 108 | 532423041 | COVER | | 1 | |
| 115 | 532423062 | NUT | | 1 | |
| 121 | 532420894 | SHIELD | | 1 | |



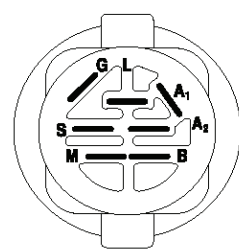
lift-tex_17_r2

*Key 91 may be substituted for Ke

| REF. | PART NO. | DESCRIPTION | REMARK | QTY. | KIT |
|------|-----------|-------------|--------|------|-----|
| 2 | 532195223 | SHAFT | | 1 | |
| 3 | 532195231 | LEVER | | 1 | |
| 7 | 532411555 | GRIP | | 1 | |
| 10 | 532196314 | SPRING | | 1 | |
| 87 | 532194209 | SPRING | | 1 | |
| 88 | 532410710 | SPRING | | 1 | |
| 89 | 819191912 | WASHER | | 1 | |
| 90 | 532194208 | PIN | | 1 | |
| 91 | 532195181 | LINK | | 1 | |
| 97 | 817000612 | SCREW | | 1 | |
| 98 | 532195264 | LINK | | 1 | |
| 100 | 873930600 | NUT | | 1 | |
| 101 | 532407003 | LINK | | 1 | |

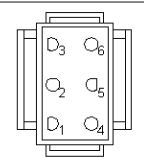


NOTE
 YOUR TRACTOR IS EQUIPPED WITH A SPECIAL ALTERNATOR SYSTEM. THE LIGHTS ARE NOT CONNECTED TO THE BATTERY, BUT HAVE THEIR OWN ELECTRICAL SOURCE. BECAUSE OF THIS, THE BRIGHTNESS OF THE LIGHTS WILL CHANGE WITH ENGINE SPEED. AT IDLE THE LIGHTS WILL DIM. AS THE ENGINE IS SPEEDED UP, THE LIGHTS WILL BECOME THEIR BRIGHTEST.

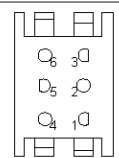


IGNITION SWITCH

| POSITION | CIRCUIT | "MAKE" |
|--------------|------------|--------|
| OFF | M+G+A1 | |
| RUN/OVERRIDE | B+A1 | |
| RUN | B+A1 | L+A2 |
| START | B + S + A1 | |



CHASSIS HARNESS CONNECTOR (MATING SIDE)



DASH HARNESS CONNECTOR (MATING SIDE)

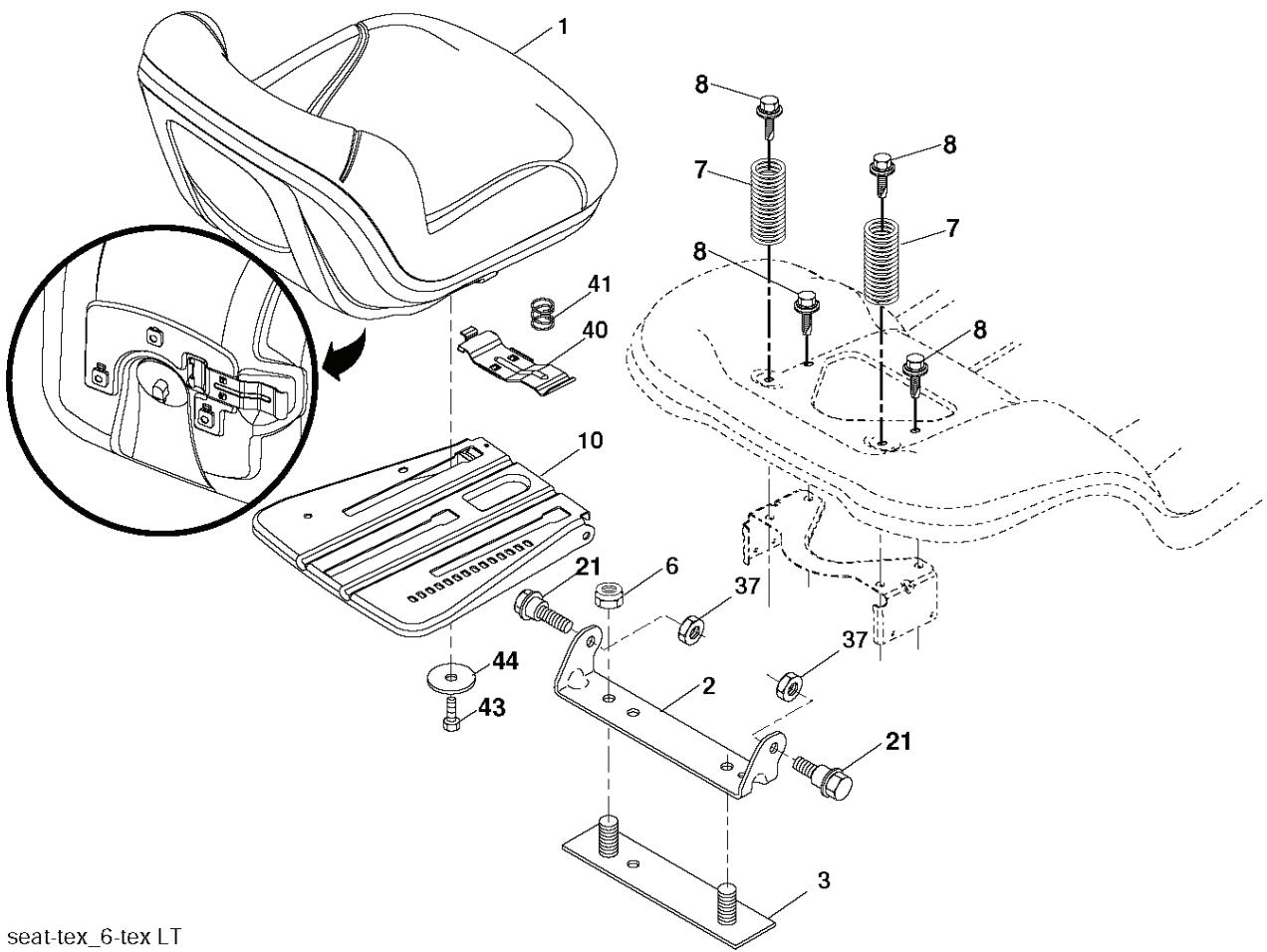
WIRING INSULATED CLIPS
 NOTE: IF WIRING INSULATED CLIPS WERE REMOVED FOR SERVICING OF UNIT, THEY SHOULD BE RE-INSTALLED TO PROPERLY SECURE YOUR WIRING.



NON-REMOVABLE CONNECTIONS

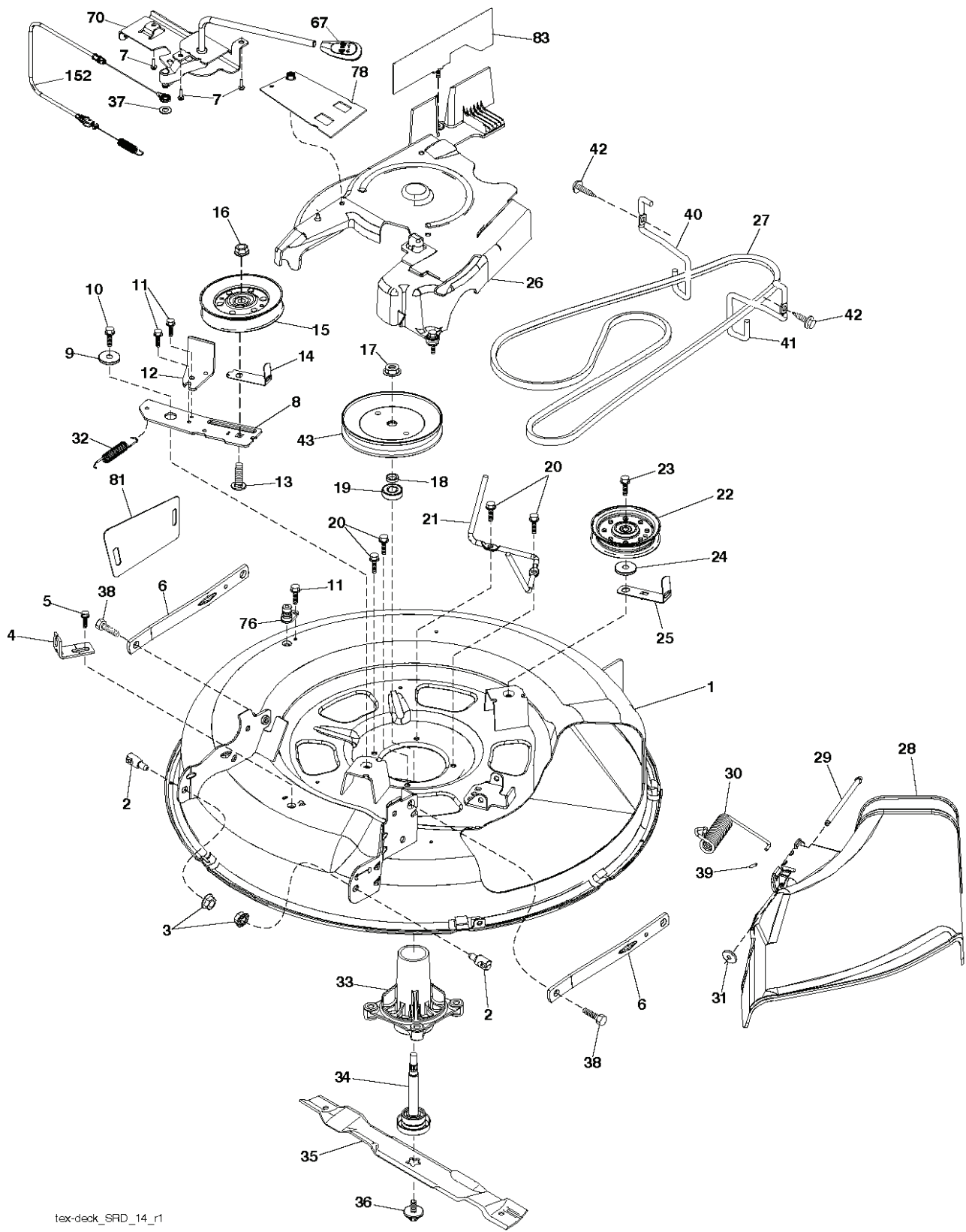


REMOVABLE CONNECTIONS

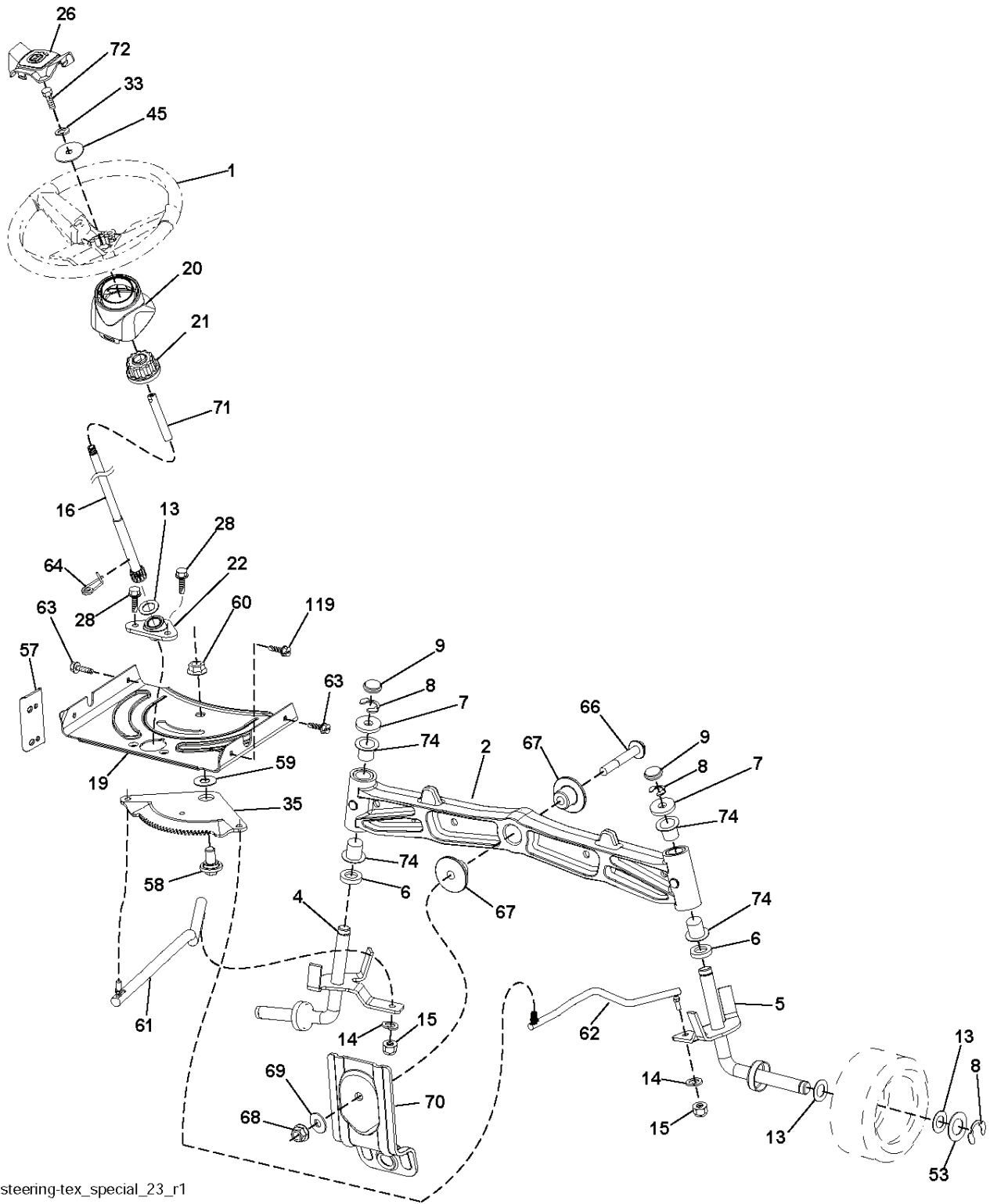


seat-tex_6-tex LT

| REF. | PART NO. | DESCRIPTION | REMARK | QTY. | KIT |
|------|-----------|-------------|--------|------|-----|
| 1 | 532197518 | SEAT | | 1 | |
| 2 | 532180166 | BRACKET | | 1 | |
| 3 | 532140675 | STRAP | | 1 | |
| 6 | 873800600 | NUT | | 1 | |
| 7 | 532124181 | SPRING | | 1 | |
| 8 | 532171877 | BOLT | | 1 | |
| 10 | 532196977 | PLATE | | 1 | |
| 21 | 532171852 | BOLT | | 1 | |
| 37 | 873800500 | LOCK NUT | | 1 | |
| 40 | 532197661 | HANDLE | | 1 | |
| 41 | 532198200 | SPRING | | 1 | |
| 43 | 874760612 | BOLT | | 1 | |
| 44 | 819133812 | WASHER | | 1 | |

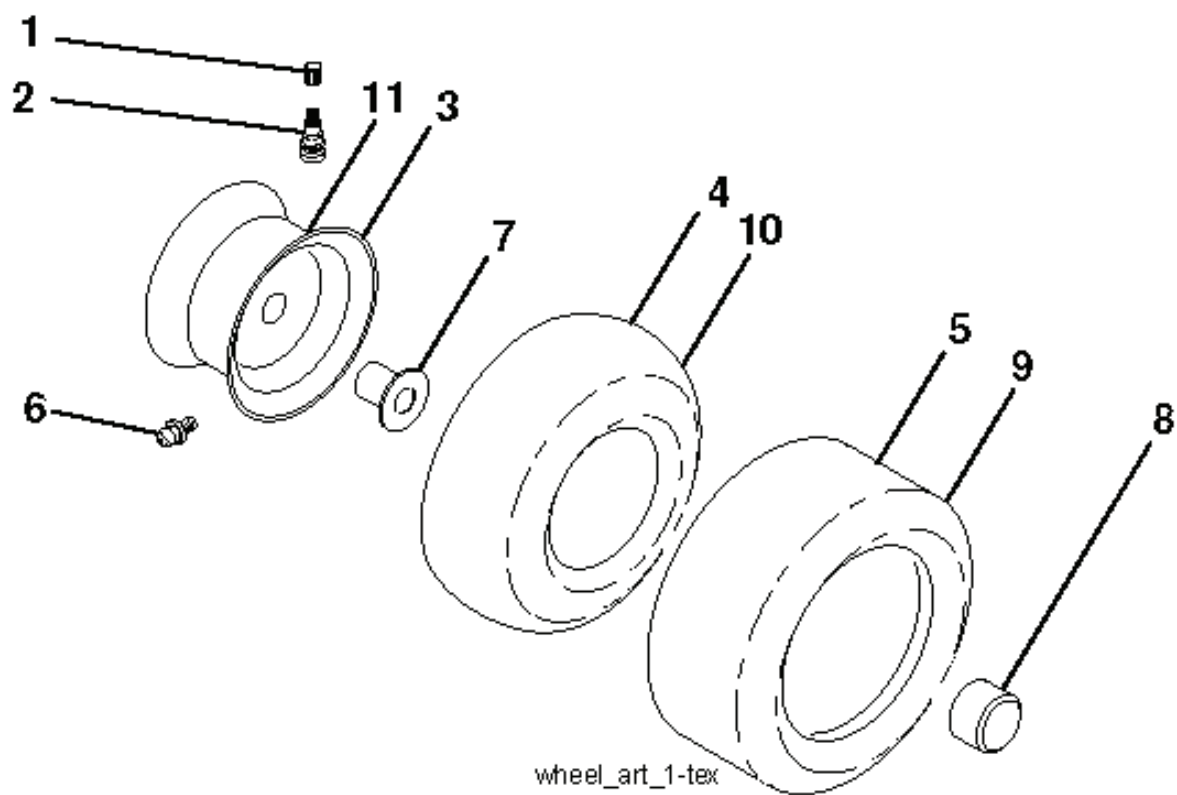


| REF. | PART NO. | DESCRIPTION | REMARK | QTY. | KIT |
|------|-----------|-----------------|---|------|-----|
| 1 | 532419272 | CUTTING DECK | | 1 | |
| 2 | 532195161 | STUD | | 1 | |
| 3 | 873900500 | NUT | | 1 | |
| 4 | 532417645 | BRACKET | | 1 | |
| 5 | 817000510 | BOLT | | 1 | |
| 6 | 532418863 | ARM | | 1 | |
| 7 | 532416358 | SCREW | | 1 | |
| 8 | 532420252 | ARM | | 1 | |
| 9 | 532199092 | SPACER | | 1 | |
| 10 | 817000616 | SCREW | | 1 | |
| 11 | 532137729 | SCREW | | 1 | |
| 12 | 532199470 | ARM | | 1 | |
| 13 | 872110612 | BOLT | | 1 | |
| 14 | 532156085 | BELT GUIDE | | 1 | |
| 15 | 532146763 | PULLEY | | 1 | |
| 16 | 873900600 | NUT | | 1 | |
| 17 | 532400234 | NUT | | 1 | |
| 18 | 532187690 | WASHER | | 1 | |
| 19 | 532110485 | BEARING | | 1 | |
| 20 | 532173984 | SCREW | | 1 | |
| 21 | 532416910 | BELT GUARD | | 1 | |
| 22 | 532193198 | PULLEY | | 1 | |
| 23 | 817490628 | SCREW | | 1 | |
| 24 | 819132012 | WASHER | | 1 | |
| 25 | 532420253 | BELT GUARD | | 1 | |
| 26 | 532432466 | COVER | | 1 | |
| 27 | 532419271 | BELT | | 1 | |
| 28 | 532424769 | DEFLECTOR | | 1 | |
| 29 | 532420895 | HINGE PIN | | 1 | |
| 30 | 532197026 | TORSION SPRING | | 1 | |
| 31 | 532110452 | NUT | | 1 | |
| 32 | 532401872 | SPRING | | 1 | |
| 33 | 532187281 | BEARING HOUSING | | 1 | |
| 34 | 532192872 | SHAFT ASSY | | 1 | |
| 35 | 532419273 | RIDE ON BLADE | | 1 | |
| 36 | 532193003 | SCREW | | 1 | |
| 37 | 819131316 | WASHER | | 1 | |
| 38 | 532196539 | BOLT | | 1 | |
| 39 | 532105304 | HUB CAP | | 1 | |
| 40 | 532419270 | BELT GUARD | | 1 | |
| 41 | 532419265 | BELT GUARD | | 1 | |
| 42 | 817000612 | SCREW | | 1 | |
| 43 | 532416877 | PULLEY | | 1 | |
| 67 | 532403012 | HANDLE | | 1 | |
| 70 | 532401246 | CLUTCH | | 1 | |
| 76 | 532415598 | HOSE COUPLING | | 1 | |
| 78 | 532422566 | GUARD | | 1 | |
| 81 | 532425367 | SHIELD | | 1 | |
| 152 | 532408714 | CABLE | | 1 | |
| -- | 532416405 | COUPLING | | 1 | |
| -- | 532192870 | SPINDLE | Mandrel Assembly (Includes Housing, Shaft Assembly, And Bearing Only - Pulley/ Nut/Washer And Blade Bolt/ Washers Not Included) | 1 | |
| -- | 532421696 | CUTTING DECK | | 1 | |
| 83 | 532432467 | SHIELD | | 1 | |



steering-tex_special_23_r1

| REF. | PART NO. | DESCRIPTION | REMARK | QTY. | KIT |
|------|-----------|----------------------|--------|------|-----|
| 1 | 532416480 | STEERING WHEEL | | 1 | |
| 2 | 532418168 | AXLE | | 1 | |
| 4 | 532416845 | SPINDLE | | 1 | |
| 5 | 532416846 | SPINDLE | | 1 | |
| 6 | 532124931 | WASHER | | 1 | |
| 7 | 532121748 | WASHER | | 1 | |
| 8 | 812000029 | RETAINER RING | | 1 | |
| 9 | 532121232 | HUB CAP | | 1 | |
| 13 | 532121749 | WASHER | | 1 | |
| 14 | 810040600 | WASHER | | 1 | |
| 15 | 873540600 | NUT | | 1 | |
| 16 | 532196074 | SHAFT | | 1 | |
| 19 | 532194729 | PLATE | | 1 | |
| 20 | 532411139 | STEERING COLUMN TUBE | | 1 | |
| 21 | 532186737 | ADAPTER | | 1 | |
| 22 | 532194845 | BUSHING | | 1 | |
| 26 | 532415987 | KNOB | | 1 | |
| 28 | 817000612 | SCREW | | 1 | |
| 33 | 810040500 | WASHER | | 1 | |
| 35 | 532194732 | PLATE | | 1 | |
| 45 | 819113812 | WASHER | | 1 | |
| 53 | 532188967 | WASHER | | 1 | |
| 57 | 532407465 | BRACKET | | 1 | |
| 58 | 532194747 | BOLT | | 1 | |
| 59 | 532194748 | WASHER | | 1 | |
| 60 | 873971000 | NUT | | 1 | |
| 61 | 532194740 | LINK | | 1 | |
| 62 | 532194741 | LINK | | 1 | |
| 63 | 817000512 | SCREW | | 1 | |
| 64 | 532199849 | SPRING RETAINER | | 1 | |
| 66 | 871020748 | BOLT | | 1 | |
| 67 | 532194737 | BUSHING | | 1 | |
| 68 | 873900700 | NUT | | 1 | |
| 69 | 532199162 | WASHER | | 1 | |
| 70 | 532417065 | BRACKET | | 1 | |
| 71 | 532196075 | SHAFT | | 1 | |
| 72 | 874780572 | BOLT | | 1 | |
| 74 | 532124937 | BEARING COL. STRG. | | 1 | |
| 119 | 532170165 | BOLT | | 1 | |



| REF. | PART NO. | DESCRIPTION | REMARK | QTY. | KIT |
|------|-----------|--------------|--------|------|-----|
| 1 | 532059192 | CAP VALVE | | 1 | |
| 2 | 532065139 | NIPPLE | | 1 | |
| 3 | 532425261 | RIM | | 1 | |
| 4 | 532421652 | TUBE | | 1 | |
| 5 | 532123410 | TIRE | | 1 | |
| 6 | 532124957 | FITTING | | 1 | |
| 7 | 532124959 | BEARING | | 1 | |
| 8 | 532175039 | HUB CAP | | 1 | |
| 9 | 532106230 | TIRE | | 1 | |
| 10 | 532007154 | HOSE | | 1 | |
| 11 | 532425262 | RIM | | 1 | |
| -- | 532144334 | SEALING FOAM | | 1 | |
| | PART NO. | | REMARK | | KIT |