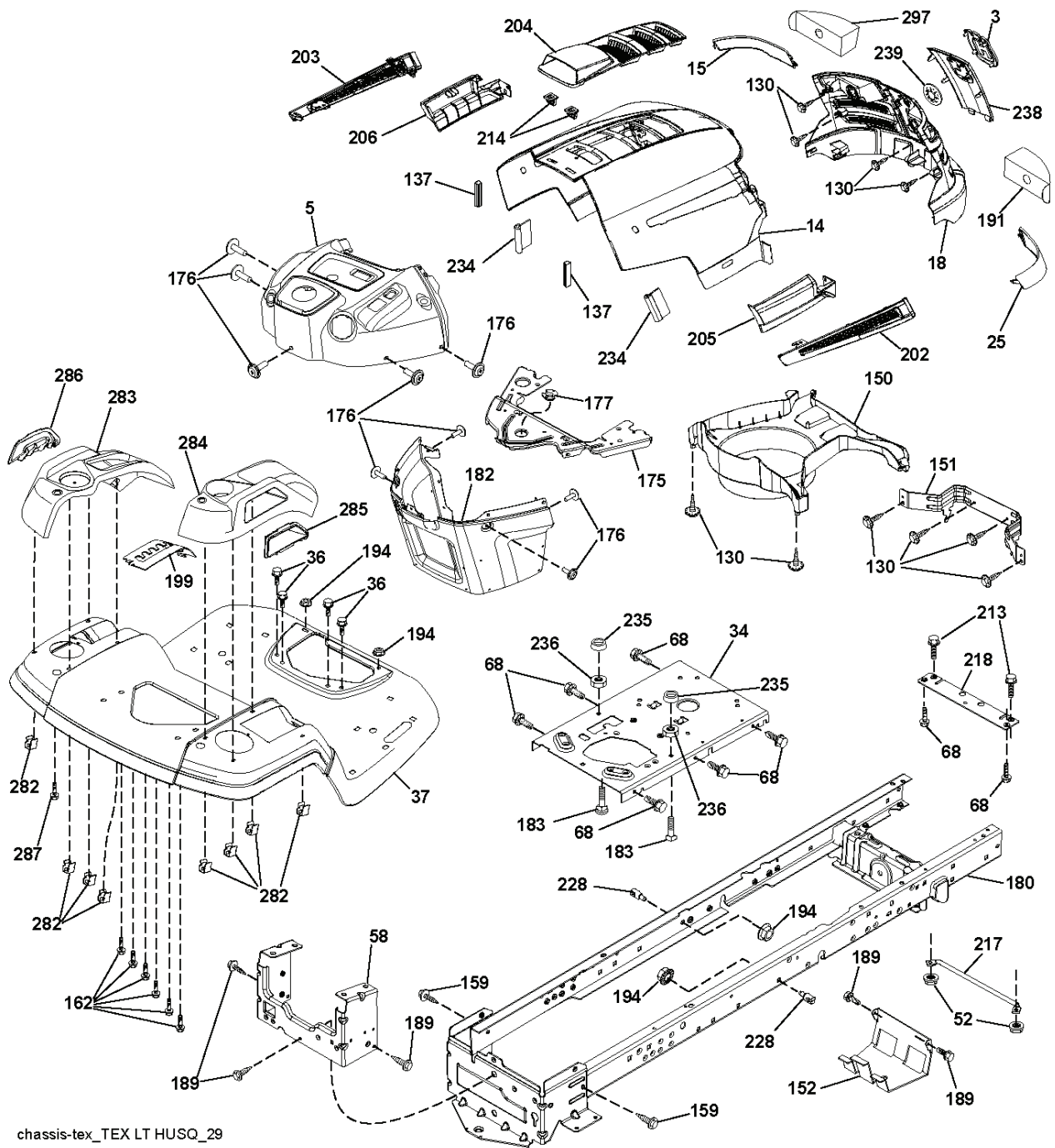


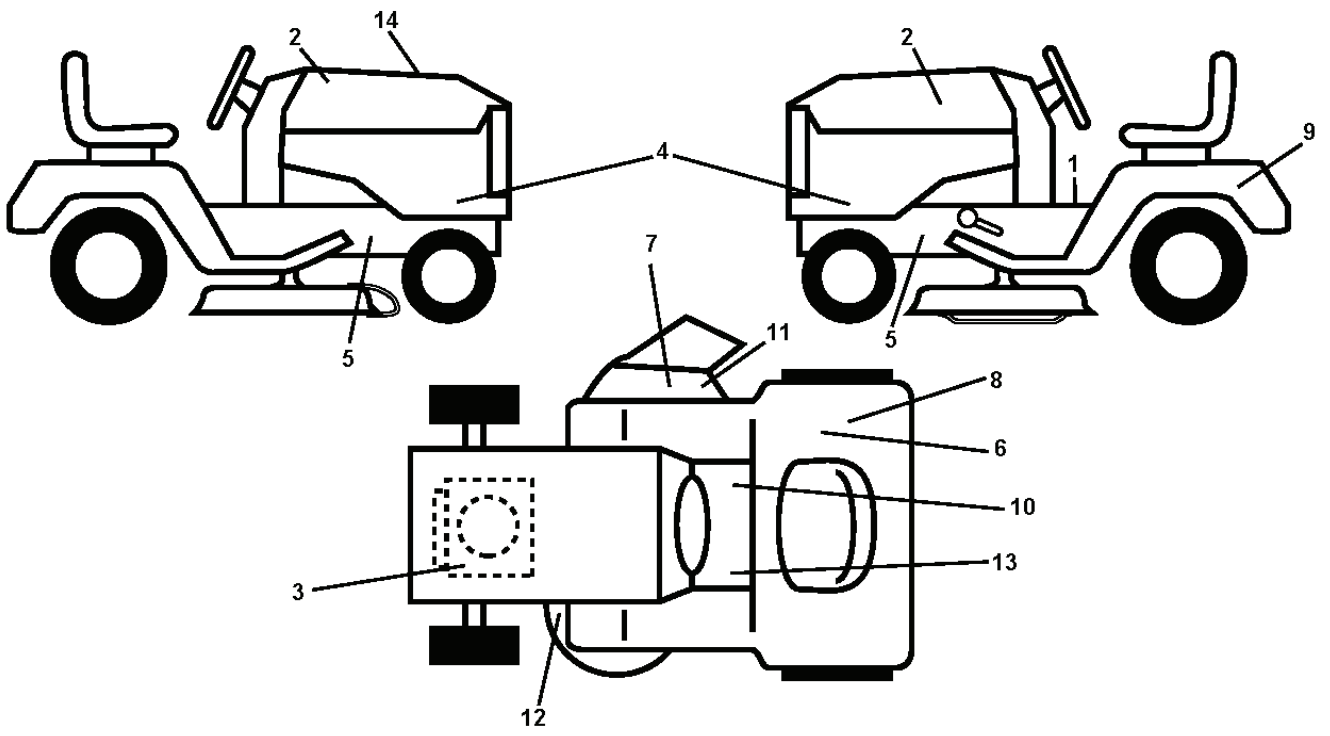
LT1597, 96041005007, 2010-03

SPARE PARTS LIST

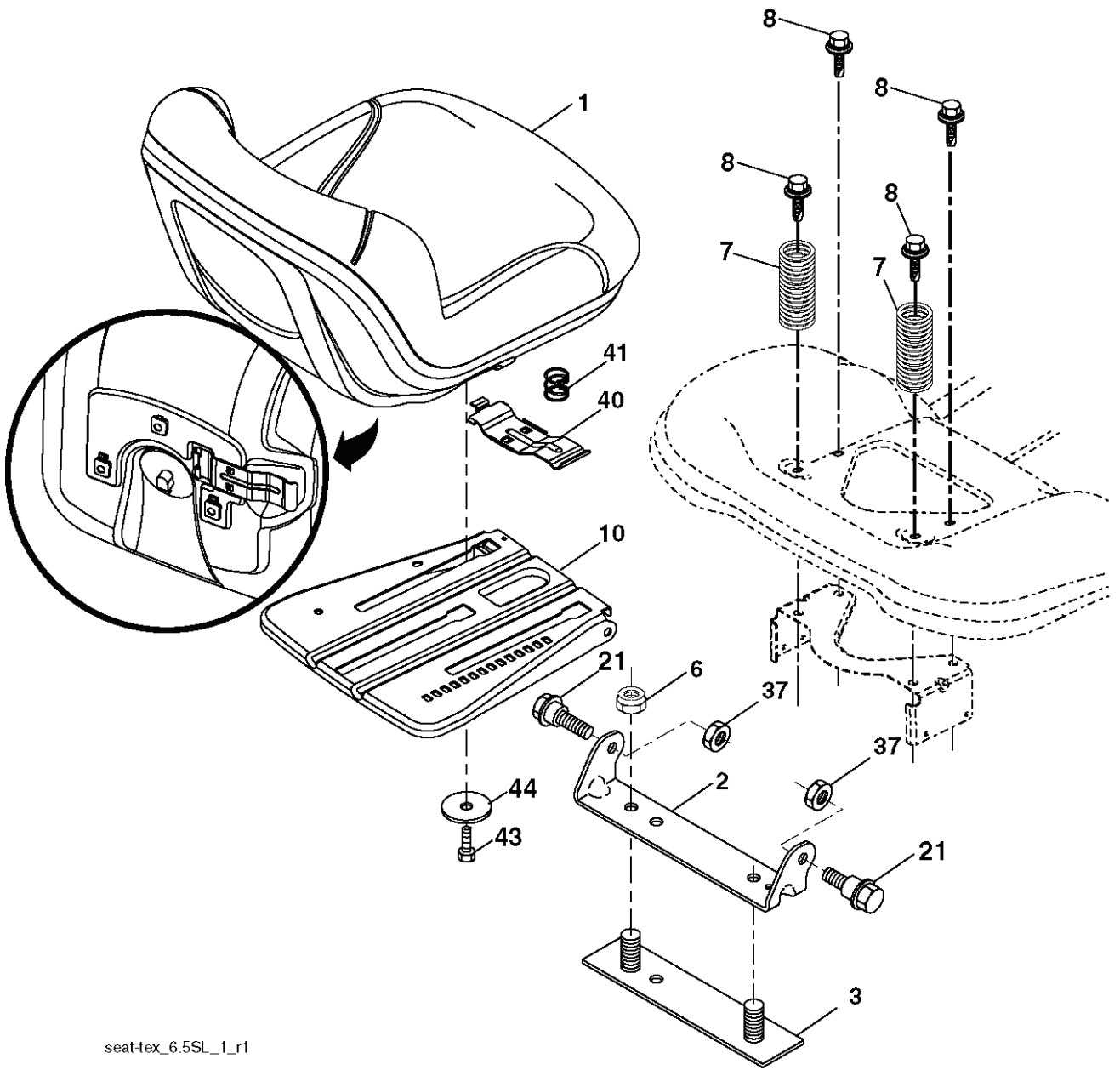


chassis-tex_TEX LT HUSQ_29

| REF. | PART NO. | DESCRIPTION | REMARK | QTY. | KIT |
|------|-----------|---------------|--------|------|-----|
| 3 | 532405012 | LOGOTYPE | | 1 | |
| 5 | 532407592 | PANEL | | 1 | |
| 14 | 532441267 | HOOD | | 1 | |
| 15 | 532411079 | LENS | | 1 | |
| 18 | 532426963 | GRILLE | | 1 | |
| 25 | 532411078 | LENS | | 1 | |
| 34 | 532196125 | PLATE | | 1 | |
| 36 | 817060512 | SCREW | | 1 | |
| 37 | 532441266 | FENDER | | 1 | |
| 52 | 873680500 | NUT | | 1 | |
| 58 | 532412280 | PLATE | | 1 | |
| 68 | 817490508 | SCREW | | 1 | |
| 130 | 532416358 | SCREW | | 1 | |
| 137 | 532407590 | DAMPING PIECE | | 1 | |
| 150 | 532407537 | AIR CONDUCTOR | | 1 | |
| 151 | 532407807 | BRACKET | | 1 | |
| 152 | 532199535 | SHIELD | | 1 | |
| 159 | 817000612 | SCREW | | 1 | |
| 162 | 532142432 | SCREW | | 1 | |
| 175 | 532199472 | PLATE | | 1 | |
| 176 | 532400776 | SCREW | | 1 | |
| 177 | 532195228 | BUSHING | | 1 | |
| 180 | 532415063 | FRAME | | 1 | |
| 182 | 532407176 | DASH | | 1 | |
| 183 | 874520520 | BOLT | | 1 | |
| 189 | 817000512 | SCREW | | 1 | |
| 191 | 532406665 | INSERT | | 1 | |
| 194 | 873900500 | NUT | | 1 | |
| 199 | 532413485 | PLATE | | 1 | |
| 202 | 532411075 | AIR CONDUCTOR | | 1 | |
| 203 | 532411074 | AIR CONDUCTOR | | 1 | |
| 204 | 532411116 | AIR CONDUCTOR | | 1 | |
| 205 | 532411076 | FENDER | | 1 | |
| 206 | 532411077 | FENDER | | 1 | |
| 213 | 874760512 | BOLT | | 1 | |
| 214 | 532199145 | CLIP | | 1 | |
| 217 | 532409167 | ROD | | 1 | |
| 218 | 532196395 | PLATE | | 1 | |
| 228 | 532195161 | STUD | | 1 | |
| 234 | 532404742 | DAMPING PIECE | | 1 | |
| 235 | 532406129 | SPACER | | 1 | |
| 236 | 873930500 | NUT | | 1 | |
| 238 | 532411119 | FRONT COVER | | 1 | |
| 239 | 532404883 | CLIP | | 1 | |
| 282 | 532414110 | CLIP | | 1 | |
| 283 | 583539301 | CONSOLE | | 1 | |
| 284 | 532416314 | CONSOLE | | 1 | |
| 285 | 532416315 | CONSOLE | | 1 | |
| 286 | 532416317 | CONSOLE | | 1 | |
| 287 | 817600406 | SCREW | | 1 | |
| 297 | 532416500 | INSERT | | 1 | |

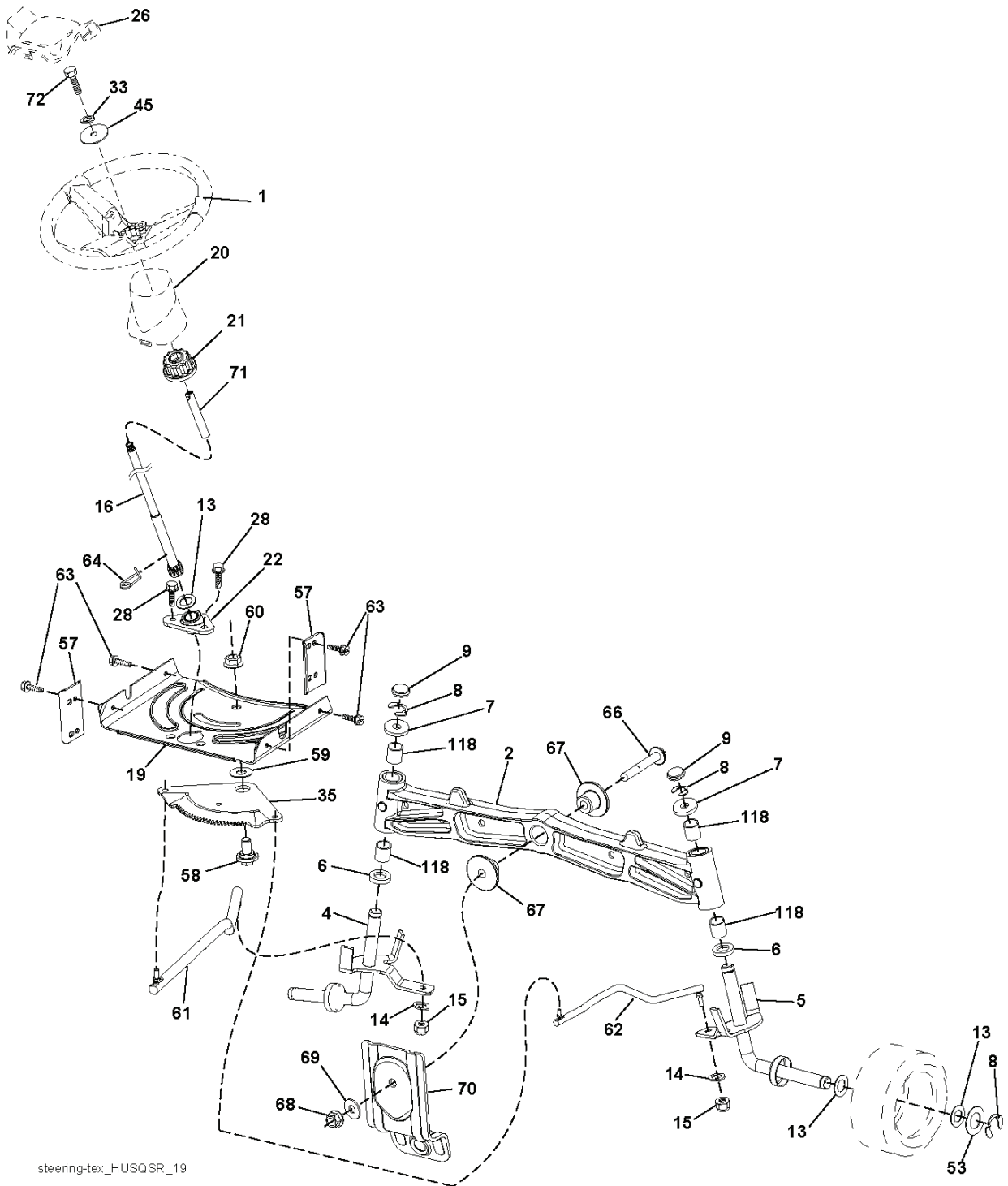


| REF. | PART NO. | DESCRIPTION | REMARK | QTY. | KIT |
|------|-----------|----------------------------|--------|------|-----|
| 1 | 532400389 | LABEL | | 1 | |
| 2 | 532429196 | DECAL | | 1 | |
| 3 | 532196841 | DECAL | | 1 | |
| 4 | 532443848 | DECAL | | 1 | |
| 5 | 532159736 | DECAL | | 1 | |
| 6 | 532124433 | DECAL | | 1 | |
| 7 | 532182166 | DECAL | | 1 | |
| 8 | 532168869 | DECAL | | 1 | |
| 9 | 532145005 | DECAL | | 1 | |
| 10 | 532140837 | DECAL | | 1 | |
| 11 | 532196357 | DECALC."DANGER DEFLECTEUR" | | 1 | |
| 12 | 532194302 | DECALC.SCHEMA MONTAGE | | 1 | |
| 13 | 532159737 | DECAL | | 1 | |
| 14 | 532432042 | DECAL | | 1 | |
| -- | 532410805 | PAD | | 1 | |
| -- | 532411056 | PAD | | 1 | |
| -- | 532162598 | DECAL | | 1 | |



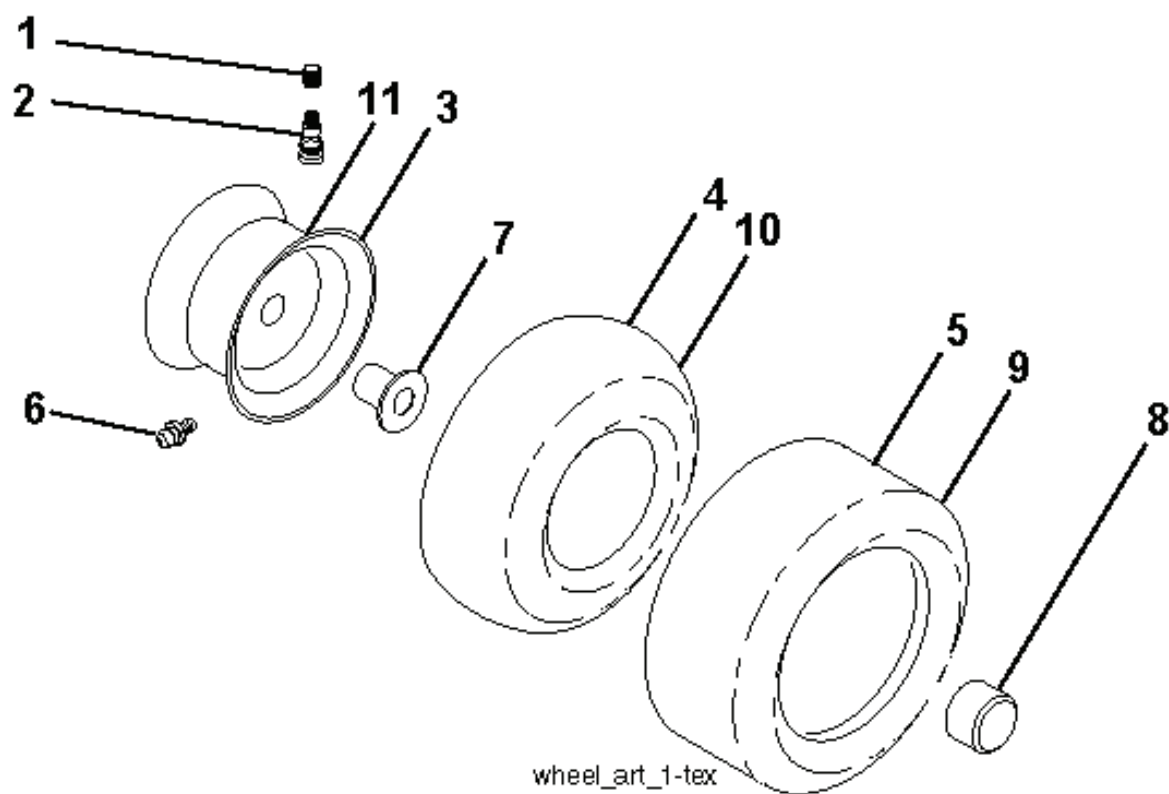
seatHex_6.5SL_1_r1

| REF. | PART NO. | DESCRIPTION | REMARK | QTY. | KIT |
|------|-----------|-------------|--------|------|-----|
| 1 | 532424067 | SEAT | | 1 | |
| 2 | 532180166 | BRACKET | | 1 | |
| 3 | 532140675 | STRAP | | 1 | |
| 6 | 873800600 | NUT | | 1 | |
| 7 | 532124181 | SPRING | | 1 | |
| 8 | 532171877 | BOLT | | 1 | |
| 10 | 532196977 | PLATE | | 1 | |
| 21 | 532171852 | BOLT | | 1 | |
| 37 | 873800500 | LOCK NUT | | 1 | |
| 40 | 532197661 | HANDLE | | 1 | |
| 41 | 532198200 | SPRING | | 1 | |
| 43 | 874760612 | BOLT | | 1 | |
| 44 | 819133812 | WASHER | | 1 | |



steering-tex_HUSQSR_19

| REF. | PART NO. | DESCRIPTION | REMARK | QTY. | KIT |
|------|-----------|----------------------|--------|------|-----|
| 1 | 532416480 | STEERING WHEEL | | 1 | |
| 2 | 532413591 | LINK ARM | | 1 | |
| 4 | 532403087 | SPINDLE | | 1 | |
| 5 | 532403088 | SPINDLE | | 1 | |
| 6 | 532124931 | WASHER | | 1 | |
| 7 | 532121748 | WASHER | | 1 | |
| 8 | 812000029 | RETAINER RING | | 1 | |
| 9 | 532121232 | HUB CAP | | 1 | |
| 13 | 532121749 | WASHER | | 1 | |
| 14 | 810040600 | WASHER | | 1 | |
| 15 | 873540600 | NUT | | 1 | |
| 16 | 532429373 | SHAFT | | 1 | |
| 19 | 532194729 | PLATE | | 1 | |
| 20 | 532411139 | STEERING COLUMN TUBE | | 1 | |
| 21 | 532186737 | ADAPTER | | 1 | |
| 22 | 532420537 | SUPPORT | | 1 | |
| 26 | 532415987 | KNOB | | 1 | |
| 28 | 817000612 | SCREW | | 1 | |
| 33 | 810040500 | WASHER | | 1 | |
| 35 | 532194732 | PLATE | | 1 | |
| 45 | 819113812 | WASHER | | 1 | |
| 53 | 532188967 | WASHER | | 1 | |
| 57 | 532407465 | BRACKET | | 1 | |
| 58 | 532194747 | BOLT | | 1 | |
| 59 | 532194748 | WASHER | | 1 | |
| 60 | 873971000 | NUT | | 1 | |
| 61 | 532194740 | LINK | | 1 | |
| 62 | 532194741 | LINK | | 1 | |
| 63 | 817000512 | SCREW | | 1 | |
| 64 | 532199849 | SPRING RETAINER | | 1 | |
| 66 | 871020748 | BOLT | | 1 | |
| 67 | 532194737 | BUSHING | | 1 | |
| 68 | 873900700 | NUT | | 1 | |
| 69 | 532199162 | WASHER | | 1 | |
| 70 | 532196197 | BRACKET | | 1 | |
| 71 | 532190752 | SHAFT | | 1 | |
| 72 | 532428982 | BOLT | | 1 | |
| 118 | 532406013 | BEARING | | 1 | |

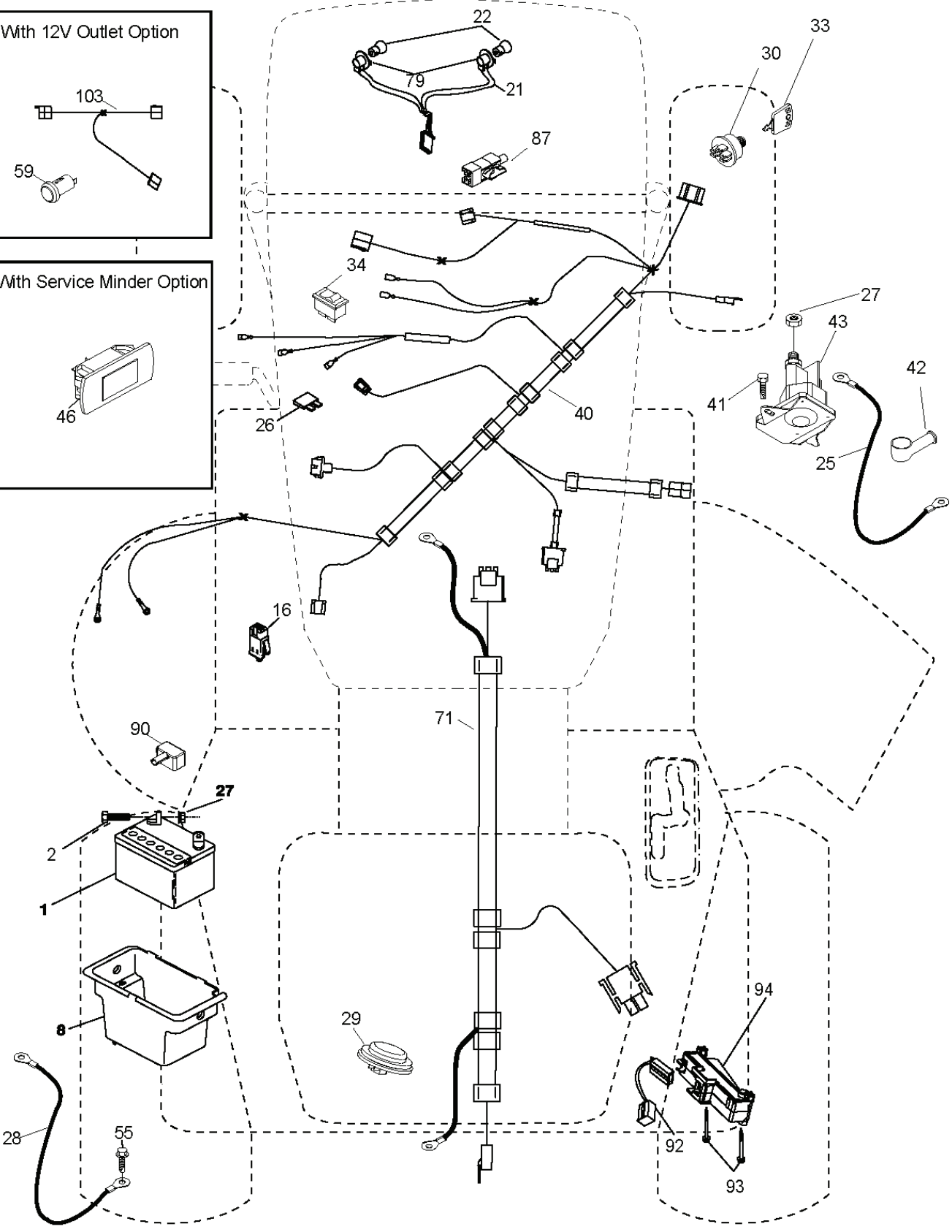
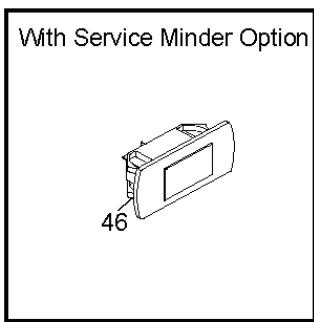
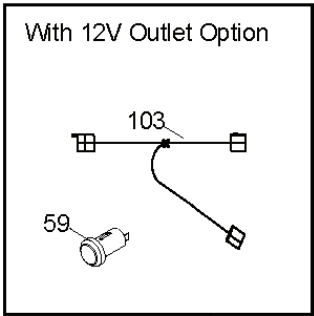


wheel_art_1-tex

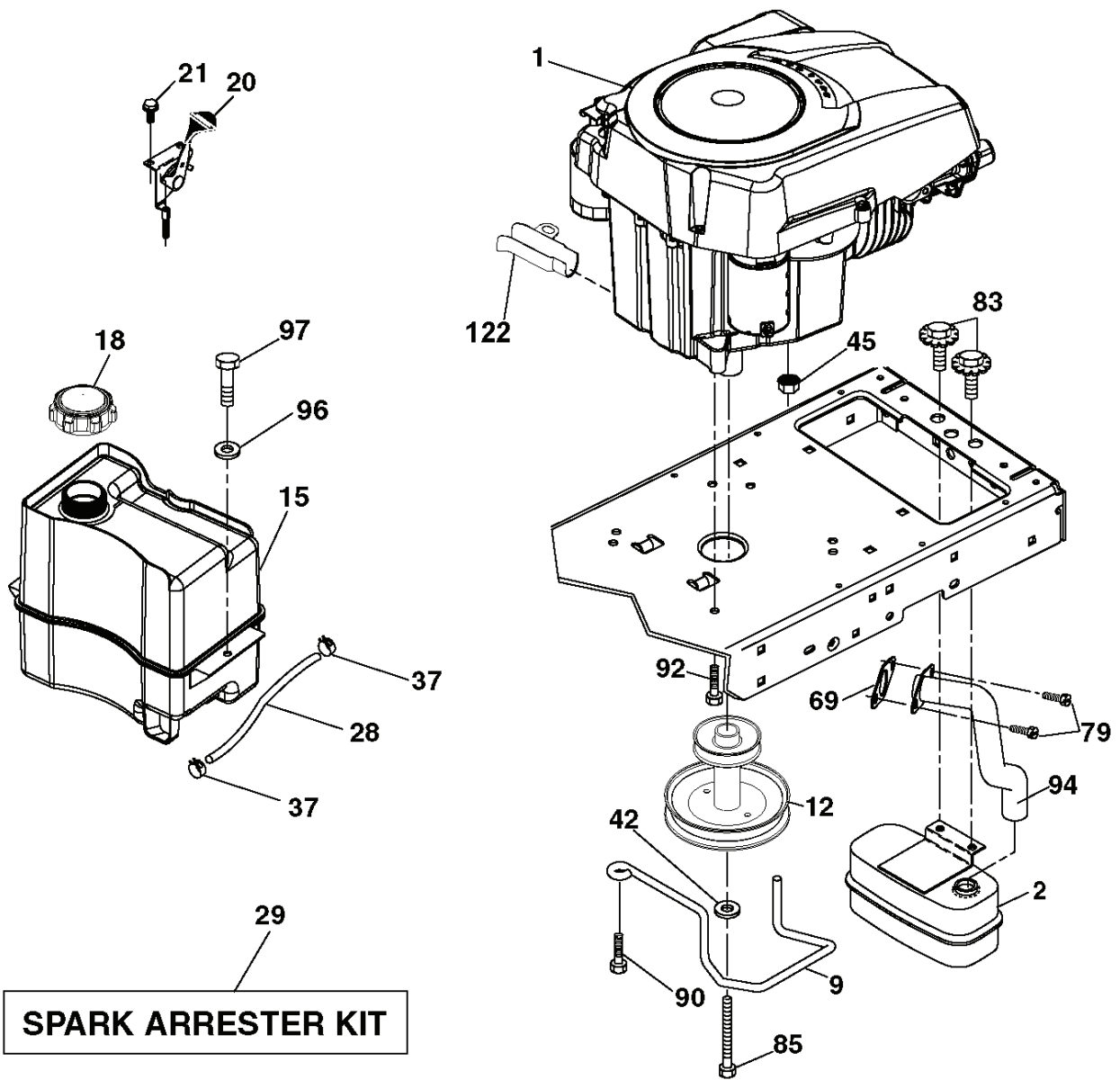
| REF. | PART NO. | DESCRIPTION | REMARK | QTY. | KIT |
|------|-----------|--------------|---------------------|------|-----|
| 1 | 532059192 | CAP VALVE | | 1 | |
| 2 | 532065139 | NIPPLE | | 1 | |
| 3 | 532138336 | RIM | Front 6" | 1 | |
| 4 | 532059904 | HOSE | (Service Item Only) | 1 | |
| 5 | 532106222 | TIRE | Front 15" x 6.0"-6" | 1 | |
| 6 | 532124957 | FITTING | (Front Wheel Only) | 1 | |
| 7 | 532124959 | BEARING | (Front Wheel Only) | 1 | |
| 8 | 532175039 | HUB CAP | | 1 | |
| 9 | 532420531 | TIRE | Rear 18" x 9.5"-8" | 1 | |
| 10 | 532124926 | HOSE | (Service Item Only) | 1 | |
| 11 | 532138337 | RIM SPROCKET | Rear 8" | 1 | |
| -- | 532144334 | SEALING FOAM | | 1 | |

| REF. | PART NO. | DESCRIPTION | REMARK | QTY. | KIT |
|------|-----------|-----------------|-----------------------------|------|-----|
| 1 | 000000000 | W/O DESCRIPTION | Transaxle, Peerless 206-565 | 1 | |
| 2 | 532123583 | KEY | | 1 | |
| 15 | 819131316 | WASHER | | 1 | |
| 17 | 532197297 | SPRING | | 1 | |
| 22 | 532197660 | ROD | | 1 | |
| 23 | 532121274 | KNOB | | 1 | |
| 26 | 532197455 | SPRING | | 1 | |
| 29 | 532197267 | ROD | | 1 | |
| 33 | 812000001 | RETAINER RING | | 1 | |
| 35 | 532401031 | ROD | | 1 | |
| 37 | 532121749 | WASHER | | 1 | |
| 42 | 532124872 | PEDAL RUBBER | | 1 | |
| 49 | 872110614 | BOLT | | 1 | |
| 50 | 532194327 | PULLEY | | 1 | |
| 51 | 873900600 | NUT | | 1 | |
| 52 | 532194326 | PULLEY | | 1 | |
| 56 | 532194346 | BELT | | 1 | |
| 61 | 532123666 | PULLEY | | 1 | |
| 64 | 532196200 | SHAFT | | 1 | |
| 73 | 874490544 | SCREW | | 1 | |
| 116 | 873900500 | NUT | | 1 | |
| 125 | 817000512 | SCREW | | 1 | |
| 134 | 532197857 | ROD | | 1 | |
| 139 | 874550412 | BOLT | | 1 | |
| 140 | 810040400 | WASHER | | 1 | |
| 141 | 819091210 | WASHER | | 1 | |
| 155 | 812000028 | CLIP | | 1 | |
| 157 | 532105701 | WASHER | | 1 | |
| 158 | 532194352 | BELT GUIDE | | 1 | |
| 159 | 876020412 | SPLIT PIN | | 1 | |
| 160 | 532169484 | PIN | | 1 | |
| 161 | 532105709 | SPRING | | 1 | |
| 165 | 532196212 | BUSHING | | 1 | |
| 166 | 532429164 | NUT | | 1 | |
| 167 | 532405257 | LATCH | | 1 | |
| 172 | 532197657 | STRAP | | 1 | |
| 174 | 532197289 | NUT | | 1 | |
| 175 | 532197858 | SHAFT | | 1 | |
| 176 | 532196214 | ARM | | 1 | |
| 178 | 532197456 | SPRING | | 1 | |
| 183 | 532137057 | SPACER | | 1 | |
| 184 | 532409747 | KNOB | | 1 | |
| 185 | 872110622 | BOLT | | 1 | |
| 186 | 532194321 | SPACER | | 1 | |
| 187 | 819133210 | WASHER | | 1 | |
| 188 | 532194323 | LINK | | 1 | |
| 189 | 532194317 | PLATE | | 1 | |
| 190 | 532194318 | BELT GUIDE | | 1 | |
| 192 | 532150360 | NUT | | 1 | |
| 193 | 817060512 | SCREW | | 1 | |
| 195 | 532197332 | BRACKET | | 1 | |
| 202 | 532197859 | LINK | | 1 | |
| 203 | 819111116 | WASHER | | 1 | |
| 205 | 532121748 | WASHER | | 1 | |
| 221 | 532403187 | SPRING | | 1 | |
| 232 | 874780716 | BOLT | | 1 | |
| 233 | 532405296 | WASHER | | 1 | |

T02S



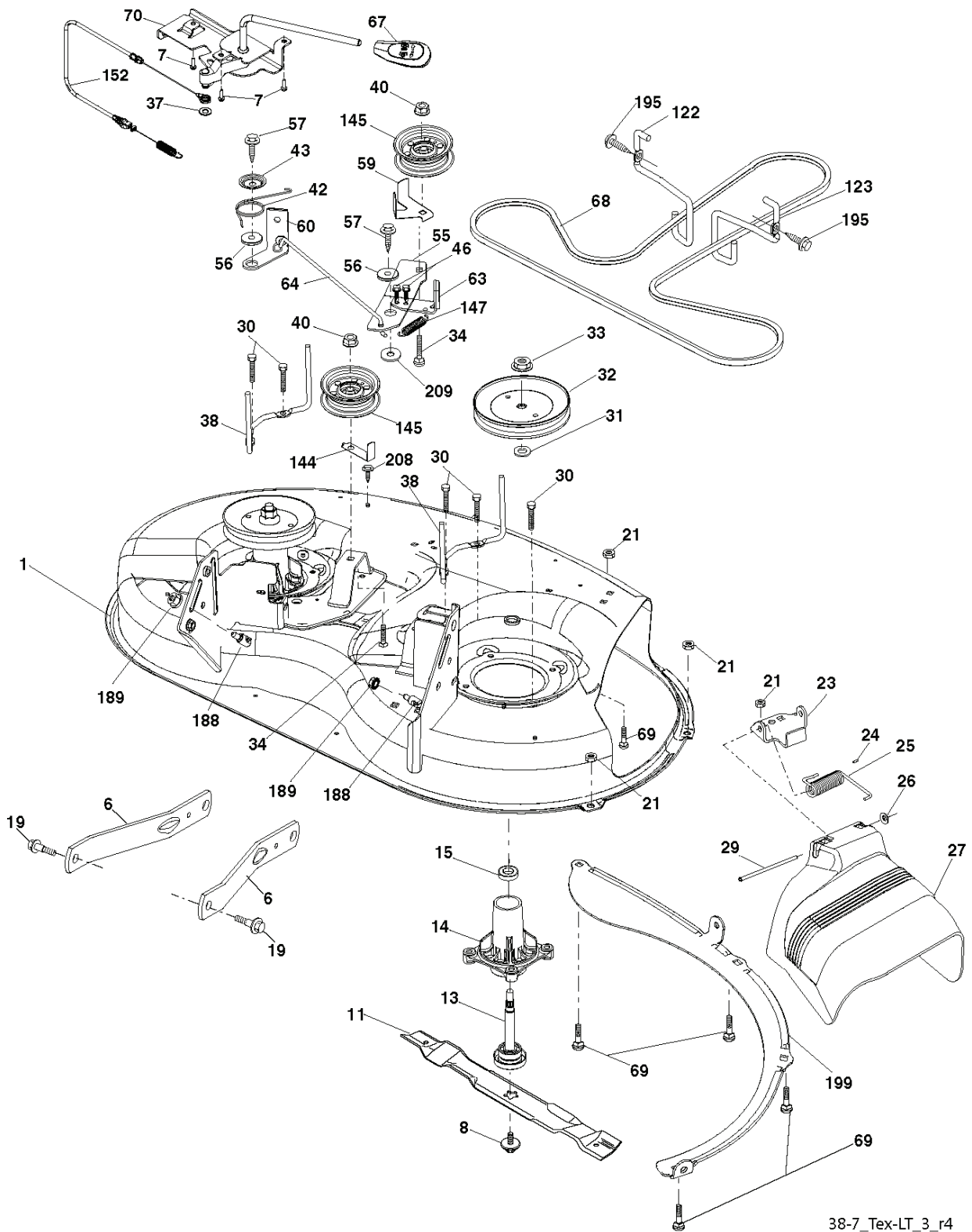
| REF. | PART NO. | DESCRIPTION | REMARK | QTY. | KIT |
|------|-----------|--------------------------------|--------|------|-----|
| 1 | 532163465 | BATTERY | | 1 | |
| 2 | 874760412 | BOLT | | 1 | |
| 8 | 532193228 | BOX | | 1 | |
| 16 | 532176138 | MICRO SWITCH | | 1 | |
| 21 | 532400252 | HARNESS | | 1 | |
| 22 | 532004152 | BULB | | 1 | |
| 25 | 532412894 | CABLE.STARTER.GGA.BL/R*SUBS/2* | | 1 | |
| 26 | 532175158 | FUSE | | 1 | |
| 27 | 873510400 | NUT | | 1 | |
| 28 | 532198885 | CABLE | | 1 | |
| 29 | 532401545 | SWITCH | | 1 | |
| 30 | 532193350 | IGNITION MODULE | | 1 | |
| 33 | 532411933 | KEY | | 1 | |
| 34 | 532110712 | SWITCH | | 1 | |
| 40 | 532401098 | CABLE | | 1 | |
| 41 | 817720408 | SCREW | | 1 | |
| 42 | 532131563 | COVER | | 1 | |
| 43 | 532192507 | SOLENOID | | 1 | |
| 46 | 532401763 | DISPLAY | | 1 | |
| 55 | 817060512 | SCREW | | 1 | |
| 71 | 532400449 | CABLE | | 1 | |
| 79 | 532175242 | HOLDER | | 1 | |
| 87 | 532197802 | SWITCH | | 1 | |
| 90 | 532400725 | COVER | | 1 | |
| 92 | 532196615 | CABLE ASSY | | 1 | |
| 93 | 532192540 | SCREW | | 1 | |
| 94 | 532191834 | MODULE.REVERSE.ROS | | 1 | |



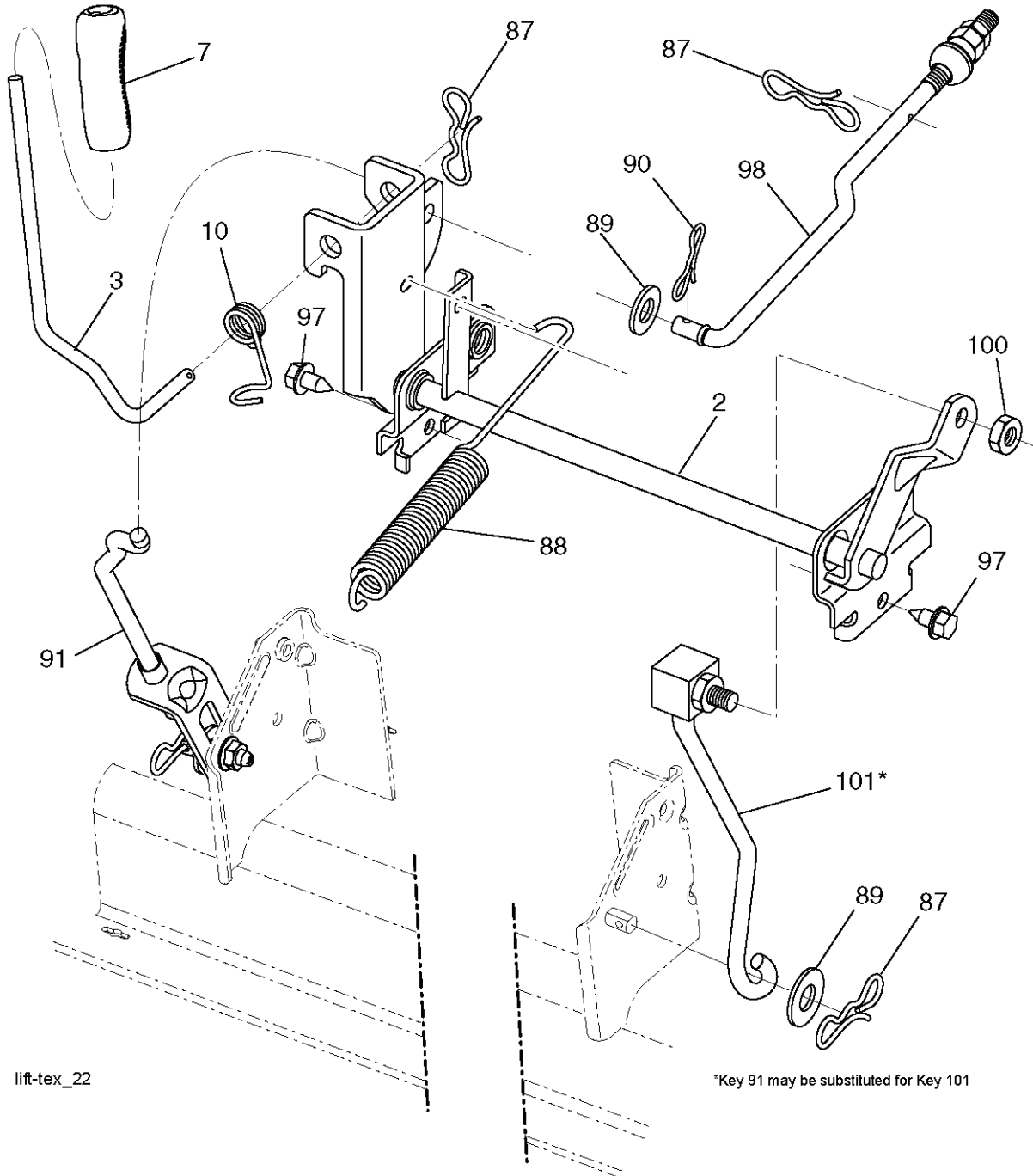
SPARK ARRESTER KIT

engine-tex_kohl_23_r1

| REF. | PART NO. | DESCRIPTION | REMARK | QTY. | KIT |
|------|-----------|--------------------|---------------------------------------|------|-----|
| 1 | 000000000 | W/O DESCRIPTION | Engine Kohler Model No. SV470-0213 | 1 | |
| 2 | 532188655 | MUFFLER | | 1 | |
| 9 | 532194319 | BELT GUIDE | | 1 | |
| 12 | 532401985 | PULLEY | | 1 | |
| 15 | 532407545 | FUEL TANK | | 1 | |
| 18 | 532430220 | FUEL CAP | | 1 | |
| 20 | 532183897 | CONTROL | | 1 | |
| 21 | 532416358 | SCREW | | 1 | |
| 28 | 532137040 | HOSE | | 1 | |
| 29 | 532137180 | SPARK ARRESTER KIT | | 1 | |
| 37 | 532123487 | HOSE CLAMP | | 1 | |
| 42 | 810040700 | WASHER | | 1 | |
| 45 | 873510400 | NUT | | 1 | |
| 69 | 532185909 | GASKET | | 1 | |
| 79 | 532192334 | SCREW | | 1 | |
| 83 | 532171877 | BOLT | | 1 | |
| 85 | 532173937 | BOLT | | 1 | |
| 90 | 817000616 | SCREW | | 1 | |
| 92 | 817120616 | SCREW | | 1 | |
| 94 | 532188654 | TUBE EXHAUST | | 1 | |
| 96 | 819091416 | WASHER | | 1 | |
| 97 | 817670412 | SCREW | | 1 | |
| 122 | 532421922 | EXTENSION PIPE | | 1 | |



| REF. | PART NO. | DESCRIPTION | REMARK | QTY. | KIT |
|------|-----------|-----------------|--------|------|-----|
| 1 | 532194251 | HOUSING | | 1 | |
| 6 | 532195186 | ARM | | 1 | |
| 7 | 532416358 | SCREW | | 1 | |
| 8 | 532193003 | SCREW | | 1 | |
| 11 | 532193957 | RIDE ON BLADE | | 1 | |
| 13 | 532192872 | SHAFT ASSY | | 1 | |
| 14 | 532187281 | BEARING HOUSING | | 1 | |
| 15 | 532110485 | BEARING | | 1 | |
| 19 | 532196539 | BOLT | | 1 | |
| 21 | 873680500 | NUT | | 1 | |
| 23 | 532192557 | HINGE | | 1 | |
| 24 | 532105304 | HUB CAP | | 1 | |
| 25 | 532197026 | TORSION SPRING | | 1 | |
| 26 | 532110452 | NUT | | 1 | |
| 27 | 532401472 | DEFLECTOR | | 1 | |
| 29 | 532131491 | SHAFT | | 1 | |
| 30 | 532173984 | SCREW | | 1 | |
| 31 | 532187690 | WASHER | | 1 | |
| 32 | 532199789 | PULLEY | | 1 | |
| 33 | 532400234 | NUT | | 1 | |
| 34 | 872110612 | BOLT | | 1 | |
| 37 | 819131316 | WASHER | | 1 | |
| 38 | 532199541 | BELT GUIDE | | 1 | |
| 40 | 873900600 | NUT | | 1 | |
| 42 | 532198410 | SPRING | | 1 | |
| 43 | 532197256 | SPRING | | 1 | |
| 46 | 532137729 | SCREW | | 1 | |
| 55 | 532197249 | ARM | | 1 | |
| 56 | 532199092 | SPACER | | 1 | |
| 57 | 817000616 | SCREW | | 1 | |
| 59 | 532141043 | GUARD | | 1 | |
| 60 | 532199471 | ARM | | 1 | |
| 63 | 532199470 | ARM | | 1 | |
| 64 | 532199790 | LINK | | 1 | |
| 67 | 532403012 | HANDLE | | 1 | |
| 68 | 532408381 | BELT | | 1 | |
| 69 | 872140505 | BOLT | | 1 | |
| 70 | 532401246 | CLUTCH | | 1 | |
| 122 | 532197258 | BELT GUIDE | | 1 | |
| 123 | 532197259 | BELT GUIDE | | 1 | |
| 144 | 532193414 | BELT GUIDE | | 1 | |
| 145 | 532193197 | PULLEY | | 1 | |
| 147 | 532401872 | SPRING | | 1 | |
| 152 | 532408714 | CABLE | | 1 | |
| 188 | 532195161 | STUD | | 1 | |
| 189 | 873900500 | NUT | | 1 | |
| 195 | 817000612 | SCREW | | 1 | |
| 199 | 532400095 | BAFFLE | | 1 | |
| 208 | 817670608 | SCREW | | 1 | |
| 209 | 819133210 | WASHER | | 1 | |
| -- | 532192870 | SPINDLE | | 1 | |
| -- | 532400422 | CUTTING DECK | | 1 | |

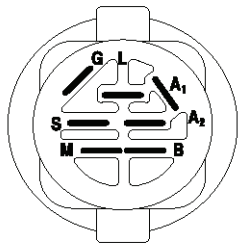
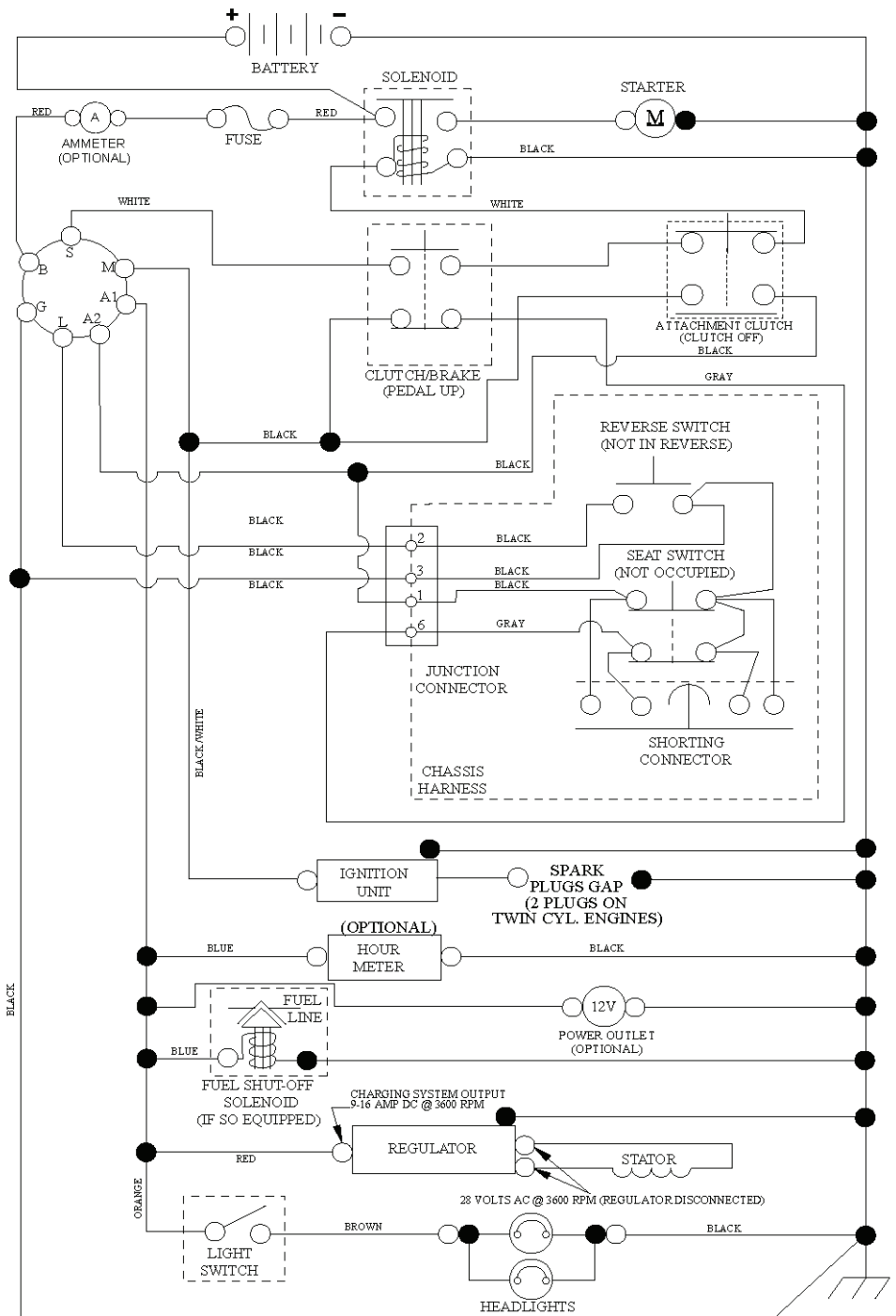


lif-tex_22

*Key 91 may be substituted for Key 101

| REF. | PART NO. | DESCRIPTION | REMARK | QTY. | KIT |
|------|-----------|-------------|--------|------|-----|
| 2 | 532422027 | SHAFT | | 1 | |
| 3 | 532195231 | LEVER | | 1 | |
| 7 | 532411555 | GRIP | | 1 | |
| 10 | 532196314 | SPRING | | 1 | |
| 87 | 532194209 | SPRING | | 1 | |
| 88 | 532410710 | SPRING | | 1 | |
| 89 | 819191912 | WASHER | | 1 | |
| 90 | 532194208 | PIN | | 1 | |
| 91 | 532195181 | LINK | | 1 | |
| 97 | 817000612 | SCREW | | 1 | |
| 98 | 532195270 | LINK | | 1 | |
| 100 | 873930600 | NUT | | 1 | |
| 101 | 532407003 | LINK | | 1 | |

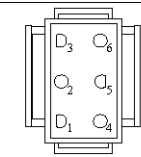
SCH10



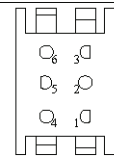
IGNITION SWITCH

| POSITION | CIRCUIT | "MAKE" |
|--------------|------------|--------|
| OFF | M+G+A1 | |
| RUN/OVERRIDE | B+A1 | |
| RUN | B+A1 | L+A2 |
| START | B + S + A1 | |

03107



CHASSIS HARNESS CONNECTOR (MATING SIDE)



DASH HARNESS CONNECTOR (MATING SIDE)

WIRING INSULATED CLIPS
 NOTE: IF WIRING INSULATED CLIPS WERE REMOVED FOR SERVICING OF UNIT, THEY SHOULD BE RE-INSTALLED TO PROPERLY SECURE YOUR WIRING.

NON-REMOVABLE CONNECTIONS

REMOVABLE CONNECTIONS

