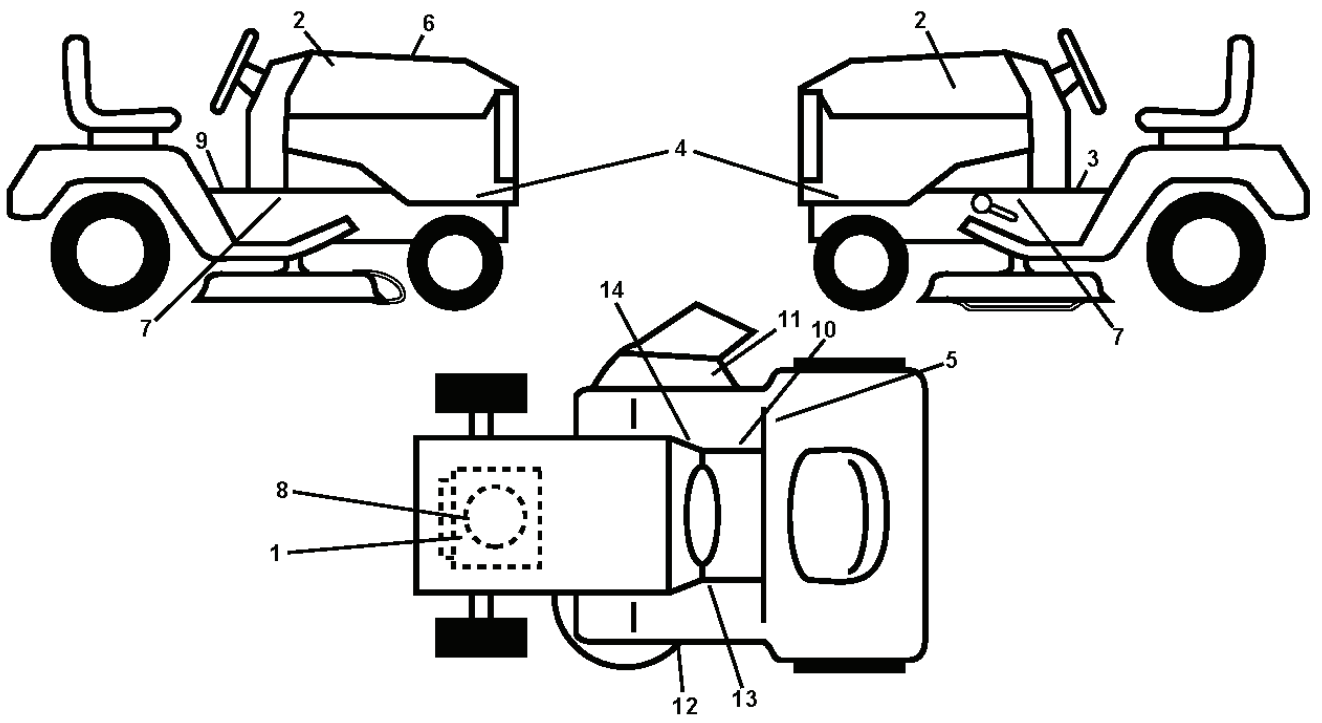


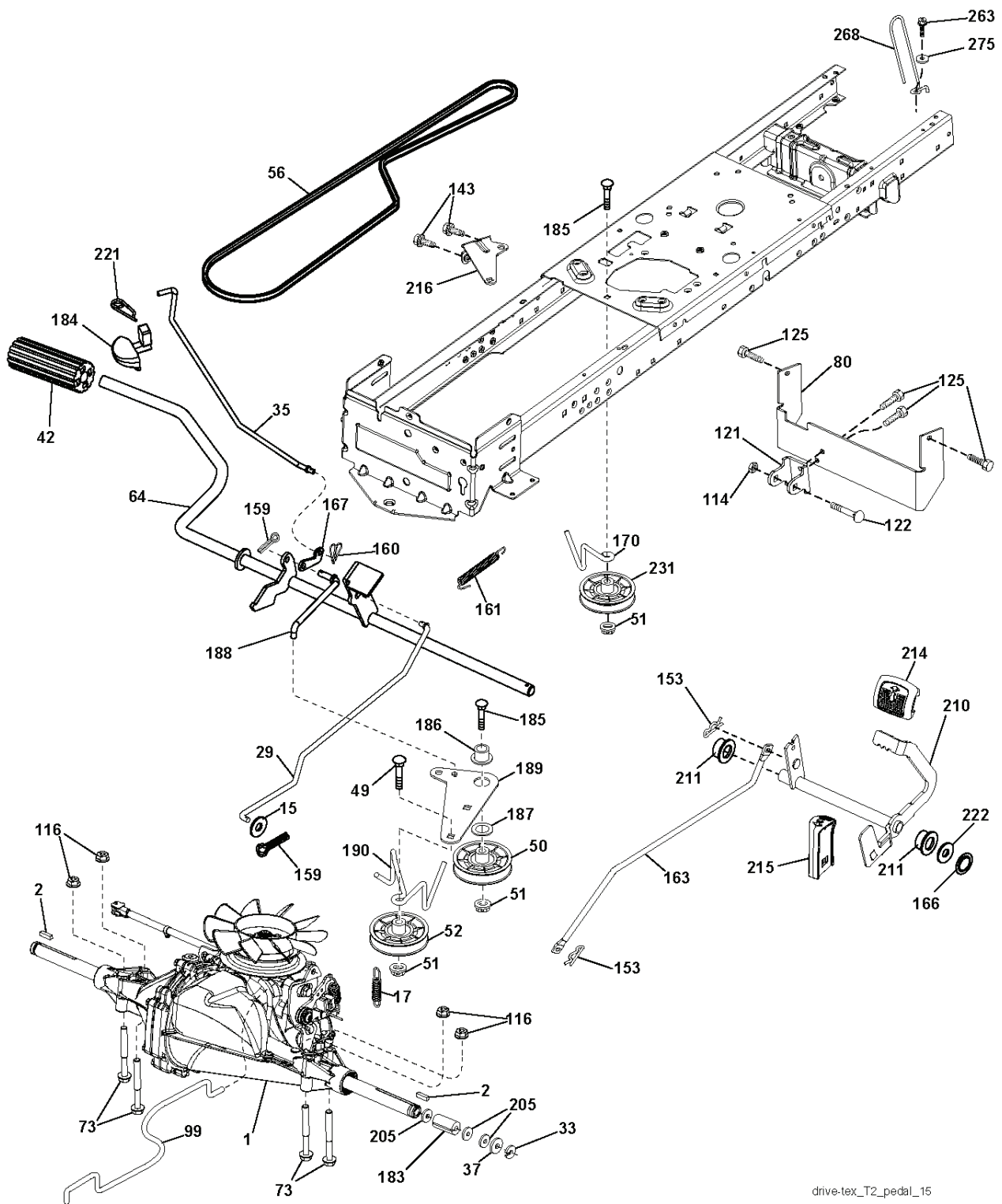
LTH126, 96041007600, 2009-01

SPARE PARTS LIST

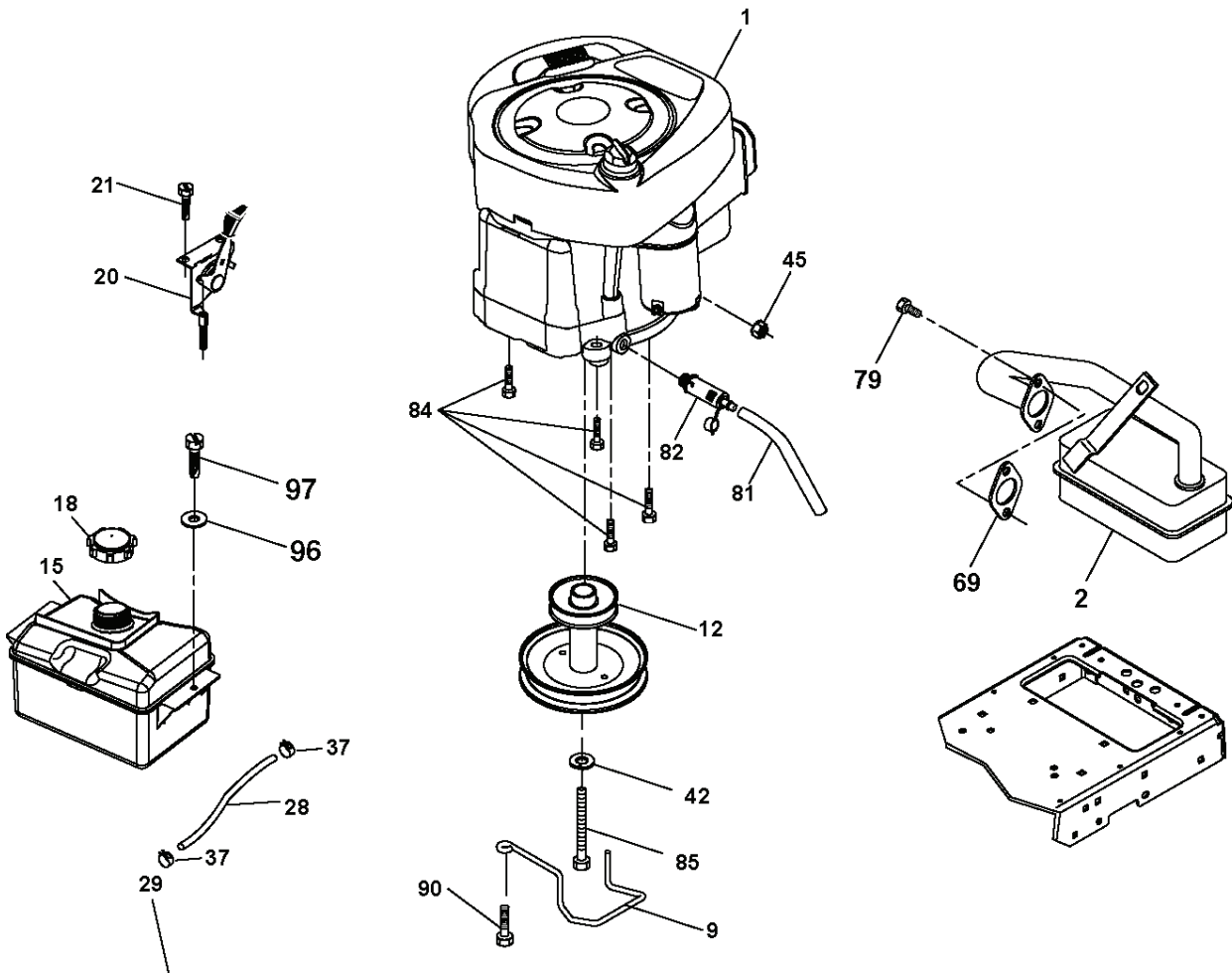
REF.	PART NO.	DESCRIPTION	REMARK	QTY.	KIT
3	532405012	LOGOTYPE		1	
5	532407592	PANEL		1	
14	532411073	HOOD		1	
15	532411079	LENS		1	
18	532406667	FRONT COVER		1	
25	532411078	LENS		1	
34	532196125	PLATE		1	
36	817060512	SCREW		1	
37	532416307	FENDER		1	
52	873680500	NUT		1	
58	532412280	PLATE		1	
68	817490508	SCREW		1	
130	532416358	SCREW		1	
137	532407590	DAMPING PIECE		1	
150	532406662	AIR DUCT		1	
151	532407807	BRACKET		1	
152	532199535	SHIELD		1	
159	817000612	SCREW		1	
162	532142432	SCREW		1	
175	532199472	PLATE		1	
176	532400776	SCREW		1	
177	532195228	BUSHING		1	
180	532414685	CHASSIS		1	
182	532407176	DASH		1	
183	874780520	BOLT		1	
189	817000512	SCREW		1	
191	532416500	INSERT		1	
194	873900500	NUT		1	
199	532413485	PLATE		1	
202	532411075	AIR CONDUCTOR		1	
203	532411074	AIR CONDUCTOR		1	
204	532411116	AIR CONDUCTOR		1	
205	532411076	FENDER		1	
206	532411077	FENDER		1	
213	874760512	BOLT		1	
214	532199145	CLIP		1	
217	532409167	ROD		1	
218	532196395	PLATE		1	
228	532195161	STUD		1	
234	532404742	DAMPING PIECE		1	
235	532406129	SPACER		1	
236	873930500	NUT		1	
238	532411119	FRONT COVER		1	
239	532404883	CLIP		1	
282	532414110	CLIP		1	
283	532416316	CONSOLE		1	
284	532417887	CONSOLE		1	
285	532416315	CONSOLE		1	
286	532416317	CONSOLE		1	
287	817600406	SCREW		1	
288	819171616	WASHER		1	
297	532406665	INSERT		1	



REF.	PART NO.	DESCRIPTION	REMARK	QTY.	KIT
1	532196841	DECAL		1	
2	532422012	DECAL		1	
3	532400389	LABEL		1	
4	532425672	DECAL		1	
5	532180432	DECAL		1	
6	532424372	DECAL		1	
7	532159736	DECAL		1	
8	532417927	DECAL		1	
9	532145005	DECAL		1	
10	532178302	DECAL		1	
11	532425112	DECAL		1	
12	532421543	DECAL		1	
13	532159737	DECAL		1	
14	532140837	DECAL		1	
--	532166960	DECAL		1	
--	532410805	PAD		1	
--	532410806	PAD, FOOTREST, RH		1	
--	532162598	DECAL		1	
--				1	

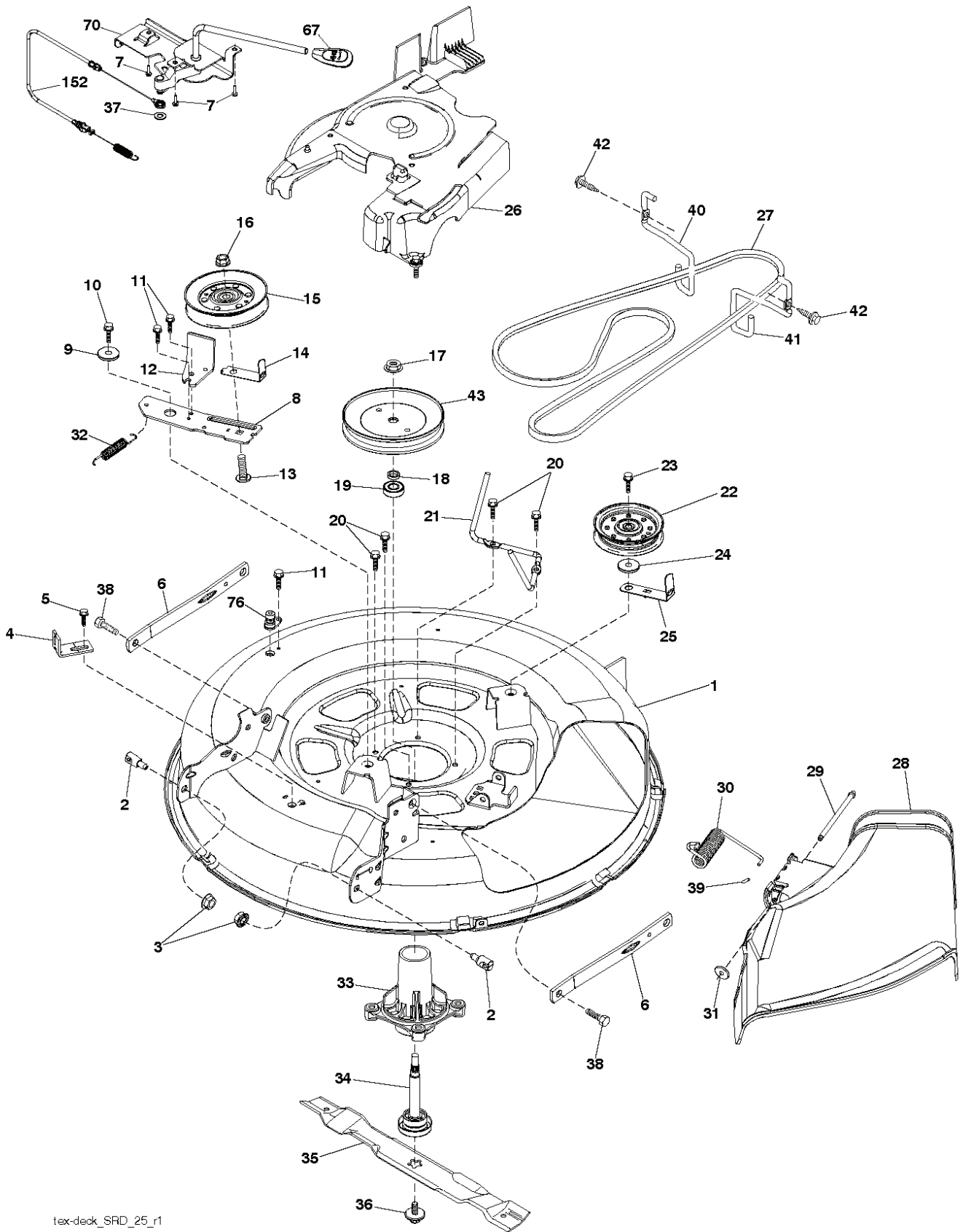


REF.	PART NO.	DESCRIPTION	REMARK	QTY.	KIT
1	000000000	W/O DESCRIPTION	Transaxle, Hydro T2-BABC-1X2B-1GX1(Order Parts from Transaxle Manufacturer)	1	
2	532123583	KEY		1	
15	819131316	WASHER		1	
17	532197296	SPRING		1	
29	532408391	ROD		1	
33	812000001	RETAINER RING		1	
35	532401031	ROD		1	
37	532121749	WASHER		1	
42	532124872	PEDAL RUBBER		1	
49	872110614	BOLT		1	
50	532194327	PULLEY		1	
51	873900600	NUT		1	
52	532194326	PULLEY		1	
56	532125907	BELT		1	
64	532197865	SHAFT		1	
73	874490544	SCREW		1	
80	532408393	STRAP.TORQUE.FS.T2	*SUBS/2*	1	
99	532408418	ROD		1	
114	873800500	LOCK NUT		1	
116	873900500	NUT		1	
121	532175611	CHAPPE DE FIXATION		1	
122	872010520	BOLT		1	
125	817000512	SCREW		1	
143	817490508	SCREW		1	
153	532124788	RETAINER RING		1	
159	876020412	SPLIT PIN		1	
160	532169484	PIN		1	
161	532105709	SPRING		1	
163	532413322	ROD.CONTROL.PCH.T2.TEX		1	
166	532197290	NUT		1	
167	532405257	LATCH		1	
170	532413430	BELT GUIDE		1	
183	532156972	SPACER		1	
184	532409747	KNOB		1	
185	872110622	BOLT		1	
186	532194321	SPACER		1	
187	819133210	WASHER		1	
188	532194323	LINK		1	
189	532194317	PLATE		1	
190	532194318	BELT GUIDE		1	
205	532121748	WASHER		1	
210	532400980	PEDAL ARM		1	
211	532120183	BEARING		1	
214	532401722	PEDAL		1	
215	532401723	PEDAL		1	
216	532196131	BRACKET		1	
221	532403187	SPRING		1	
222	879212010	WASHER		1	
231	532407287	PULLEY		1	
263	817000612	SCREW		1	
268	819131614	WASHER		1	
275	532182402	PROTECTOR		1	

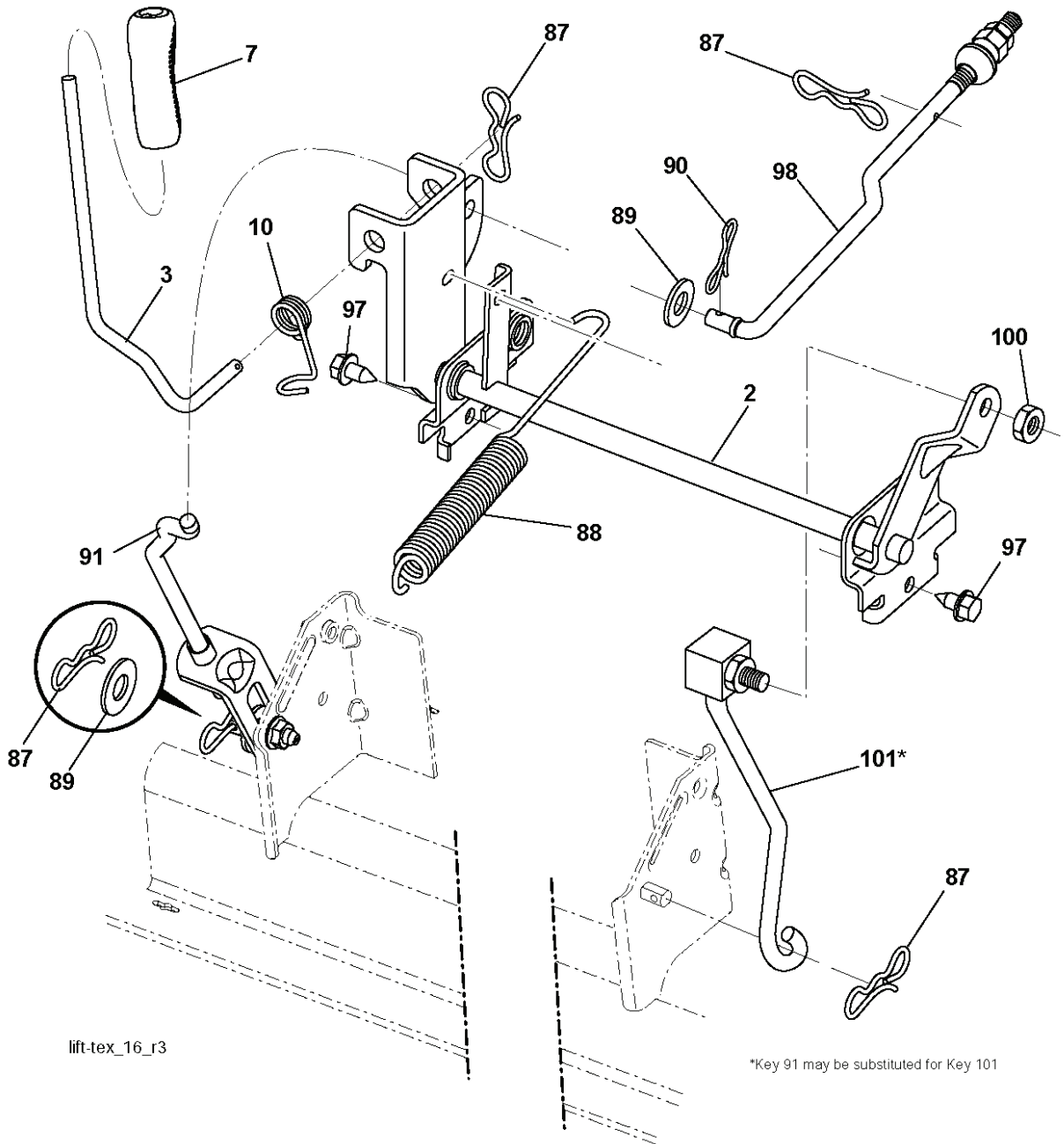


OPTIONAL EQUIPMENT
Spark Arrester

REF.	PART NO.	DESCRIPTION	REMARK	QTY.	KIT
1	000000000	W/O DESCRIPTION	Engine Briggs Model No. 21B807	1	
2	532179758	MUFFLER		1	
9	532194319	BELT GUIDE		1	
12	532140186	PULLEY		1	
15	532407545	FUEL TANK		1	
18	532197725	PLUG		1	
20	532183897	CONTROL		1	
21	532416358	SCREW		1	
28	532137040	HOSE		1	
29	532137180	SPARK ARRESTER KIT		1	
37	532123487	HOSE CLAMP		1	
42	810040700	WASHER		1	
45	873510400	NUT		1	
69	532165291	GASKET		1	
79	532192334	SCREW		1	
81	532148456	TUBE		1	
82	532181654	PLUG		1	
84	817060620	SCREW		1	
85	532173937	BOLT		1	
90	817000616	SCREW		1	
96	819091416	WASHER		1	
97	817670412	SCREW		1	



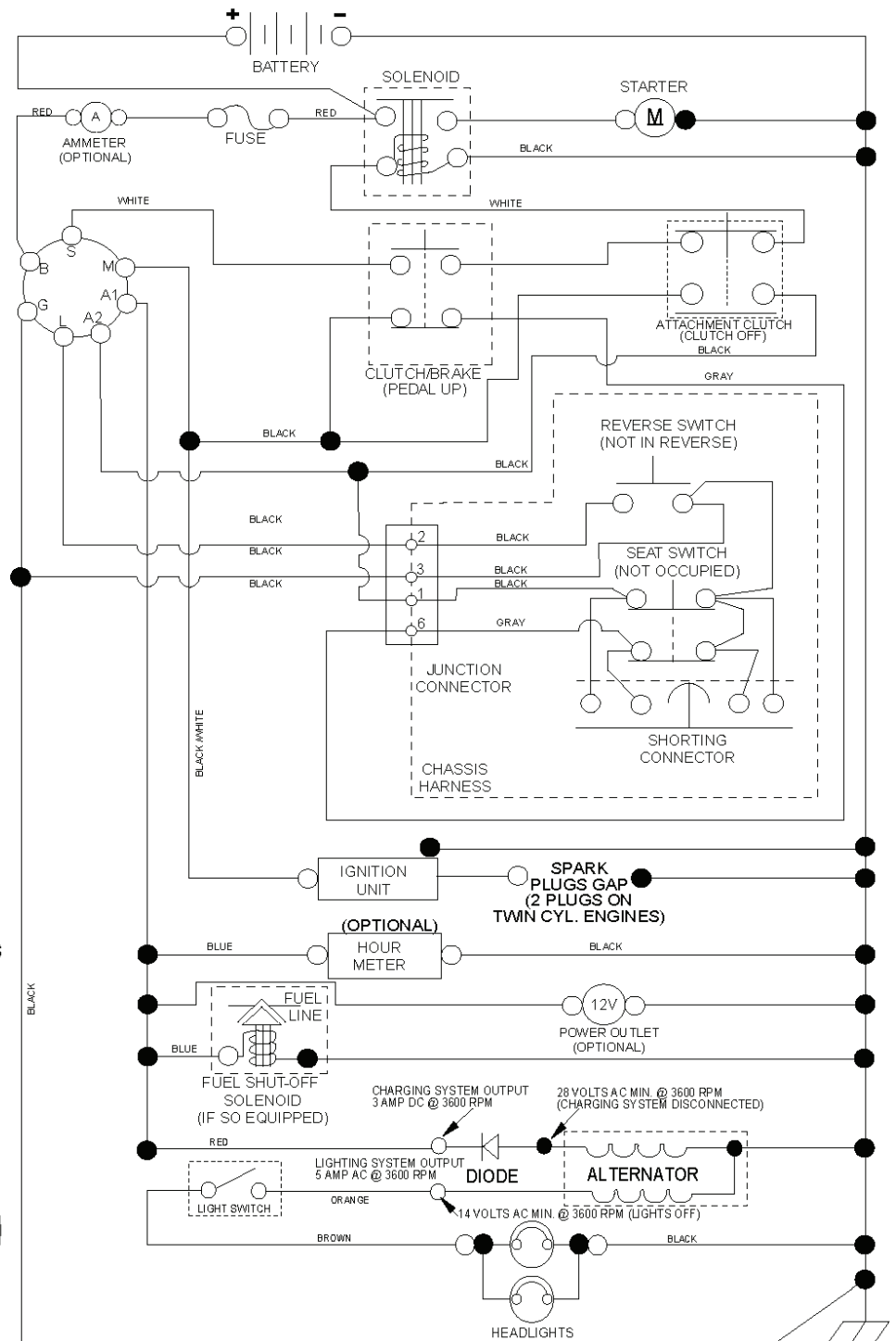
REF.	PART NO.	DESCRIPTION	REMARK	QTY.	KIT
1	532419272	CUTTING DECK		1	
2	532195161	STUD		1	
3	873900500	NUT		1	
4	532417645	BRACKET		1	
5	817000510	BOLT		1	
6	532418863	ARM		1	
7	532416358	SCREW		1	
8	532420252	ARM		1	
9	532199092	SPACER		1	
10	817000616	SCREW		1	
11	532137729	SCREW		1	
12	532199470	ARM		1	
13	872110612	BOLT		1	
14	532156085	BELT GUIDE		1	
15	532146763	PULLEY		1	
16	873900600	NUT		1	
17	532400234	NUT		1	
18	532187690	WASHER		1	
19	532110485	BEARING		1	
20	532173984	SCREW		1	
21	532416910	BELT GUARD		1	
22	532193198	PULLEY		1	
23	817490628	SCREW		1	
24	819132012	WASHER		1	
25	532420253	BELT GUARD		1	
26	532430313	COVER		1	
27	532419271	BELT		1	
28	532424769	DEFLECTOR		1	
29	532420895	HINGE PIN		1	
30	532197026	TORSION SPRING		1	
31	532110452	NUT		1	
32	532401872	SPRING		1	
33	532187281	BEARING HOUSING		1	
34	532192872	SHAFT ASSY		1	
35	532419273	RIDE ON BLADE		1	
36	532193003	SCREW		1	
37	819131316	WASHER		1	
38	532196539	BOLT		1	
39	532105304	HUB CAP		1	
40	532419270	BELT GUARD		1	
41	532419265	BELT GUARD		1	
42	817000612	SCREW		1	
43	532416877	PULLEY		1	
67	532403012	HANDLE		1	
70	532401246	CLUTCH		1	
71	817670608	SCREW		1	
76	532415598	HOSE COUPLING		1	
152	532408714	CABLE		1	
--	532416405	COUPLING		1	
--	532192870	SPINDLE	Mandrel Assembly (Includes Housing, Shaft Assembly, And Bearing Only - Pulley/ Nut/Washer And Blade Bolt/ Washers Not Included)	1	
--	532421696	CUTTING DECK		1	



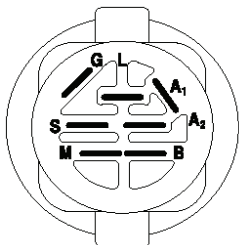
lift-tex_16_r3

*Key 91 may be substituted for Key 101

REF.	PART NO.	DESCRIPTION	REMARK	QTY.	KIT
2	532195223	SHAFT		1	
3	532195231	LEVER		1	
7	532411555	GRIP		1	
10	532196314	SPRING		1	
87	532194209	SPRING		1	
88	532410710	SPRING		1	
89	819191912	WASHER		1	
90	532194208	PIN		1	
91	532195181	LINK		1	
97	817000612	SCREW		1	
98	532195264	LINK		1	
100	873930600	NUT		1	
101	532407003	LINK		1	

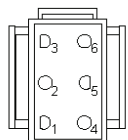


NOTE
 YOUR TRACTOR IS EQUIPPED WITH A SPECIAL ALTERNATOR SYSTEM. THE LIGHTS ARE NOT CONNECTED TO THE BATTERY, BUT HAVE THEIR OWN ELECTRICAL SOURCE. BECAUSE OF THIS, THE BRIGHTNESS OF THE LIGHTS WILL CHANGE WITH ENGINE SPEED. AT IDLE THE LIGHTS WILL DIM. AS THE ENGINE IS SPEEDED UP, THE LIGHTS WILL BECOME THEIR BRIGHTEST.

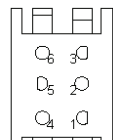


IGNITION SWITCH

POSITION	CIRCUIT "MAKE"
OFF	M+G+A1
RUN/OVERRIDE	B+A1
RUN	B+A1 L+A2
START	B+ S + A1

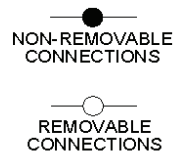


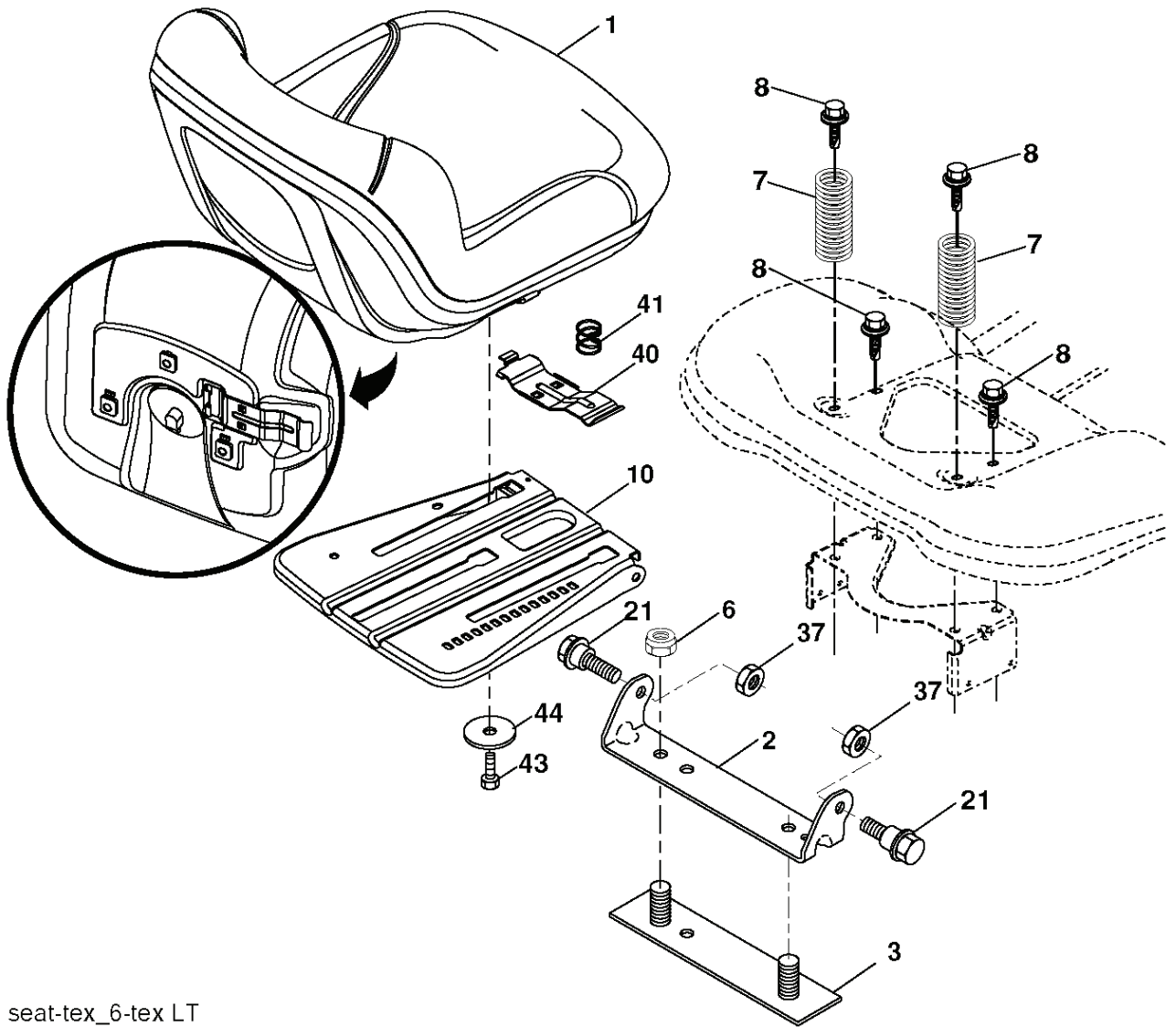
CHASSIS HARNESS CONNECTOR (MATING SIDE)



DASH HARNESS CONNECTOR (MATING SIDE)

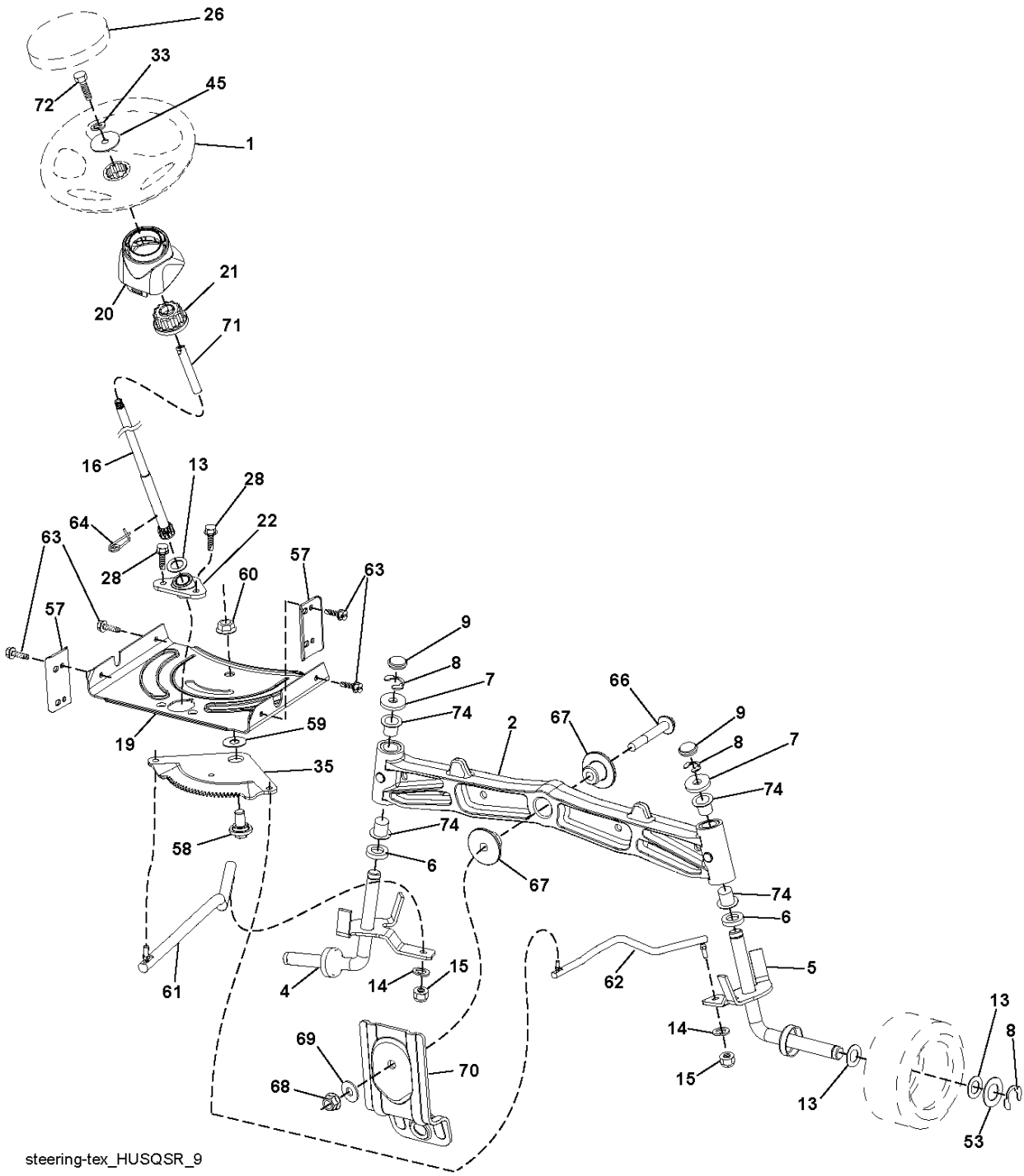
WIRING INSULATED CLIPS
 NOTE: IF WIRING INSULATED CLIPS WERE REMOVED FOR SERVICING OF UNIT, THEY SHOULD BE RE-INSTALLED TO PROPERLY SECURE YOUR WIRING.





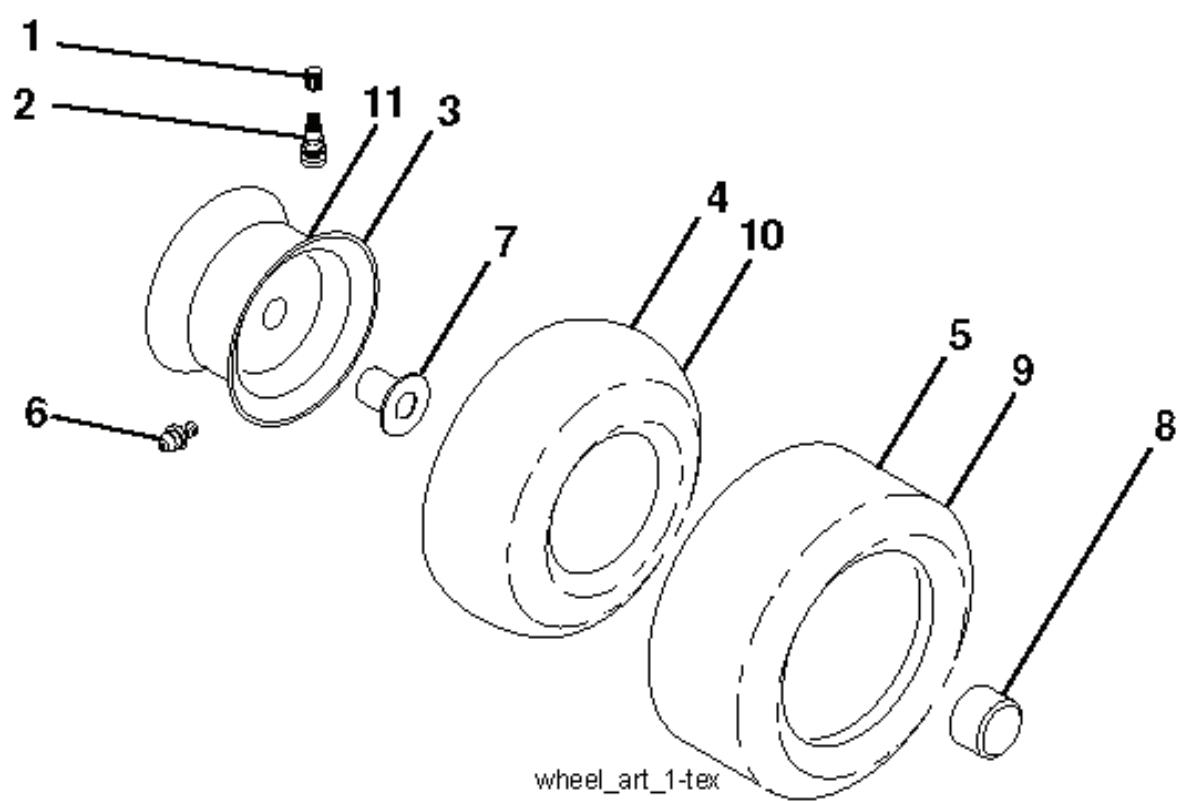
seat-tex_6-tex LT

REF.	PART NO.	DESCRIPTION	REMARK	QTY.	KIT
1	532197518	SEAT		1	
2	532180166	BRACKET		1	
3	532140675	STRAP		1	
6	873800600	NUT		1	
7	532124181	SPRING		1	
8	532171877	BOLT		1	
10	532196977	PLATE		1	
21	532171852	BOLT		1	
37	873800500	LOCK NUT		1	
40	532197661	HANDLE		1	
41	532198200	SPRING		1	
43	874760612	BOLT		1	
44	819133812	WASHER		1	



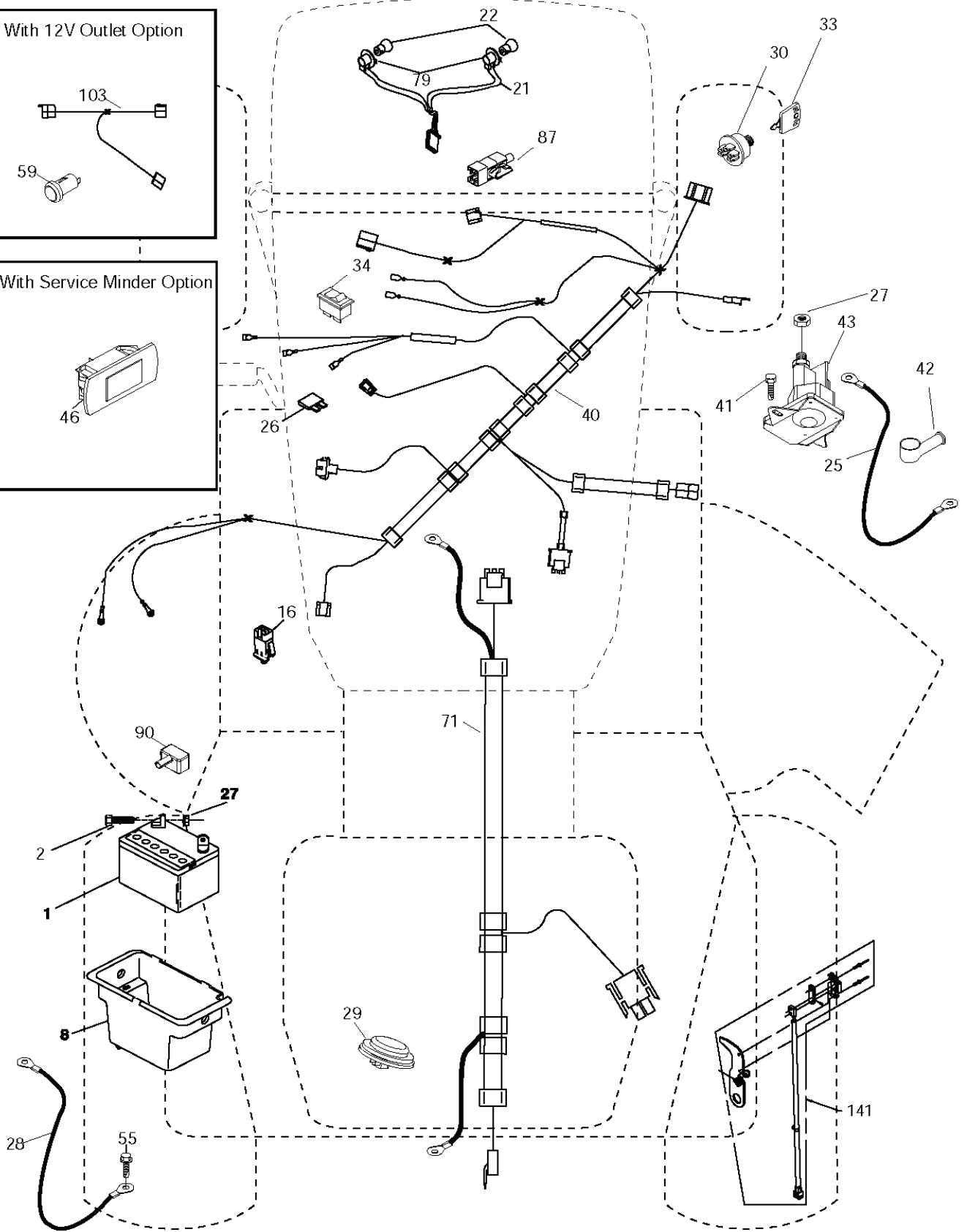
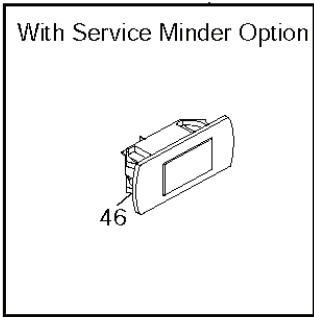
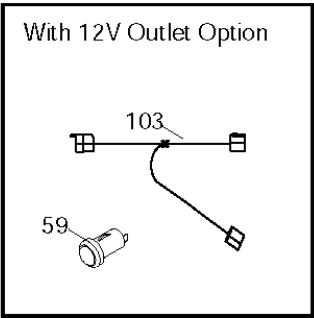
steering-tex_HUSQSR_9

REF.	PART NO.	DESCRIPTION	REMARK	QTY.	KIT
1	532416480	STEERING WHEEL		1	
2	532418168	AXLE		1	
4	532416845	SPINDLE		1	
5	532416846	SPINDLE		1	
6	532124931	WASHER		1	
7	532121748	WASHER		1	
8	812000029	RETAINER RING		1	
9	532121232	HUB CAP		1	
13	532121749	WASHER		1	
14	810040600	WASHER		1	
15	873540600	NUT		1	
16	532196074	SHAFT		1	
19	532194729	PLATE		1	
20	532411139	STEERING COLUMN TUBE		1	
21	532186737	ADAPTER		1	
22	532194845	BUSHING		1	
26	532415987	KNOB		1	
28	817000612	SCREW		1	
33	810040500	WASHER		1	
35	532194732	PLATE		1	
45	819113812	WASHER		1	
53	532188967	WASHER		1	
57	532407465	BRACKET		1	
58	532194747	BOLT		1	
59	532194748	WASHER		1	
60	873971000	NUT		1	
61	532194740	LINK		1	
62	532194741	LINK		1	
63	817000512	SCREW		1	
64	532199849	SPRING RETAINER		1	
66	871020748	BOLT		1	
67	532194737	BUSHING		1	
68	873900700	NUT		1	
69	532199162	WASHER		1	
70	532417065	BRACKET		1	
71	532196075	SHAFT		1	
72	874780572	BOLT		1	
74	532124937	BEARING COL. STRG.		1	



REF.	PART NO.	DESCRIPTION	REMARK	QTY.	KIT
1	532059192	CAP VALVE		1	
2	532065139	NIPPLE		1	
3	532425261	RIM		1	
4	532421652	TUBE		1	
5	532123410	TIRE		1	
6	532124957	FITTING		1	
7	532124959	BEARING		1	
8	532175039	HUB CAP		1	
9	532106230	TIRE		1	
10	532124926	HOSE		1	
11	532425262	RIM		1	
--	532144334	SEALING FOAM		1	

T04S



REF.	PART NO.	DESCRIPTION	REMARK	QTY.	KIT
1	532144924	BATTERY		1	
2	874760412	BOLT		1	
8	532193228	BOX		1	
16	532176138	MICRO SWITCH		1	
21	532400252	HARNESS		1	
22	532004152	BULB		1	
25	532412894	CABLE.STARTER.GGA.BL/R*SUBS/2*		1	
26	532175158	FUSE		1	
27	873510400	NUT		1	
28	532198885	CABLE		1	
29	532401545	SWITCH		1	
30	532193350	IGNITION MODULE		1	
33	532411935	KEY		1	
34	532110712	SWITCH		1	
40	532401098	CABLE		1	
41	817720408	SCREW		1	
42	532131563	COVER		1	
43	532192507	SOLENOID		1	
46	532413931	HOUR METER		1	
55	817060512	SCREW		1	
71	532400449	CABLE		1	
79	532175242	HOLDER		1	
87	532197802	SWITCH		1	
90	532400725	COVER		1	
141	532416977	KIT		1	
	PART NO.		REMARK		KIT