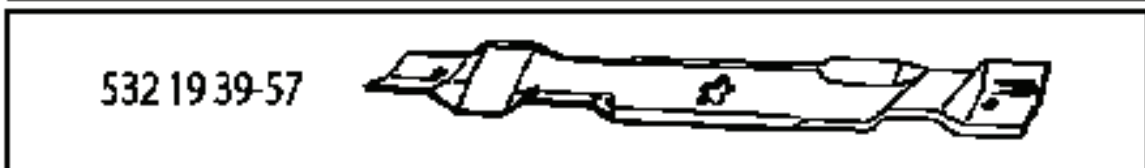
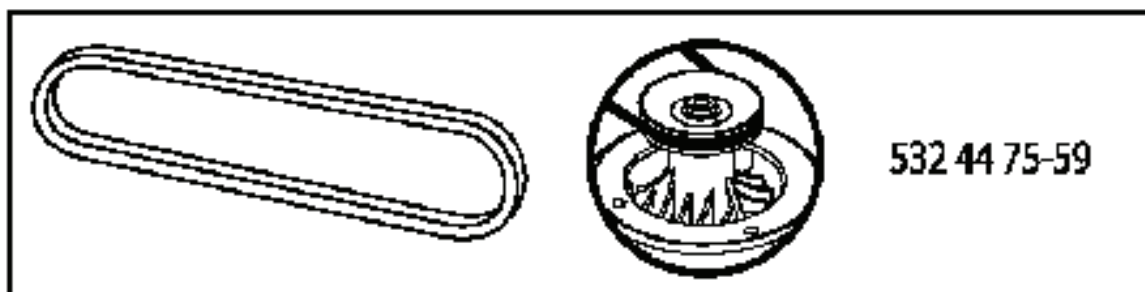
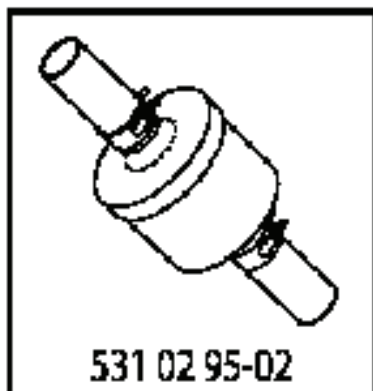
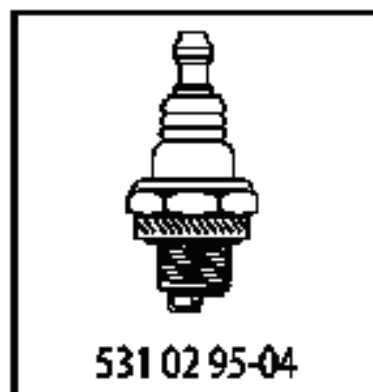
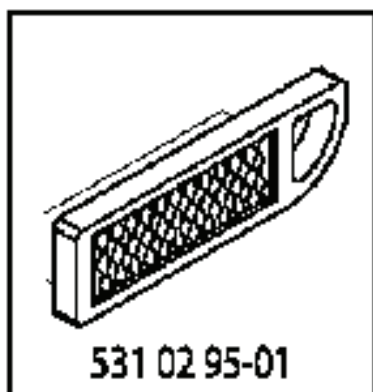
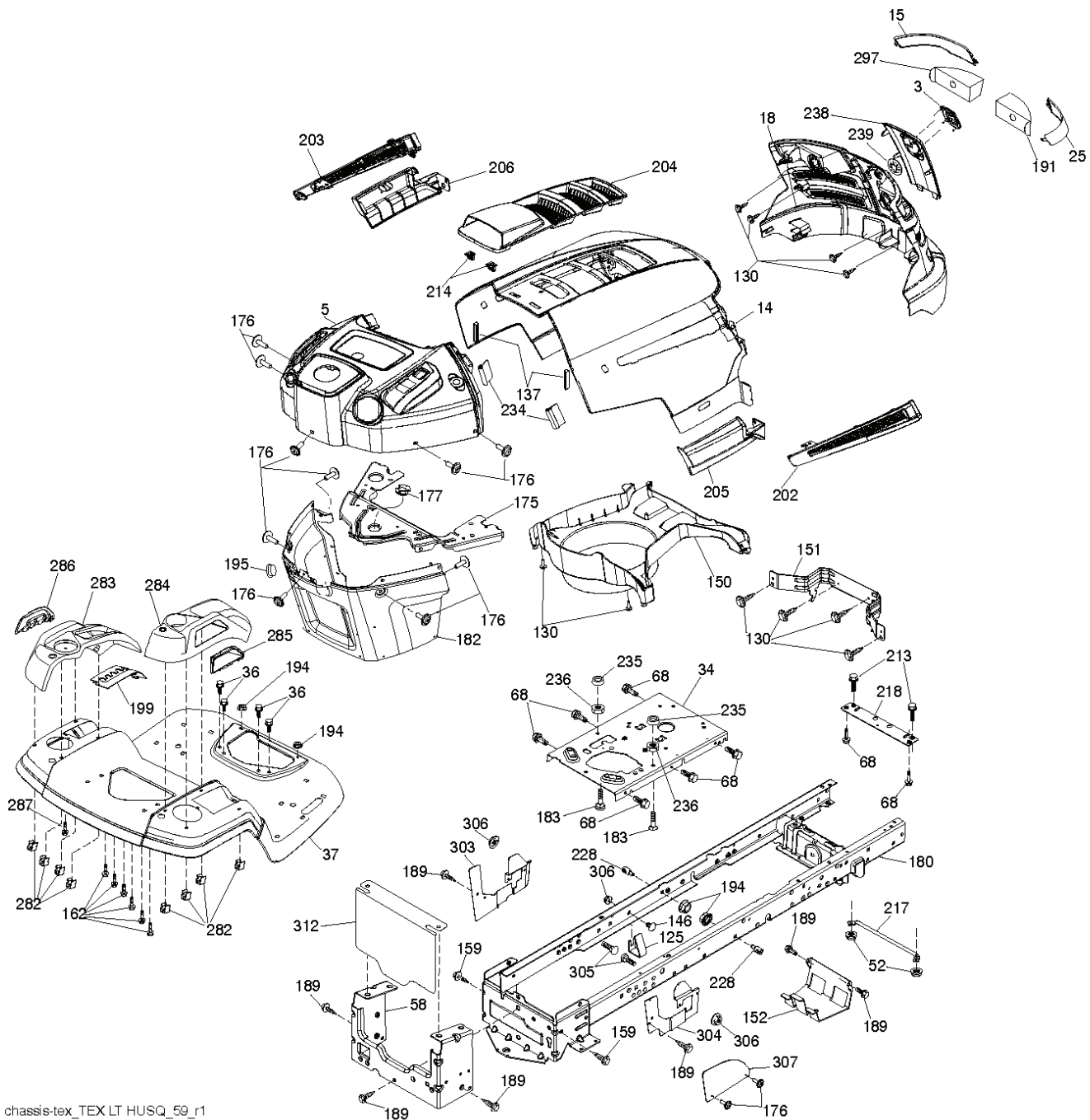


LTH154, 96041032900, 2013-10

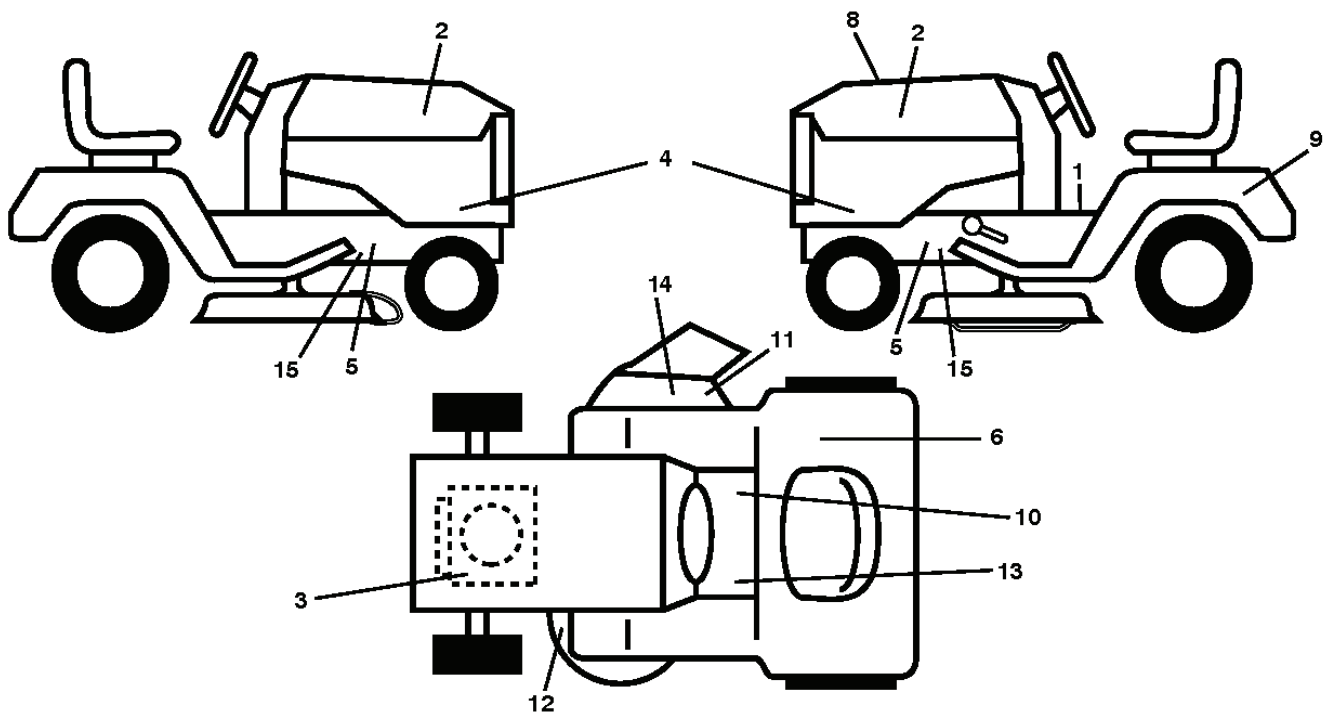
SPARE PARTS LIST



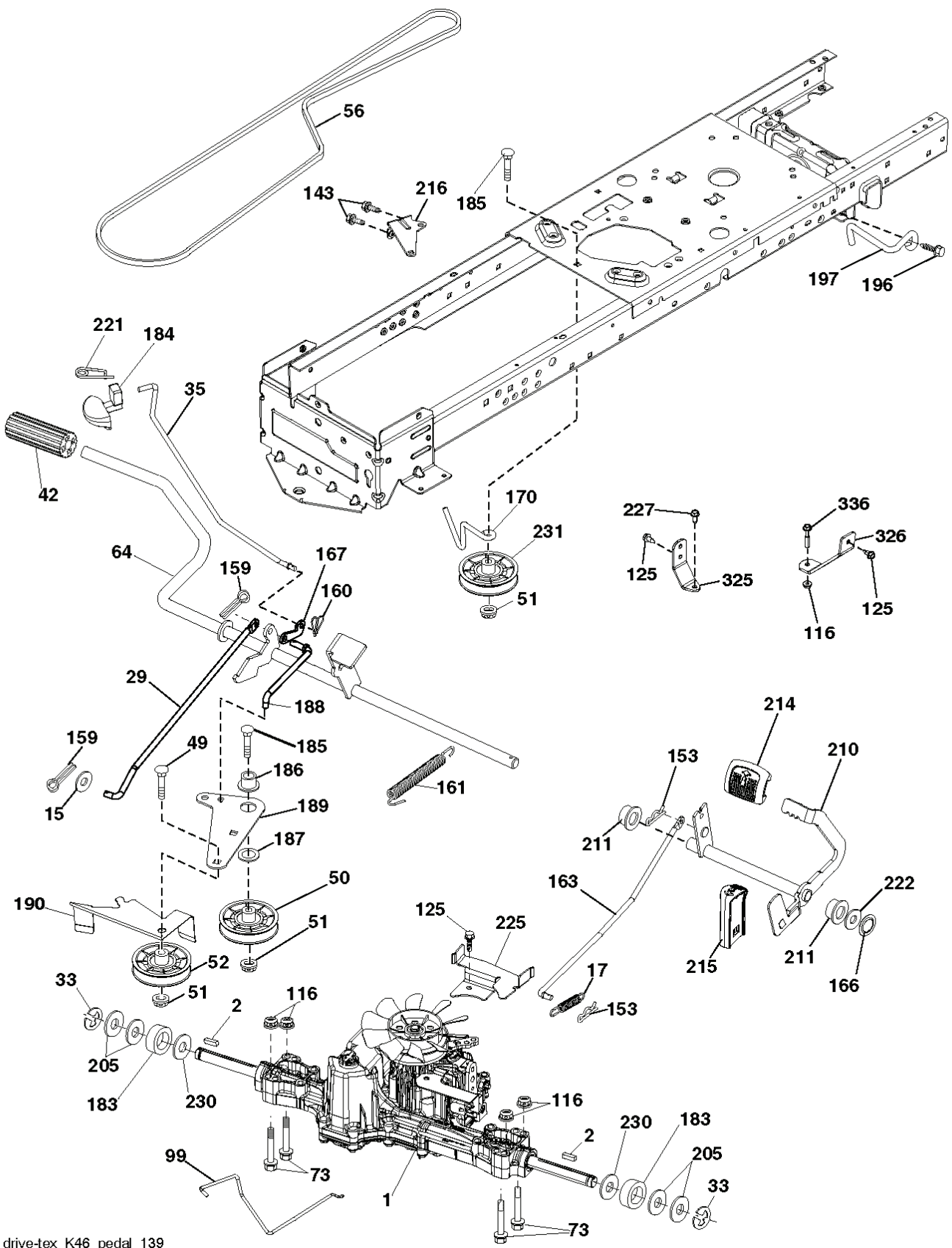
| REF. | PART NO. | DESCRIPTION | REMARK | QTY. | KIT |
|-----------|-----------|---------------|--------|------|-----|
| 531029501 | 531029501 | AIR FILTER | | 1 | |
| 531029504 | 531029504 | SPARK PLUG | | 1 | |
| 531029502 | 531029502 | FILTER | | 1 | |
| 531029503 | 531029503 | FILTER | | 1 | |
| 532130969 | 532130969 | BELT | | 1 | |
| 532447559 | 532447559 | BELT | | 1 | |
| 532193957 | 532193957 | RIDE ON BLADE | | 1 | |



| REF. | PART NO. | DESCRIPTION | REMARK | QTY. | KIT |
|------|-----------|---------------|--------|------|-----|
| 3 | 581056301 | LOGOTYPE | | 1 | |
| 5 | 585529804 | DASH | | 1 | |
| 14 | 532441267 | HOOD | | 1 | |
| 15 | 532441428 | LENS | | 1 | |
| 18 | 532441368 | GRILLE | | 1 | |
| 25 | 532441427 | LENS | | 1 | |
| 34 | 580910801 | CHASSIS | | 1 | |
| 36 | 817060512 | SCREW | | 1 | |
| 37 | 532441266 | FENDER | | 1 | |
| 52 | 873680500 | NUT | | 1 | |
| 58 | 532412280 | PLATE | | 1 | |
| 68 | 817490508 | SCREW | | 1 | |
| 125 | 581684801 | CLIP | | 1 | |
| 130 | 532416358 | SCREW | | 1 | |
| 137 | 532407590 | DAMPING PIECE | | 1 | |
| 146 | 581857901 | BOLT | | 1 | |
| 150 | 532407537 | AIR CONDUCTOR | | 1 | |
| 151 | 532407807 | BRACKET | | 1 | |
| 152 | 532199535 | SHIELD | | 1 | |
| 159 | 817000612 | SCREW | | 1 | |
| 162 | 532142432 | SCREW | | 1 | |
| 175 | 532199472 | PLATE | | 1 | |
| 176 | 532400776 | SCREW | | 1 | |
| 177 | 532195228 | BUSHING | | 1 | |
| 180 | 532415063 | FRAME | | 1 | |
| 182 | 532407176 | DASH | | 1 | |
| 183 | 874520520 | BOLT | | 1 | |
| 189 | 817000512 | SCREW | | 1 | |
| 191 | 532416501 | INSERT | | 1 | |
| 194 | 873900500 | NUT | | 1 | |
| 195 | 532439976 | PLUG | | 1 | |
| 199 | 532413485 | PLATE | | 1 | |
| 202 | 532441342 | COVER | | 1 | |
| 203 | 532441343 | COVER | | 1 | |
| 204 | 532441375 | COVER | | 1 | |
| 205 | 532441344 | SKIRT | | 1 | |
| 206 | 532441345 | SKIRT | | 1 | |
| 213 | 874760512 | BOLT | | 1 | |
| 214 | 532199145 | CLIP | | 1 | |
| 217 | 532409167 | ROD | | 1 | |
| 218 | 532196395 | PLATE | | 1 | |
| 228 | 532195161 | STUD | | 1 | |
| 234 | 532404742 | DAMPING PIECE | | 1 | |
| 235 | 532406129 | SPACER | | 1 | |
| 236 | 873930500 | NUT | | 1 | |
| 238 | 532441374 | SPARE PARTS | | 1 | |
| 239 | 532404883 | CLIP | | 1 | |
| 282 | 532414110 | CLIP | | 1 | |
| 283 | 532442039 | DECK | | 1 | |
| 284 | 532439823 | CONSOLE | | 1 | |
| 285 | 532416315 | CONSOLE | | 1 | |
| 286 | 532416317 | CONSOLE | | 1 | |
| 287 | 817600406 | SCREW | | 1 | |
| 297 | 532406665 | INSERT | | 1 | |
| 303 | 532420959 | SHIELD | | 1 | |
| 304 | 532421509 | SHIELD | | 1 | |
| 305 | 872110606 | BOLT | | 1 | |
| 306 | 873900600 | NUT | | 1 | |
| 307 | 532424570 | SHIELD | | 1 | |
| 312 | 532425926 | SHIELD | | 1 | |



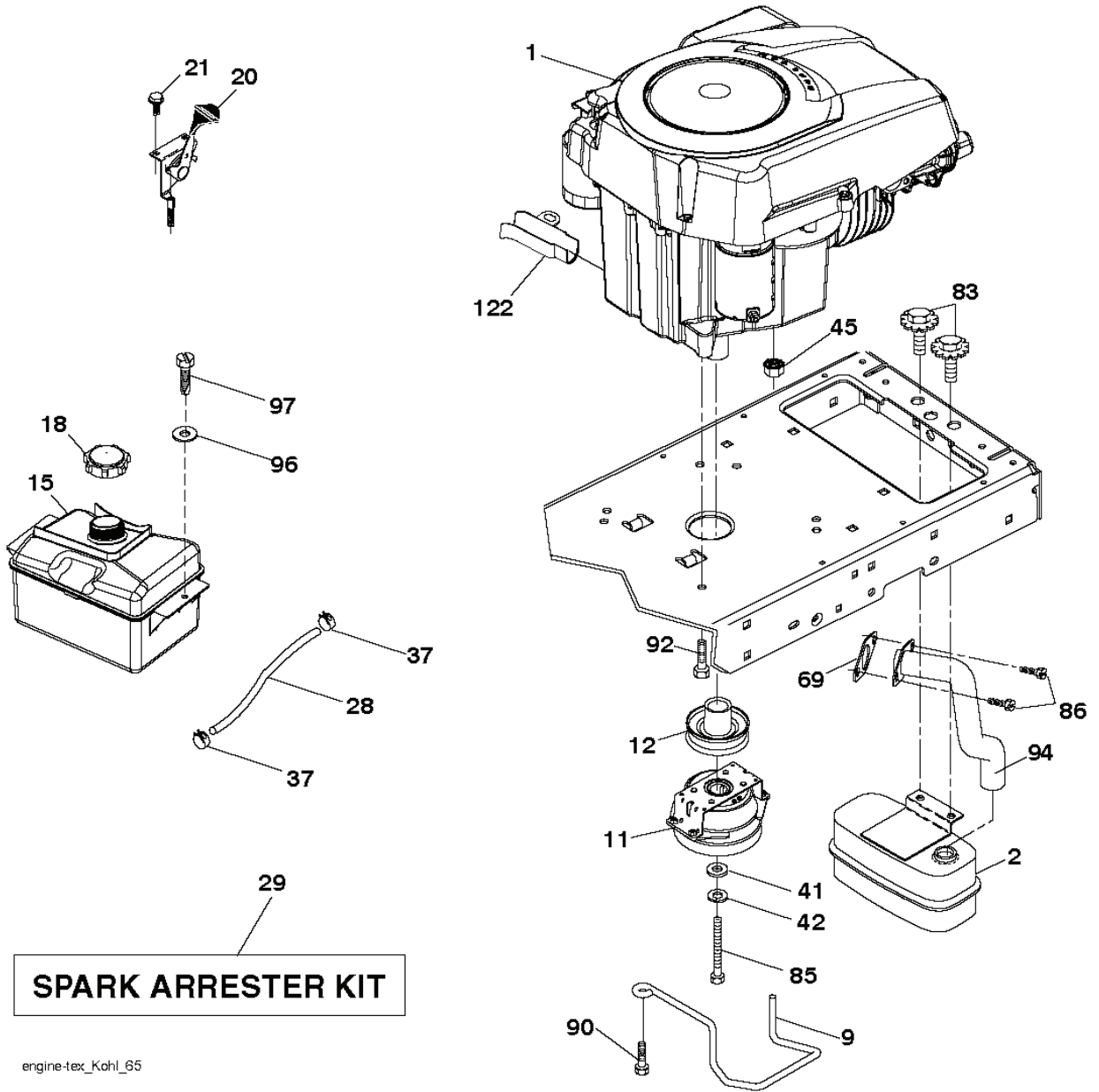
| REF. | PART NO. | DESCRIPTION | REMARK | QTY. | KIT |
|------|-----------|-------------|--------|------|-----|
| 1 | 581578101 | DECAL | | 1 | |
| 2 | 581627301 | DECAL | | 1 | |
| 3 | 581579701 | DECAL | | 1 | |
| 4 | 532448069 | DECAL | | 1 | |
| 5 | 581579601 | DECAL | | 1 | |
| 6 | 581724101 | DECAL | | 1 | |
| 8 | 532448060 | DECAL | | 1 | |
| 9 | 532145005 | DECAL | | 1 | |
| 10 | 581578001 | DECAL | | 1 | |
| 11 | 581579201 | DECAL | | 1 | |
| 12 | 581580003 | DECAL | | 1 | |
| 13 | 581724001 | DECAL | | 1 | |
| 14 | 584904601 | DECAL | | 1 | |
| 15 | 581579801 | DECAL | | 1 | |
| -- | 581724801 | DECAL | | 1 | |
| -- | 581724601 | DECAL | | 1 | |
| -- | 532439681 | PLATE | | 1 | |
| -- | 532439682 | PAD | | 1 | |



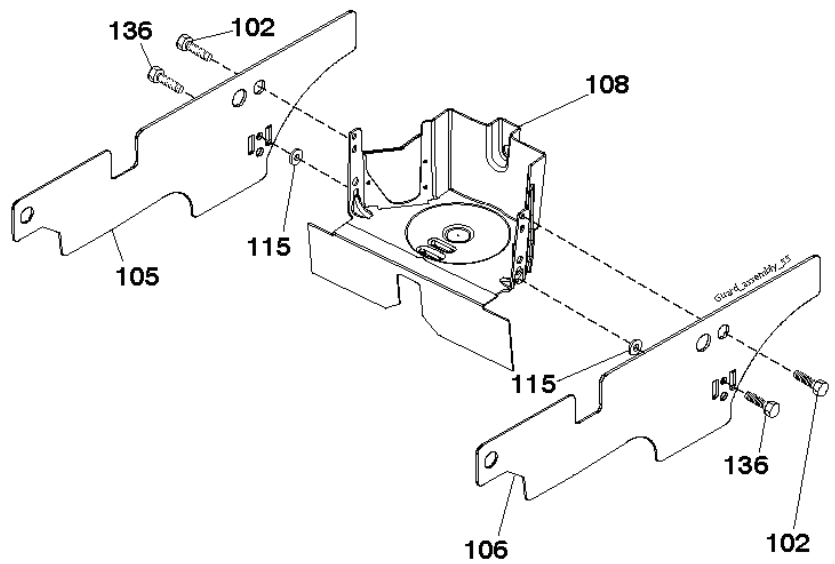
drive-tex_K46_pedal_139

| REF. | PART NO. | DESCRIPTION | REMARK | QTY. | KIT |
|------|-----------|--------------------------------|--|------|-----|
| 1 | 000000000 | W/O DESCRIPTION | TRANSAXLE TUFFTORO MODEL K46BT (426120) | 1 | |
| 2 | 532123583 | KEY | | 1 | |
| 15 | 819131316 | WASHER | | 1 | |
| 17 | 532413678 | SRPING.BRAKE.K46.GREEN*SUBS/2* | | 1 | |
| 29 | 532403806 | ROD | | 1 | |
| 33 | 812000001 | RETAINER RING | | 1 | |
| 35 | 532401031 | ROD | | 1 | |
| 42 | 532124872 | PEDAL RUBBER | | 1 | |
| 49 | 872110614 | BOLT | | 1 | |
| 50 | 532194327 | PULLEY | | 1 | |
| 51 | 873900600 | NUT | | 1 | |
| 52 | 532194326 | PULLEY | | 1 | |
| 56 | 532130969 | BELT | | 1 | |
| 64 | 532197865 | SHAFT | | 1 | |
| 73 | 874490540 | BOLT | | 1 | |
| 99 | 532415742 | ROD | | 1 | |
| 116 | 873900500 | NUT | | 1 | |
| 125 | 817000512 | SCREW | | 1 | |
| 143 | 817490508 | SCREW | | 1 | |
| 153 | 532124788 | RETAINER RING | | 1 | |
| 159 | 876020412 | SPLIT PIN | | 1 | |
| 160 | 532169484 | PIN | | 1 | |
| 161 | 532105709 | SPRING | | 1 | |
| 163 | 532448275 | CONTROL | | 1 | |
| 166 | 532429164 | NUT | | 1 | |
| 167 | 532405257 | LATCH | | 1 | |
| 170 | 532413430 | BELT GUIDE | | 1 | |
| 183 | 532137057 | SPACER | | 1 | |
| 184 | 532441407 | BRAKE | | 1 | |
| 185 | 872110622 | BOLT | | 1 | |
| 186 | 532194321 | SPACER | | 1 | |
| 187 | 819133210 | WASHER | | 1 | |
| 188 | 532194323 | LINK | | 1 | |
| 189 | 532194317 | PLATE | | 1 | |
| 190 | 532194318 | BELT GUIDE | | 1 | |
| 196 | 817000616 | SCREW | | 1 | |
| 197 | 585658601 | CLUTCH | | 1 | |
| 205 | 532121748 | WASHER | | 1 | |
| 210 | 532400980 | PEDAL ARM | | 1 | |
| 211 | 532120183 | BEARING | | 1 | |
| 214 | 532421263 | PAD | | 1 | |
| 215 | 532401723 | PEDAL | | 1 | |
| 216 | 532196131 | BRACKET | | 1 | |
| 221 | 532403187 | SPRING | | 1 | |
| 222 | 879212010 | WASHER | | 1 | |
| 225 | 532403319 | BELT GUIDE | | 1 | |
| 227 | 817490512 | SCREW | | 1 | |
| 230 | 532188967 | WASHER | | 1 | |
| 231 | 532407287 | PULLEY | | 1 | |
| 325 | 586431202 | BRACKET | | 1 | |
| 326 | 586001102 | BRACKET | | 1 | |
| 336 | 587259601 | BOLT | | 1 | |

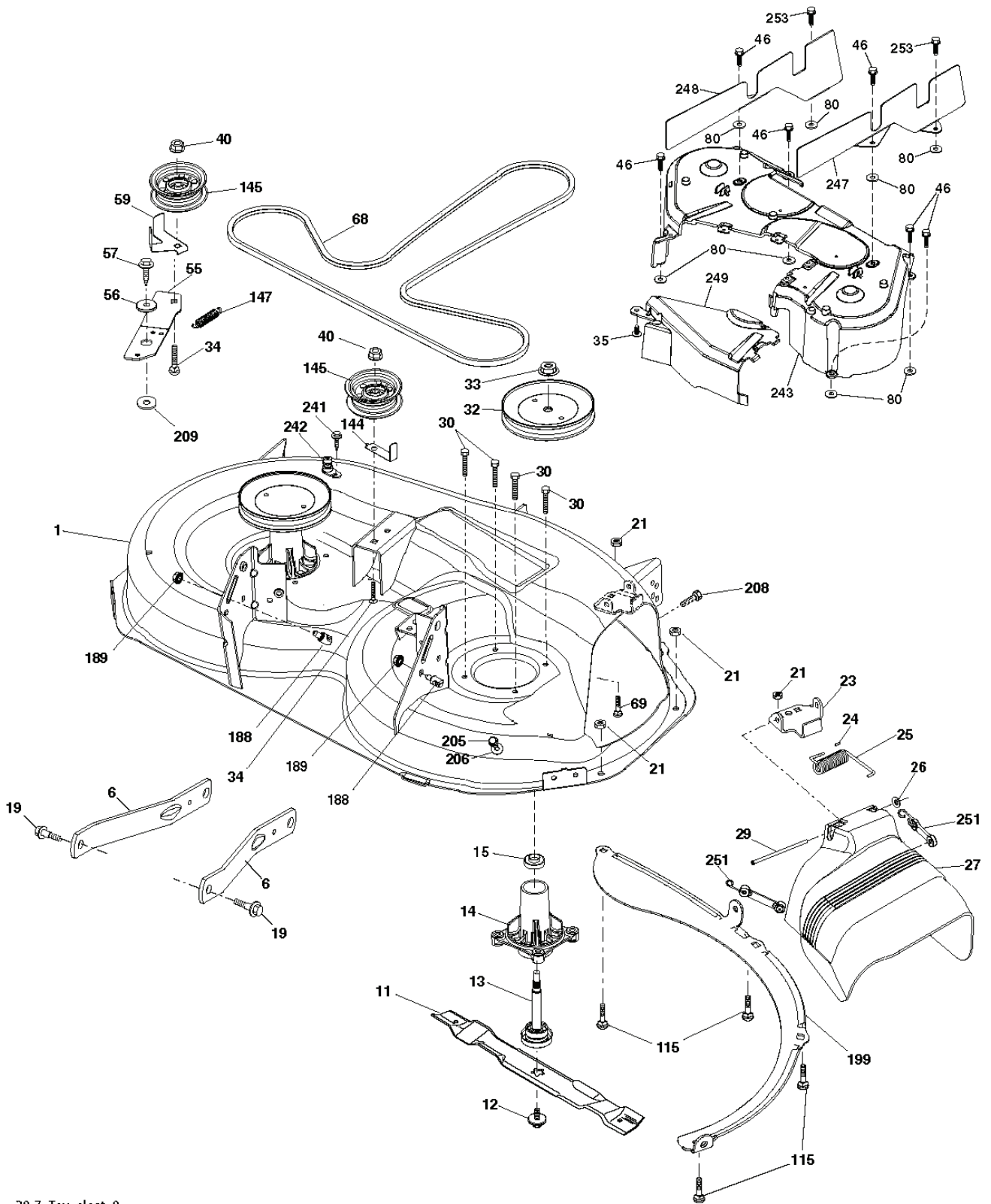
| REF. | PART NO. | DESCRIPTION | REMARK | QTY. | KIT |
|------|-----------|-----------------|--------|------|-----|
| 1 | 532163465 | BATTERY | | 1 | |
| 2 | 874760412 | BOLT | | 1 | |
| 8 | 532193228 | BOX | | 1 | |
| 16 | 532176138 | MICRO SWITCH | | 1 | |
| 21 | 532400252 | HARNESS | | 1 | |
| 22 | 532004152 | BULB | | 1 | |
| 25 | 585555401 | CABLE | | 1 | |
| 26 | 532175158 | FUSE | | 1 | |
| 27 | 873510400 | NUT | | 1 | |
| 28 | 532198885 | CABLE | | 1 | |
| 29 | 532401545 | SWITCH | | 1 | |
| 30 | 532193350 | IGNITION MODULE | | 1 | |
| 33 | 532411935 | KEY | | 1 | |
| 34 | 532110712 | SWITCH | | 1 | |
| 40 | 581022701 | HARNESS | | 1 | |
| 41 | 817720408 | SCREW | | 1 | |
| 42 | 532131563 | COVER | | 1 | |
| 43 | 532192507 | SOLENOID | | 1 | |
| 50 | 532174651 | SWITCH | | 1 | |
| 55 | 817060512 | SCREW | | 1 | |
| 71 | 532441544 | HARNESS | | 1 | |
| 79 | 532175242 | HOLDER | | 1 | |
| 90 | 532435395 | TERMINAL COVER | | 1 | |
| 102 | 532404454 | CABLE | | 1 | |
| 105 | 532407568 | SWITCH | | 1 | |
| 142 | 583857801 | HARNESS | | 1 | |
| 143 | 532448059 | HARNESS | | 1 | |



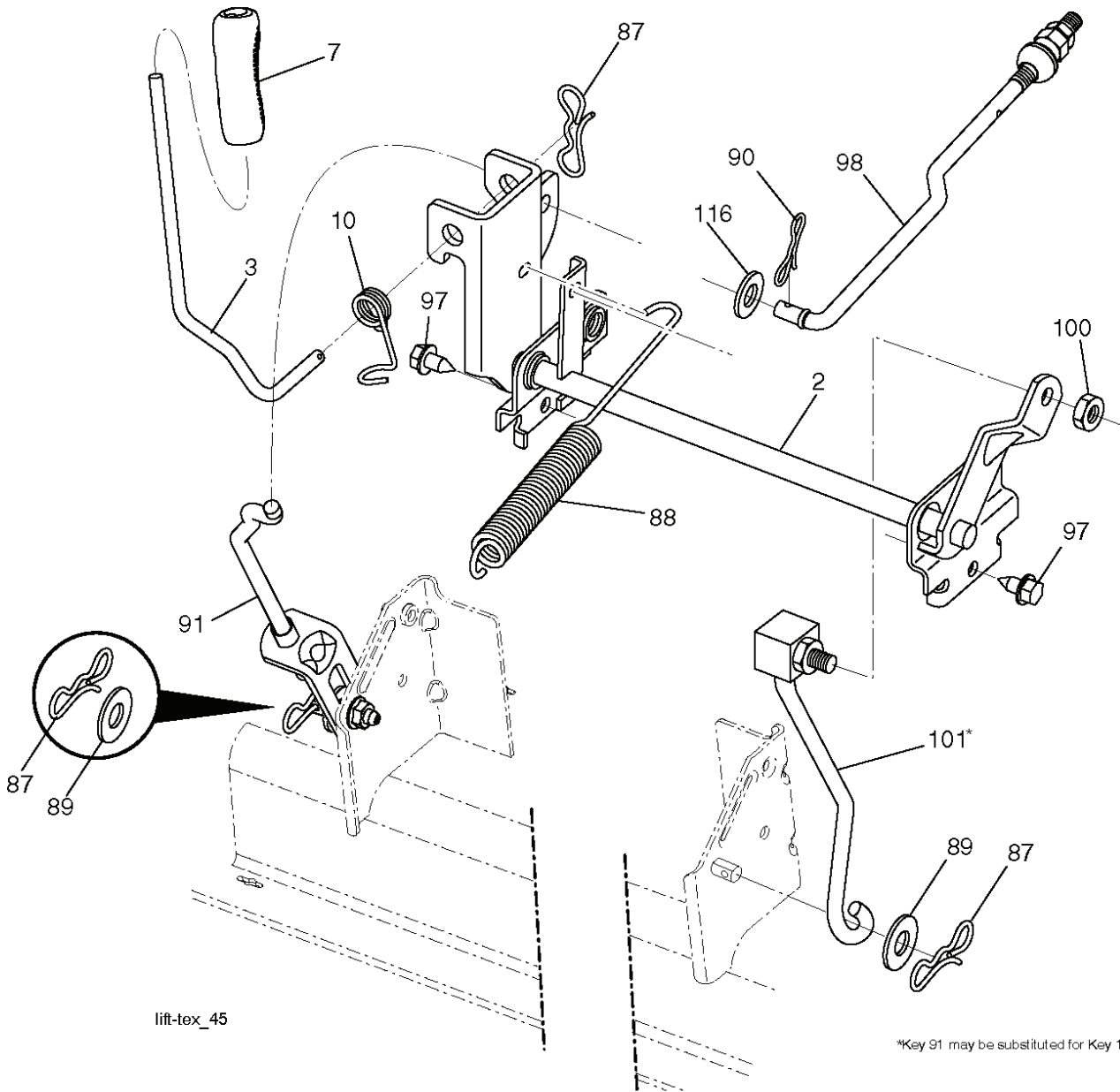
engine-tex_Kohl_65



| REF. | PART NO. | DESCRIPTION | REMARK | QTY. | KIT |
|------|-----------|--------------------|--|------|-----|
| 1 | 000000000 | W/O DESCRIPTION | Engine Kohl Model No. SV471-3210(585507301) | 1 | |
| 2 | 580532301 | MUFFLER | | 1 | |
| 9 | 584908001 | KEEPER | | 1 | |
| 11 | 587241501 | CLUTCH | | 1 | |
| 12 | 532405097 | PULLEY | | 1 | |
| 15 | 532407545 | FUEL TANK | | 1 | |
| 18 | 532430220 | FUEL CAP | | 1 | |
| 20 | 532183897 | CONTROL | | 1 | |
| 21 | 532416358 | SCREW | | 1 | |
| 28 | 532137040 | HOSE | | 1 | |
| 29 | 532137180 | SPARK ARRESTER KIT | | 1 | |
| 37 | 532123487 | HOSE CLAMP | | 1 | |
| 41 | 532126197 | WASHER | | 1 | |
| 42 | 810040700 | WASHER | | 1 | |
| 45 | 873510400 | NUT | | 1 | |
| 69 | 532165291 | GASKET | | 1 | |
| 83 | 532171877 | BOLT | | 1 | |
| 85 | 581332804 | BOLT | | 1 | |
| 86 | 532192334 | SCREW | | 1 | |
| 90 | 817000616 | SCREW | | 1 | |
| 92 | 817120616 | SCREW | | 1 | |
| 94 | 583955301 | TUBE | | 1 | |
| 96 | 819091416 | WASHER | | 1 | |
| 97 | 817670412 | SCREW | | 1 | |
| 102 | 817000512 | SCREW | | 1 | |
| 105 | 532410528 | PROTECTION | | 1 | |
| 106 | 532410529 | PROTECTION | | 1 | |
| 108 | 532421794 | ENGINE COVER | | 1 | |
| 115 | 532423062 | NUT | | 1 | |
| 122 | 532421922 | EXTENSION PIPE | | 1 | |
| 136 | 532137729 | SCREW | | 1 | |



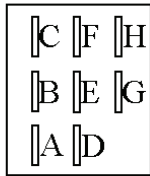
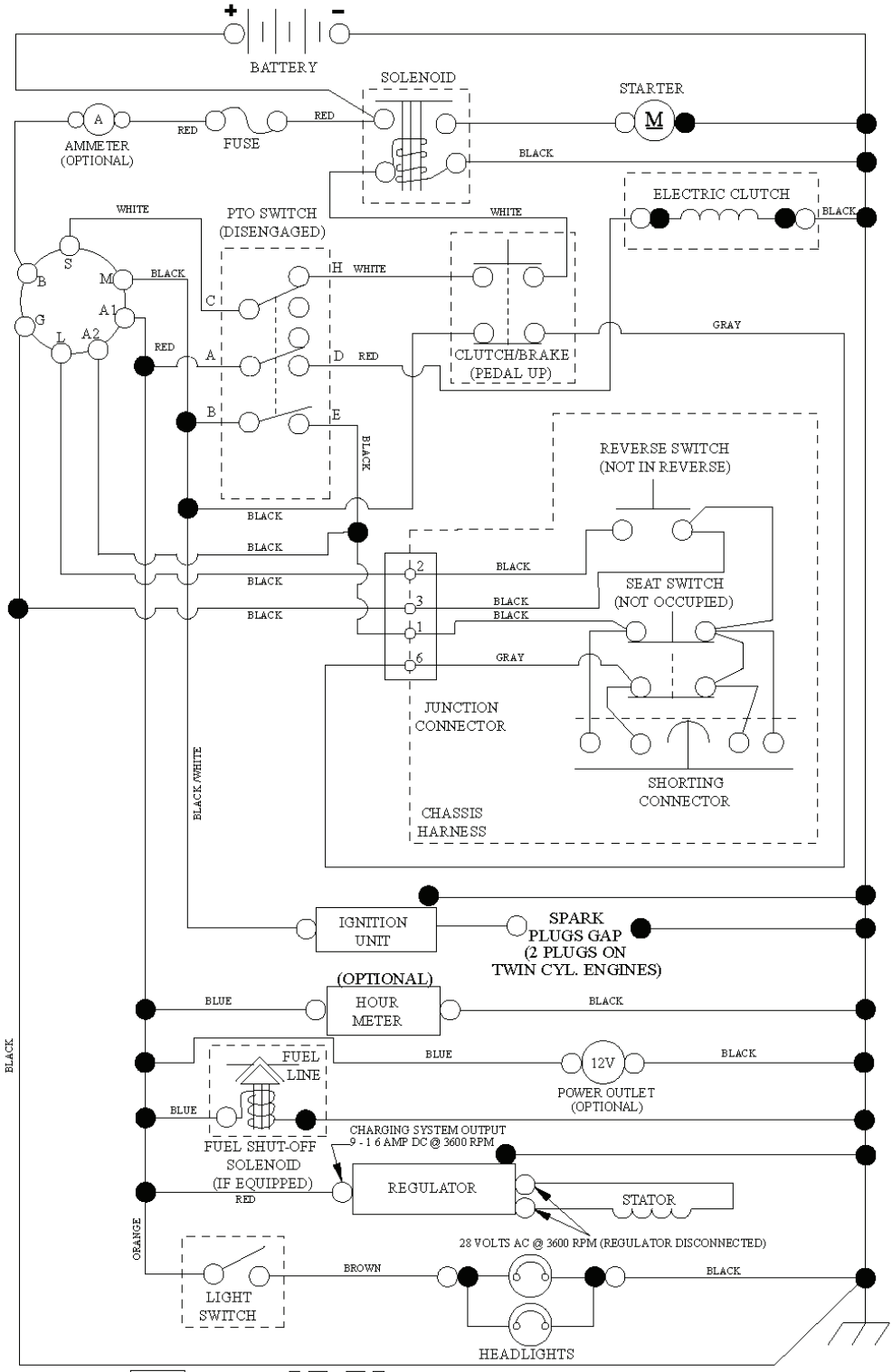
| REF. | PART NO. | DESCRIPTION | REMARK | QTY. | KIT |
|------|-----------|-------------------|--------|------|-----|
| 1 | 532444163 | HOUSING | | 1 | |
| 6 | 532195186 | ARM | | 1 | |
| 11 | 532193957 | RIDE ON BLADE | | 1 | |
| 12 | 584309301 | SCREW | | 1 | |
| 13 | 587256501 | SHAFT | | 1 | |
| 14 | 532187281 | BEARING HOUSING | | 1 | |
| 15 | 585323901 | BEARING | | 1 | |
| 19 | 532196539 | BOLT | | 1 | |
| 21 | 873680500 | NUT | | 1 | |
| 23 | 532192557 | HINGE | | 1 | |
| 24 | 532105304 | HUB CAP | | 1 | |
| 25 | 532197026 | TORSION SPRING | | 1 | |
| 26 | 532110452 | NUT | | 1 | |
| 27 | 532401618 | DEFLECTOR | | 1 | |
| 29 | 532131491 | SHAFT | | 1 | |
| 30 | 532173984 | SCREW | | 1 | |
| 32 | 532153532 | PULLEY | | 1 | |
| 33 | 532400234 | NUT | | 1 | |
| 34 | 872110612 | BOLT | | 1 | |
| 35 | 532133835 | XMAS TREE FASTNER | | 1 | |
| 40 | 873900600 | NUT | | 1 | |
| 46 | 532137729 | SCREW | | 1 | |
| 55 | 532197249 | ARM | | 1 | |
| 56 | 532199092 | SPACER | | 1 | |
| 57 | 817000616 | SCREW | | 1 | |
| 59 | 532141043 | GUARD | | 1 | |
| 68 | 532447559 | BELT | | 1 | |
| 69 | 872140505 | BOLT | | 1 | |
| 80 | 532423062 | NUT | | 1 | |
| 115 | 872110505 | BOLT | | 1 | |
| 144 | 532193414 | BELT GUIDE | | 1 | |
| 145 | 532193197 | PULLEY | | 1 | |
| 147 | 532197251 | SPRING | | 1 | |
| 188 | 532195161 | STUD | | 1 | |
| 189 | 873900500 | NUT | | 1 | |
| 199 | 532400095 | BAFFLE | | 1 | |
| 205 | 817490416 | SCREW | | 1 | |
| 206 | 819091416 | WASHER | | 1 | |
| 208 | 817670608 | SCREW | | 1 | |
| 209 | 819133210 | WASHER | | 1 | |
| 241 | 532152927 | SCREW | | 1 | |
| 242 | 532415598 | HOSE COUPLING | | 1 | |
| 243 | 532406510 | COVER | | 1 | |
| 247 | 532432361 | SHIELD | | 1 | |
| 248 | 532432360 | SHIELD | | 1 | |
| 249 | 532406514 | COVER | | 1 | |
| 251 | 532436087 | ELASTIC STRAP | | 1 | |
| 253 | 532427350 | SCREW | | 1 | |
| -- | 587253301 | MANDREL | | 1 | |
| -- | 580287001 | CUTTING DECK | | 1 | |



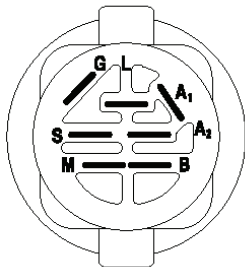
lift-tex_45

*Key 91 may be substituted for Key 101

| REF. | PART NO. | DESCRIPTION | REMARK | QTY. | KIT |
|------|-----------|-------------|--------|------|-----|
| 2 | 532422027 | SHAFT | | 1 | |
| 3 | 532195231 | LEVER | | 1 | |
| 7 | 580962301 | GRIP | | 1 | |
| 10 | 532196314 | SPRING | | 1 | |
| 87 | 532194209 | SPRING | | 1 | |
| 88 | 532410710 | SPRING | | 1 | |
| 89 | 819191912 | WASHER | | 1 | |
| 90 | 532194208 | PIN | | 1 | |
| 91 | 532195181 | LINK | | 1 | |
| 97 | 817000612 | SCREW | | 1 | |
| 98 | 532195270 | LINK | | 1 | |
| 100 | 873930600 | NUT | | 1 | |
| 101 | 532407003 | LINK | | 1 | |
| 116 | 819151516 | WASHER | | 1 | |

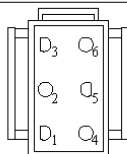


PTO SWITCH (MATING SIDE)

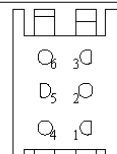


IGNITION SWITCH

| POSITION | CIRCUIT | "MAKE" |
|--------------|---------|--------|
| OFF | M+G+A1 | |
| RUN/OVERRIDE | B+A1 | |
| RUN | B+A1 | L+A2 |
| START | B+S+A1 | |



CHASSIS HARNESS CONNECTOR (MATING SIDE)



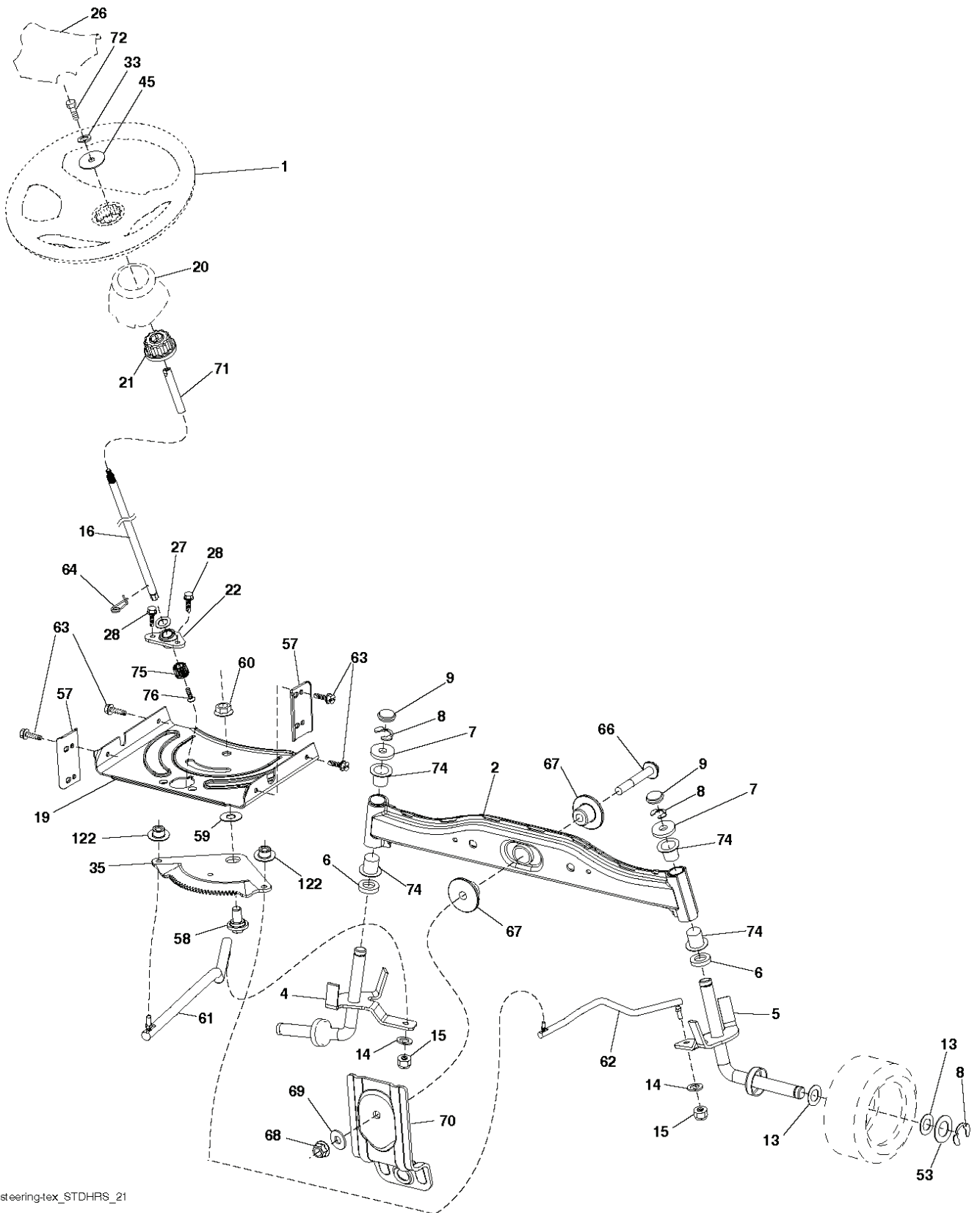
DASH HARNESS CONNECTOR

WIRING INSULATED CLIPS
NOTE: IF WIRING INSULATED CLIPS WERE REMOVED FOR SERVICING OF UNIT, THEY SHOULD BE RE-INSTALLED TO PROPERLY SECURE YOUR WIRING.

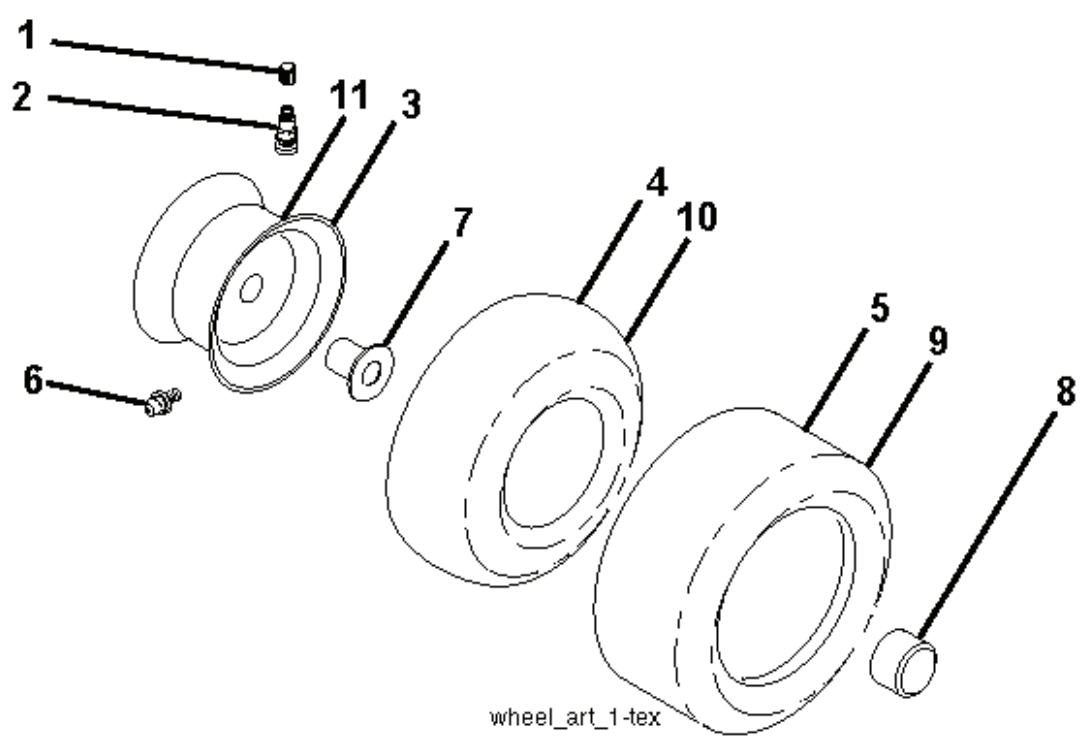
● NON-REMOVABLE CONNECTIONS

○ REMOVABLE CONNECTIONS

| REF. | PART NO. | DESCRIPTION | REMARK | QTY. | KIT |
|------|-----------|-------------|--------|------|-----|
| 1 | 532439819 | SEAT | | 1 | |
| 2 | 532180166 | BRACKET | | 1 | |
| 3 | 532140675 | STRAP | | 1 | |
| 6 | 873800600 | NUT | | 1 | |
| 7 | 532124181 | SPRING | | 1 | |
| 8 | 532171877 | BOLT | | 1 | |
| 10 | 532196977 | PLATE | | 1 | |
| 21 | 532171852 | BOLT | | 1 | |
| 37 | 873800500 | LOCK NUT | | 1 | |
| 40 | 532197661 | HANDLE | | 1 | |
| 41 | 532198200 | SPRING | | 1 | |
| 43 | 874760612 | BOLT | | 1 | |
| 44 | 819133812 | WASHER | | 1 | |



| REF. | PART NO. | DESCRIPTION | REMARK | QTY. | KIT |
|------|-----------|--------------------|--------|------|-----|
| 1 | 532439740 | STEERING WHEEL | | 1 | |
| 2 | 532418168 | AXLE | | 1 | |
| 4 | 532403087 | SPINDLE | | 1 | |
| 5 | 532403088 | SPINDLE | | 1 | |
| 6 | 532124931 | WASHER | | 1 | |
| 7 | 532121748 | WASHER | | 1 | |
| 8 | 812000029 | RETAINER RING | | 1 | |
| 9 | 532121232 | HUB CAP | | 1 | |
| 13 | 532121749 | WASHER | | 1 | |
| 14 | 810040600 | WASHER | | 1 | |
| 15 | 873540600 | NUT | | 1 | |
| 16 | 585869202 | SHAFT | | 1 | |
| 19 | 532194729 | PLATE | | 1 | |
| 20 | 532441425 | COVER | | 1 | |
| 21 | 532186737 | ADAPTER | | 1 | |
| 22 | 585029802 | BEARING | | 1 | |
| 26 | 532439743 | HUB CAP | | 1 | |
| 27 | 819211616 | WASHER | | 1 | |
| 28 | 817000612 | SCREW | | 1 | |
| 33 | 810040500 | WASHER | | 1 | |
| 35 | 532194732 | PLATE | | 1 | |
| 45 | 819113812 | WASHER | | 1 | |
| 53 | 532188967 | WASHER | | 1 | |
| 57 | 532407465 | BRACKET | | 1 | |
| 58 | 532194747 | BOLT | | 1 | |
| 59 | 532194748 | WASHER | | 1 | |
| 60 | 873971000 | NUT | | 1 | |
| 61 | 532194740 | LINK | | 1 | |
| 62 | 532194741 | LINK | | 1 | |
| 63 | 817000512 | SCREW | | 1 | |
| 64 | 532199849 | SPRING RETAINER | | 1 | |
| 66 | 871020748 | BOLT | | 1 | |
| 67 | 532194737 | BUSHING | | 1 | |
| 68 | 873900700 | NUT | | 1 | |
| 69 | 532199162 | WASHER | | 1 | |
| 70 | 532196197 | BRACKET | | 1 | |
| 71 | 532190752 | SHAFT | | 1 | |
| 72 | 532428982 | BOLT | | 1 | |
| 74 | 532124937 | BEARING COL. STRG. | | 1 | |
| 75 | 580683701 | PINION | | 1 | |
| 76 | 580683601 | SCREW | | 1 | |
| 122 | 532444962 | CAP | | 1 | |



wheel_art_1-tex

| REF. | PART NO. | DESCRIPTION | REMARK | QTY. | KIT |
|------|-----------|--------------|---------------------------|------|-----|
| 1 | 532059192 | CAP VALVE | | 1 | |
| 2 | 532065139 | NIPPLE | | 1 | |
| 3 | 532138336 | RIM | Front 6" | 1 | |
| 4 | 532059904 | HOSE | Front (Service Item Only) | 1 | |
| 5 | 532106222 | TIRE | Front 15 x 6.0-6 | 1 | |
| 6 | 532124957 | FITTING | (Front Wheel Only) | 1 | |
| 7 | 532124959 | BEARING | (Front Wheel Only) | 1 | |
| 8 | 532175039 | HUB CAP | | 1 | |
| 9 | 532420531 | TIRE | Rear 18 x 9.5-8 | 1 | |
| 10 | 532124926 | HOSE | Rear (Service Item Only) | 1 | |
| 11 | 532138337 | RIM SPROCKET | Rear 8" | 1 | |
| -- | 532144334 | SEALING FOAM | | 1 | |
| | PART NO. | | REMARK | | KIT |