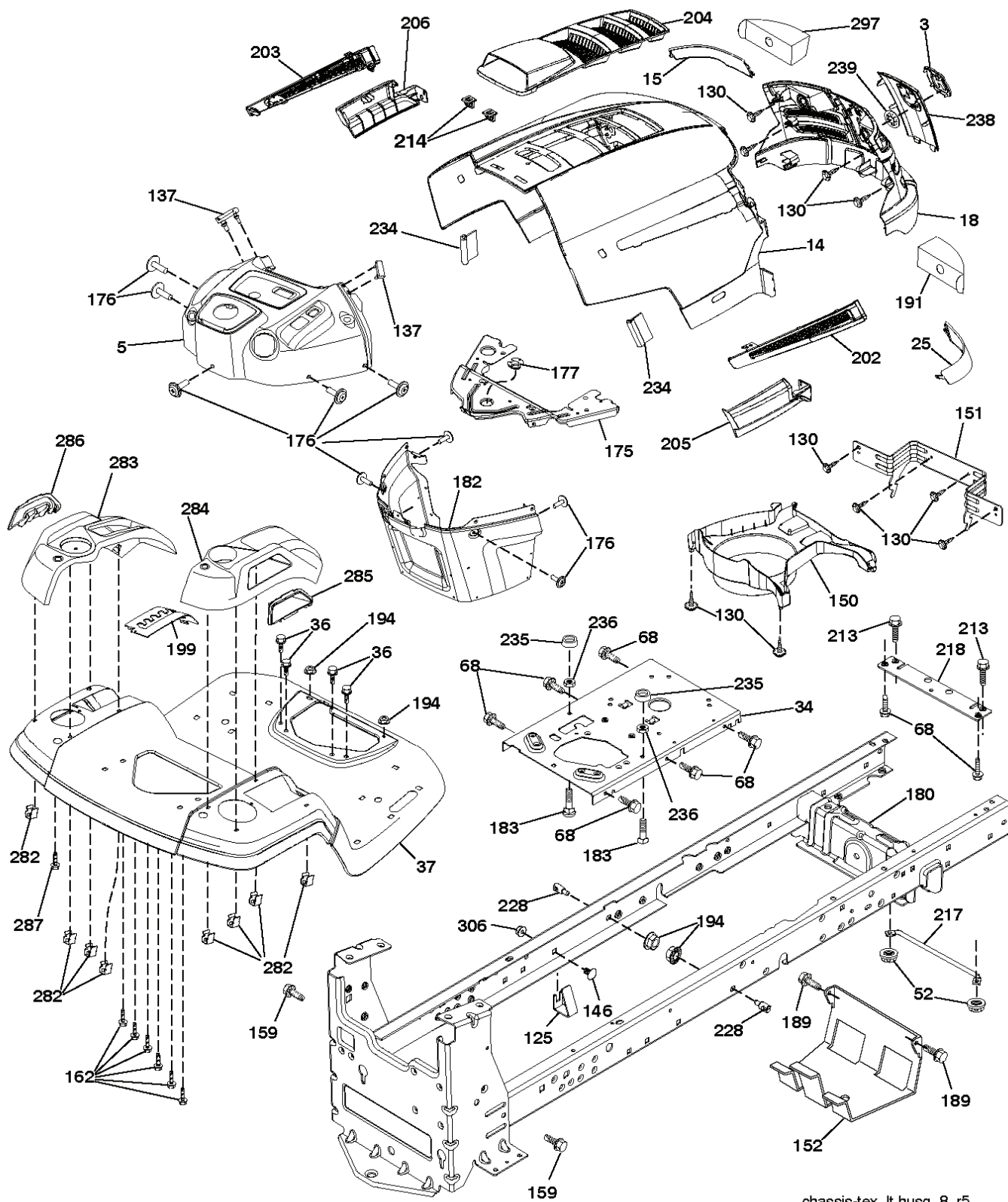


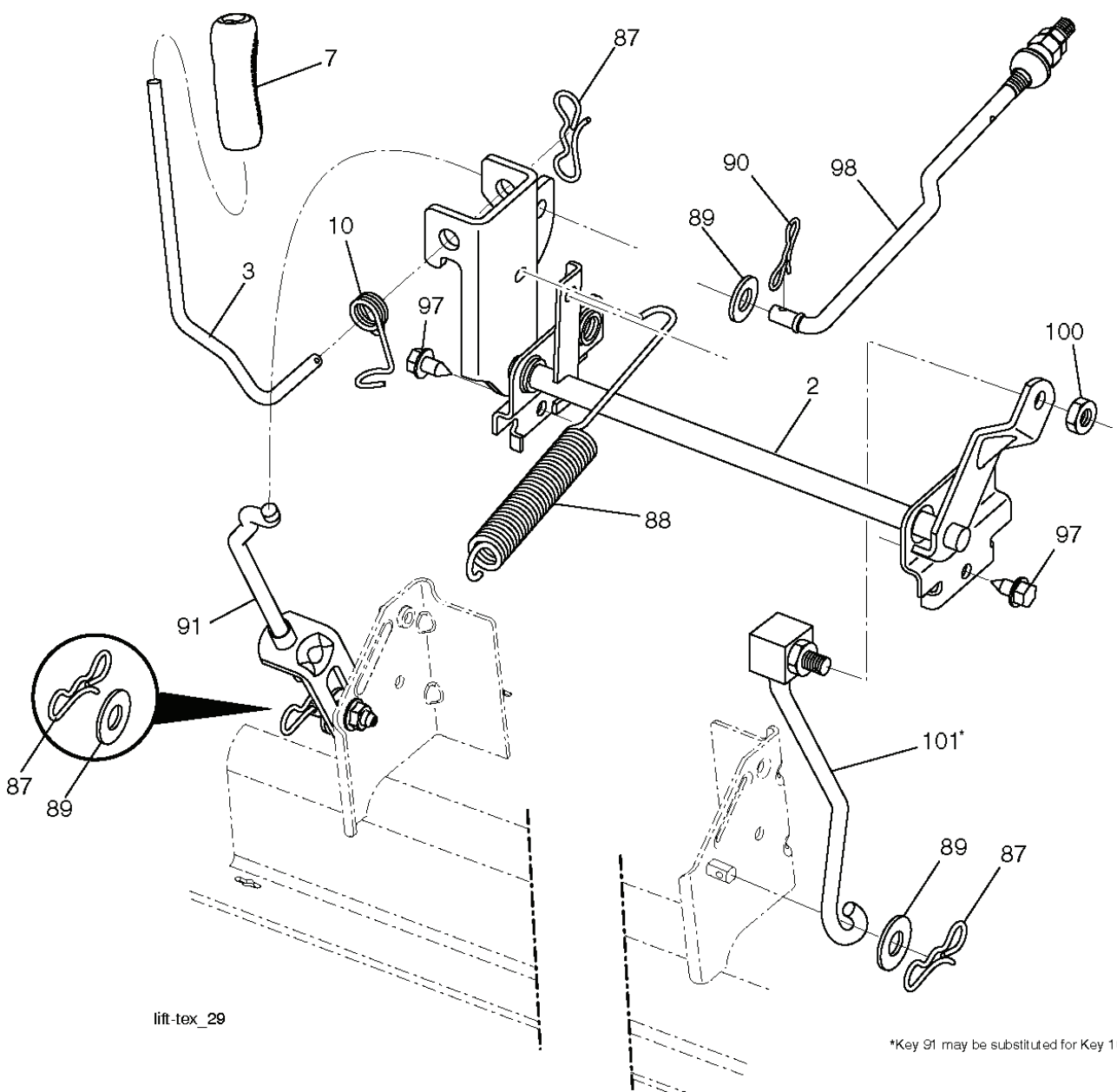
LTH2038 R, 96041028300, 2012-05

---

# **SPARE PARTS LIST**



| REF. | PART NO.  | DESCRIPTION   | REMARK   | QTY. | KIT |
|------|-----------|---------------|----------|------|-----|
| 3    | 581056301 | LOGOTYPE      |          | 1    |     |
| 5    | 532438964 | DASH          |          | 1    |     |
| 14   | 532441267 | HOOD          |          | 1    |     |
| 15   | 532441428 | LENS          |          | 1    |     |
| 18   | 532441368 | GRILLE        |          | 1    |     |
| 25   | 532441427 | LENS          |          | 1    |     |
| 34   | 580910801 | CHASSIS       |          | 1    |     |
| 36   | 817060512 | SCREW         |          | 1    |     |
| 37   | 532441266 | FENDER        |          | 1    |     |
| 52   | 873680500 | NUT           |          | 1    |     |
| 68   | 817490508 | SCREW         |          | 1    |     |
| 125  | 581684801 | CLIP          |          | 1    |     |
| 130  | 532416358 | SCREW         |          | 1    |     |
| 137  | 532407590 | DAMPING PIECE |          | 1    |     |
| 146  | 581857901 | BOLT          |          | 1    |     |
| 150  | 532407537 | AIR CONDUCTOR |          | 1    |     |
| 151  | 532407807 | BRACKET       |          | 1    |     |
| 152  | 532199535 | SHIELD        |          | 1    |     |
| 159  | 817000612 | SCREW         |          | 1    |     |
| 162  | 532142432 | SCREW         |          | 1    |     |
| 175  | 532199472 | PLATE         |          | 1    |     |
| 176  | 532400776 | SCREW         |          | 1    |     |
| 177  | 532195228 | BUSHING       |          | 1    |     |
| 180  | 532195457 | CHASSIS       |          | 1    |     |
| 182  | 532407176 | DASH          |          | 1    |     |
| 183  | 874520520 | BOLT          |          | 1    |     |
| 189  | 817000512 | SCREW         |          | 1    |     |
| 191  | 532416501 | INSERT        |          | 1    |     |
| 194  | 873900500 | NUT           |          | 1    |     |
| 199  | 532413485 | PLATE         |          | 1    |     |
| 202  | 532441342 | COVER         |          | 1    |     |
| 203  | 532441343 | COVER         |          | 1    |     |
| 204  | 532441375 | COVER         |          | 1    |     |
| 205  | 532441344 | SKIRT         |          | 1    |     |
| 206  | 532441345 | SKIRT         |          | 1    |     |
| 213  | 874760512 | BOLT          |          | 1    |     |
| 214  | 532199145 | CLIP          |          | 1    |     |
| 217  | 532409167 | ROD           |          | 1    |     |
| 218  | 532196395 | PLATE         |          | 1    |     |
| 228  | 532195161 | STUD          |          | 1    |     |
| 234  | 532404742 | DAMPING PIECE |          | 1    |     |
| 235  | 532406129 | SPACER        |          | 1    |     |
| 236  | 873930500 | NUT           |          | 1    |     |
| 238  | 532441374 | SPARE PARTS   |          | 1    |     |
| 239  | 532404883 | CLIP          |          | 1    |     |
| 282  | 532414110 | CLIP          |          | 1    |     |
| 283  | 532442039 | DECK          |          | 1    |     |
| 284  | 532439823 | CONSOLE       |          | 1    |     |
| 285  | 532416315 | CONSOLE       |          | 1    |     |
| 286  | 532416317 | CONSOLE       |          | 1    |     |
| 287  | 817600406 | SCREW         |          | 1    |     |
| 297  | 532406665 | INSERT        |          | 1    |     |
| 306  | 873900600 | NUT           |          | 1    |     |
| --   | 532400944 | FRONT BUMPER  | *SUBS/2* | 1    |     |

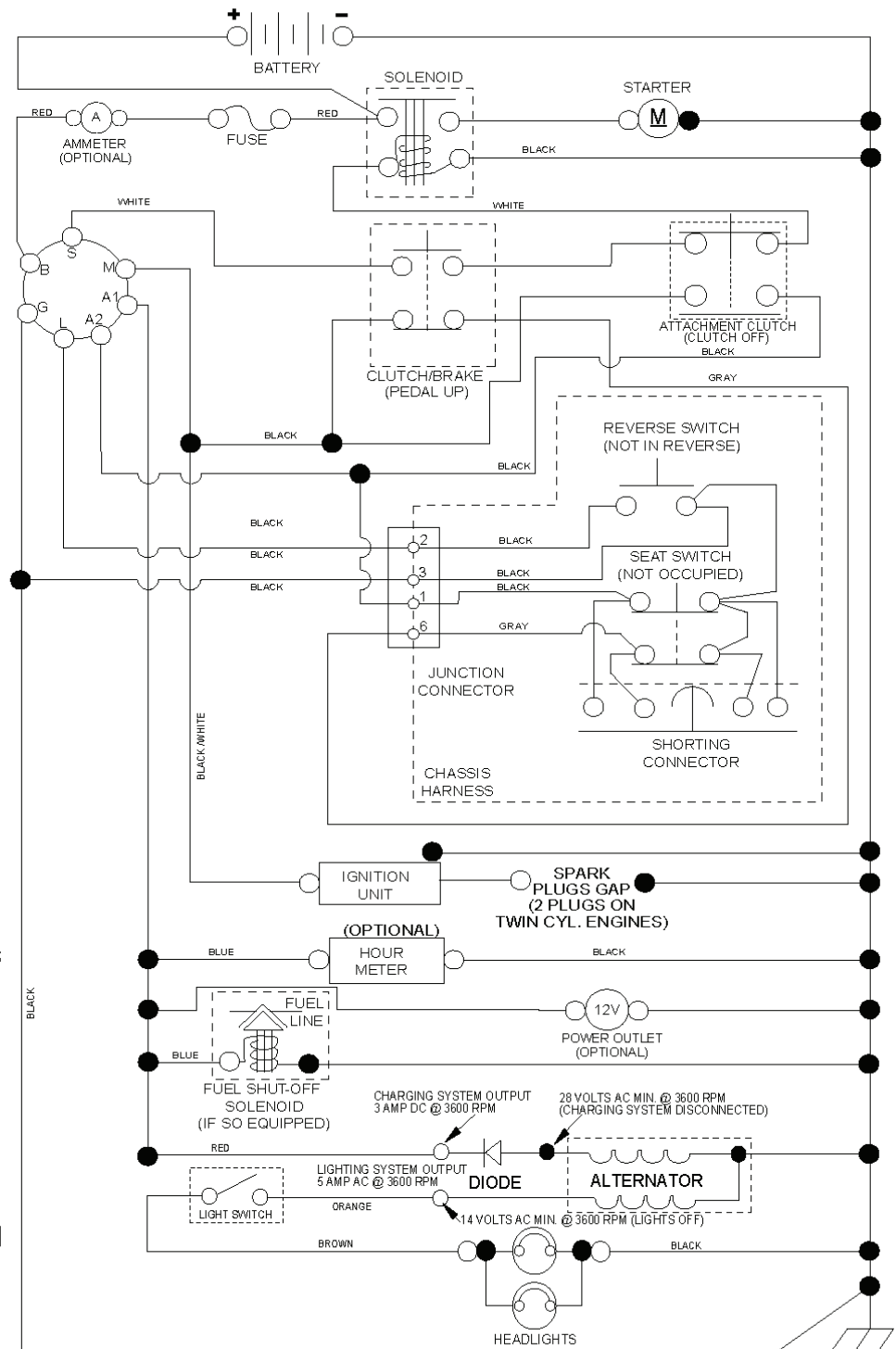


lift-tex\_29

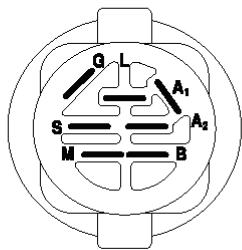
\*Key 91 may be substituted for Key 101

---

| REF. | PART NO.  | DESCRIPTION | REMARK | QTY. | KIT |
|------|-----------|-------------|--------|------|-----|
| 2    | 532422027 | SHAFT       |        | 1    |     |
| 3    | 532195231 | LEVER       |        | 1    |     |
| 7    | 580962301 | GRIP        |        | 1    |     |
| 10   | 532196314 | SPRING      |        | 1    |     |
| 87   | 532194209 | SPRING      |        | 1    |     |
| 88   | 532410710 | SPRING      |        | 1    |     |
| 89   | 819191912 | WASHER      |        | 1    |     |
| 90   | 532194208 | PIN         |        | 1    |     |
| 91   | 532195181 | LINK        |        | 1    |     |
| 97   | 817000612 | SCREW       |        | 1    |     |
| 98   | 532195270 | LINK        |        | 1    |     |
| 100  | 873930600 | NUT         |        | 1    |     |
| 101  | 532407003 | LINK        |        | 1    |     |

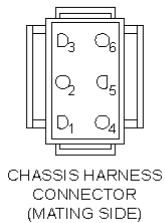


**NOTE**  
 YOUR TRACTOR IS EQUIPPED WITH A SPECIAL ALTERNATOR SYSTEM. THE LIGHTS ARE NOT CONNECTED TO THE BATTERY, BUT HAVE THEIR OWN ELECTRICAL SOURCE. BECAUSE OF THIS, THE BRIGHTNESS OF THE LIGHTS WILL CHANGE WITH ENGINE SPEED. AT IDLE THE LIGHTS WILL DIM. AS THE ENGINE IS SPEEDED UP, THE LIGHTS WILL BECOME THEIR BRIGHTEST.

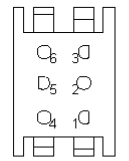


**IGNITION SWITCH**

| POSITION     | CIRCUIT    | "MAKE" |
|--------------|------------|--------|
| OFF          | M+G+A1     |        |
| RUN/OVERRIDE | B+A1       |        |
| RUN          | B+A1       | L+A2   |
| START        | B + S + A1 |        |

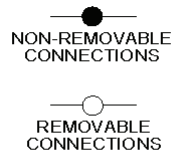


CHASSIS HARNESS CONNECTOR (MATING SIDE)



DASH HARNESS CONNECTOR (MATING SIDE)

**WIRING INSULATED CLIPS**  
 NOTE: IF WIRING INSULATED CLIPS WERE REMOVED FOR SERVICING OF UNIT, THEY SHOULD BE RE-INSTALLED TO PROPERLY SECURE YOUR WIRING.

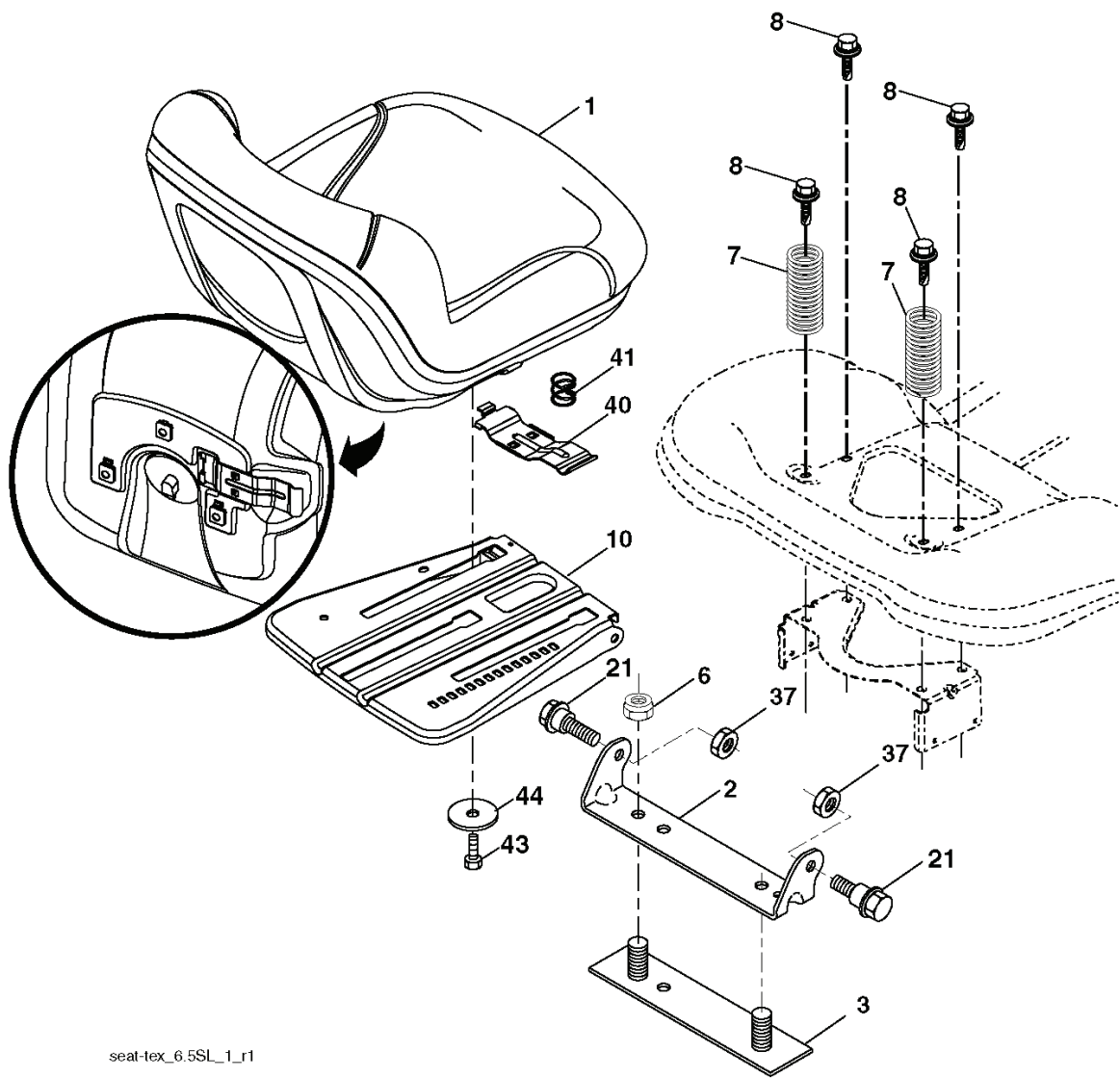


NON-REMOVABLE CONNECTIONS

REMOVABLE CONNECTIONS



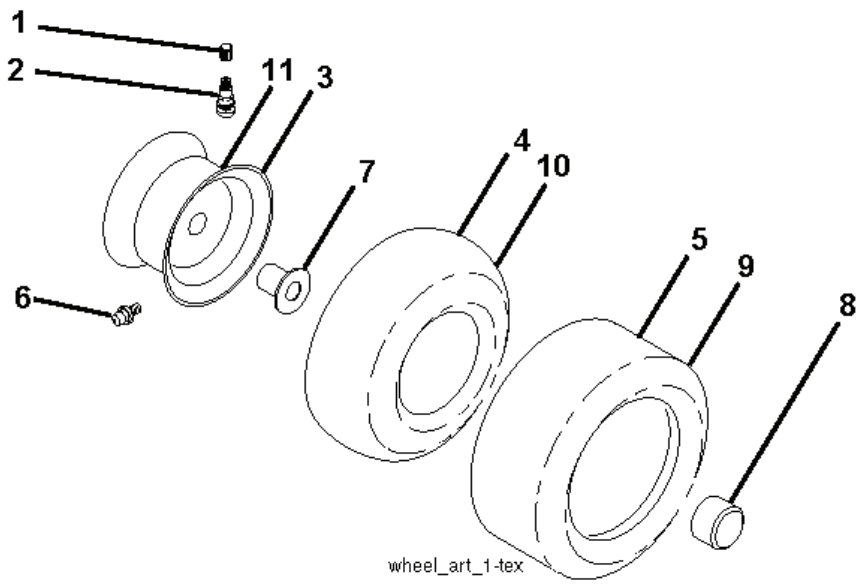




seat-tex\_6.5SL\_1\_r1

---

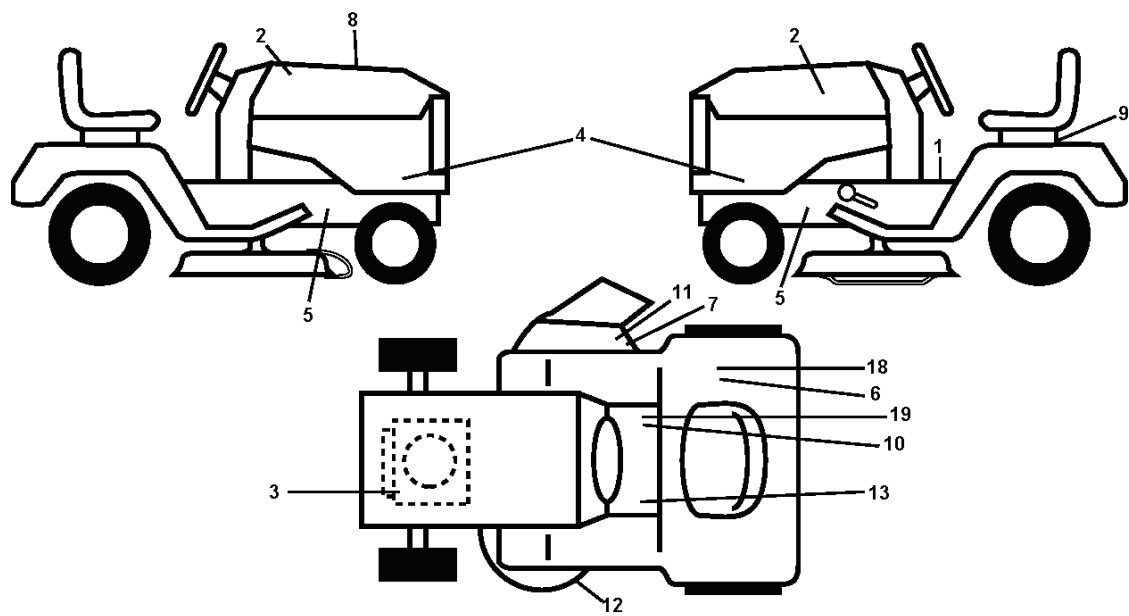
| REF. | PART NO.  | DESCRIPTION | REMARK | QTY. | KIT |
|------|-----------|-------------|--------|------|-----|
| 1    | 532439822 | SEAT        |        | 1    |     |
| 2    | 532180166 | BRACKET     |        | 1    |     |
| 3    | 532140675 | STRAP       |        | 1    |     |
| 6    | 873800600 | NUT         |        | 1    |     |
| 7    | 532124181 | SPRING      |        | 1    |     |
| 8    | 532171877 | BOLT        |        | 1    |     |
| 10   | 532196977 | PLATE       |        | 1    |     |
| 21   | 532171852 | BOLT        |        | 1    |     |
| 37   | 873800500 | LOCK NUT    |        | 1    |     |
| 40   | 532197661 | HANDLE      |        | 1    |     |
| 41   | 532198200 | SPRING      |        | 1    |     |
| 43   | 874760612 | BOLT        |        | 1    |     |
| 44   | 819133812 | WASHER      |        | 1    |     |



wheel\_art\_1-tex

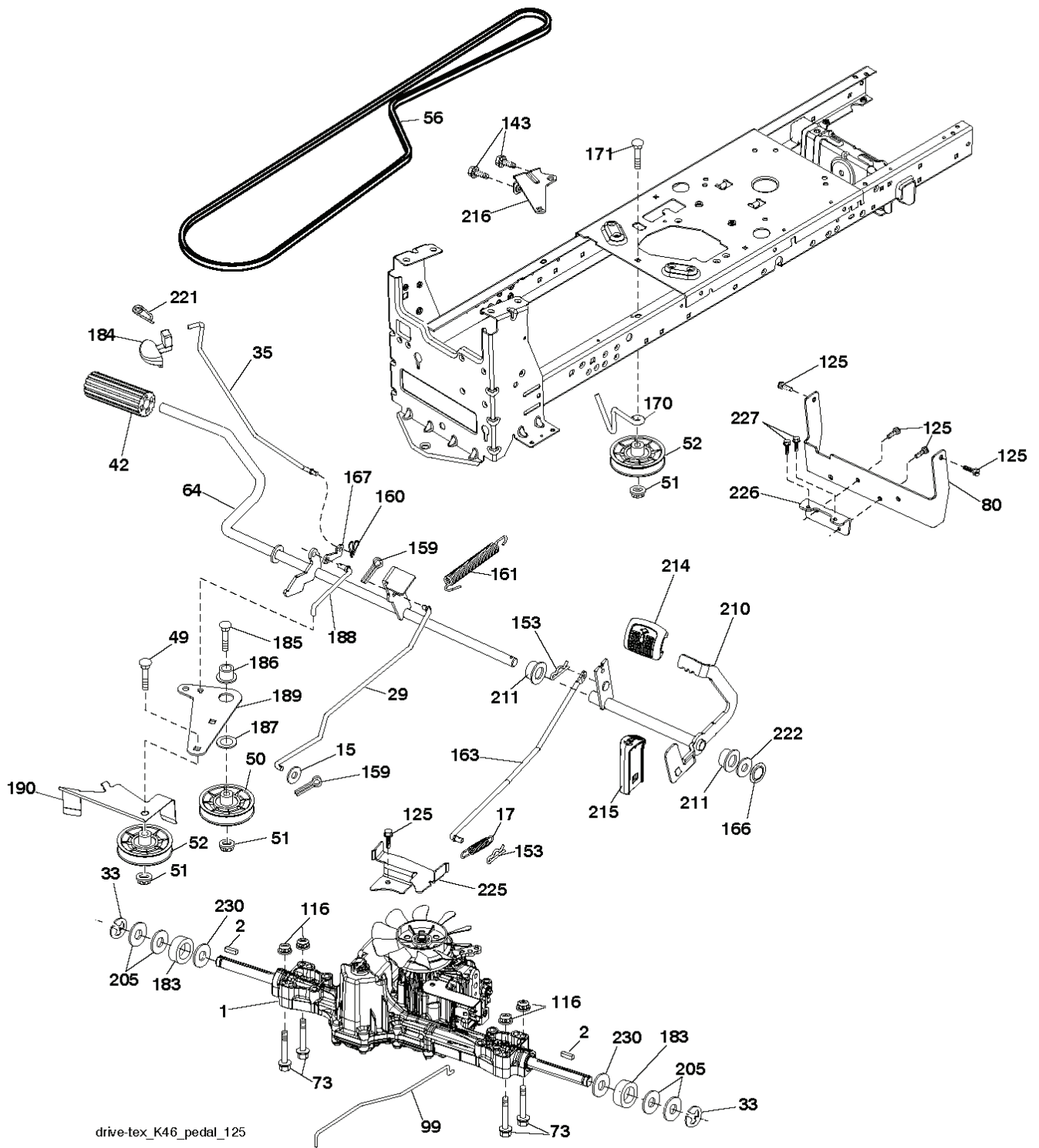
---

| REF. | PART NO.  | DESCRIPTION  | REMARK                    | QTY. | KIT |
|------|-----------|--------------|---------------------------|------|-----|
| 1    | 532059192 | CAP VALVE    |                           | 1    |     |
| 2    | 532065139 | NIPPLE       |                           | 1    |     |
| 3    | 532138336 | RIM          | Front 6"                  | 1    |     |
| 4    | 532059904 | HOSE         | Front (Service Item Only) | 1    |     |
| 5    | 532106222 | TIRE         | Front 15 x 6.0-6          | 1    |     |
| 6    | 532124957 | FITTING      | (Front Wheel Only)        | 1    |     |
| 7    | 532124959 | BEARING      | (Front Wheel Only)        | 1    |     |
| 8    | 532175039 | HUB CAP      |                           | 1    |     |
| 9    | 532122082 | TIRE         | Rear 20 x 10-8            | 1    |     |
| 10   | 532124926 | HOSE         | Rear (Service Item Only)  | 1    |     |
| 11   | 532138337 | RIM SPROCKET | Rear 8"                   | 1    |     |
| --   | 532144334 | SEALING FOAM |                           | 1    |     |



---

| REF. | PART NO.  | DESCRIPTION | REMARK | QTY. | KIT |
|------|-----------|-------------|--------|------|-----|
| 1    | 581578101 | DECAL       |        | 1    |     |
| 2    | 581627301 | DECAL       |        | 1    |     |
| 3    | 581579701 | DECAL       |        | 1    |     |
| 4    | 532448550 | DECAL       |        | 1    |     |
| 5    | 581579601 | DECAL       |        | 1    |     |
| 6    | 532124433 | DECAL       |        | 1    |     |
| 7    | 581579201 | DECAL       |        | 1    |     |
| 8    | 532443835 | DECAL       |        | 1    |     |
| 9    | 532145005 | DECAL       |        | 1    |     |
| 10   | 581578001 | DECAL       |        | 1    |     |
| 11   | 581579101 | DECAL       |        | 1    |     |
| 12   | 581580003 | DECAL       |        | 1    |     |
| 13   | 581724001 | DECAL       |        | 1    |     |
| 18   | 581724103 | DECAL       |        | 1    |     |
| 19   | 532178302 | DECAL       |        | 1    |     |
| --   | 581724601 | DECAL       |        | 1    |     |
| --   | 581724801 | DECAL       |        | 1    |     |
| --   | 532439681 | PLATE       |        | 1    |     |
| --   | 532439682 | PAD         |        | 1    |     |

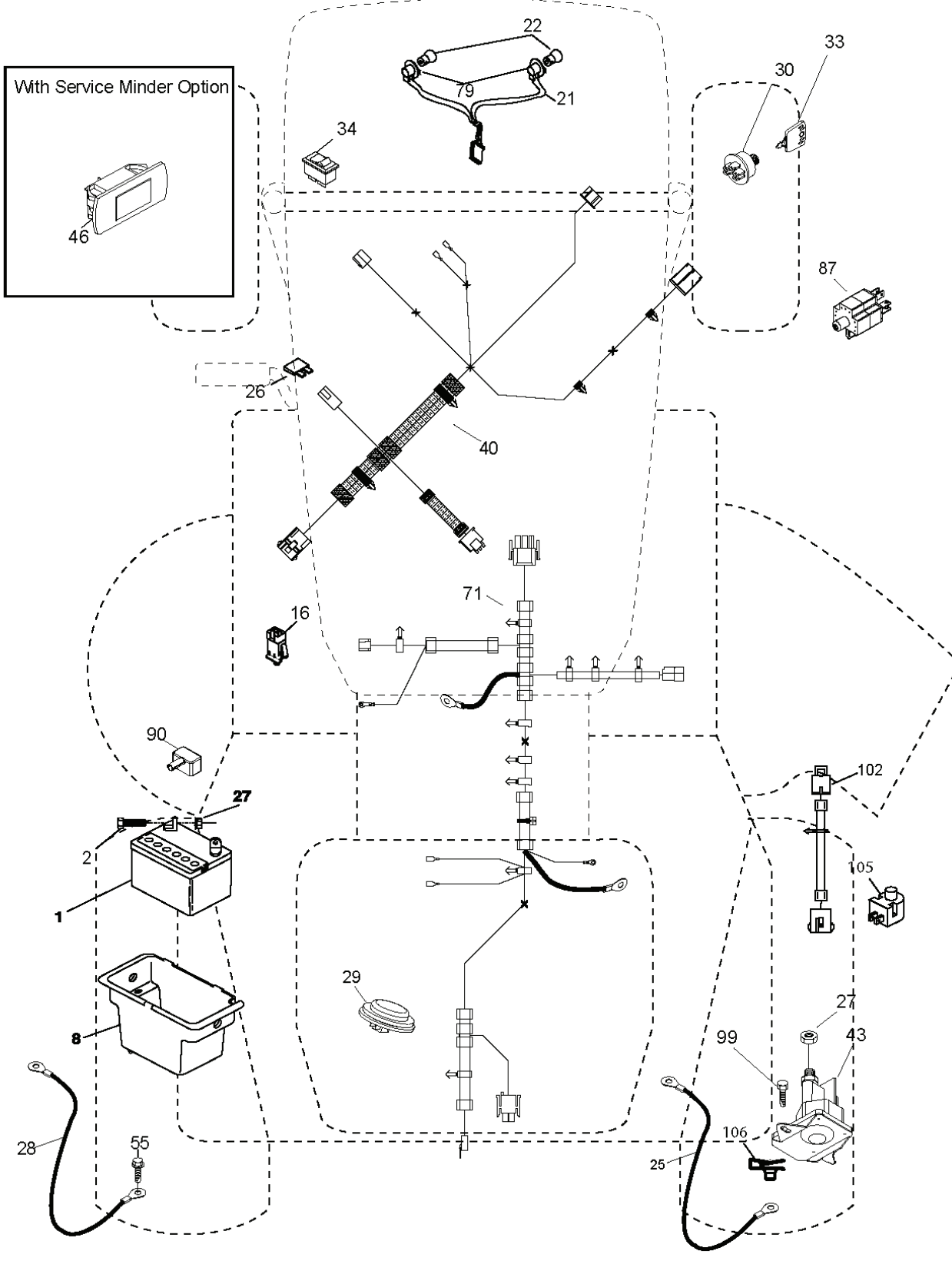
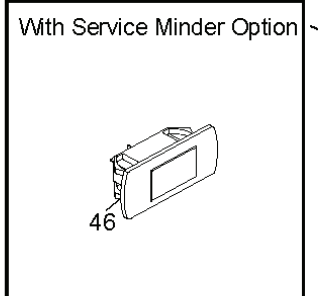


drive-tex\_K46\_pedal\_125

| REF. | PART NO.  | DESCRIPTION                    | REMARK                               | QTY. | KIT |
|------|-----------|--------------------------------|--------------------------------------|------|-----|
| 1    | 000000000 | W/O DESCRIPTION                | Transaxle, Tufftorq<br>K46BT(426120) | 1    |     |
| 2    | 532123583 | KEY                            |                                      | 1    |     |
| 15   | 819131316 | WASHER                         |                                      | 1    |     |
| 17   | 532413678 | SRPING.BRAKE.K46.GREEN*SUBS/2* |                                      | 1    |     |
| 29   | 532403806 | ROD                            |                                      | 1    |     |
| 33   | 812000001 | RETAINER RING                  |                                      | 1    |     |
| 35   | 532401031 | ROD                            |                                      | 1    |     |
| 42   | 532124872 | PEDAL RUBBER                   |                                      | 1    |     |
| 49   | 872110614 | BOLT                           |                                      | 1    |     |
| 50   | 532194327 | PULLEY                         |                                      | 1    |     |
| 51   | 873900600 | NUT                            |                                      | 1    |     |
| 52   | 532194326 | PULLEY                         |                                      | 1    |     |
| 56   | 532130969 | BELT                           |                                      | 1    |     |
| 64   | 532197865 | SHAFT                          |                                      | 1    |     |
| 73   | 874490540 | BOLT                           |                                      | 1    |     |
| 80   | 532440619 | STRAP                          |                                      | 1    |     |
| 99   | 532415742 | ROD                            |                                      | 1    |     |
| 116  | 873900500 | NUT                            |                                      | 1    |     |
| 125  | 817000512 | SCREW                          |                                      | 1    |     |
| 143  | 817490508 | SCREW                          |                                      | 1    |     |
| 153  | 532124788 | RETAINER RING                  |                                      | 1    |     |
| 159  | 876020412 | SPLIT PIN                      |                                      | 1    |     |
| 160  | 532169484 | PIN                            |                                      | 1    |     |
| 161  | 532105709 | SPRING                         |                                      | 1    |     |
| 163  | 532448275 | CONTROL                        |                                      | 1    |     |
| 166  | 532429164 | NUT                            |                                      | 1    |     |
| 167  | 532405257 | LATCH                          |                                      | 1    |     |
| 170  | 532194322 | KEEPER                         |                                      | 1    |     |
| 171  | 872110616 | BOLT                           |                                      | 1    |     |
| 183  | 532137057 | SPACER                         |                                      | 1    |     |
| 184  | 532441407 | BRAKE                          |                                      | 1    |     |
| 185  | 872110622 | BOLT                           |                                      | 1    |     |
| 186  | 532194321 | SPACER                         |                                      | 1    |     |
| 187  | 819133210 | WASHER                         |                                      | 1    |     |
| 188  | 532194323 | LINK                           |                                      | 1    |     |
| 189  | 532194317 | PLATE                          |                                      | 1    |     |
| 190  | 532194318 | BELT GUIDE                     |                                      | 1    |     |
| 205  | 532121748 | WASHER                         |                                      | 1    |     |
| 210  | 532400980 | PEDAL ARM                      |                                      | 1    |     |
| 211  | 532120183 | BEARING                        |                                      | 1    |     |
| 214  | 532421263 | PAD                            |                                      | 1    |     |
| 215  | 532401723 | PEDAL                          |                                      | 1    |     |
| 216  | 532196131 | BRACKET                        |                                      | 1    |     |
| 221  | 532403187 | SPRING                         |                                      | 1    |     |
| 222  | 879212010 | WASHER                         |                                      | 1    |     |
| 225  | 532403319 | BELT GUIDE                     |                                      | 1    |     |
| 226  | 532401564 | BRACKET                        |                                      | 1    |     |
| 227  | 817490512 | SCREW                          |                                      | 1    |     |
| 230  | 532188967 | WASHER                         |                                      | 1    |     |

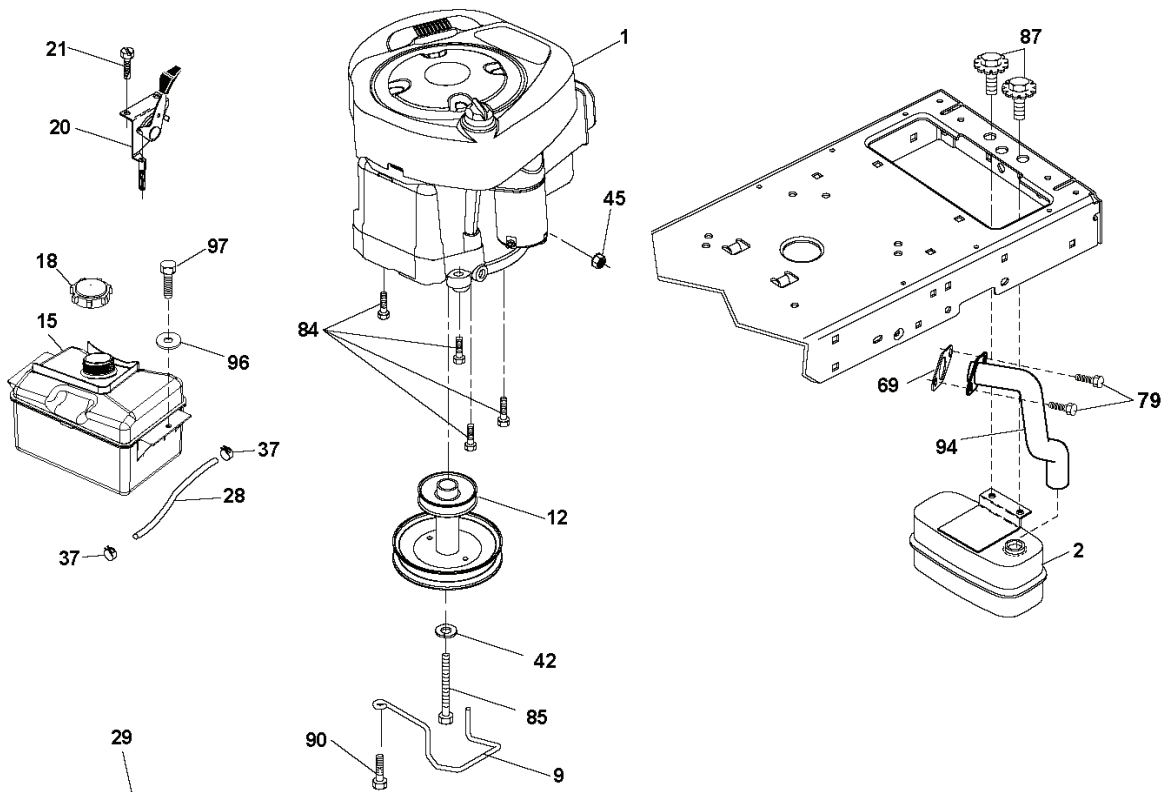


TR02S



---

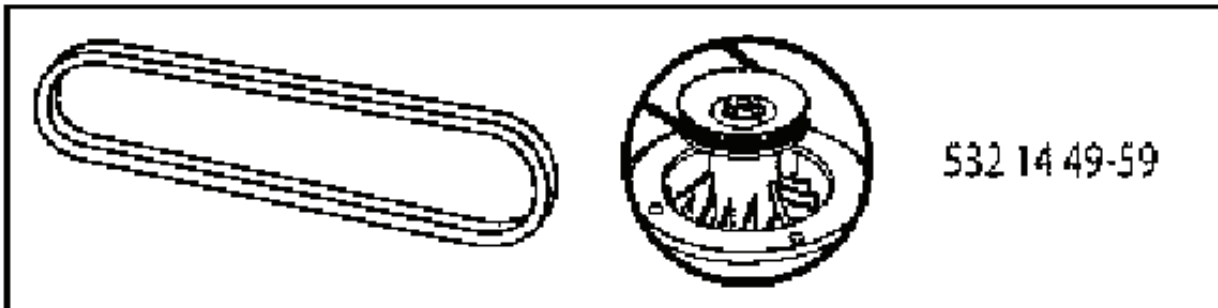
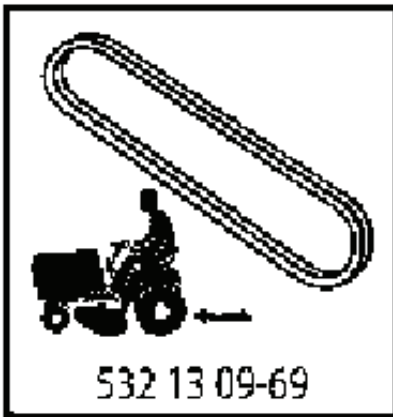
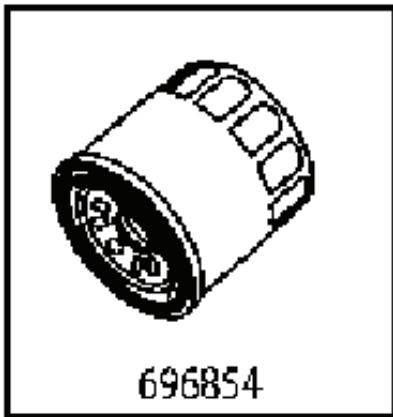
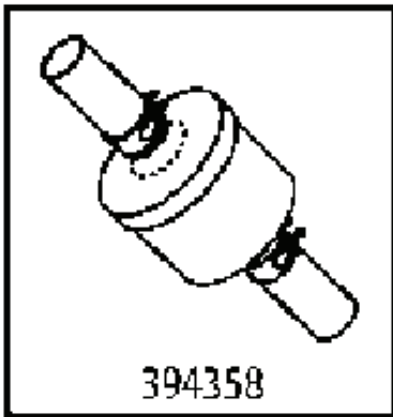
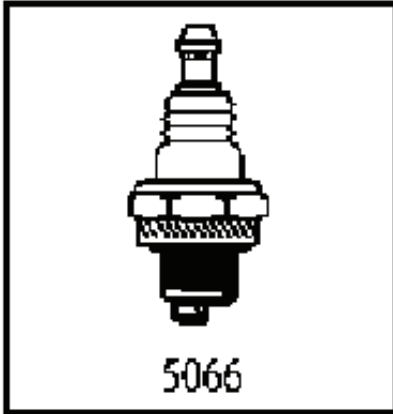
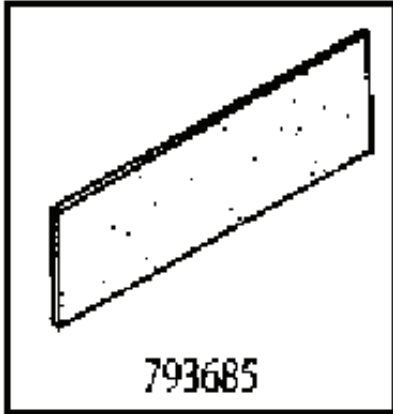
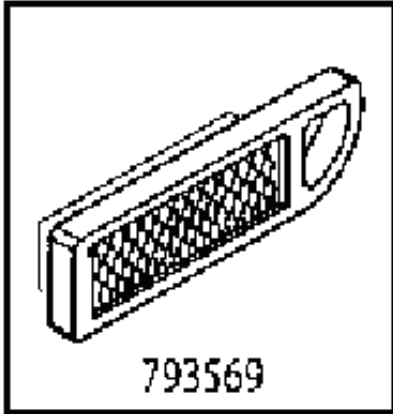
| REF. | PART NO.  | DESCRIPTION     | REMARK | QTY. | KIT |
|------|-----------|-----------------|--------|------|-----|
| 1    | 532163465 | BATTERY         |        | 1    |     |
| 2    | 874760412 | BOLT            |        | 1    |     |
| 8    | 532193228 | BOX             |        | 1    |     |
| 16   | 532176138 | MICRO SWITCH    |        | 1    |     |
| 21   | 532400252 | HARNESS         |        | 1    |     |
| 22   | 532004152 | BULB            |        | 1    |     |
| 25   | 581498001 | CABLE           |        | 1    |     |
| 26   | 532175158 | FUSE            |        | 1    |     |
| 27   | 873510400 | NUT             |        | 1    |     |
| 28   | 532421686 | CABLE           |        | 1    |     |
| 29   | 532401545 | SWITCH          |        | 1    |     |
| 30   | 532193350 | IGNITION MODULE |        | 1    |     |
| 33   | 532411933 | KEY             |        | 1    |     |
| 34   | 532110712 | SWITCH          |        | 1    |     |
| 40   | 581023101 | HARNESS         |        | 1    |     |
| 43   | 532192507 | SOLENOID        |        | 1    |     |
| 46   | 532401763 | DISPLAY         |        | 1    |     |
| 55   | 817060512 | SCREW           |        | 1    |     |
| 71   | 581023001 | HARNESS         |        | 1    |     |
| 79   | 532175242 | HOLDER          |        | 1    |     |
| 87   | 532197802 | SWITCH          |        | 1    |     |
| 90   | 532435395 | TERMINAL COVER  |        | 1    |     |
| 99   | 817670412 | SCREW           |        | 1    |     |
| 102  | 532404454 | CABLE           |        | 1    |     |
| 105  | 532407568 | SWITCH          |        | 1    |     |
| 106  | 532174814 | NUT             |        | 1    |     |



**OPTIONAL EQUIPMENT**  
**SPARK ARRESTER**

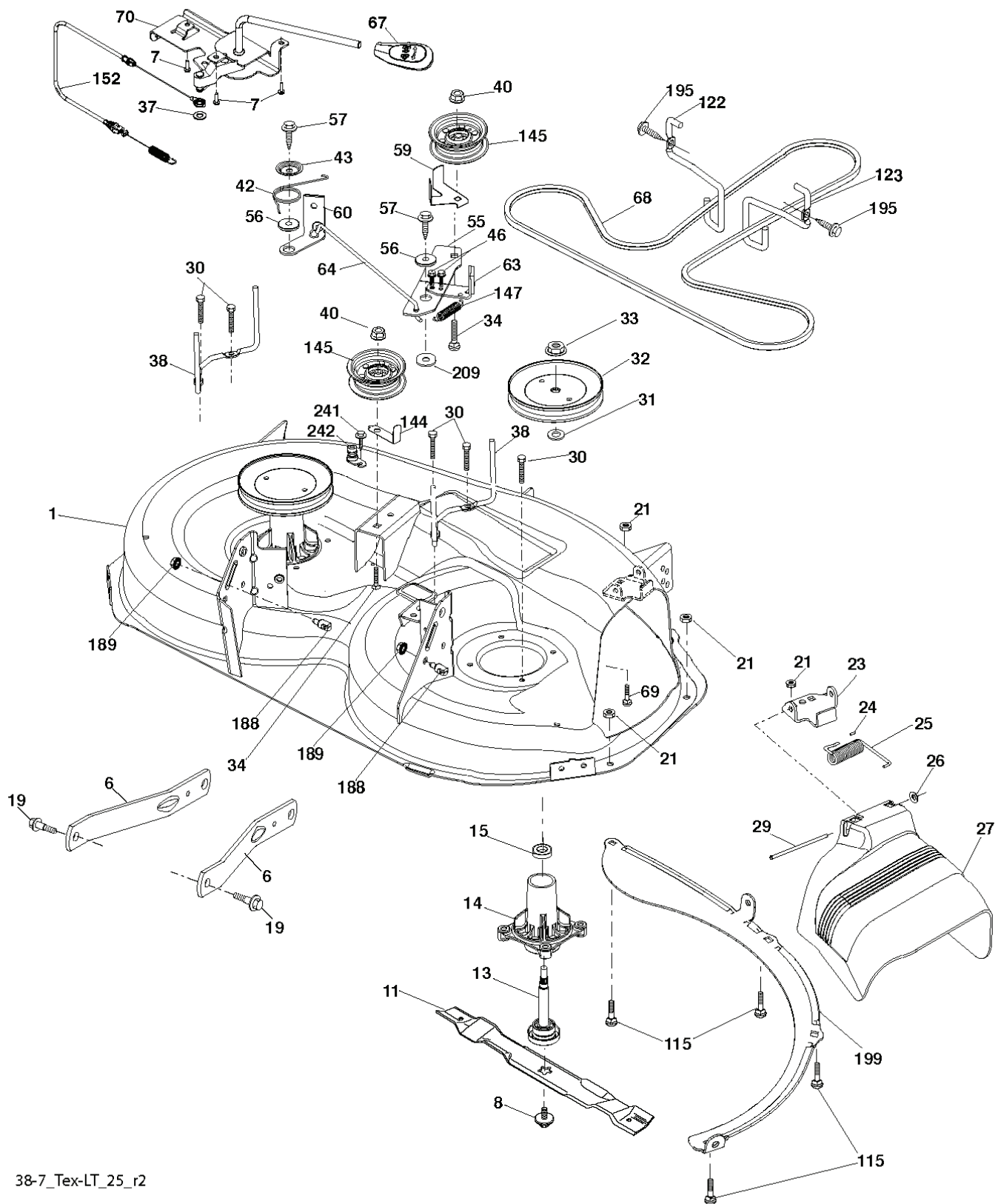
engine-tex\_BS\_46

| REF. | PART NO.  | DESCRIPTION        | REMARK                                             | QTY. | KIT |
|------|-----------|--------------------|----------------------------------------------------|------|-----|
| 1    | 000000000 | W/O DESCRIPTION    | Engine B&S Model No.<br>33M677-<br>1594-G5(443576) | 1    |     |
| 2    | 580532301 | MUFFLER            |                                                    | 1    |     |
| 9    | 532194320 | BELT GUIDE         |                                                    | 1    |     |
| 12   | 532405471 | PULLEY             |                                                    | 1    |     |
| 15   | 581289901 | TANK               |                                                    | 1    |     |
| 18   | 532430220 | FUEL CAP           |                                                    | 1    |     |
| 20   | 532183897 | CONTROL            |                                                    | 1    |     |
| 21   | 532416358 | SCREW              |                                                    | 1    |     |
| 28   | 532137040 | HOSE               |                                                    | 1    |     |
| 29   | 532137180 | SPARK ARRESTER KIT |                                                    | 1    |     |
| 37   | 532123487 | HOSE CLAMP         |                                                    | 1    |     |
| 42   | 810040700 | WASHER             |                                                    | 1    |     |
| 45   | 873510400 | NUT                |                                                    | 1    |     |
| 69   | 532165291 | GASKET             |                                                    | 1    |     |
| 79   | 532192334 | SCREW              |                                                    | 1    |     |
| 84   | 817060620 | SCREW              |                                                    | 1    |     |
| 85   | 532173937 | BOLT               |                                                    | 1    |     |
| 87   | 532171877 | BOLT               |                                                    | 1    |     |
| 90   | 817000616 | SCREW              |                                                    | 1    |     |
| 94   | 581099201 | MUFFLER            |                                                    | 1    |     |
| 96   | 819091416 | WASHER             |                                                    | 1    |     |
| 97   | 817670412 | SCREW              |                                                    | 1    |     |



---

| REF.      | PART NO.  | DESCRIPTION | REMARK | QTY. | KIT |
|-----------|-----------|-------------|--------|------|-----|
| 793569    | 582285082 | AIR FILTER  |        | 1    |     |
| 793685    | 582311255 | PREFILTER   |        | 1    |     |
| 5066      | TBD       | TBD         |        | 1    |     |
| 394358    | 582288363 | FUEL FILTER |        | 1    |     |
| 696854    | 585730401 | OIL FILTER  |        | 1    |     |
| 532130969 | 532130969 | BELT        |        | 1    |     |
| 532144959 | 532144959 | BELT        |        | 1    |     |
| 532138971 | 532138971 | BLADE       |        | 1    |     |



| REF. | PART NO.  | DESCRIPTION     | REMARK | QTY. | KIT |
|------|-----------|-----------------|--------|------|-----|
| 1    | 532444163 | HOUSING         |        | 1    |     |
| 6    | 532195186 | ARM             |        | 1    |     |
| 7    | 532416358 | SCREW           |        | 1    |     |
| 8    | 532193003 | SCREW           |        | 1    |     |
| 11   | 532193957 | RIDE ON BLADE   |        | 1    |     |
| 13   | 532192872 | SHAFT ASSY      |        | 1    |     |
| 14   | 532187281 | BEARING HOUSING |        | 1    |     |
| 15   | 532110485 | BEARING         |        | 1    |     |
| 19   | 532196539 | BOLT            |        | 1    |     |
| 21   | 873680500 | NUT             |        | 1    |     |
| 23   | 532192557 | HINGE           |        | 1    |     |
| 24   | 532105304 | HUB CAP         |        | 1    |     |
| 25   | 532197026 | TORSION SPRING  |        | 1    |     |
| 26   | 532110452 | NUT             |        | 1    |     |
| 27   | 532193968 | DEFLECTOR       |        | 1    |     |
| 29   | 532131491 | SHAFT           |        | 1    |     |
| 30   | 532173984 | SCREW           |        | 1    |     |
| 31   | 532187690 | WASHER          |        | 1    |     |
| 32   | 532199789 | PULLEY          |        | 1    |     |
| 33   | 532400234 | NUT             |        | 1    |     |
| 34   | 872110612 | BOLT            |        | 1    |     |
| 37   | 819131316 | WASHER          |        | 1    |     |
| 38   | 532199541 | BELT GUIDE      |        | 1    |     |
| 40   | 873900600 | NUT             |        | 1    |     |
| 42   | 532198410 | SPRING          |        | 1    |     |
| 43   | 532197256 | SPRING          |        | 1    |     |
| 46   | 532137729 | SCREW           |        | 1    |     |
| 55   | 532197249 | ARM             |        | 1    |     |
| 56   | 532199092 | SPACER          |        | 1    |     |
| 57   | 817000616 | SCREW           |        | 1    |     |
| 59   | 532141043 | GUARD           |        | 1    |     |
| 60   | 532199471 | ARM             |        | 1    |     |
| 63   | 532199470 | ARM             |        | 1    |     |
| 64   | 532199790 | LINK            |        | 1    |     |
| 67   | 532403012 | HANDLE          |        | 1    |     |
| 68   | 532408381 | BELT            |        | 1    |     |
| 69   | 872140505 | BOLT            |        | 1    |     |
| 70   | 532401246 | CLUTCH          |        | 1    |     |
| 115  | 872110505 | BOLT            |        | 1    |     |
| 122  | 532197258 | BELT GUIDE      |        | 1    |     |
| 123  | 532197259 | BELT GUIDE      |        | 1    |     |
| 144  | 532193414 | BELT GUIDE      |        | 1    |     |
| 145  | 532193197 | PULLEY          |        | 1    |     |
| 147  | 532401872 | SPRING          |        | 1    |     |
| 152  | 532435111 | CABLE           |        | 1    |     |
| 188  | 532195161 | STUD            |        | 1    |     |
| 189  | 873900500 | NUT             |        | 1    |     |
| 195  | 817000612 | SCREW           |        | 1    |     |
| 199  | 532400095 | BAFFLE          |        | 1    |     |
| 209  | 819133210 | WASHER          |        | 1    |     |
| 241  | 532152927 | SCREW           |        | 1    |     |
| 242  | 532415598 | HOSE COUPLING   |        | 1    |     |
| --   | 532192870 | SPINDLE         |        | 1    |     |
| --   | 532434467 | CUTTING DECK    |        | 1    |     |





| REF. | PART NO.  | DESCRIPTION     | REMARK | QTY. | KIT |
|------|-----------|-----------------|--------|------|-----|
| 1    | 532439740 | STEERING WHEEL  |        | 1    |     |
| 2    | 532436870 | WHEEL AXLE      |        | 1    |     |
| 4    | 532436873 | SPINDLE         |        | 1    |     |
| 5    | 532436874 | SPINDLE         |        | 1    |     |
| 6    | 532124931 | WASHER          |        | 1    |     |
| 7    | 532121748 | WASHER          |        | 1    |     |
| 8    | 812000029 | RETAINER RING   |        | 1    |     |
| 9    | 532121232 | HUB CAP         |        | 1    |     |
| 13   | 532121749 | WASHER          |        | 1    |     |
| 14   | 810040600 | WASHER          |        | 1    |     |
| 15   | 873540600 | NUT             |        | 1    |     |
| 16   | 532444213 | SHAFT           |        | 1    |     |
| 19   | 532194729 | PLATE           |        | 1    |     |
| 20   | 532441425 | COVER           |        | 1    |     |
| 21   | 532437747 | ADAPTER WHEEL   |        | 1    |     |
| 22   | 532194845 | BUSHING         |        | 1    |     |
| 26   | 532439743 | HUB CAP         |        | 1    |     |
| 28   | 817000612 | SCREW           |        | 1    |     |
| 33   | 810040500 | WASHER          |        | 1    |     |
| 35   | 532440770 | GEAR            |        | 1    |     |
| 45   | 819113812 | WASHER          |        | 1    |     |
| 53   | 532188967 | WASHER          |        | 1    |     |
| 57   | 532407465 | BRACKET         |        | 1    |     |
| 58   | 532194747 | BOLT            |        | 1    |     |
| 59   | 532194748 | WASHER          |        | 1    |     |
| 60   | 873971000 | NUT             |        | 1    |     |
| 61   | 532436884 | LINK            |        | 1    |     |
| 62   | 532436885 | TUBE            |        | 1    |     |
| 63   | 817000512 | SCREW           |        | 1    |     |
| 64   | 532199849 | SPRING RETAINER |        | 1    |     |
| 66   | 871020748 | BOLT            |        | 1    |     |
| 67   | 532194737 | BUSHING         |        | 1    |     |
| 68   | 873900700 | NUT             |        | 1    |     |
| 69   | 532199162 | WASHER          |        | 1    |     |
| 70   | 532196197 | BRACKET         |        | 1    |     |
| 71   | 532190752 | SHAFT           |        | 1    |     |
| 72   | 532428982 | BOLT            |        | 1    |     |
| 80   | 532001370 | WASHER          |        | 1    |     |
| 81   | 532436887 | LINK            |        | 1    |     |
| 82   | 532436877 | BOLT            |        | 1    |     |
| 85   | 532441873 | PIVOT           |        | 1    |     |
| 86   | 532441872 | PIVOT           |        | 1    |     |
| 118  | 532406013 | BEARING         |        | 1    |     |
| 122  | 532444962 | CAP             |        | 1    |     |
|      | PART NO.  |                 | REMARK |      | KIT |