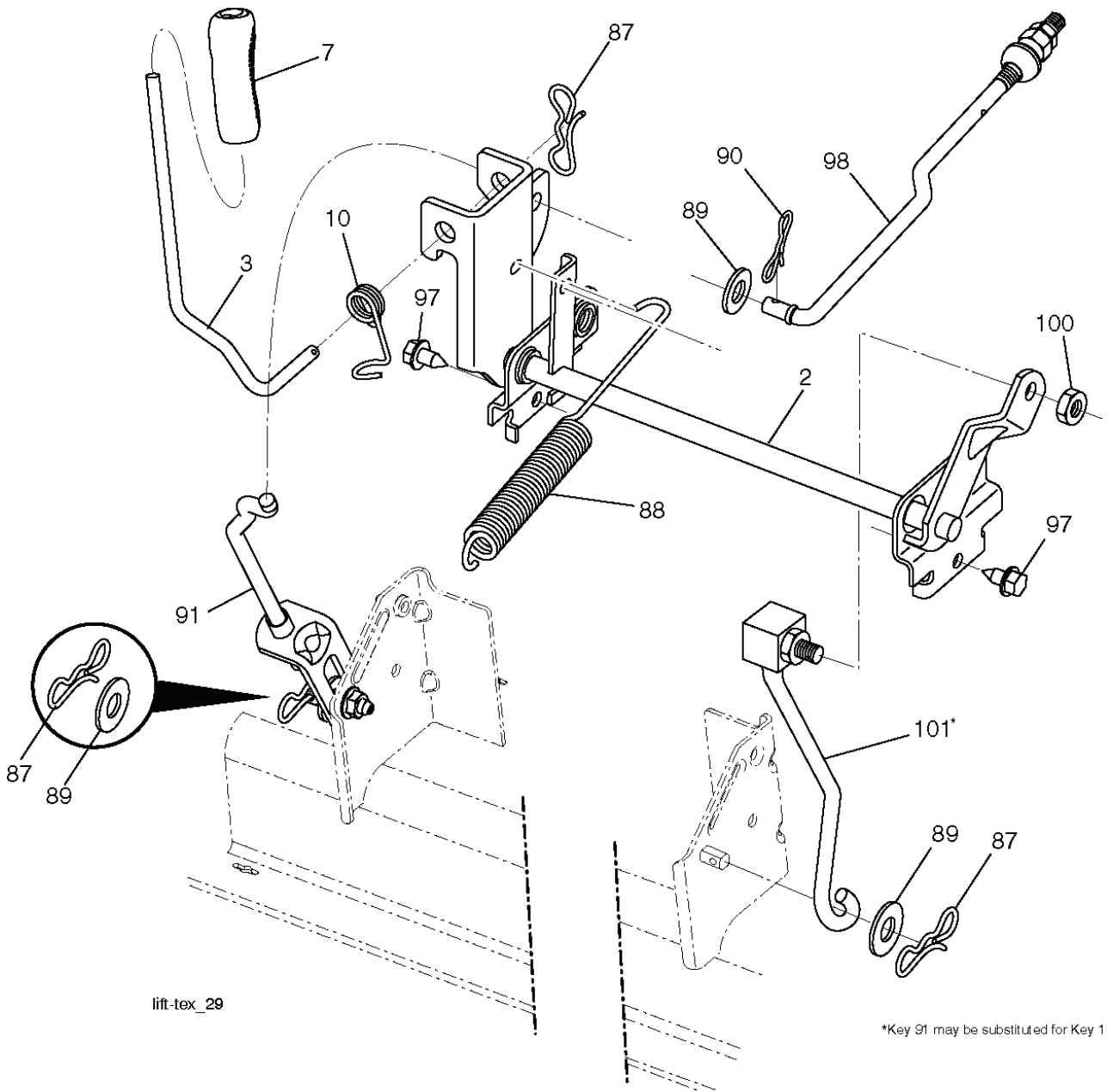


LTH2038R, 96041028301, 2013-05

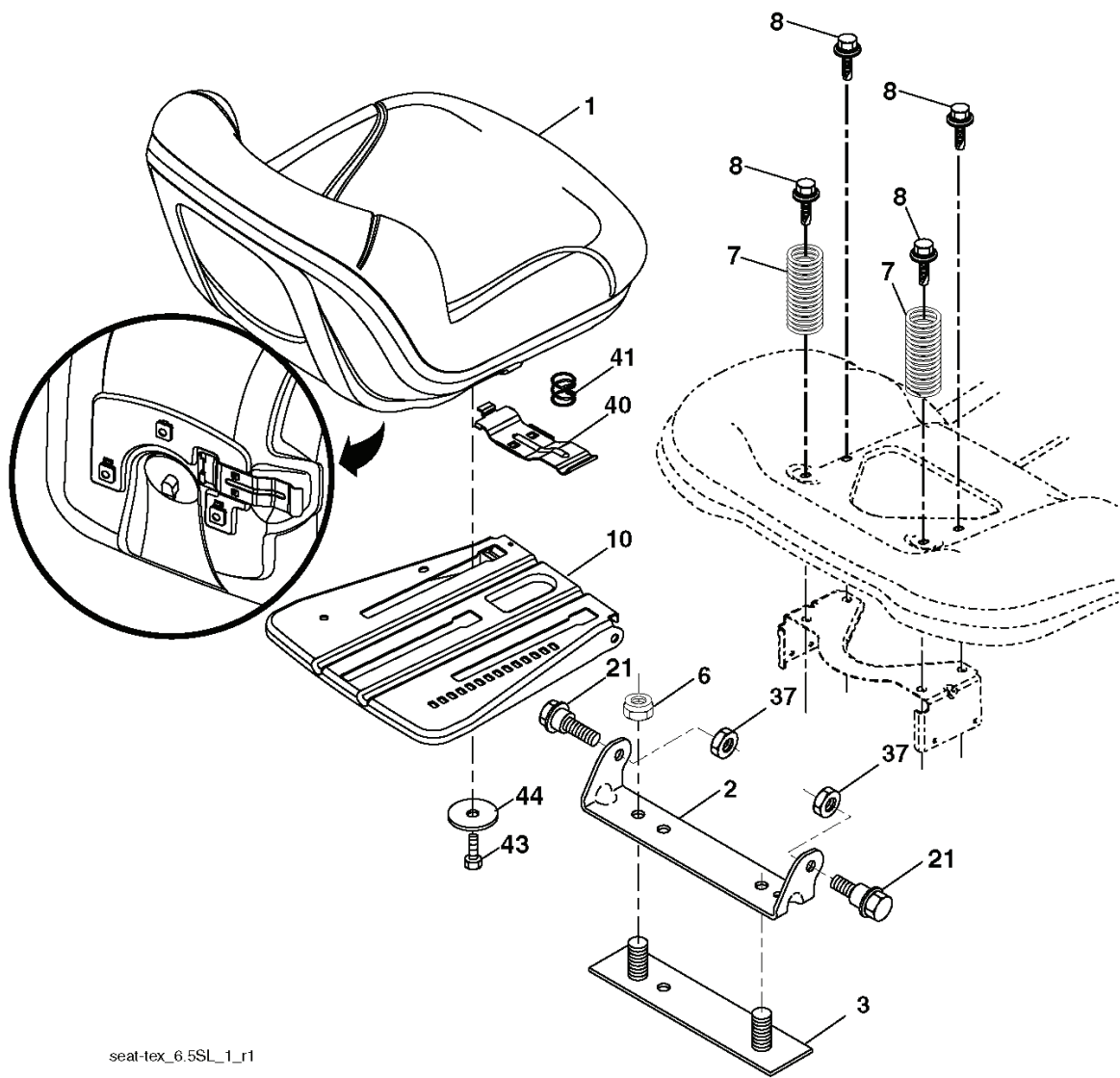
SPARE PARTS LIST



lift-tex_29

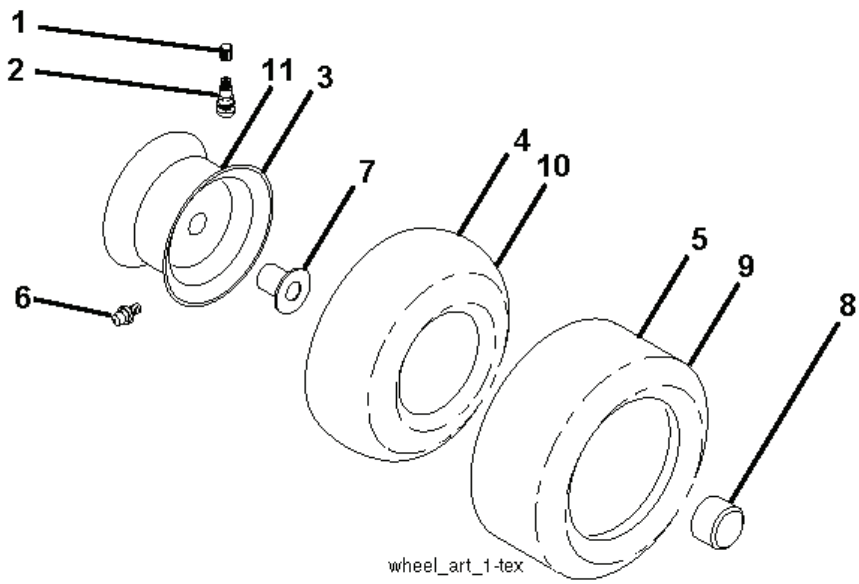
*Key 91 may be substituted for Key 101

REF.	PART NO.	DESCRIPTION	REMARK	QTY.	KIT
2	532422027	SHAFT		1	
3	532195231	LEVER		1	
7	580962301	GRIP		1	
10	532196314	SPRING		1	
87	532194209	SPRING		1	
88	532410710	SPRING		1	
89	819191912	WASHER		1	
90	532194208	PIN		1	
91	532195181	LINK		1	
97	817000612	SCREW		1	
98	532195270	LINK		1	
100	873930600	NUT		1	
101	532407003	LINK		1	



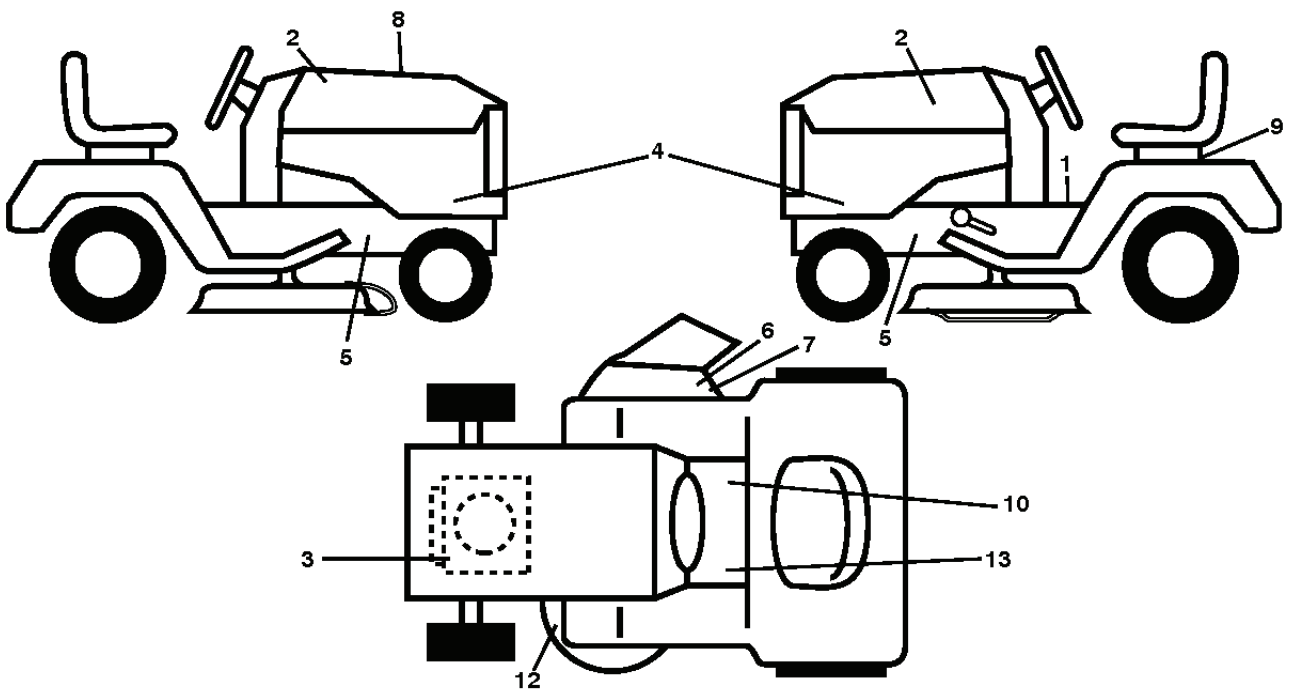
seat-tex_6.5SL_1_r1

REF.	PART NO.	DESCRIPTION	REMARK	QTY.	KIT
1	532439822	SEAT		1	
2	532180166	BRACKET		1	
3	532140675	STRAP		1	
6	873800600	NUT		1	
7	532124181	SPRING		1	
8	532171877	BOLT		1	
10	532196977	PLATE		1	
21	532171852	BOLT		1	
37	873800500	LOCK NUT		1	
40	532197661	HANDLE		1	
41	532198200	SPRING		1	
43	874760612	BOLT		1	
44	819133812	WASHER		1	



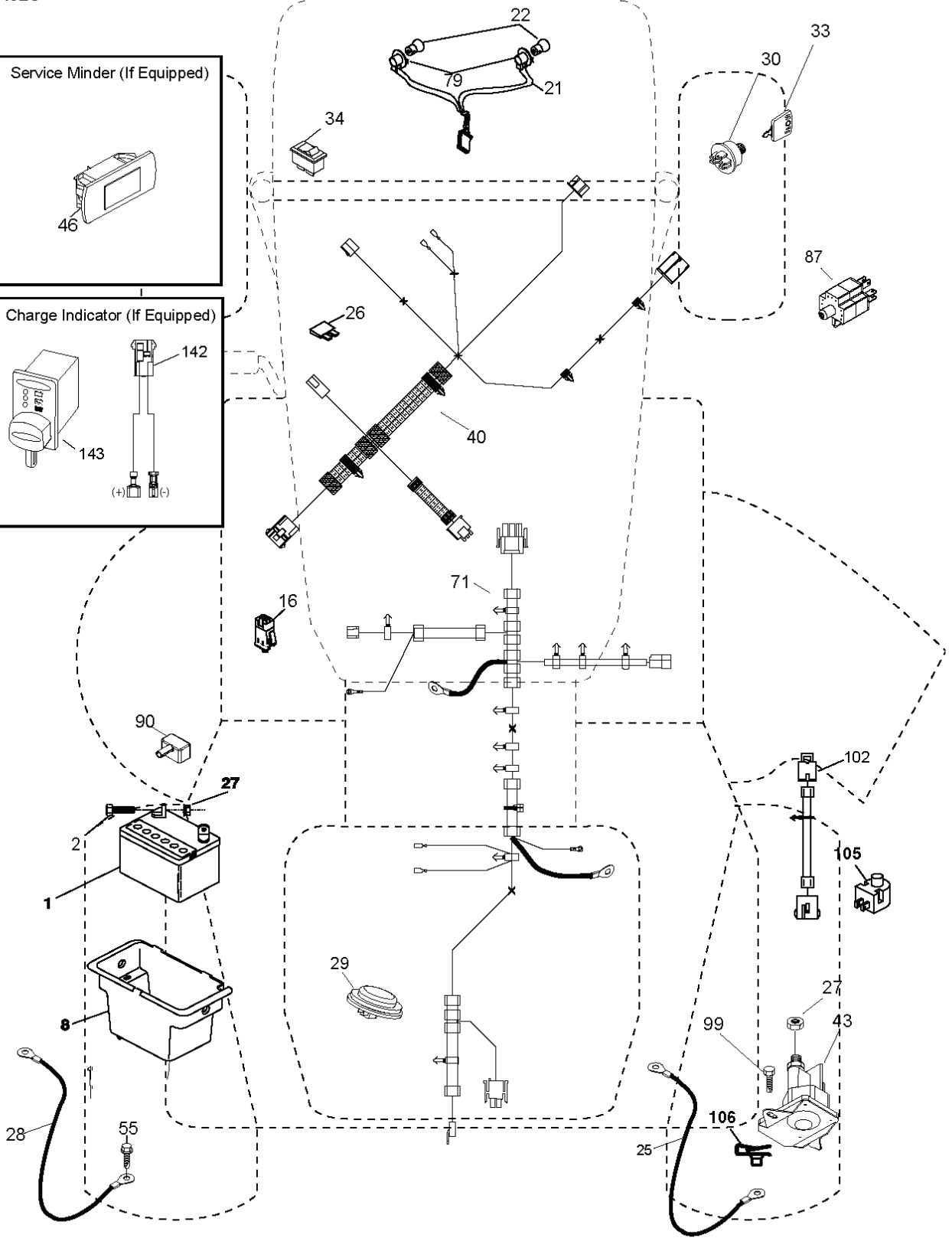
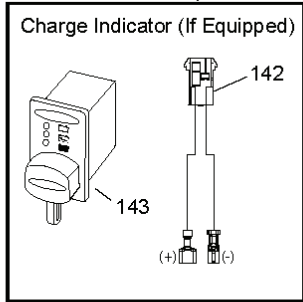
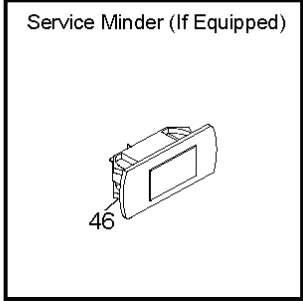
wheel_art_1-tex

REF.	PART NO.	DESCRIPTION	REMARK	QTY.	KIT
1	532059192	CAP VALVE		1	
2	532065139	NIPPLE		1	
3	532138336	RIM	Front 6"	1	
4	532059904	HOSE	Front (Service Item Only)	1	
5	532106222	TIRE	Front 15 x 6.0-6	1	
6	532124957	FITTING	(Front Wheel Only)	1	
7	532124959	BEARING	(Front Wheel Only)	1	
8	532175039	HUB CAP		1	
9	532122082	TIRE	Rear 20 x 10-8	1	
10	532124926	HOSE	Rear (Service Item Only)	1	
11	532138337	RIM SPROCKET	Rear 8"	1	
--	532144334	SEALING FOAM		1	

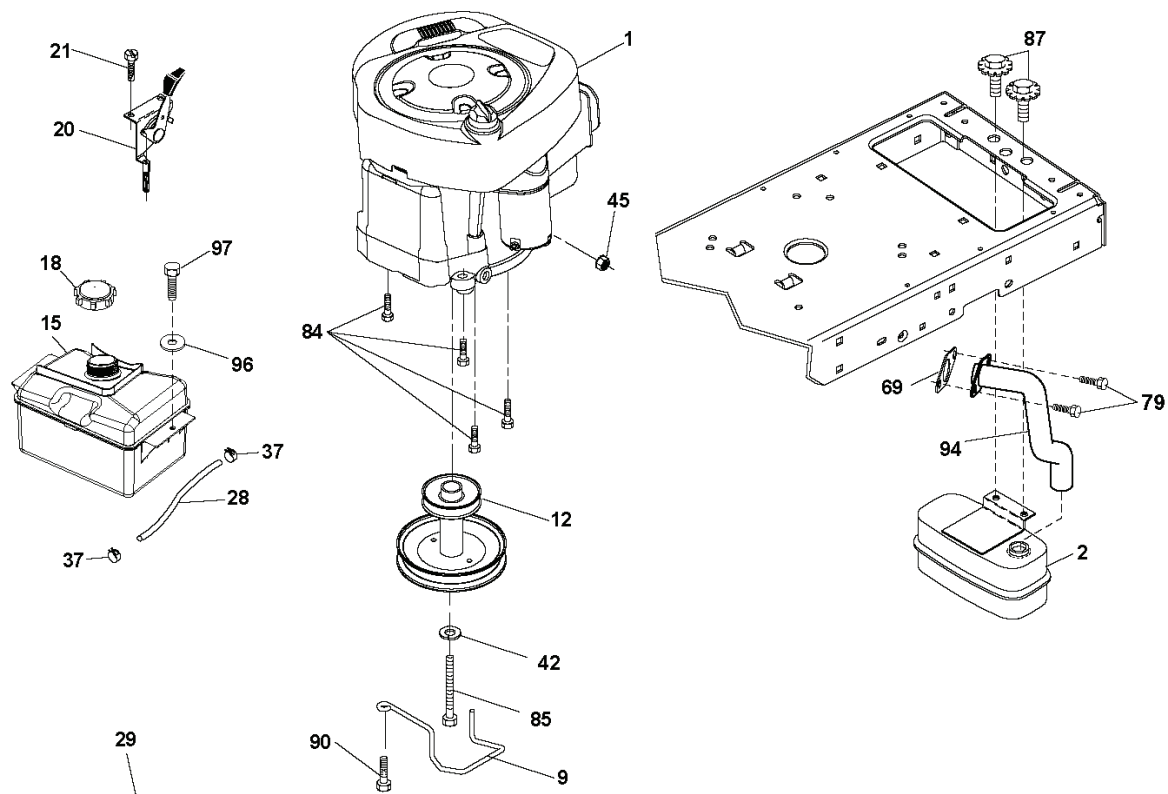


REF.	PART NO.	DESCRIPTION	REMARK	QTY.	KIT
1	581578101	DECAL		1	
2	581627301	DECAL		1	
3	581579701	DECAL		1	
4	532448550	DECAL		1	
5	581579601	DECAL		1	
6	584904601	DECAL		1	
7	581579201	DECAL		1	
8	532443835	DECAL		1	
9	532145005	DECAL		1	
10	581578001	DECAL		1	
12	581580003	DECAL		1	
13	581724001	DECAL		1	
--	581724601	DECAL		1	
--	581724801	DECAL		1	
--	532439681	PLATE		1	
--	532439682	PAD		1	

TR02S

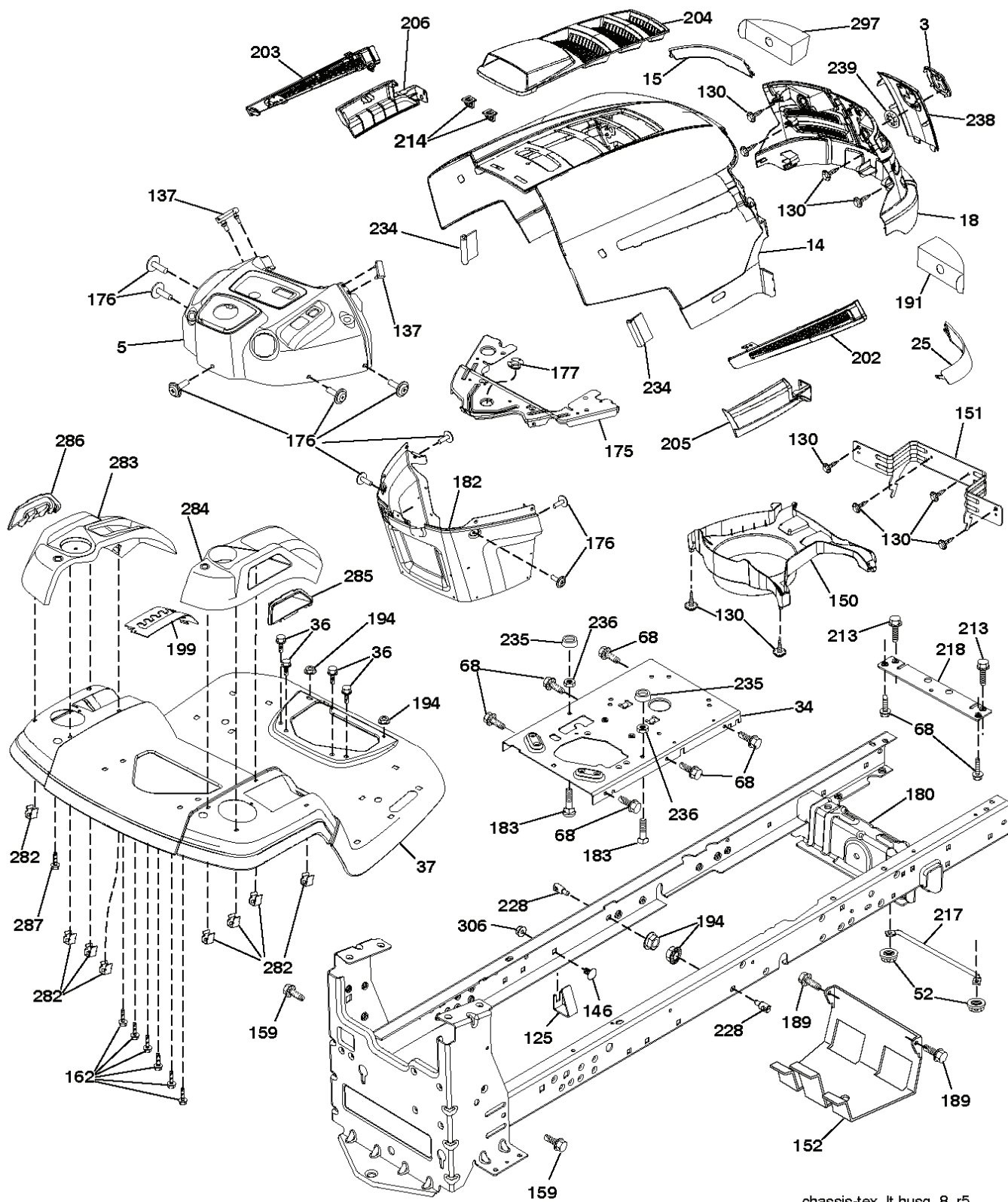


REF.	PART NO.	DESCRIPTION	REMARK	QTY.	KIT
1	532163465	BATTERY		1	
2	874760412	BOLT		1	
8	532193228	BOX		1	
16	532176138	MICRO SWITCH		1	
21	532400252	HARNESS		1	
22	532004152	BULB		1	
25	581498001	CABLE		1	
26	532175158	FUSE		1	
27	873510400	NUT		1	
28	532421686	CABLE		1	
29	532401545	SWITCH		1	
30	532193350	IGNITION MODULE		1	
33	532411933	KEY		1	
34	532110712	SWITCH		1	
40	581023101	HARNESS		1	
43	532192507	SOLENOID		1	
46	532401763	DISPLAY		1	
55	817060512	SCREW		1	
71	581023001	HARNESS		1	
79	532175242	HOLDER		1	
87	532197802	SWITCH		1	
90	532435395	TERMINAL COVER		1	
99	817670412	SCREW		1	
102	532404454	CABLE		1	
105	532407568	SWITCH		1	
106	532174814	NUT		1	



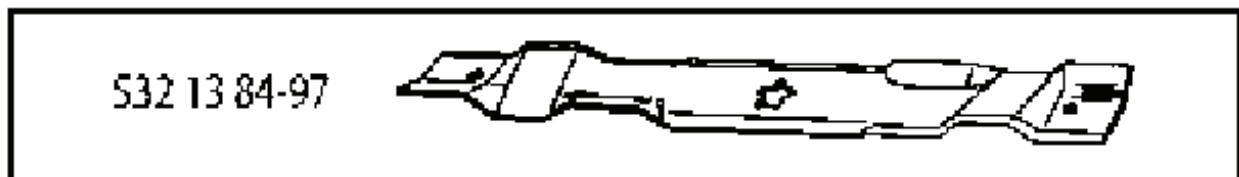
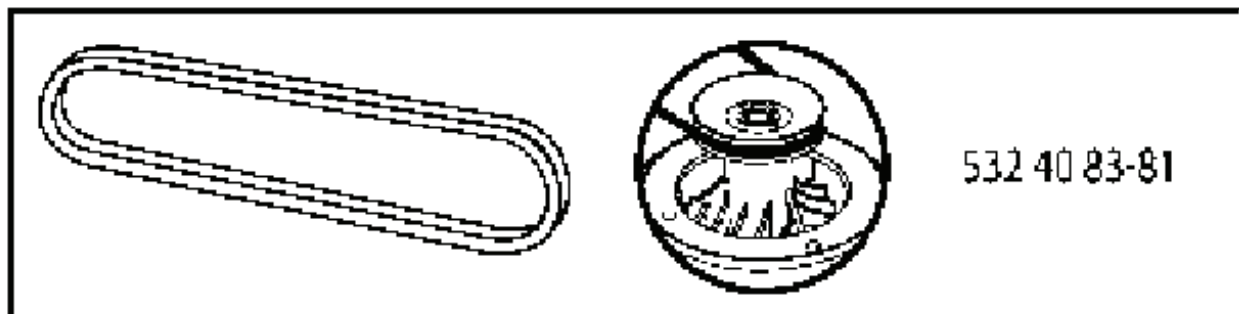
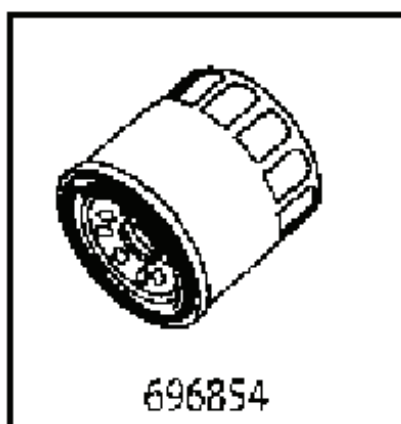
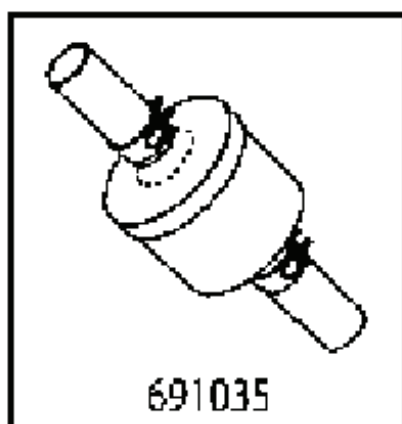
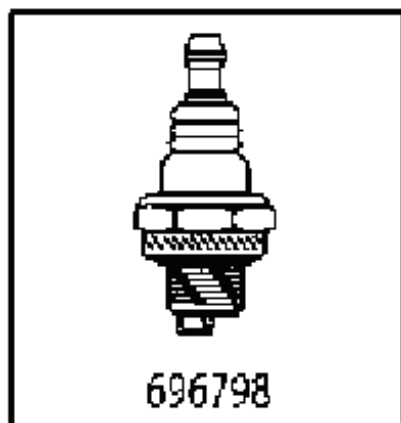
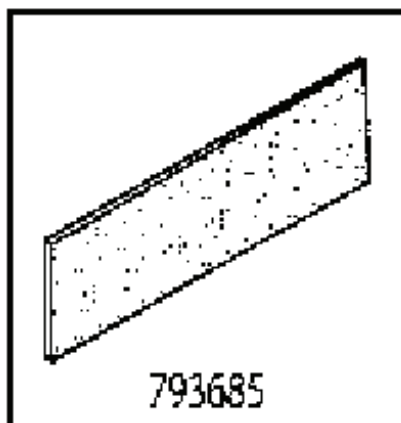
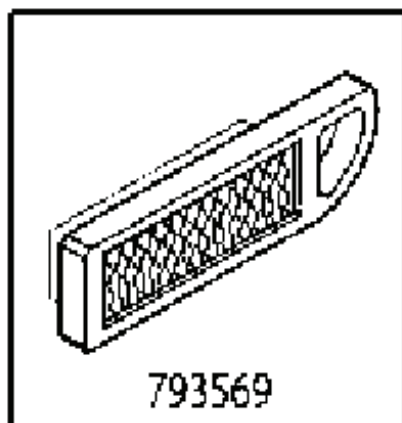
OPTIONAL EQUIPMENT
SPARK ARRESTER

REF.	PART NO.	DESCRIPTION	REMARK	QTY.	KIT
1	000000000	W/O DESCRIPTION	Engine B&S Model No. 33M677- 1594-G5(443576)	1	
2	580532301	MUFFLER		1	
9	532194320	BELT GUIDE		1	
12	586478501	PULLEY		1	
15	581289901	TANK		1	
18	532430220	FUEL CAP		1	
20	532183897	CONTROL		1	
21	532416358	SCREW		1	
28	532137040	HOSE		1	
29	532137180	SPARK ARRESTER KIT		1	
37	532123487	HOSE CLAMP		1	
42	810040700	WASHER		1	
45	873510400	NUT		1	
69	532165291	GASKET		1	
79	532192334	SCREW		1	
84	817060620	SCREW		1	
85	532173937	BOLT		1	
87	532171877	BOLT		1	
90	817000616	SCREW		1	
94	581099201	MUFFLER		1	
96	819091416	WASHER		1	
97	817670412	SCREW		1	

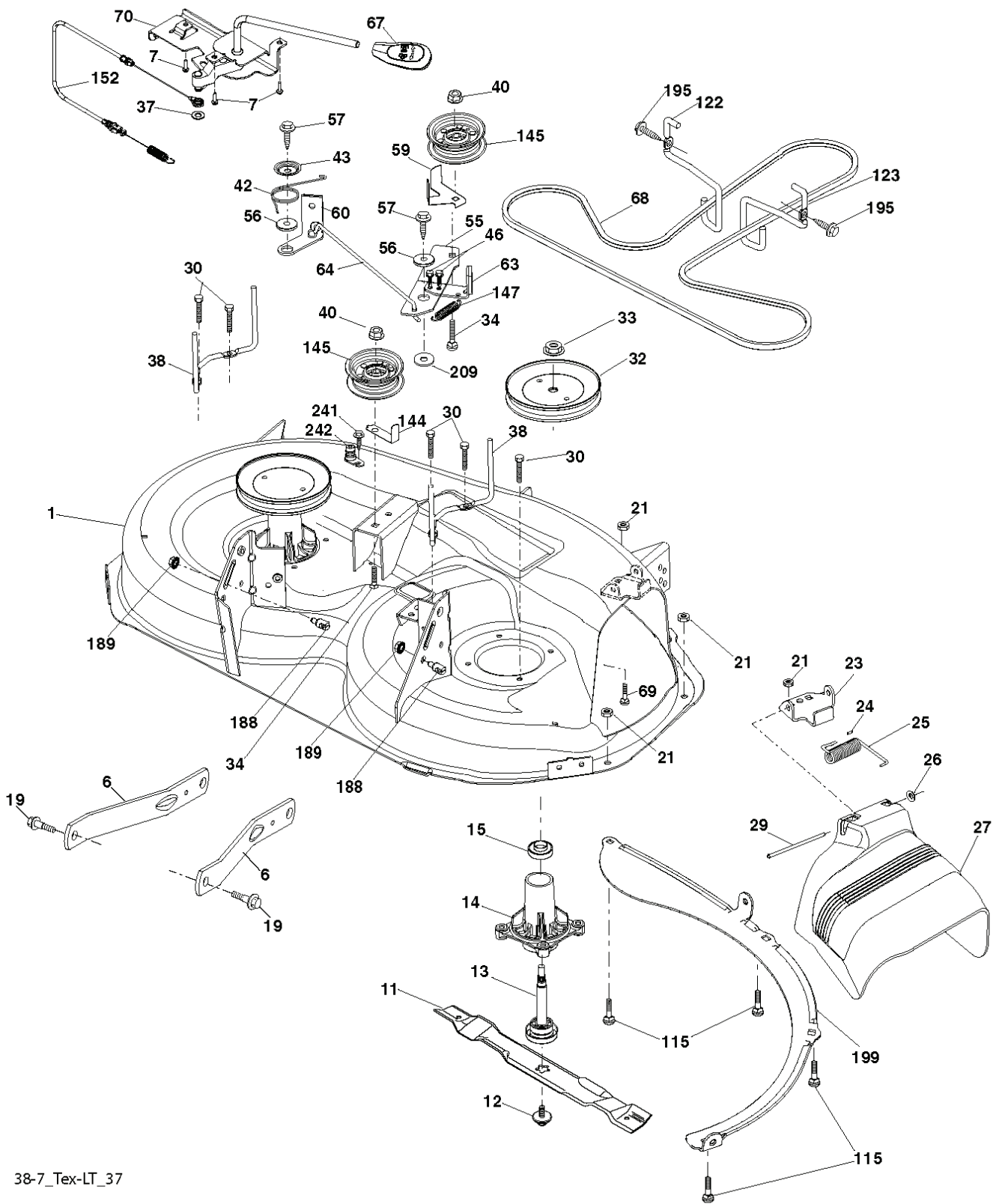


REF.	PART NO.	DESCRIPTION	REMARK	QTY.	KIT
3	581056301	LOGOTYPE		1	
5	532438964	DASH		1	
14	532441267	HOOD		1	
15	532441428	LENS		1	
18	532441368	GRILLE		1	
25	532441427	LENS		1	
34	580910801	CHASSIS		1	
36	817060512	SCREW		1	
37	532441266	FENDER		1	
52	873680500	NUT		1	
68	817490508	SCREW		1	
125	581684801	CLIP		1	
130	532416358	SCREW		1	
137	532407590	DAMPING PIECE		1	
146	581857901	BOLT		1	
150	532407537	AIR CONDUCTOR		1	
151	532407807	BRACKET		1	
152	532199535	SHIELD		1	
159	817000612	SCREW		1	
162	532142432	SCREW		1	
175	532199472	PLATE		1	
176	532400776	SCREW		1	
177	532195228	BUSHING		1	
180	532195457	CHASSIS		1	
182	532407176	DASH		1	
183	874520520	BOLT		1	
189	817000512	SCREW		1	
191	532416501	INSERT		1	
194	873900500	NUT		1	
199	532413485	PLATE		1	
202	532441342	COVER		1	
203	532441343	COVER		1	
204	532441375	COVER		1	
205	532441344	SKIRT		1	
206	532441345	SKIRT		1	
213	874760512	BOLT		1	
214	532199145	CLIP		1	
217	532409167	ROD		1	
218	532196395	PLATE		1	
228	532195161	STUD		1	
234	532404742	DAMPING PIECE		1	
235	532406129	SPACER		1	
236	873930500	NUT		1	
238	532441374	SPARE PARTS		1	
239	532404883	CLIP		1	
282	532414110	CLIP		1	
283	532442039	DECK		1	
284	532439823	CONSOLE		1	
285	532416315	CONSOLE		1	
286	532416317	CONSOLE		1	
287	817600406	SCREW		1	
297	532406665	INSERT		1	
306	873900600	NUT		1	
--	532400944	FRONT BUMPER	*SUBS/2*	1	

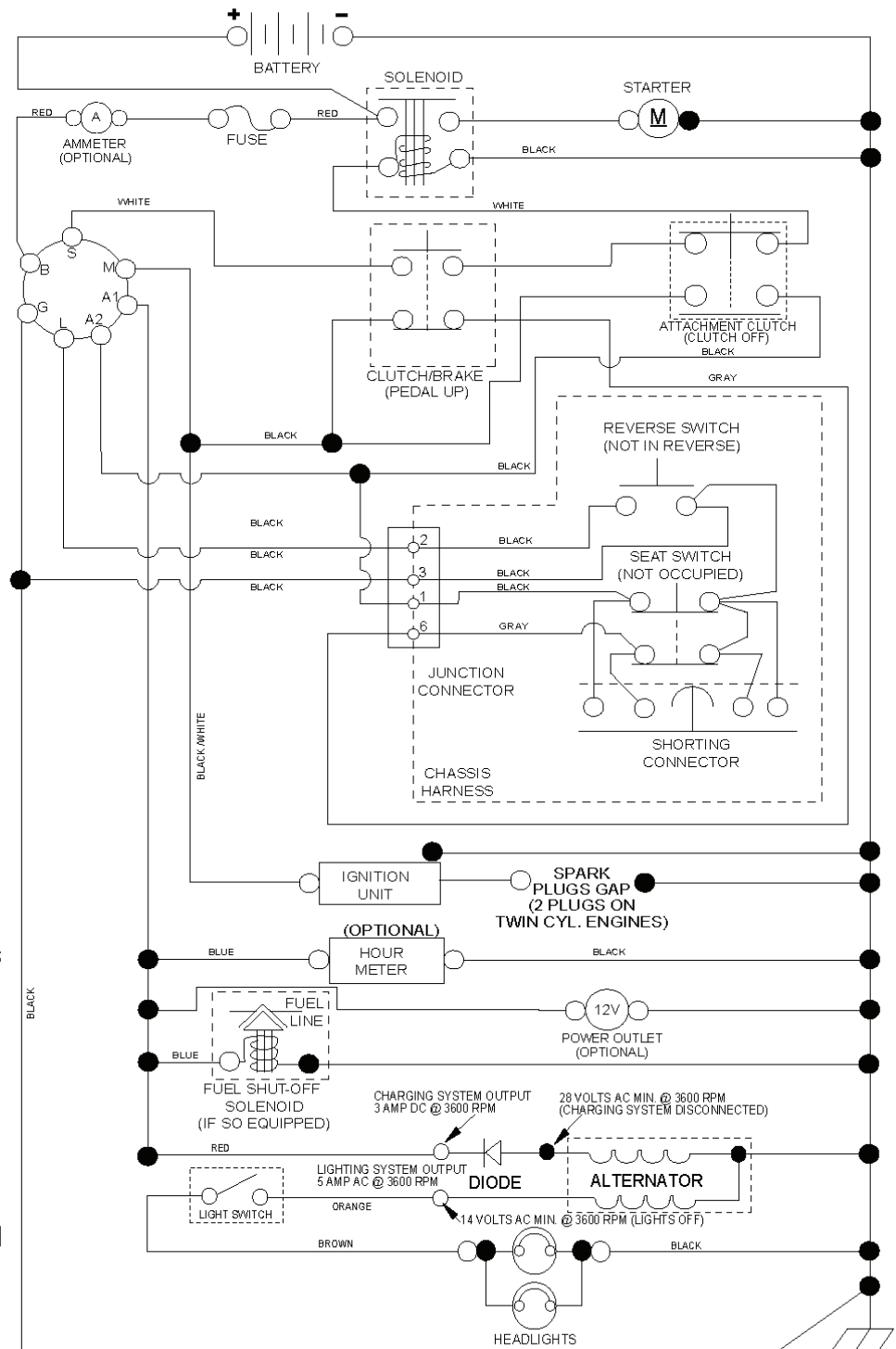
REF.	PART NO.	DESCRIPTION	REMARK	QTY.	KIT
1	000000000	W/O DESCRIPTION	Transaxle, Tufftorq K46BT(426120)	1	
2	532123583	KEY		1	
15	819131316	WASHER		1	
17	532413678	SRPING.BRAKE.K46.GREEN*SUBS/2*		1	
29	532403806	ROD		1	
33	812000001	RETAINER RING		1	
35	532401031	ROD		1	
42	532124872	PEDAL RUBBER		1	
49	872110614	BOLT		1	
50	532194327	PULLEY		1	
51	873900600	NUT		1	
52	532194326	PULLEY		1	
56	532130969	BELT		1	
64	532197865	SHAFT		1	
73	874490540	BOLT		1	
99	532415742	ROD		1	
116	873900500	NUT		1	
125	817000512	SCREW		1	
143	817490508	SCREW		1	
153	532124788	RETAINER RING		1	
159	876020412	SPLIT PIN		1	
160	532169484	PIN		1	
161	532105709	SPRING		1	
163	532448275	CONTROL		1	
166	532429164	NUT		1	
167	532405257	LATCH		1	
170	532194322	KEEPER		1	
171	872110616	BOLT		1	
183	532137057	SPACER		1	
184	532441407	BRAKE		1	
185	872110622	BOLT		1	
186	532194321	SPACER		1	
187	819133210	WASHER		1	
188	532194323	LINK		1	
189	532194317	PLATE		1	
190	532194318	BELT GUIDE		1	
205	532121748	WASHER		1	
210	532400980	PEDAL ARM		1	
211	532120183	BEARING		1	
214	532421263	PAD		1	
215	532401723	PEDAL		1	
216	532196131	BRACKET		1	
221	532403187	SPRING		1	
222	879212010	WASHER		1	
225	532403319	BELT GUIDE		1	
227	817490512	SCREW		1	
230	532188967	WASHER		1	
325	585668502	BRACKET		1	
326	585670802	BRACKET		1	
336	587259601	BOLT		1	



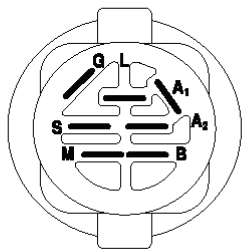
REF.	PART NO.	DESCRIPTION	REMARK	QTY.	KIT
793569	582285082	AIR FILTER		1	
793685	582311255	PREFILTER		1	
696798	TBD	TBD		1	
691035	585243701	FUEL FILTER		1	
696854	585730401	OIL FILTER		1	
532130969	532130969	BELT		1	
532408381	532408381	BELT		1	
532138497	532138497	BLADE		1	



REF.	PART NO.	DESCRIPTION	REMARK	QTY.	KIT
1	532444163	HOUSING		1	
6	532195186	ARM		1	
7	532416358	SCREW		1	
11	532193957	RIDE ON BLADE		1	
12	584309301	SCREW		1	
13	587256501	SHAFT		1	
14	532187281	BEARING HOUSING		1	
15	585323901	BEARING		1	
19	532196539	BOLT		1	
21	873680500	NUT		1	
23	532192557	HINGE		1	
24	532105304	HUB CAP		1	
25	532197026	TORSION SPRING		1	
26	532110452	NUT		1	
27	532193968	DEFLECTOR		1	
29	532131491	SHAFT		1	
30	532173984	SCREW		1	
32	532199789	PULLEY		1	
33	532400234	NUT		1	
34	872110612	BOLT		1	
37	819131316	WASHER		1	
38	532199541	BELT GUIDE		1	
40	873900600	NUT		1	
42	532198410	SPRING		1	
43	532197256	SPRING		1	
46	532137729	SCREW		1	
55	532197249	ARM		1	
56	532199092	SPACER		1	
57	817000616	SCREW		1	
59	532141043	GUARD		1	
60	532199471	ARM		1	
63	532199470	ARM		1	
64	532199790	LINK		1	
67	532403012	HANDLE		1	
68	532408381	BELT		1	
69	872140505	BOLT		1	
70	532401246	CLUTCH		1	
115	872110505	BOLT		1	
122	532197258	BELT GUIDE		1	
123	532197259	BELT GUIDE		1	
144	532193414	BELT GUIDE		1	
145	532193197	PULLEY		1	
147	532401872	SPRING		1	
152	532435111	CABLE		1	
188	532195161	STUD		1	
189	873900500	NUT		1	
195	817000612	SCREW		1	
199	532400095	BAFFLE		1	
209	819133210	WASHER		1	
241	532152927	SCREW		1	
242	532415598	HOSE COUPLING		1	
--	587253301	MANDREL	MANDREL ASSEMBLY (Includes Housing (Key # 14), Shaft Assembly (Key #13) and Bearing Only (Key #15) - Pulley/Nut/Washer and Blade Bolt/Washers Not Included)	1	
--	532434467	CUTTING DECK		1	

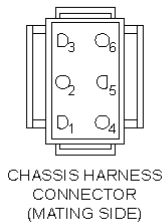


NOTE
 YOUR TRACTOR IS EQUIPPED WITH A SPECIAL ALTERNATOR SYSTEM. THE LIGHTS ARE NOT CONNECTED TO THE BATTERY, BUT HAVE THEIR OWN ELECTRICAL SOURCE. BECAUSE OF THIS, THE BRIGHTNESS OF THE LIGHTS WILL CHANGE WITH ENGINE SPEED. AT IDLE THE LIGHTS WILL DIM. AS THE ENGINE IS SPEEDED UP, THE LIGHTS WILL BECOME THEIR BRIGHTEST.

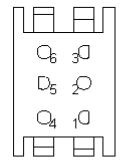


IGNITION SWITCH

POSITION	CIRCUIT	"MAKE"
OFF	M+G+A1	
RUN/OVERRIDE	B+A1	
RUN	B+A1	L+A2
START	B + S + A1	

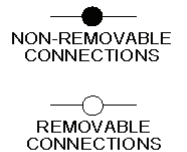


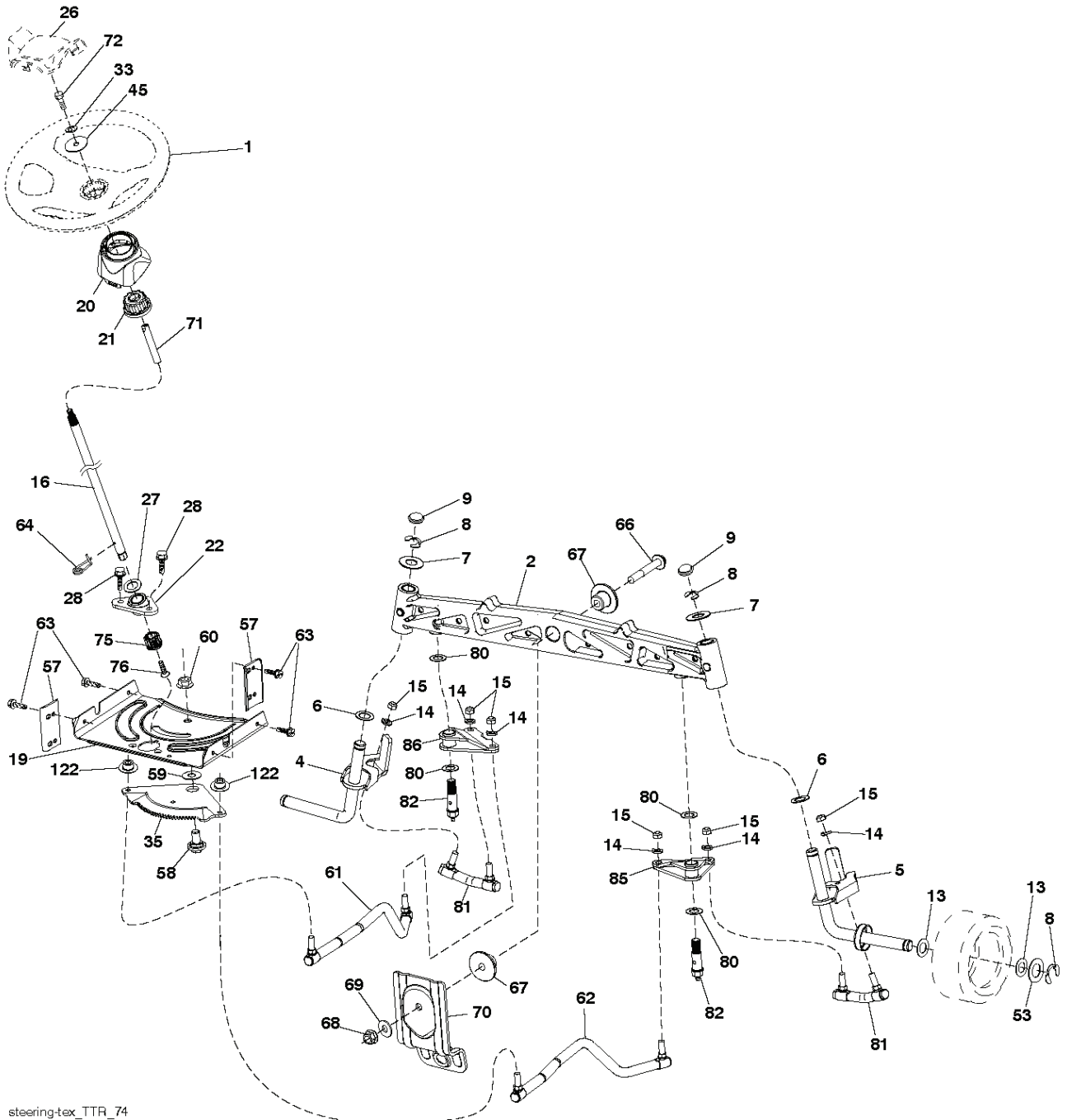
CHASSIS HARNESS CONNECTOR (MATING SIDE)



DASH HARNESS CONNECTOR (MATING SIDE)

WIRING INSULATED CLIPS
 NOTE: IF WIRING INSULATED CLIPS WERE REMOVED FOR SERVICING OF UNIT, THEY SHOULD BE RE-INSTALLED TO PROPERLY SECURE YOUR WIRING.





steering-tex_TTR_74

REF.	PART NO.	DESCRIPTION	REMARK	QTY.	KIT
1	532439740	STEERING WHEEL		1	
2	532436870	WHEEL AXLE		1	
4	532436873	SPINDLE		1	
5	532436874	SPINDLE		1	
6	532124931	WASHER		1	
7	532121748	WASHER		1	
8	812000029	RETAINER RING		1	
9	532121232	HUB CAP		1	
13	532121749	WASHER		1	
14	810040600	WASHER		1	
15	873540600	NUT		1	
16	585869202	SHAFT		1	
19	532194729	PLATE		1	
20	532441425	COVER		1	
21	532437747	ADAPTER WHEEL		1	
22	585029901	BEARING		1	
26	532439743	HUB CAP		1	
27	819211616	WASHER		1	
28	817000612	SCREW		1	
33	810040500	WASHER		1	
35	532440770	GEAR		1	
45	819113812	WASHER		1	
53	532188967	WASHER		1	
57	532407465	BRACKET		1	
58	532194747	BOLT		1	
59	532194748	WASHER		1	
60	873971000	NUT		1	
61	532436884	LINK		1	
62	532436885	TUBE		1	
63	817000512	SCREW		1	
64	532199849	SPRING RETAINER		1	
66	871020748	BOLT		1	
67	532194737	BUSHING		1	
68	873900700	NUT		1	
69	532199162	WASHER		1	
70	532196197	BRACKET		1	
71	532190752	SHAFT		1	
72	532428982	BOLT		1	
75	580683701	PINION		1	
76	580683601	SCREW		1	
80	532001370	WASHER		1	
81	532436887	LINK		1	
82	532436877	BOLT		1	
85	532441873	PIVOT		1	
86	532441872	PIVOT		1	
122	532444962	CAP		1	
	PART NO.		REMARK		KIT