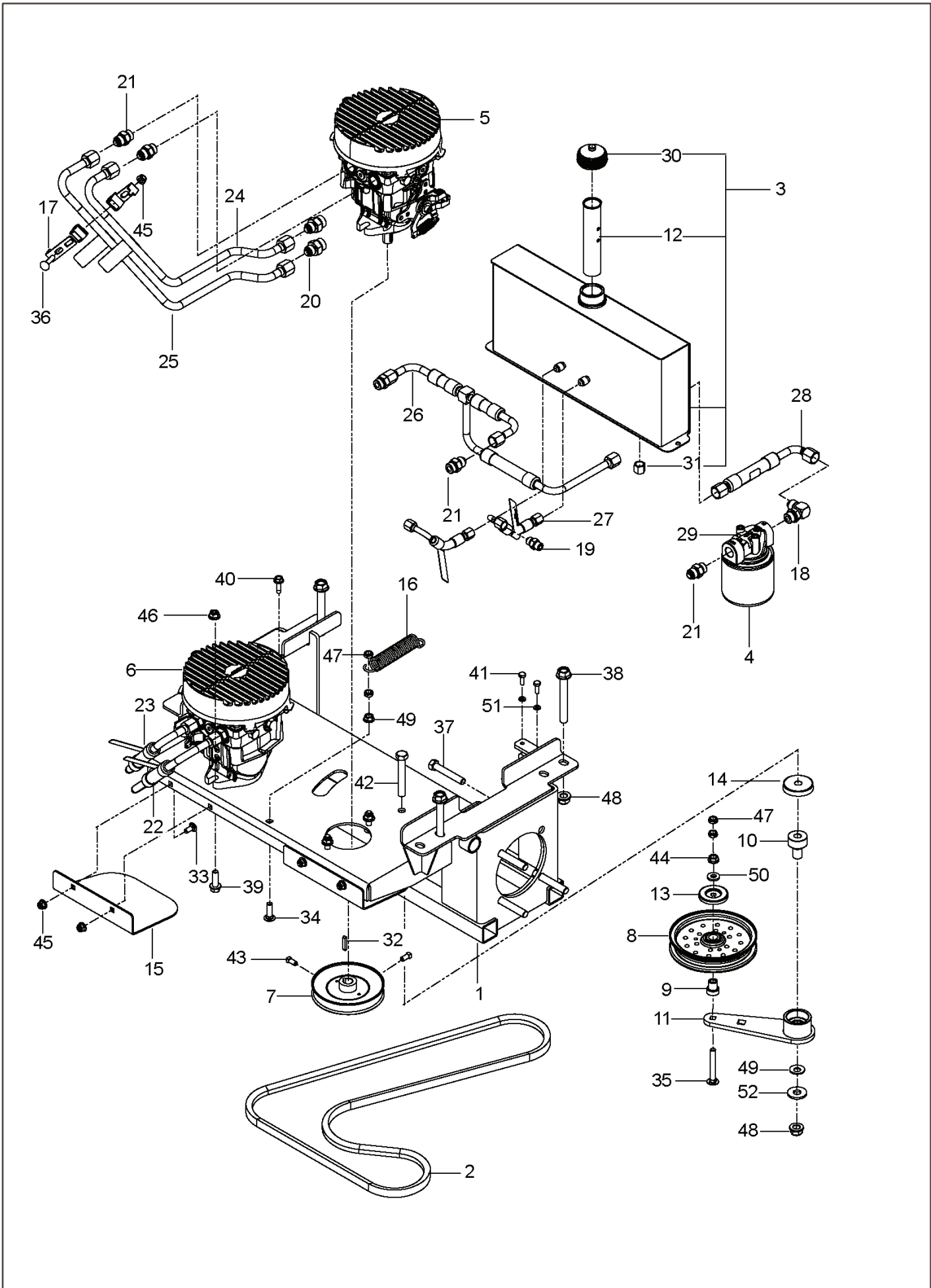
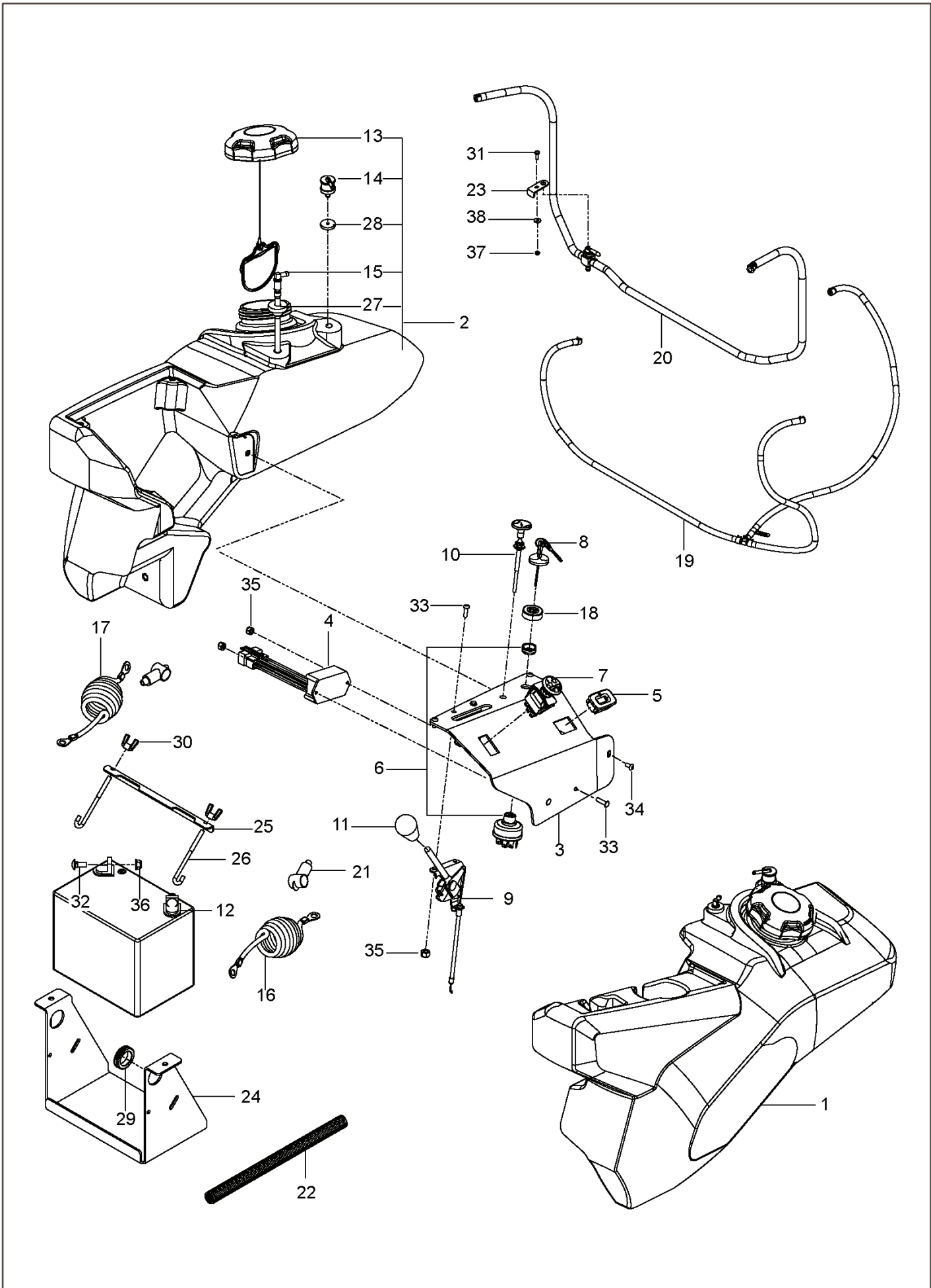


PZ 5426 FX, 966614001-01, 2014-04

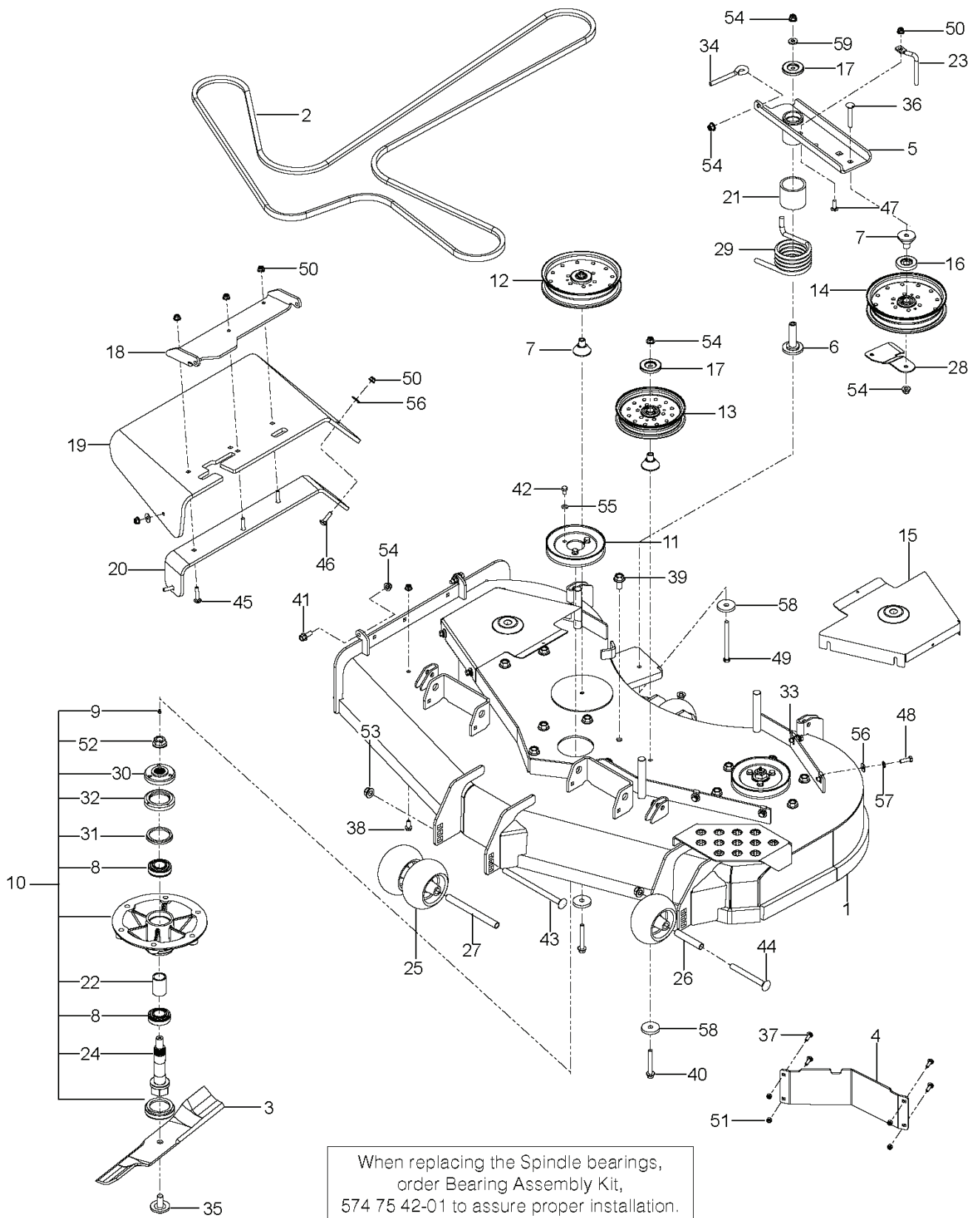
SPARE PARTS LIST



REF.	PART NO.	DESCRIPTION	REMARK	QTY.	KIT
1	506007902	FRAME		1	
2	573978301	BELT		1	
3	576035902	RESERVOIR		1	
4	522805401	FILTER		1	
5	506120501	PUMP	LT	1	
6	506120401	PUMP	RT	1	
7	510019002	PULLEY		2	
8	510283702	IDLER		1	
9	525435601	PIVOT		1	
10	510206301	PIVOT		1	
11	510041603	ARM		1	
12	522805001	TUBE		1	
13	510254501	SHIELD		1	
14	539114662	SHIELD, DUST		1	
15	574398502	SHIELD		2	
16	577437201	SPRING		1	
17	576577701	ASSEMBLY		2	
18	539101242	ELBOW		1	
19	539103316	CONNECTION		2	
20	539101239	CONNECTOR		4	
21	539101237	CONNECTION		7	
22	510013601	LINE		1	
23	510013701	LINE		1	
24	510013801	LINE		1	
25	510013901	LINE		1	
26	510014001	LINE		1	
27	510014501	LINE		2	
28	510010701	LINE		1	
29	575872301	HEAD		1	
30	522805301	CAP		1	
31	539105168	CAP		1	
32	539101177	KEY		2	
33	872140506	BOLT		4	
34	872140610	BOLT		1	
35	872140622	BOLT		1	
36	872140512	BOLT		1	
37	874780844	BOLT		8	
38	525544801	SCREW		4	
39	874490620	SCREW		4	
40	817490516	SCREW		2	
41	539990072	SCREW		2	
42	874780852	BOLT		1	
43	539102717	SCREW		4	
44	539990613	NUT		1	
45	539112899	NUT, 5/16-18, NYLOC		5	
46	521996501	NUT		4	
47	539200282	NUT		8	
48	521991101	NUT		5	
49	539115528	1/2' CONTACT BELLSPR		1	
50	522023401	WASHER		1	
51	539990052	WASHER		2	
52	819182212	WASHER		1	



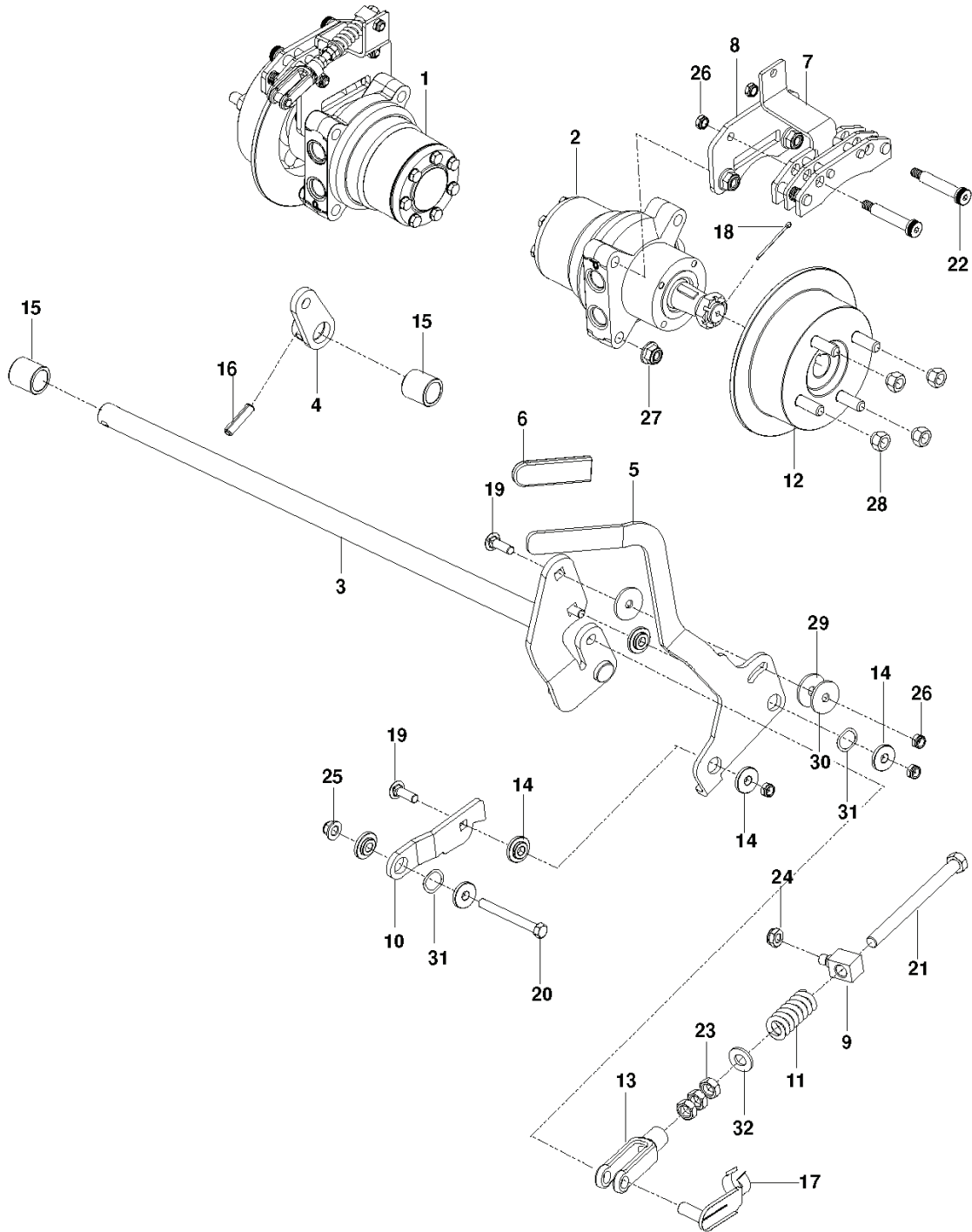
REF.	PART NO.	DESCRIPTION	REMARK	QTY.	KIT
1	589997101	FUEL TANK ASSY		1	
2	590025901	FUEL TANK ASSY		1	
3	529280202	PANEL		1	
4	574514001	TIMER		1	
5	586161801	HOUR METER		1	
6	574455401	SWITCH		1	
7	582107602	SWITCH		1	
8	574455501	KEY		1	
9	574207001	CABLE		1	
10	574206901	CABLE		1	
11	539132624	KNOB		1	
12	539102436	BATTERY		1	
13	575018101	CAP		2	
14	576618101	TANK VENT		2	
15	525865401	TUBE ASSY		2	
16	522718701	CABLE		1	
17	522710701	CABLE		1	
18	539103178	NUT CAP		1	
19	587593401	HOSE ASSY		1	
20	577150501	SERVICE KIT		1	
21	539102759	INSULATOR		2	
22	579579701	LOOM		1	
23	587181404	BRACKET		1	
24	510029902	BRACKET		1	
25	588107201	BRACKET		1	
26	510064001	HOOK		2	
27	539105245	GROMMET		2	
28	576618201	GROMMET		2	
29	539105974	GROMMET		1	
30	539990997	NUT		2	
31	539990580	SCREW		1	
32	872140506	BOLT		2	
33	574822701	SCREW		4	
34	539114341	SCREW		3	
35	539976977	NUT		4	
36	539112899	NUT, 5/16-18, NYLOC		2	
37	539108120	NUT		1	
38	539990598	WASHER		1	
	589670101	HARNES	NOT SHOWN	1	



REF.	PART NO.	DESCRIPTION	REMARK	QTY.	KIT
1	574497101	DECK	W/ SFTY DECALS	1	
2	575658401	BELT		1	
3	575265901	RIDE ON BLADE		3	
4	510437502	BAFFLE		1	
5	574722201	SERVICE KIT		1	
6	522729701	BEARING		1	
7	510263701	BEARING		3	
8	539130638	BEARING		6	
9	539976998	NIPPLE		3	
10	525836401	SPINDLE		3	
11	521979701	PULLEY		3	
12	525598201	PULLEY		1	
13	510019601	PULLEY		1	
14	510015101	PULLEY		1	
15	510131202	SHIELD		2	
16	510262201	SHIELD		1	
17	510254501	SHIELD		2	
18	574197002	BRACKET		1	
19	525485801	CHUTE		1	
20	525486002	BRACKET		1	
21	525465601	SPACER		1	
22	539130641	SPACER - BEARING		3	
23	574262201	KEEPER		1	
24	525836001	SHAFT		3	
25	574169601	ROLLER		4	
26	574196401	TUBE		2	
27	574196501	TUBE		1	
28	574262102	GUIDE		1	
29	525310901	SPRING		1	
30	539130637	HUB		3	
31	539130639	V-RING. 55MM		6	
32	539130643	CUP		6	
33	539104763	CLIP		8	
34	574202001	EYE BOLT		1	
35	539119007	SCREW		3	
36	539128101	BOLT		1	
37	539115620	1/4-20X3/4 CARR BLT		4	
38	525464701	SCREW		3	
39	574210601	SCREW		18	
40	874490644	BOLT		2	
41	525612801	SCREW		2	
42	539130315	HCS		9	
43	510022401	RHSNB		1	
44	510022301	SCREW		2	
45	539102933	SCREW		3	
46	539100472	SCREW		2	
47	539107271	SCREW		1	
48	539990209	SCREW		8	
49	539101686	SCREW		1	
50	539112899	NUT. 5/16-18. NYLOC		9	
51	539976978	NUT		4	
52	539130653	NUT		3	
53	521991101	NUT		3	
54	521996501	NUT		4	
55	539109600	WASH 5/16 DISC SPRING ZD		9	
56	539990692	WASHER		10	
57	539990187	WASHER		8	
58	539106504	WASHER		3	
59	522023401	WASHER		1	
	574754201	KIT		1	

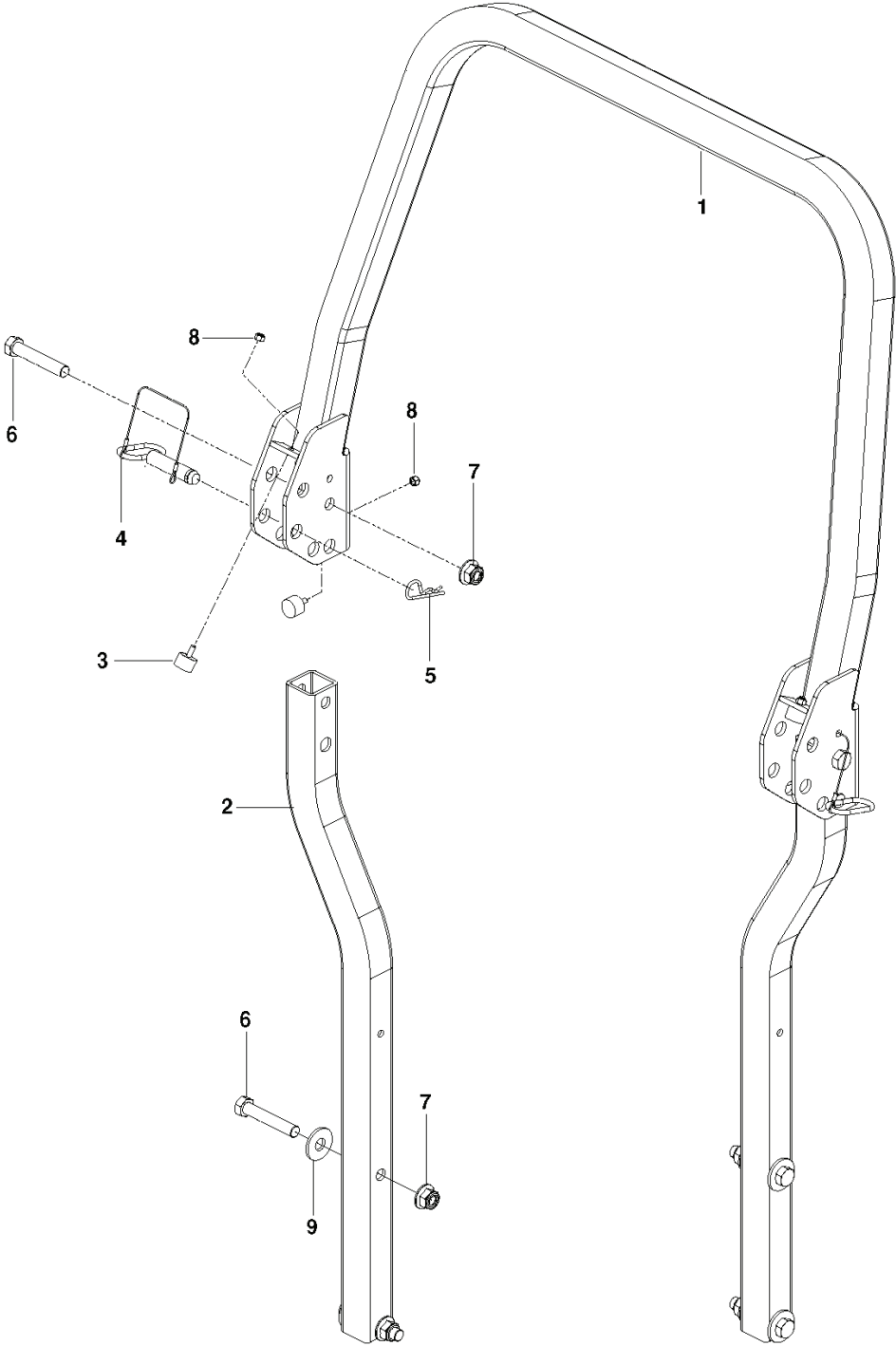
REF.	PART NO.	DESCRIPTION	REMARK	QTY.	KIT
1	510408502	PLATE		1	
2	510408602	PLATE		1	
3	525822201	PLATE		2	
4	510089801	ROD		2	
5	510407601	ROD		1	
6	510406301	BAR		1	
7	510410703	SHAFT		2	
8	510409602	SHAFT		1	
9	510023601	SHAFT		4	
10	510023902	BLOCK		4	
11	510412301	PIVOT		2	
12	510407201	LATCH		1	
13	510406801	LATCH		1	
14	510089401	BUSHING		4	
15	510089201	BUSHING		2	
16	539916561	MACHINE BUSHING		1	
17	510029201	SPRING		2	
18	510376601	SPRING		1	
19	510376701	SPRING		1	
20	510106501	ASSEMBLY		2	
21	510406601	LINK		1	
22	510083801	BALL JOINT		1	
23	510407501	SWIVEL		1	
24	510406401	SWIVEL		1	
25	510362501	SPACER		4	
26	510408401	SPACER		1	
	525465501	ASSEMBLY		1	
27	510022502	ARM		1	
28	510410002	ARM		4	
29	510022501	ARM		1	
30	539102641	CHAIN		4	
31	510089501	PAD		1	
32	510406701	GUIDE		1	
33	510408301	PEDAL		1	
34	510407801	PEDAL		1	
35	510406501	CAP		1	
36	510090101	PIN		8	
37	510016501	PIN		1	
38	515988201	PIN		2	
39	539120993	EYE BOLT		2	
40	525822501	KEY		4	
41	539105069	RETAINER RING		4	
42	539990870	RING		1	
43	522705201	RING		4	
44	539101949	RETAINER RING		2	
45	539102454	RETAINER RING		3	
46	539912730	RING		1	
47	539990208	SCREW		2	
48	539122728	3/8-16 X 3' CARR BOLT		1	
49	525828901	HHFS		2	
50	525465701	HHFS		4	
51	525822101	BOLT		4	
52	525612801	SCREW		2	
53	525829001	HHFS		2	
54	525465401	SCREW		1	
55	510408201	BOLT		1	
56	516035501	BOLT		1	
57	522705601	SCREW		1	
58	521996501	NUT		4	
59	539991112	NUT		1	
60	521991101	NUT		3	
61	525829101	NUT		2	
62	539990625	NUT		4	
63	539108677	NUT 3/4-10 HEX ZD		2	
64	539112899	NUT, 5/16-18, NYLOC		8	
65	539108732	NUT 3/8-24 HEX JAM ZD		1	
66	539990122	WASHER		1	

PARKING BRAKE



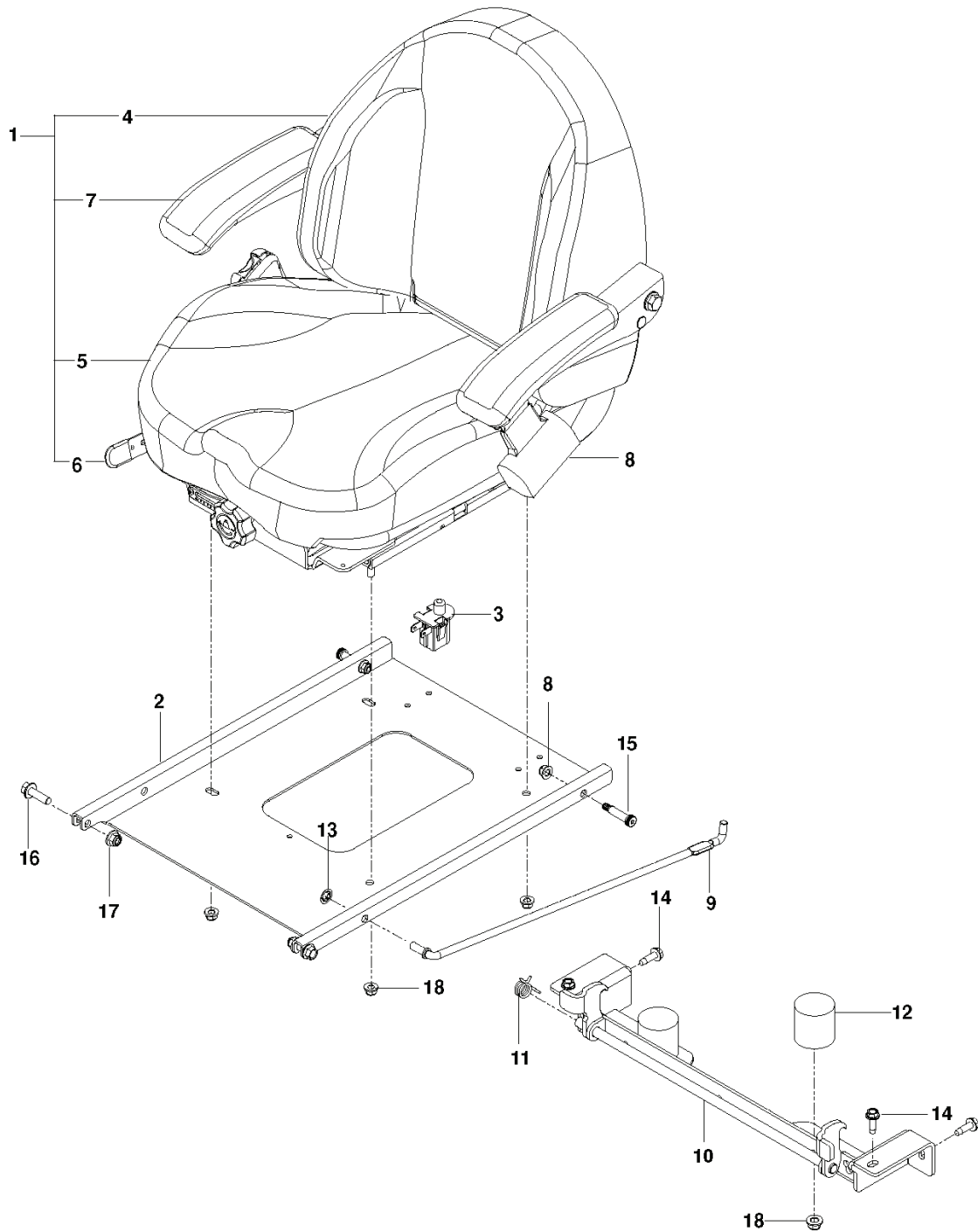
REF.	PART NO.	DESCRIPTION	REMARK	QTY.	KIT
1	574805202	MOTOR	RT	1	
2	574805201	MOTOR	LT	1	
3	525851201	SHAFT		1	
4	510025901	ARM		1	
5	515980002	LEVER		1	
6	539976526	HANDLE		1	
7	539133047	CALIPER		2	
8	525851601	PLATE		2	
9	525851401	SWIVEL		1	
10	515980301	LINK		1	
11	539113952	SPRING		1	
12	525848701	HUB		2	
13	539977465	BRACKET		1	
14	539132161	BUSHING		6	
15	510089201	BUSHING		2	
16	539110631	5/16 DIA ROLL PIN		1	
17	522705901	PIN		1	
18	539102889	SPLIT PIN		2	
19	539100413	RHSNB 3/8-16 X 1-1/4 GD5 ZN		3	
20	539923463	HCS 3/8-16 X 3-1/4 GR5 ZD		1	
21	539104984	SCREW		1	
22	516035501	BOLT		4	
23	539108732	NUT 3/8-24 HEX JAM ZD		3	
24	539115617	5/16-18 THIN PROF NY		1	
25	521996501	NUT		1	
26	539200282	NUT		9	
27	521991101	NUT		8	
28	539101173	NUT		8	
29	525490901	WASHER		2	
30	539912063	CONE WASHER		1	
31	539133007	WASHER		2	
32	539990122	WASHER		1	

PROTECTION FRAME



REF.	PART NO.	DESCRIPTION	REMARK	QTY.	KIT
1	575324502	ROPS		1	
2	574330902	TUBE		2	
3	522801401	BUMPER		4	
4	574388001	PIN		2	
5	539200715	PIN HAIR .148 X 2-15/16 #210		2	
6	539115576	5/8-11 X 3-1/2 HHB		6	
7	525829101	NUT		6	
8	539976978	NUT		4	
9	539102653	WASHER		4	

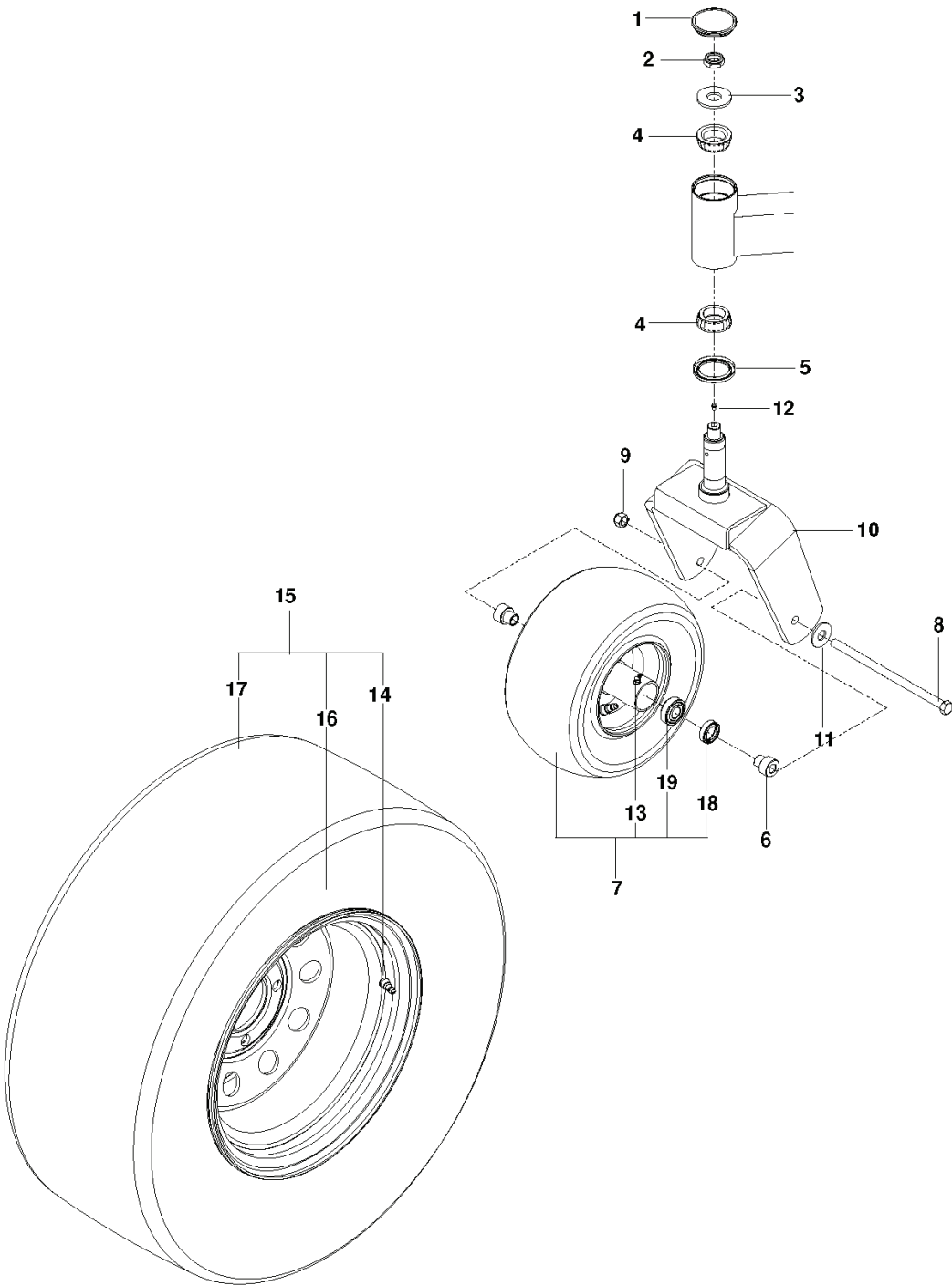
SEAT



REF.	PART NO.	DESCRIPTION	REMARK	QTY.	KIT
1	574284601	SEAT		1	
2	510039302	PAN		1	
3	539119741	SWITCH		1	
4	574284602	SEAT		1	
5	574284603	SEAT		1	
6	574284604	SEAT		1	
7	574284605	SEAT		1	
8	539130359	BELT		1	
9	510064101	ROD		1	
10	574182202	LATCH		1	
11	520283101	SPRING		1	
12	510283801	BUMPER		2	
13	539913847	BOLT		2	
14	539113226	BLT 5/16-18 X 1 THRD FORM ZD		4	
15	515990601	BOLT		2	
16	525834201	SCREW		2	
17	521996501	NUT		4	
18	539112899	NUT, 5/16-18, NYLOC		6	

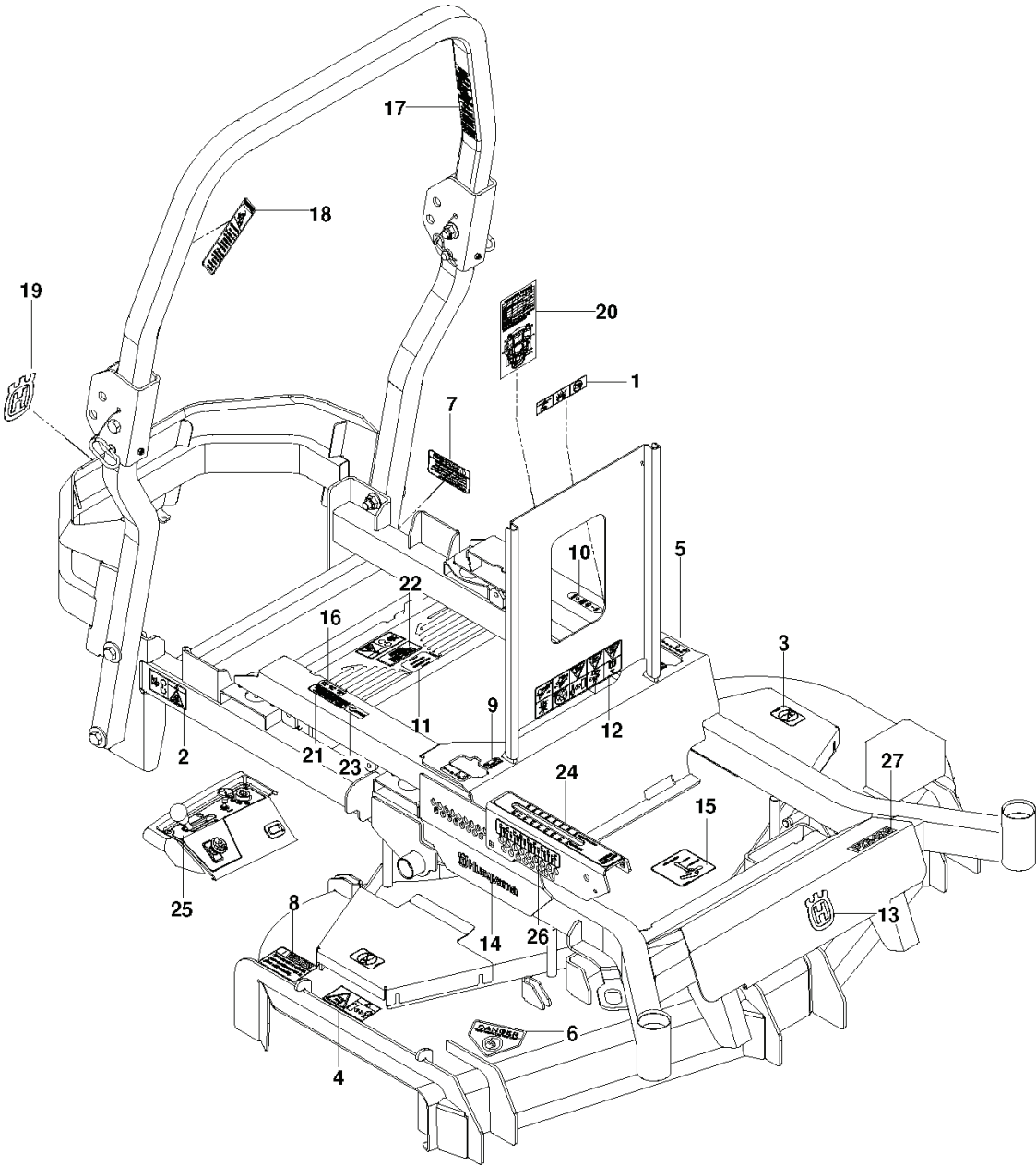
REF.	PART NO.	DESCRIPTION	REMARK	QTY.	KIT
1	577327702	FRAME	ORG	1	
2	525447901	ASSEMBLY		1	
3	539113792	SWITCH		1	
4	532109553	SWITCH		2	
5	539131518	BEARING		4	
6	577251701	BRACKET		2	
7	516020301	DAMPER		2	
8	574269401	LEVER		2	
9	577042403	SERVICE KIT	RT	1	
10	577042303	SERVICE KIT	LT	1	
11	576140302	LEVER		2	
12	539131749	ROD END		1	
13	539131799	KNOB		1	
14	539102845	SPRING		1	
15	539020035	SPRING		1	
16	576850301	SPRING		1	
17	577252401	SPACER		2	
18	511594901	BUSHING		1	
19	511595001	LINK		1	
20	539110607	10MM BALL STUD		2	
21	539130894	GRIP		2	
22	578811501	NUT		2	
23	539102678	PLATE		1	
24	577265801	BRACKET		2	
25	539104763	CLIP		4	
26	577251801	BLOCK		2	
27	510082101	MOUNT		4	
28	539109149	CONNECTOR		2	
29	539976988	PIN		4	
30	525612801	SCREW		4	
31	525866201	HHFS		4	
32	525464701	SCREW		20	
33	539101332	SCREW		2	
34	574822701	SCREW		6	
35	576850402	SCREW		2	
36	539990627	SCREW		1	
37	539990074	SCREW		1	
38	539990316	BOLT		2	
39	539913847	BOLT		2	
40	539127046	NUT		1	
41	539102234	NUT		1	
42	539108120	NUT		4	
43	539108010	NUT		2	
44	539990717	NUT		2	
45	521996501	NUT		4	
46	539108732	NUT 3/8-24 HEX JAM ZD		4	
47	539112899	NUT, 5/16-18, NYLOC		8	
48	539976977	NUT		2	
49	539990187	WASHER		2	
50	539990188	WASHER		4	
51	539990122	WASHER		4	
52	539111897	WASHER		4	

WHEELS / TIRES

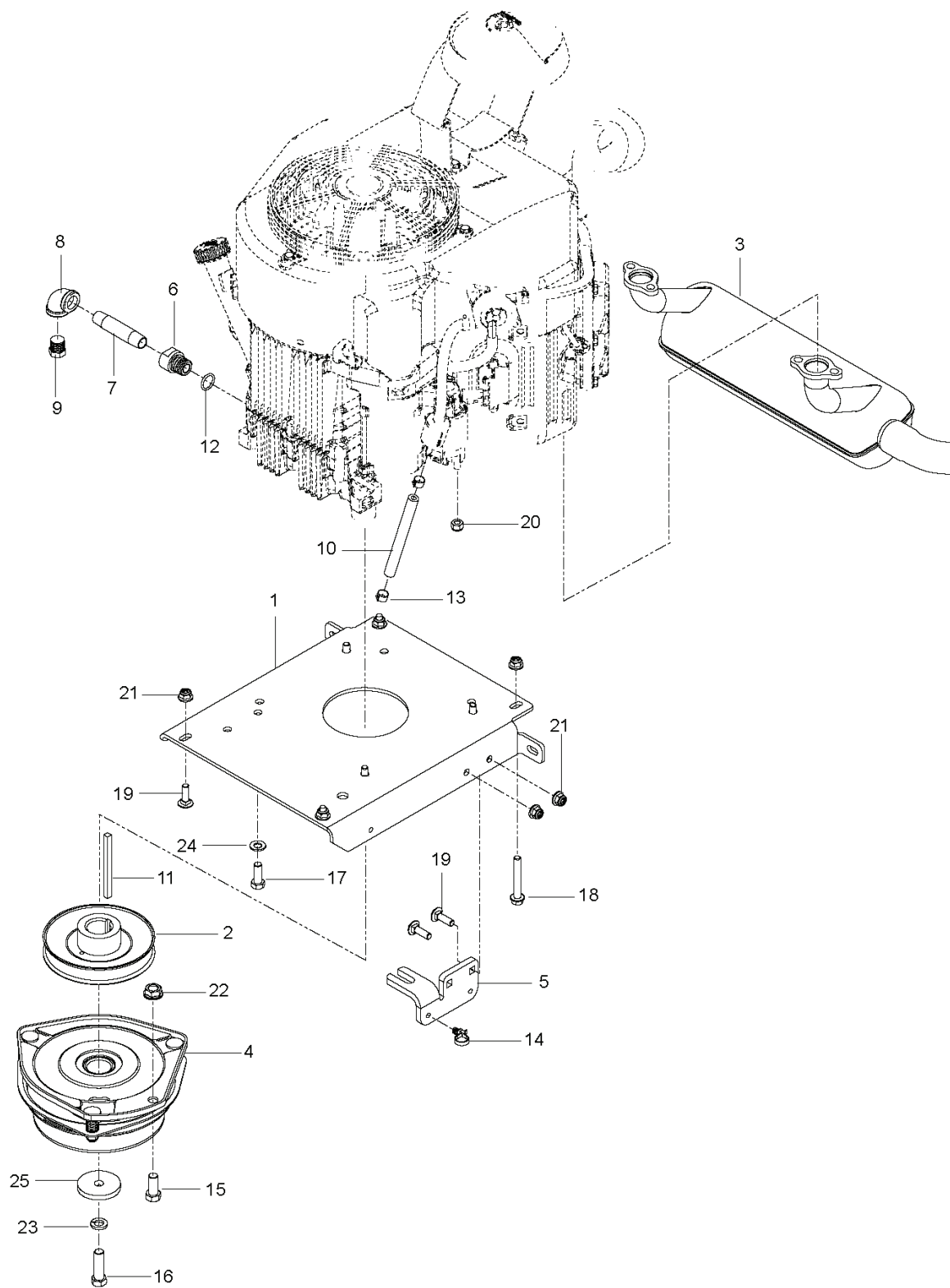


REF.	PART NO.	DESCRIPTION	REMARK	QTY.	KIT
1	510034001	CAP		2	
2	522842601	NUT		2	
3	574824701	WASHER		2	
4	510034401	BEARING		4	
5	510034301	SEAL		2	
6	539105518	SPACER		4	
7	510154601	TIRE		2	
8	539105517	BOLT		2	
9	521991101	NUT		2	
10	525611902	FORK		2	
11	539990250	WASHER		2	
12	539101474	NIPPLE		2	
13	539103300	NIPPLE		2	
14	539912234	VALVE		2	
15	522905101	TIRE		2	
16	522905102	TIRE		2	
17	539107431	TIRE		2	
18	539105524	SEALING		2	
19	539105525	BEARING		2	

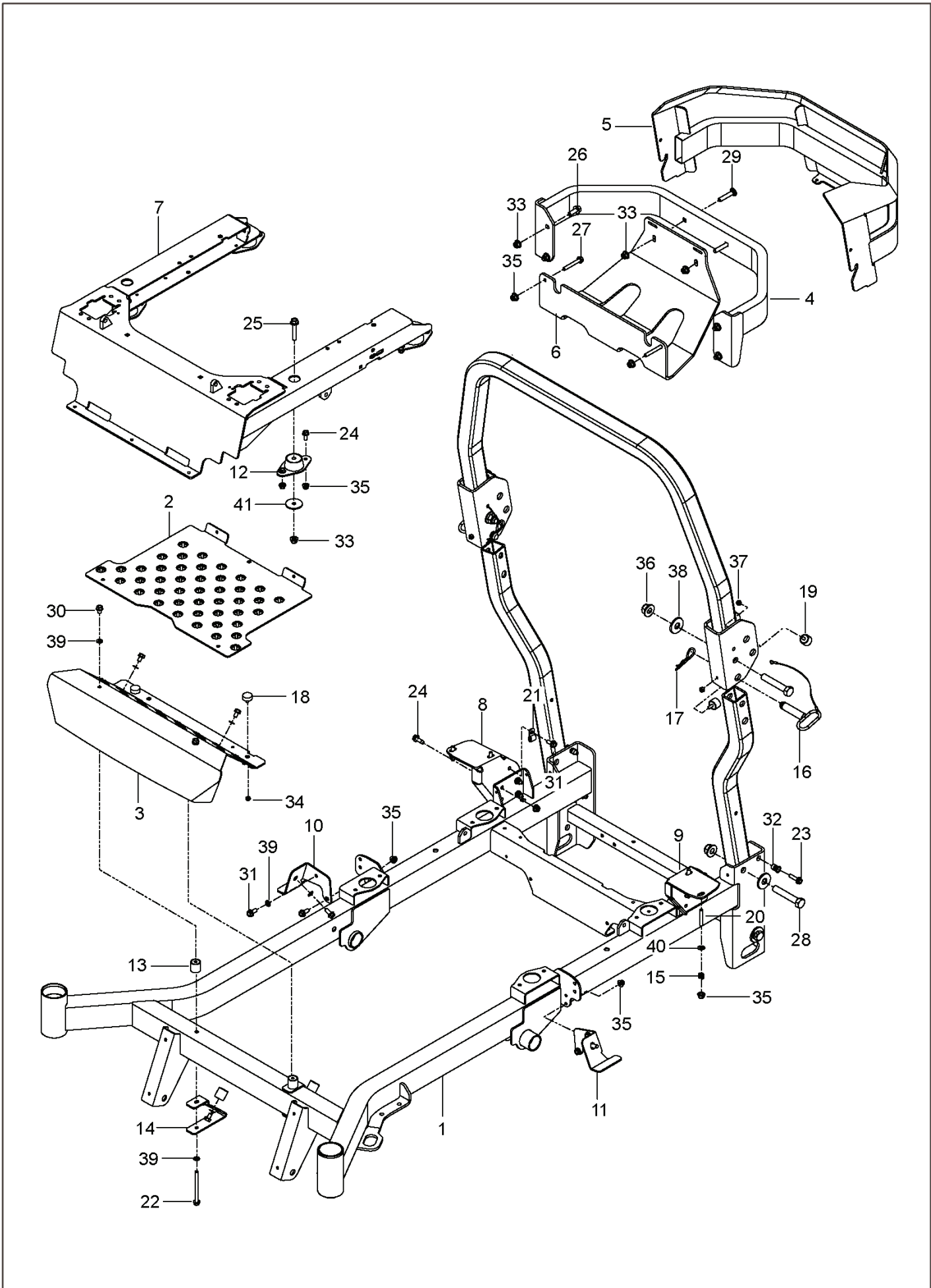
DECALS



REF.	PART NO.	DESCRIPTION	REMARK	QTY.	KIT
1	539105745	DECAL	BATTERY WARNING	1	
2	539105744	DECAL	BELT DRIVE WARN	2	
3	539105743	DECAL	NO STEP	2	
4	539105746	DECAL	SEVERING	1	
5	539103333	DECAL	MOTION CONTROL	2	
6	539913010	DECAL	BLADE WARNING	1	
7	539101881	DECAL	EXHAUST	1	
8	539113224	DECAL	DEFLECTOR	1	
9	539110974	DECAL	TRACKING	2	
10	539120006	DECAL		1	
11	539114832	DECAL	OIL TANK	1	
12	539107959	DECAL	WARNING	1	
13	532428676	DECAL	CROWN H	1	
14	532429196	DECAL	HUSQVARNA	2	
15	574437301	DECAL	BELT ROUTE	1	
16	574569401	DECAL	FUSE	1	
17	574569006	DECAL	ROPS	1	
18	574569002	DECAL	ROPS WARNING	1	
19	574455001	DECAL	CROWN H	1	
20	574825901	DECAL	SERVICE	1	
21	532424102	DECAL	SPARK ARRESTOR	1	
22	574815502	DECAL	HYDRO GEAR	1	
23	539110279	DECAL		1	
24	516038101	DECAL	HEIGHT	1	
25	510246602	DECAL	CONTROL	1	
26	525349701	DECAL	HEIGHT	1	
27	574569601	DECAL	PZ5426	1	



REF.	PART NO.	DESCRIPTION	REMARK	QTY.	KIT
1	510004602	PLATE		1	
2	510019801	PULLEY		1	
3	525750301	MUFFLER		1	
4	525749501	CLUTCH		1	
5	522676702	STOP		1	
6	539119680	ADAPTER		1	
7	539118911	NIPPLE		1	
8	539105072	90DEG.ELBOW 3/8NPT		1	
9	522837001	PLUG		1	
10	539932956	GAS LINE 10"		1	
11	525749901	KEY		1	
12	539109618	O-RING		1	
13	539912222	CLAMP		2	
14	505280001	TIE WRAP		1	
15	539100143	SCREW		1	
16	581332801	BOLT		1	
17	539990563	SCREW		4	
18	574233801	SCREW		3	
19	539990208	SCREW		3	
20	539103153	NUT		1	
21	539112899	NUT, 5/16-18, NYLOC		2	
22	539102582	NUT		1	
23	539990247	WASHER		1	
24	539102593	WASHER		4	
25	539125626	WASHER		1	
	525554201	HARNESS	NOT SHOWN	1	
	574825801	KIT	SPARK ARRESTOR	1	



REF.	PART NO.	DESCRIPTION	REMARK	QTY.	KIT
1	574482802	FRAME	w/ SAFETY DECALS	1	
2	574215602	PLATE	ORG	1	
3	574215702	PLATE	ORG	1	
4	522675702	BUMPER	ORG	1	
5	587898002	GUARD	GRY	1	
6	574228602	PLATE	GRY	1	
7	577327702	FRAME		1	
8	529279603	MOUNT		1	
9	529279703	MOUNT		1	
10	529279903	MOUNT		1	
11	529280003	MOUNT		1	
12	510082101	MOUNT		4	
13	510083201	MOUNT		4	
14	510040301	BRACKET		2	
15	539102845	SPRING		4	
16	574388001	PIN		2	
17	539200715	PIN HAIR .148 X 2-15/16 #210		2	
18	575811501	BUMPER		2	
19	522801401	BUMPER		4	
20	539102502	STUD		4	
21	539109867	CLAMP		1	
22	539131780	HHFS 5/16-18 X 3/4		2	
23	525544001	BOLT		2	
24	874490512	BOLT		14	
25	874490632	SCREW		4	
26	525612801	SCREW		4	
27	574233801	SCREW		2	
28	580754601	BOLT		6	
29	539100145	BOLT		2	
30	817490508	SCREW		6	
31	817490516	SCREW		7	
32	539111028	NUTSERT 5/16-18 THICK GRIP		2	
33	521996501	NUT		8	
34	539108120	NUT		2	
35	539112899	NUT, 5/16-18, NYLOC		22	
36	525829101	NUT		6	
37	873800400	NUT		4	
38	539102653	WASHER		6	
39	539109600	WASH 5/16 DISC SPRING ZD		6	
40	819111116	WASHER		4	
41	539111897	WASHER		4	
	576738801	KIT		1	