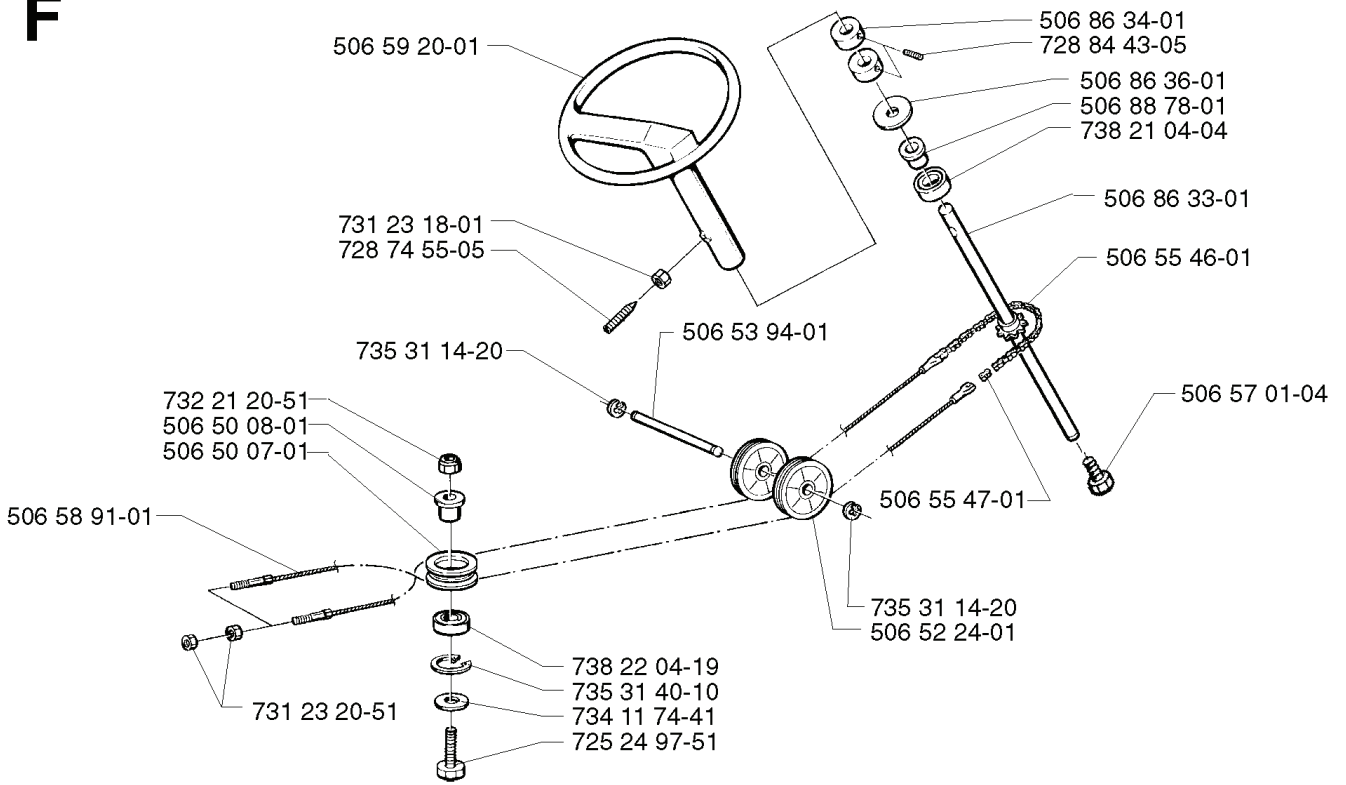


RIDER 11, 2002-02

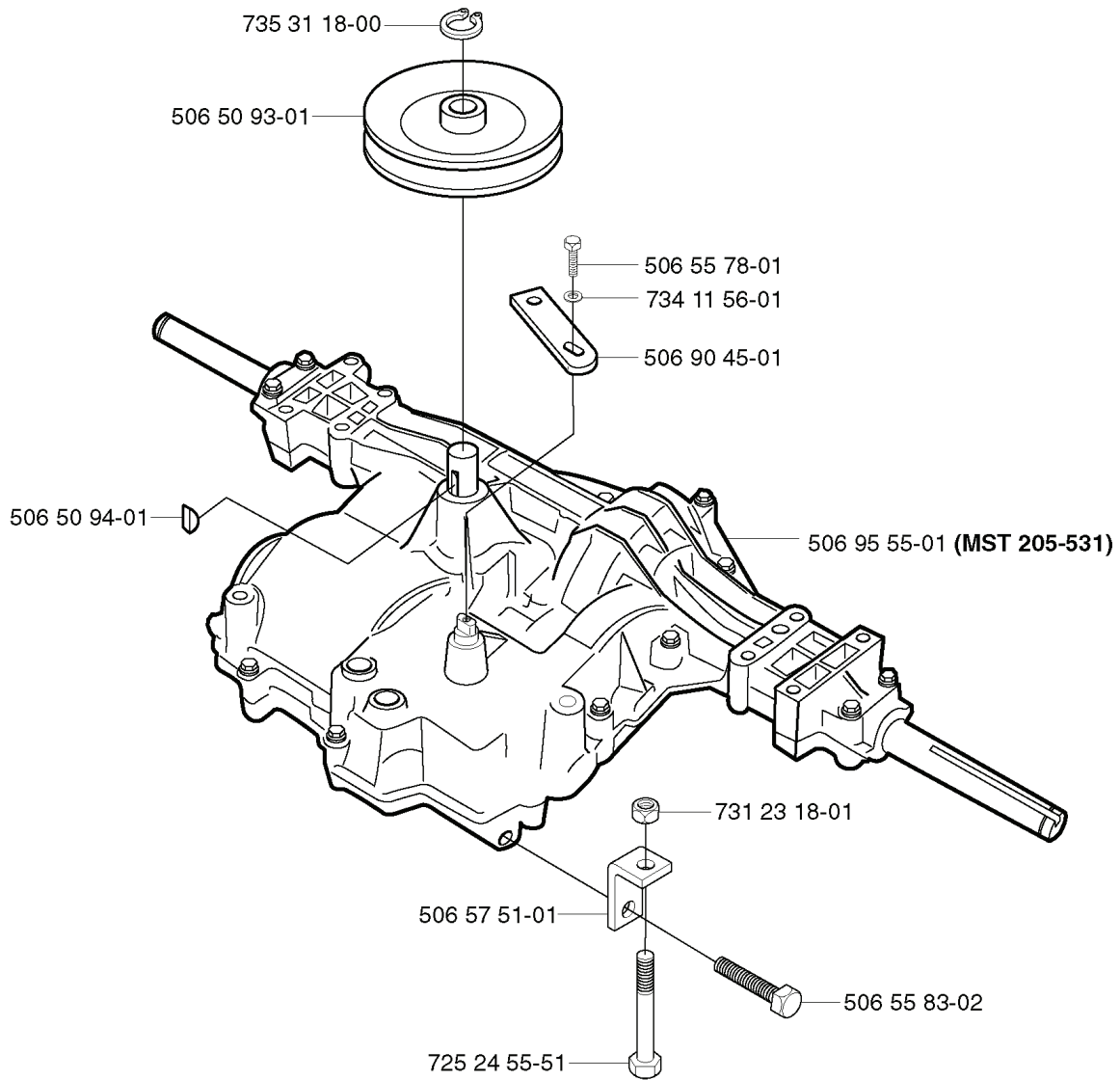
SPARE PARTS LIST

F



REF.	PART NO.	DESCRIPTION	REMARK	QTY.	KIT
732 21 20-51	732212051	NUT		1	
506 50 08-01	506500801	BUSHING		1	
506 50 07-01	506500701	BARRING WHEEL		1	
506 58 91-01	506589101	WIRE ASSY		1	
731 23 20-51	731232051	HEXAGON NUT		1	
725 24 97-51	725249751	SCREW		1	
734 11 74-41	734117441	WASHER		1	
735 31 40-10	735314010	CIRCLIP		1	
738 22 04-19	738220419	BALL BEARING		1	
728 74 55-05	728745505	SCREW IHSETM		1	
731 23 18-01	731231801	HEXAGON NUT		1	
506 59 20-01	506592001	STEERING WHEEL		1	
506 53 94-01	506539401	SHAFT		1	
506 55 47-01	506554701	LINKAGE		1	
735 31 14-20	735311420	E-CLIP		1	
506 52 24-01	506522401	STARTER PULLEY		1	
506 57 01-04	506570104	SCREW EHHFM		1	
506 55 46-01	506554601	CHAIN		1	
506 86 33-01	506863301	ROD STEERING ASSY		1	
738 21 04-04	738210404	BALL BEARING		1	
506 88 78-01	506887801	SPACER		1	
506 86 36-01	506863601	WASHER		1	
728 84 43-05	728844305	SCREW IHSETM		1	
506 86 34-01	506863401	DRIVER		1	

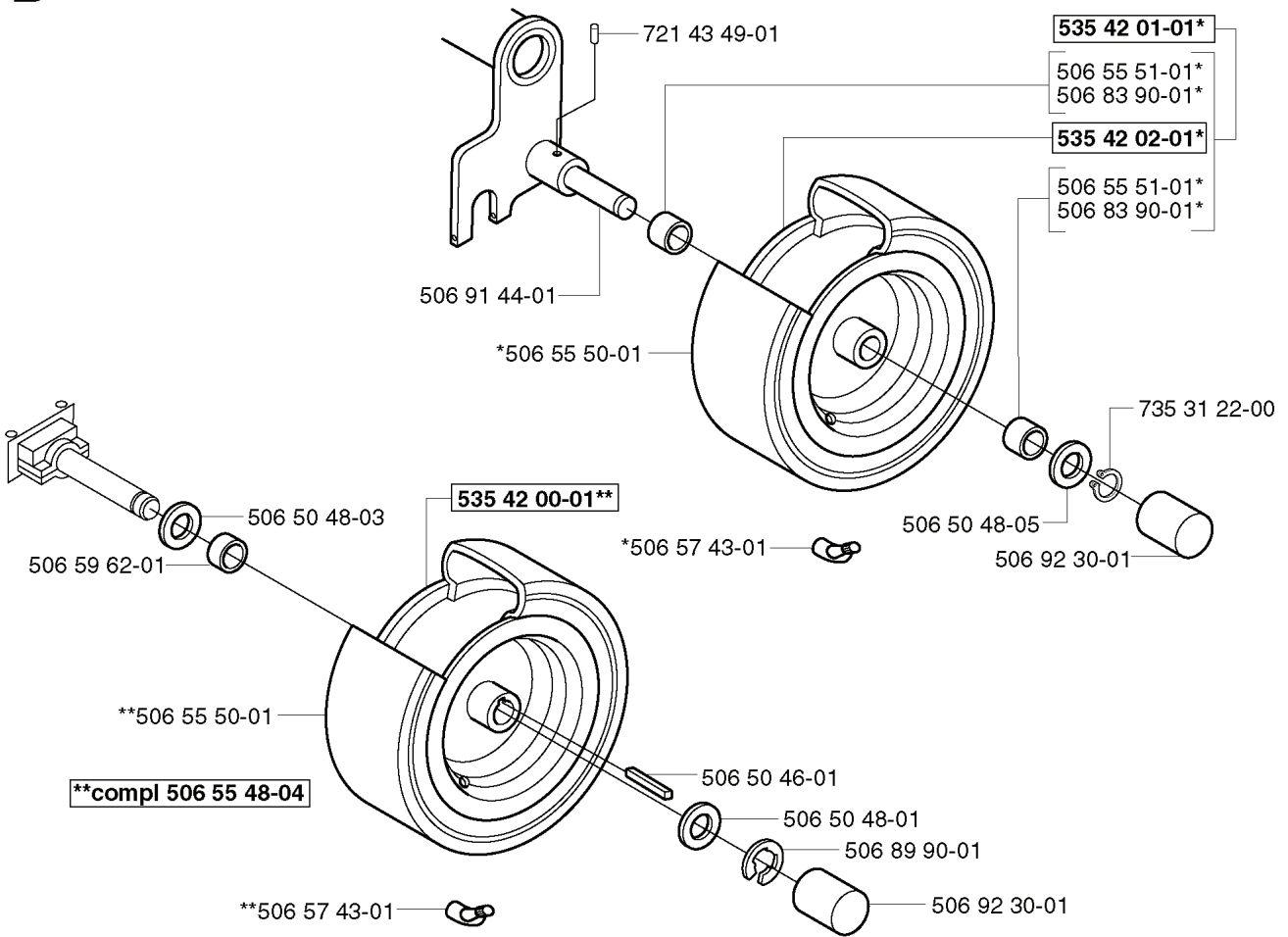
H



xxx xx xx-xx = New part,
Neues teil,
Nouvelle piece,
Nueva pieza,
Ny detalj

REF.	PART NO.	DESCRIPTION	REMARK	QTY.	KIT
735 31 18-00	735311800	CIRCLIP		1	
506 50 93-01	506509301	PULLEY		1	
506 50 94-01	506509401	WOODRUFF KEY		1	
506 57 51-01	506575101	BRACKET		1	
725 24 55-51	725245551	SCREW		1	
506 55 83-02	506558302	SCREW EHHFT		1	
731 23 18-01	731231801	HEXAGON NUT		1	
506 95 55-01	506955501	GEAR CASE MST 205	MST 205-531	1	
506 90 45-01	506904501	VÄXELARM		1	
734 11 56-01	734115601	WASHER		1	
506 55 78-01	506557801	U6S-UNF1/4"X28 L=16		1	

D ***compl 506 55 49-05**

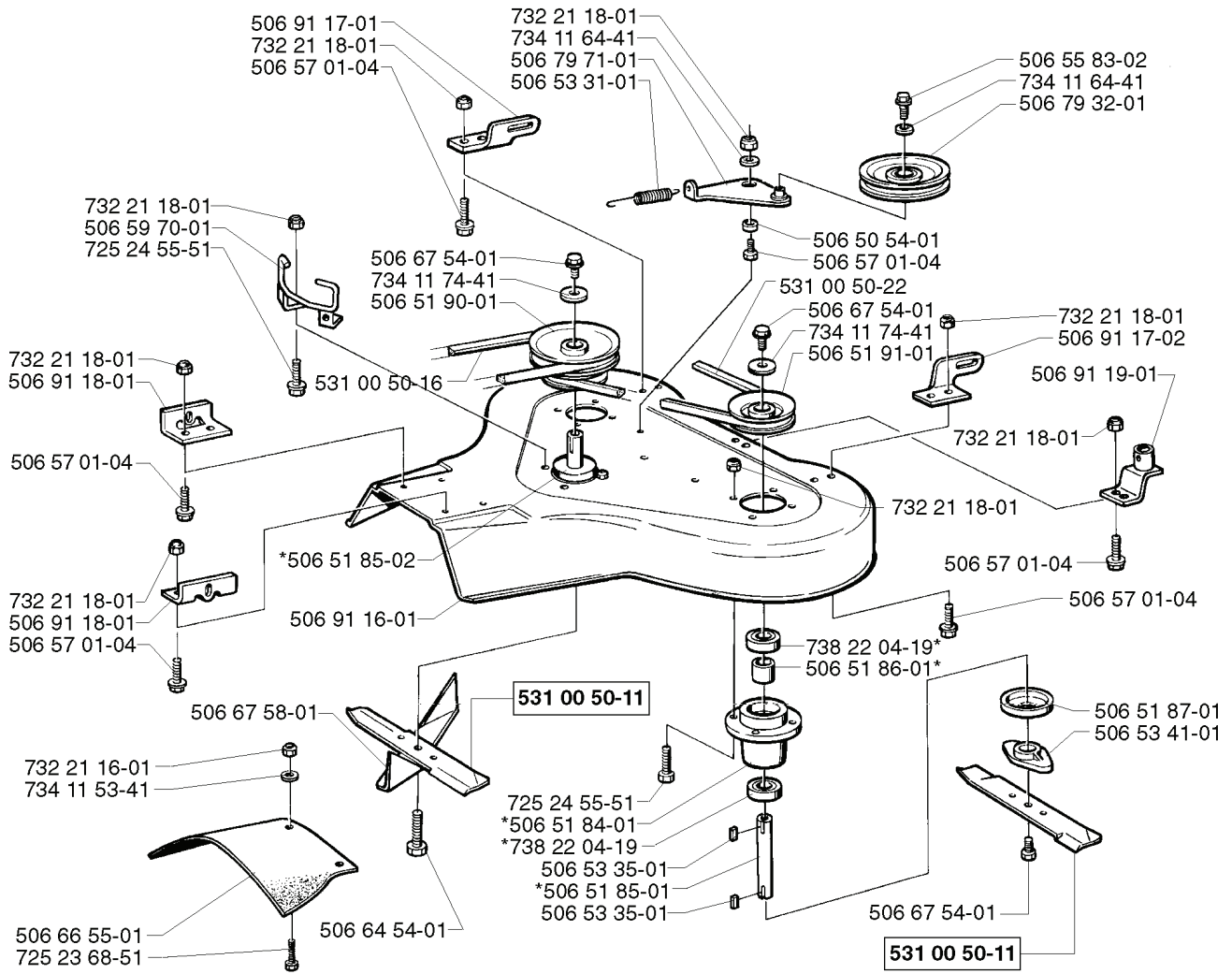


**xxx xx xx-xx = New part,
Neues teil,
Nouvelle piece,
Nueva pieza,
Ny detalj**

REF.	PART NO.	DESCRIPTION	REMARK	QTY.	KIT
506 55 49-05	506554905	WHEEL		1	
506 50 48-03	506504803	WASHER		1	
506 59 62-01	506596201	SPACING SLEEVE		1	
506 55 50-01	506555001	TIRE		1	
506 55 48-04	506554804	REAR WHEEL		1	
506 57 43-01	506574301	VALVE ASSY		1	
506 89 90-01	506899001	E-CLIP		1	
506 50 48-01	506504801	WASHER		1	
506 50 46-01	506504601	WEDGE		1	
535 42 00-01	535420001	RIM		1	
506 91 44-01	506914401	WHEEL AXLE		1	
721 43 49-01	721434901	SPRING PIN		1	
506 50 48-05	506504805	WASHER		1	
506 92 30-01	506923001	RUND FOT UKB 30 S		1	
735 31 22-00	735312200	CIRCLIP		1	
535 42 02-01	535420201	RIM		1	
506 83 90-01	506839001	GUN		1	
506 55 51-01	506555101	GUN		1	
535 42 01-01	535420101	RIM		1	

Q Rear 85

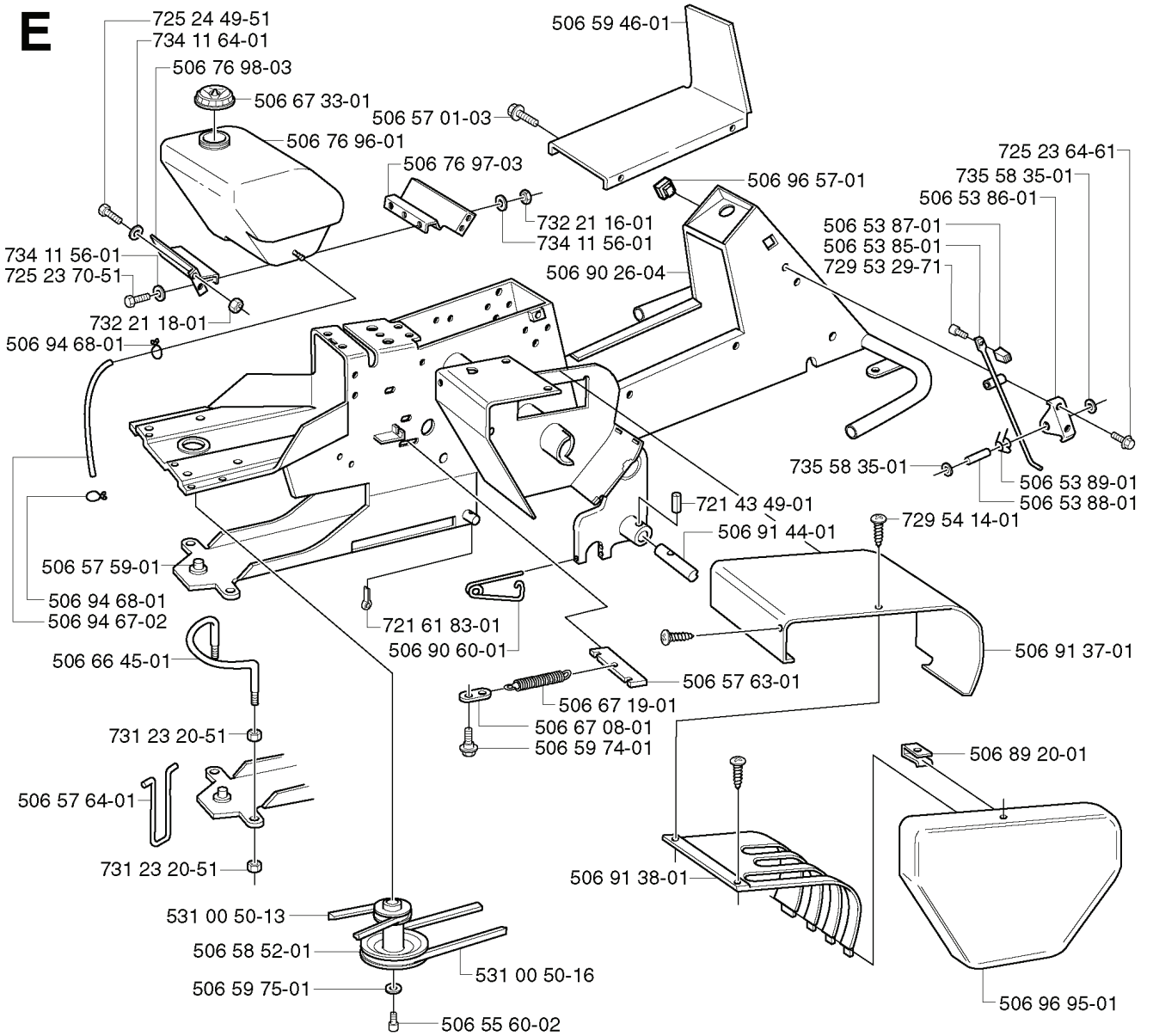
*compl 506 53 34-01 Yttre. Outer. Exterieur. Äusser. Ulko.
 *compl 506 53 34-02 Mitten. Centre. Centre. Zentrum. Keski.



**xxx xx xx-xx = New part,
 Neues teil,
 Nouvelle piece,
 Nueva pieza,
 Ny detalj**

REF.	PART NO.	DESCRIPTION	REMARK	QTY.	KIT
506 53 34-01	506533401	BLADE HOUSING	YTTRE.	1	
506 53 34-02	506533402	BLADE HOUSING	MITTEN.	1	
506 59 70-01	506597001	BELT GUIDE		1	
506 91 18-01	506911801	BRACKET		1	
506 57 01-04	506570104	SCREW EHHFM		1	
732 21 16-01	732211601	LOCK NUT		1	
734 11 53-41	734115341	WASHER		1	
506 66 55-01	506665501	SPRAY GUARD		1	
725 23 68-51	725236851	SCREW		1	
506 64 54-01	506645401	SCREW		1	
506 67 58-01	506675801	BLADE		1	
506 91 16-01	506911601	COVER		1	
506 51 85-02	506518502	SHAFT		1	
531 00 50-16	531005016	BELT		1	
506 51 90-01	506519001	PULLEY		1	
506 67 54-01	506675401	SCREW EHHFM		1	
506 91 17-01	506911701	BRACKET		1	
732 21 18-01	732211801	LOCK NUT		1	
734 11 64-41	734116441	WASHER		1	
506 79 71-01	506797101	SPÄNNARM KPL.		1	
506 53 31-01	506533101	SPRING		1	
725 24 55-51	725245551	SCREW		1	
506 51 84-01	506518401	BEARING HOUSING		1	
506 53 35-01	506533501	PARALLEL KEY		1	
506 51 85-01	506518501	SHAFT		1	
506 51 86-01	506518601	SPACER		1	
738 22 04-19	738220419	BALL BEARING		1	
531 00 50-11	531005011	RIDE ON BLADE		1	
506 53 41-01	506534101	BLADE		1	
506 51 87-01	506518701	DUST COVER		1	
506 91 19-01	506911901	LIFTING HOOK ASSY		1	
506 91 17-02	506911702	BRACKET		1	
506 51 91-01	506519101	PULLEY		1	
734 11 74-41	734117441	WASHER		1	
531 00 50-22	531005022	BELT		1	
506 50 54-01	506505401	SPACER RING		1	
506 79 32-01	506793201	BELT TENSIONER WHEEL		1	
506 55 83-02	506558302	SCREW EHHFT		1	

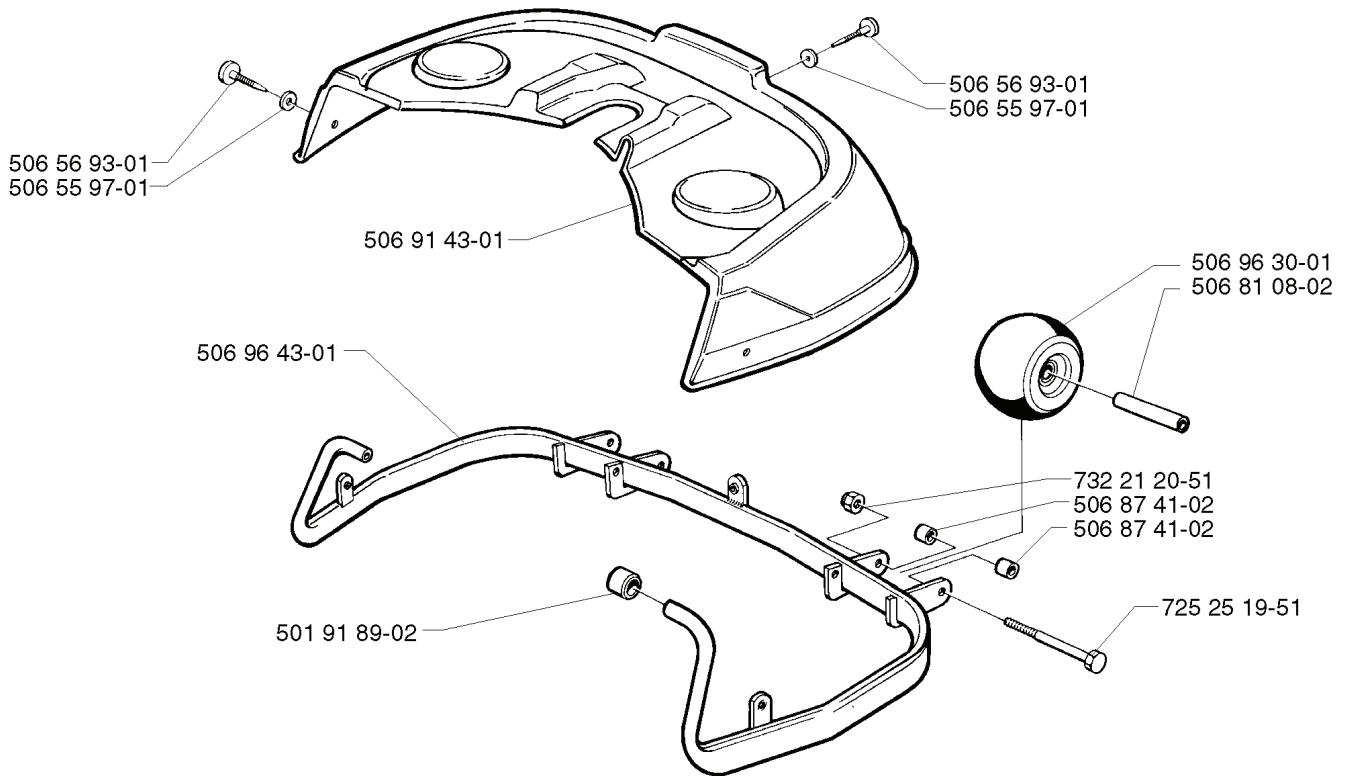
E



REF.	PART NO.	DESCRIPTION	REMARK	QTY.	KIT
734 11 56-01	734115601	WASHER		1	
725 23 70-51	725237051	SCREW		1	
732 21 18-01	732211801	LOCK NUT		1	
506 94 68-01	506946801	TRÅDKLÄMMA		1	
506 57 59-01	506575901	PIVOT		1	
506 94 67-02	506946702	FUEL HOSE		1	
506 66 45-01	506664501	BELT GUIDE		1	
731 23 20-51	731232051	HEXAGON NUT		1	
506 57 64-01	506576401	CABLE HOLDER		1	
531 00 50-13	531005013	BELT		1	
506 58 52-01	506585201	PULLEY		1	
506 59 75-01	506597501	WASHER		1	
506 55 60-02	506556002	SCREW UNC		1	
531 00 50-16	531005016	BELT		1	
506 91 38-01	506913801	CONTROL PLATE		1	
506 59 74-01	506597401	SCREW EHHFM		1	
506 67 08-01	506670801	LINK		1	
506 67 19-01	506671901	SPRING		1	
506 90 60-01	506906001	SAFETY NEEDLE		1	
721 61 83-01	721618301	SPLIT PIN		1	
506 76 96-01	506769601	FUEL TANK		1	
506 67 33-01	506673301	TANK CAP ASSY		1	
506 76 98-03	506769803	BRACKET		1	
734 11 64-01	734116401	WASHER		1	
725 24 49-51	725244951	SCREW		1	
506 57 01-03	506570103	SCREW EHHFM		1	
506 76 97-03	506769703	BRACKET		1	
732 21 16-01	732211601	LOCK NUT		1	
506 90 26-04	506902604	FRAME		1	
721 43 49-01	721434901	SPRING PIN		1	
506 91 44-01	506914401	WHEEL AXLE		1	
506 57 63-01	506576301	SPRING RETAINER		1	
506 96 95-01	506969501	CONTROL CAP		1	
506 89 20-01	506892001	SPEED NUT		1	
506 91 37-01	506913701	COVER PLATE		1	
729 54 14-01	729541401	SCREW CRPANT		1	
506 53 88-01	506538801	SHAFT		1	
506 53 89-01	506538901	SPRING		1	
735 58 35-01	735583501	WASHER		1	
729 53 29-71	729532971	SCREW CRPANT		1	
506 53 85-01	506538501	LOCKING ARM		1	

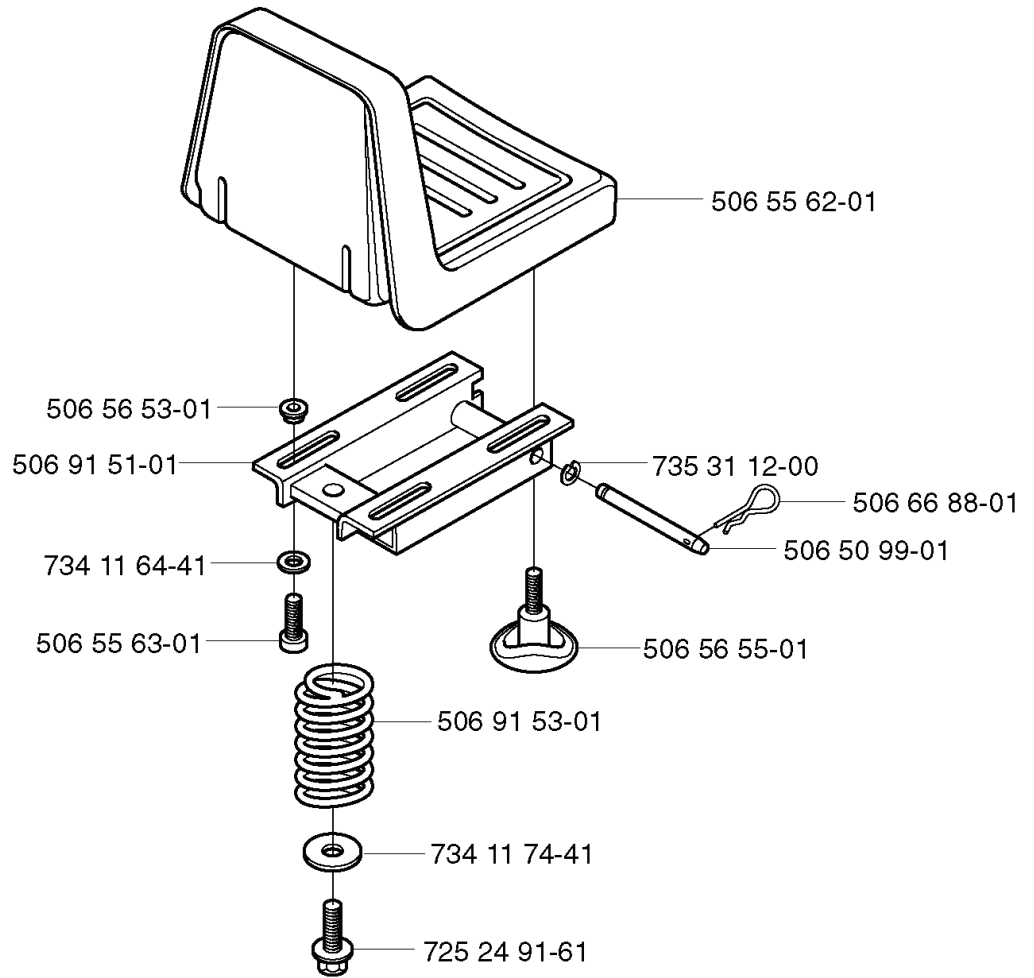
REF.	PART NO.	DESCRIPTION	REMARK	QTY.	KIT
506 53 87-01	506538701	CONTROL BUTTON		1	
506 53 86-01	506538601	BRACKET		1	
725 23 64-61	725236461	SCREW EHHFT		1	
506 96 57-01	506965701	PLUG		1	
506 59 46-01	506594601	LOCK GOLVTUNNEL		1	

C



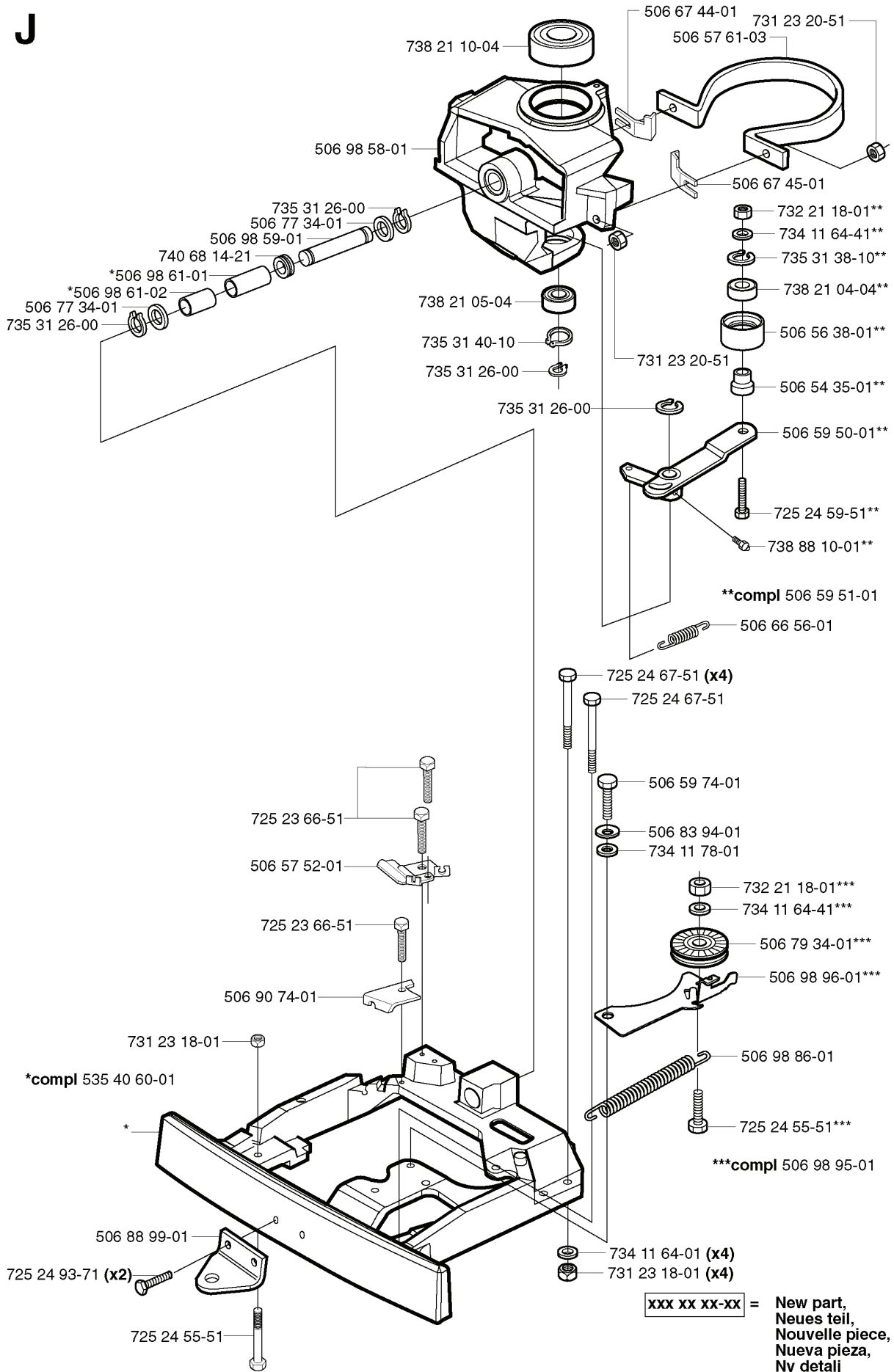
REF.	PART NO.	DESCRIPTION	REMARK	QTY.	KIT
506 56 93-01	506569301	SCREW		1	
506 55 97-01	506559701	WASHER		1	
506 91 43-01	506914301	COVER		1	
506 96 43-01	506964301	PROTECTIVE TUBING		1	
501 91 89-02	501918902	SUPPORT		1	
725 25 19-51	725251951	SCREW EHHM		1	
506 87 41-02	506874102	SPACER		1	
732 21 20-51	732212051	NUT		1	
506 81 08-02	506810802	TUBE		1	
506 96 30-01	506963001	WHEEL ASSY		1	

A



REF.	PART NO.	DESCRIPTION	REMARK	QTY.	KIT
506 56 53-01	506565301	BUSHING		1	
506 91 51-01	506915101	SEAT BRACKET ASSY		1	
734 11 64-41	734116441	WASHER		1	
506 55 63-01	506556301	SCREW UNC		1	
725 24 91-61	725249161	SCREW EHHFT		1	
734 11 74-41	734117441	WASHER		1	
506 91 53-01	506915301	COMPRESSION SPRING		1	
506 56 55-01	506565501	JUSTERVRED		1	
506 50 99-01	506509901	SHAFT		1	
506 66 88-01	506668801	SPRING COTTER		1	
735 31 12-00	735311200	CIRCLIP		1	
506 55 62-01	506556201	SEAT		1	

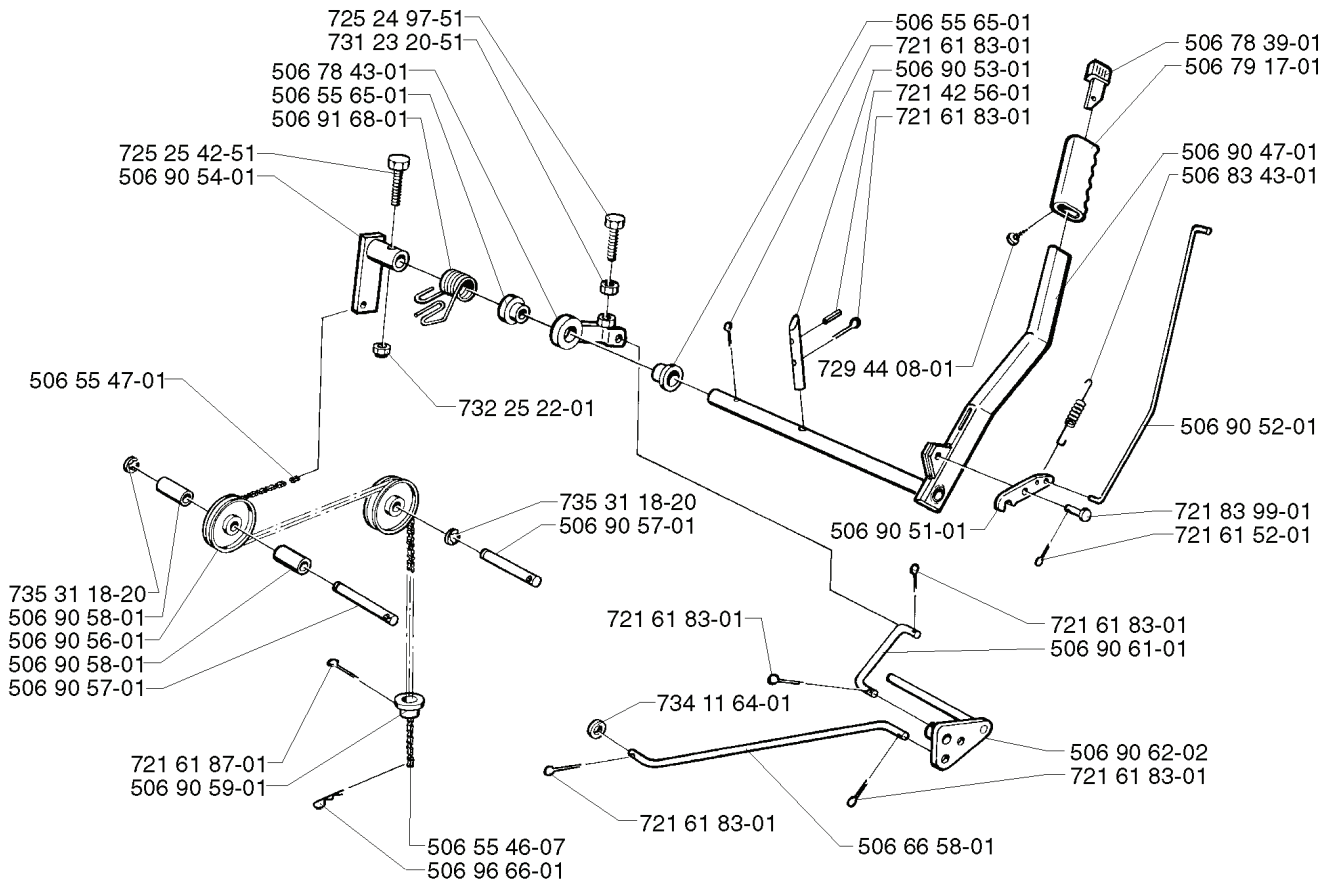
J



REF.	PART NO.	DESCRIPTION	REMARK	QTY.	KIT
738 21 10-04	738211004	BALL BEARING		1	
506 98 58-01	506985801	SPINDLE		1	
735 31 26-00	735312600	CIRCLIP		1	
506 77 34-01	506773401	WASHER		1	
506 98 59-01	506985901	SWING AXLE		1	
740 68 14-21	740681421	V-RING		1	
506 98 61-01	506986101	GLIDLAGER		1	
506 98 61-02	506986102	GLIDLAGER		1	
725 23 66-51	725236651	HEXAGONAL SCREW M6X12		1	
506 57 52-01	506575201	WIRE HOLDER		1	
506 90 74-01	506907401	WIRE HOLDER		1	
731 23 18-01	731231801	HEXAGON NUT		1	
535 40 60-01	535406001	BRACKET		1	
506 88 99-01	506889901	HITCH		1	
725 24 93-71	725249371	SCREW EHHM		2	
734 11 64-01	734116401	WASHER		4	
506 98 95-01	506989501	BELT TENSIONER ASSY		1	
725 24 55-51	725245551	SCREW		1	
506 98 86-01	506988601	SPRING		1	
506 98 96-01	506989601	BELT TENSIONER		1	
506 79 34-01	506793401	BELT TENS WHEEL ASSY		1	
732 21 18-01	732211801	LOCK NUT		1	
734 11 78-01	734117801	WASHER		1	
506 83 94-01	506839401	SPRING WASHER		1	
506 59 74-01	506597401	SCREW EHHFM		1	
725 24 67-51	725246751	SCREW EHHM		4	
506 66 56-01	506665601	SPRING		1	
506 59 51-01	506595101	REMSP. KNIVDRIVNING		1	
738 88 10-01	738881001	LUBRICATION NIPPLE		1	
725 24 59-51	725245951	SCREW EHHM		1	
506 59 50-01	506595001	LEVER		1	
735 31 40-10	735314010	CIRCLIP		1	
738 21 05-04	738210504	BALL BEARING		1	
506 54 35-01	506543501	BUSHING		1	
506 56 38-01	506563801	TENSION ROLLER		1	
738 21 04-04	738210404	BALL BEARING		1	
735 31 38-10	735313810	CIRCLIP		1	
734 11 64-41	734116441	WASHER		1	
506 67 45-01	506674501	BELT GUIDE		1	
506 57 61-03	506576103	STYRKANS		1	
731 23 20-51	731232051	HEXAGON NUT		1	

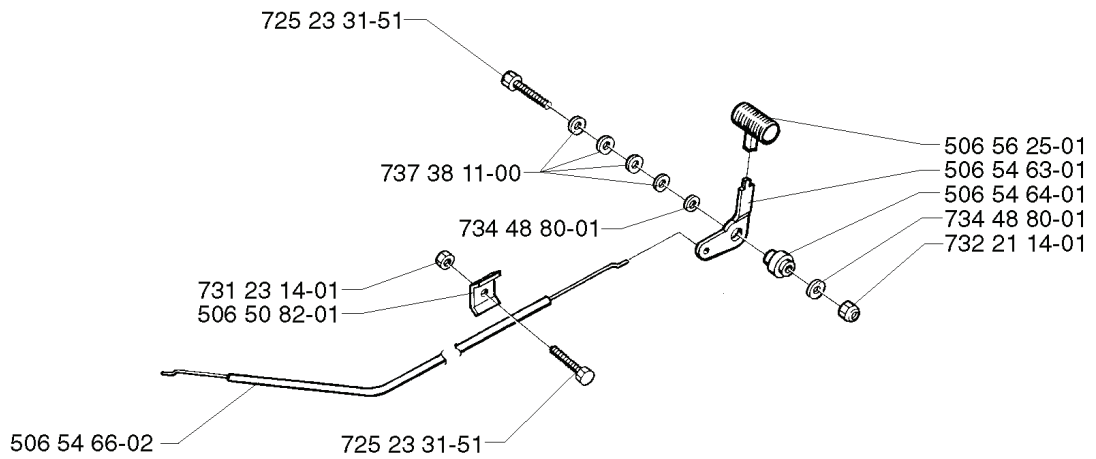
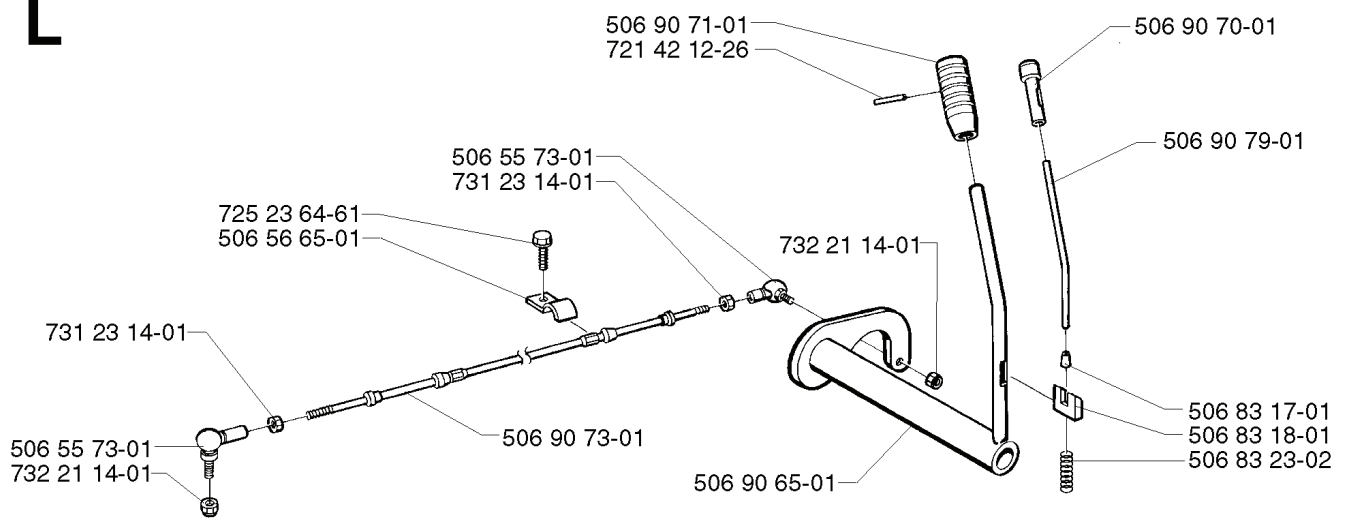
REF.	PART NO.	DESCRIPTION	REMARK	QTY.	KIT
506 67 44- 01	506674401	BELT GUIDE		1	

M



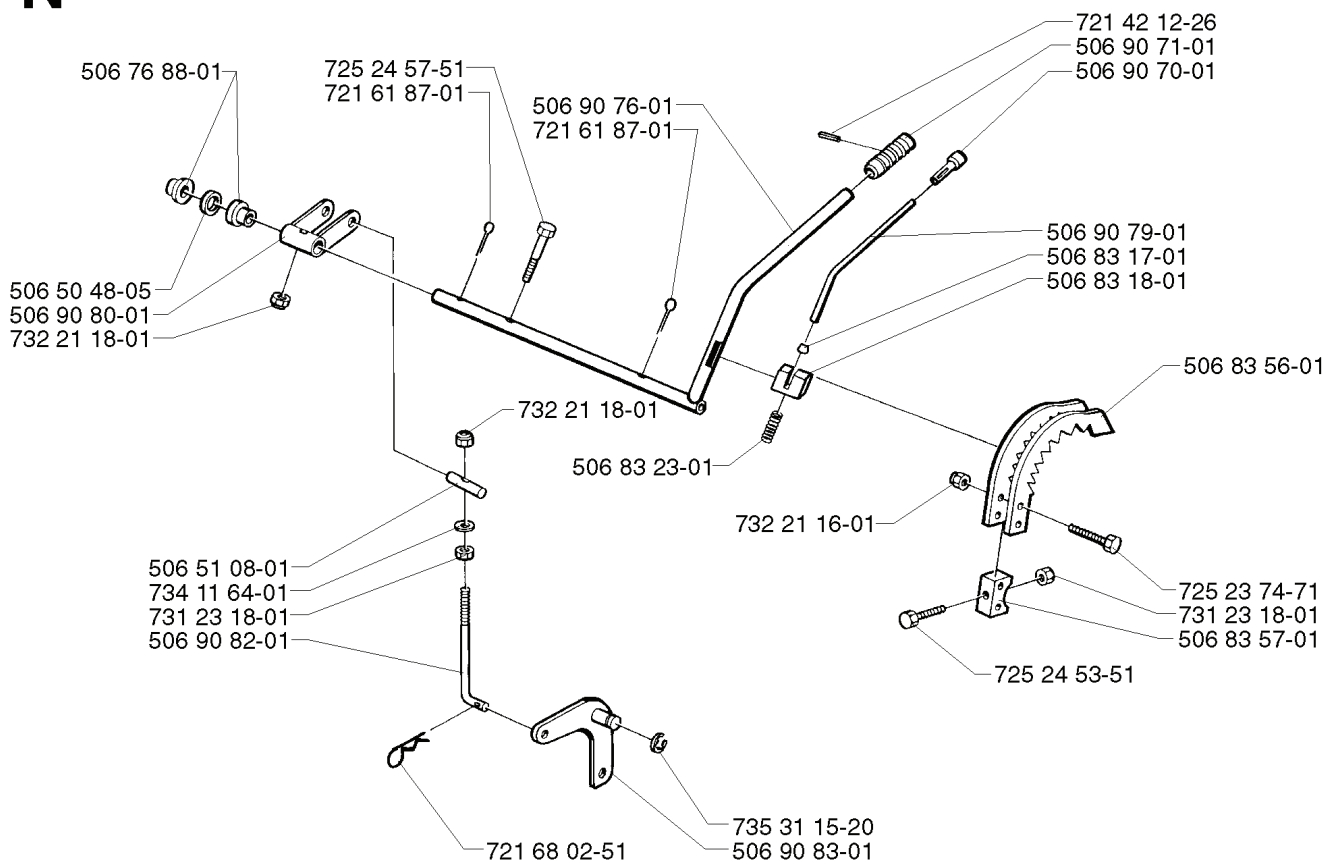
REF.	PART NO.	DESCRIPTION	REMARK	QTY.	KIT
725 24 97-51	725249751	SCREW		1	
731 23 20-51	731232051	HEXAGON NUT		1	
506 78 43-01	506784301	LINK ASSY		1	
506 55 65-01	506556501	BEARING		1	
506 91 68-01	506916801	SPRING		1	
725 25 42-51	725254251	SCREW EHHM		1	
506 90 54-01	506905401	LIFTING ARM		1	
506 55 47-01	506554701	LINKAGE		1	
735 31 18-20	735311820	E-CLIP		1	
506 90 58-01	506905801	TUBE SLEEVE		1	
506 90 56-01	506905601	OFFSET PULLEY		1	
721 61 87-01	721618701	SPLIT PIN		1	
506 90 59-01	506905901	CHAIN STOP		1	
506 55 46-07	506554607	CHAIN		1	
506 96 66-01	506966601	HAIR PIN COTTER		1	
734 11 64-01	734116401	WASHER		1	
506 90 57-01	506905701	SHAFT		1	
732 25 22-01	732252201	HEXAGON LOCKING NUT		1	
506 90 53-01	506905301	PEN		1	
721 42 56-01	721425601	SPRING PIN		1	
721 61 83-01	721618301	SPLIT PIN		1	
729 44 08-01	729440801	SCREW SLCSRT		1	
506 90 51-01	506905101	CATCH		1	
506 66 58-01	506665801	CLUTCH ROD REAR		1	
506 90 62-02	506906202	LINK ASSY		1	
506 90 61-01	506906101	CONNECTION ROD		1	
721 61 52-01	721615201	SPLIT PIN		1	
721 83 99-01	721839901	CLEVIS PIN		1	
506 90 52-01	506905201	PUSH ROD		1	
506 83 43-01	506834301	SPRING		1	
506 90 47-01	506904701	LIFT LEVER CMPL		1	
506 79 17-01	506791701	HANDLE		1	
506 78 39-01	506783901	BUTTON		1	

L



REF.	PART NO.	DESCRIPTION	REMARK	QTY.	KIT
725 23 64-61	725236461	SCREW EHHFT		1	
506 56 65-01	506566501	CLIP		1	
731 23 14-01	731231401	HEXAGON NUT		1	
506 55 73-01	506557301	VINKELLAS8 DIN71802		1	
506 54 66-02	506546602	THROTTLE CABLE ASSY		1	
725 23 31-51	725233151	SCREW		1	
506 50 82-01	506508201	CLIP		1	
737 38 11-00	737381100	DISC SPRING		1	
506 90 73-01	506907301	VÄXELVÄLJARKABEL		1	
506 90 65-01	506906501	GEAR LEVER ASSY		1	
732 21 14-01	732211401	LOCK NUT		1	
721 42 12-26	721421226	SPRING PIN		1	
506 90 71-01	506907101	HANDLE		1	
506 90 70-01	506907001	KNOB		1	
506 90 79-01	506907901	PUSH ROD		1	
506 83 17-01	506831701	END FITTING		1	
506 83 18-01	506831801	LOCK		1	
506 83 23-02	506832302	COMPRESSION SPRING		1	
506 56 25-01	506562501	HANDLE		1	
506 54 63-01	506546301	LEVER THROTTLE CONTR		1	
506 54 64-01	506546401	BUSHING		1	
734 48 80-01	734488001	WASHER		1	

N



REF.	PART NO.	DESCRIPTION	REMARK	QTY.	KIT
506 76 88-01	506768801	BUSHING		1	
506 50 48-05	506504805	WASHER		1	
506 90 80-01	506908001	LEVER		1	
732 21 18-01	732211801	LOCK NUT		1	
506 51 08-01	506510801	NIPPLE		1	
734 11 64-01	734116401	WASHER		1	
506 90 82-01	506908201	HEIGHT ROD		1	
721 68 02-51	721680251	SPRING COTTER		1	
506 90 83-01	506908301	LINK ASSY		1	
735 31 15-20	735311520	E-CLIP		1	
506 83 23-01	506832301	SPRING		1	
725 24 57-51	725245751	SCREW		1	
506 90 76-01	506907601	LIFTING LEVER ASSY		1	
721 61 87-01	721618701	SPLIT PIN		1	
732 21 16-01	732211601	LOCK NUT		1	
725 24 53-51	725245351	SCREW EHHM		1	
506 83 57-01	506835701	BRACKET		1	
731 23 18-01	731231801	HEXAGON NUT		1	
725 23 74-71	725237471	SCREW EHHM		1	
506 83 56-01	506835601	HÖJDSEGMENT		1	
506 83 18-01	506831801	LOCK		1	
506 83 17-01	506831701	END FITTING		1	
506 90 79-01	506907901	PUSH ROD		1	
506 90 70-01	506907001	KNOB		1	
506 90 71-01	506907101	HANDLE		1	
721 42 12-26	721421226	SPRING PIN		1	

S

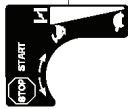
535 43 20-01



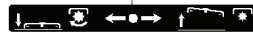
Warning
506 94 48-01



506 84 28-01



506 84 28-03



506 58 45-01



506 94 27-01



506 91 57-01



506 91 57-02



506 94 30-01



506 94 31-02

506 94 30-01

506 94 31-04

506 94 29-02



506 94 29-01

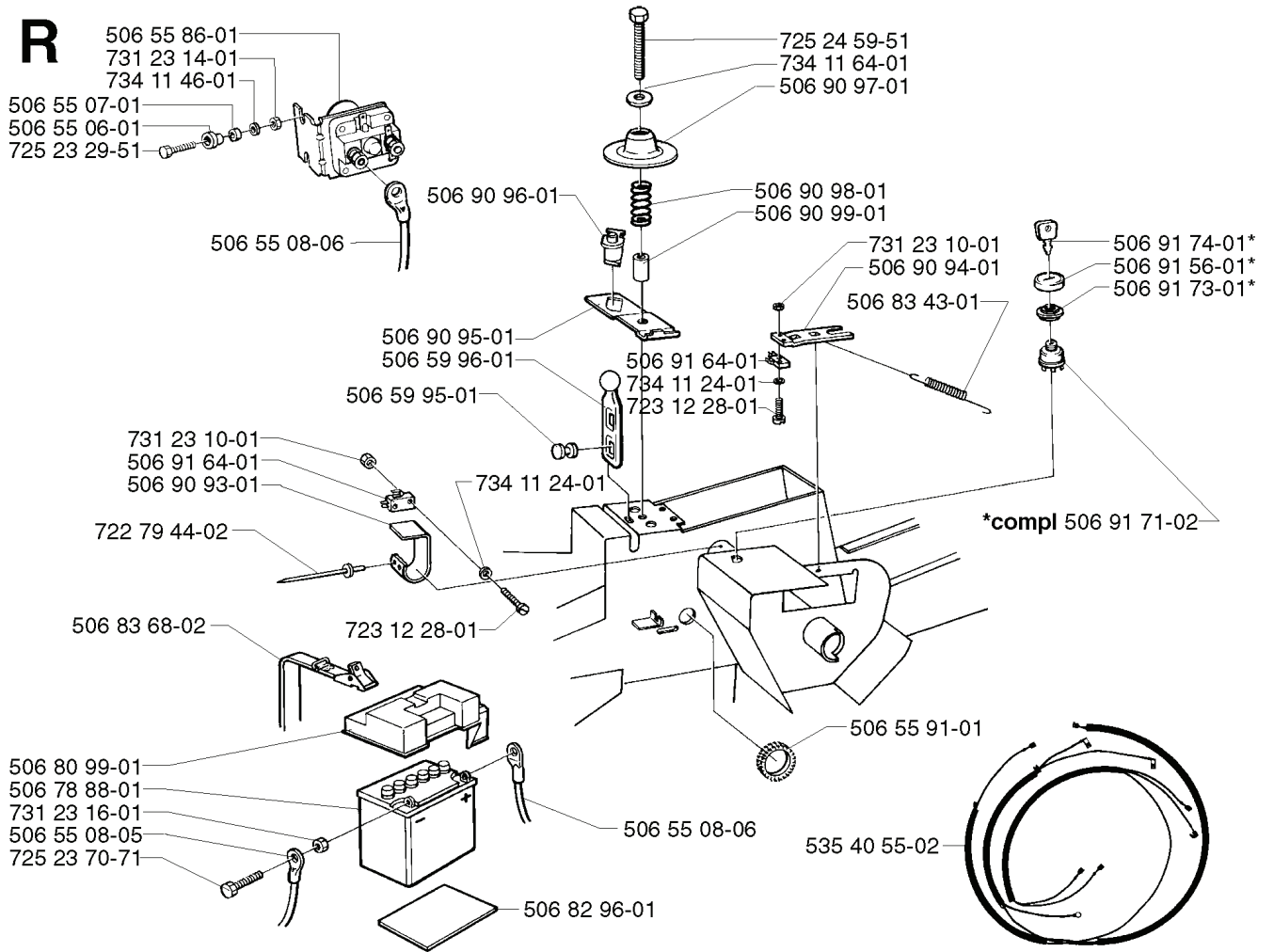
506 94 28-06



506 94 28-05

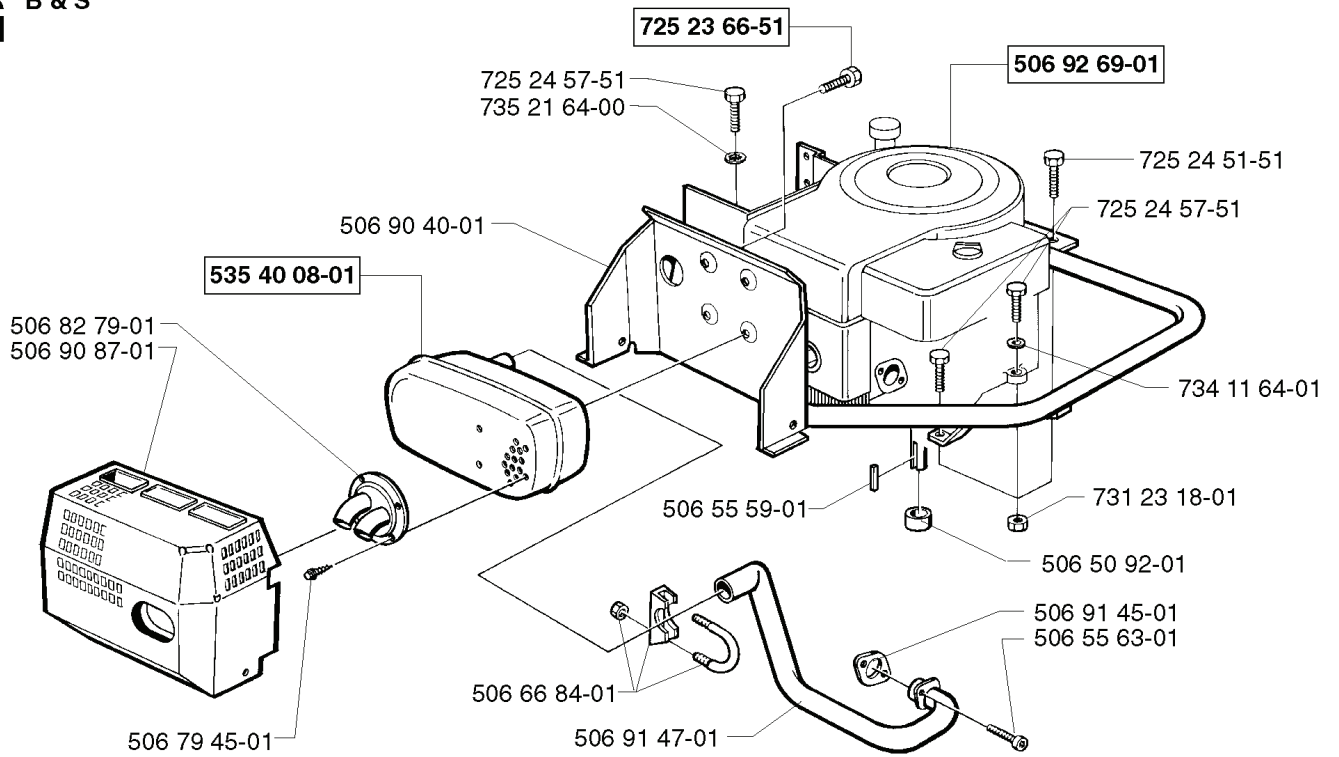
REF.	PART NO.	DESCRIPTION	REMARK	QTY.	KIT
535 43 20-01	535432001	DECAL		1	
506 94 29-02	506942902	VINGAR MOTORKÅPA H.		1	
506 94 28-06	506942806	STRIPES MOTORKÅPA H.		1	
506 94 31-02	506943102	STRIPES FRONTKÅPA H.		1	
506 94 48-01	506944801	LABEL	WARNING	1	
506 84 28-01	506842801	DECAL		1	
506 94 30-01	506943001	DECAL		1	
502 71 36-01	502713601	SPANNER		1	
501 69 17-02	501691702	COMBINATION WRENCH		1	
506 94 27-01	506942701	DECAL		1	
506 58 45-01	506584501	LABEL		1	
506 84 28-03	506842803	DECAL		1	
506 91 57-01	506915701	DECAL		1	
506 91 57-02	506915702	DECAL		1	
506 94 31-04	506943104	STRIPES FRONTKÅPA V.		1	
506 94 29-01	506942901	VINGAR MOTORKÅPA V.		1	
506 94 28-05	506942805	STRIPES MOTORKÅPA V.		1	

R



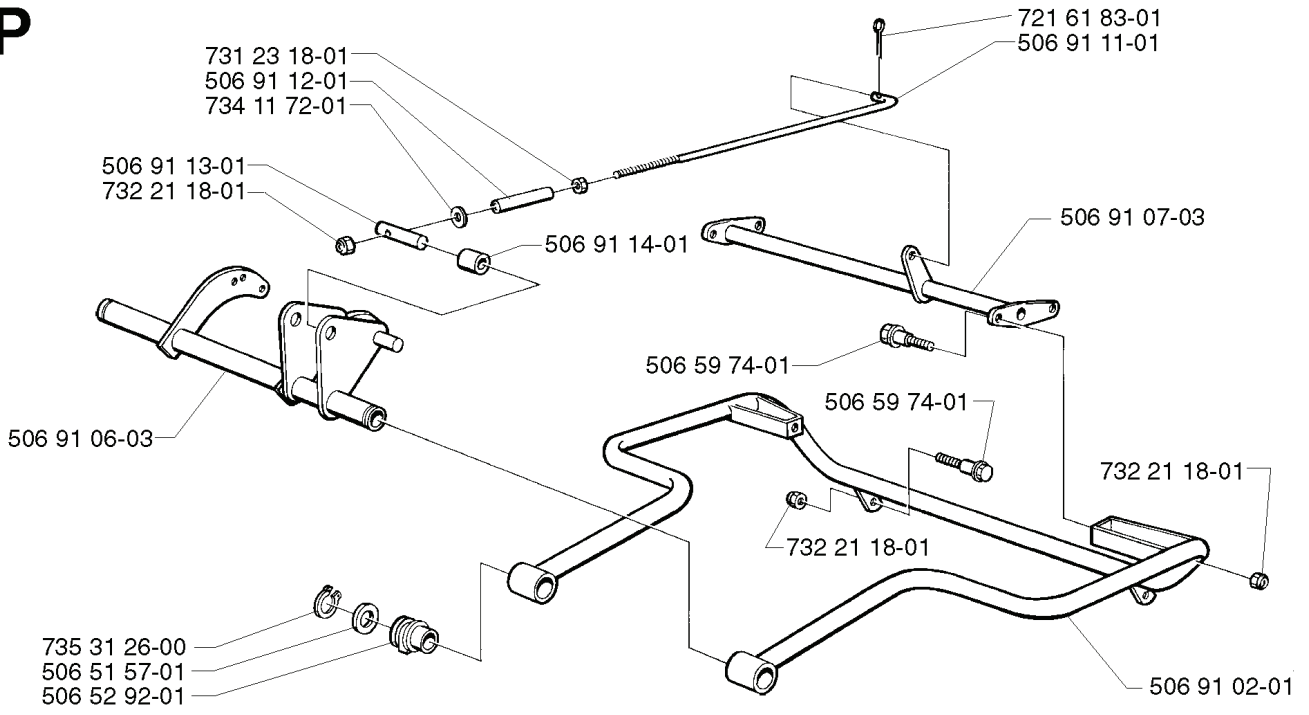
REF.	PART NO.	DESCRIPTION	REMARK	QTY.	KIT
506 55 86-01	506558601	RELAY		1	
731 23 14-01	731231401	HEXAGON NUT		1	
734 11 46-01	734114601	WASHER		1	
506 55 07-01	506550701	INSULATING WASHER		1	
506 55 06-01	506550601	PLUG		1	
725 23 29-51	725232951	SCREW		1	
506 90 96-01	506909601	SWITCH		1	
506 55 08-06	506550806	STARTKABEL BATT-RELÄ		1	
731 23 10-01	731231001	HEXAGON NUT		1	
506 91 64-01	506916401	MICRO SWITCH		1	
506 90 93-01	506909301	PLATE SPRING		1	
722 79 44-02	722794402	RIVET		1	
506 83 68-02	506836802	BELT		1	
506 80 99-01	506809901	BATTERY COVER		1	
506 78 88-01	506788801	BATTERY		1	
731 23 16-01	731231601	HEXAGON NUT		1	
506 55 08-05	506550805	STARTKABEL BATT-JORD		1	
725 23 70-71	725237071	SCREW EHHM		1	
506 82 96-01	506829601	BATTERY MAT		1	
734 11 24-01	734112401	WASHER		1	
506 59 95-01	506599501	BUTTON		1	
506 59 96-01	506599601	GUMMISTROPP		1	
506 90 95-01	506909501	SWITCH ATTACHMENT SE		1	
725 24 59-51	725245951	SCREW EHHM		1	
734 11 64-01	734116401	WASHER		1	
506 90 97-01	506909701	SPRING WASHER		1	
506 90 98-01	506909801	SPRING		1	
506 90 99-01	506909901	SPACING TUBE		1	
723 12 28-01	723122801	SCREW SLCHM		1	
506 55 91-01	506559101	SKAVSKYDD		1	
535 40 55-02	535405502	WIRING		1	
506 91 71-02	506917102	IGNITION LOCK		1	
506 83 43-01	506834301	SPRING		1	
506 90 94-01	506909401	BRACKET		1	
506 91 73-01	506917301	NUT		1	
506 91 56-01	506915601	PROTECTION		1	
506 91 74-01	506917401	KEY		1	

G B & S



REF.	PART NO.	DESCRIPTION	REMARK	QTY.	KIT
535 40 08-01	535400801	MUFFLER ASSY		1	
506 82 79-01	506827901	DEFLECTOR		1	
506 90 87-01	506908701	HEAT PROTECTOR		1	
506 79 45-01	506794501	SCREW		1	
506 91 47-01	506914701	EXHAUST PIPE ASSY		1	
506 66 84-01	506668401	CLAMP ASSY		1	
506 55 59-01	506555901	WEDGE		1	
506 90 40-01	506904001	RÖRBYGEL KPL		1	
735 21 64-00	735216400	LOCKWASHER		1	
725 23 66-51	725236651	HEXAGONAL SCREW M6X12		1	
506 55 63-01	506556301	SCREW UNC		1	
506 91 45-01	506914501	GASKET		1	
506 50 92-01	506509201	SPACING SLEEVE		1	
731 23 18-01	731231801	HEXAGON NUT		1	
734 11 64-01	734116401	WASHER		1	
725 24 57-51	725245751	SCREW		1	
725 24 51-51	725245151	SCREW		1	
506 92 69-01	506926901	MOTOR		1	

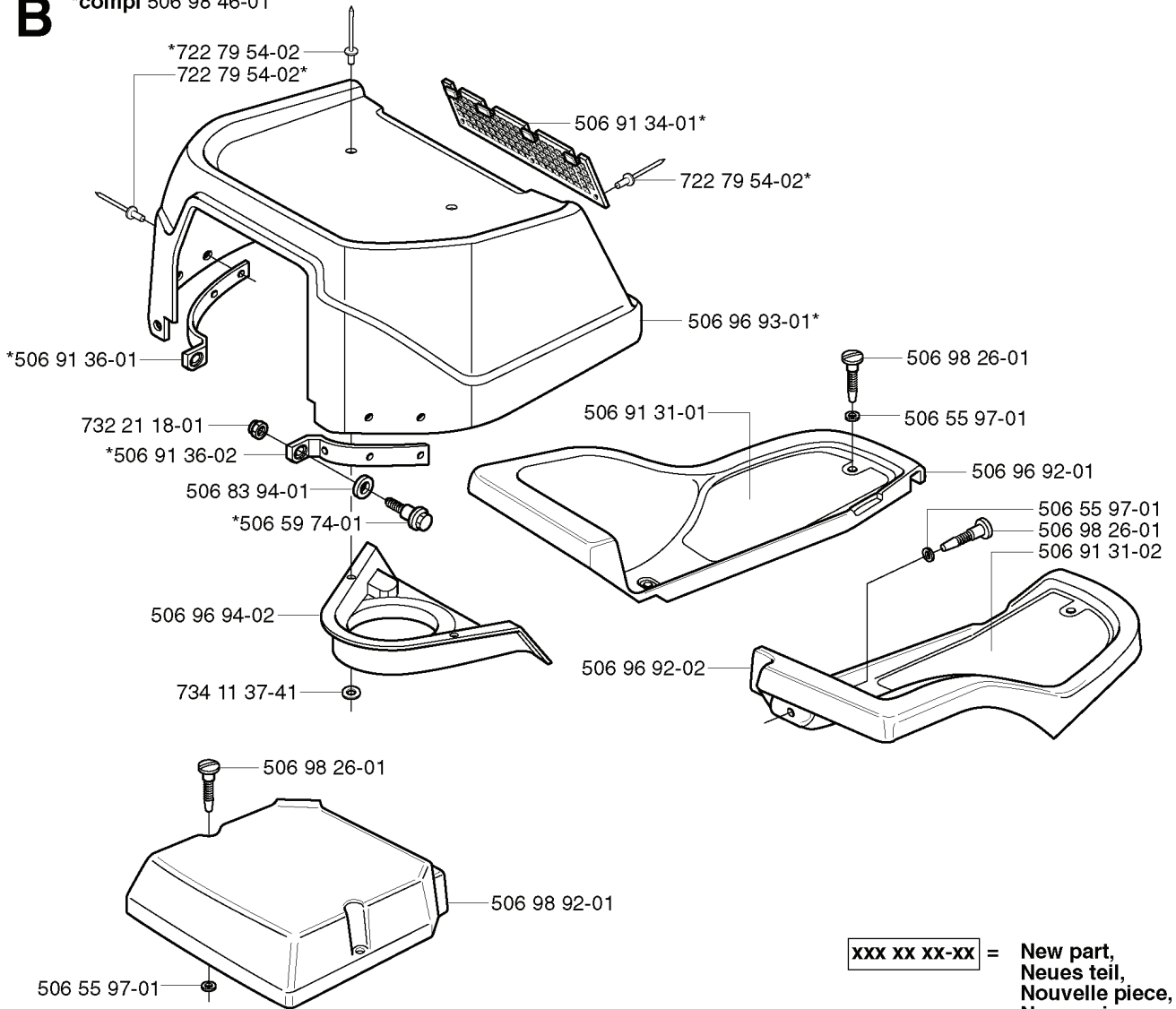
P



REF.	PART NO.	DESCRIPTION	REMARK	QTY.	KIT
731 23 18-01	731231801	HEXAGON NUT		1	
506 91 12-01	506911201	TUBE SLEEVE		1	
734 11 72-01	734117201	WASHER		1	
506 91 13-01	506911301	NIPPLE		1	
506 91 06-03	506910603	LIFTING YOKE		1	
735 31 26-00	735312600	CIRCLIP		1	
506 51 57-01	506515701	WASHER		1	
506 52 92-01	506529201	BEARING SLEEVE		1	
732 21 18-01	732211801	LOCK NUT		1	
506 59 74-01	506597401	SCREW EHHFM		1	
506 91 14-01	506911401	ROLLER		1	
721 61 83-01	721618301	SPLIT PIN		1	
506 91 11-01	506911101	PARALLEL ROD		1	
506 91 07-03	506910703	TVÄRRÖR KPL		1	
506 91 02-01	506910201	WELT FRAME ASSY		1	

B

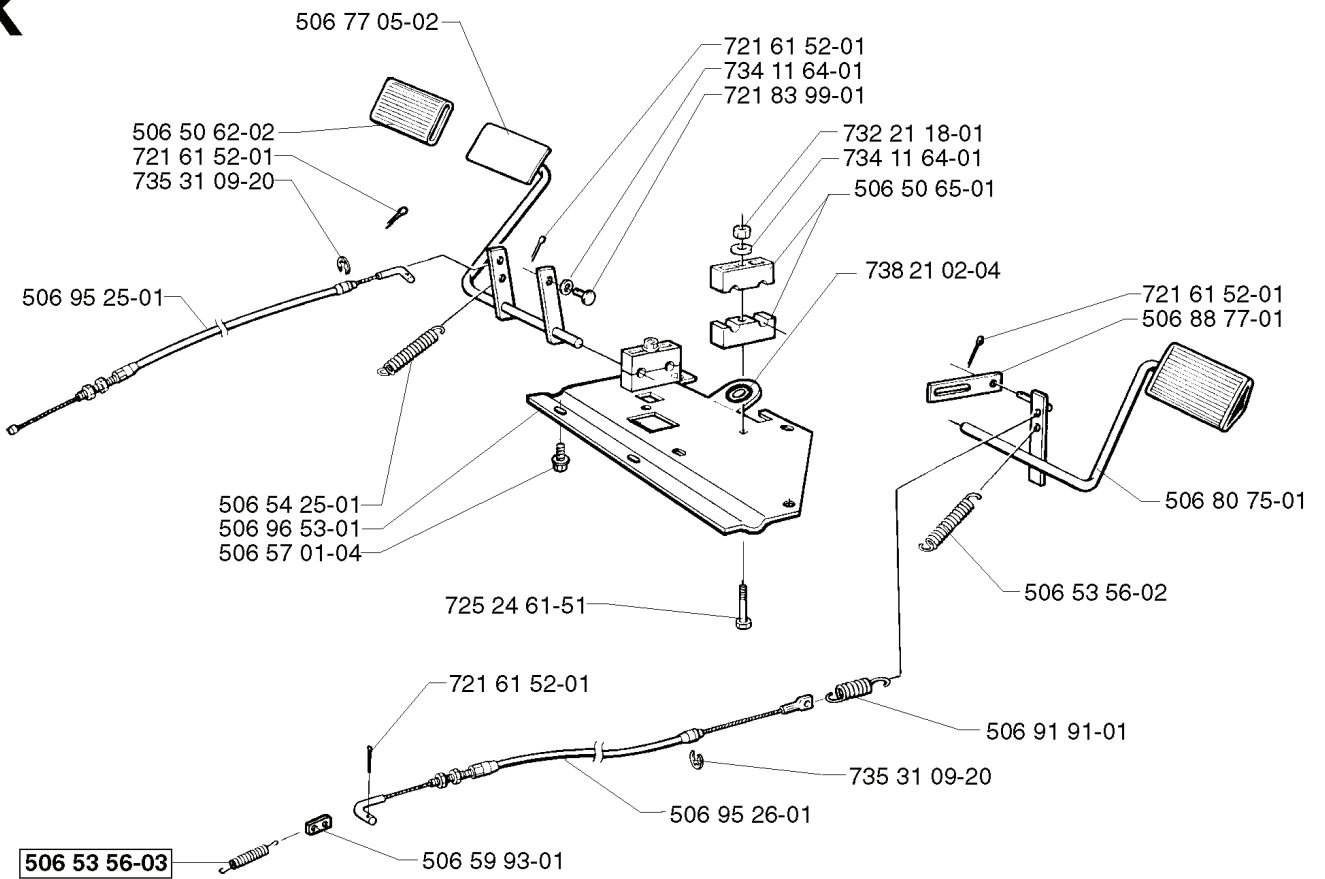
*compl 506 98 46-01



xxx xx xx-xx = New part,
Neues teil,
Nouvelle piece,
Nueva pieza,
Ny detalj

REF.	PART NO.	DESCRIPTION	REMARK	QTY.	KIT
506 98 46-01	506984601	ENGINE HOOD ASSY		1	
506 91 36-01	506913601	BRACKET		1	
732 21 18-01	732211801	LOCK NUT		1	
506 91 36-02	506913602	BRACKET		1	
506 83 94-01	506839401	SPRING WASHER		1	
506 59 74-01	506597401	SCREW EHHFM		1	
506 96 94-02	506969402	AIR CONDUCTOR		1	
734 11 37-41	734113741	WASHER		1	
506 98 92-01	506989201	COVER		1	
506 96 92-02	506969202	FLYGEL HÖ.		1	
506 91 31-01	506913101	FOTMATT A V		1	
506 96 93-01	506969301	MOTOR COVER		1	
722 79 54-02	722795402	RIVET		1	
506 91 34-01	506913401	AIR GRIND		1	
506 96 92-01	506969201	FLYGEL VÅ.		1	
506 55 97-01	506559701	WASHER		1	
506 98 26-01	506982601	SCREW		1	
506 91 31-02	506913102	FOTMATT A H		1	

K



REF.	PART NO.	DESCRIPTION	REMARK	QTY.	KIT
506 77 05-02	506770502	CLUTCH PEDAL ASSY		1	
506 50 62-02	506506202	PEDAL RUBBER		1	
721 61 52-01	721615201	SPLIT PIN		1	
735 31 09-20	735310920	E-CLIP		1	
506 95 25-01	506952501	WIRE ASSY		1	
506 54 25-01	506542501	SPRING		1	
506 96 53-01	506965301	PEDAL PLATE		1	
506 57 01-04	506570104	SCREW EHHFM		1	
506 53 56-03	506535603	DRAW SPRING		1	
506 59 93-01	506599301	LINK		1	
725 24 61-51	725246151	SCREW EHHM		1	
506 95 26-01	506952601	CABLE		1	
506 91 91-01	506919101	BRAKE SPRING		1	
506 53 56-02	506535602	SPRING		1	
506 80 75-01	506807501	BRAKE PEDAL ASSY		1	
506 88 77-01	506887701	LINK		1	
738 21 02-04	738210204	BALL BEARING		1	
506 50 65-01	506506501	BEARING SUPPORT		1	
734 11 64-01	734116401	WASHER		1	
732 21 18-01	732211801	LOCK NUT		1	
721 83 99-01	721839901	CLEVIS PIN		1	