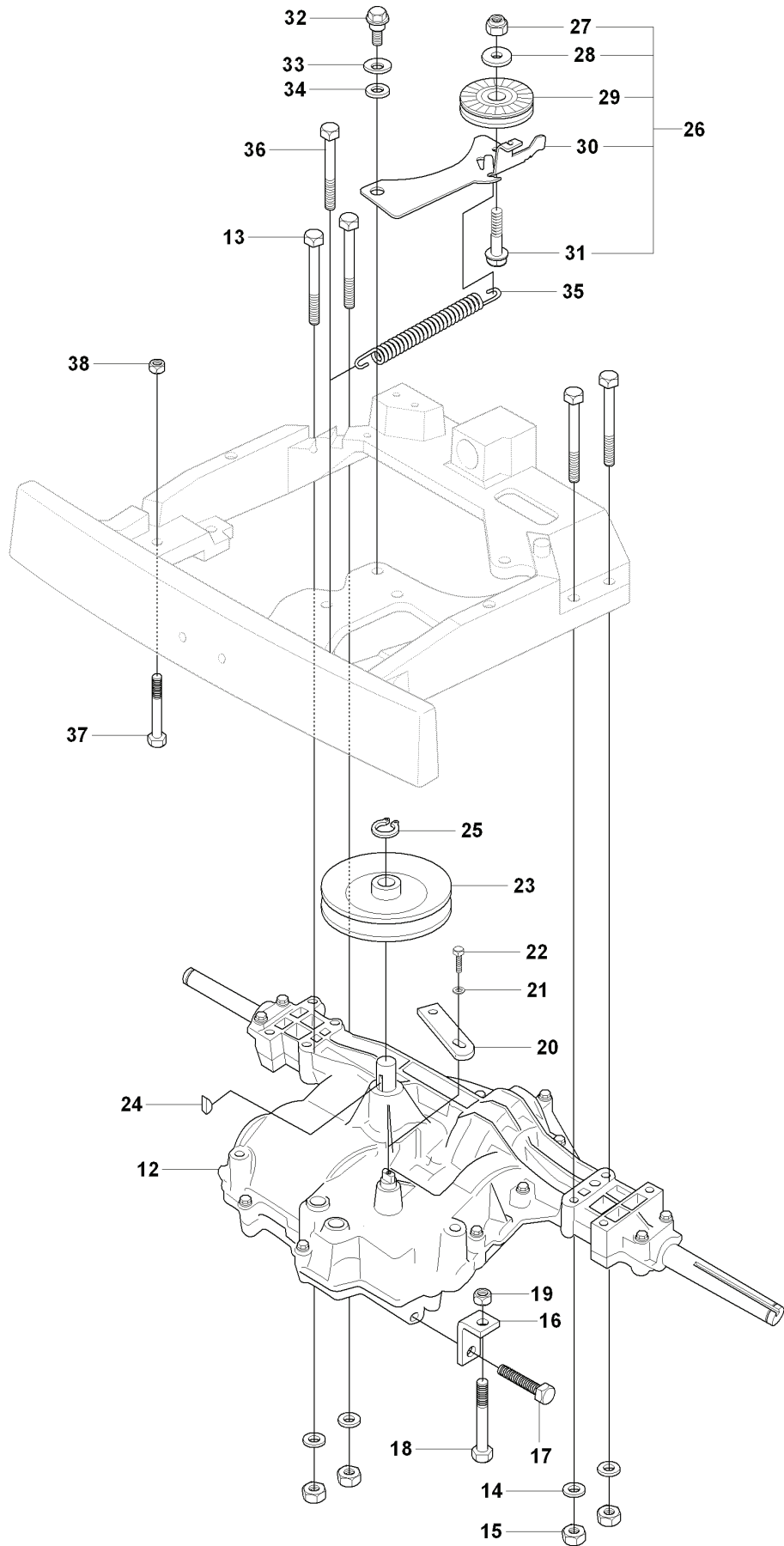


RIDER 11 C, 965094201, 2007-01

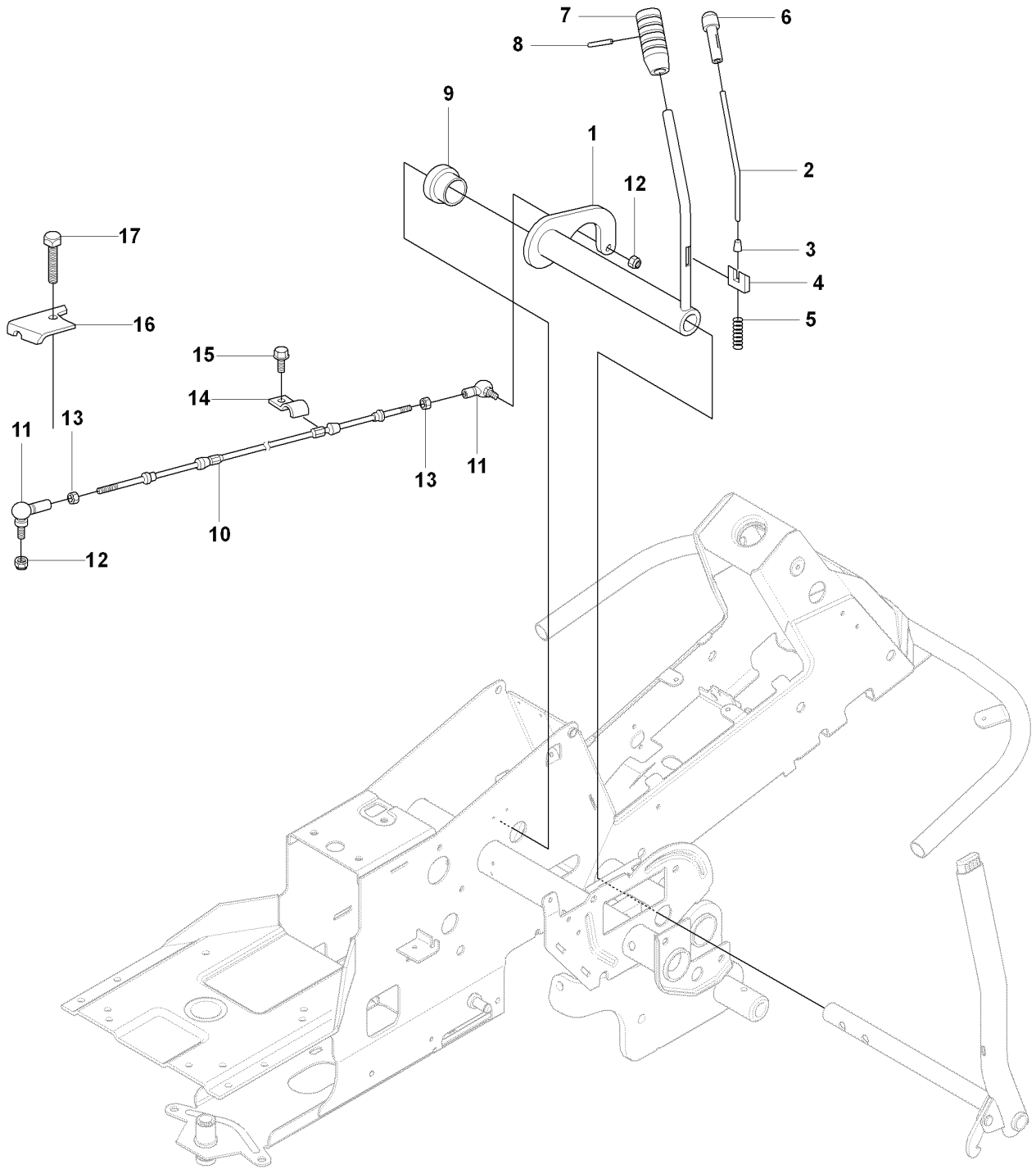
SPARE PARTS LIST

J2 965 09 42-01 RIDER R11C
CHASSIS, REAR



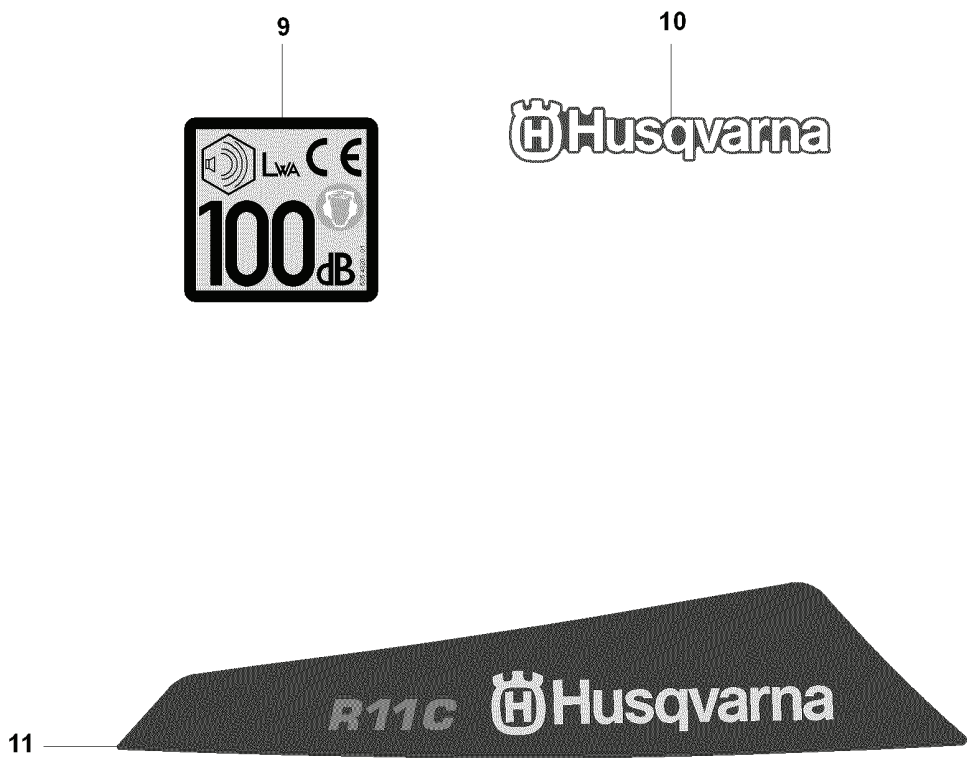
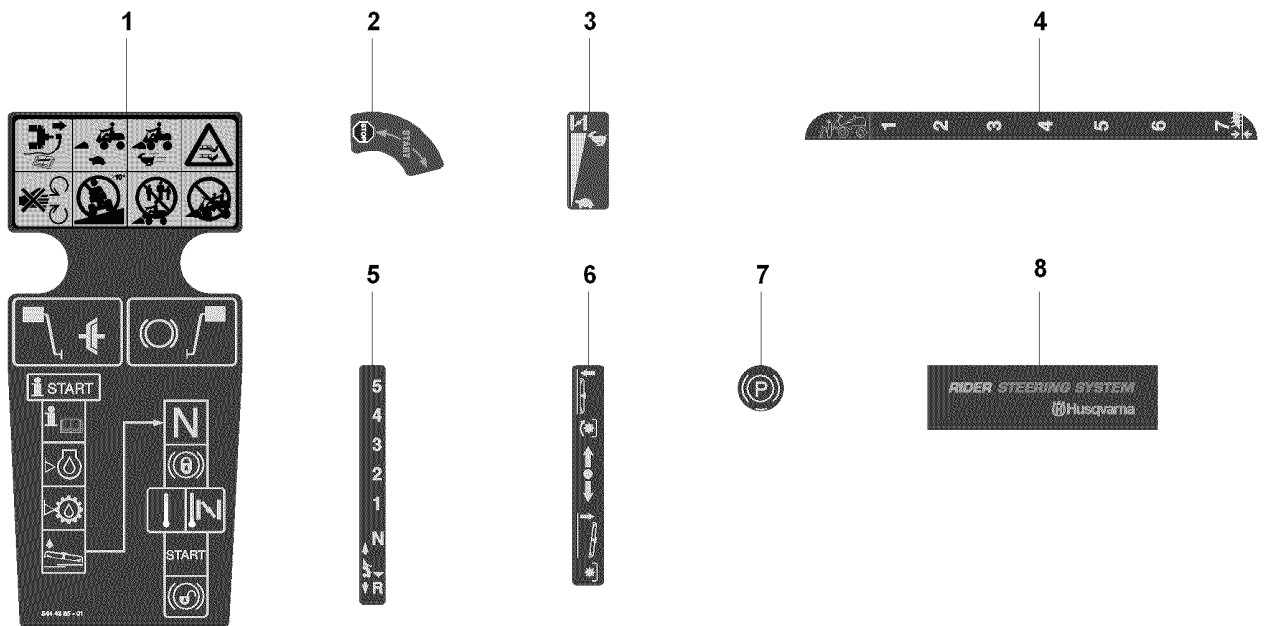
REF.	PART NO.	DESCRIPTION	REMARK	QTY.	KIT
12	506955501	GEAR CASE MST 205		1	
13	725246751	SCREW EHHM		4	
14	734116401	WASHER		4	
15	731231801	HEXAGON NUT		4	
16	506575101	BRACKET		1	
17	506558302	SCREW EHHFT		1	
18	725245551	SCREW		1	
19	731231801	HEXAGON NUT		1	
20	506904501	VÄXELARM		1	
21	734115601	WASHER		1	
22	506557801	U6S-UNF1/4"X28 L=16		1	
23	506509301	PULLEY		1	
24	506509401	WOODRUFF KEY		1	
25	735311800	CIRCLIP		1	
26	506989501	BELT TENSIONER ASSY		1	
27	732211801	LOCK NUT		1	
28	734116441	WASHER		1	
29	506793401	BELT TENS WHEEL ASSY		1	
30	506989601	BELT TENSIONER		1	
31	725245551	SCREW		1	
32	506597401	SCREW EHHFM		1	
33	506839401	SPRING WASHER		1	
34	734117801	WASHER		1	
35	506988601	SPRING		1	
36	725246451	SCREW EHHM		1	
37	725245551	SCREW		1	
38	731231801	HEXAGON NUT		1	

M 965 09 42-01 RIDER R11C
CONTROLS



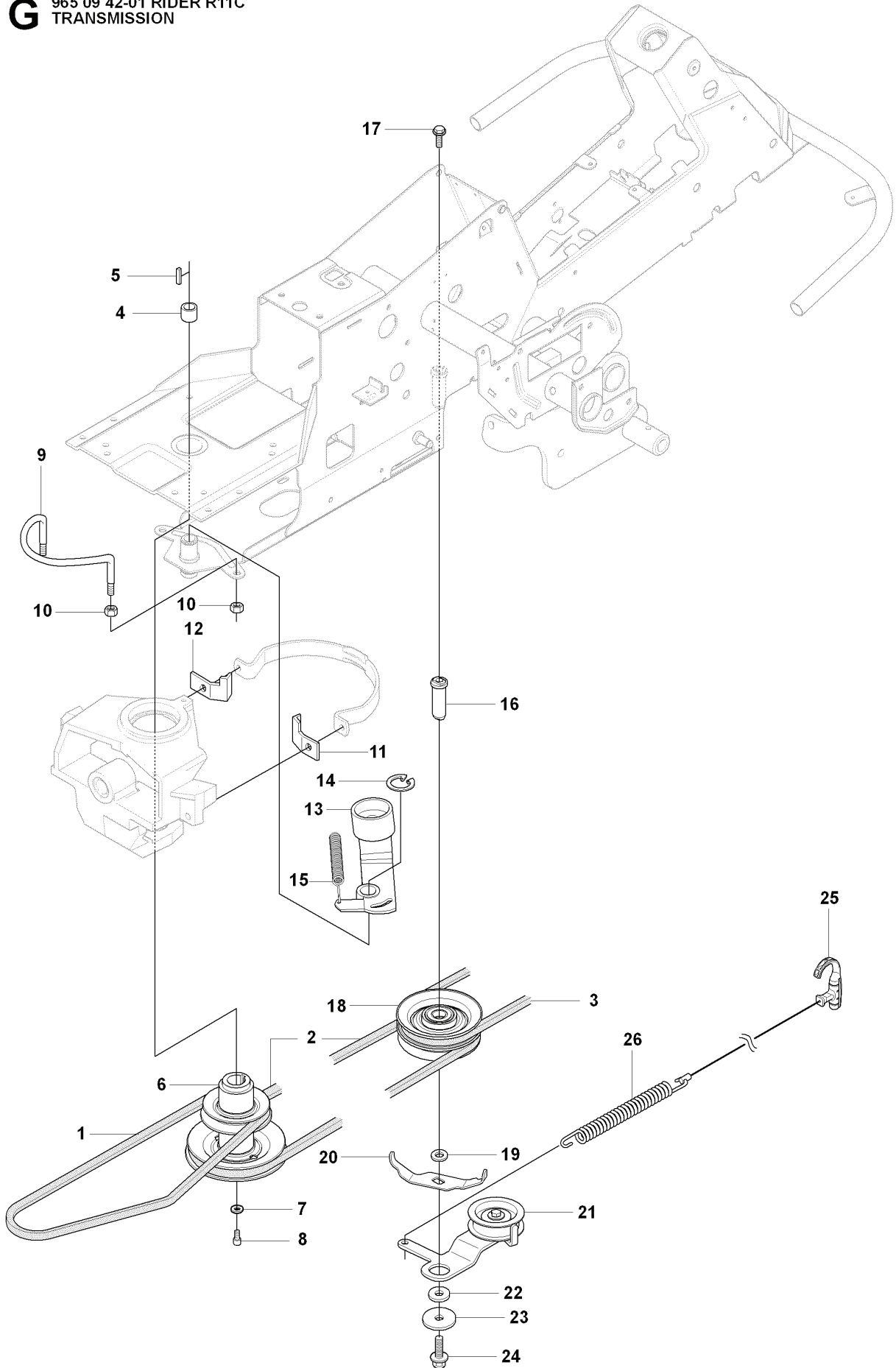
REF.	PART NO.	DESCRIPTION	REMARK	QTY.	KIT
1	506906501	GEAR LEVER ASSY		1	
2	506906901	PUSH ROD		1	
3	506831701	END FITTING		1	
4	506831801	LOCK		1	
5	506832302	COMPRESSION SPRING		1	
6	506907001	KNOB		1	
7	506907101	HANDLE		1	
8	721421226	SPRING PIN		1	
9	506556501	BEARING		1	
10	506907301	VÄXELVÄLJARKABEL		1	
11	506557301	VINKELLAS8 DIN71802		2	
12	732211401	LOCK NUT		2	
13	731231401	HEXAGON NUT		2	
14	506566501	CLIP		1	
15	725236461	SCREW EHHFT		1	
16	506907401	WIRE HOLDER		1	
17	725236651	HEXAGONAL SCREW M6X12		1	

R 965 09 42-01 RIDER R11C
DECALS



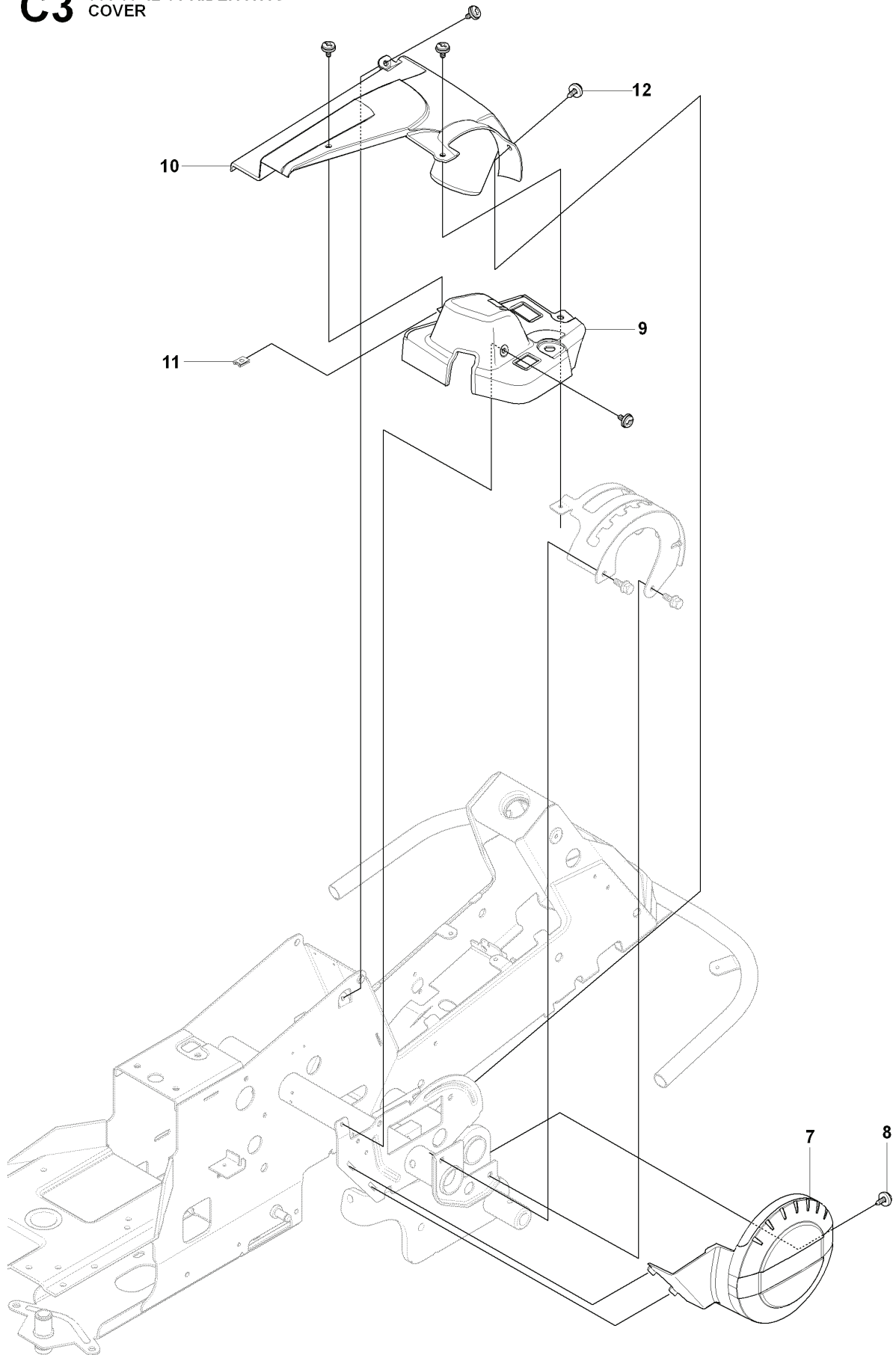
REF.	PART NO.	DESCRIPTION	REMARK	QTY.	KIT
1	544438501	LABEL		1	
2	544438701	LABEL		1	
3	544438801	LABEL		1	
4	544439001	LABEL		1	
5	544439101	LABEL		1	
6	544439201	LABEL		1	
7	506584501	LABEL		1	
8	544833601	LABEL		1	
9	535432001	DECAL		1	
10	544391102	LABEL		1	
11	544439301	LABEL		1	
12	544439302	LABEL		1	

G 965 09 42-01 RIDER R11C
TRANSMISSION

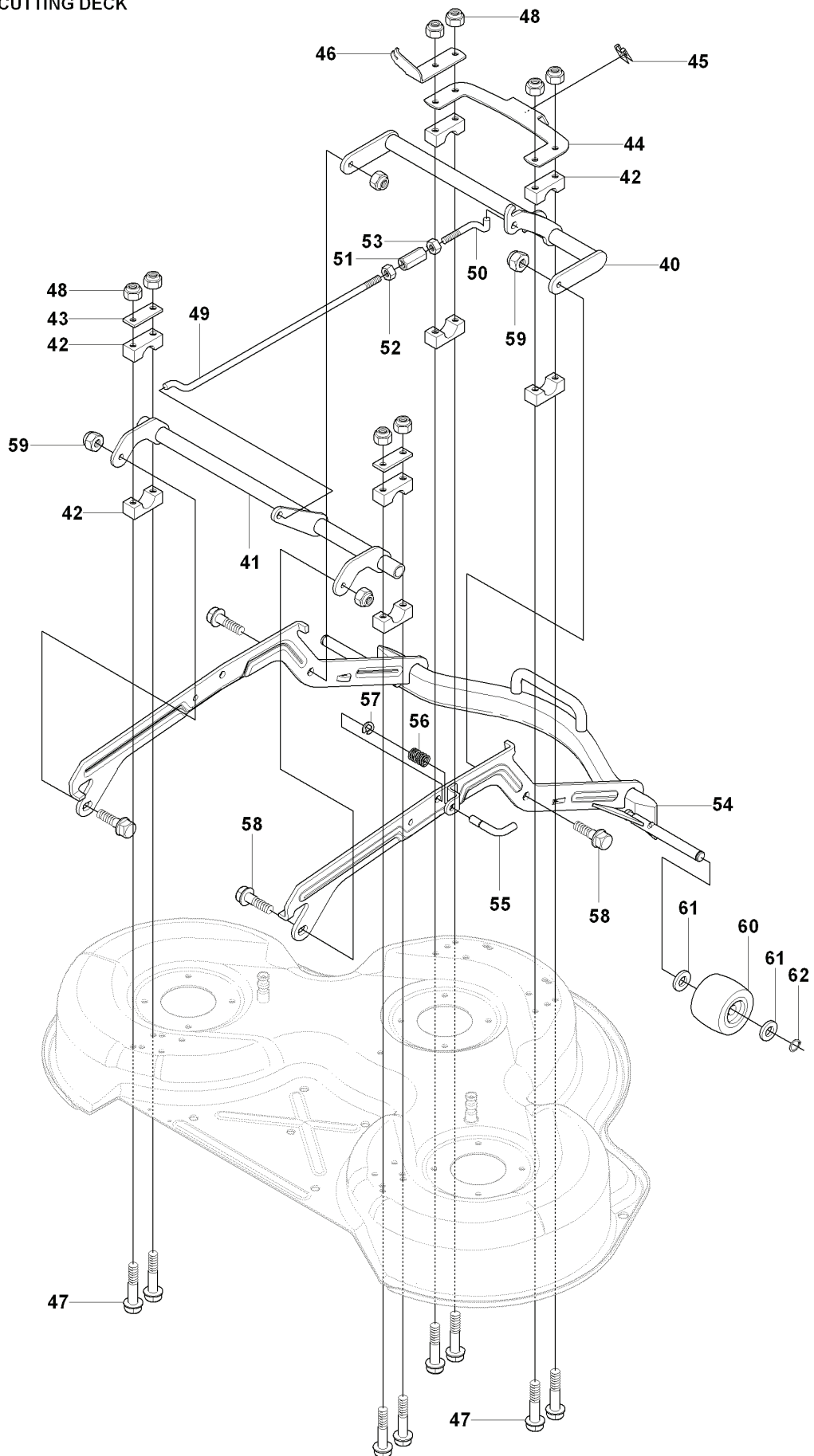


REF.	PART NO.	DESCRIPTION	REMARK	QTY.	KIT
1	506544901	BELT		1	
2	544400201	BELT		1	
3	544238901	BELT		1	
4	506509201	SPACING SLEEVE		1	
5	506555901	WEDGE		1	
6	506585201	PULLEY		1	
7	506597501	WASHER		1	
8	506556002	SCREW UNC		1	
9	506664501	BELT GUIDE		1	
10	731232051	HEXAGON NUT		4	
11	506674401	BELT GUIDE		1	
12	506674501	BELT GUIDE		1	
13	535484401	BELT TENSIONER ASSY		1	
14	735312600	CIRCLIP		1	
15	506665601	SPRING		1	
16	544426101	SHAFT		1	
17	506675401	SCREW EHHFM		1	
18	535482201	PULLEY		1	
19	506775701	WASHER		1	
20	544405301	BELT GUIDE		1	
21	544228101	BELT TENSIONER ASSY		1	
22	506597501	WASHER		1	
23	506982501	WASHER		1	
24	506570105	SCREW EHHFM		1	
25	544239501	HANDLE ASSY		1	
26	544238801	SPRING		1	

C3 965 09 42-01 RIDER R11C
COVER



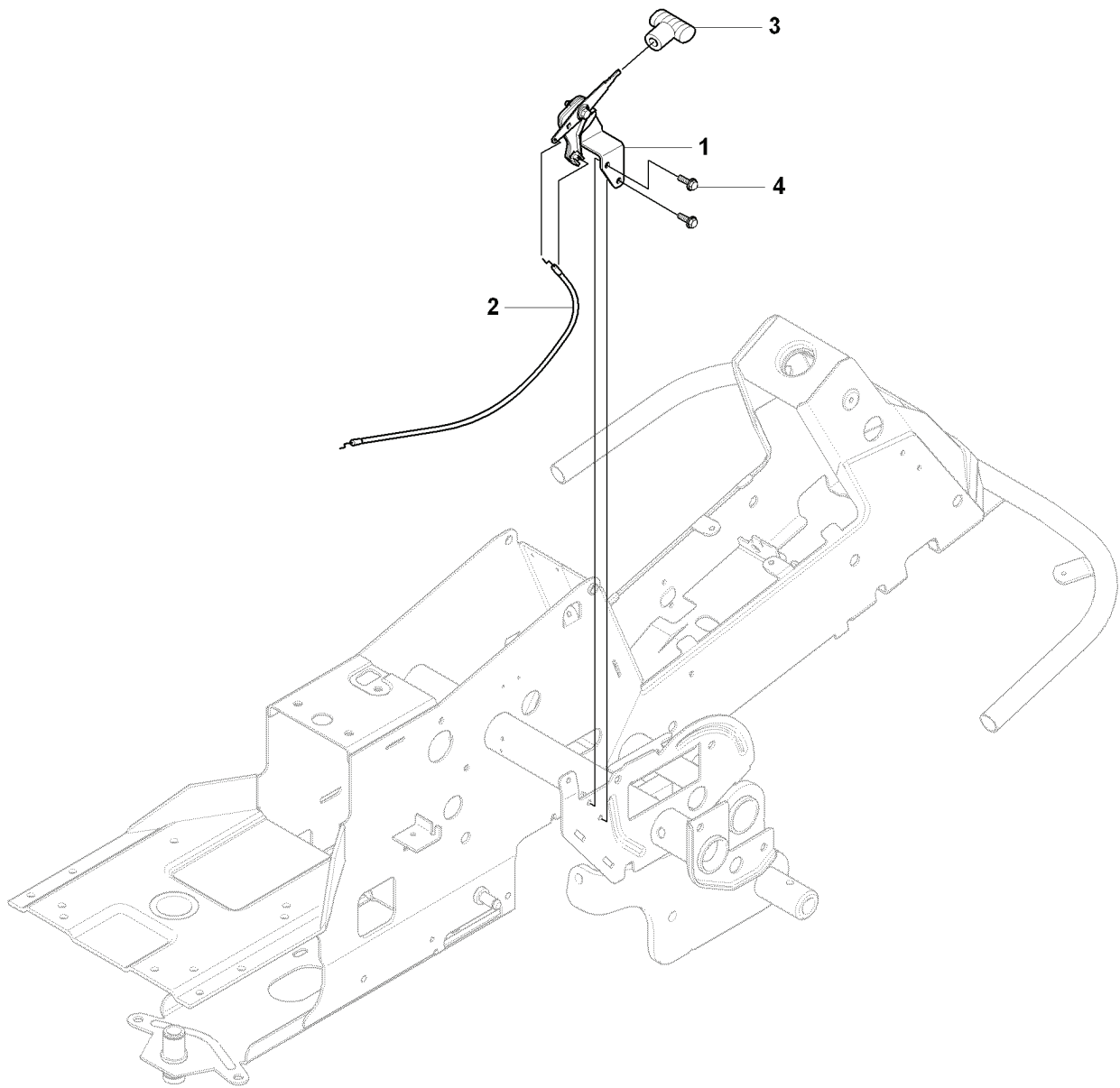
T1 965 09 42-01 RIDER R11C
CUTTING DECK



REF.	PART NO.	DESCRIPTION	REMARK	QTY.	KIT
40	544220701	CROSS BAR		1	
41	544225901	CROSS BAR		1	
42	506869601	BEARING		8	
43	506813801	REINFORCING PLATE		2	
44	544379101	BRACKET		1	
45	506963701	LÁSDON		1	
46	544228301	BRACKET		1	
47	725246151	SCREW EHHM		8	
48	732211801	LOCK NUT		8	
49	544226901	PARALLEL ROD		1	
50	544451401	PARALLEL ROD		1	
51	544451501	ADJUSTMENT ROD		1	
52	506897601	NUT		1	
53	731232051	HEXAGON NUT		1	
54	544213301	DECK ATTACHMENT		1	
55	544213901	LOCKING PIN		1	
56	544214101	SPRING		1	
57	735311320	E-CLIP		1	
58	506597401	SCREW EHHFM		4	
59	732211801	LOCK NUT		4	
60	506963001	WHEEL ASSY		2	
61	535464101	WASHER		4	
62	735311700	CIRCLIP		2	

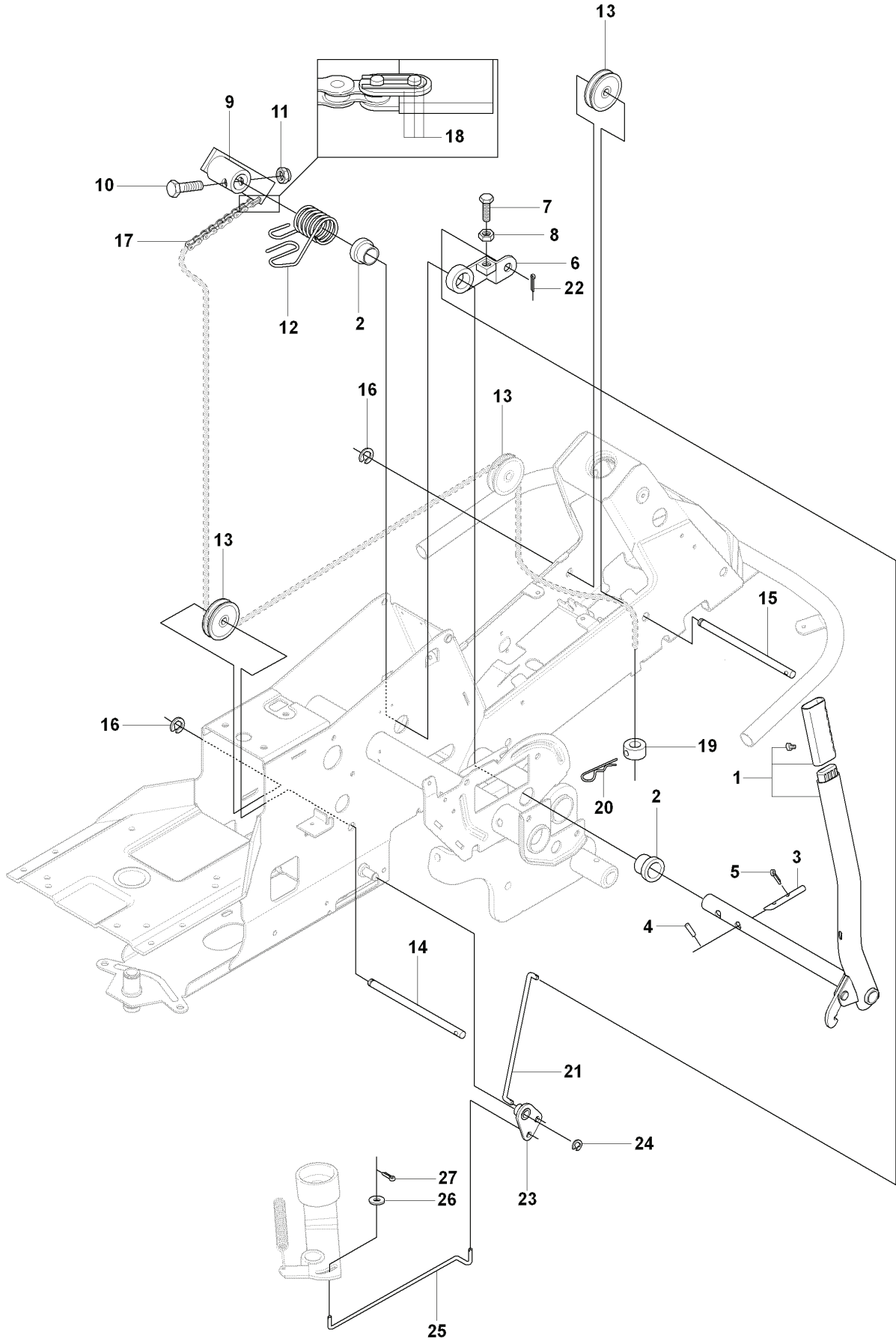
REF.	PART NO.	DESCRIPTION	REMARK	QTY.	KIT
1	506788801	BATTERY		1	
2	535441101	BATTERY MAT		1	
3	506809901	BATTERY COVER		1	
4	506836802	BELT		1	
5	725237071	SCREW EHHM		1	
6	731231601	HEXAGON NUT		1	
7	725236461	SCREW EHHFT		1	
8	506899801	NUT		1	
9	544967601	CABLE		1	
10	544442101	IGNITION SWITCH		1	
11	544442201	IGNITION SWITCH		1	
12	544442301	NUT		1	
13	544442401	IGNITION KEY		1	
14	544926001	WIRING		1	
15	544928601	CABLE		1	
16	544926101	CABLE		1	
17	544439801	RELAY		1	
18	506899801	NUT		2	
19	506909301	PLATE SPRING		1	
20	722783902	BLIND RIVET		2	
21	535469101	SWITCH		1	
22	544440701	RIVET		2	
23	506909401	BRACKET		1	
24	535469101	SWITCH		1	
25	544440701	RIVET		2	
26	506834301	SPRING		2	
27	506909601	SWITCH		1	
28	506909701	SPRING WASHER		1	
29	544441201	SPRING		1	
30	506909902	SPACING TUBE		1	
31	725246051	SCREW EHHM		1	
32	734116401	WASHER		1	

L 965 09 42-01 RIDER R11C
CONTROLS



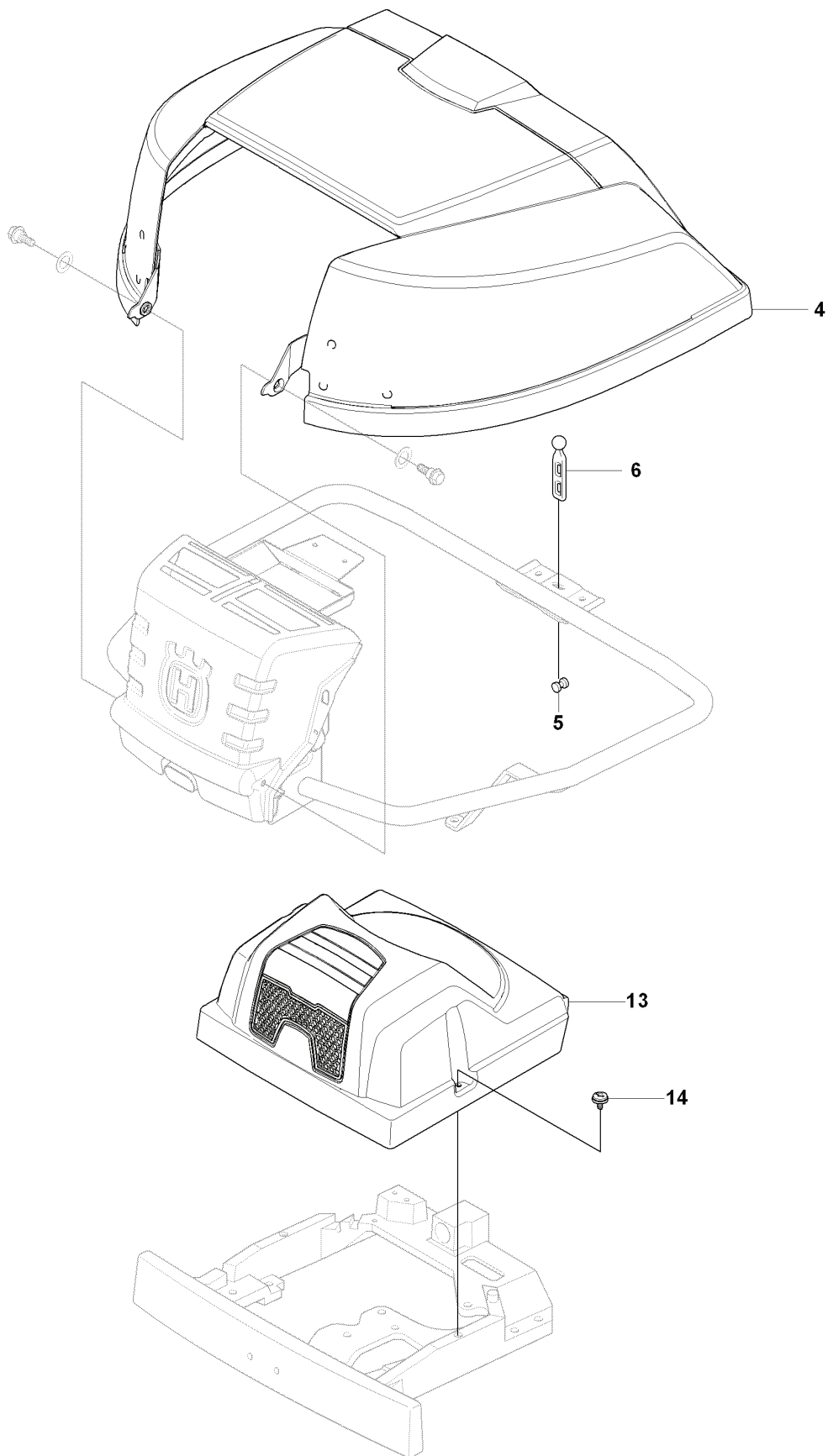
REF.	PART NO.	DESCRIPTION	REMARK	QTY.	KIT
1	544301501	THROTTLE CONTROL ASSY		1	
2	544301701	WIRE		1	
3	506889101	KNOB		1	
4	725236861	SCREW EHHFT		2	

E 965 09 42-01 RIDER R11C
MOWER LIFT



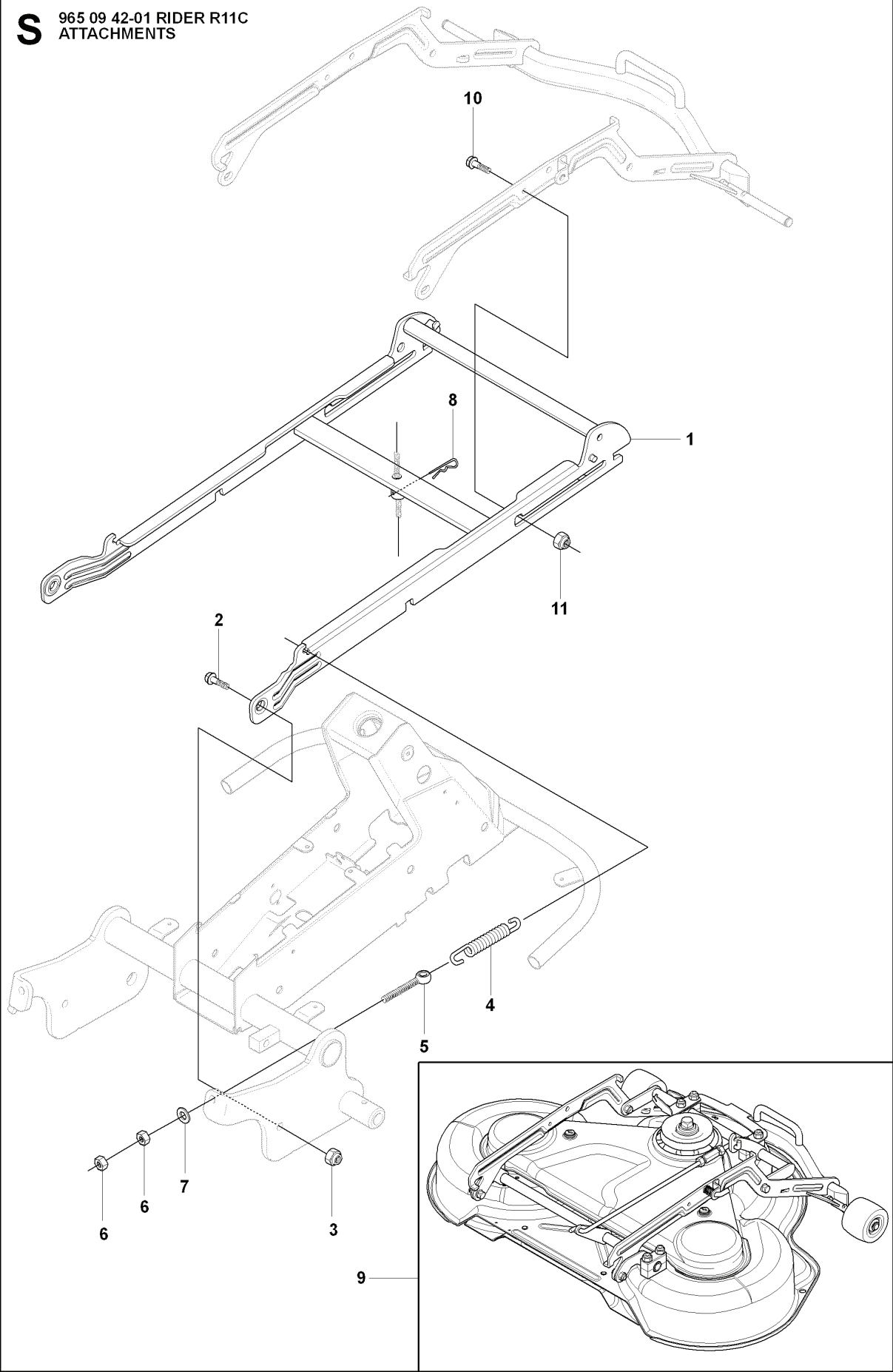
REF.	PART NO.	DESCRIPTION	REMARK	QTY.	KIT
1	501018601	LIFTING LEVER ASSY		1	
2	506556501	BEARING		2	
3	506905301	PEN		1	
4	721125930	GROOVED PIN		1	
5	721618301	SPLIT PIN		1	
6	506784301	LINK ASSY		1	
7	725249751	SCREW		1	
8	731232051	HEXAGON NUT		1	
9	544433601	LIFTING ARM		1	
10	725254251	SCREW EHHM		1	
11	732252201	HEXAGON LOCKING NUT		1	
12	506916801	SPRING		1	
13	506905601	OFFSET PULLEY		2	
14	506905701	SHAFT		1	
15	506905702	SHAFT		1	
16	735311820	E-CLIP		2	
17	506554607	CHAIN		1	
18	506554701	LINKAGE		1	
19	544934201	CHAIN STOP		1	
20	506966601	HAIR PIN COTTER		1	
21	544456901	CONNECTION ROD		1	
22	721618301	SPLIT PIN		1	
23	544378601	LINK		1	
24	735311420	E-CLIP		1	
25	544448801	CONNECTION ROD		1	
26	734116441	WASHER		1	
27	721618301	SPLIT PIN		1	

C1 965 09 42-01 RIDER R11C
COVER



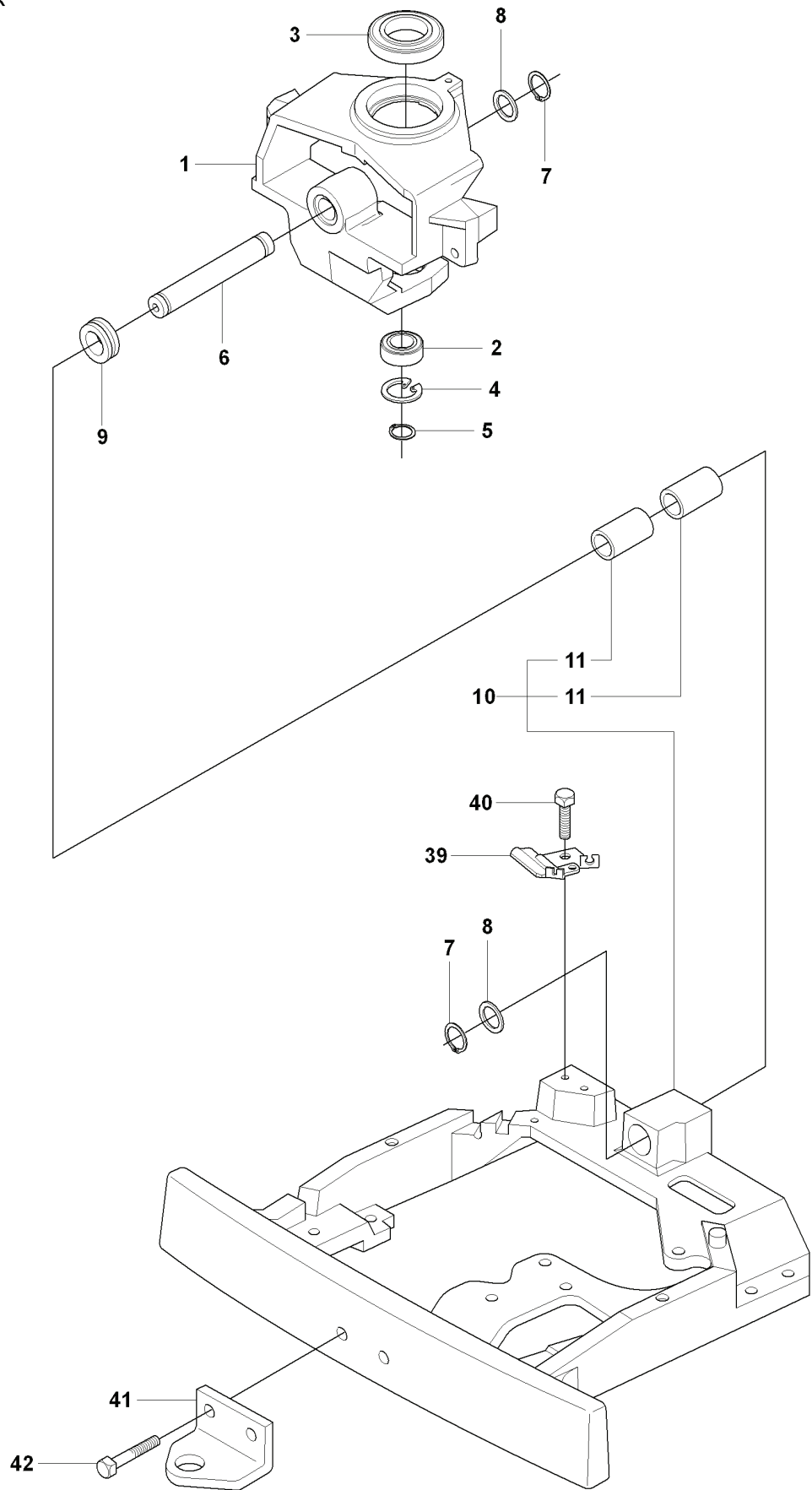
REF.	PART NO.	DESCRIPTION	REMARK	QTY.	KIT
4	544247601	ENGINE HOOD ASSY		1	
5	506599501	BUTTON		1	
6	506599601	GUMMISTROPP		1	
13	544373901	COVER		1	
14	544400501	SCREW		2	

S 965 09 42-01 RIDER R11C
ATTACHMENTS



REF.	PART NO.	DESCRIPTION	REMARK	QTY.	KIT
1	544212701	EQUIPMENT FRAME		1	
2	506895801	COLLAR SCREW		2	
3	732252201	HEXAGON LOCKING NUT		2	
4	506837601	SPRING		2	
5	506837701	RING BOLT		2	
6	731232051	HEXAGON NUT		4	
7	734117201	WASHER		2	
8	506966601	HAIR PIN COTTER		1	
9	544437901	CUTTING DECK		1	
10	544362401	SCREW		2	
11	732211801	LOCK NUT		2	

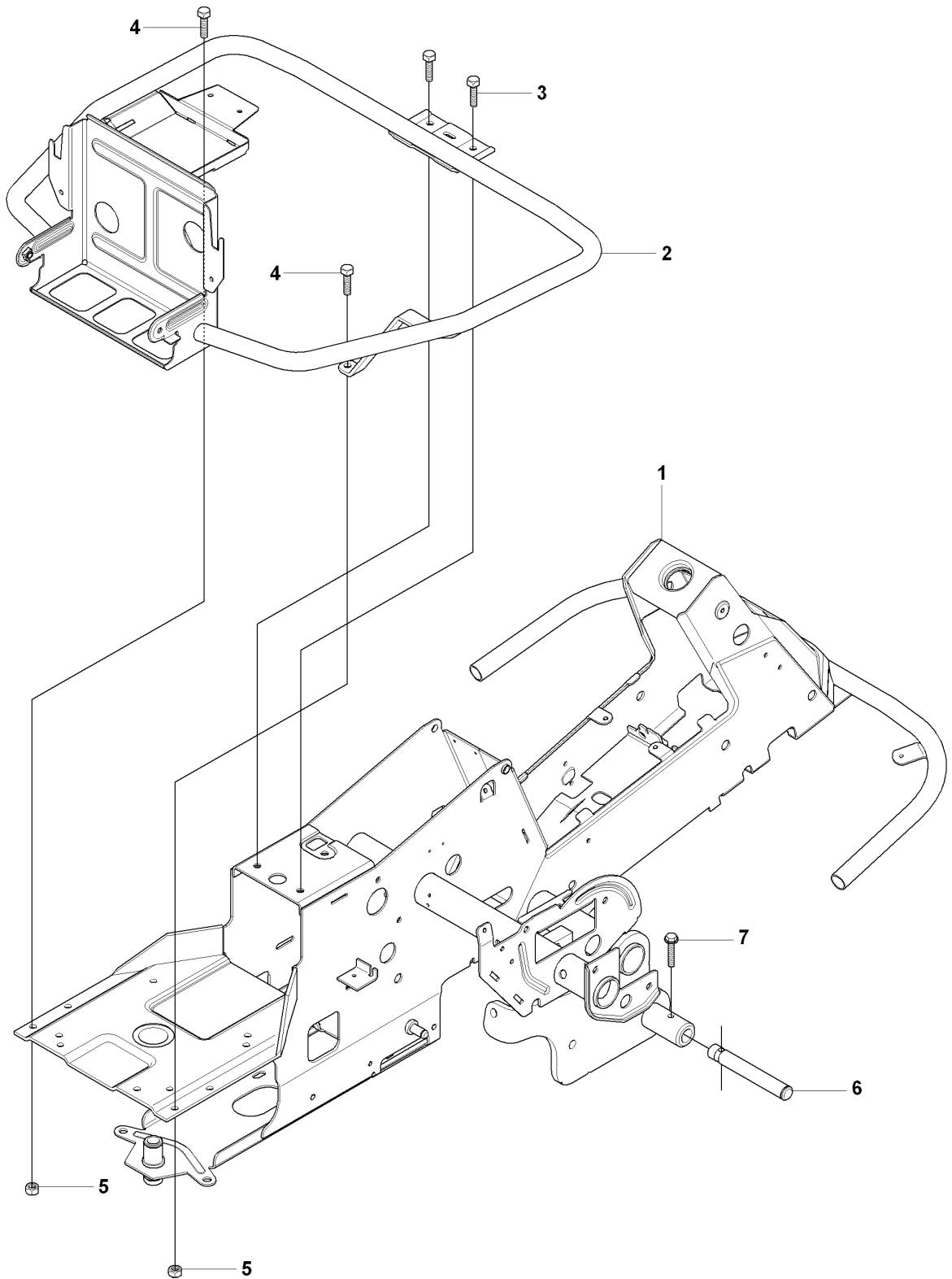
J1 965 09 42-01 RIDER R11C
CHASSIS, REAR



REF.	PART NO.	DESCRIPTION	REMARK	QTY.	KIT
1	506985803	SPINDLE		1	
2	738210504	BALL BEARING		1	
3	738211004	BALL BEARING		1	
4	735314010	CIRCLIP		1	
5	735312600	CIRCLIP		1	
6	506985901	SWING AXLE		1	
7	735312600	CIRCLIP		2	
8	506773401	WASHER		2	
9	740681421	V-RING		1	
10	535406001	BRACKET		1	
11	506986102	GLIDLAGER		2	
39	506575201	WIRE HOLDER		1	
40	725236651	HEXAGONAL SCREW M6X12		2	
41	506889901	HITCH		1	
42	725249371	SCREW EHHM		2	

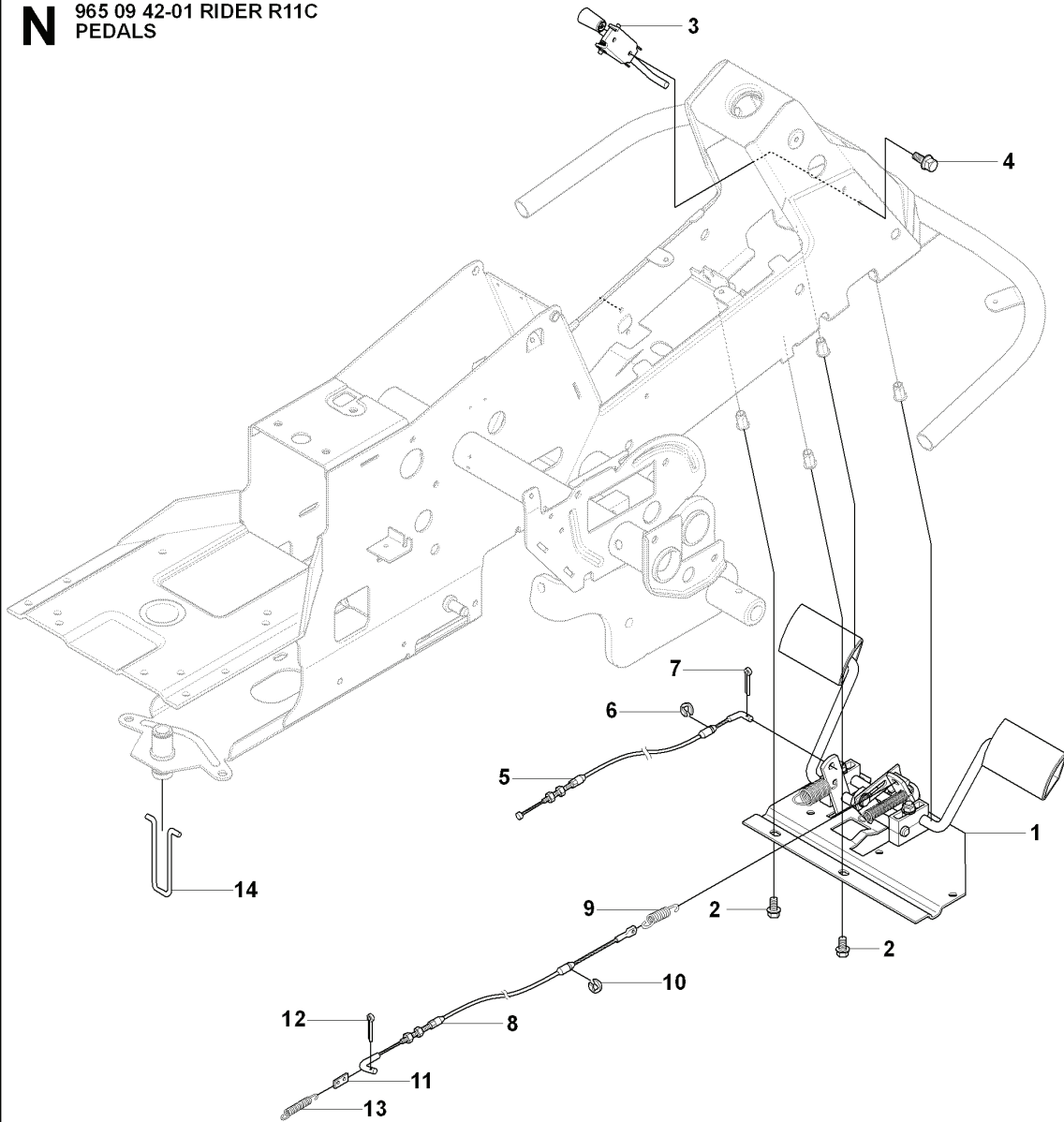
REF.	PART NO.	DESCRIPTION	REMARK	QTY.	KIT
1	506671901	SPRING		1	
2	506576301	SPRING RETAINER		1	
3	506670801	LINK		1	
4	506597401	SCREW EHHFM		1	
5	544375202	STEERING WHEEL		1	
6	728745505	SCREW IHSETM		1	
7	731231801	HEXAGON NUT		1	
8	535499501	ROD STEERING ASSY		1	
9	506863401	DRIVER		3	
10	728844305	SCREW IHSETM		3	
11	506863601	WASHER		1	
12	506887801	SPACER		1	
13	738210404	BALL BEARING		1	
14	506570104	SCREW EHHFM		1	
15	506500903	BARRING WHEEL		1	
16	535424101	BARRING WHEEL		1	
17	735314010	CIRCLIP		1	
18	738220419	BALL BEARING		1	
19	506500802	BUSHING		1	
20	506675402	SCREW EHHFM		1	
21	734117441	WASHER		1	
22	506589104	WIRE ASSY		2	
23	506522401	STARTER PULLEY		2	
24	506539402	SHAFT		1	
25	735311420	E-CLIP		2	
26	506554601	CHAIN		1	
27	506554701	LINKAGE		2	
28	544427301	WIRE GUIDE		1	
29	731232051	HEXAGON NUT		4	

F 965 09 42-01 RIDER R11C
CHASSIS

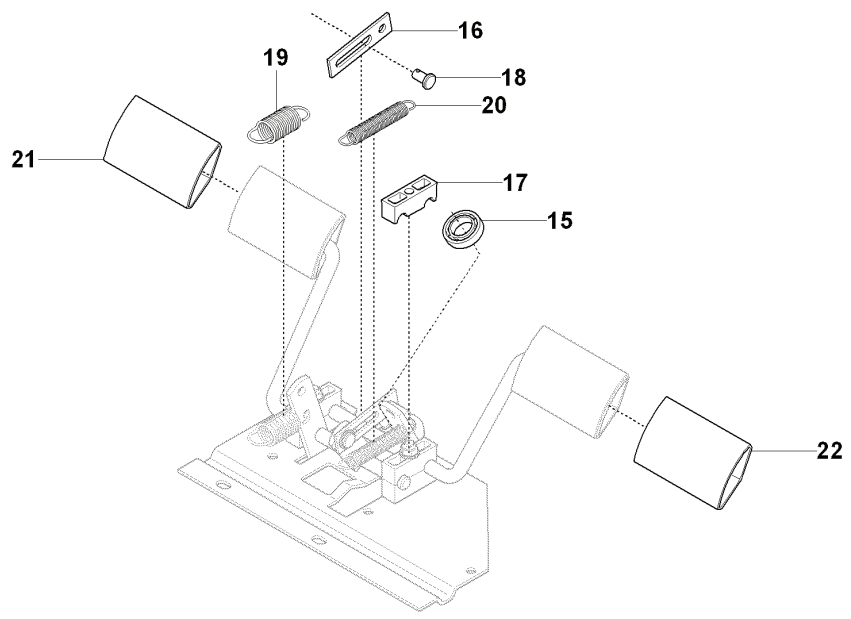


REF.	PART NO.	DESCRIPTION	REMARK	QTY.	KIT
1	544842301	FRAME		1	
2	544244501	ENGINE FRAME		1	
3	506570103	SCREW EHHFM		2	
4	725245171	SCREW EHHM		2	
5	732211801	LOCK NUT		2	
6	535470801	WHEEL AXLE		2	
7	725245961	SCREW EHHFT		2	

N 965 09 42-01 RIDER R11C
PEDALS

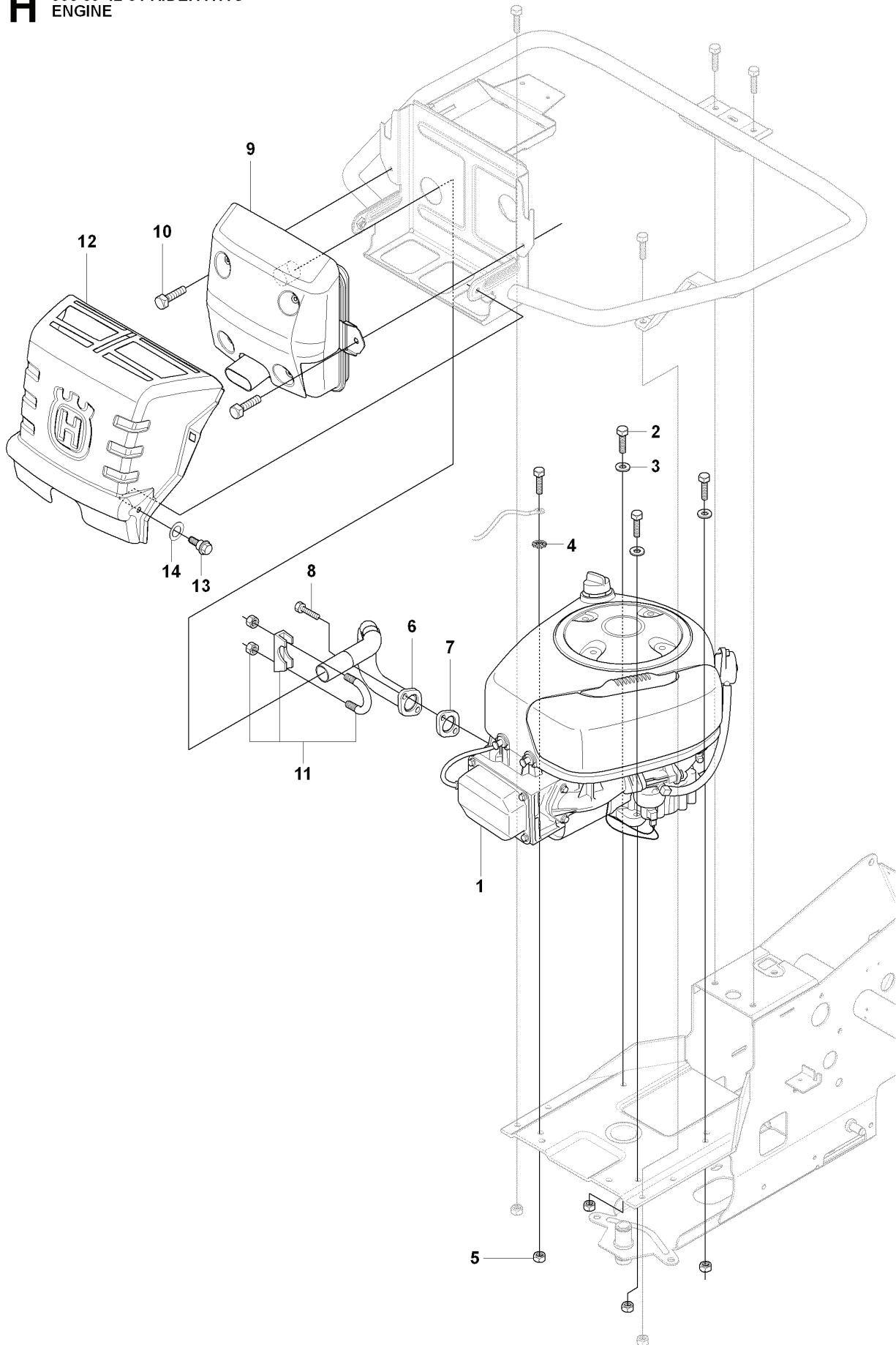


PEDALS



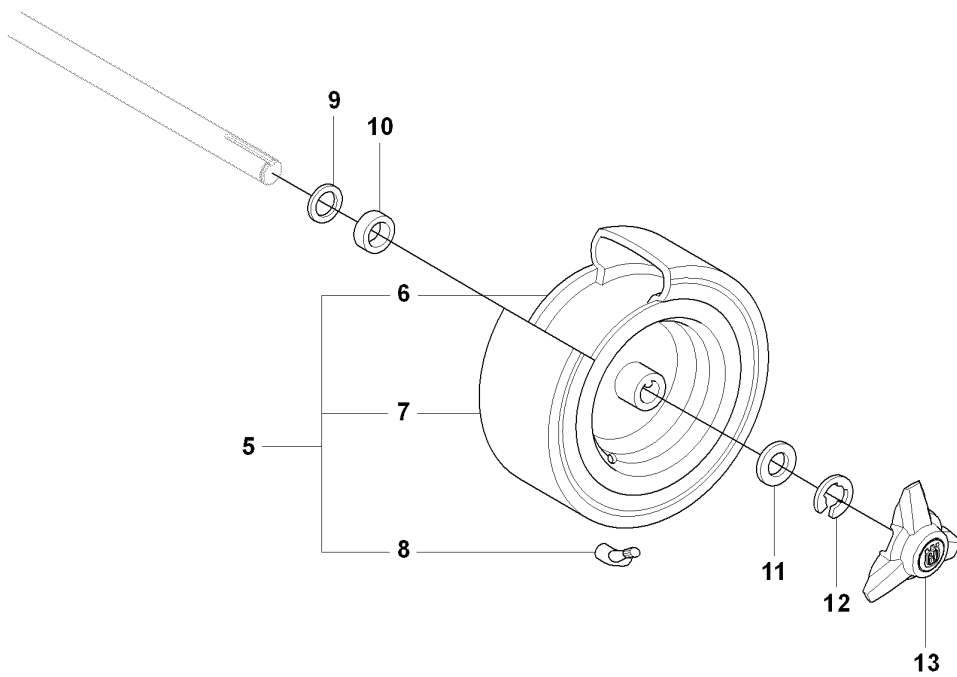
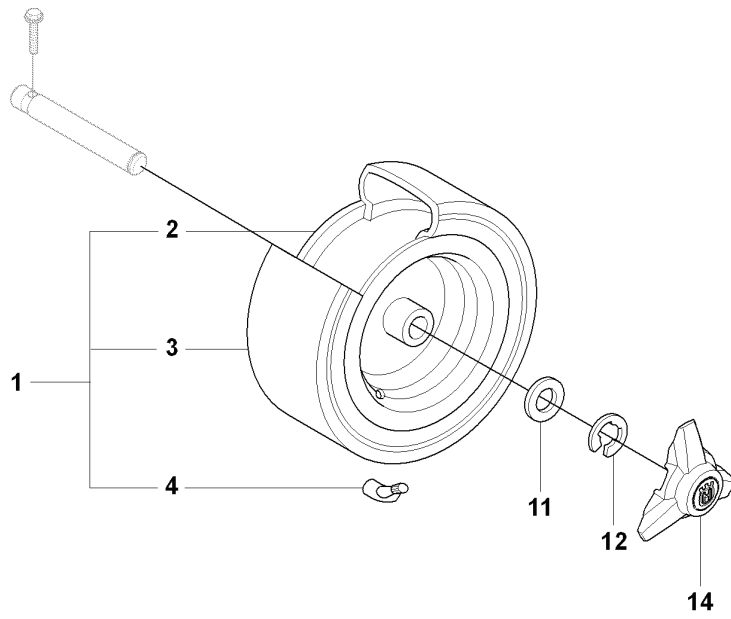
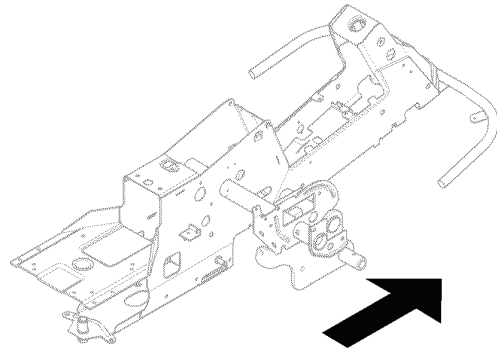
REF.	PART NO.	DESCRIPTION	REMARK	QTY.	KIT
1	544132301	PEDAL PLATE ASSY		1	
2	506570104	SCREW EHI-FM		4	
3	544403101	BRAKE LEVER ASSY		1	
4	725236461	SCREW EHI-FT		2	
5	506952501	WIRE ASSY		1	
6	735310920	E-CLIP		1	
7	721615201	SPLIT PIN		1	
8	506952601	CABLE		1	
9	506919101	BRAKE SPRING		1	
10	735310920	E-CLIP		1	
11	506599301	LINK		1	
12	721615201	SPLIT PIN		1	
13	506535603	DRAW SPRING		1	
14	506576401	CABLE HOLDER		1	
15	738210204	BALL BEARING		1	
16	544127901	LINK		1	
17	535480801	BEARING SUPPORT		4	
18	721839901	CLEVIS PIN		1	
19	544133401	DRAW SPRING		1	
20	544133601	DRAW SPRING		1	
21	535478802	PEDAL		1	
22	535478802	PEDAL		1	

H 965 09 42-01 RIDER R11C
ENGINE



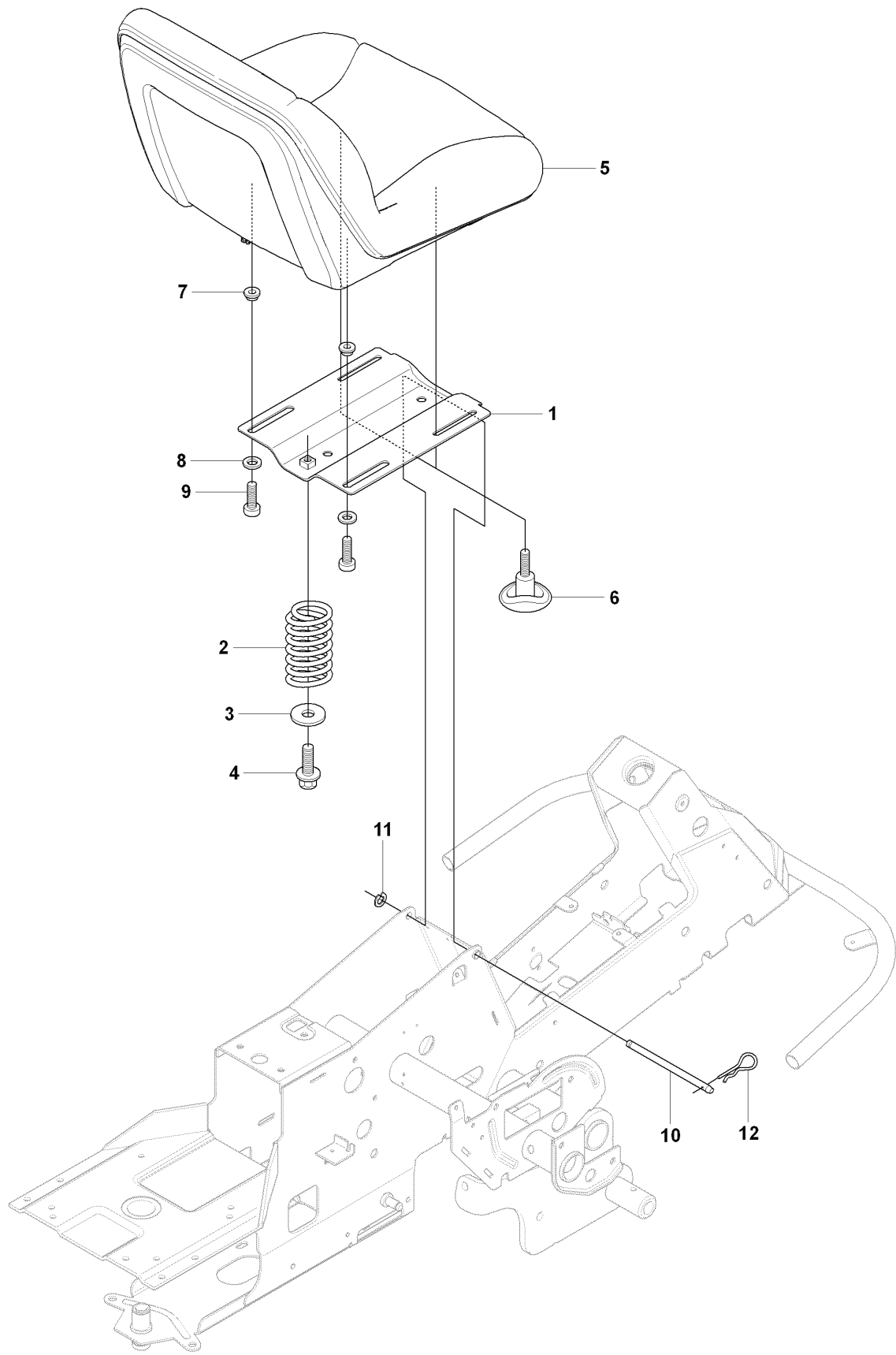
REF.	PART NO.	DESCRIPTION	REMARK	QTY.	KIT
1	535440701	MOTOR		1	
2	725245751	SCREW		4	
3	734116401	WASHER		3	
4	735216400	LOCKWASHER		1	
5	732211801	LOCK NUT		4	
6	535500601	EXHAUST PIPE ASSY		1	
7	506914501	GASKET		1	
8	506556301	SCREW UNC		2	
9	544335701	MUFFLER ASSY		1	
10	725236461	SCREW EHHFT		2	
11	506668401	CLAMP ASSY		1	
12	544248301	HEAT PROTECTOR		1	
13	506597401	SCREW EHHFM		2	
14	506839401	SPRING WASHER		2	

Q 965 09 42-01 RIDER R11C
WHEELS & TIRES



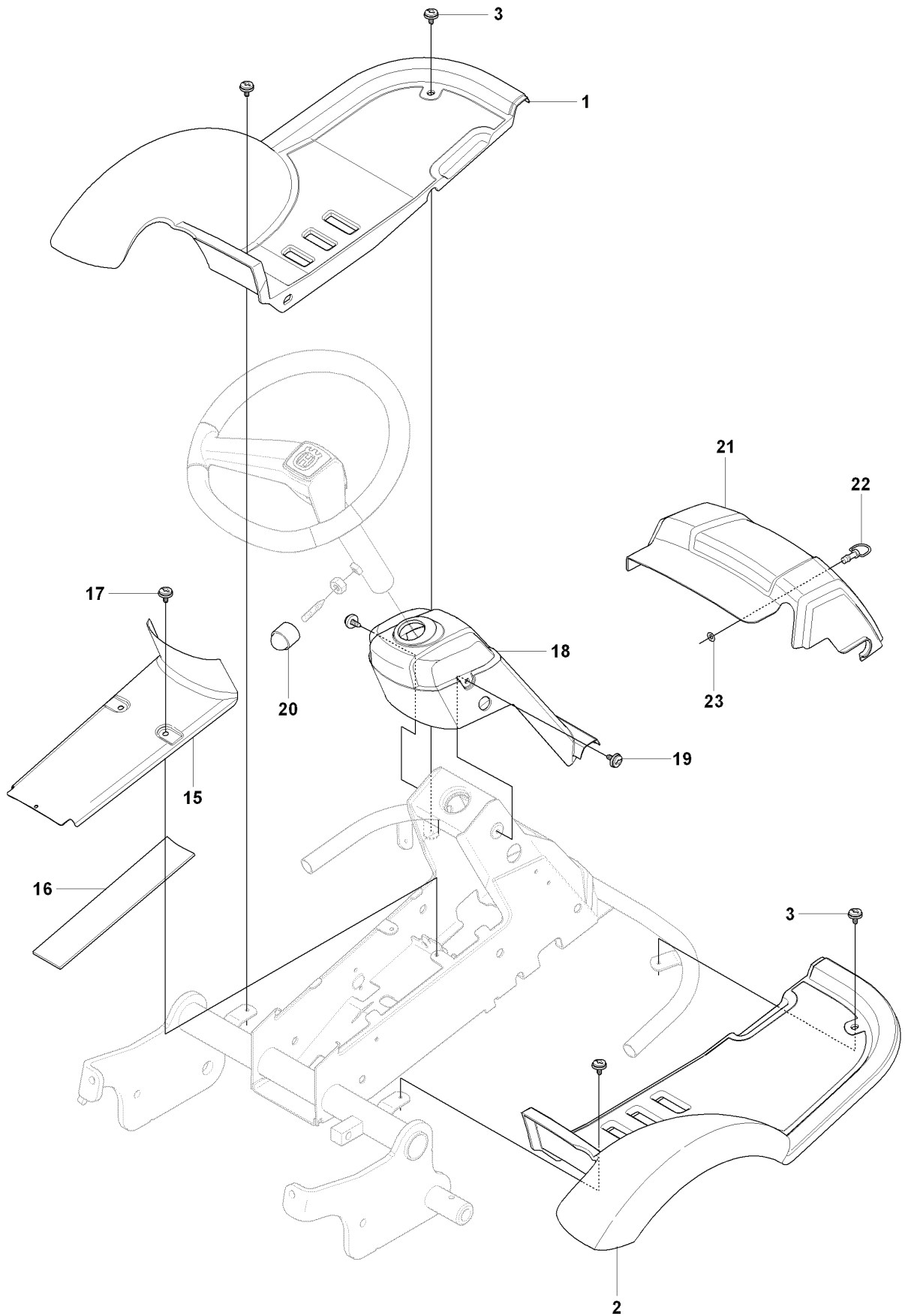
REF.	PART NO.	DESCRIPTION	REMARK	QTY.	KIT
1	544126201	WHEEL		2	
2	544114301	RIM		1	
3	535460001	TYRE		1	
4	506574301	VALVE ASSY		1	
5	544126301	WHEEL		2	
6	544114201	RIM		1	
7	535460001	TYRE		1	
8	506574301	VALVE ASSY		1	
9	506504803	WASHER		2	
10	506596201	SPACING SLEEVE		2	
11	506504805	WASHER		4	
12	506899001	E-CLIP		4	
13	544353501	HUB CAP		2	
14	544353502	HUB CAP		2	

A 965 09 42-01 RIDER R11C
SEAT, TS2500



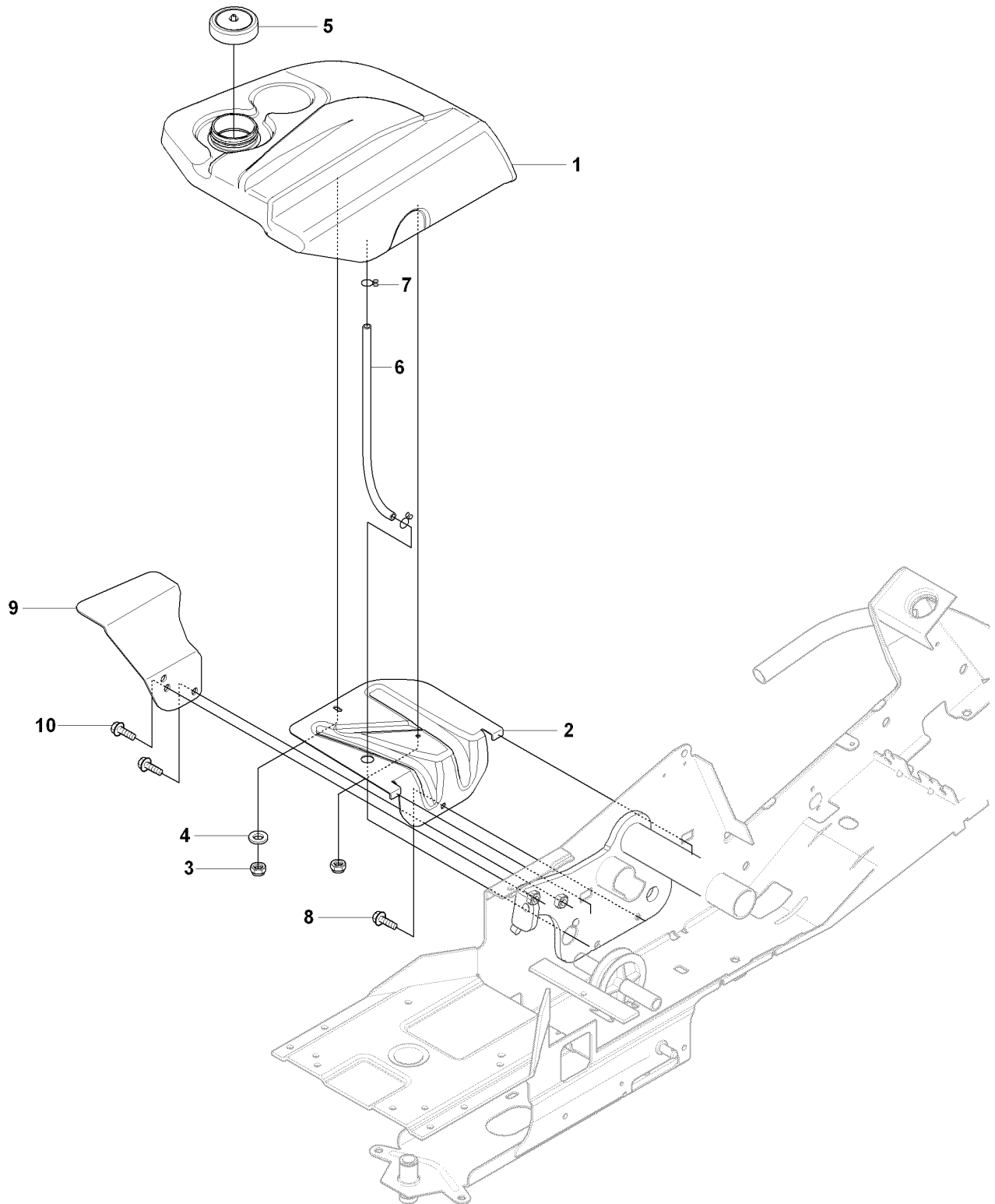
REF.	PART NO.	DESCRIPTION	REMARK	QTY.	KIT
1	544328503	SEAT BRACKET		1	
2	506915301	COMPRESSION SPRING		1	
3	734117441	WASHER		1	
4	725249371	SCREW EHHM		1	
5	544433301	SEAT		1	
6	506565501	JUSTERVRED		2	
7	506565301	BUSHING		2	
8	734116441	WASHER		2	
9	506556301	SCREW UNC		2	
10	506509901	SHAFT		1	
11	735311200	CIRCLIP		1	
12	506668801	SPRING COTTER		1	

C2 965 09 42-01 RIDER R11C
COVER



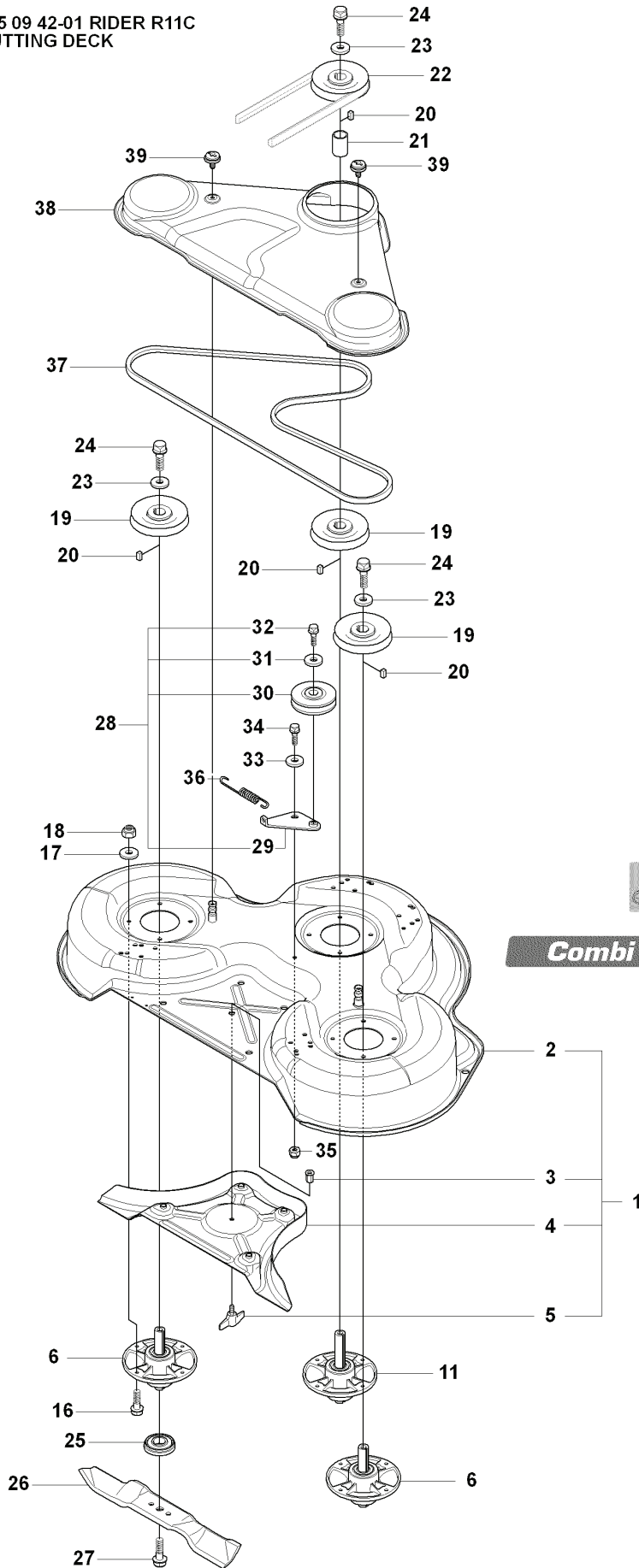
REF.	PART NO.	DESCRIPTION	REMARK	QTY.	KIT
1	544895901	FOOT PLATE		1	
2	544895902	FOOT PLATE		1	
3	544400501	SCREW		4	
15	544239201	COVER		1	
16	544427501	MAT		1	
17	544400501	SCREW		2	
18	544326502	COVER		1	
19	544400501	SCREW		2	
20	544433201	PROTECTIVE COVER		1	
21	544374201	UNIT COVER		1	
22	506963501	VRIDTAPP		1	
23	506963601	WASHER		1	

B 965 09 42-01 RIDER R11C
FUEL SYSTEM

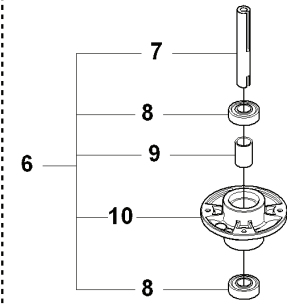


REF.	PART NO.	DESCRIPTION	REMARK	QTY.	KIT
1	535501301	FUEL TANK		1	
2	544329301	BRACKET		1	
3	732211601	LOCK NUT		2	
4	734115601	WASHER		1	
5	506673301	TANK CAP ASSY		1	
6	506946707	FUEL HOSE		1	
7	535469701	HOSE BRACE		2	
8	725236461	SCREW EHHFT		1	
9	501020301	SUPPORT		1	
10	725249371	SCREW EHHM		2	

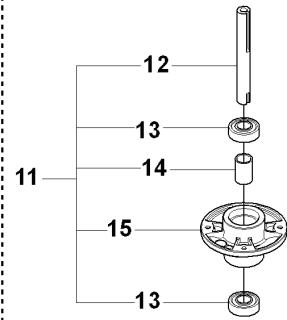
T2 965 09 42-01 RIDER R11C
CUTTING DECK



Yttre.
Outer.
Exterieur.
Äusser.
Ulko.



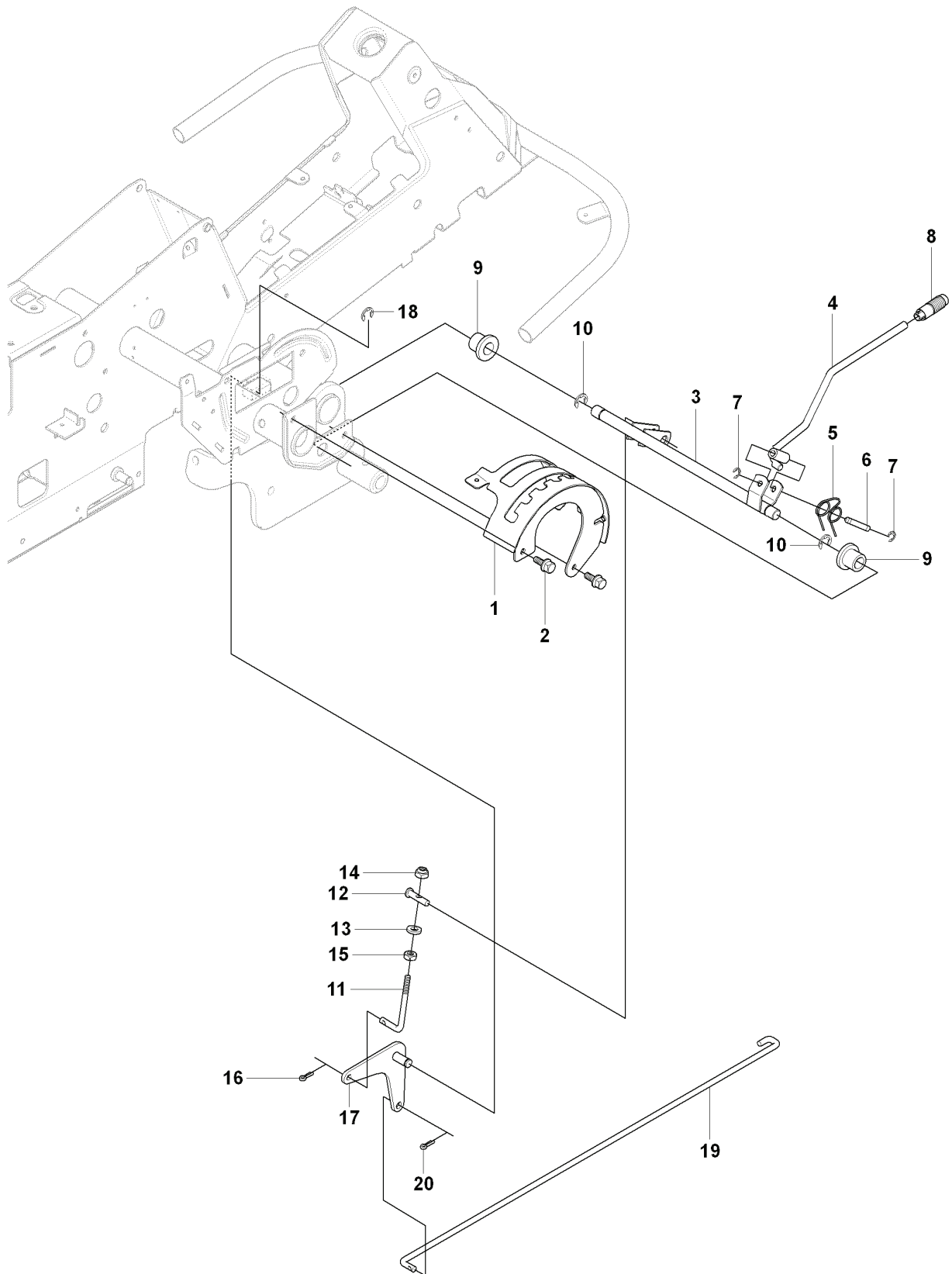
Mitten.
Centre.
Centre.
Zentrum.
Keski.



Combi 94 64

REF.	PART NO.	DESCRIPTION	REMARK	QTY.	KIT
1	544065704	CUTTING DECK		1	
2	544065506	DECK SHELL ASSY		1	
3	506916201	NUT		1	
4	544065801	PLUG		1	
5	544066101	KNOB		1	
6	544065901	BLADE HOUSING ASSY		2	
7	544067902	SHAFT		1	
8	738230434	BALL BEARING		2	
9	544068001	SPACING SLEEVE		1	
10	544067801	BEARING HOUSING		1	
11	544065903	BLADE HOUSING ASSY		1	
12	544067901	SHAFT		1	
13	738230434	BALL BEARING		2	
14	544068001	SPACING SLEEVE		1	
15	544067801	BEARING HOUSING		1	
16	535423801	SCREW RSQM		12	
17	734116401	WASHER		12	
18	732211801	LOCK NUT		12	
19	506922101	PULLEY		3	
20	506533501	PARALLEL KEY		4	
21	544068003	SPACING SLEEVE		1	
22	506778601	PULLEY		1	
23	734117441	WASHER		3	
24	506675402	SCREW EHHFM		3	
25	544064901	BLADE HOLDER		3	
26	579652510	BLADE		3	
27	506675402	SCREW EHHFM		3	
28	506797301	BELT TENSIONER ASSY		1	
29	506797101	SPÄNNARM KPL.		1	
30	506793201	BELT TENSIONER WHEEL		1	
31	734116441	WASHER		1	
32	506558302	SCREW EHHFT		1	
33	506918702	WASHER		1	
34	725245171	SCREW EHHM		1	
35	732211801	LOCK NUT		1	
36	506533101	SPRING		1	
37	544068101	BELT		1	
38	544066301	BELT COVER		1	
39	544400501	SCREW		2	
63	506789701	LABEL		1	
64	544238101	LABEL		1	

D 965 09 42-01 RIDER R11C
HEIGHT ADJUSTMENT



REF.	PART NO.	DESCRIPTION	REMARK	QTY.	KIT
1	535501401	CONTROL PLATE		1	
2	506570103	SCREW EHHFM		2	
3	535506401	CONTROL SHAFT		1	
4	535506201	ADJUSTER		1	
5	506531401	SPRING		1	
6	506531501	SHAFT		1	
7	735310920	E-CLIP		2	
8	506542001	HANDLE		1	
9	506554301	BEARING		2	
10	735312220	E-CLIP		2	
11	506908201	HEIGHT ROD		1	
12	506784601	PEN		1	
13	734117201	WASHER		1	
14	732211801	LOCK NUT		1	
15	731231801	HEXAGON NUT		1	
16	721618301	SPLIT PIN		1	
17	544227701	LINK		1	
18	735311520	E-CLIP		1	
19	544227001	CONNECTION ROD		1	
20	721618301	SPLIT PIN		1	
	PART NO.		REMARK		KIT