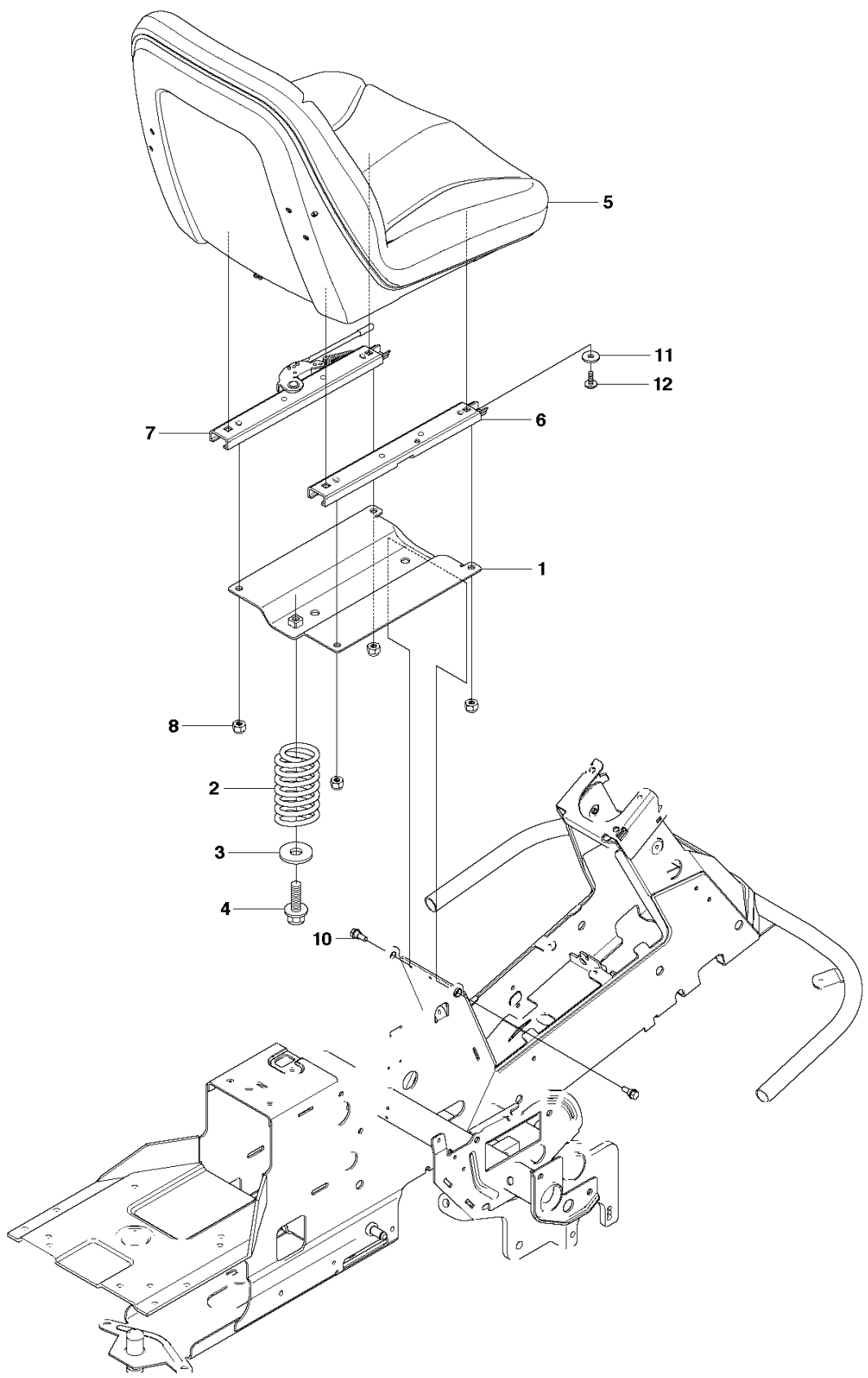
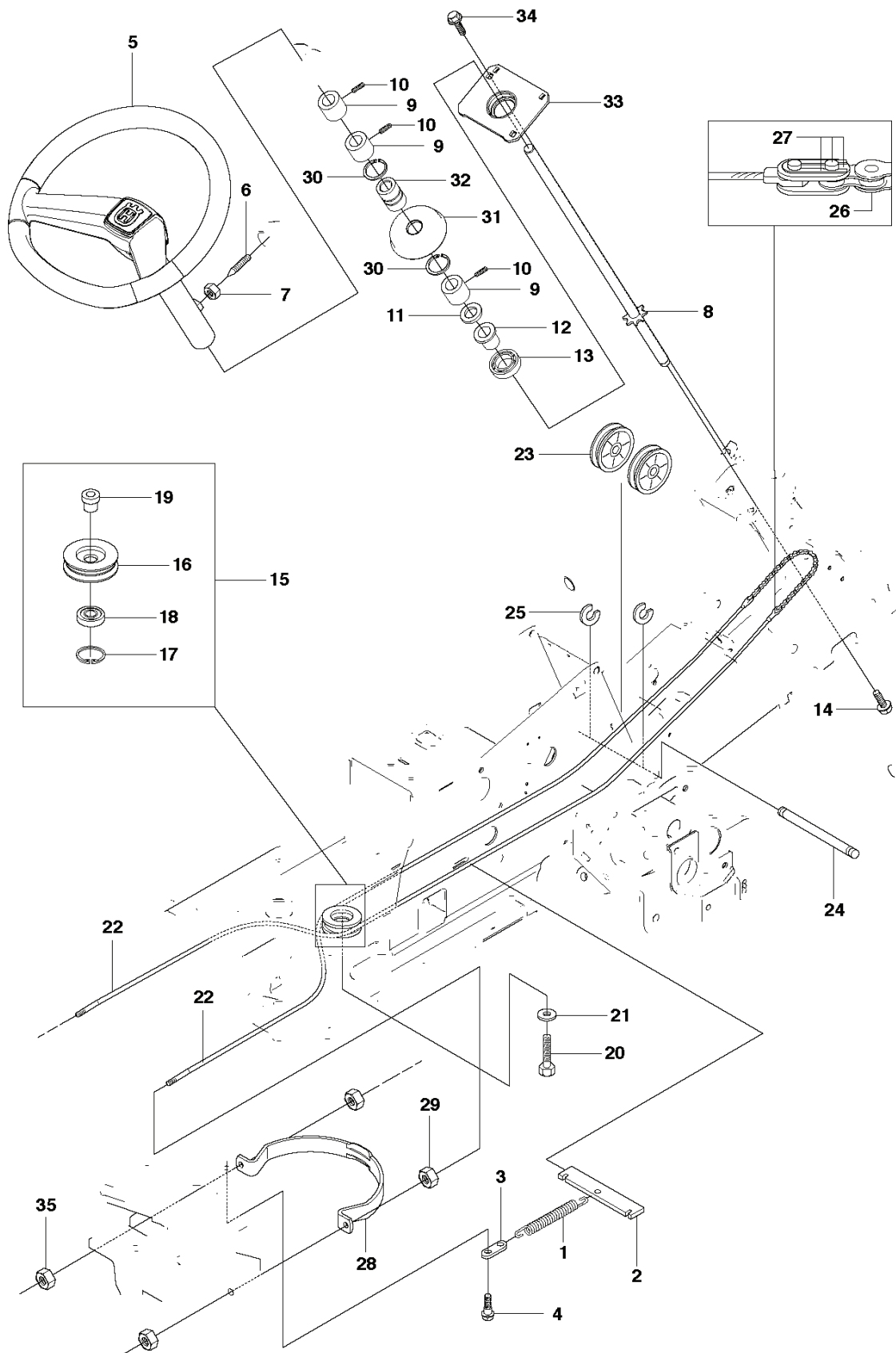


RIDER 15 T, 966414201, 2010-07

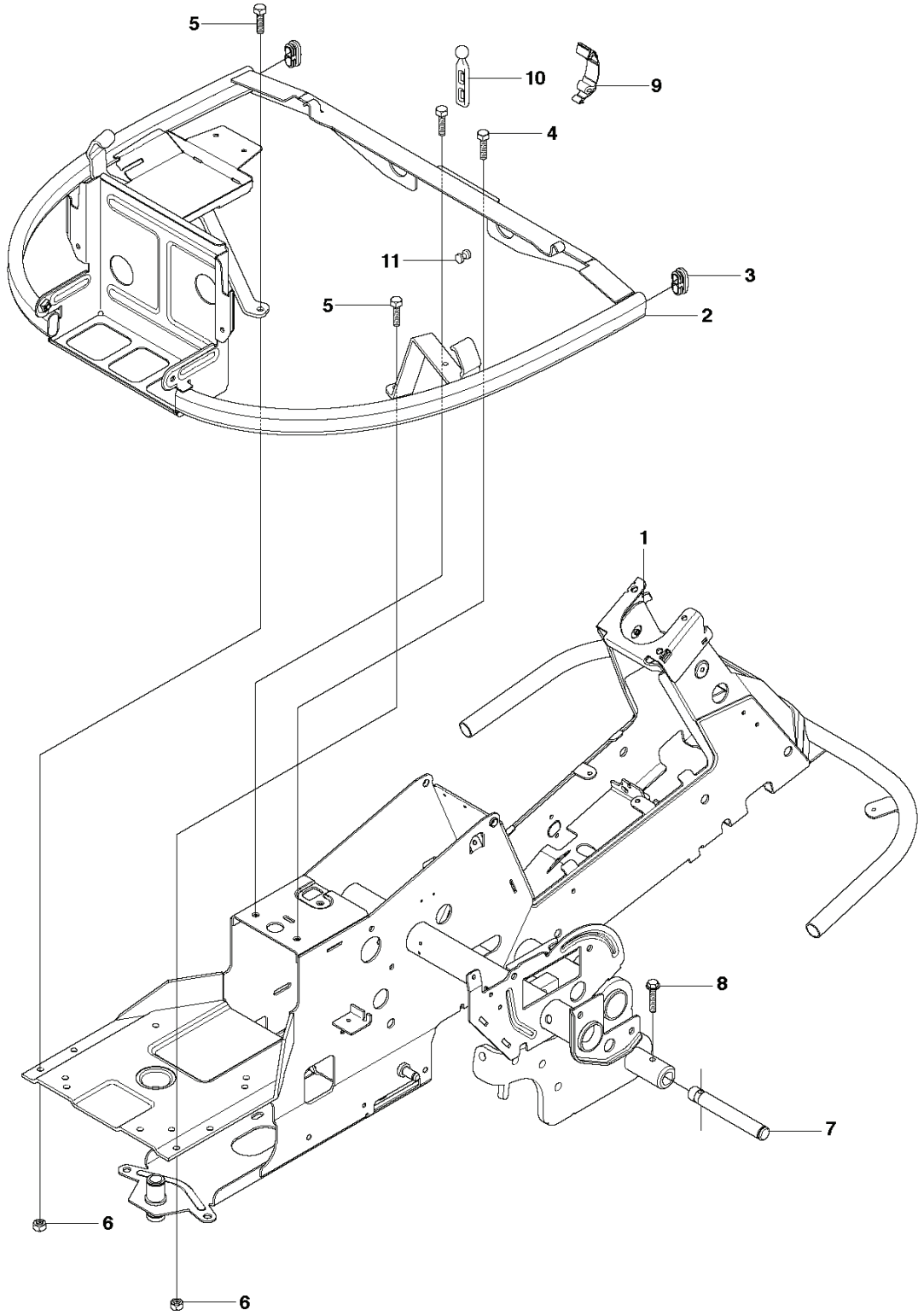
SPARE PARTS LIST



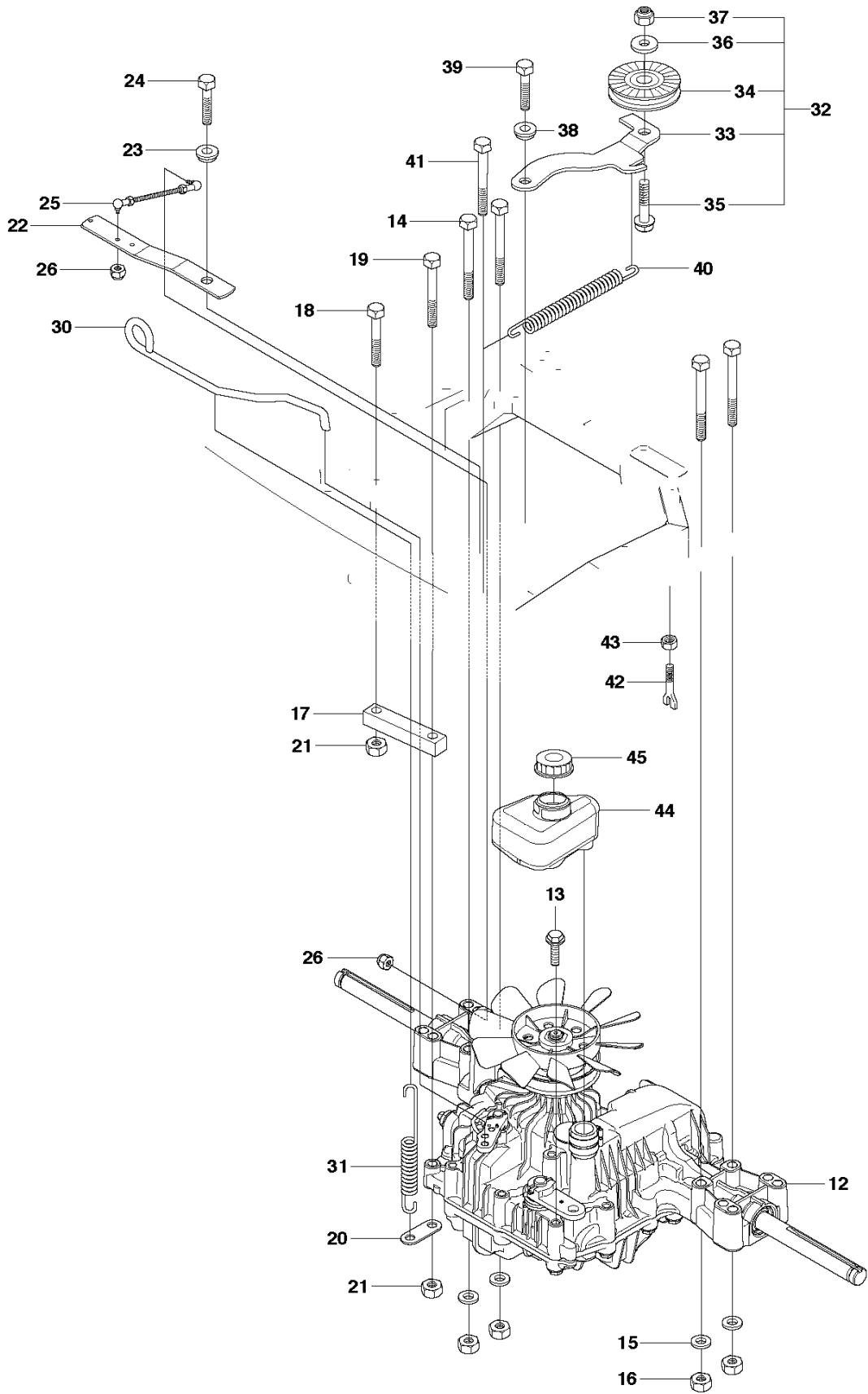
| REF. | PART NO. | DESCRIPTION | REMARK | QTY. | KIT |
|------|-----------|--------------------|--------|------|-----|
| 1 | 573995001 | SEAT BRACKET | | 1 | |
| 2 | 506915301 | COMPRESSION SPRING | | 1 | |
| 3 | 734117441 | WASHER | | 1 | |
| 4 | 725249371 | SCREW EHHM | | 1 | |
| 5 | 544433401 | SEAT | | 1 | |
| 6 | 506996901 | ADJUSTER | | 1 | |
| 7 | 506996902 | ADJUSTER | | 1 | |
| 8 | 732211801 | LOCK NUT | | 4 | |
| 10 | 506597401 | SCREW EHHFM | | 2 | |
| 11 | 535401801 | SPACER | | 4 | |
| 12 | 874780512 | SCREW | | 4 | |



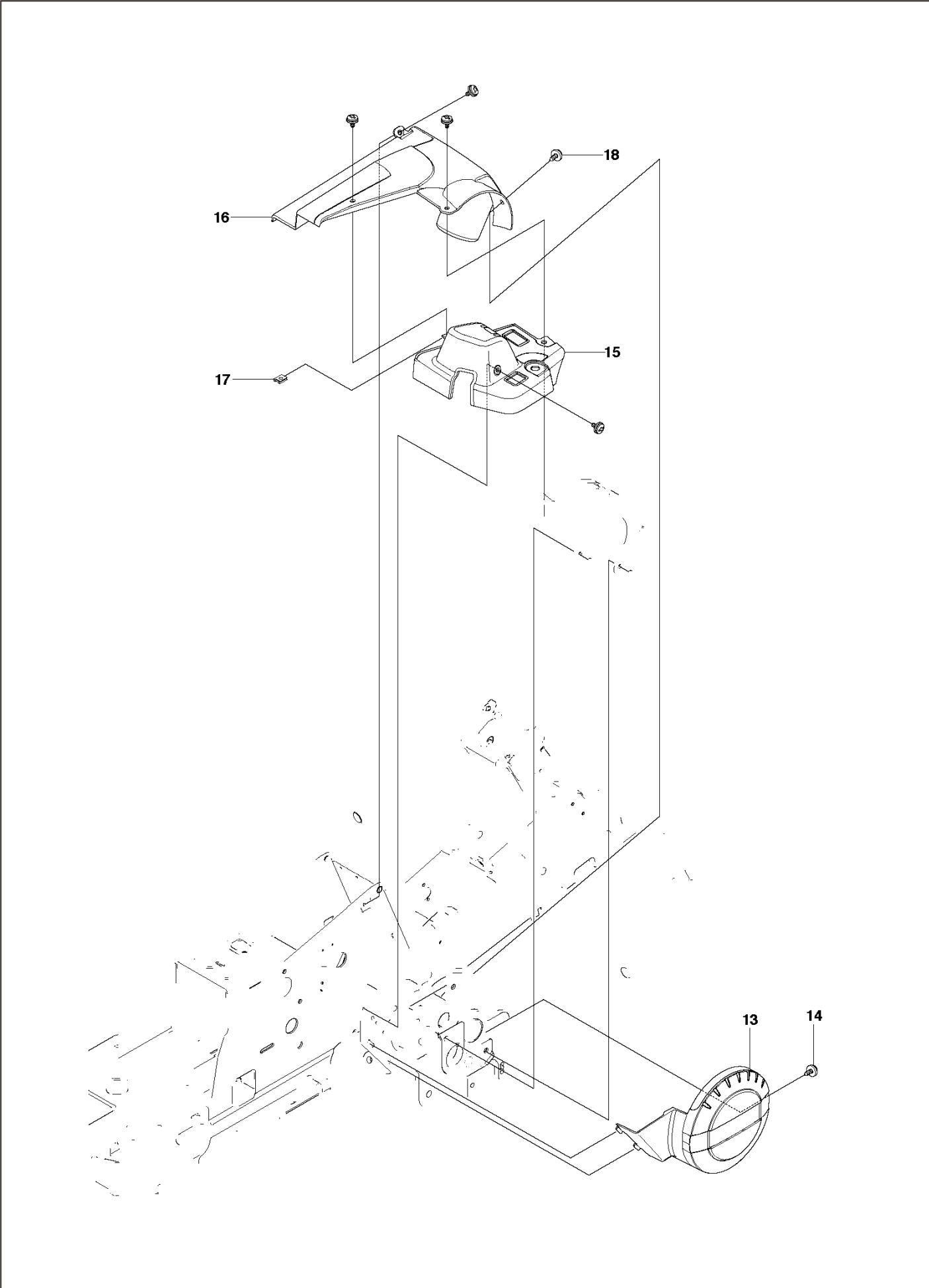
| REF. | PART NO. | DESCRIPTION | REMARK | QTY. | KIT |
|------|-----------|-----------------|--------|------|-----|
| 1 | 506671901 | SPRING | | 1 | |
| 2 | 506576301 | SPRING RETAINER | | 1 | |
| 3 | 506670801 | LINK | | 1 | |
| 4 | 506597401 | SCREW EHHFM | | 1 | |
| 5 | 544375201 | STEERING WHEEL | | 1 | |
| 6 | 728745505 | SCREW IHSETM | | 1 | |
| 7 | 731231801 | HEXAGON NUT | | 1 | |
| 8 | 575632201 | STEERING ROD | | 1 | |
| 9 | 506863401 | DRIVER | | 3 | |
| 10 | 728844305 | SCREW IHSETM | | 3 | |
| 11 | 506863601 | WASHER | | 1 | |
| 12 | 506887801 | SPACER | | 1 | |
| 13 | 738210404 | BALL BEARING | | 1 | |
| 14 | 506570104 | SCREW EHHFM | | 1 | |
| 15 | 506500903 | BARRING WHEEL | | 1 | |
| 16 | 535424101 | BARRING WHEEL | | 1 | 15 |
| 17 | 735314010 | CIRCLIP | | 1 | 15 |
| 18 | 738220419 | BALL BEARING | | 1 | 15 |
| 19 | 506500802 | BUSHING | | 1 | 15 |
| 20 | 506675402 | SCREW EHHFM | | 1 | |
| 21 | 734117441 | WASHER | | 1 | |
| 22 | 506589104 | WIRE ASSY | | 2 | |
| 23 | 506522401 | STARTER PULLEY | | 2 | |
| 24 | 506539403 | SHAFT | | 1 | |
| 25 | 735311420 | E-CLIP | | 2 | |
| 26 | 506554601 | CHAIN | | 1 | |
| 27 | 506554701 | LINKAGE | | 2 | |
| 28 | 544427301 | WIRE GUIDE | | 1 | |
| 29 | 731232051 | HEXAGON NUT | | 2 | |
| 30 | 735312600 | CIRCLIP | | 2 | |
| 31 | 535423701 | BELLOWS | | 1 | |
| 32 | 535447801 | DRIVER | | 1 | |
| 33 | 502649301 | BEARING CAGE | | 1 | |
| 34 | 506570104 | SCREW EHHFM | | 2 | |
| 35 | 732212051 | NUT | | 2 | |



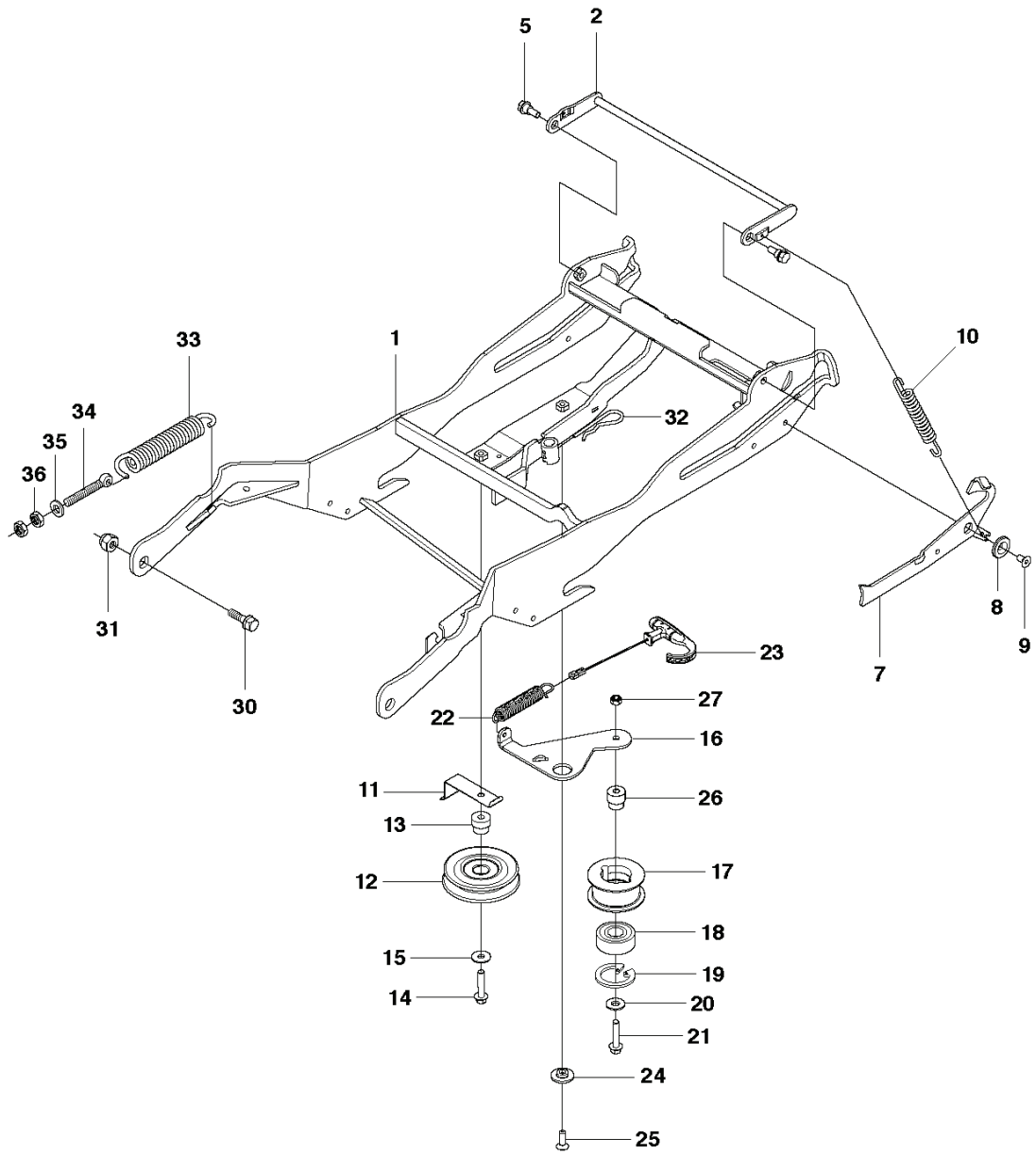
| REF. | PART NO. | DESCRIPTION | REMARK | QTY. | KIT |
|------|-----------|--------------|--------|------|-----|
| 1 | 502655501 | FRAME | | 1 | |
| 2 | 544244203 | ENGINE FRAME | | 1 | |
| 3 | 544244401 | PLUG | | 2 | |
| 4 | 506570103 | SCREW EHHFM | | 2 | |
| 5 | 725245171 | SCREW EHHM | | 2 | |
| 6 | 732211801 | LOCK NUT | | 2 | |
| 7 | 535470801 | WHEEL AXLE | | 2 | |
| 8 | 725245961 | SCREW EHHFT | | 2 | |
| 9 | 503894703 | SNAP LOCKING | | 1 | |
| 10 | 506599501 | BUTTON | | 1 | |
| 11 | 506599601 | GUMMISTROPP | | 1 | |



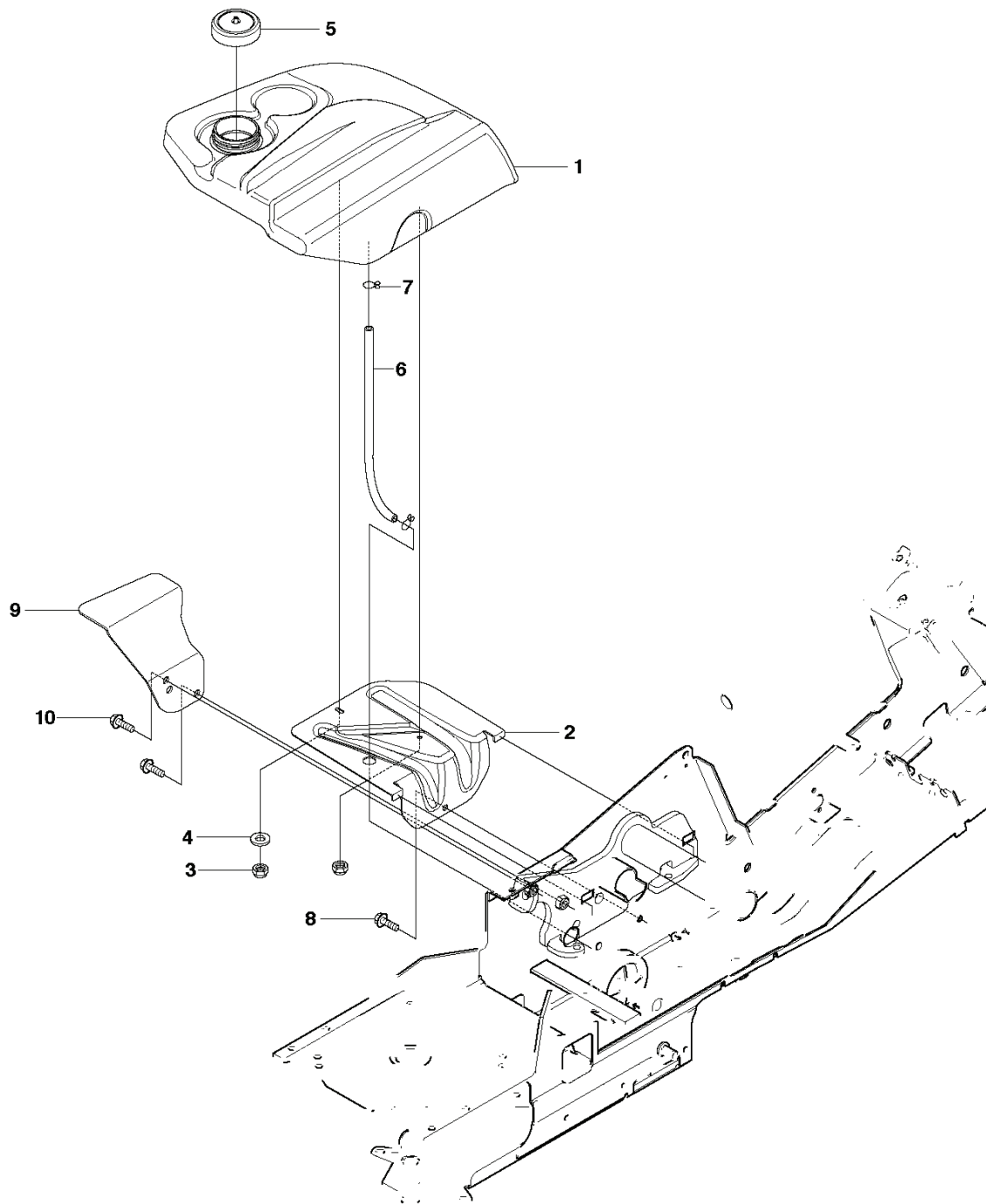
| REF. | PART NO. | DESCRIPTION | REMARK | QTY. | KIT |
|------|-----------|---------------------|--------|------|-----|
| 12 | 506986301 | TRANSMISSION | | 1 | |
| 13 | 506558302 | SCREW EHHFT | | 1 | |
| 14 | 725246751 | SCREW EHHM | | 4 | |
| 15 | 734116401 | WASHER | | 4 | |
| 16 | 731231801 | HEXAGON NUT | | 4 | |
| 17 | 506987201 | MOMENTFÄSTE | | 1 | |
| 18 | 725245951 | SCREW EHHM | | 1 | |
| 19 | 725246251 | SCREW EHHM | | 1 | |
| 20 | 506599301 | LINK | | 1 | |
| 21 | 731231801 | HEXAGON NUT | | 2 | |
| 22 | 506987403 | LEVER | | 1 | |
| 23 | 506918702 | WASHER | | 1 | |
| 24 | 725245151 | SCREW | | 1 | |
| 25 | 506987501 | ADJUSTMENT ROD | | 1 | |
| 26 | 732211401 | LOCK NUT | | 2 | |
| 30 | 506988201 | FRIKOPPLINGSSTÅNG | | 1 | |
| 31 | 506834301 | SPRING | | 1 | |
| 32 | 506988401 | BELT TENSIONER ASSY | | 1 | |
| 33 | 506988501 | BELT TENSIONER | | 1 | 32 |
| 34 | 506946901 | PULLEY | | 1 | 32 |
| 35 | 725245551 | SCREW | | 1 | 32 |
| 36 | 734116441 | WASHER | | 1 | 32 |
| 37 | 732211801 | LOCK NUT | | 1 | 32 |
| 38 | 506918702 | WASHER | | 1 | |
| 39 | 725245151 | SCREW | | 1 | |
| 40 | 506988601 | SPRING | | 1 | |
| 41 | 725246451 | SCREW EHHM | | 1 | |
| 42 | 506988801 | PENDULUM | | 1 | |
| 43 | 731232051 | HEXAGON NUT | | 1 | |
| 44 | 506989001 | EXPANSION TANK | | 1 | |
| 45 | 506988001 | TANK CAP ASSY | | 1 | |



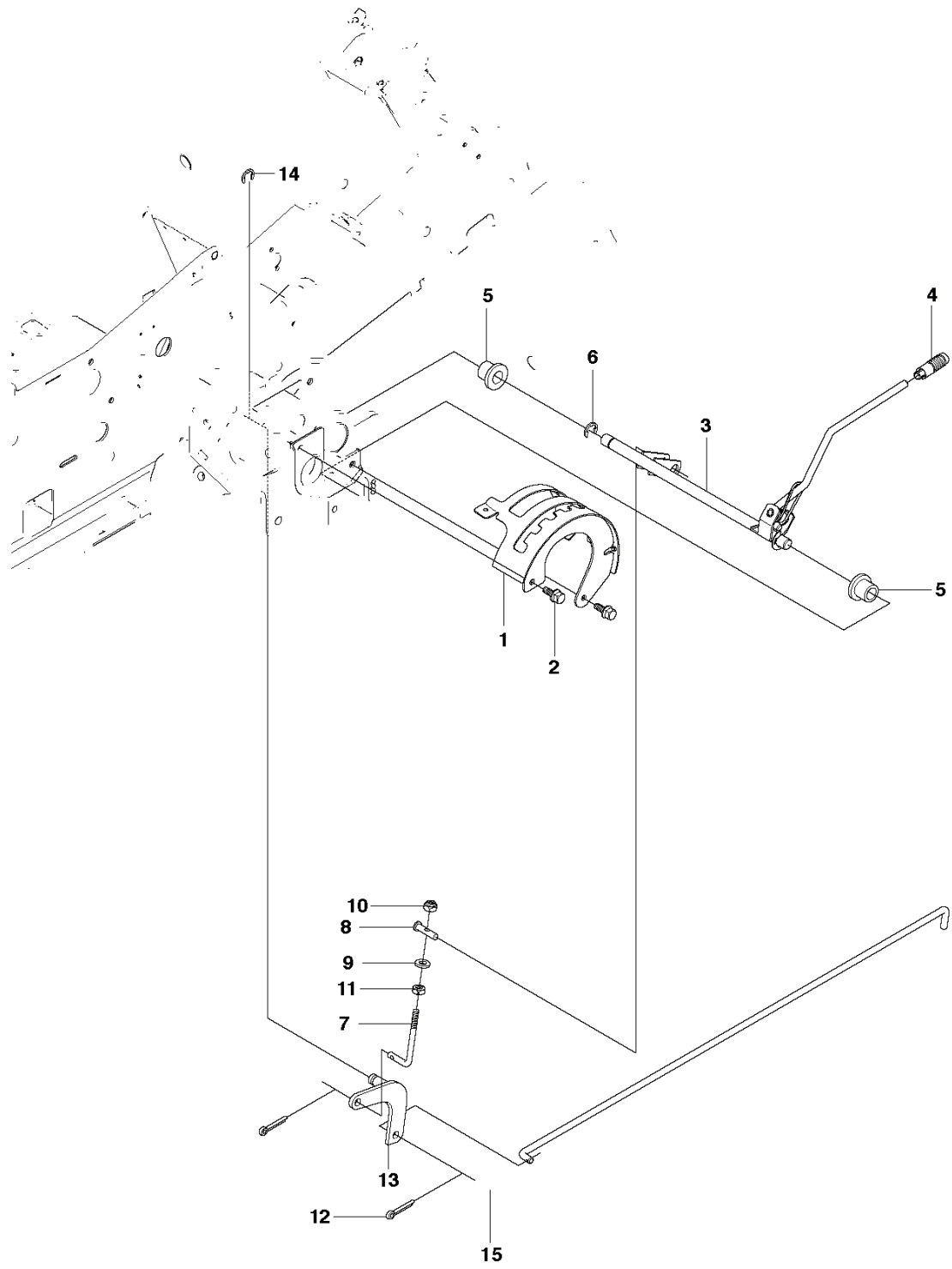
| REF. | PART NO. | DESCRIPTION | REMARK | QTY. | KIT |
|------|-----------|---------------|--------|------|-----|
| 13 | 535502501 | CONTROL COVER | | 1 | |
| 14 | 544400501 | SCREW | | 1 | |
| 15 | 544332101 | CONTROL COVER | | 1 | |
| 16 | 544332202 | COVER | | 1 | |
| 17 | 535429101 | SPRING NUT | | 1 | |
| 18 | 544400501 | SCREW | | 4 | |



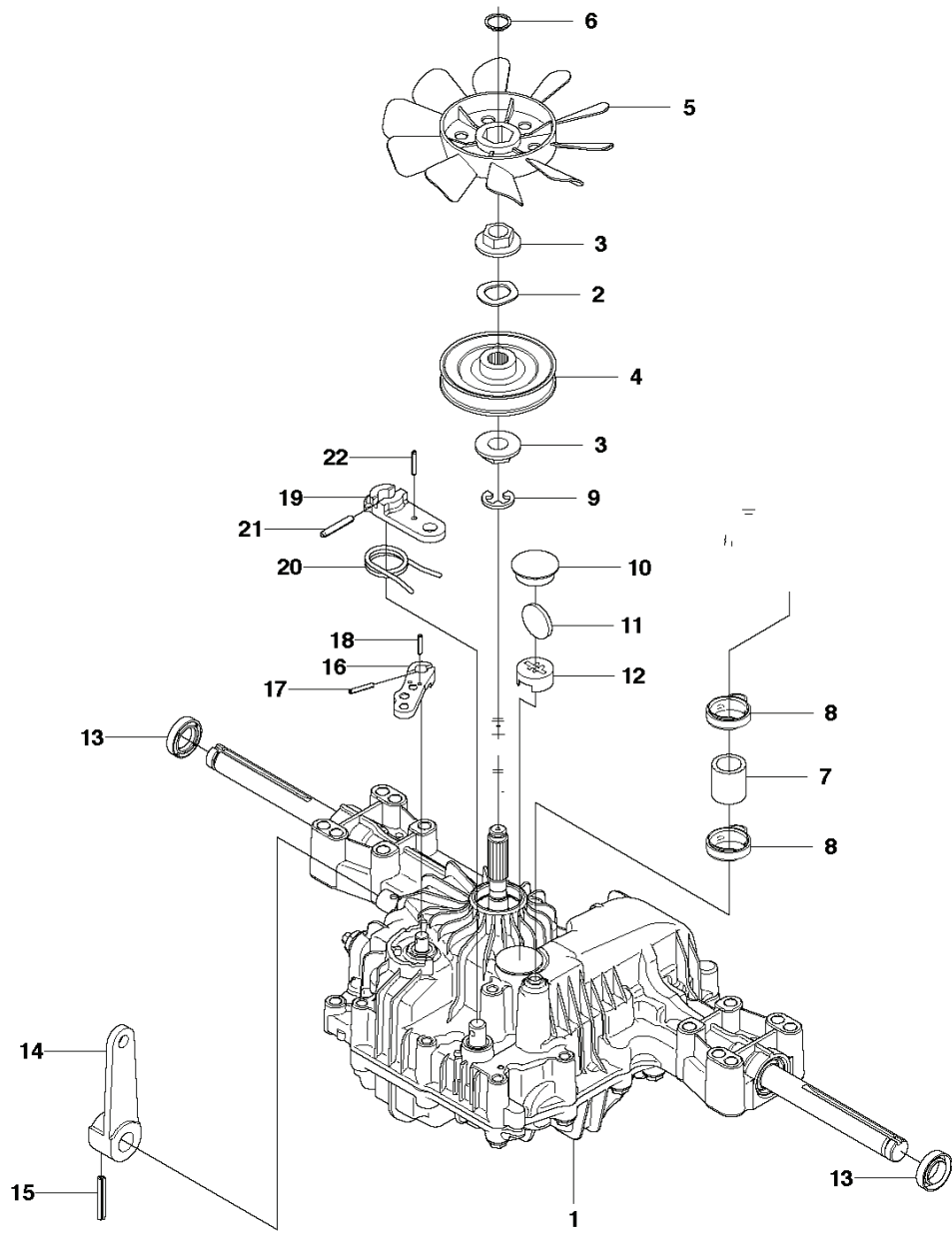
| REF. | PART NO. | DESCRIPTION | REMARK | QTY. | KIT |
|------|-----------|---------------------|--------|------|-----|
| 1 | 523064201 | EQUIPMENT FRAME | | 1 | |
| 2 | 525475901 | HOOK | | 1 | |
| 5 | 506597401 | SCREW EHHFM | | 2 | |
| 7 | 523116602 | LEVER | | 1 | |
| 8 | 506918701 | WASHER | | 1 | |
| 9 | 725644801 | SCREW IHCSFM | | 1 | |
| 10 | 506535603 | DRAW SPRING | | 1 | |
| 11 | 525486701 | BELT GUIDE | | 1 | |
| 12 | 506974801 | PULLEY | | 1 | |
| 13 | 506826802 | BUSHING | | 1 | |
| 14 | 725245951 | SCREW EHHM | | 1 | |
| 15 | 734116441 | WASHER | | 1 | |
| 16 | 523083701 | SHEET | | 1 | |
| 17 | 597509002 | PULLEY | | 1 | |
| 18 | 738210404 | BALL BEARING | | 1 | |
| 19 | 735313810 | CIRCLIP | | 1 | |
| 20 | 734116441 | WASHER | | 1 | |
| 21 | 725245951 | SCREW EHHM | | 1 | |
| 22 | 504622401 | SPRING | | 1 | |
| 23 | 504622102 | HANDLE ASSY | | 1 | |
| 24 | 505451701 | WASHER | | 1 | |
| 25 | 725645301 | SCREW IHCSFM | | 1 | |
| 26 | 535484801 | BUSHING | | 1 | |
| 27 | 732211801 | LOCK NUT | | 1 | |
| 30 | 506895801 | COLLAR SCREW | | 2 | |
| 31 | 732252201 | HEXAGON LOCKING NUT | | 2 | |
| 32 | 506966601 | HAIR PIN COTTER | | 1 | |
| 33 | 506837601 | SPRING | | 2 | |
| 34 | 506837701 | RING BOLT | | 2 | |
| 35 | 734117201 | WASHER | | 2 | |
| 36 | 731232051 | HEXAGON NUT | | 4 | |



| REF. | PART NO. | DESCRIPTION | REMARK | QTY. | KIT |
|------|-----------|---------------|--------|------|-----|
| 1 | 535501301 | FUEL TANK | | 1 | |
| 2 | 544329301 | BRACKET | | 1 | |
| 3 | 732211601 | LOCK NUT | | 2 | |
| 4 | 734115601 | WASHER | | 1 | |
| 5 | 506673301 | TANK CAP ASSY | | 1 | |
| 6 | 504800003 | FUEL HOSE | | 1 | |
| 7 | 535469701 | HOSE BRACE | | 2 | |
| 8 | 725236461 | SCREW EHHFT | | 1 | |
| 9 | 501020301 | SUPPORT | | 1 | |
| 10 | 725249371 | SCREW EHHM | | 2 | |

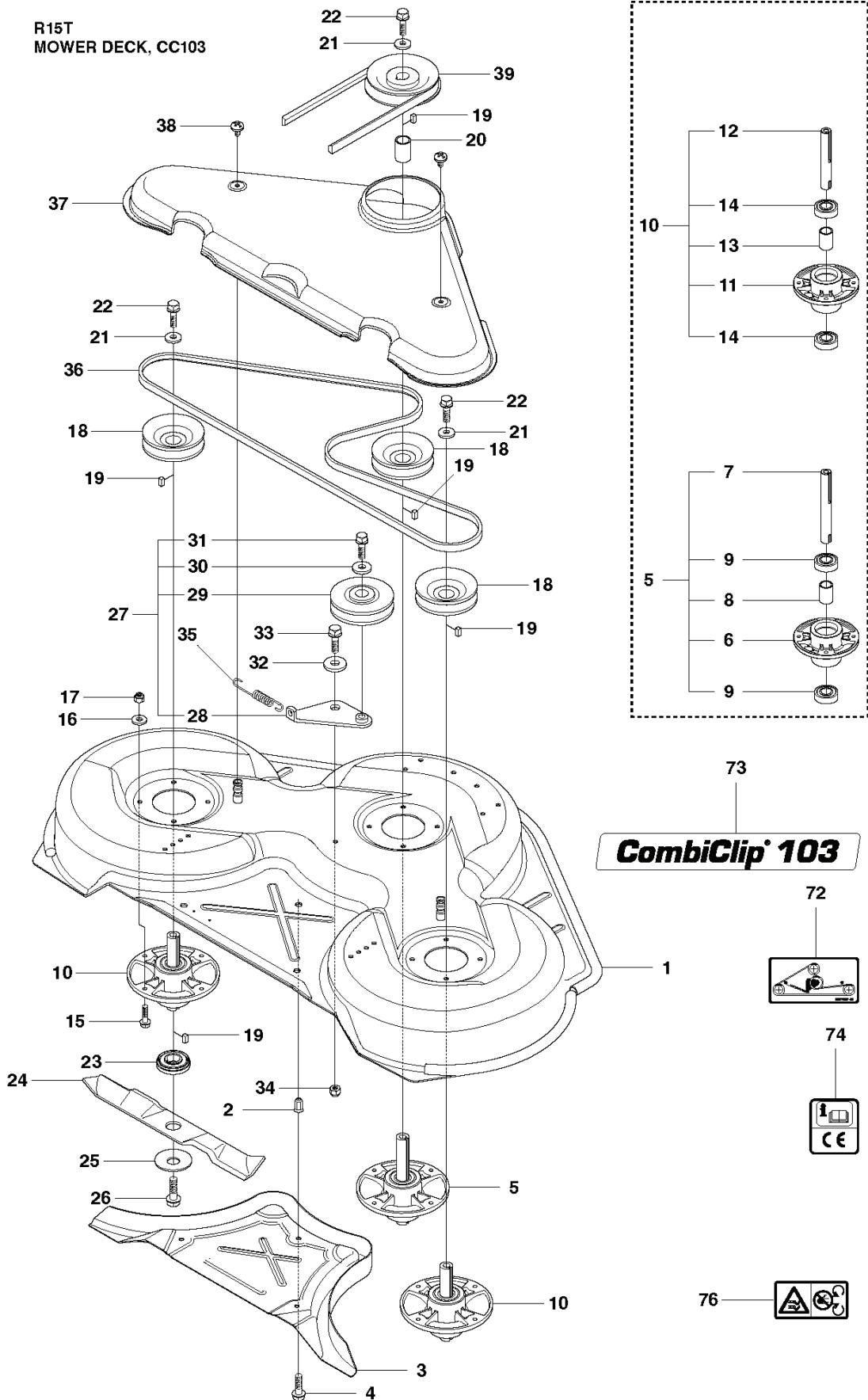


| REF. | PART NO. | DESCRIPTION | REMARK | QTY. | KIT |
|------|-----------|----------------|--------|------|-----|
| 1 | 535501401 | CONTROL PLATE | | 1 | |
| 2 | 506570103 | SCREW EHHFM | | 2 | |
| 3 | 504734501 | ADJUSTER | | 1 | |
| 4 | 506542001 | HANDLE | | 1 | |
| 5 | 506554301 | BEARING | | 2 | |
| 6 | 735312220 | E-CLIP | | 1 | |
| 7 | 506908201 | HEIGHT ROD | | 1 | |
| 8 | 506784601 | PEN | | 1 | |
| 9 | 734117201 | WASHER | | 1 | |
| 10 | 732211801 | LOCK NUT | | 1 | |
| 11 | 731231801 | HEXAGON NUT | | 1 | |
| 12 | 721618301 | SPLIT PIN | | 2 | |
| 13 | 525476001 | ADJUSTER | | 1 | |
| 14 | 735311520 | E-CLIP | | 1 | |
| 15 | 523114501 | CONNECTION ROD | | 1 | |



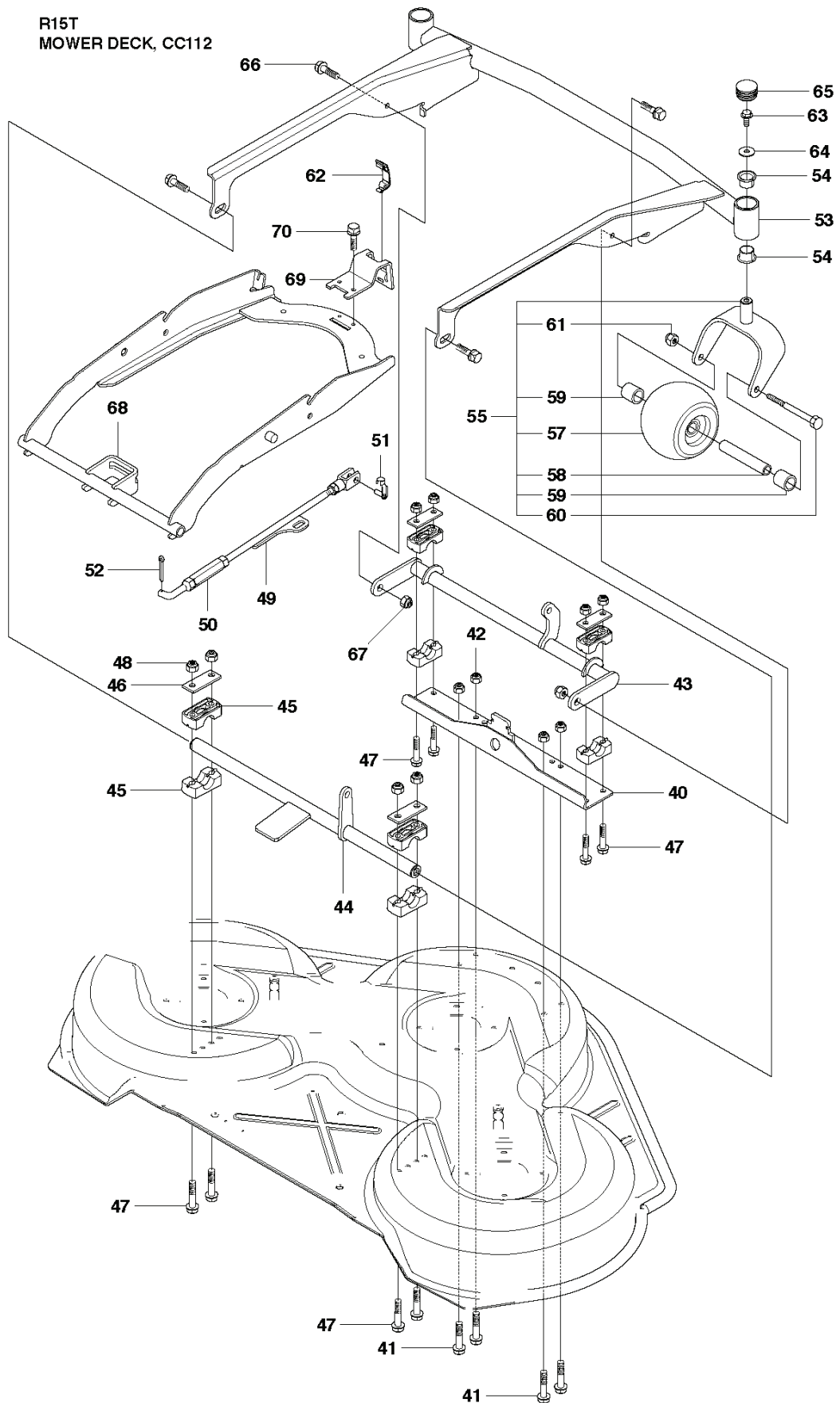
| REF. | PART NO. | DESCRIPTION | REMARK | QTY. | KIT |
|------|-----------|---------------------|--------|------|-----|
| 1 | 506986301 | TRANSMISSION | | 1 | |
| 2 | 506986501 | SPRING WASHER | | 1 | |
| 3 | 506986601 | DISTANCE | | 2 | |
| 4 | 502451901 | PULLEY | | 1 | |
| 5 | 506986801 | FAN | | 1 | |
| 6 | 735311500 | CIRCLIP | | 1 | |
| 7 | 502451601 | TUBE | | 1 | |
| 8 | 506987001 | HOSE CLAMP | | 2 | |
| 9 | 535402807 | CLIP | | 1 | 1 |
| 10 | 535402832 | PLUG | | 1 | 1 |
| 11 | 535402829 | MAGNET | | 1 | 1 |
| 12 | 535402830 | HOLDER | | 1 | 1 |
| 13 | 535402837 | SEALING | | 2 | 1 |
| 14 | 502453201 | CONTROL LEVER | | 1 | 1 |
| 15 | 535402809 | PIN RETAINING SCREW | | 1 | 1 |
| 16 | 535402817 | LEVER | | 1 | 1 |
| 17 | 535402816 | PIN RETAINING SCREW | | 1 | 1 |
| 18 | 535402833 | PIN RETAINING SCREW | | 1 | 1 |
| 19 | 535402838 | LEVER | | 1 | 1 |
| 20 | 535402839 | SPRING | | 1 | 1 |
| 21 | 535402840 | PIN RETAINING SCREW | | 1 | 1 |
| 22 | 535402841 | PIN | | 1 | 1 |

R15T
MOWER DECK, CC103

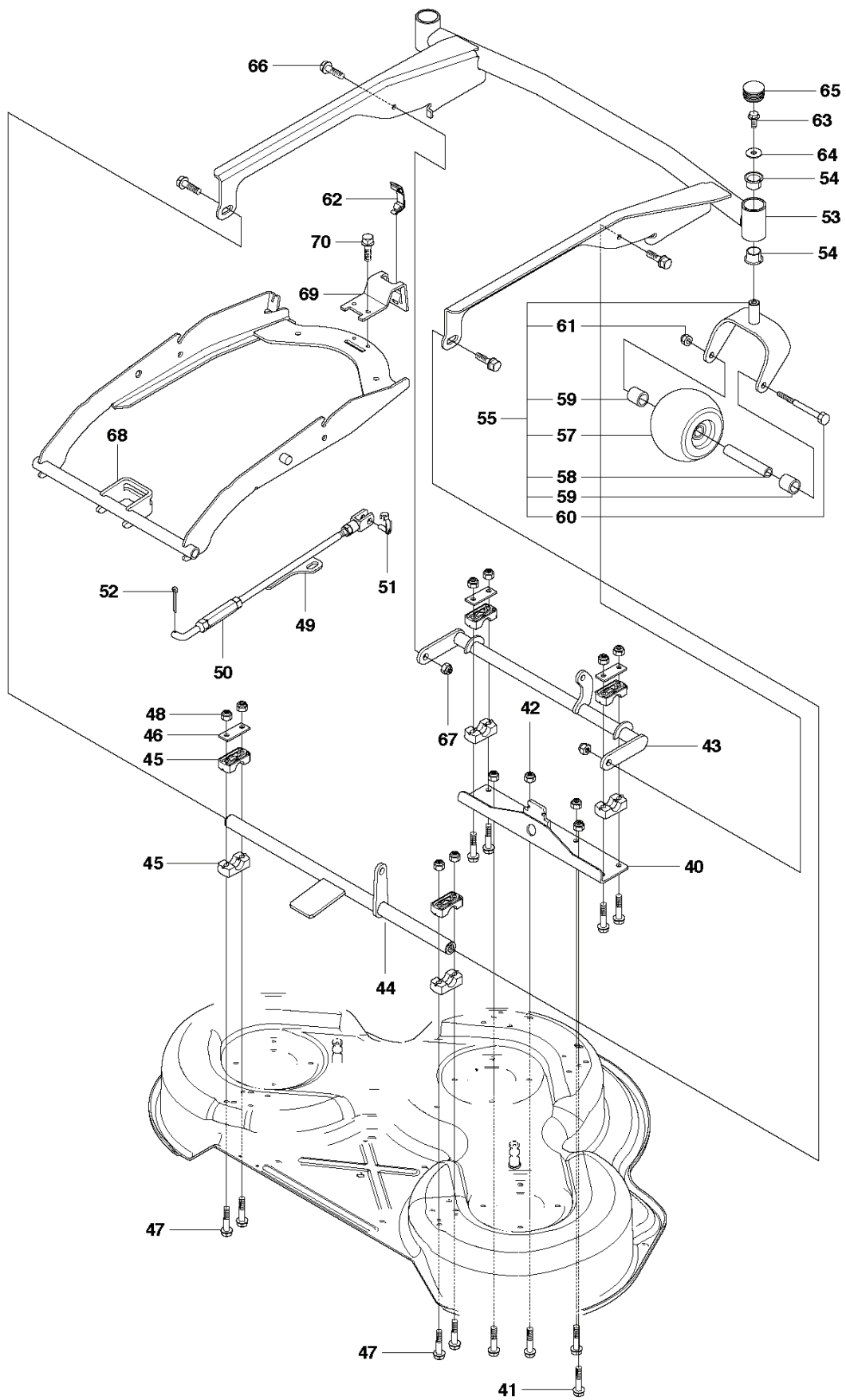


| REF. | PART NO. | DESCRIPTION | REMARK | QTY. | KIT |
|------|-----------|---------------------|--------|------|-----|
| 1 | 574210801 | CUTTING DECK | | 1 | |
| 2 | 506916201 | NUT | | 1 | |
| 3 | 544449201 | PLUG | | 1 | |
| 4 | 506570104 | SCREW EHHFM | | 1 | |
| 5 | 544065902 | BLADE HOUSING ASSY | | 1 | |
| 6 | 544067801 | BEARING HOUSING | | 1 | 5 |
| 7 | 544067901 | SHAFT | | 1 | 5 |
| 8 | 544068001 | SPACING SLEEVE | | 1 | 5 |
| 9 | 738230434 | BALL BEARING | | 2 | 5 |
| 10 | 544065901 | BLADE HOUSING ASSY | | 2 | |
| 11 | 544067801 | BEARING HOUSING | | 1 | 10 |
| 12 | 535428702 | SHAFT | | 1 | 10 |
| 13 | 535428801 | SPACER | | 1 | 10 |
| 14 | 738230434 | BALL BEARING | | 2 | 10 |
| 15 | 535423801 | SCREW RSQM | | 12 | |
| 16 | 734116401 | WASHER | | 12 | |
| 17 | 732211801 | LOCK NUT | | 12 | |
| 18 | 506922101 | PULLEY | | 3 | |
| 19 | 506533501 | PARALLEL KEY | | 7 | |
| 20 | 544068002 | SPACING SLEEVE | | 1 | |
| 21 | 734117441 | WASHER | | 3 | |
| 22 | 544114101 | SCREW EHHM | | 3 | |
| 23 | 535504202 | ADAPTER | | 3 | |
| 24 | 504188210 | BLADE | | 3 | |
| 25 | 506792301 | KNIFE PLATE | | 3 | |
| 26 | 544114101 | SCREW EHHM | | 3 | |
| 27 | 506540701 | BELT TENSIONER ASSY | | 1 | |
| 28 | 506519501 | SPÄNNARM KPL. | | 1 | 27 |
| 29 | 506532701 | PULLEY | | 1 | 27 |
| 30 | 734116441 | WASHER | | 1 | 27 |
| 31 | 506558302 | SCREW EHHFT | | 1 | 27 |
| 32 | 506918702 | WASHER | | 1 | |
| 33 | 725245171 | SCREW EHHM | | 1 | |
| 34 | 732211801 | LOCK NUT | | 1 | |
| 35 | 506533101 | SPRING | | 1 | |
| 36 | 589530601 | BELT | | 1 | |
| 37 | 544096101 | BELT COVER | | 1 | |
| 38 | 544400501 | SCREW | | 2 | |
| 39 | 506778601 | PULLEY | | 1 | |
| 72 | 506789701 | LABEL | | 1 | |
| 73 | 574210302 | DECAL | | 1 | |
| 74 | 506929001 | LABEL | | 1 | |
| 76 | 574510001 | DECAL | | 1 | |

R15T
MOWER DECK, CC112

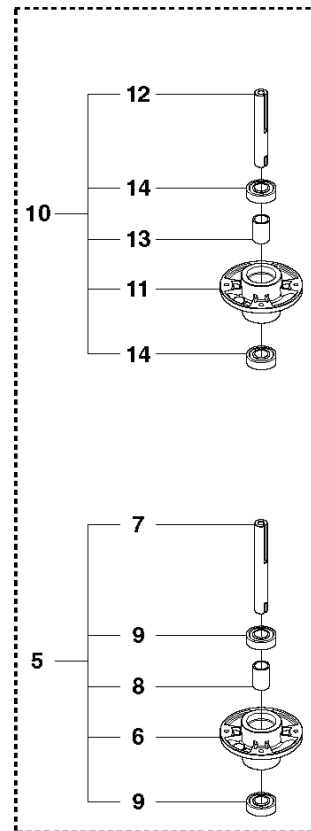
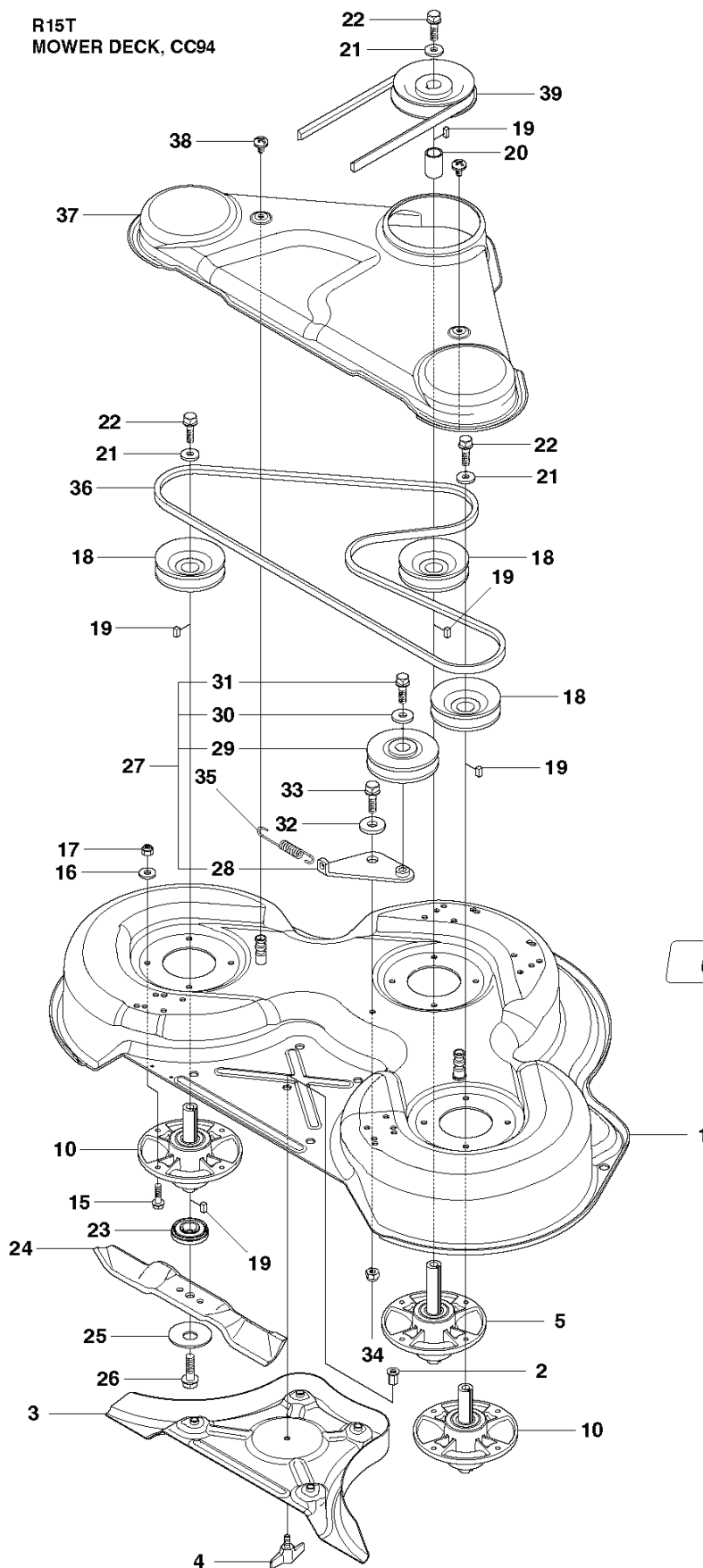


| REF. | PART NO. | DESCRIPTION | REMARK | QTY. | KIT |
|------|-----------|-------------------|--------|------|-----|
| 40 | 523095301 | BRACKET | | 1 | |
| 41 | 725245171 | SCREW EHHM | | 4 | |
| 42 | 732211801 | LOCK NUT | | 4 | |
| 43 | 502641802 | CROSS BAR | | 1 | |
| 44 | 523094503 | CROSS BAR | | 1 | |
| 45 | 506869601 | BEARING | | 8 | |
| 46 | 506813801 | REINFORCING PLATE | | 4 | |
| 47 | 725246151 | SCREW EHHM | | 8 | |
| 48 | 732211801 | LOCK NUT | | 8 | |
| 49 | 523114201 | PARALLEL ROD ASSY | | 1 | |
| 50 | 502642301 | PARALLEL ROD | | 1 | |
| 51 | 506839801 | GAFFELLANK | | 1 | |
| 52 | 721618301 | SPLIT PIN | | 1 | |
| 53 | 523086503 | DECK FRAME | | 1 | |
| 54 | 574561901 | BEARING | | 4 | |
| 55 | 574210101 | PIVOT WHEEL ASSY | | 2 | |
| 57 | 506963001 | WHEEL ASSY | | 1 | 55 |
| 58 | 506810802 | TUBE | | 1 | 55 |
| 59 | 506874102 | SPACER | | 2 | 55 |
| 60 | 725251951 | SCREW EHHM | | 1 | 55 |
| 61 | 732212051 | NUT | | 1 | 55 |
| 62 | 503894703 | SNAP LOCKING | | 1 | |
| 63 | 506570104 | SCREW EHHFM | | 2 | |
| 64 | 734116441 | WASHER | | 2 | |
| 65 | 574034801 | PLUG | | 2 | |
| 66 | 506597401 | SCREW EHHFM | | 4 | |
| 67 | 732211801 | LOCK NUT | | 2 | |
| 68 | 523087501 | DECK ATTACHMENT | | 1 | |
| 69 | 523114601 | LOCK | | 1 | |
| 70 | 725236861 | SCREW EHHFT | | 2 | |

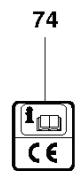
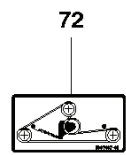


| REF. | PART NO. | DESCRIPTION | REMARK | QTY. | KIT |
|------|-----------|-------------------|--------|------|-----|
| 40 | 523095301 | BRACKET | | 1 | |
| 41 | 725245171 | SCREW EHHM | | 4 | |
| 42 | 732211801 | LOCK NUT | | 4 | |
| 43 | 502641802 | CROSS BAR | | 1 | |
| 44 | 523094501 | CROSS BAR | | 1 | |
| 45 | 506869601 | BEARING | | 8 | |
| 46 | 506813801 | REINFORCING PLATE | | 4 | |
| 47 | 725246151 | SCREW EHHM | | 8 | |
| 48 | 732211801 | LOCK NUT | | 8 | |
| 49 | 523114201 | PARALLEL ROD ASSY | | 1 | |
| 50 | 502642301 | PARALLEL ROD | | 1 | |
| 51 | 506839801 | GAFFELLANK | | 1 | |
| 52 | 721618301 | SPLIT PIN | | 1 | |
| 53 | 523086501 | DECK FRAME | | 1 | |
| 54 | 574561901 | BEARING | | 4 | |
| 55 | 574210101 | PIVOT WHEEL ASSY | | 2 | |
| 57 | 506963001 | WHEEL ASSY | | 1 | 55 |
| 58 | 506810802 | TUBE | | 1 | 55 |
| 59 | 506874102 | SPACER | | 2 | 55 |
| 60 | 725251951 | SCREW EHHM | | 1 | 55 |
| 61 | 732212051 | NUT | | 1 | 55 |
| 62 | 503894703 | SNAP LOCKING | | 2 | |
| 63 | 506570104 | SCREW EHHFM | | 2 | |
| 64 | 734116441 | WASHER | | 2 | |
| 65 | 574034801 | PLUG | | 2 | |
| 66 | 506597401 | SCREW EHHFM | | 4 | |
| 67 | 732211801 | LOCK NUT | | 2 | |
| 68 | 523087501 | DECK ATTACHMENT | | 1 | |
| 69 | 523114601 | LOCK | | 1 | |
| 70 | 725236861 | SCREW EHHFT | | 2 | |

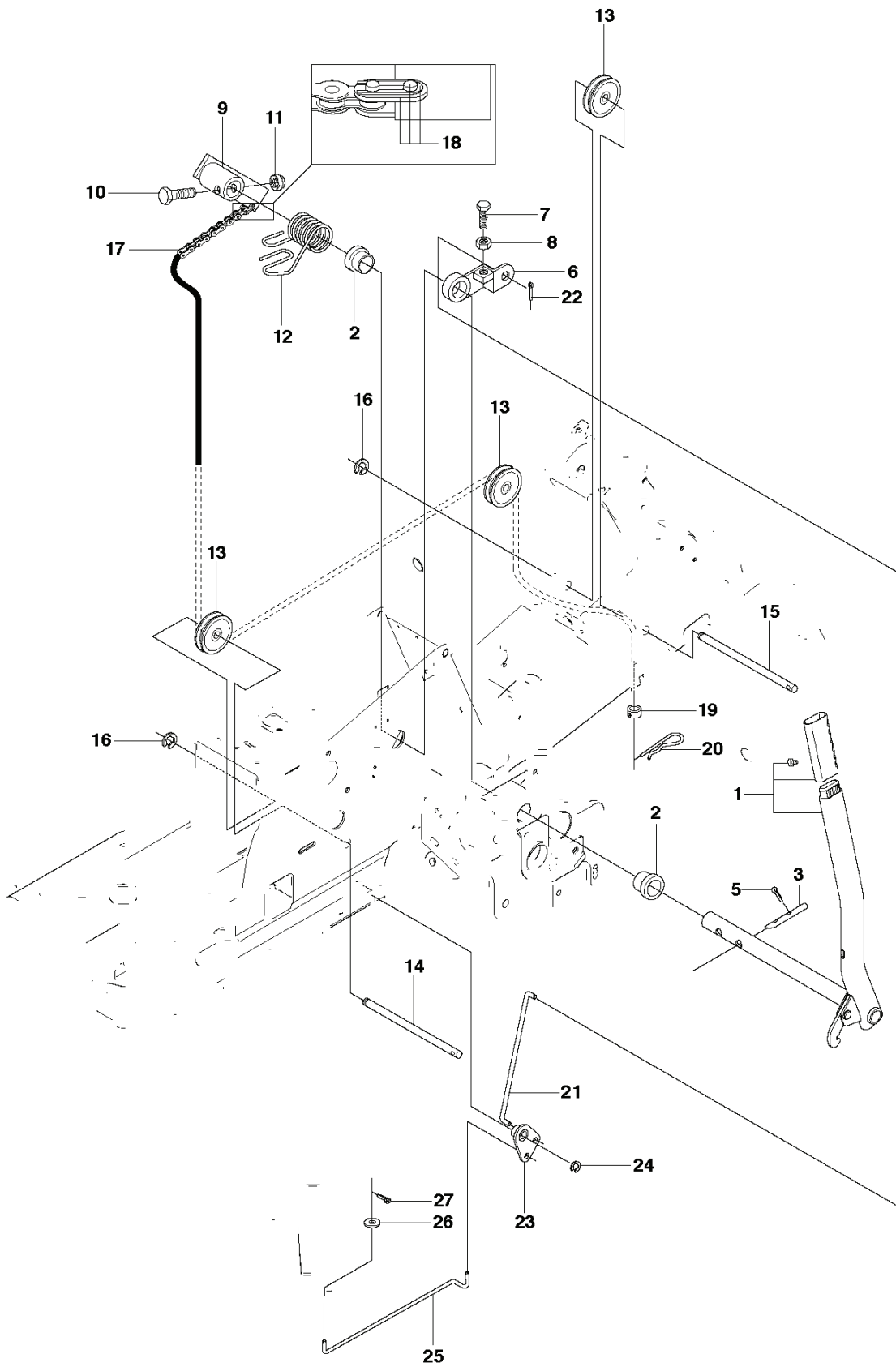
R15T
MOWER DECK, CC94



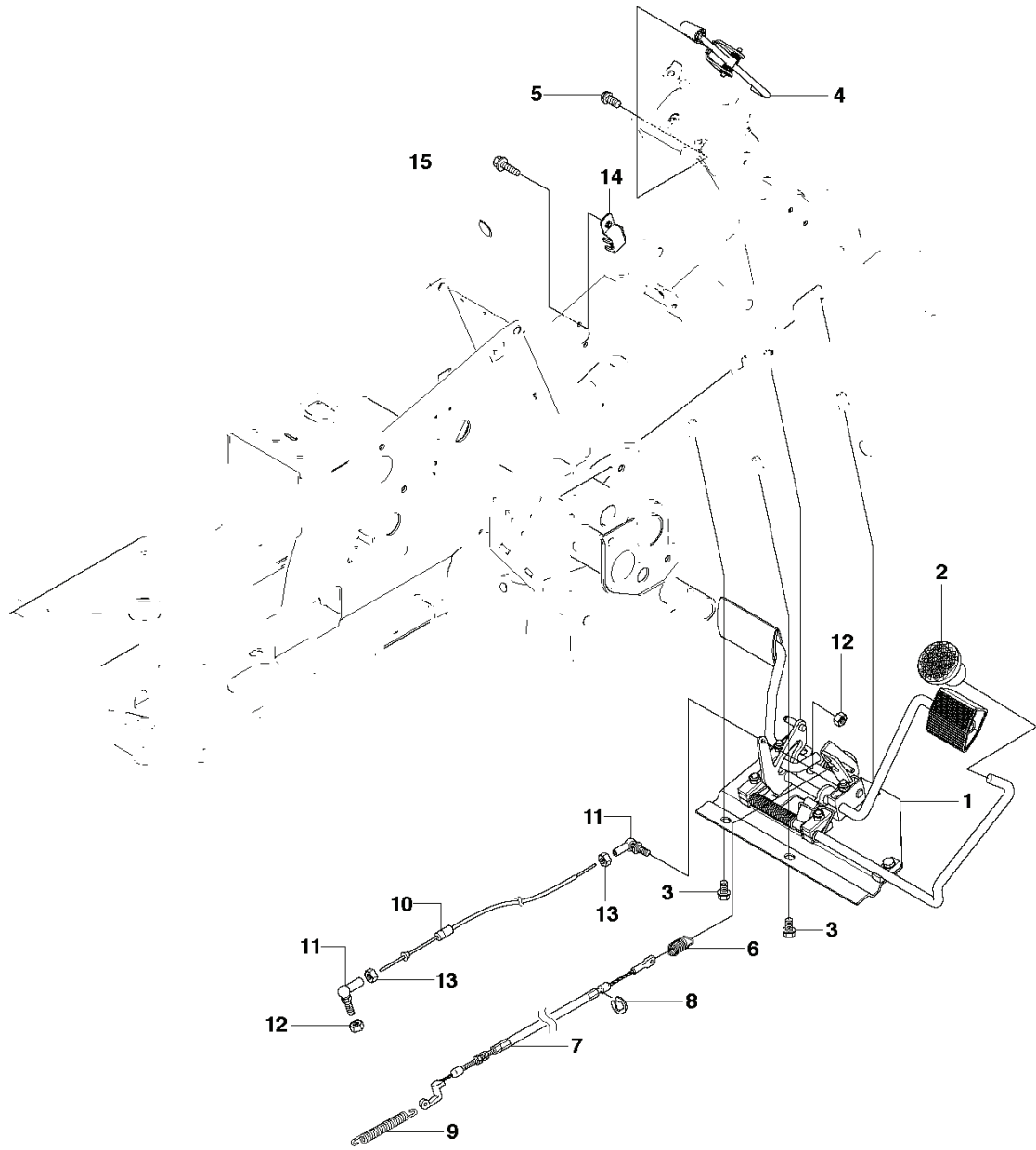
73
CombiClip® 94



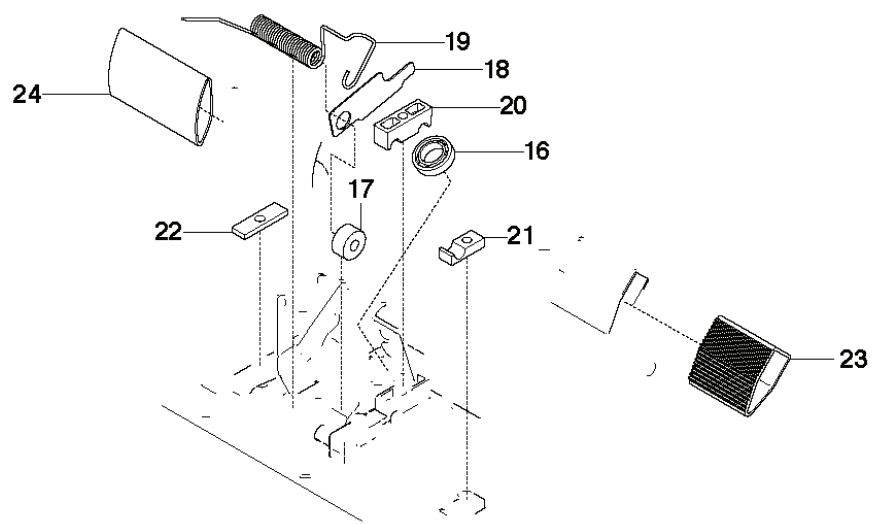
| REF. | PART NO. | DESCRIPTION | REMARK | QTY. | KIT |
|------|-----------|---------------------|--------|------|-----|
| 1 | 544065701 | CUTTING DECK | | 1 | |
| 2 | 506916201 | NUT | | 1 | |
| 3 | 544065801 | PLUG | | 1 | |
| 4 | 544066101 | KNOB | | 1 | |
| 5 | 544065902 | BLADE HOUSING ASSY | | 1 | |
| 6 | 544067801 | BEARING HOUSING | | 1 | 5 |
| 7 | 544067901 | SHAFT | | 1 | 5 |
| 8 | 544068001 | SPACING SLEEVE | | 1 | 5 |
| 9 | 738230434 | BALL BEARING | | 2 | 5 |
| 10 | 544065901 | BLADE HOUSING ASSY | | 2 | |
| 11 | 544067801 | BEARING HOUSING | | 1 | 10 |
| 12 | 535428702 | SHAFT | | 1 | 10 |
| 13 | 535428801 | SPACER | | 1 | 10 |
| 14 | 738220519 | BALL BEARING | | 2 | 10 |
| 15 | 535423801 | SCREW RSQM | | 12 | |
| 16 | 734116401 | WASHER | | 12 | |
| 17 | 732211801 | LOCK NUT | | 12 | |
| 18 | 506922101 | PULLEY | | 3 | |
| 19 | 506533501 | PARALLEL KEY | | 7 | |
| 20 | 544068002 | SPACING SLEEVE | | 1 | |
| 21 | 734117441 | WASHER | | 3 | |
| 22 | 544114101 | SCREW EHHM | | 3 | |
| 23 | 535504202 | ADAPTER | | 3 | |
| 24 | 579652510 | BLADE | | 3 | |
| 25 | 506792301 | KNIFE PLATE | | 3 | |
| 26 | 544114101 | SCREW EHHM | | 3 | |
| 27 | 506540701 | BELT TENSIONER ASSY | | 1 | |
| 28 | 506519501 | SPÄNNARM KPL. | | 1 | 27 |
| 29 | 506532701 | PULLEY | | 1 | 27 |
| 30 | 734116441 | WASHER | | 1 | 27 |
| 31 | 506558302 | SCREW EHHFT | | 1 | 27 |
| 32 | 506918702 | WASHER | | 1 | |
| 33 | 725245171 | SCREW EHHM | | 1 | |
| 34 | 732211801 | LOCK NUT | | 1 | |
| 35 | 506533101 | SPRING | | 1 | |
| 36 | 589530701 | BELT | | 1 | |
| 37 | 544066301 | BELT COVER | | 1 | |
| 38 | 544400501 | SCREW | | 2 | |
| 39 | 506778601 | PULLEY | | 1 | |
| 72 | 506789701 | LABEL | | 1 | |
| 73 | 574210301 | DECAL | | 1 | |
| 74 | 506929001 | LABEL | | 1 | |
| 76 | 574510001 | DECAL | | 1 | |



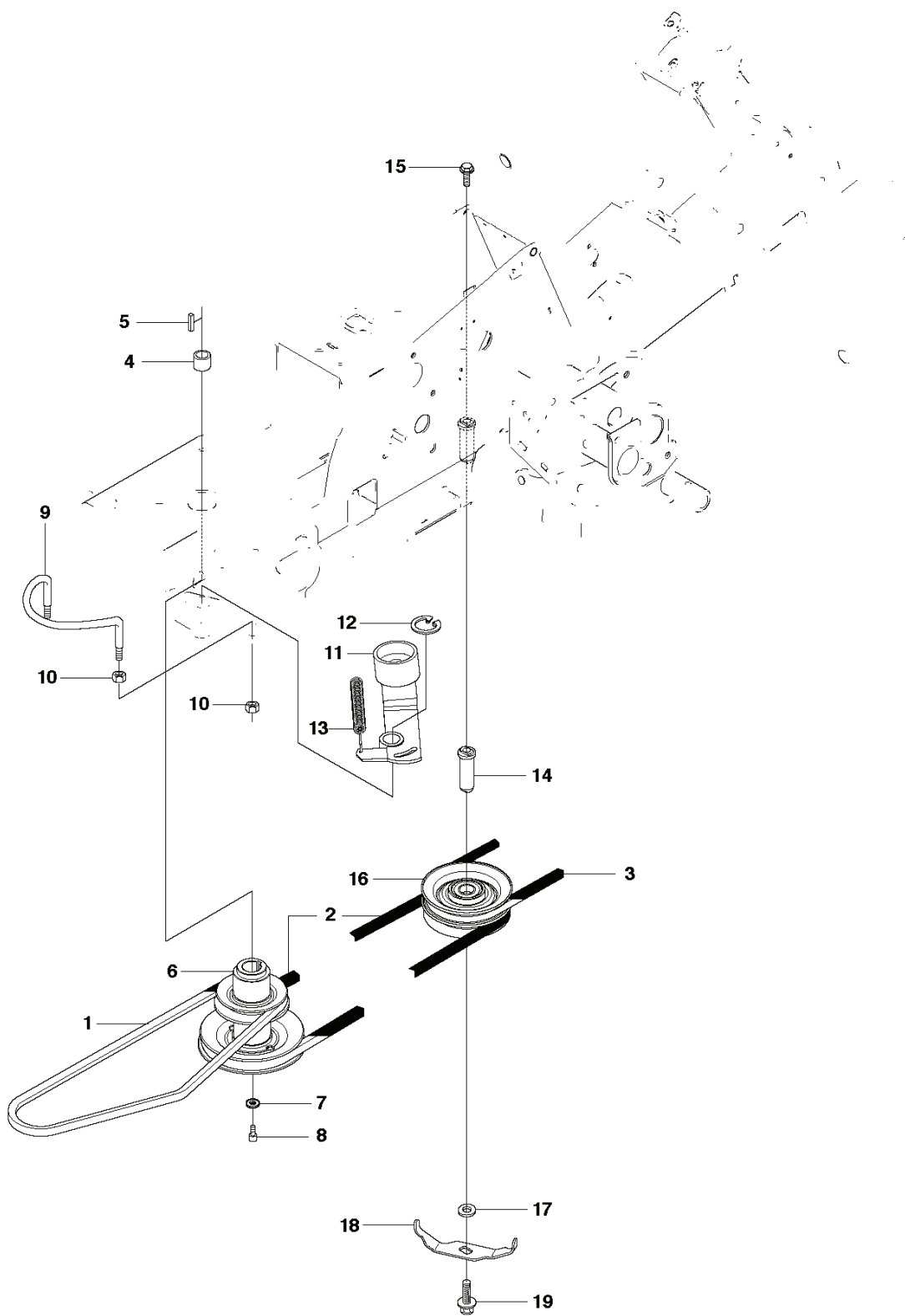
| REF. | PART NO. | DESCRIPTION | REMARK | QTY. | KIT |
|------|-----------|---------------------|--------|------|-----|
| 1 | 501018601 | LIFTING LEVER ASSY | | 1 | |
| 2 | 506556501 | BEARING | | 2 | |
| 3 | 525406601 | PEN | | 1 | |
| 5 | 721618301 | SPLIT PIN | | 1 | |
| 6 | 506784301 | LINK ASSY | | 1 | |
| 7 | 725249751 | SCREW | | 1 | |
| 8 | 731232051 | HEXAGON NUT | | 1 | |
| 9 | 544433601 | LIFTING ARM | | 1 | |
| 10 | 725254251 | SCREW EHHM | | 1 | |
| 11 | 732252201 | HEXAGON LOCKING NUT | | 1 | |
| 12 | 506916801 | SPRING | | 1 | |
| 13 | 506905601 | OFFSET PULLEY | | 2 | |
| 14 | 506905701 | SHAFT | | 1 | |
| 15 | 506905702 | SHAFT | | 1 | |
| 16 | 735311820 | E-CLIP | | 2 | |
| 17 | 506554607 | CHAIN | | 1 | |
| 18 | 506554701 | LINKAGE | | 1 | |
| 19 | 544934201 | CHAIN STOP | | 1 | |
| 20 | 506966601 | HAIR PIN COTTER | | 1 | |
| 21 | 544456901 | CONNECTION ROD | | 1 | |
| 22 | 721618301 | SPLIT PIN | | 1 | |
| 23 | 544378601 | LINK | | 1 | |
| 24 | 735311420 | E-CLIP | | 1 | |
| 25 | 544448801 | CONNECTION ROD | | 1 | |
| 26 | 734116441 | WASHER | | 1 | |
| 27 | 721618301 | SPLIT PIN | | 1 | |



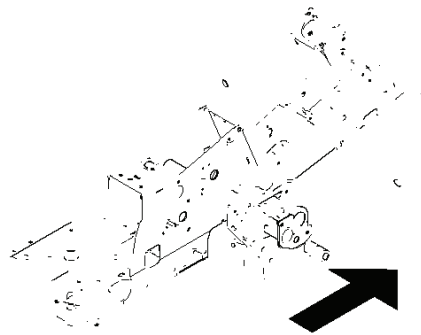
| REF. | PART NO. | DESCRIPTION | REMARK | QTY. | KIT |
|------|-----------|---------------------|--------|------|-----|
| 1 | 544126001 | PEDAL PLATE ASSY | | 1 | |
| 2 | 535473701 | KNOB | | 1 | |
| 3 | 506570104 | SCREW EHHFM | | 4 | |
| 4 | 544403101 | BRAKE LEVER ASSY | | 1 | |
| 5 | 725236461 | SCREW EHHFT | | 2 | |
| 6 | 506946301 | BRAKE SPRING | | 1 | |
| 7 | 506992701 | BRAKE WIRE | | 1 | |
| 8 | 735310920 | E-CLIP | | 1 | |
| 9 | 506535603 | DRAW SPRING | | 1 | |
| 10 | 574411101 | CONTROL CABLE | | 1 | |
| 11 | 506557301 | VINKELLAS8 DIN71802 | | 2 | |
| 12 | 732211401 | LOCK NUT | | 2 | |
| 13 | 731231401 | HEXAGON NUT | | 2 | |
| 14 | 522430801 | BRACKET | | 1 | |
| 15 | 725236461 | SCREW EHHFT | | 1 | |



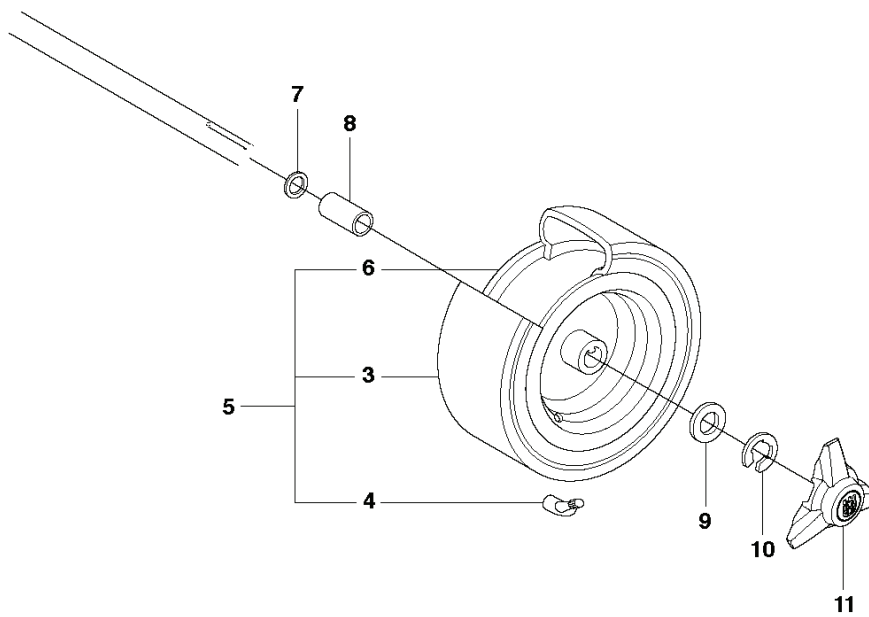
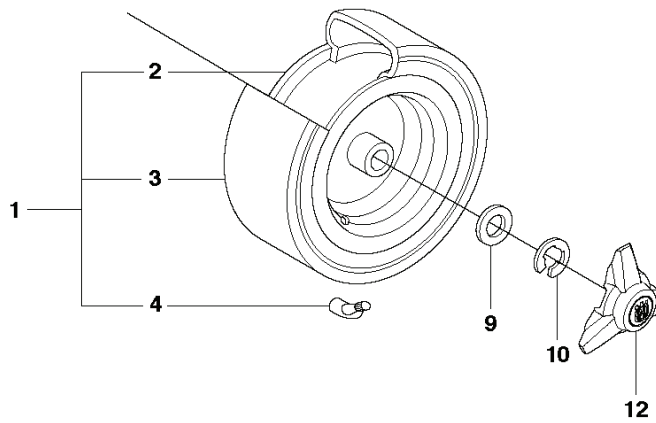
| REF. | PART NO. | DESCRIPTION | REMARK | QTY. | KIT |
|------|-----------|---------------------|--------|------|-----|
| 16 | 738210204 | BALL BEARING | | 1 | 1 |
| 17 | 535480201 | ROLLER | | 1 | 1 |
| 18 | 535480601 | PROTECTIVE PLATE | | 1 | 1 |
| 19 | 535480701 | SPRING | | 1 | 1 |
| 20 | 535480801 | BEARING SUPPORT | | 4 | 1 |
| 21 | 535480901 | BEARING SUPPORT | | 1 | 1 |
| 22 | 535481001 | REINFORCEMENT PLATE | | 1 | 1 |
| 23 | 535478801 | PEDAL | | 1 | 1 |
| 24 | 535478802 | PEDAL | | 1 | 1 |



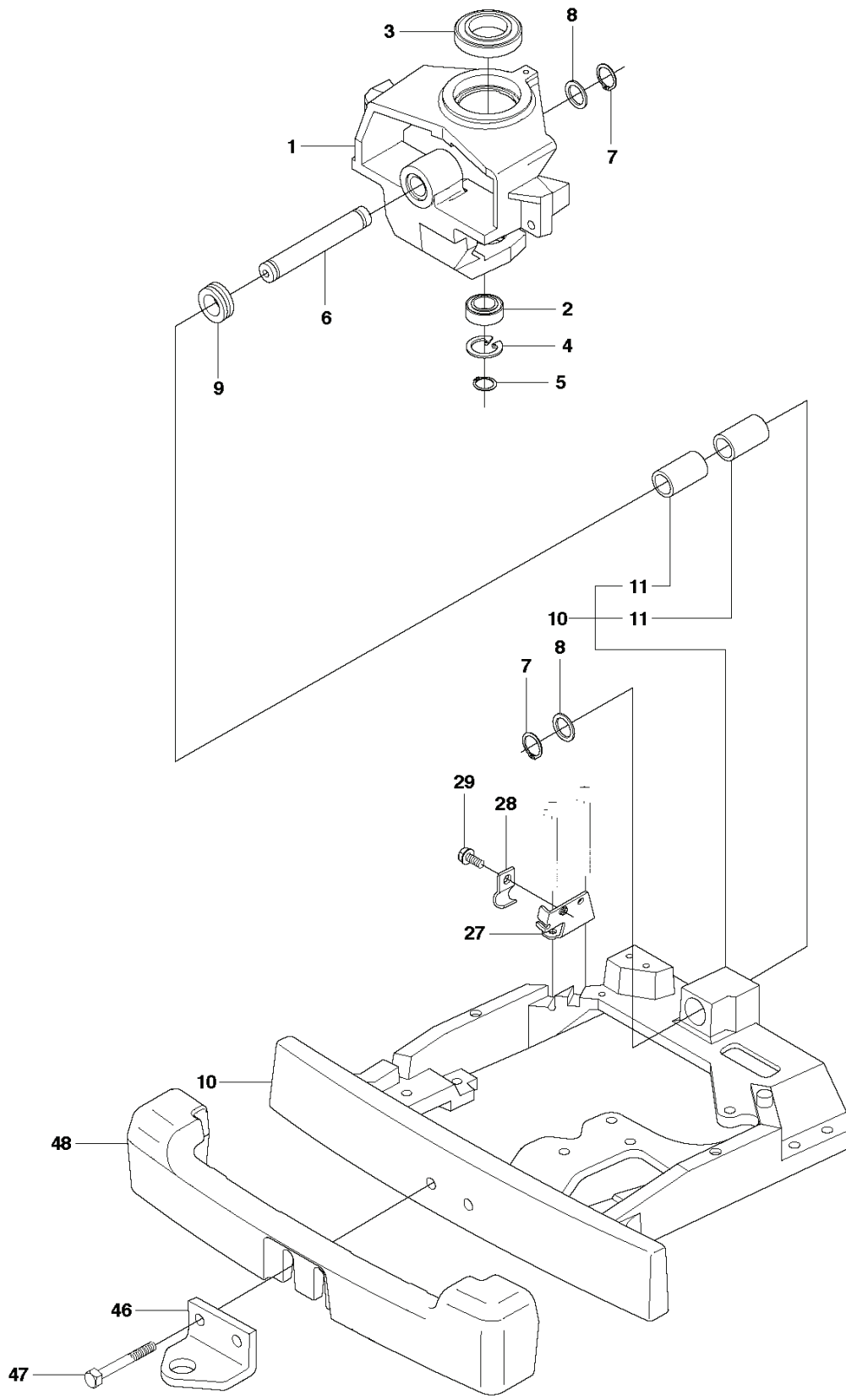
| REF. | PART NO. | DESCRIPTION | REMARK | QTY. | KIT |
|------|-----------|---------------------|--------|------|-----|
| 1 | 589531201 | BELT | | 1 | |
| 2 | 589530401 | BELT | | 1 | |
| 3 | 594978001 | BELT | | 1 | |
| 4 | 506509201 | SPACING SLEEVE | | 1 | |
| 5 | 506555901 | WEDGE | | 1 | |
| 6 | 535482401 | PULLEY | | 1 | |
| 7 | 506597501 | WASHER | | 1 | |
| 8 | 506556002 | SCREW UNC | | 1 | |
| 9 | 506664501 | BELT GUIDE | | 1 | |
| 10 | 731232051 | HEXAGON NUT | | 4 | |
| 11 | 535484401 | BELT TENSIONER ASSY | | 1 | |
| 12 | 735312600 | CIRCLIP | | 1 | |
| 13 | 506665601 | SPRING | | 1 | |
| 14 | 544426101 | SHAFT | | 1 | |
| 15 | 506675402 | SCREW EHHFM | | 1 | |
| 16 | 535482201 | PULLEY | | 1 | |
| 17 | 506775701 | WASHER | | 1 | |
| 18 | 544405301 | BELT GUIDE | | 1 | |
| 19 | 506570105 | SCREW EHHFM | | 1 | |



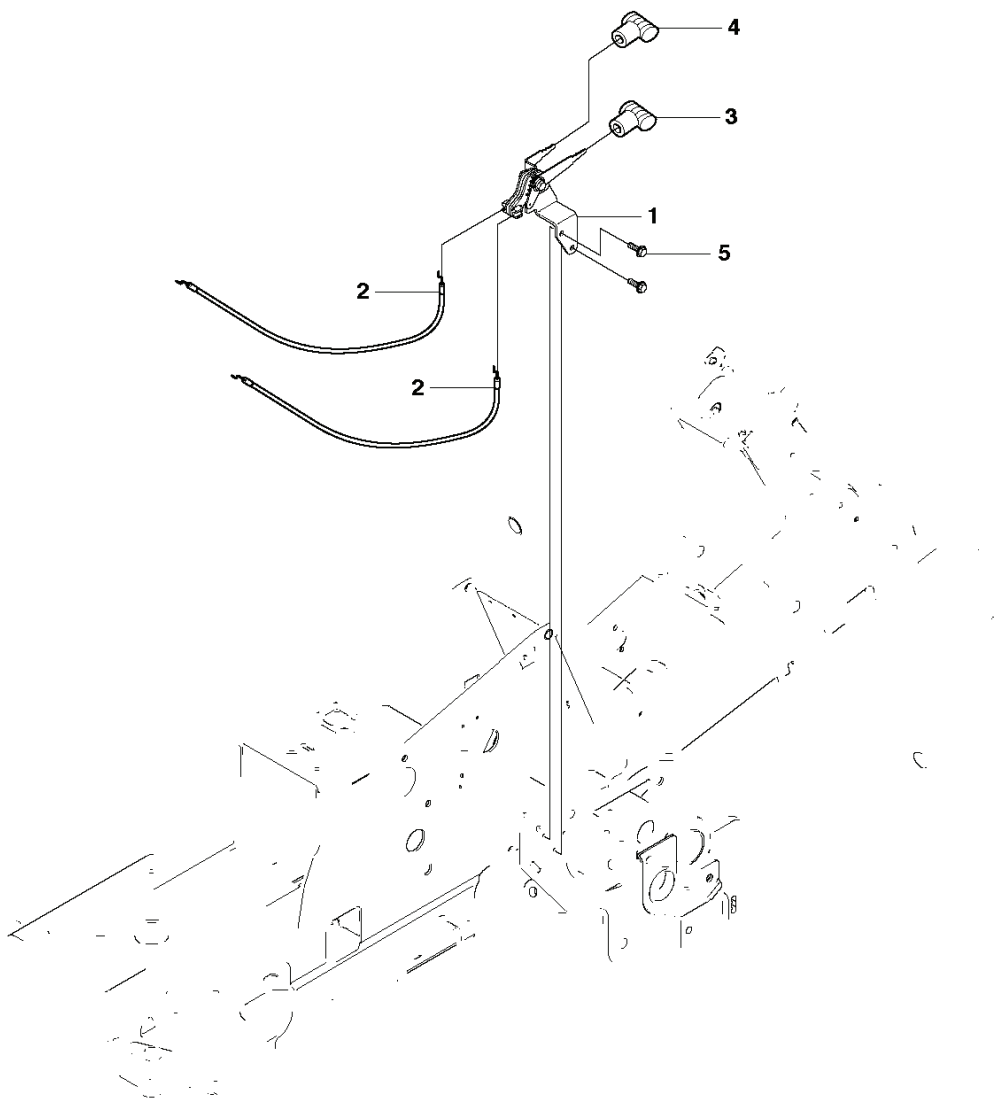
0



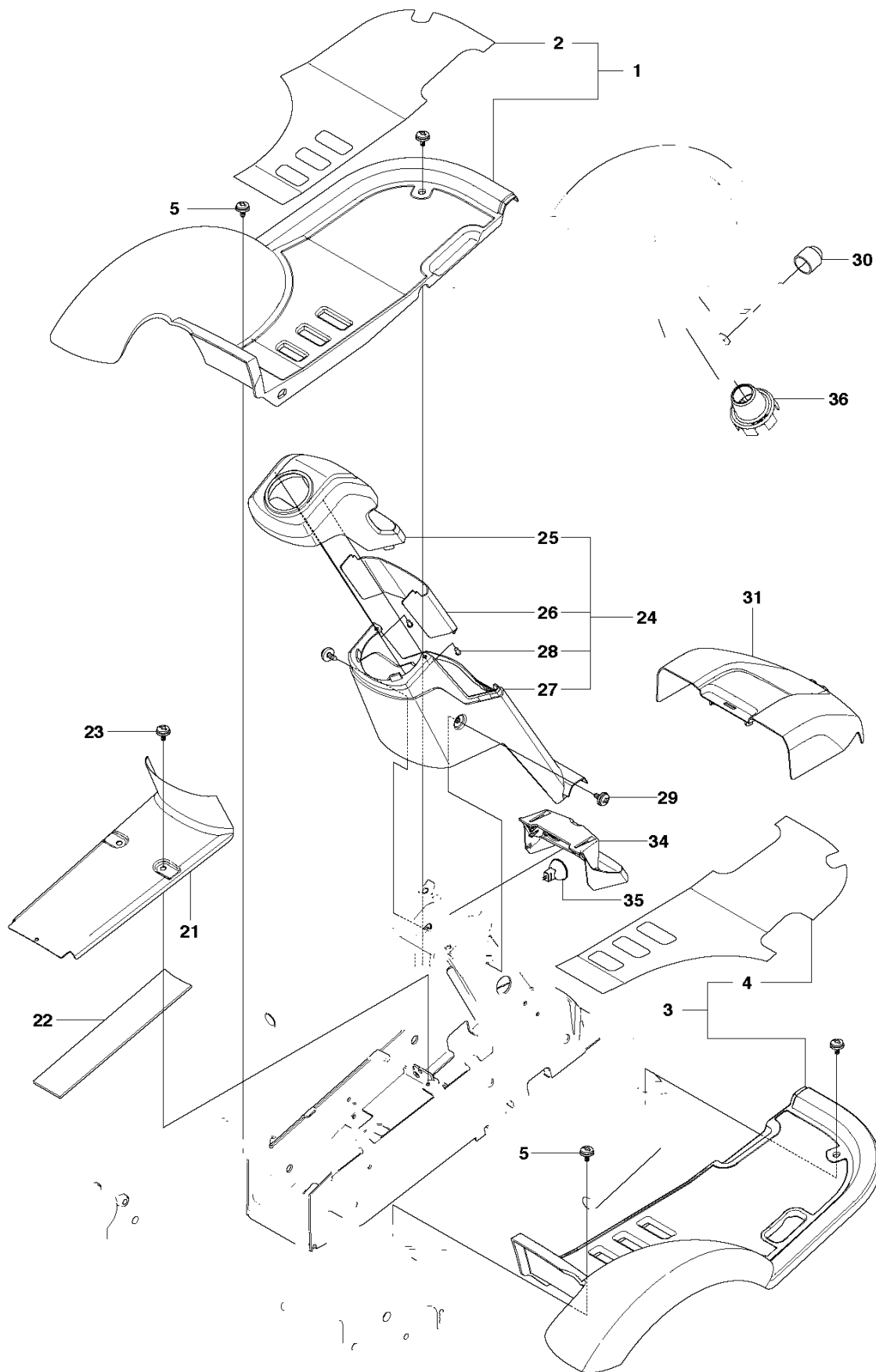
| REF. | PART NO. | DESCRIPTION | REMARK | QTY. | KIT |
|------|-----------|----------------|--------|------|-----|
| 1 | 523012202 | WHEEL | | 2 | |
| 2 | 523034501 | RIM | | 1 | 1 |
| 3 | 523034602 | TIRE | | 1 | 1.5 |
| 4 | 523034701 | VALVE | | 1 | 1.5 |
| 5 | 523012602 | WHEEL | | 2 | |
| 6 | 523034801 | RIM | | 1 | 5 |
| 7 | 506504805 | WASHER | | 4 | |
| 8 | 506596203 | SPACING SLEEVE | | 2 | |
| 9 | 506504803 | WASHER | | 2 | |
| 10 | 506899001 | E-CLIP | | 4 | |
| 11 | 544353502 | HUB CAP | | 2 | |
| 12 | 544353501 | HUB CAP | | 2 | |



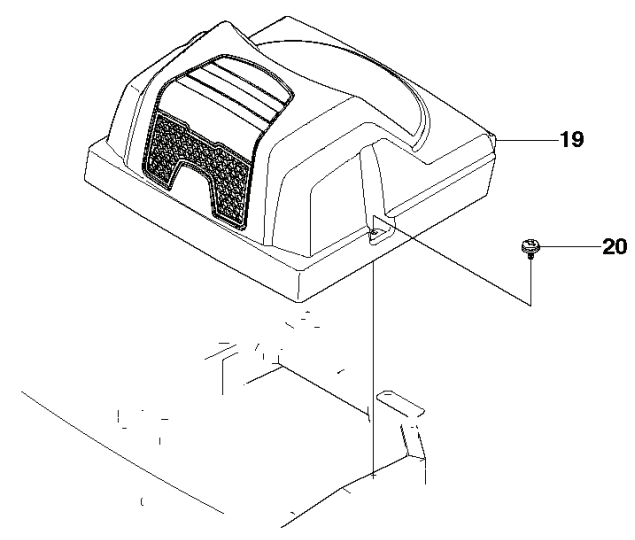
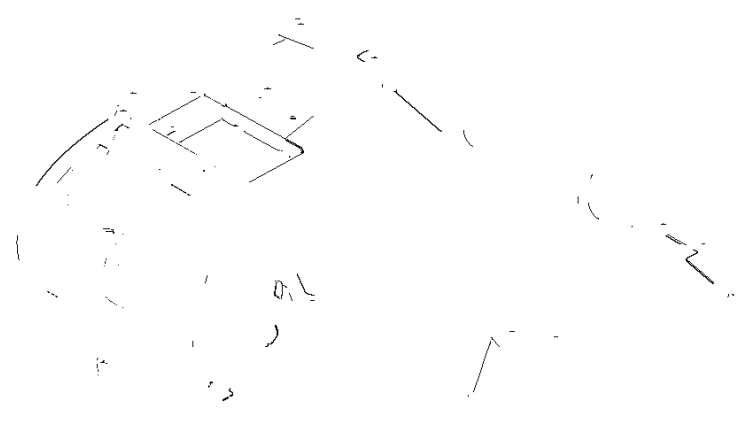
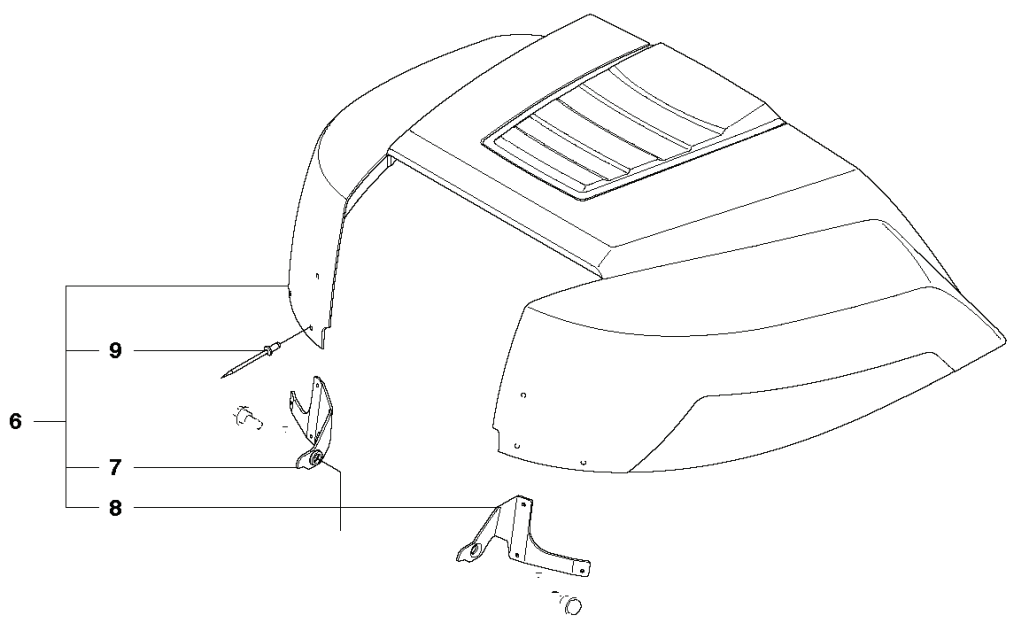
| REF. | PART NO. | DESCRIPTION | REMARK | QTY. | KIT |
|------|-----------|---------------|--------|------|-----|
| 1 | 506985803 | SPINDLE | | 1 | |
| 2 | 738210504 | BALL BEARING | | 1 | |
| 3 | 738211004 | BALL BEARING | | 1 | |
| 4 | 735314010 | CIRCLIP | | 1 | |
| 5 | 735312600 | CIRCLIP | | 1 | |
| 6 | 506985901 | SWING AXLE | | 1 | |
| 7 | 735312600 | CIRCLIP | | 2 | |
| 8 | 506773401 | WASHER | | 2 | |
| 9 | 740681421 | V-RING | | 1 | |
| 10 | 535406001 | BRACKET | | 1 | |
| 11 | 506986102 | GLIDLAGER | | 2 | 10 |
| 27 | 506987701 | BRACKET | | 1 | |
| 28 | 506566501 | CLIP | | 1 | |
| 29 | 725236461 | SCREW EHHFT | | 1 | |
| 46 | 506889901 | HITCH | | 1 | |
| 47 | 725250051 | SCREW EHHM | | 2 | |
| 48 | 544039602 | COUNTERWEIGHT | | 1 | |



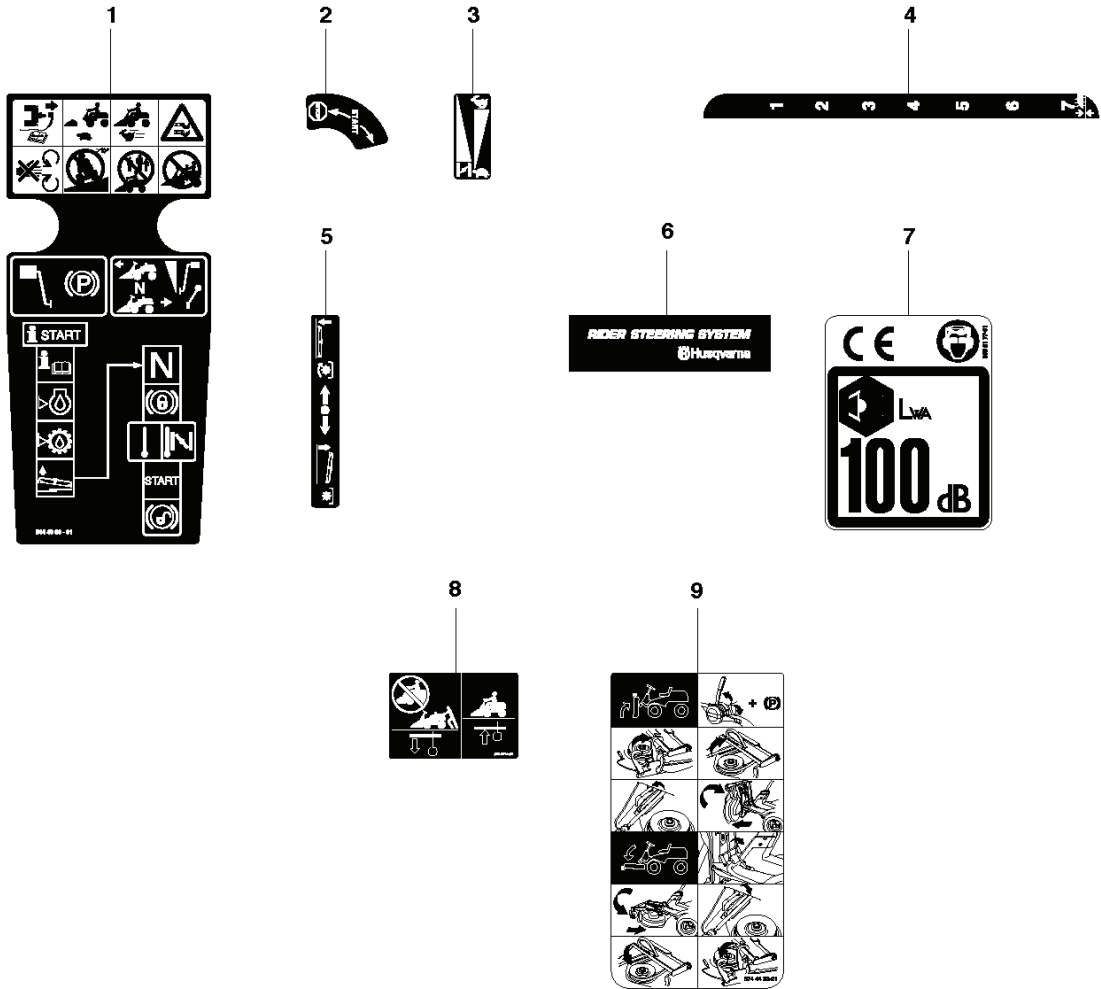
| REF. | PART NO. | DESCRIPTION | REMARK | QTY. | KIT |
|------|-----------|-----------------------|--------|------|-----|
| 1 | 544301601 | THROTTLE CONTROL ASSY | | 1 | |
| 2 | 544301702 | WIRE | | 2 | |
| 3 | 506889101 | KNOB | | 1 | |
| 4 | 506889102 | KNOB | | 1 | |
| 5 | 725236461 | SCREW EHHFT | | 2 | |



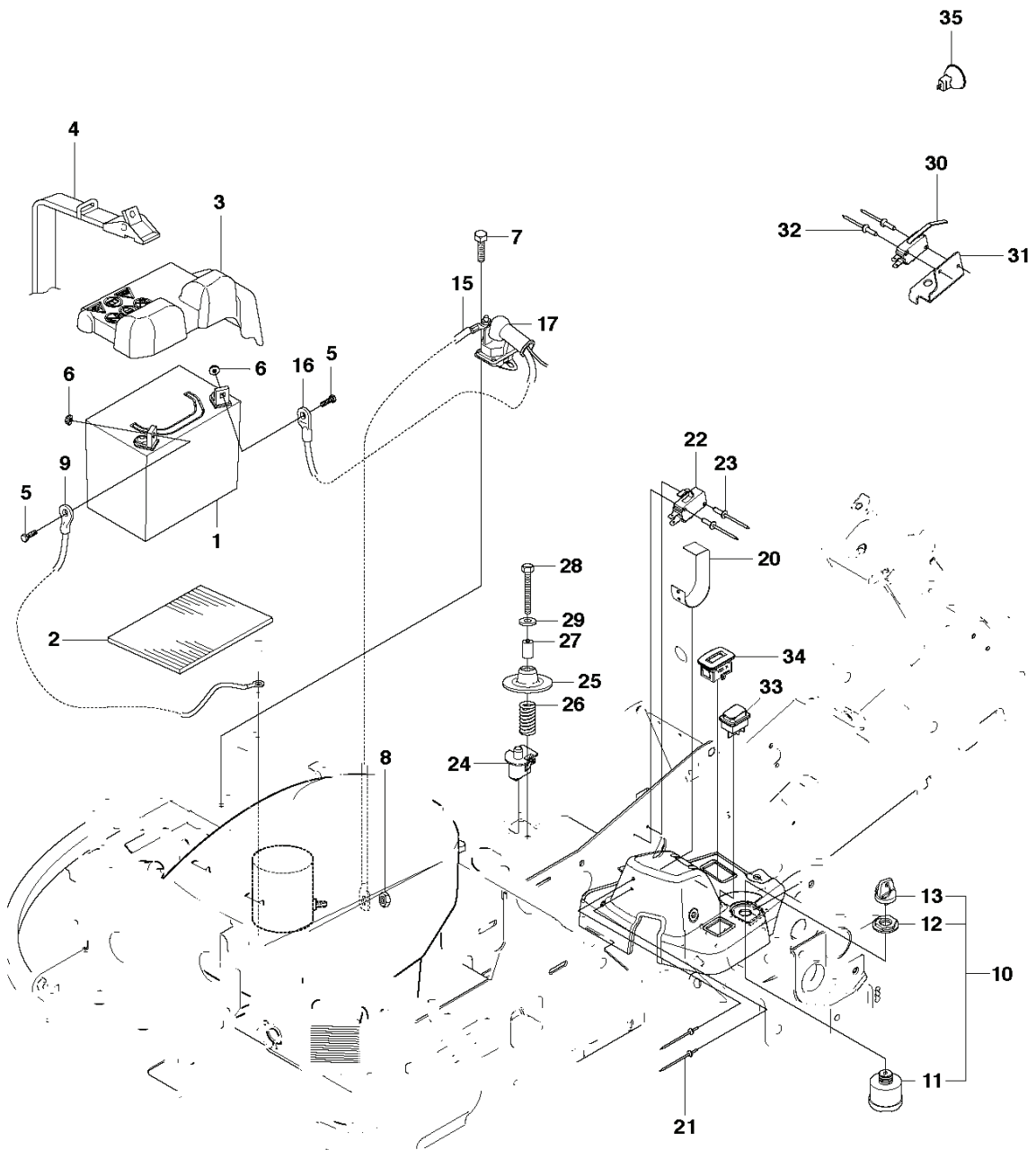
| REF. | PART NO. | DESCRIPTION | REMARK | QTY. | KIT |
|------|-----------|------------------|--------|------|-----|
| 1 | 544895901 | FOOT PLATE | | 1 | |
| 2 | 544248401 | MAT | | 1 | 1 |
| 3 | 544895903 | FOOT PLATE | | 1 | |
| 4 | 544248403 | MAT | | 1 | 3 |
| 5 | 544400501 | SCREW | | 4 | |
| 21 | 544239201 | COVER | | 1 | |
| 22 | 544427501 | MAT | | 1 | |
| 23 | 544400501 | SCREW | | 2 | |
| 24 | 502498201 | COVER | | 1 | |
| 25 | 502297501 | COVER | | 1 | 24 |
| 26 | 502465801 | LENS | | 1 | 24 |
| 27 | 502297601 | COVER | | 1 | 24 |
| 28 | 729532771 | SCREW CRPANT | | 2 | 24 |
| 29 | 544400501 | SCREW | | 2 | |
| 30 | 544433201 | PROTECTIVE COVER | | 1 | |
| 31 | 525562401 | UNIT COVER | | 1 | |
| 34 | 502300201 | LAMPHOLDER | | 1 | |
| 35 | 502466601 | LAMP | | 2 | |
| 36 | 535460501 | SEALING | | 1 | |



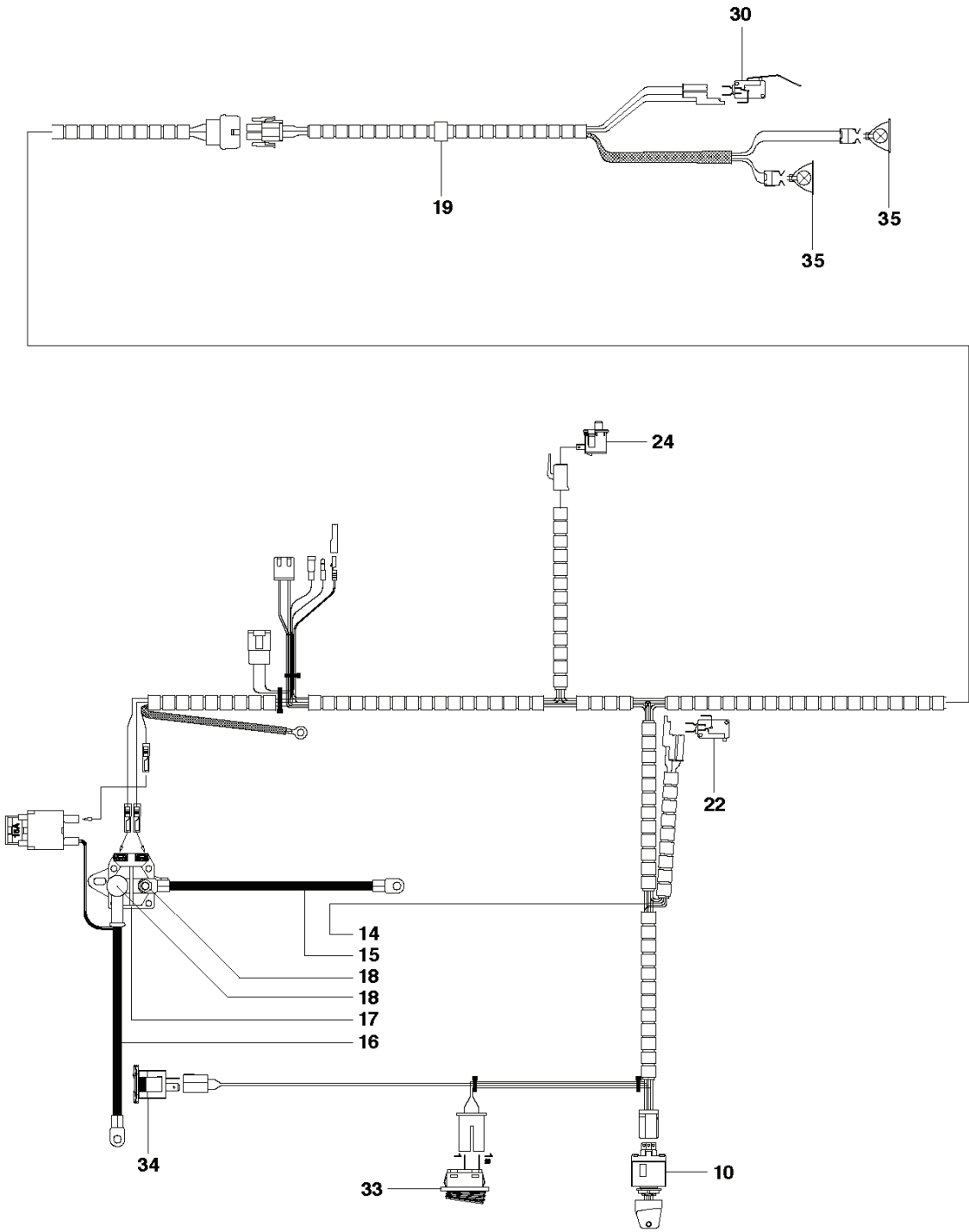
| REF. | PART NO. | DESCRIPTION | REMARK | QTY. | KIT |
|------|-----------|------------------|--------|------|-----|
| 6 | 544245003 | ENGINE HOOD ASSY | | 1 | |
| 7 | 544245101 | HINGE | | 1 | 6 |
| 8 | 544245102 | HINGE | | 1 | 6 |
| 9 | 722795402 | RIVET | | 6 | 6 |
| 19 | 574856101 | COVER | | 1 | |
| 20 | 574856201 | SCREW | | 2 | |



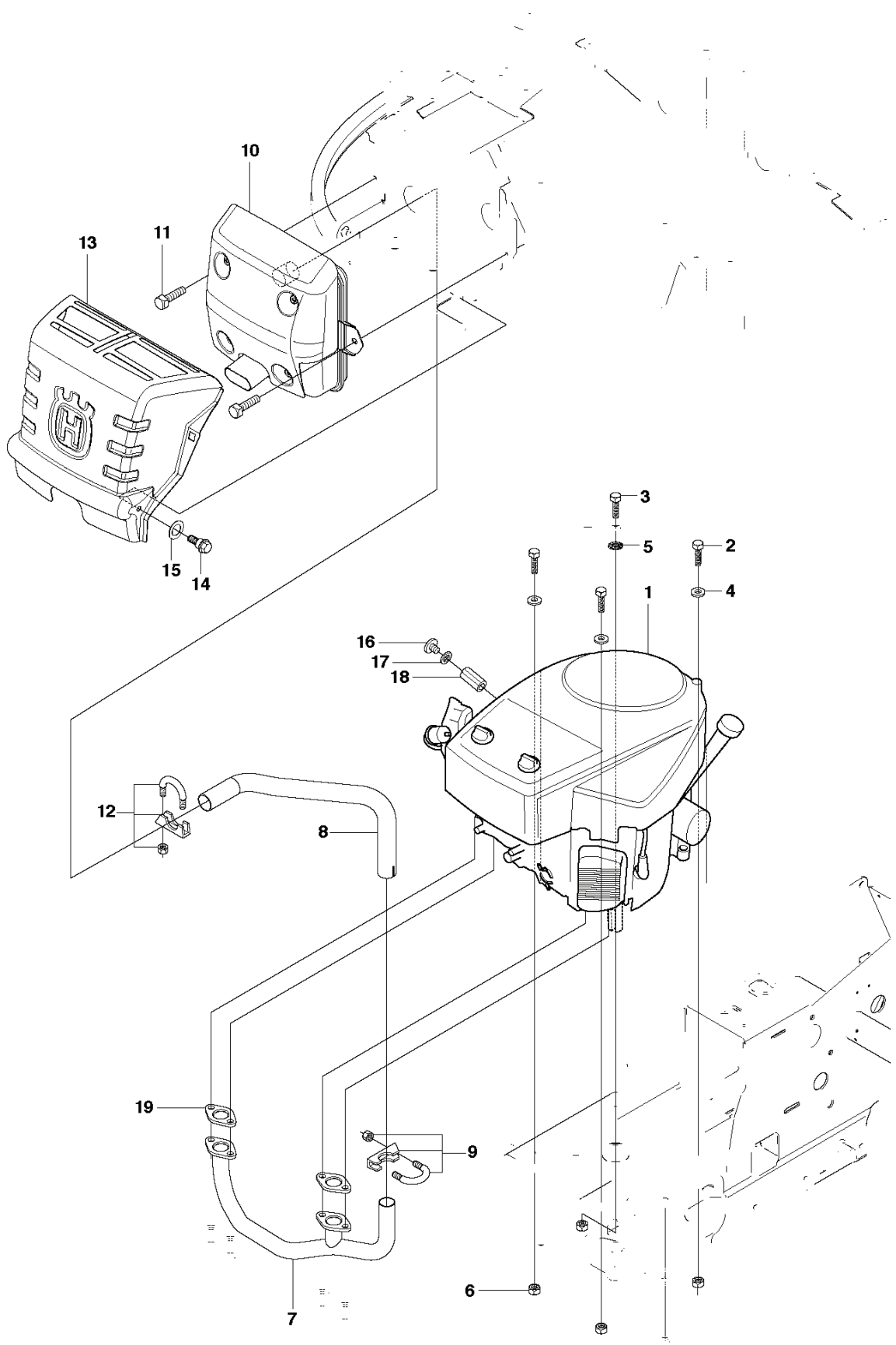
| REF. | PART NO. | DESCRIPTION | REMARK | QTY. | KIT |
|------|-----------|-------------|--------|------|-----|
| 1 | 544438601 | LABEL | | 1 | |
| 2 | 544438701 | LABEL | | 1 | |
| 3 | 544438901 | LABEL | | 1 | |
| 4 | 544439002 | LABEL | | 1 | |
| 5 | 544439201 | LABEL | | 1 | |
| 6 | 544833601 | LABEL | | 1 | |
| 7 | 505217701 | LABEL | | 1 | |
| 8 | 544211401 | LABEL | | 1 | |
| 9 | 574443201 | LABEL | | 1 | |
| 10 | 575226905 | DECAL | | 1 | |
| 11 | 575226906 | DECAL | | 1 | |



| REF. | PART NO. | DESCRIPTION | REMARK | QTY. | KIT |
|------|-----------|-----------------|--------|------|-----|
| 1 | 510138501 | BATTERY | | 1 | |
| 2 | 535441101 | BATTERY MAT | | 1 | |
| 3 | 510026901 | COVER | | 1 | |
| 4 | 506836802 | BELT | | 1 | |
| 5 | 522622101 | SCREW EHHM | | 1 | |
| 6 | 522624301 | NUT | | 1 | |
| 7 | 725236461 | SCREW EHHFT | | 1 | |
| 8 | 506899801 | NUT | | 1 | |
| 9 | 576183802 | CABLE | | 1 | |
| 10 | 544442101 | IGNITION SWITCH | | 1 | |
| 11 | 544442201 | IGNITION SWITCH | | 1 | 10 |
| 12 | 544442301 | NUT | | 1 | 10 |
| 13 | 544442401 | IGNITION KEY | | 1 | 10 |
| 15 | 544928601 | CABLE | | 1 | |
| 16 | 544926104 | CABLE | | 1 | |
| 17 | 544439801 | RELAY | | 1 | |
| 20 | 506909301 | PLATE SPRING | | 1 | |
| 21 | 722783902 | BLIND RIVET | | 2 | |
| 22 | 535469101 | SWITCH | | 1 | |
| 23 | 544440701 | RIVET | | 2 | |
| 24 | 506909601 | SWITCH | | 1 | |
| 25 | 506909701 | SPRING WASHER | | 1 | |
| 26 | 544441201 | SPRING | | 1 | |
| 27 | 506909902 | SPACING TUBE | | 1 | |
| 28 | 725246051 | SCREW EHHM | | 1 | |
| 29 | 734116401 | WASHER | | 1 | |
| 30 | 544415501 | SWITCH | | 1 | |
| 31 | 544415701 | BRACKET | | 1 | |
| 32 | 544440701 | RIVET | | 2 | |
| 35 | 502466601 | LAMP | | 2 | |
| 33 | 502655701 | SWITCH | | 1 | |
| 34 | 502653001 | HOUR METER | | 1 | |

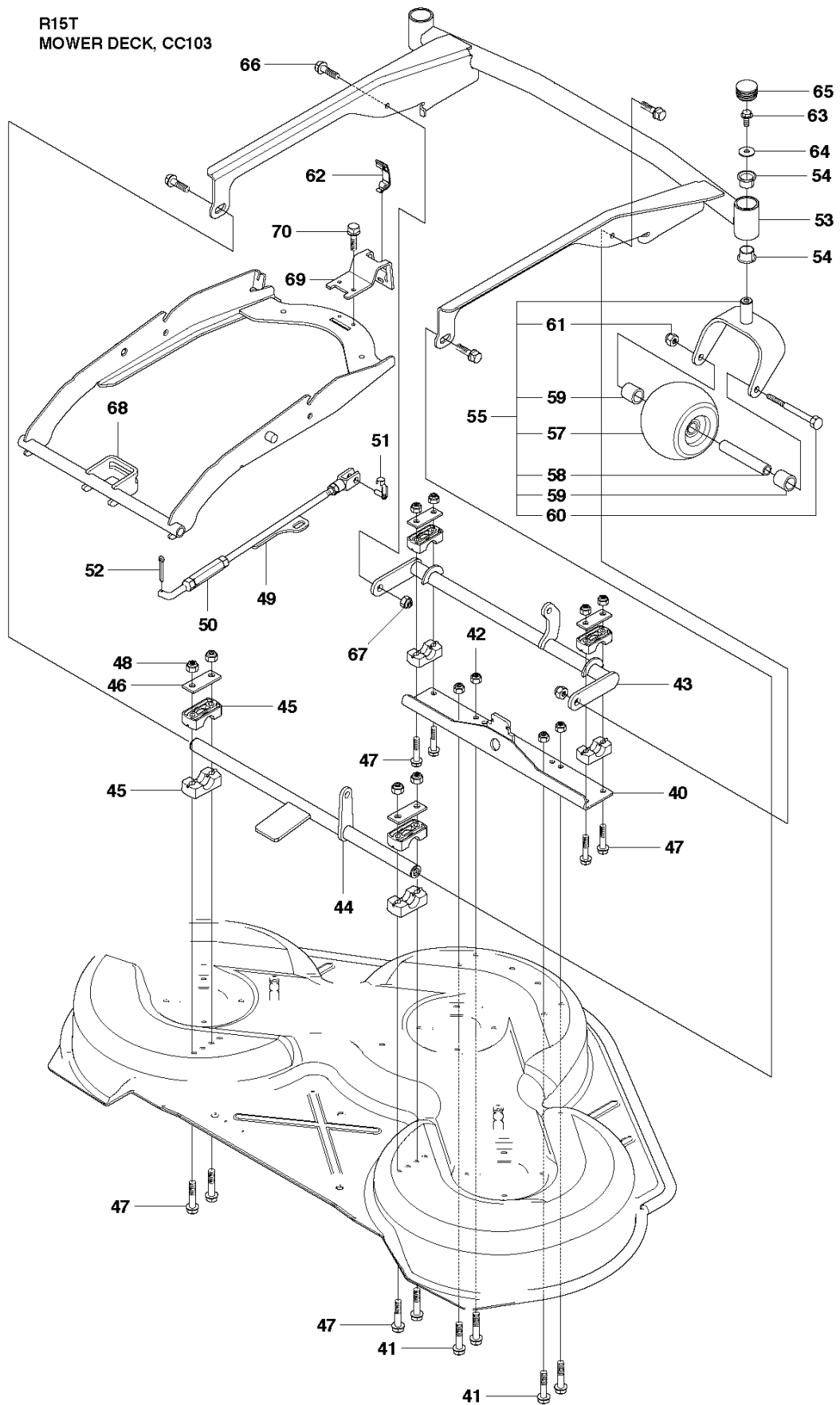


| REF. | PART NO. | DESCRIPTION | REMARK | QTY. | KIT |
|------|-----------|-----------------|--------|------|-----|
| 10 | 544442101 | IGNITION SWITCH | | 1 | |
| 14 | 502653401 | WIRING | | 1 | |
| 15 | 544928601 | CABLE | | 1 | |
| 16 | 544926104 | CABLE | | 1 | |
| 17 | 544439801 | RELAY | | 1 | |
| 18 | 506899801 | NUT | | 2 | |
| 19 | 504558801 | WIRING | | 1 | |
| 22 | 535469101 | SWITCH | | 1 | |
| 24 | 506909601 | SWITCH | | 1 | |
| 30 | 544415501 | SWITCH | | 1 | |
| 33 | 502655701 | SWITCH | | 1 | |
| 34 | 502653001 | HOUR METER | | 1 | |
| 35 | 502466601 | LAMP | | 2 | |



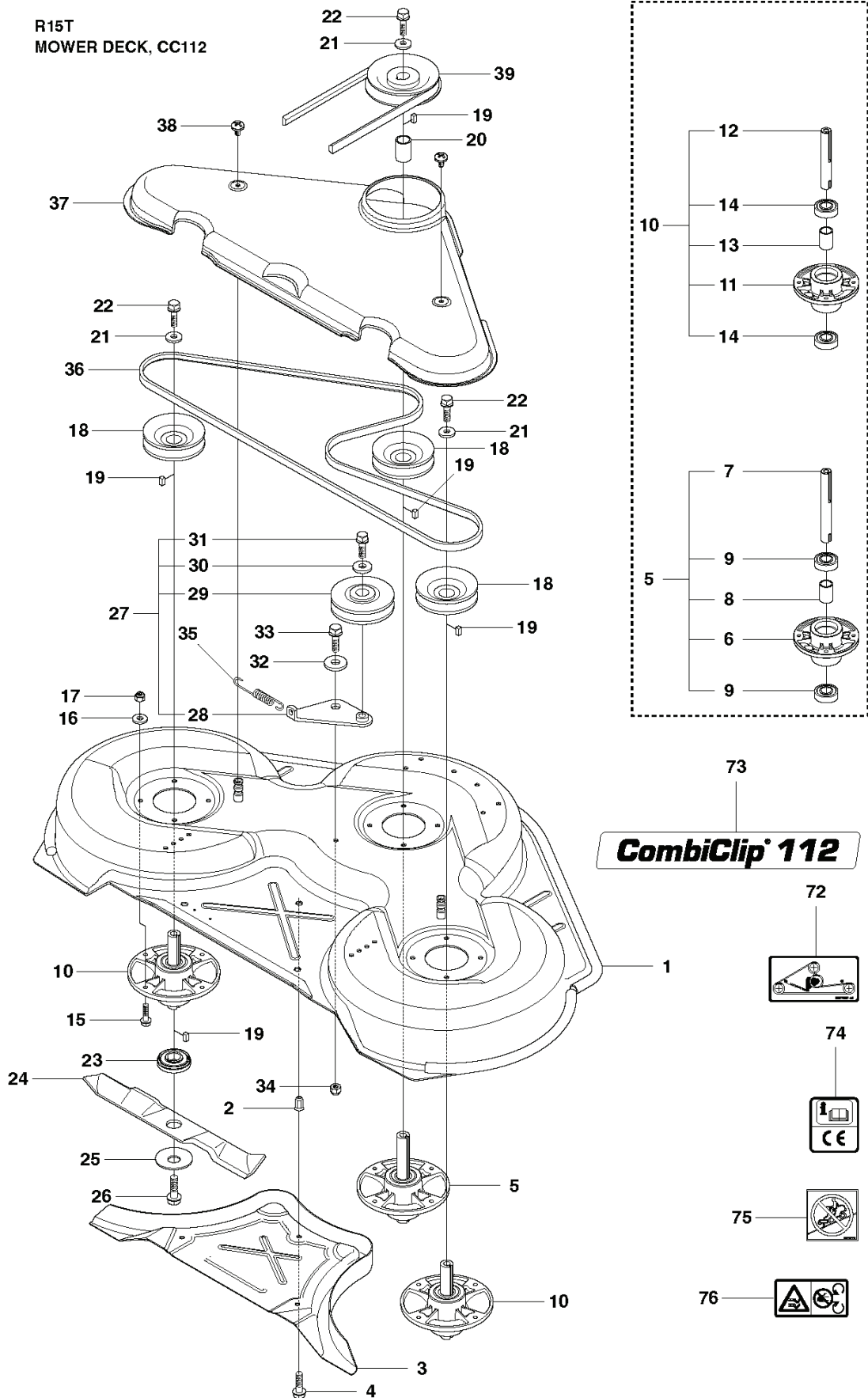
| REF. | PART NO. | DESCRIPTION | REMARK | QTY. | KIT |
|------|-----------|----------------|--------|------|-----|
| 1 | 535451901 | MOTOR | | 1 | |
| 2 | 725245751 | SCREW | | 3 | |
| 3 | 725245951 | SCREW EHHM | | 1 | |
| 4 | 734116401 | WASHER | | 3 | |
| 5 | 735216400 | LOCKWASHER | | 1 | |
| 6 | 732211801 | LOCK NUT | | 4 | |
| 7 | 510131401 | EXHAUST PIPE | | 1 | |
| 8 | 544013301 | PIPE | | 1 | |
| 9 | 506668401 | CLAMP ASSY | | 1 | |
| 10 | 544335702 | MUFFLER ASSY | | 1 | |
| 11 | 725236461 | SCREW EHHFT | | 2 | |
| 12 | 506668401 | CLAMP ASSY | | 1 | |
| 13 | 544248301 | HEAT PROTECTOR | | 1 | |
| 14 | 506597401 | SCREW EHHFM | | 2 | |
| 15 | 506839401 | SPRING WASHER | | 2 | |
| 16 | 535414460 | PLUG | | 1 | 1 |
| 17 | 531001190 | O-RING | | 1 | 1 |
| 18 | 535414416 | JOINT | | 1 | 1 |
| 19 | 535414236 | GASKET | | 2 | 1 |

R15T
MOWER DECK, CC103



| REF. | PART NO. | DESCRIPTION | REMARK | QTY. | KIT |
|------|-----------|-------------------|--------|------|-----|
| 40 | 523095301 | BRACKET | | 1 | |
| 41 | 725245171 | SCREW EHHM | | 4 | |
| 42 | 732211801 | LOCK NUT | | 4 | |
| 43 | 502641805 | CROSS BAR | | 1 | |
| 44 | 523094503 | CROSS BAR | | 1 | |
| 45 | 506869601 | BEARING | | 8 | |
| 46 | 506813801 | REINFORCING PLATE | | 4 | |
| 47 | 725246151 | SCREW EHHM | | 8 | |
| 48 | 732211801 | LOCK NUT | | 8 | |
| 49 | 523114201 | PARALLEL ROD ASSY | | 1 | |
| 50 | 502642301 | PARALLEL ROD | | 1 | |
| 51 | 506839801 | GAFFELLANK | | 1 | |
| 52 | 721618301 | SPLIT PIN | | 1 | |
| 53 | 523086503 | DECK FRAME | | 1 | |
| 54 | 574561901 | BEARING | | 4 | |
| 55 | 574210101 | PIVOT WHEEL ASSY | | 2 | |
| 57 | 506963001 | WHEEL ASSY | | 1 | 55 |
| 58 | 506810802 | TUBE | | 1 | 55 |
| 59 | 506874102 | SPACER | | 2 | 55 |
| 60 | 725251951 | SCREW EHHM | | 1 | 55 |
| 61 | 732212051 | NUT | | 1 | 55 |
| 62 | 503894703 | SNAP LOCKING | | 1 | |
| 63 | 506570104 | SCREW EHHFM | | 2 | |
| 64 | 734116441 | WASHER | | 2 | |
| 65 | 574034801 | PLUG | | 2 | |
| 66 | 506597401 | SCREW EHHFM | | 4 | |
| 67 | 732211801 | LOCK NUT | | 2 | |
| 68 | 523087501 | DECK ATTACHMENT | | 1 | |
| 69 | 523114601 | LOCK | | 1 | |
| 70 | 725236861 | SCREW EHHFT | | 2 | |

R15T
MOWER DECK, CC112



| REF. | PART NO. | DESCRIPTION | REMARK | QTY. | KIT |
|------|-----------|---------------------|--------|------|-----|
| 1 | 574209501 | CUTTING DECK | | 1 | |
| 2 | 506916201 | NUT | | 1 | |
| 3 | 544449301 | PLUG | | 1 | |
| 4 | 506570104 | SCREW EHHFM | | 1 | |
| 5 | 544065902 | BLADE HOUSING ASSY | | 1 | |
| 6 | 544067801 | BEARING HOUSING | | 1 | 5 |
| 7 | 544067901 | SHAFT | | 1 | 5 |
| 8 | 544068001 | SPACING SLEEVE | | 1 | 5 |
| 9 | 738230434 | BALL BEARING | | 2 | 5 |
| 10 | 544065901 | BLADE HOUSING ASSY | | 2 | |
| 11 | 544067801 | BEARING HOUSING | | 1 | 10 |
| 12 | 535428702 | SHAFT | | 1 | 10 |
| 13 | 535428801 | SPACER | | 1 | 10 |
| 14 | 738230434 | BALL BEARING | | 2 | 10 |
| 15 | 535423801 | SCREW RSQM | | 12 | |
| 16 | 734116401 | WASHER | | 12 | |
| 17 | 732211801 | LOCK NUT | | 12 | |
| 18 | 506922101 | PULLEY | | 3 | |
| 19 | 506533501 | PARALLEL KEY | | 7 | |
| 20 | 544068002 | SPACING SLEEVE | | 1 | |
| 21 | 734117441 | WASHER | | 3 | |
| 22 | 544114101 | SCREW EHHM | | 3 | |
| 23 | 535504202 | ADAPTER | | 3 | |
| 24 | 504188110 | BLADE | | 3 | |
| 25 | 506792301 | KNIFE PLATE | | 3 | |
| 26 | 544114101 | SCREW EHHM | | 3 | |
| 27 | 506540701 | BELT TENSIONER ASSY | | 1 | |
| 28 | 506519501 | SPÄNNARM KPL. | | 1 | 27 |
| 29 | 506532701 | PULLEY | | 1 | 27 |
| 30 | 734116441 | WASHER | | 1 | 27 |
| 31 | 506558302 | SCREW EHHFT | | 1 | 27 |
| 32 | 506918702 | WASHER | | 1 | |
| 33 | 725245171 | SCREW EHHM | | 1 | |
| 34 | 732211801 | LOCK NUT | | 1 | |
| 35 | 506533101 | SPRING | | 1 | |
| 36 | 535411901 | BELT | | 1 | |
| 37 | 544096201 | BELT COVER | | 1 | |
| 38 | 544400501 | SCREW | | 2 | |
| 39 | 506778601 | PULLEY | | 1 | |
| 72 | 506789701 | LABEL | | 1 | |
| 73 | 574210303 | DECAL | | 1 | |
| 74 | 506929001 | LABEL | | 1 | |
| 76 | 574510001 | DECAL | | 1 | |