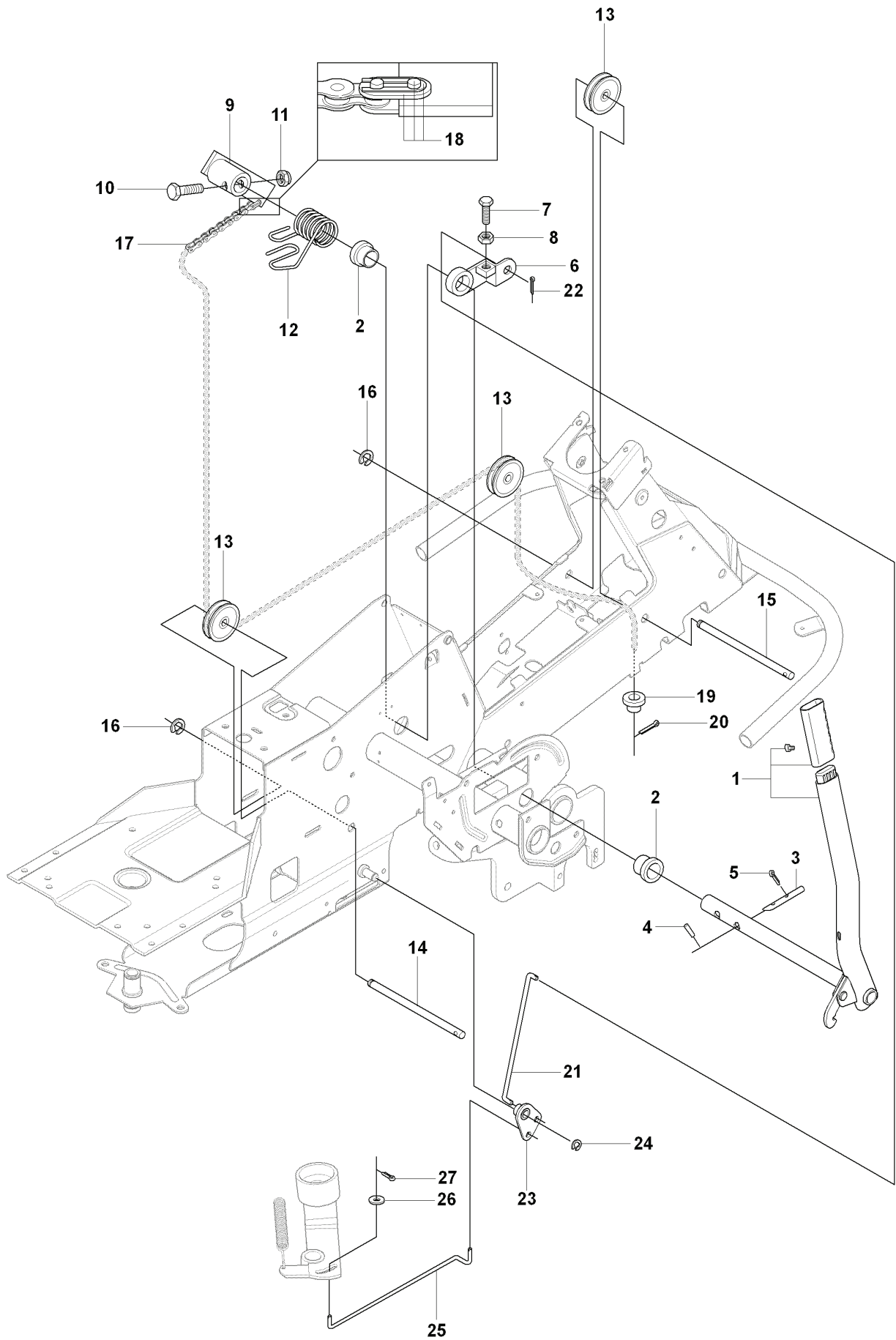


RIDER 15V2, 965200701, 2009-04

SPARE PARTS LIST

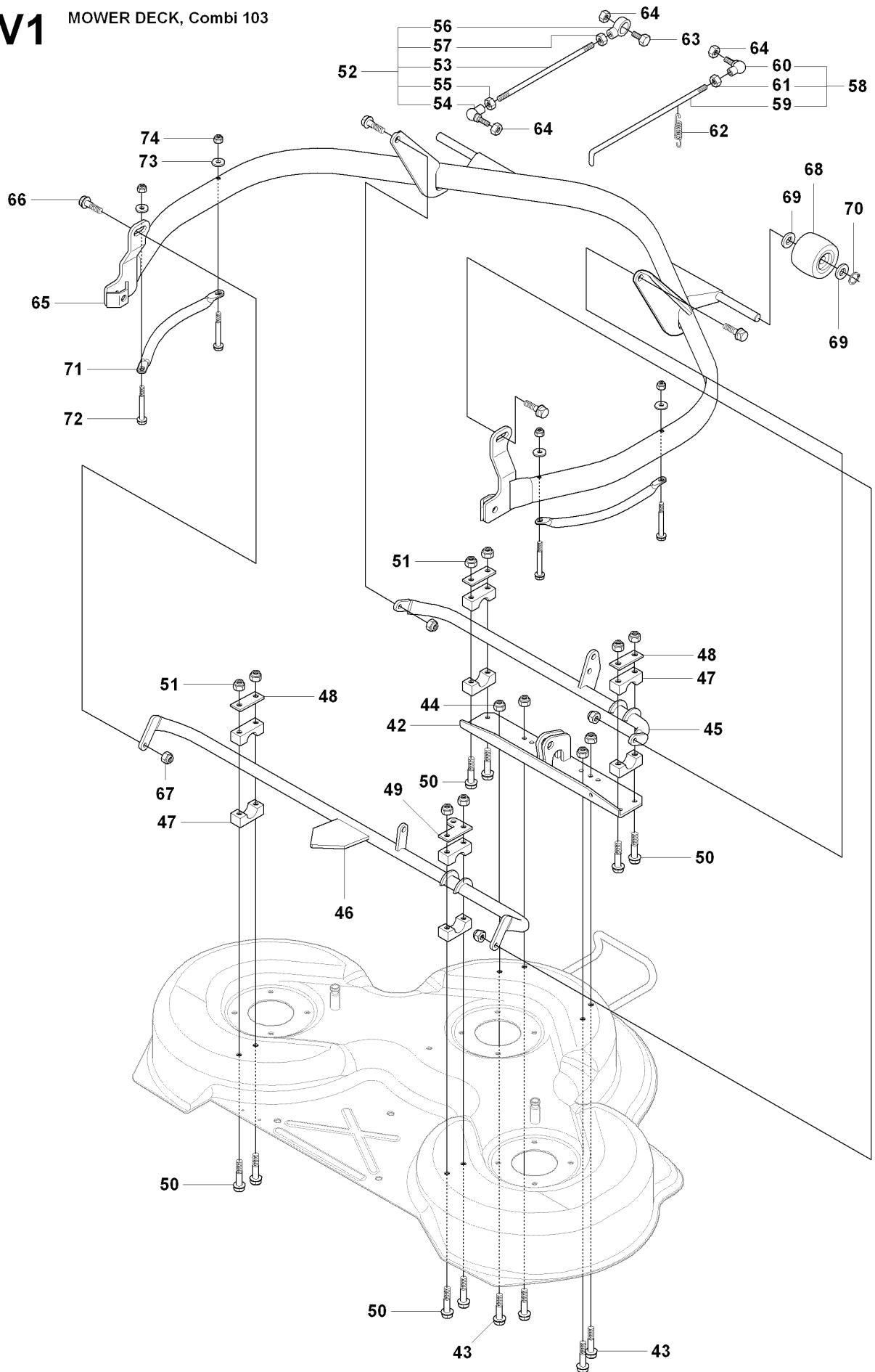
E Rider R15V2
MOWER LIFT



REF.	PART NO.	DESCRIPTION	REMARK	QTY.	KIT
1	501018601	LIFTING LEVER ASSY		1	
2	506556501	BEARING		2	
3	506905301	PEN		1	
4	721125930	GROOVED PIN		1	
5	721618301	SPLIT PIN		1	
6	506784301	LINK ASSY		1	
7	725249751	SCREW		1	
8	731232051	HEXAGON NUT		1	
9	506905401	LIFTING ARM		1	
10	725254251	SCREW EHHM		1	
11	732252201	HEXAGON LOCKING NUT		1	
12	506916801	SPRING		1	
13	506905601	OFFSET PULLEY		2	
14	506905701	SHAFT		1	
15	506905702	SHAFT		1	
16	735311820	E-CLIP		2	
17	506554607	CHAIN		1	
18	506554701	LINKAGE		1	
19	506905901	CHAIN STOP		1	
20	721618701	SPLIT PIN		1	
21	544456901	CONNECTION ROD		1	
22	721618301	SPLIT PIN		1	
23	544378601	LINK		1	
24	735311420	E-CLIP		1	
25	544448801	CONNECTION ROD		1	
26	734116441	WASHER		1	
27	721618301	SPLIT PIN		1	

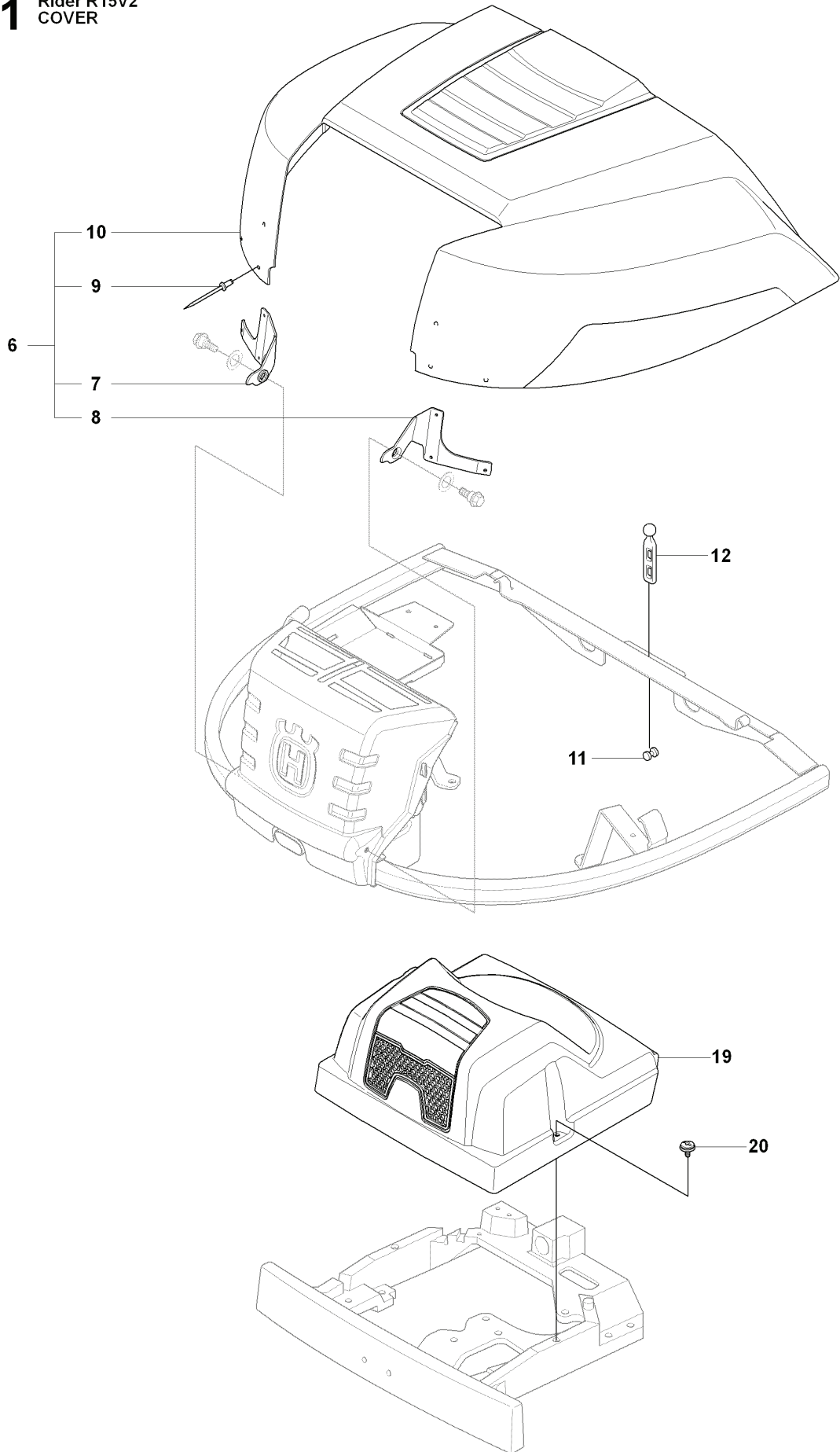
V1

MOWER DECK, Combi 103



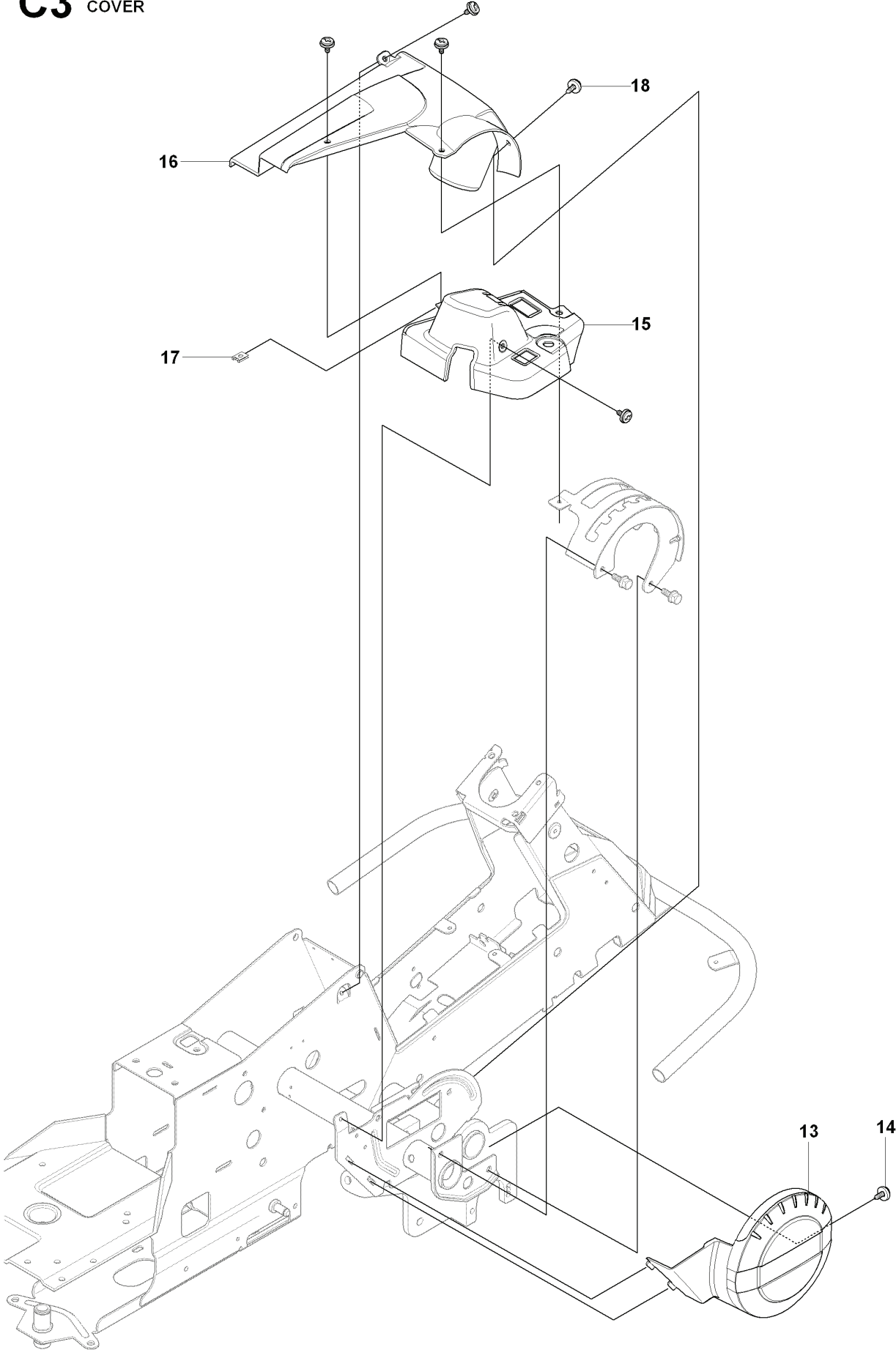
REF.	PART NO.	DESCRIPTION	REMARK	QTY.	KIT
42	535423001	BRACKET		1	
43	725245171	SCREW EHHM		4	
44	732211801	LOCK NUT		4	
45	535468801	FRÄMRE TVÄRRÖR KPL.		1	
46	535468701	REAR CROSS TUBES ASS		1	
47	506869601	BEARING		8	
48	506813801	REINFORCING PLATE		3	
49	506979101	SERVICEBRICKA		1	
50	725246151	SCREW EHHM		8	
51	732211801	LOCK NUT		8	
52	506933904	PARALLEL ROD ASSY		1	
53	506814906	ROD		1	
54	506789901	VINKELLÄNK DIN 71802		1	
55	506897601	NUT		1	
56	506951701	ROD END		1	
57	731232051	HEXAGON NUT		1	
58	506941206	CLUTCH ROD ASSY		1	
59	506941306	CONNECTION ROD		1	
60	506789901	VINKELLÄNK DIN 71802		1	
61	506897601	NUT		1	
62	506535603	DRAW SPRING		1	
63	725249571	SCREW EHHM		1	
64	732212051	NUT		3	
65	535463601	PROTECTIVE TUBING		1	
66	506597401	SCREW EHHFM		4	
67	732211801	LOCK NUT		4	
68	506963001	WHEEL ASSY		2	
69	535464101	WASHER		4	
70	735311700	CIRCLIP		2	
71	535476301	SIDE RAIL		2	
72	727638301	SCREW RSQM		4	
73	734115601	WASHER		4	
74	732211601	LOCK NUT		4	

C1 Rider R15V2
COVER



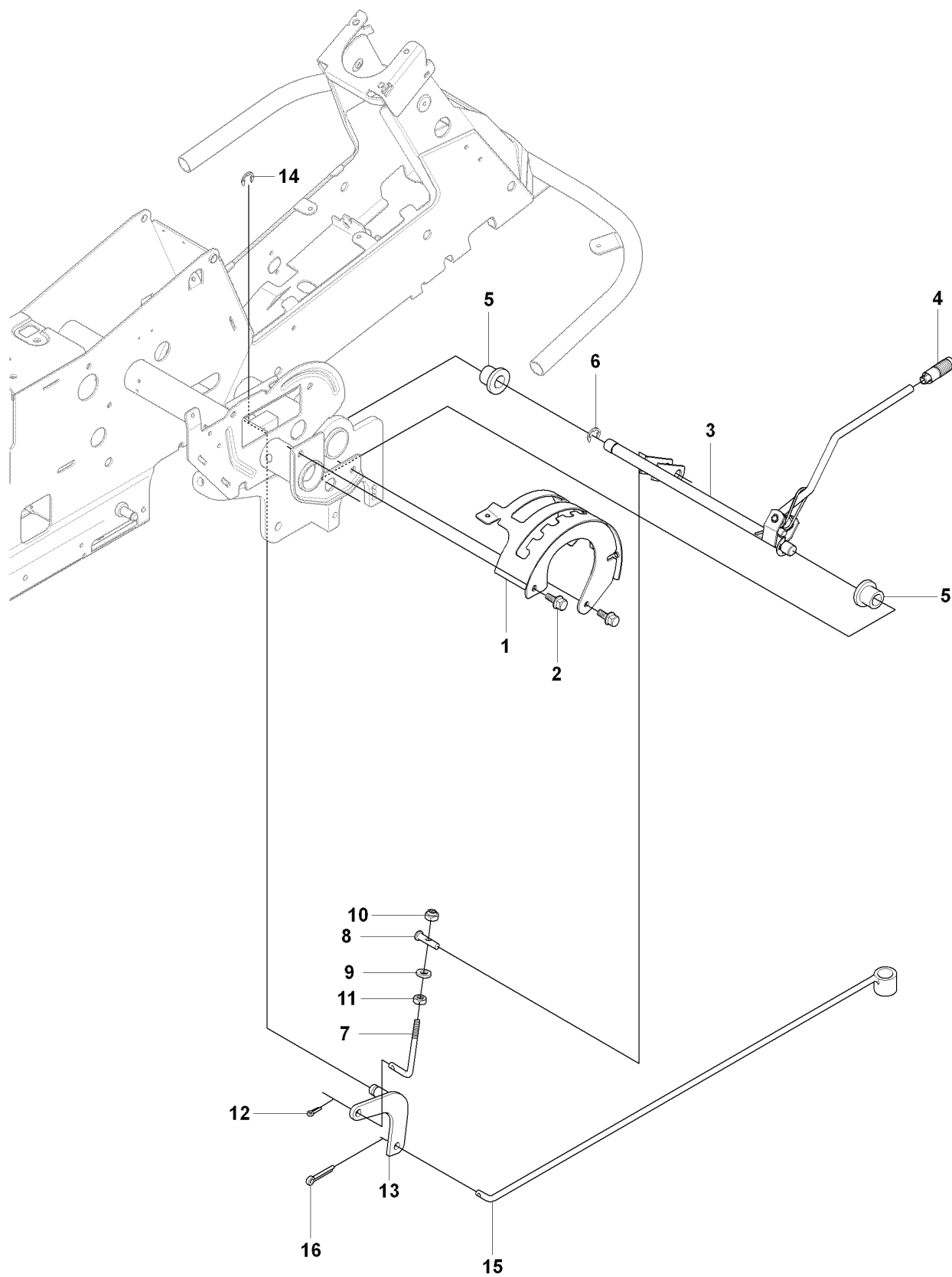
REF.	PART NO.	DESCRIPTION	REMARK	QTY.	KIT
6	544245001	ENGINE HOOD ASSY		1	
7	544245101	HINGE		1	
8	544245102	HINGE		1	
9	722795402	RIVET		6	
10	544245201	ENGINE HOOD ASSY		1	
11	506599501	BUTTON		1	
12	506599601	GUMMISTROPP		1	
19	544373901	COVER		1	
20	544400501	SCREW		2	

C3 Rider R15V2
COVER



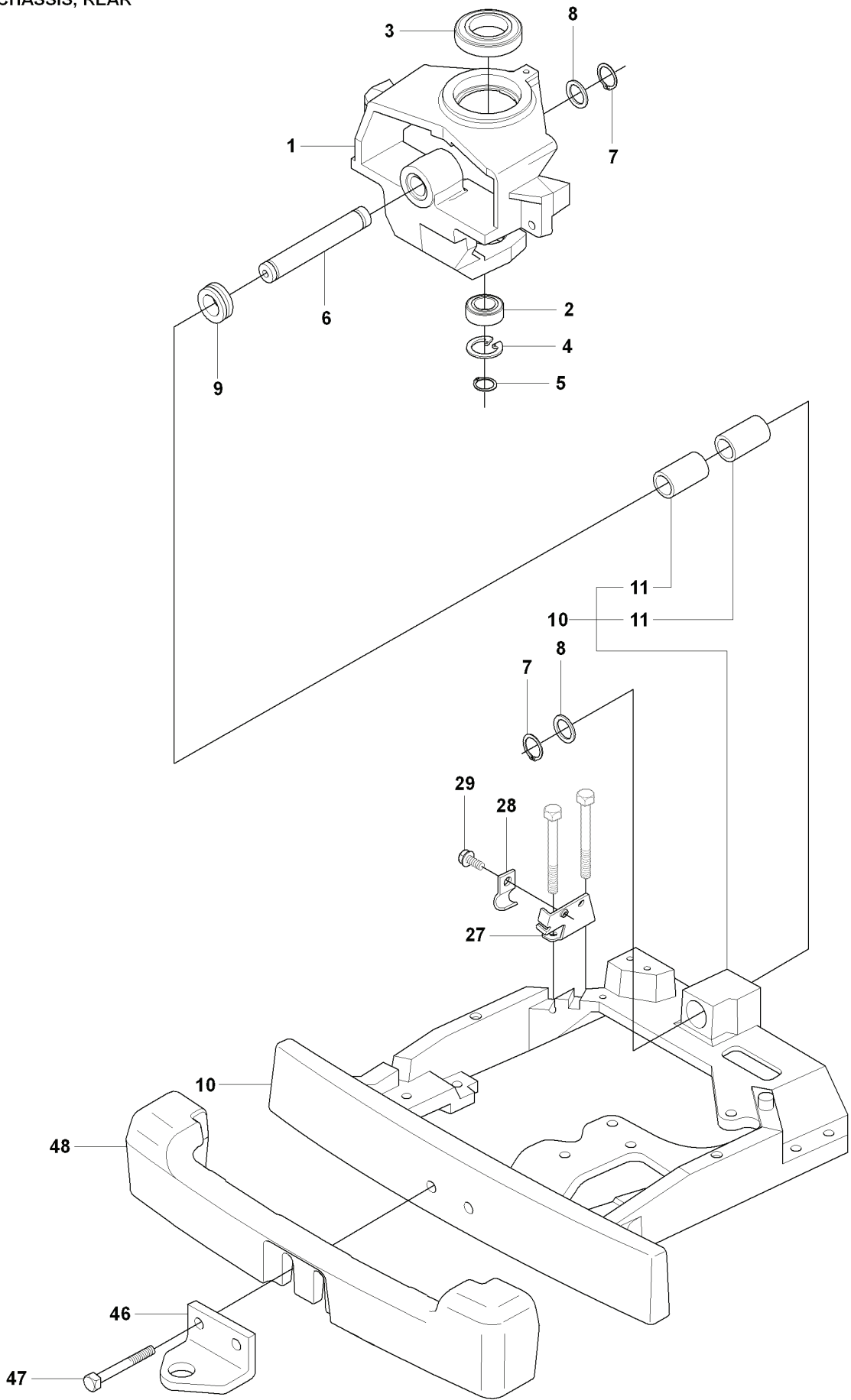
REF.	PART NO.	DESCRIPTION	REMARK	QTY.	KIT
13	535502501	CONTROL COVER		1	
14	544400501	SCREW		1	
15	544332101	CONTROL COVER		1	
16	544332202	COVER		1	
17	535429101	SPRING NUT		1	
18	544400501	SCREW		4	

D Rider R15V2
HEIGHT ADJUSTMENT



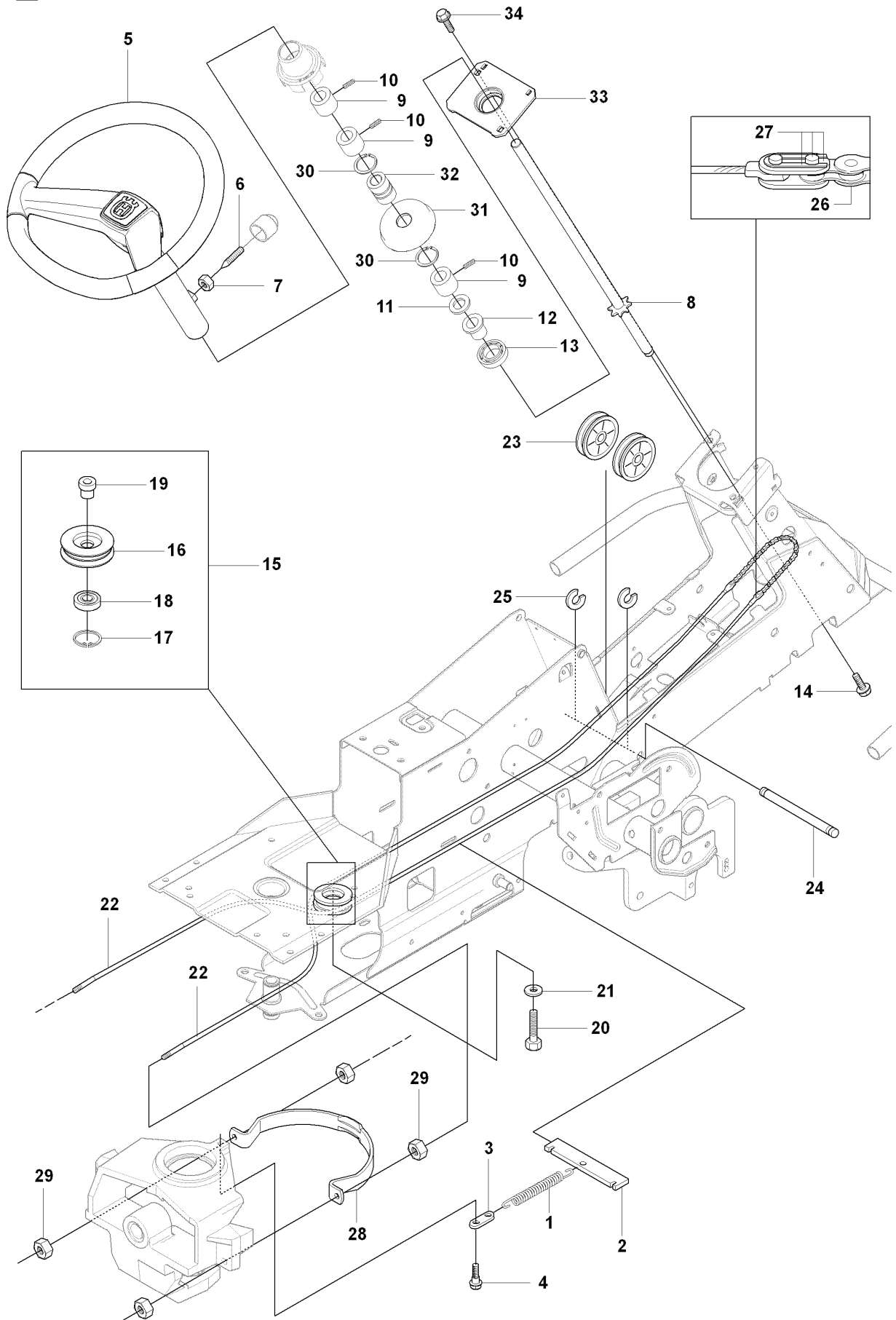
REF.	PART NO.	DESCRIPTION	REMARK	QTY.	KIT
1	535501401	CONTROL PLATE		1	
2	506570103	SCREW EHHFM		2	
3	504734501	ADJUSTER		1	
4	506542001	HANDLE		1	
5	506554301	BEARING		2	
6	735312220	E-CLIP		1	
7	506908201	HEIGHT ROD		1	
8	506784601	PEN		1	
9	734117201	WASHER		1	
10	732211801	LOCK NUT		1	
11	731231801	HEXAGON NUT		1	
12	721618301	SPLIT PIN		1	
13	506998301	LINK ASSY		1	
14	735311520	E-CLIP		1	
15	506975101	CONNECTOR		1	
16	721618301	SPLIT PIN		1	

J1 Rider R15V2
CHASSIS, REAR



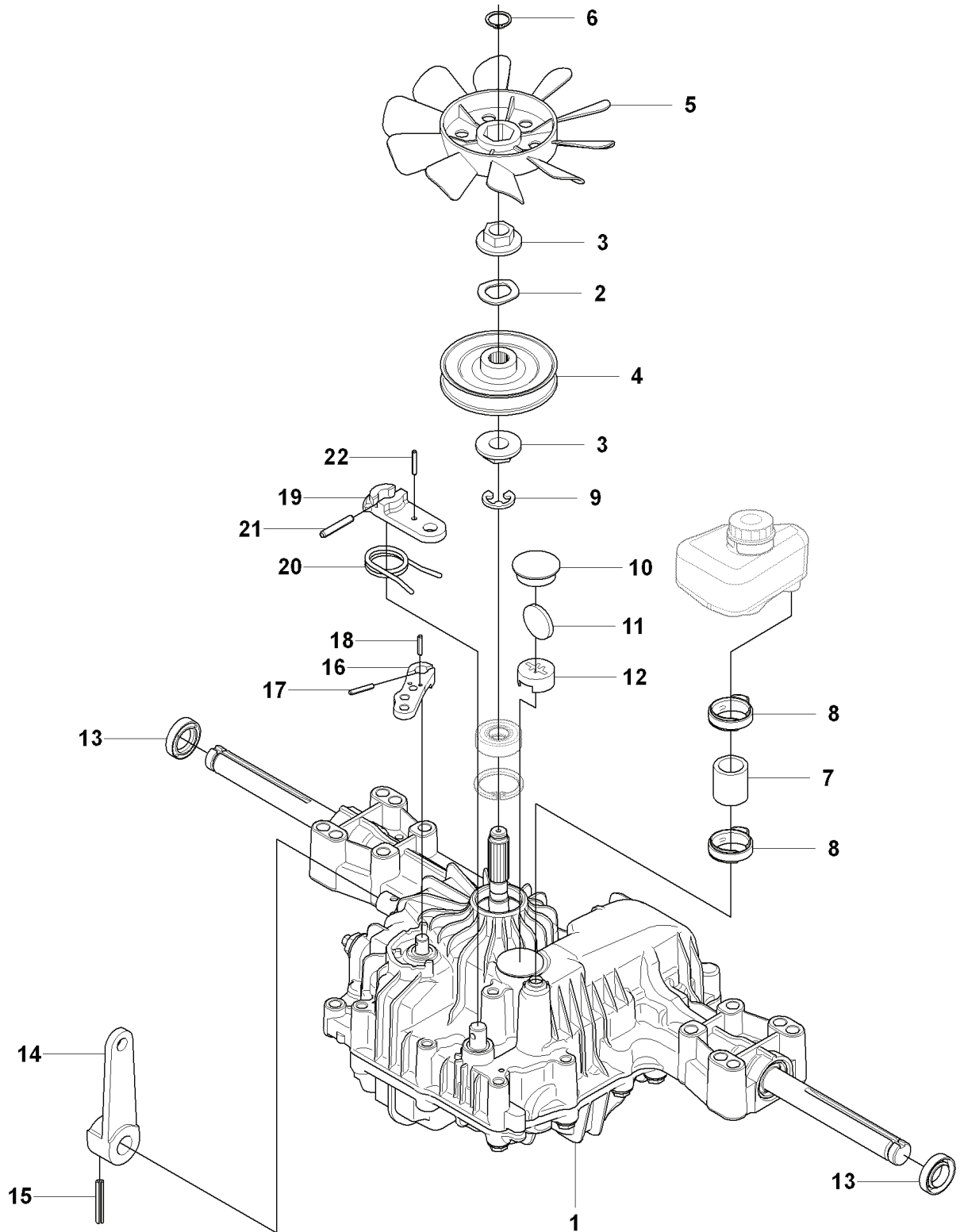
REF.	PART NO.	DESCRIPTION	REMARK	QTY.	KIT
1	506985803	SPINDLE		1	
2	738210504	BALL BEARING		1	
3	738211004	BALL BEARING		1	
4	735314010	CIRCLIP		1	
5	735312600	CIRCLIP		1	
6	506985901	SWING AXLE		1	
7	735312600	CIRCLIP		2	
8	506773401	WASHER		2	
9	740681421	V-RING		1	
10	535406001	BRACKET		1	
11	506986102	GLIDLAGER		2	
27	506987701	BRACKET		1	
28	506566501	CLIP		1	
29	725236461	SCREW EHHFT		1	
46	506889901	HITCH		1	
47	725250051	SCREW EHHM		2	
48	544039602	COUNTERWEIGHT		1	

L Rider R15V2
STEERING



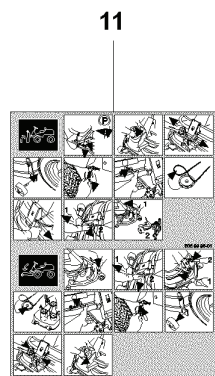
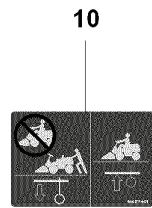
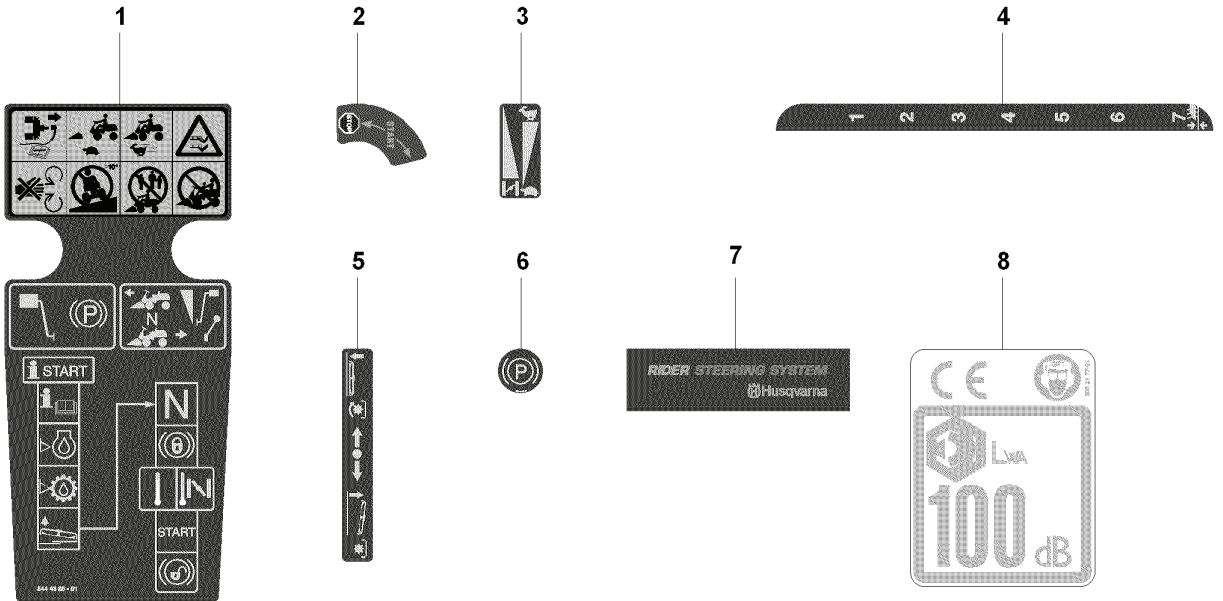
REF.	PART NO.	DESCRIPTION	REMARK	QTY.	KIT
1	506671901	SPRING		1	
2	506576301	SPRING RETAINER		1	
3	506670801	LINK		1	
4	506597401	SCREW EHHFM		1	
5	544375201	STEERING WHEEL		1	
6	728745505	SCREW IHSETM		1	
7	731231801	HEXAGON NUT		1	
8	502640801	STEERING ROD		1	
9	506863401	DRIVER		3	
10	728844305	SCREW IHSETM		3	
11	506863601	WASHER		1	
12	506887801	SPACER		1	
13	738210404	BALL BEARING		1	
14	506570104	SCREW EHHFM		1	
15	506500903	BARRING WHEEL		1	
16	535424101	BARRING WHEEL		1	
17	735314010	CIRCLIP		1	
18	738220419	BALL BEARING		1	
19	506500802	BUSHING		1	
20	506675402	SCREW EHHFM		1	
21	734117441	WASHER		1	
22	506589104	WIRE ASSY		2	
23	506522401	STARTER PULLEY		2	
24	506539402	SHAFT		1	
25	735311420	E-CLIP		2	
26	506554601	CHAIN		1	
27	506554701	LINKAGE		2	
28	544427301	WIRE GUIDE		1	
29	731232051	HEXAGON NUT		4	
30	735312600	CIRCLIP		2	
31	535423701	BELLOWS		1	
32	535447801	DRIVER		1	
33	502649301	BEARING CAGE		1	
34	506570104	SCREW EHHFM		2	

K Rider R15V2
HYDROSTAT K46 EU



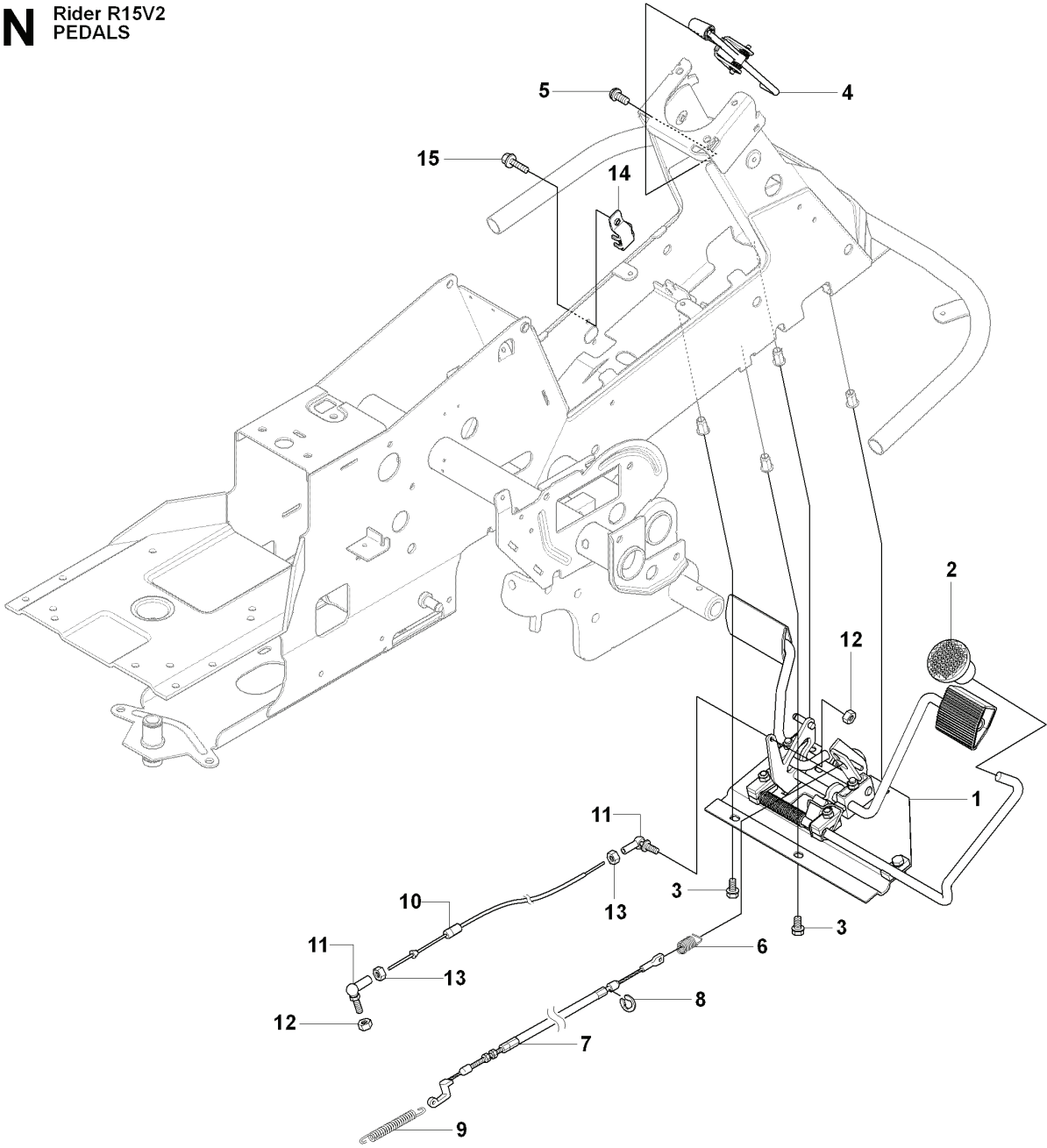
REF.	PART NO.	DESCRIPTION	REMARK	QTY.	KIT
1	506986301	TRANSMISSION		1	
2	506986501	SPRING WASHER		1	
3	506986601	DISTANCE		2	
4	502451901	PULLEY		1	
5	506986801	FAN		1	
6	735311500	CIRCLIP		1	
7	502451601	TUBE		1	
8	506987001	HOSE CLAMP		2	
9	535402807	CLIP		1	
10	535402832	PLUG		1	
11	535402829	MAGNET		1	
12	535402830	HOLDER		1	
13	535402837	SEALING		2	
14	502453201	CONTROL LEVER		1	
15	535402809	PIN RETAINING SCREW		1	
16	535402817	LEVER		1	
17	535402816	PIN RETAINING SCREW		1	
18	535402833	PIN RETAINING SCREW		1	
19	535402838	LEVER		1	
20	535402839	SPRING		1	
21	535402840	PIN RETAINING SCREW		1	
22	535402841	PIN		1	

R Rider R15V2 DECALS

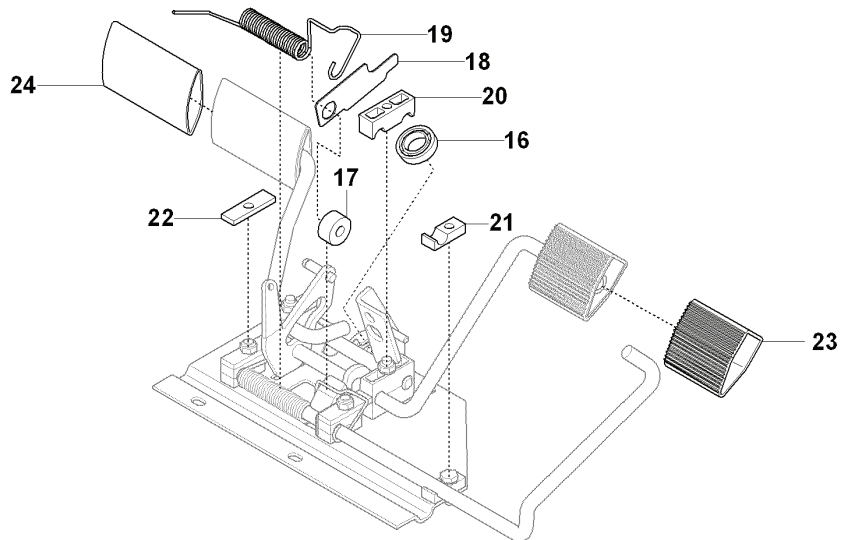


REF.	PART NO.	DESCRIPTION	REMARK	QTY.	KIT
1	544438601	LABEL		1	
2	544438701	LABEL		1	
3	544438901	LABEL		1	
4	544439002	LABEL		1	
5	544439201	LABEL		1	
6	506584501	LABEL		1	
7	544833601	LABEL		1	
8	505217701	LABEL		1	
9	544391102	LABEL		1	
10	544211401	LABEL		1	
11	506999601	LABEL		1	
12	544439601	LABEL		1	
13	544439602	LABEL		1	

N Rider R15V2
PEDALS



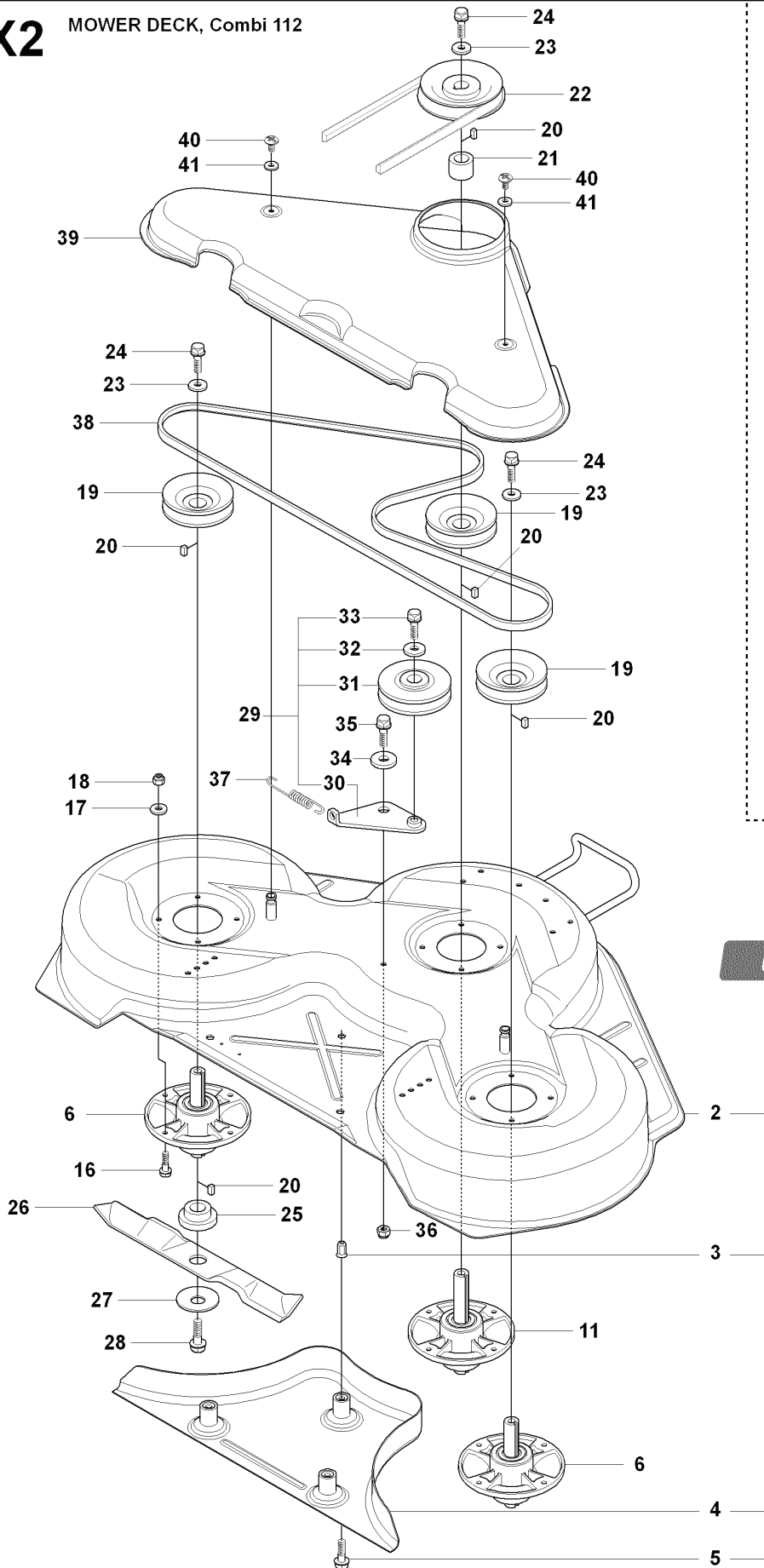
PEDALS



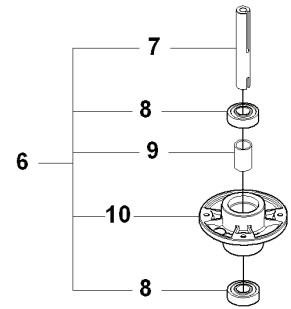
REF.	PART NO.	DESCRIPTION	REMARK	QTY.	KIT
1	544126001	PEDAL PLATE ASSY		1	
2	535473701	KNOB		1	
3	506570104	SCREW EHHFM		4	
4	544403101	BRAKE LEVER ASSY		1	
5	725236461	SCREW EHHFT		2	
6	506946301	BRAKE SPRING		1	
7	506992701	BRAKE WIRE		1	
8	735310920	E-CLIP		1	
9	506535603	DRAW SPRING		1	
10	506827202	CONTROL CABLE		1	
11	506557301	VINKELLAS8 DIN71802		2	
12	732211401	LOCK NUT		2	
13	731231401	HEXAGON NUT		2	
14	522430801	BRACKET		1	
15	725236461	SCREW EHHFT		1	
16	738210204	BALL BEARING		1	
17	535480201	ROLLER		1	
18	535480601	PROTECTIVE PLATE		1	
19	535480701	SPRING		1	
20	535480801	BEARING SUPPORT		4	
21	535480901	BEARING SUPPORT		1	
22	535481001	REINFORCEMENT PLATE		1	
23	535478801	PEDAL		1	
24	535478802	PEDAL		1	

X2

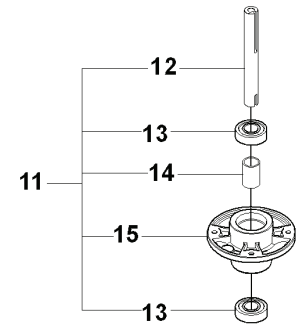
MOWER DECK, Combi 112



Yttre.
Outer.
Exterieur.
Äusser.
Ulko.



Mitten.
Centre.
Centre.
Zentrum.
Keski.



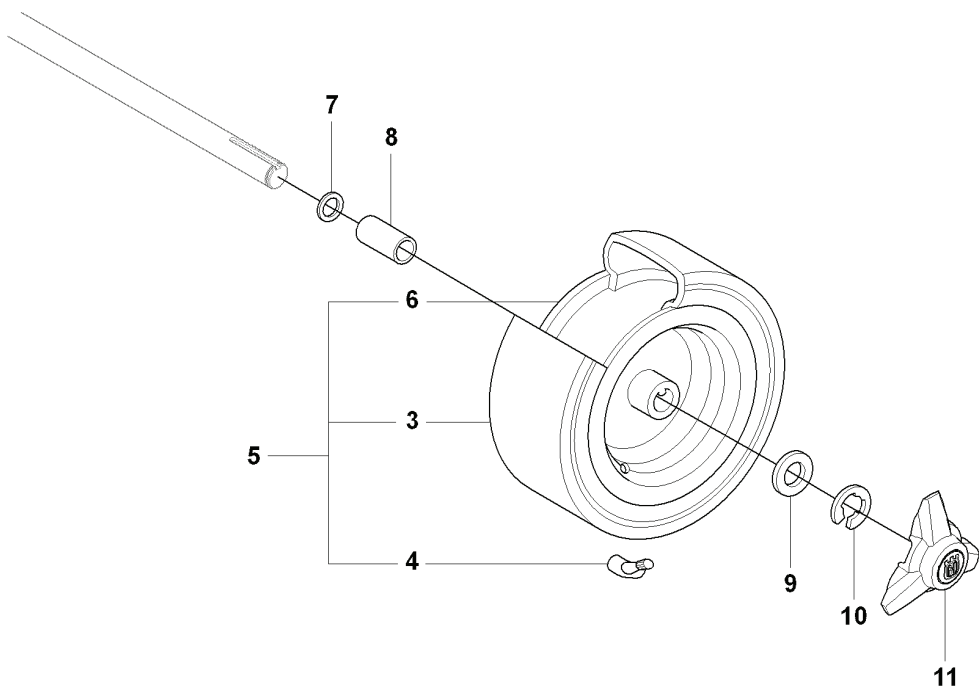
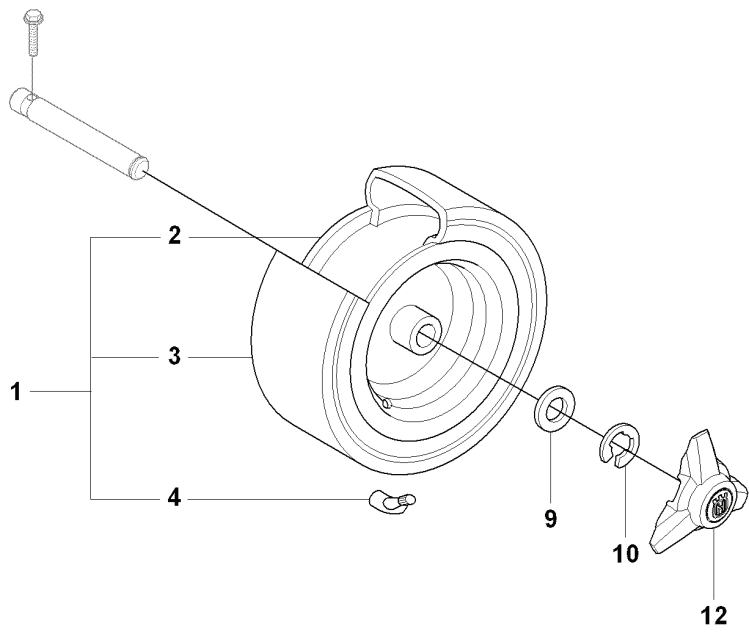
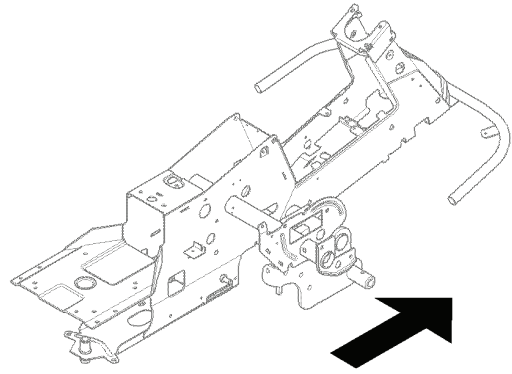
76
Combi 112



75

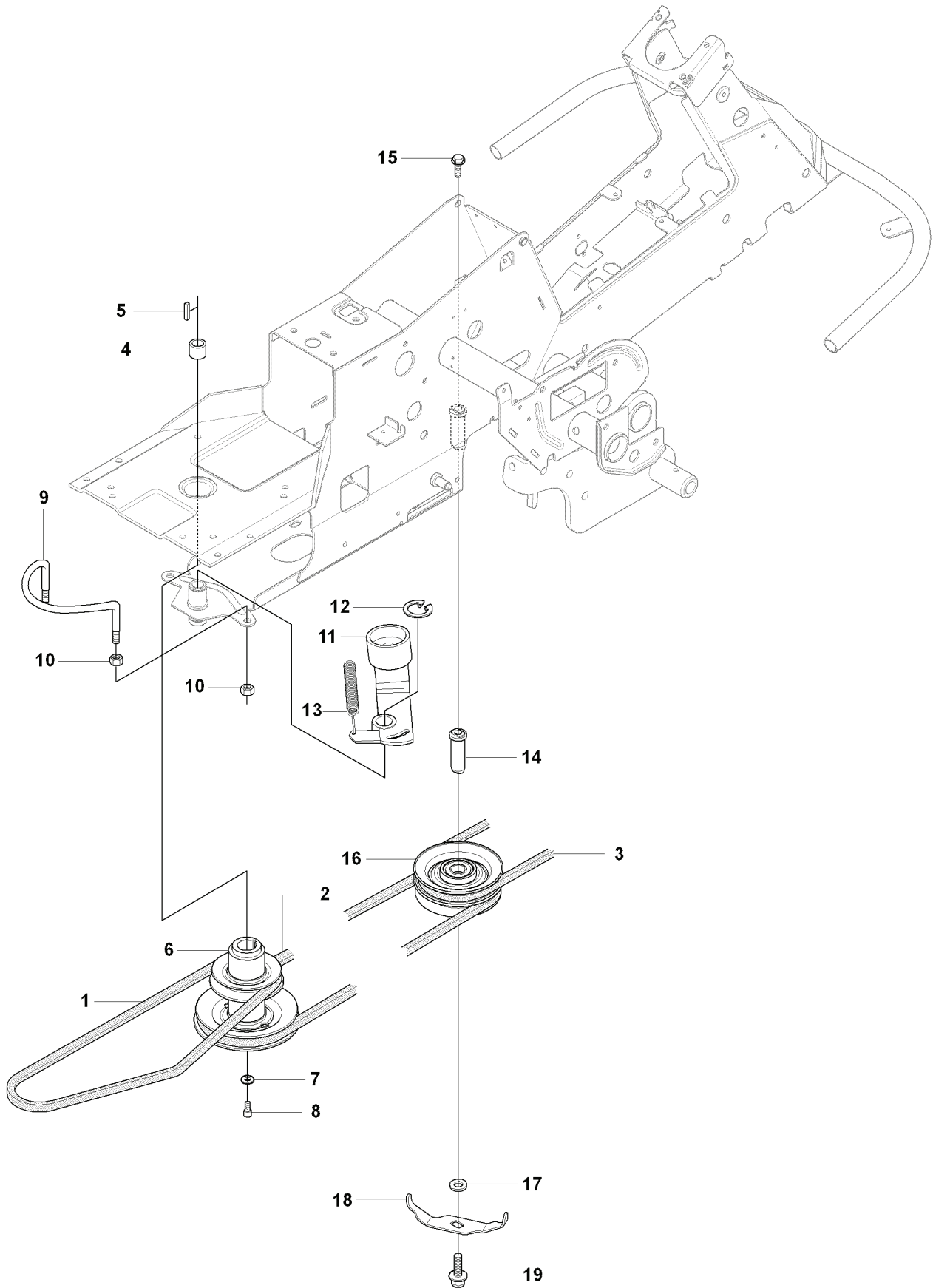
REF.	PART NO.	DESCRIPTION	REMARK	QTY.	KIT
1	544113003	CUTTING DECK		1	
2	544113101	CUTTING DECK		1	
3	506916201	NUT		3	
4	544449301	PLUG		1	
5	506570104	SCREW EHHFM		3	
6	544065901	BLADE HOUSING ASSY		2	
7	544067902	SHAFT		1	
8	738230434	BALL BEARING		2	
9	544068001	SPACING SLEEVE		1	
10	544067801	BEARING HOUSING		1	
11	544065902	BLADE HOUSING ASSY		1	
12	544067901	SHAFT		1	
13	738230434	BALL BEARING		2	
14	544068001	SPACING SLEEVE		1	
15	544067801	BEARING HOUSING		1	
16	535423801	SCREW RSQM		12	
17	734116401	WASHER		12	
18	732211801	LOCK NUT		12	
19	506922101	PULLEY		3	
20	506533501	PARALLEL KEY		7	
21	544068002	SPACING SLEEVE		1	
22	506778601	PULLEY		1	
23	734117441	WASHER		3	
24	544114101	SCREW EHHM		3	
25	535504202	ADAPTER		3	
26	504188110	BLADE		3	
27	506792301	KNIFE PLATE		3	
28	544114101	SCREW EHHM		3	
29	506540701	BELT TENSIONER ASSY		1	
30	506519501	SPÄNNARM KPL.		1	
31	506532701	PULLEY		1	
32	734116441	WASHER		1	
33	506558302	SCREW EHHFT		1	
34	506918702	WASHER		1	
35	725245171	SCREW EHHM		1	
36	732211801	LOCK NUT		1	
37	506533101	SPRING		1	
38	589514601	BELT		1	
39	544096201	BELT COVER		1	
40	506982601	SCREW		2	
41	506559701	WASHER		2	
75	506789701	LABEL		1	
76	544238105	LABEL		1	

Q Rider R15V2
WHEELS & TIRES



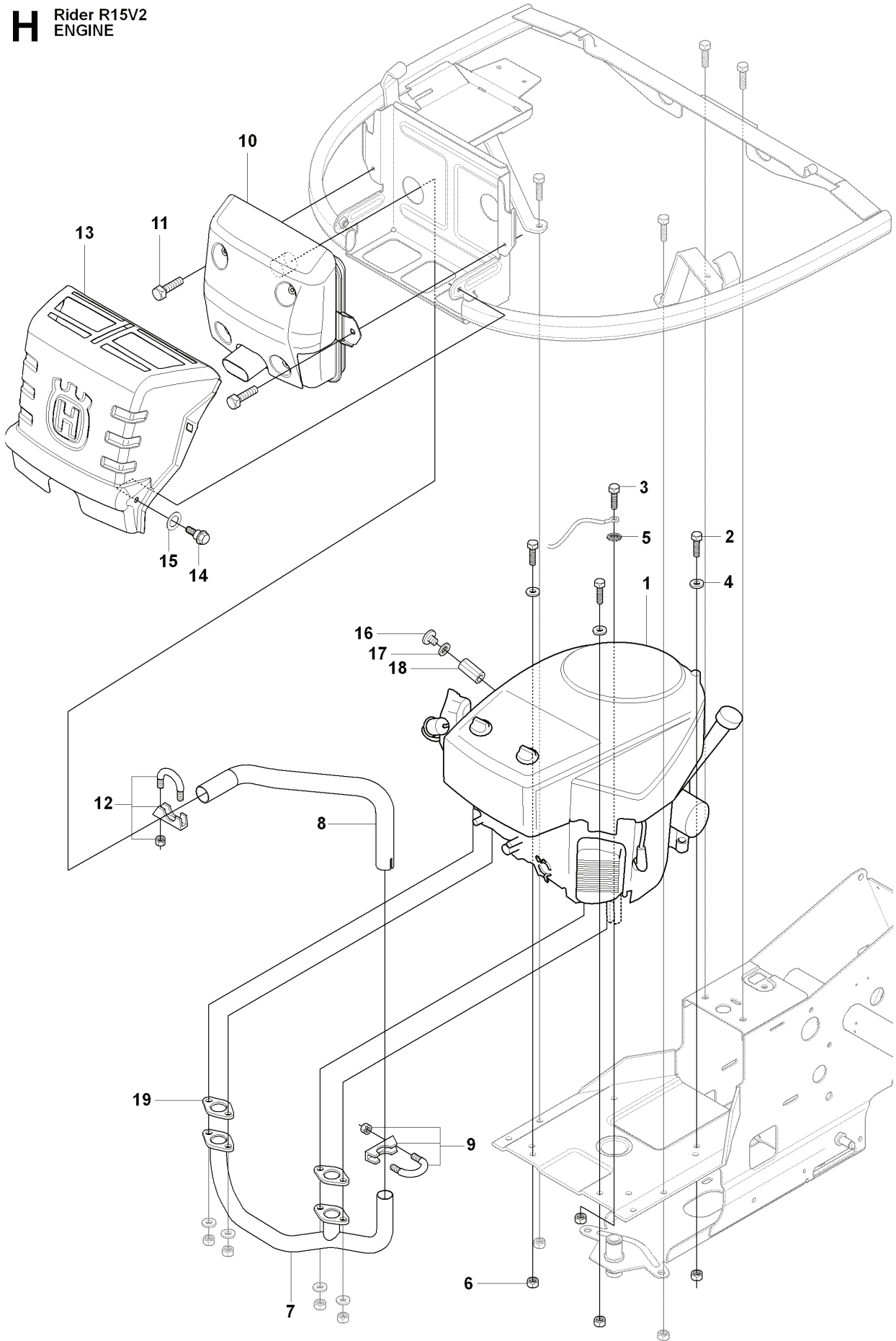
REF.	PART NO.	DESCRIPTION	REMARK	QTY.	KIT
1	544126201	WHEEL		2	
2	544114301	RIM		1	
3	535460001	TYRE		1	
4	506574301	VALVE ASSY		1	
5	544126301	WHEEL		2	
6	544114201	RIM		1	
7	535460001	TYRE		1	
8	506574301	VALVE ASSY		1	
9	506504803	WASHER		2	
10	506596203	SPACING SLEEVE		2	
11	506504805	WASHER		4	
12	506899001	E-CLIP		4	
13	544353501	HUB CAP		2	
14	544353502	HUB CAP		2	

G Rider R15V2
TRANSMISSION



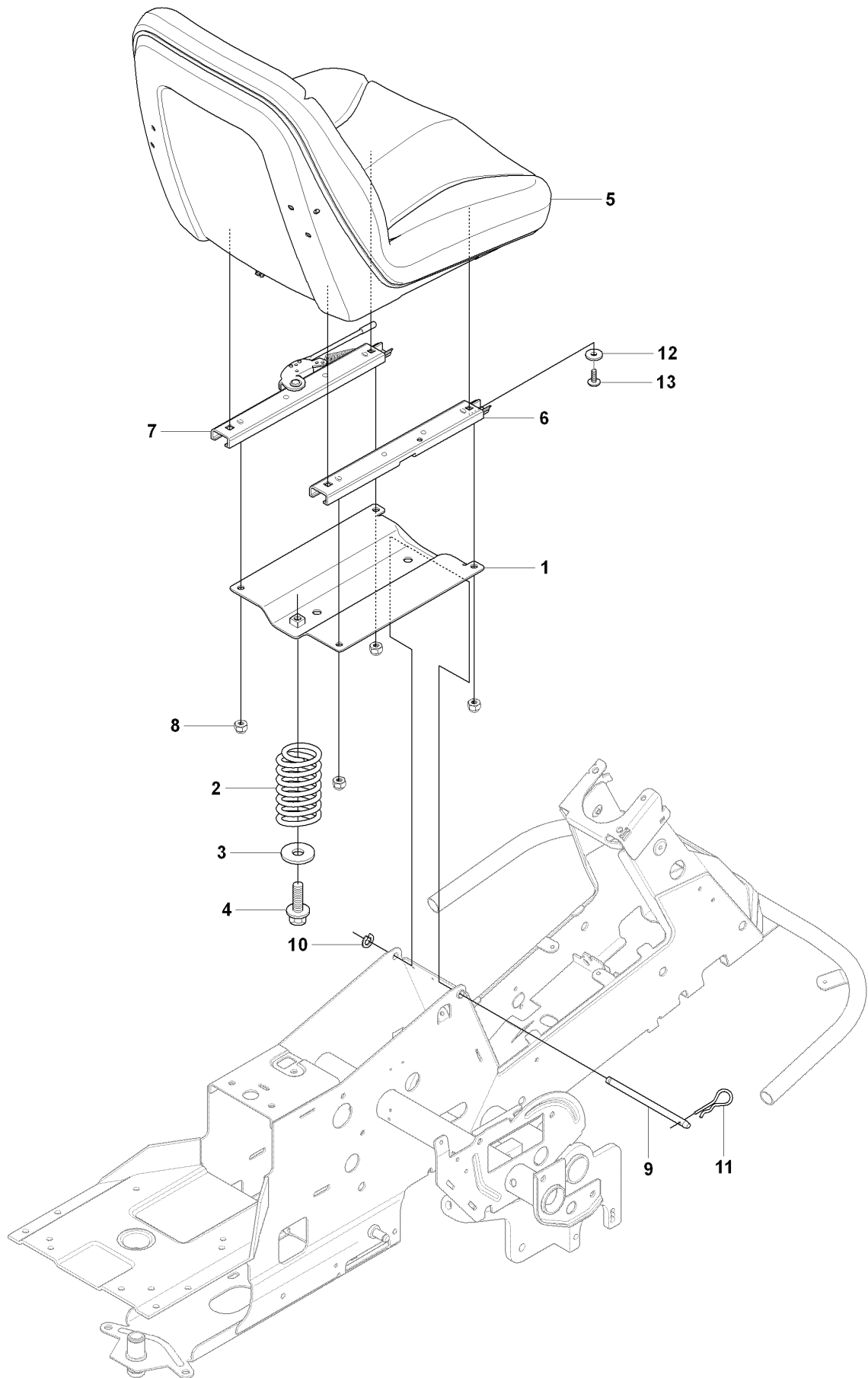
REF.	PART NO.	DESCRIPTION	REMARK	QTY.	KIT
1	589531201	BELT		1	
2	589530401	BELT		1	
3	594978001	BELT		1	
4	506509201	SPACING SLEEVE		1	
5	506555901	WEDGE		1	
6	535482401	PULLEY		1	
7	506597501	WASHER		1	
8	506556002	SCREW UNC		1	
9	506664501	BELT GUIDE		1	
10	731232051	HEXAGON NUT		4	
11	535484401	BELT TENSIONER ASSY		1	
12	735312600	CIRCLIP		1	
13	506665601	SPRING		1	
14	544426101	SHAFT		1	
15	506675402	SCREW EHHFM		1	
16	535482201	PULLEY		1	
17	506775701	WASHER		1	
18	544405301	BELT GUIDE		1	
19	506570105	SCREW EHHFM		1	

H Rider R15V2
ENGINE



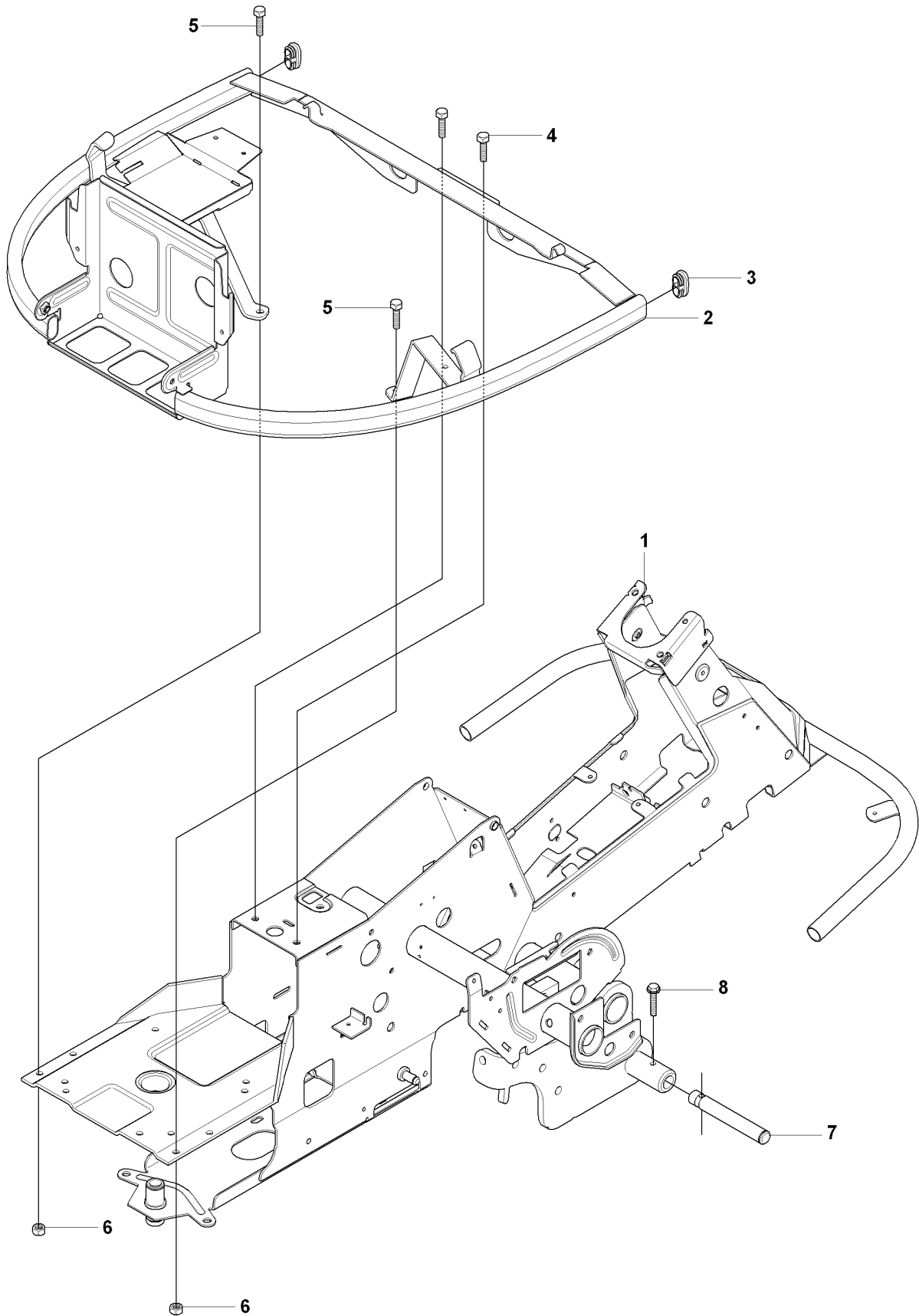
REF.	PART NO.	DESCRIPTION	REMARK	QTY.	KIT
1	535451901	MOTOR		1	
2	725245751	SCREW		3	
3	725245951	SCREW EHHM		1	
4	734116401	WASHER		3	
5	735216400	LOCKWASHER		1	
6	732211801	LOCK NUT		4	
7	535447901	GRENÖR KPL.		1	
8	544013301	PIPE		1	
9	506668401	CLAMP ASSY		1	
10	544335702	MUFFLER ASSY		1	
11	725236461	SCREW EHHFT		2	
12	506668401	CLAMP ASSY		1	
13	544248301	HEAT PROTECTOR		1	
14	506597401	SCREW EHHFM		2	
15	506839401	SPRING WASHER		2	
16	535414460	PLUG		1	
17	531001190	O-RING		1	
18	535414416	JOINT		1	
19	535414236	GASKET		2	

A Rider R15V2
SEAT, TS2800



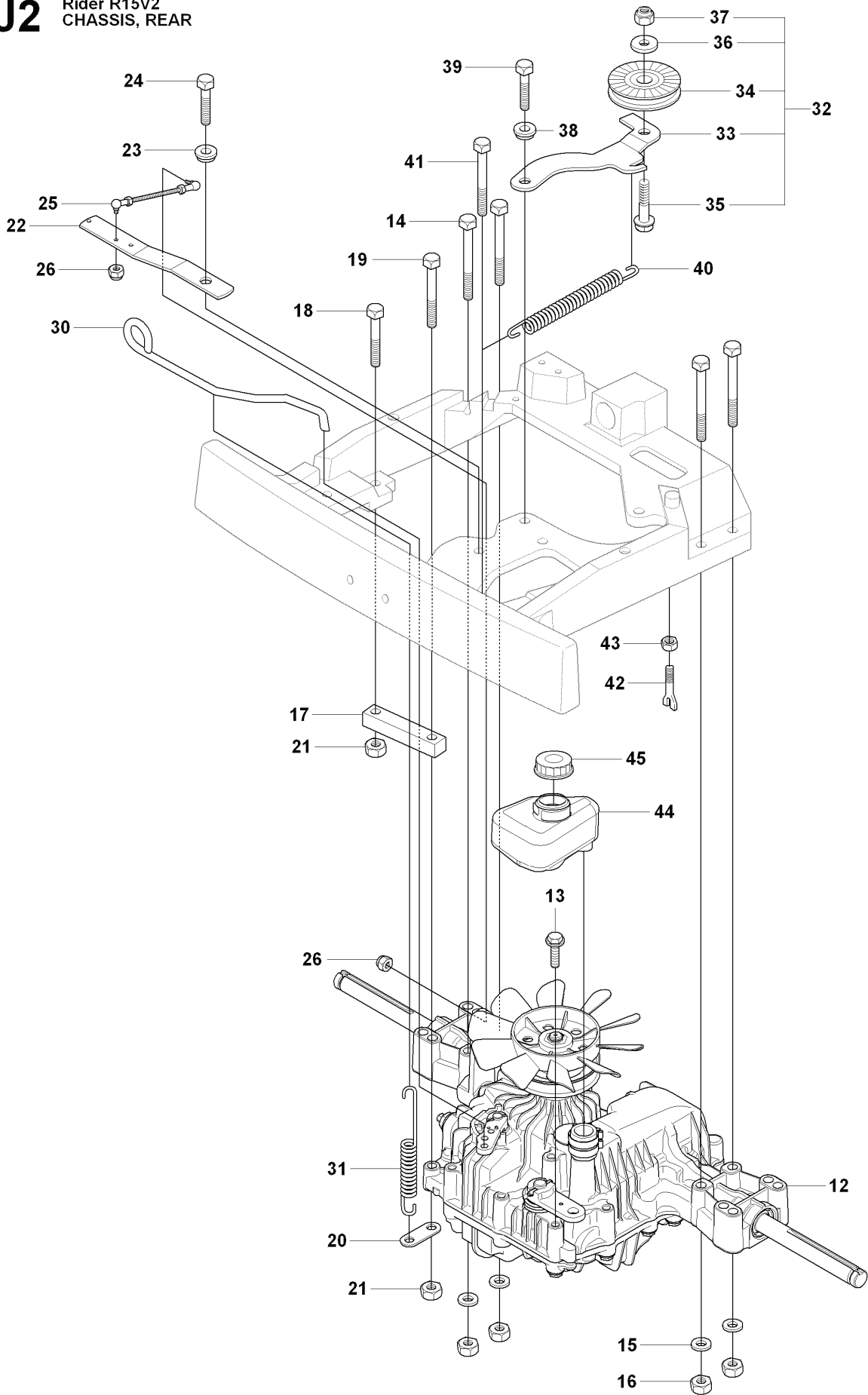
REF.	PART NO.	DESCRIPTION	REMARK	QTY.	KIT
1	544328501	SEAT BRACKET		1	
2	506915301	COMPRESSION SPRING		1	
3	734117441	WASHER		1	
4	725249371	SCREW EHHM		1	
5	544433401	SEAT		1	
6	506996901	ADJUSTER		1	
7	506996902	ADJUSTER		1	
8	732211801	LOCK NUT		4	
9	506509901	SHAFT		1	
10	735311200	CIRCLIP		1	
11	506668801	SPRING COTTER		1	
12	535401801	SPACER		4	
13	874780512	SCREW		4	

F Rider R15V2
CHASSIS



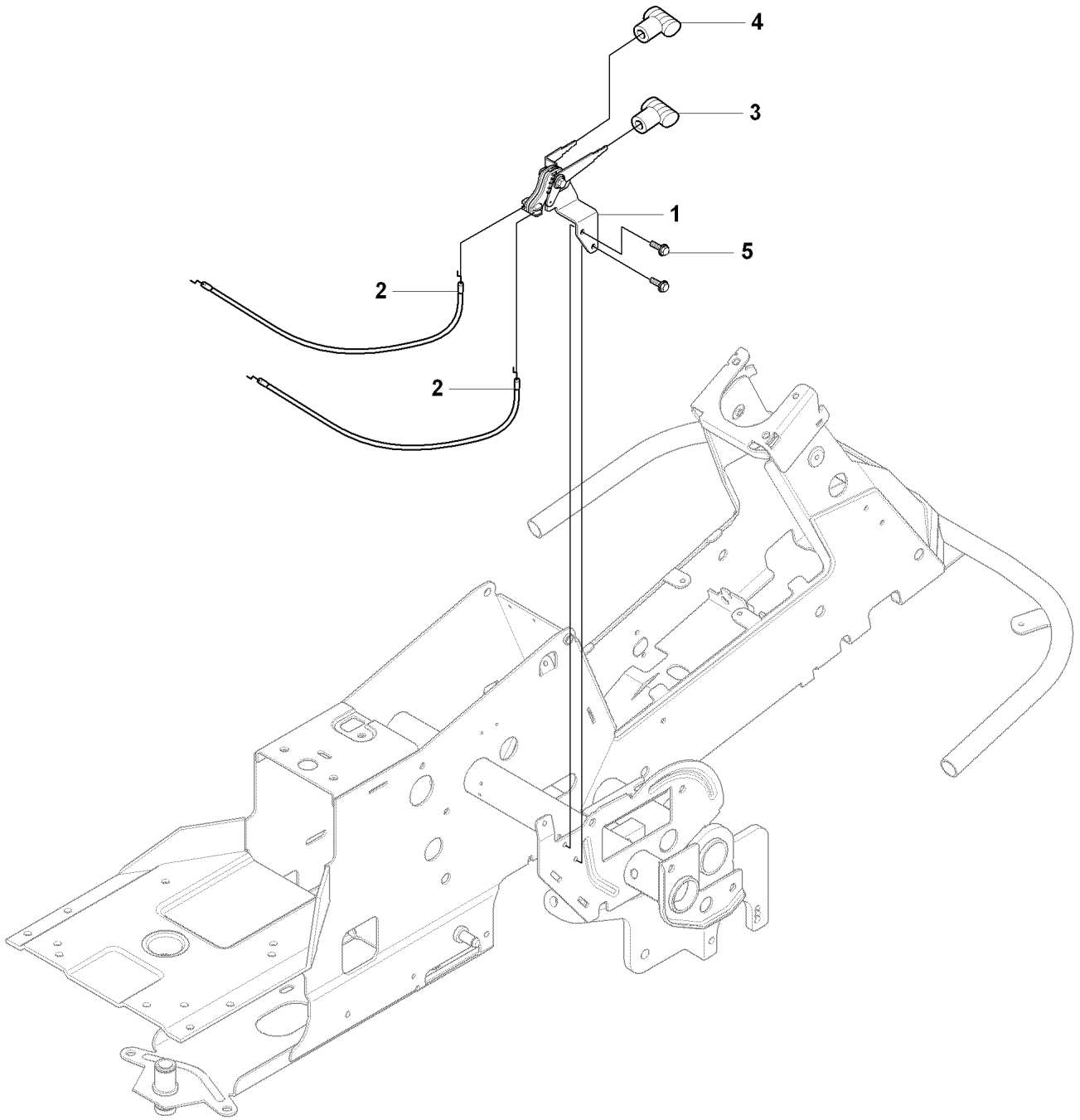
REF.	PART NO.	DESCRIPTION	REMARK	QTY.	KIT
1	502655501	FRAME		1	
2	544244201	ENGINE FRAME		1	
3	544244401	PLUG		2	
4	506570103	SCREW EHHFM		2	
5	725245171	SCREW EHHM		2	
6	732211801	LOCK NUT		2	
7	535470801	WHEEL AXLE		2	
8	725245961	SCREW EHHFT		2	

J2 Rider R15V2 CHASSIS, REAR



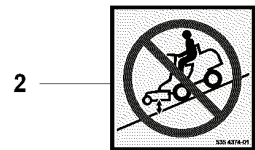
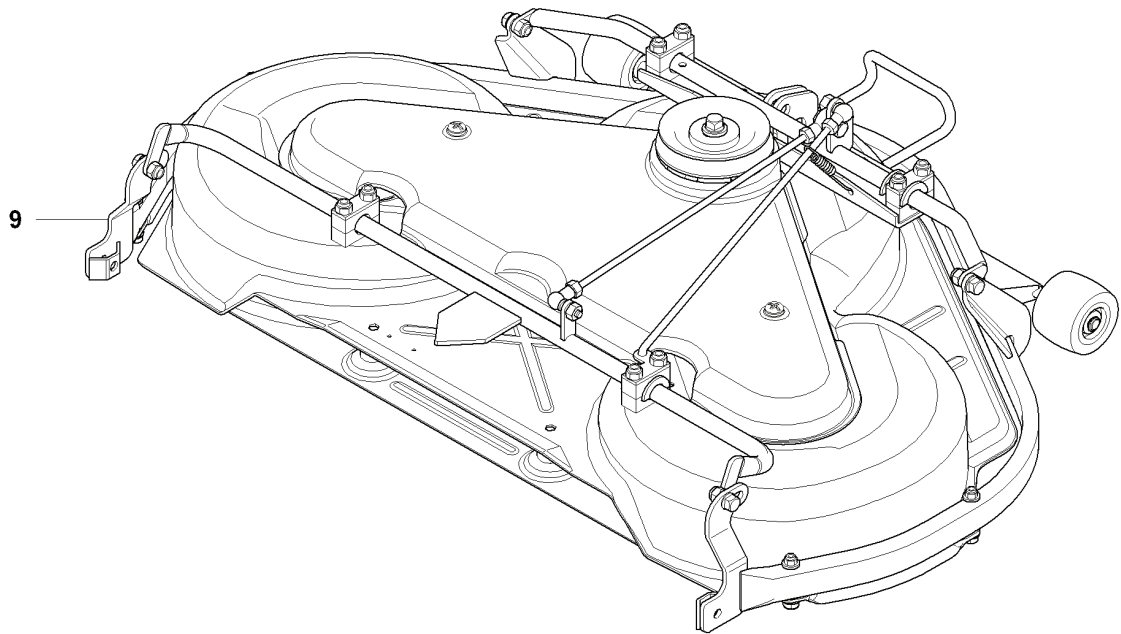
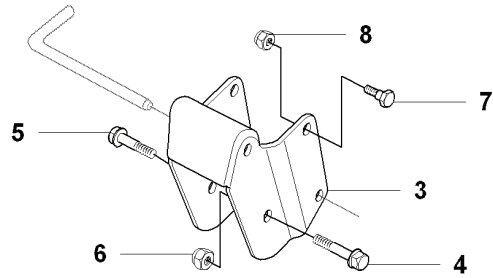
REF.	PART NO.	DESCRIPTION	REMARK	QTY.	KIT
12	506986301	TRANSMISSION		1	
13	506558302	SCREW EHHFT		1	
14	725246751	SCREW EHHM		4	
15	734116401	WASHER		4	
16	731231801	HEXAGON NUT		4	
17	506987201	MOMENTFÄSTE		1	
18	725245951	SCREW EHHM		1	
19	725246251	SCREW EHHM		1	
20	506599301	LINK		1	
21	731231801	HEXAGON NUT		2	
22	506987403	LEVER		1	
23	506918702	WASHER		1	
24	725245151	SCREW		1	
25	506987501	ADJUSTMENT ROD		1	
26	732211401	LOCK NUT		2	
30	506988201	FRIKOPPLINGSSTÅNG		1	
31	506834301	SPRING		1	
32	506988401	BELT TENSIONER ASSY		1	
33	506988501	BELT TENSIONER		1	
34	506946901	PULLEY		1	
35	725245551	SCREW		1	
36	734116441	WASHER		1	
37	732211801	LOCK NUT		1	
38	506918702	WASHER		1	
39	725245151	SCREW		1	
40	506988601	SPRING		1	
41	725246451	SCREW EHHM		1	
42	506988801	PENDULUM		1	
43	731232051	HEXAGON NUT		1	
44	506989001	EXPANSION TANK		1	
45	506988001	TANK CAP ASSY		1	

M Rider R15V2
CONTROLS



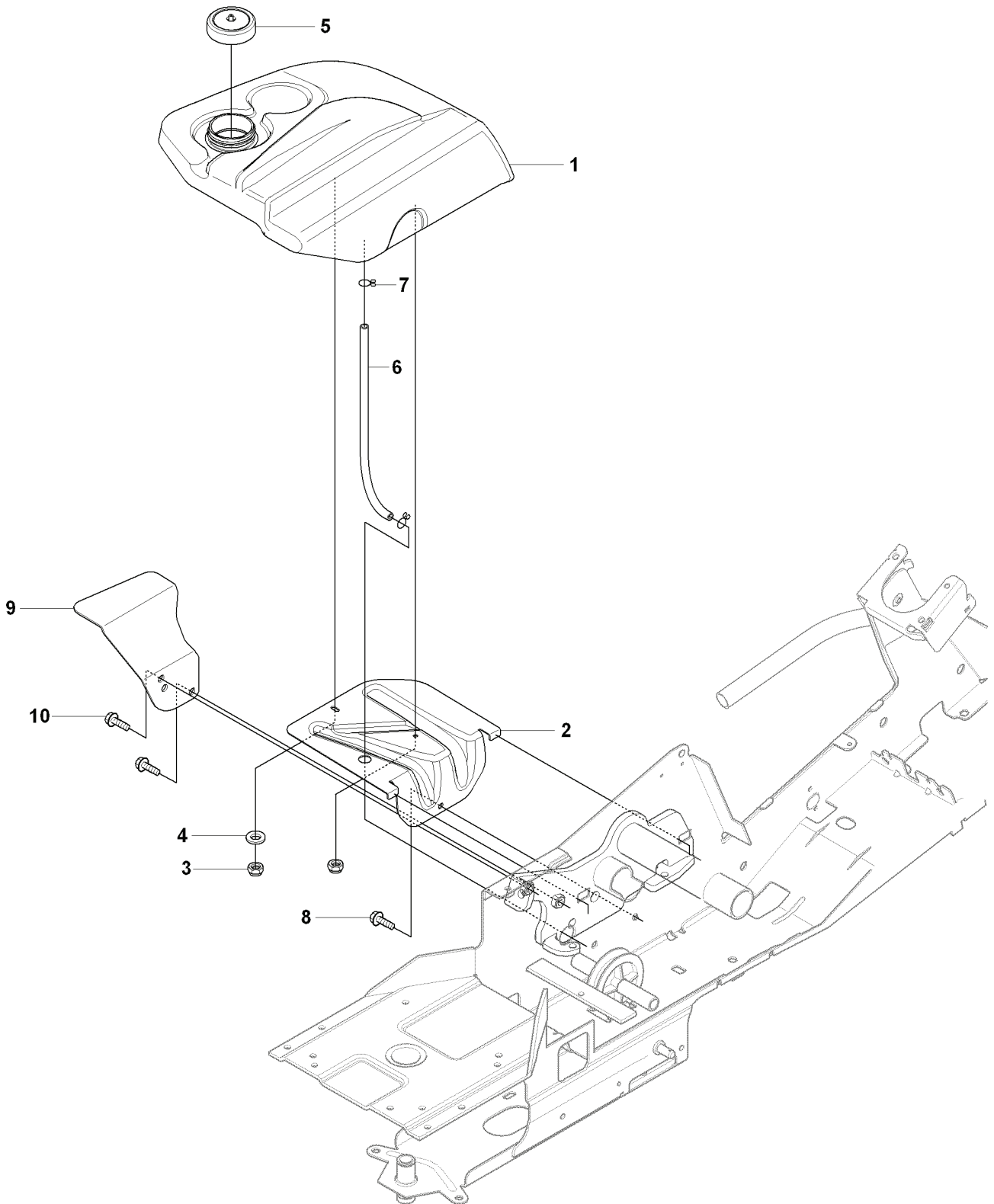
REF.	PART NO.	DESCRIPTION	REMARK	QTY.	KIT
1	544301601	THROTTLE CONTROL ASSY		1	
2	544301702	WIRE		2	
3	506889101	KNOB		1	
4	506889102	KNOB		1	
5	725236461	SCREW EHHFT		2	

U MOWER DECK, Combi 112



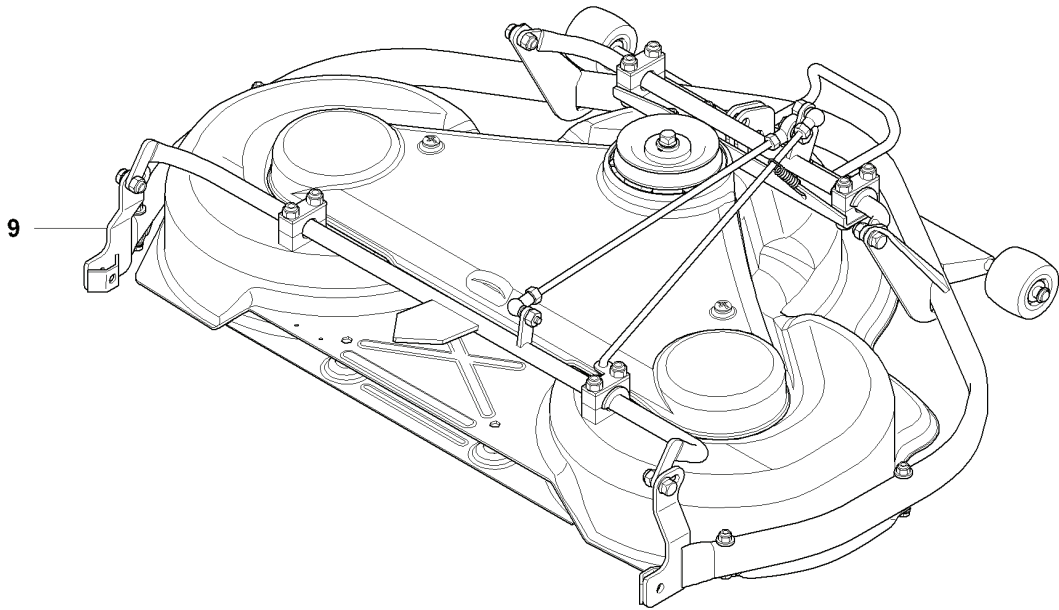
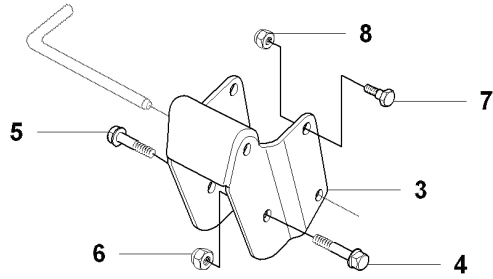
REF.	PART NO.	DESCRIPTION	REMARK	QTY.	KIT
1	506929001	LABEL		1	
2	535437401	LABEL WARNING		1	
3	535431301	LÄNKRÖRRSINFÄSTN.KPL		1	
4	725254251	SCREW EHHM		1	
5	725253671	SCREW EHHM		1	
6	732252201	HEXAGON LOCKING NUT		2	
7	506597401	SCREW EHHFM		2	
8	732211801	LOCK NUT		2	
9	965078501	CUTTING DECK		1	

B Rider R15V2
FUEL SYSTEM



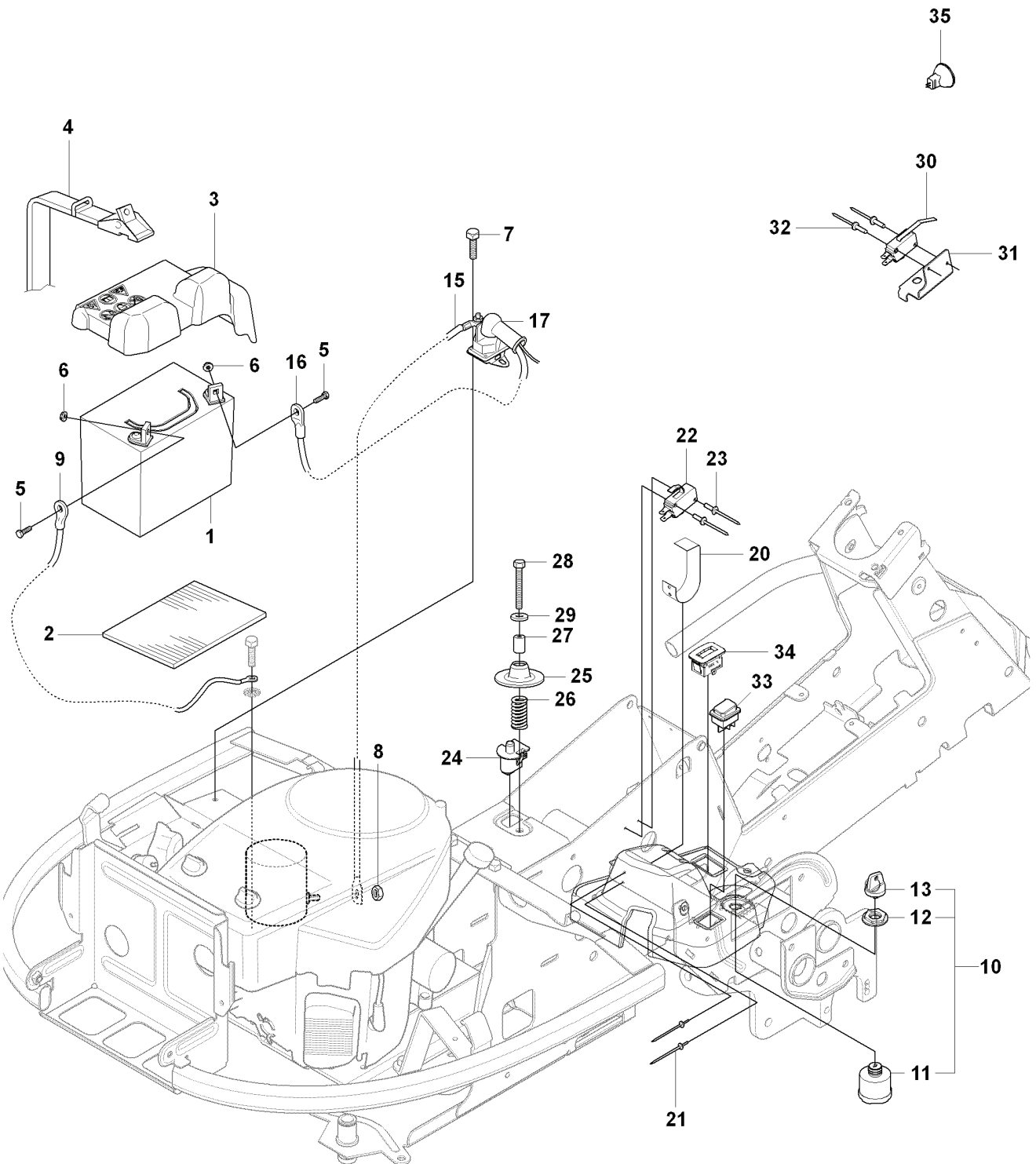
REF.	PART NO.	DESCRIPTION	REMARK	QTY.	KIT
1	535501301	FUEL TANK		1	
2	544329301	BRACKET		1	
3	732211601	LOCK NUT		2	
4	734115601	WASHER		1	
5	506673301	TANK CAP ASSY		1	
6	506946703	FUEL HOSE		1	
7	535469701	HOSE BRACE		2	
8	725236461	SCREW EHHFT		1	
9	501020301	SUPPORT		1	
10	725249371	SCREW EHHM		2	

T MOWER DECK, Combi 103



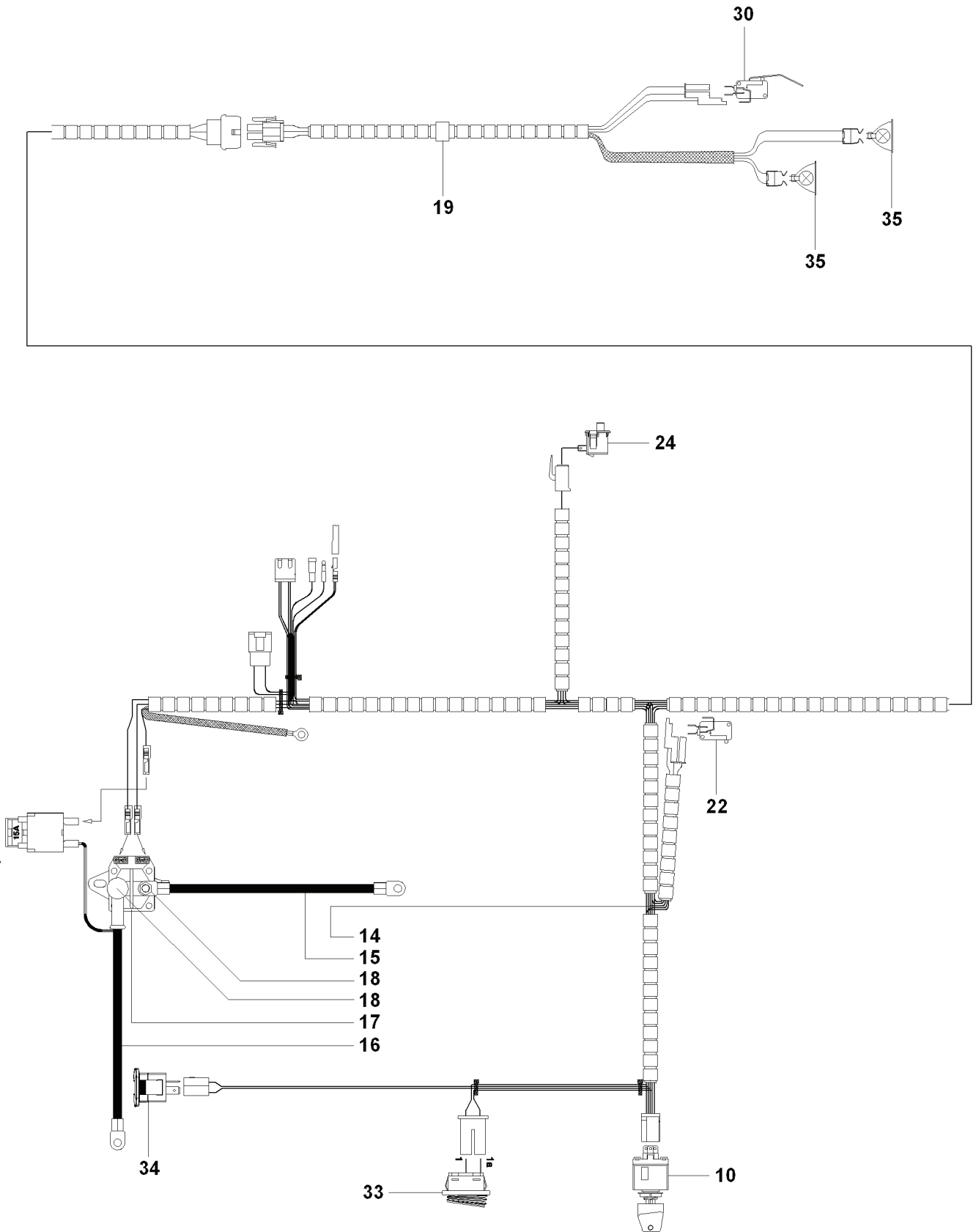
REF.	PART NO.	DESCRIPTION	REMARK	QTY.	KIT
1	506929001	LABEL		1	
3	535431301	LÄNKRÖRRSINFÄSTN.KPL		1	
4	725254251	SCREW EHHM		1	
5	725253671	SCREW EHHM		1	
6	732252201	HEXAGON LOCKING NUT		2	
7	506597401	SCREW EHHFM		2	
8	732211801	LOCK NUT		2	
9	965078401	CUTTING DECK		1	

P1 Rider R15V2 ELECTRICAL



REF.	PART NO.	DESCRIPTION	REMARK	QTY.	KIT
1	510138501	BATTERY		1	
2	535441101	BATTERY MAT		1	
3	510026901	COVER		1	
4	506836802	BELT		1	
5	522622101	SCREW EHHM		1	
6	522624301	NUT		1	
7	725236461	SCREW EHHFT		1	
8	506899801	NUT		1	
11	544442201	IGNITION SWITCH		1	
12	544442301	NUT		1	
13	544442401	IGNITION KEY		1	
20	506909301	PLATE SPRING		1	
21	722783902	BLIND RIVET		2	
23	544440701	RIVET		2	
25	506909701	SPRING WASHER		1	
26	544441201	SPRING		1	
27	506909902	SPACING TUBE		1	
28	725246051	SCREW EHHM		1	
29	734116401	WASHER		1	
31	544415701	BRACKET		1	
32	544440701	RIVET		2	

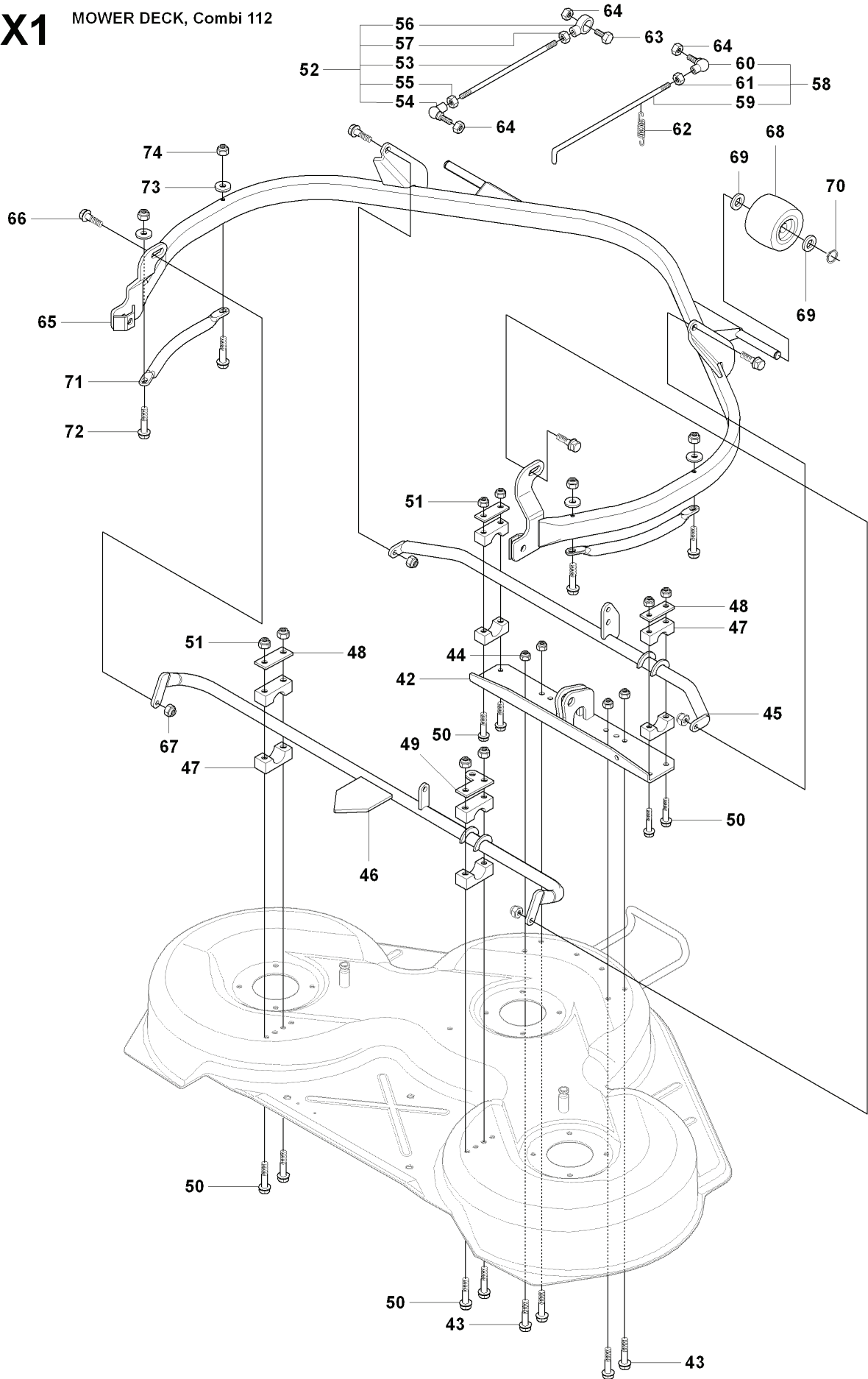
P2 Rider R15V2 ELECTRICAL



REF.	PART NO.	DESCRIPTION	REMARK	QTY.	KIT
10	544442101	IGNITION SWITCH		1	
14	502653401	WIRING		1	
15	544928601	CABLE		1	
16	544926104	CABLE		1	
17	544439801	RELAY		1	
18	506899801	NUT		2	
19	504558801	WIRING		1	
22	535469101	SWITCH		1	
24	506909601	SWITCH		1	
30	544415501	SWITCH		1	
33	502655701	SWITCH		1	
34	502653001	HOUR METER		1	
35	502466601	LAMP		2	

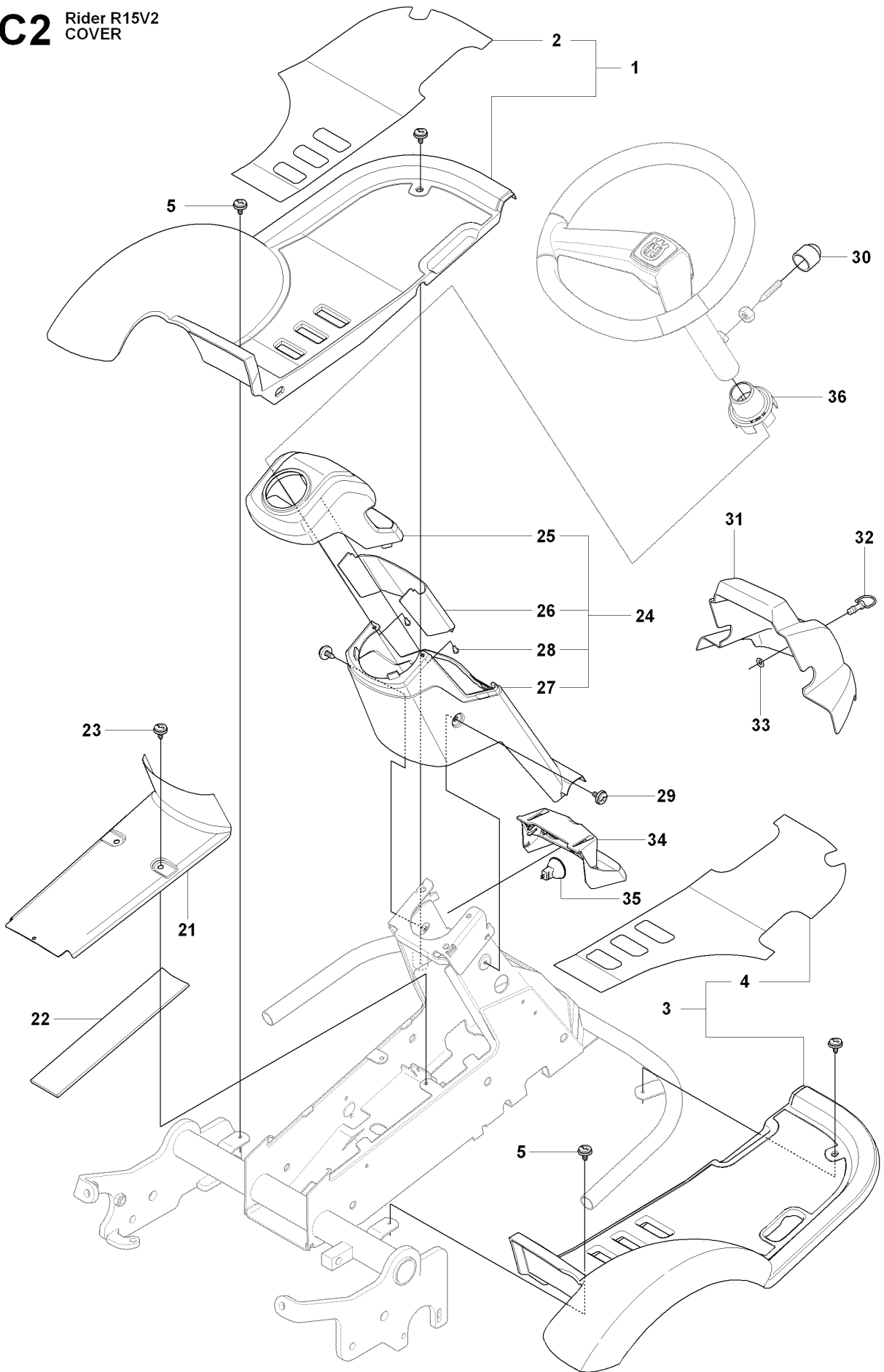
X1

MOWER DECK, Combi 112



REF.	PART NO.	DESCRIPTION	REMARK	QTY.	KIT
42	535423001	BRACKET		1	
43	725245171	SCREW EHHM		4	
44	732211801	LOCK NUT		4	
45	535430601	FRONT CROSS TUBE ASS		1	
46	535431201	REAR CROSS TUBES ASS		1	
47	506869601	BEARING		8	
48	506813801	REINFORCING PLATE		3	
49	506979101	SERVICEBRICKA		1	
50	725246151	SCREW EHHM		8	
51	732211801	LOCK NUT		8	
52	506933904	PARALLEL ROD ASSY		1	
53	506814906	ROD		1	
54	506789901	VINKELLÄNK DIN 71802		1	
55	506897601	NUT		1	
56	506951701	ROD END		1	
57	731232051	HEXAGON NUT		1	
58	506941206	CLUTCH ROD ASSY		1	
59	506941306	CONNECTION ROD		1	
60	506789901	VINKELLÄNK DIN 71802		1	
61	506897601	NUT		1	
62	506535603	DRAW SPRING		1	
63	725249571	SCREW EHHM		1	
64	732212051	NUT		3	
65	535412302	PROTECTIVE TUBING		1	
66	506597401	SCREW EHHFM		4	
67	732211801	LOCK NUT		4	
68	506963001	WHEEL ASSY		2	
69	535464101	WASHER		4	
70	735311700	CIRCLIP		2	
71	535476301	SIDE RAIL		2	
72	727638301	SCREW RSQM		4	
73	734115601	WASHER		4	
74	732211601	LOCK NUT		4	

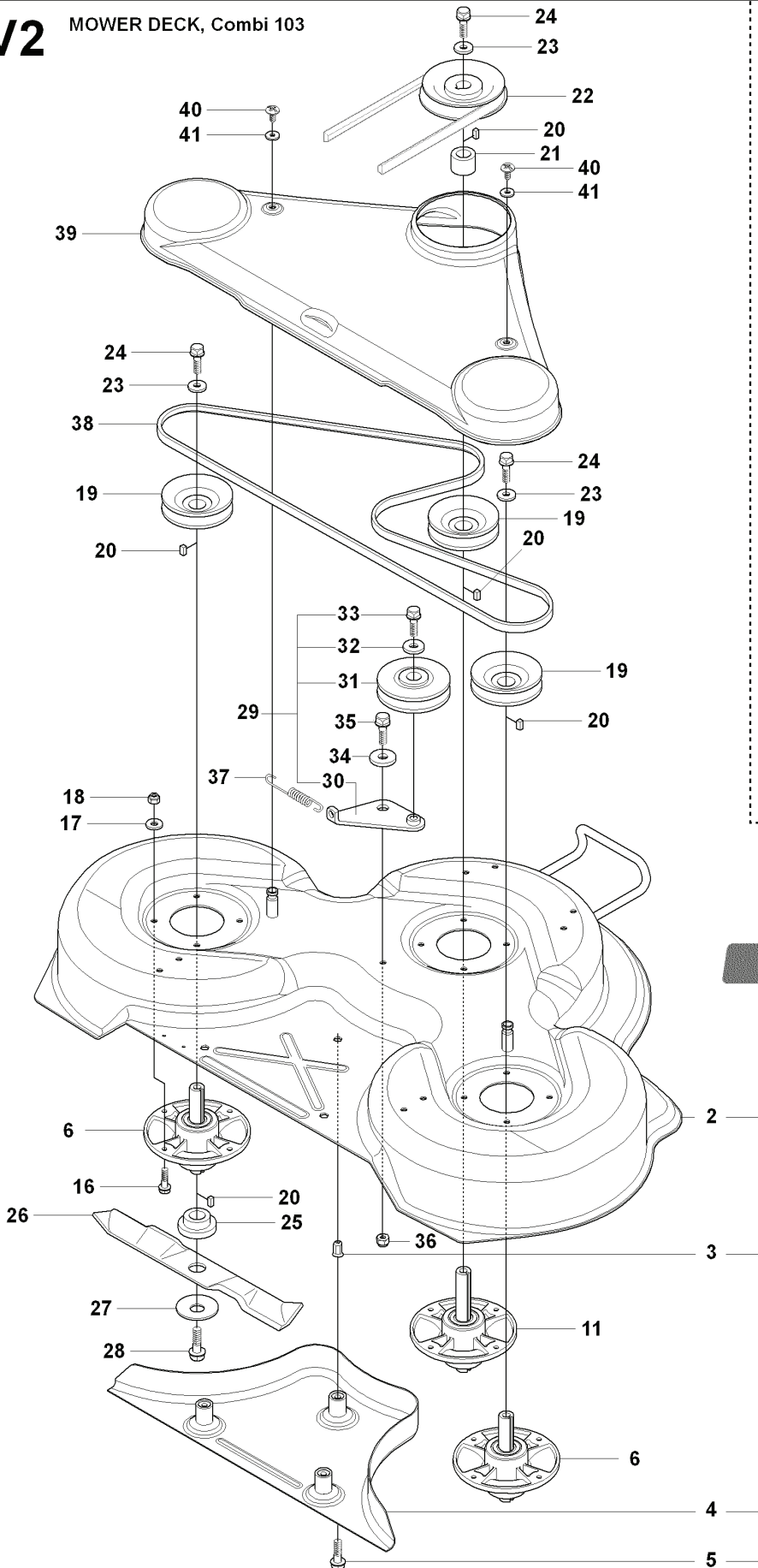
C2 Rider R15V2
COVER



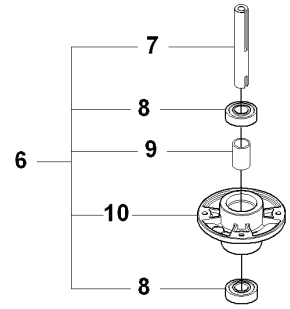
REF.	PART NO.	DESCRIPTION	REMARK	QTY.	KIT
1	544895901	FOOT PLATE		1	
2	544248401	MAT		1	
3	544895903	FOOT PLATE		1	
4	544248403	MAT		1	
5	544400501	SCREW		4	
21	544239201	COVER		1	
22	544427501	MAT		1	
23	544400501	SCREW		2	
24	502498201	COVER		1	
25	502297501	COVER		1	
26	502465801	LENS		1	
27	502297601	COVER		1	
28	729532771	SCREW CRPANT		2	
29	544400501	SCREW		2	
30	544433201	PROTECTIVE COVER		1	
31	535433901	COVER		1	
32	506963501	VRIDTAPP		1	
33	506963601	WASHER		1	
34	502300201	LAMPHOLDER		1	
35	502466601	LAMP		2	
36	535460501	SEALING		1	

V2

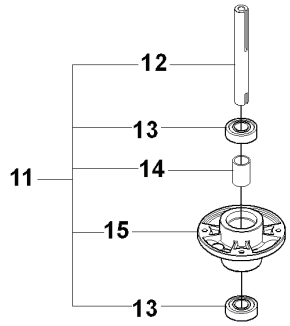
MOWER DECK, Combi 103



Yttre.
Outer.
Exterieur.
Äusser.
Ulko.



Mitten.
Centre.
Centre.
Zentrum.
Keski.



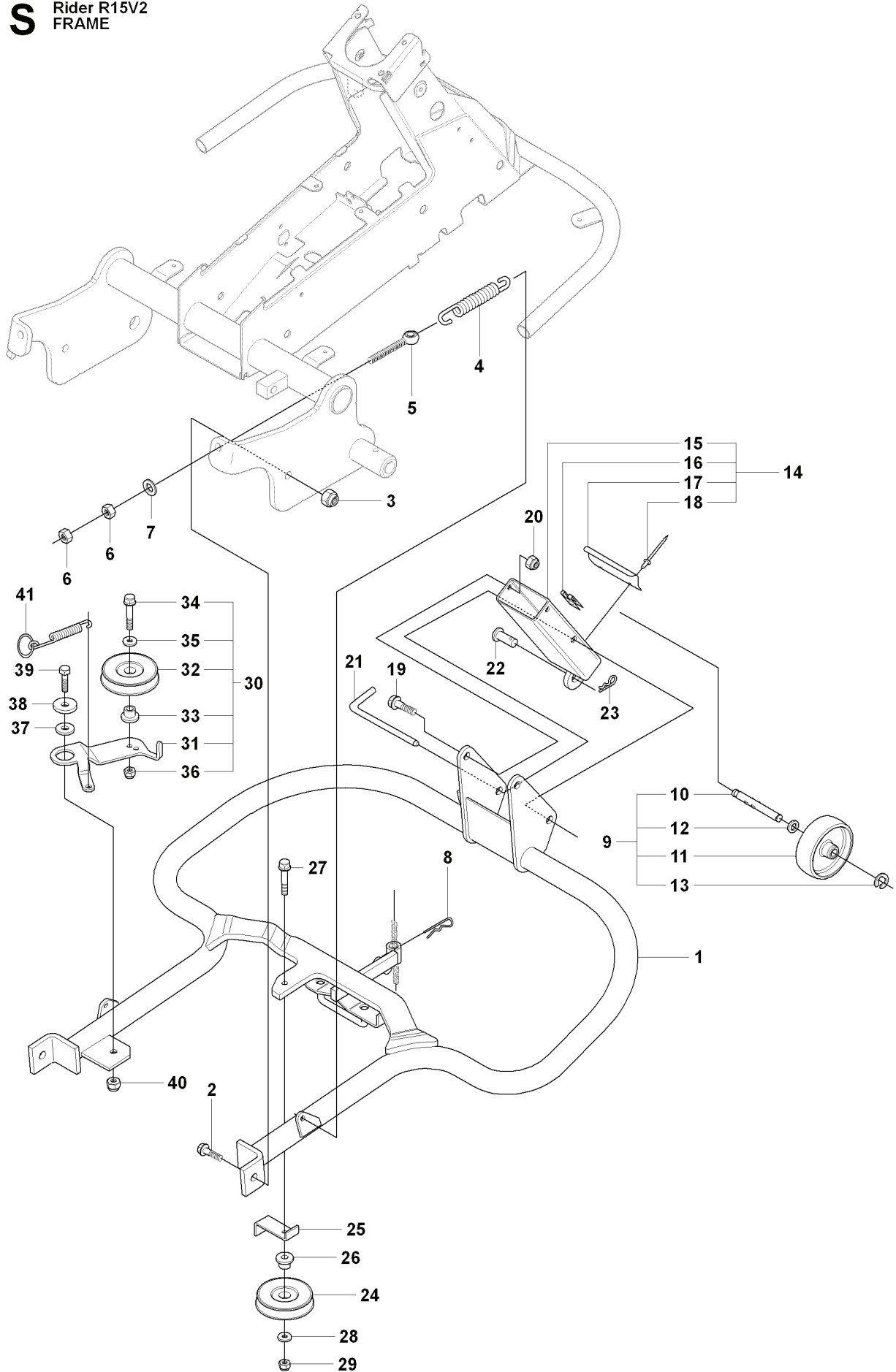
76
Combi 103



75

REF.	PART NO.	DESCRIPTION	REMARK	QTY.	KIT
1	544112903	CUTTING DECK		1	
2	544112801	CUTTING DECK		1	
3	506916201	NUT		3	
4	544449201	PLUG		1	
5	506570104	SCREW EHHFM		3	
6	544065901	BLADE HOUSING ASSY		2	
7	544067902	SHAFT		1	
8	738230434	BALL BEARING		2	
9	544068001	SPACING SLEEVE		1	
10	544067801	BEARING HOUSING		1	
11	544065902	BLADE HOUSING ASSY		1	
12	544067901	SHAFT		1	
13	738230434	BALL BEARING		2	
14	544068001	SPACING SLEEVE		1	
15	544067801	BEARING HOUSING		1	
16	535423801	SCREW RSQM		12	
17	734116401	WASHER		12	
18	732211801	LOCK NUT		12	
19	506922101	PULLEY		3	
20	506533501	PARALLEL KEY		7	
21	544068002	SPACING SLEEVE		1	
22	506778601	PULLEY		1	
23	734117441	WASHER		3	
24	544114101	SCREW EHHM		3	
25	535504202	ADAPTER		3	
26	504188210	BLADE		3	
27	506792301	KNIFE PLATE		3	
28	544114101	SCREW EHHM		3	
29	506540701	BELT TENSIONER ASSY		1	
30	506519501	SPÄNNARM KPL.		1	
31	506532701	PULLEY		1	
32	734116441	WASHER		1	
33	506558302	SCREW EHHFT		1	
34	506918702	WASHER		1	
35	725245171	SCREW EHHM		1	
36	732211801	LOCK NUT		1	
37	506533101	SPRING		1	
38	589530601	BELT		1	
39	544096101	BELT COVER		1	
40	506982601	SCREW		2	
41	506559701	WASHER		2	
75	506789701	LABEL		1	
76	544238103	LABEL		1	

S Rider R15V2
FRAME



REF.	PART NO.	DESCRIPTION	REMARK	QTY.	KIT
1	535471001	DECK ATTACHMENT ASSY		1	
2	506895801	COLLAR SCREW		2	
3	732252201	HEXAGON LOCKING NUT		2	
4	506837601	SPRING		2	
5	506837701	RING BOLT		2	
6	731232051	HEXAGON NUT		4	
7	734117201	WASHER		2	
8	506966601	HAIR PIN COTTER		1	
9	506981401	WHEEL ASSY		2	
10	506980001	SHAFT		1	
11	506979601	WHEEL		1	
12	734117771	WASHER		1	
13	735311520	E-CLIP		1	
14	506997801	LINK ASSY		1	
15	506997901	LINK ASSY		1	
16	506963701	LÅSDON		1	
17	506982801	BRACKET		1	
18	722783902	BLIND RIVET		2	
19	506597401	SCREW EHHFM		2	
20	732211801	LOCK NUT		2	
21	506974601	PEN		1	
22	721861701	CLEVIS PIN		1	
23	721680251	SPRING COTTER		1	
24	506974801	PULLEY		1	
25	506975001	BELT GUIDE		1	
26	506826801	BUSHING		1	
27	725246151	SCREW EHHM		1	
28	734116441	WASHER		1	
29	732211801	LOCK NUT		1	
30	506976201	BELT TENSIONER ASSY		1	
31	506976301	SPÄNNARM		1	
32	506532701	PULLEY		1	
33	506826801	BUSHING		1	
34	725245751	SCREW		1	
35	734116441	WASHER		1	
36	732211801	LOCK NUT		1	
37	506597501	WASHER		1	
38	506982501	WASHER		1	
39	725249571	SCREW EHHM		1	
40	732212051	NUT		1	
41	506976801	SPRING		1	