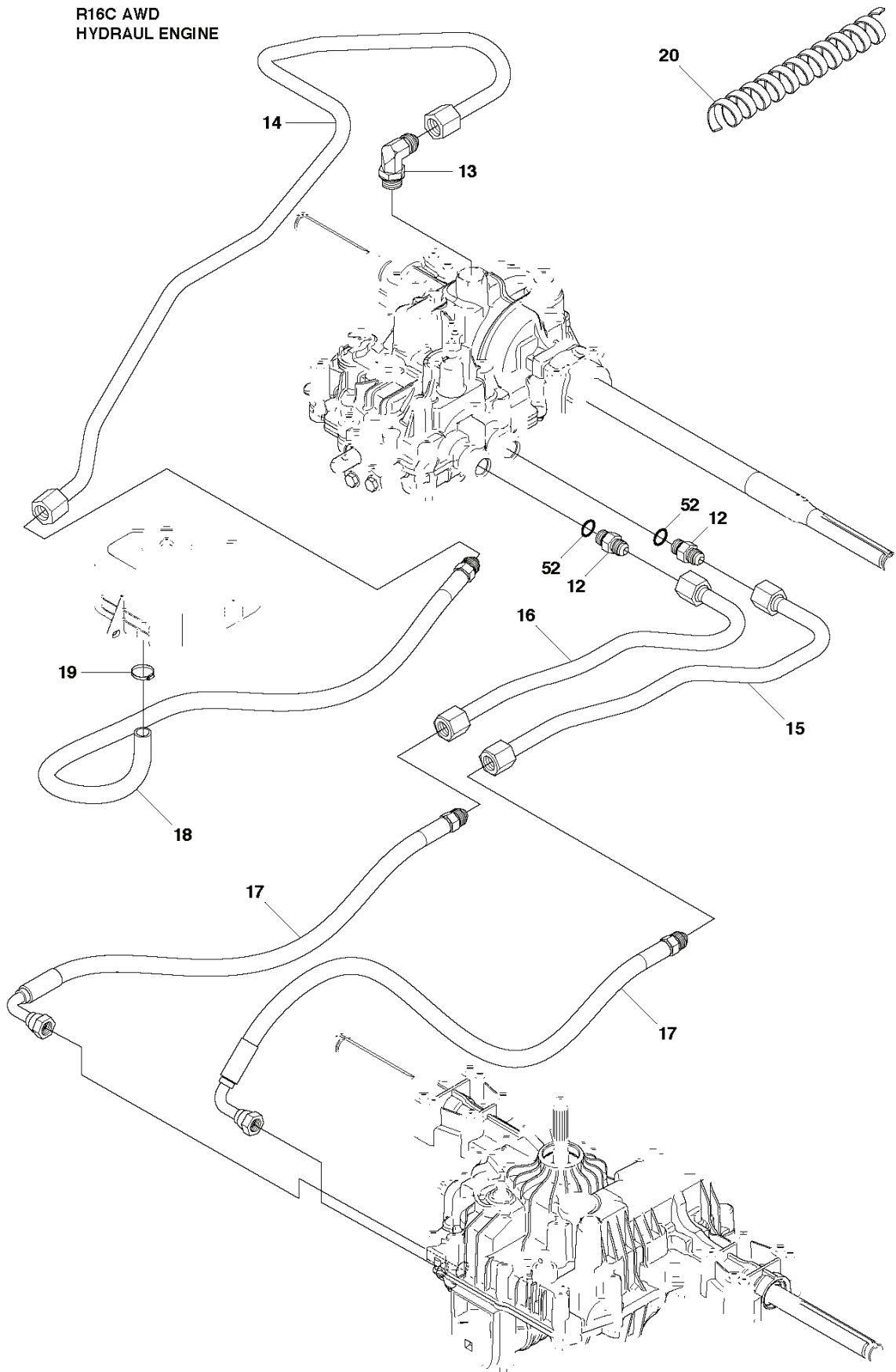


RIDER 16 C AWD, 966830301, 2010-07

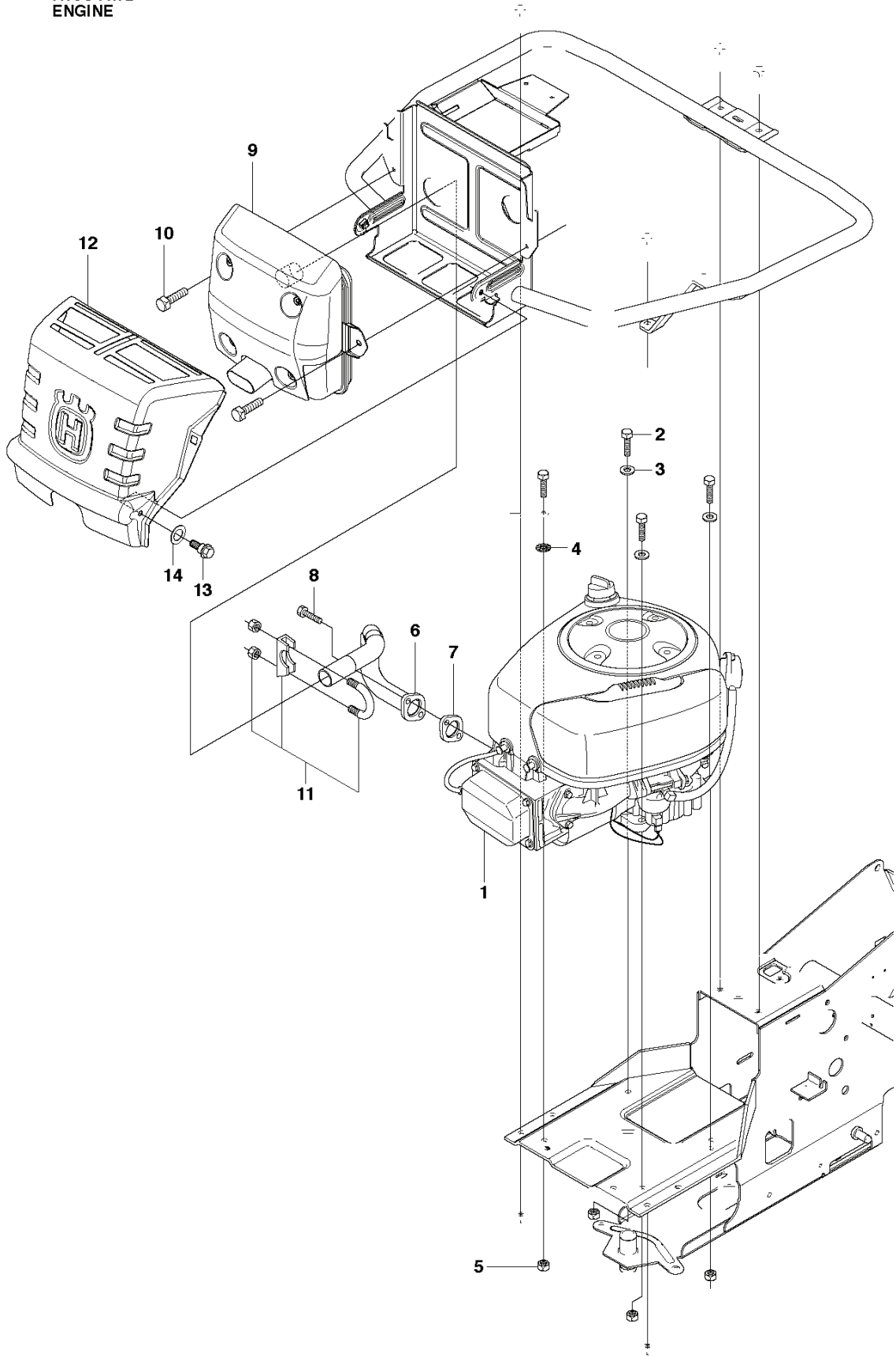
SPARE PARTS LIST

R16C AWD
HYDRAUL ENGINE



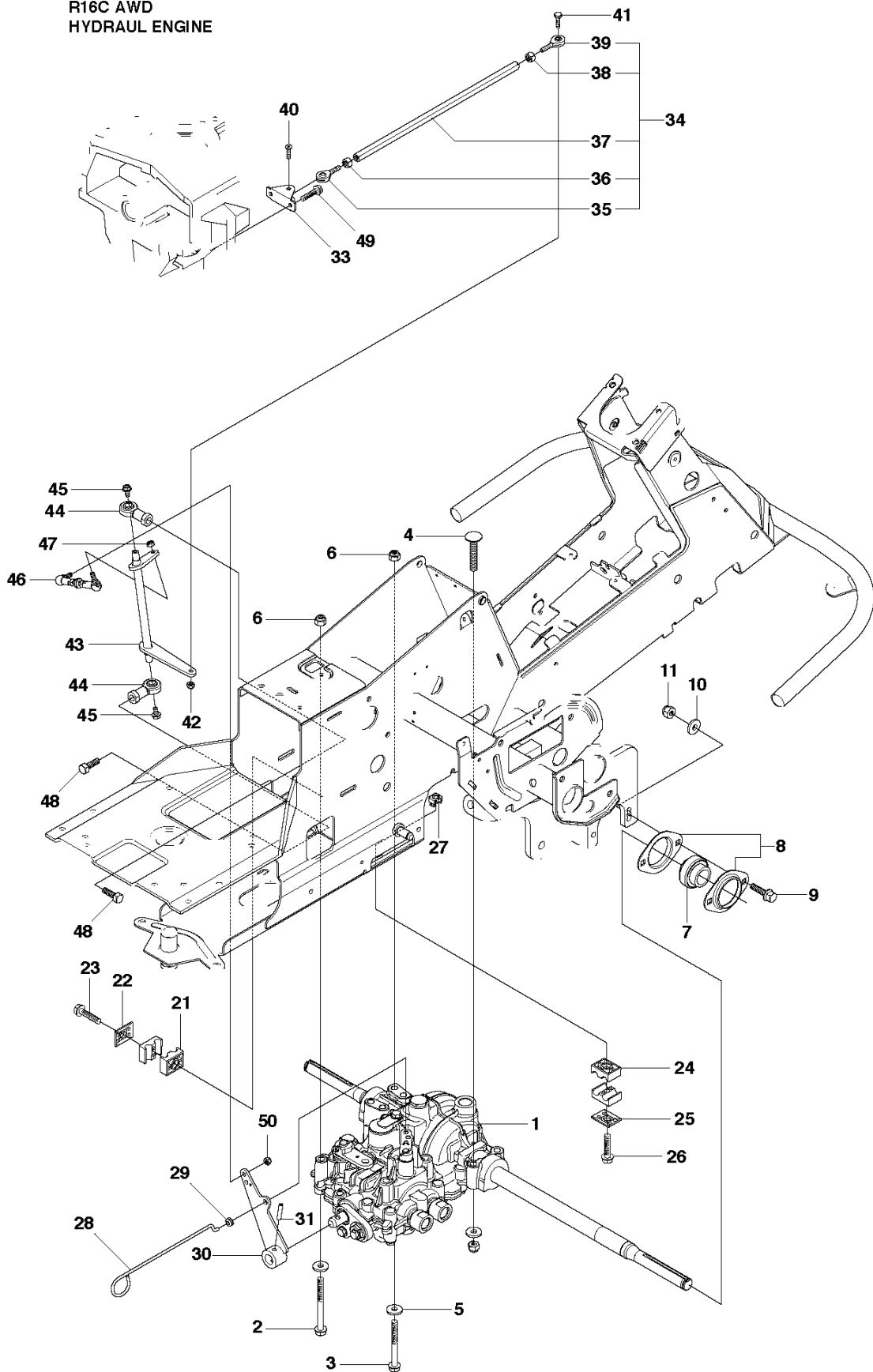
| REF. | PART NO. | DESCRIPTION | REMARK | QTY. | KIT |
|------|-----------|----------------|--------|------|-----|
| 12 | 535426806 | PIPE FITTING | | 2 | |
| 13 | 535437302 | PIPE FITTING | | 1 | |
| 14 | 525491201 | HYDRAULIC PIPE | | 1 | |
| 15 | 544807901 | HYDRAULIC PIPE | | 1 | |
| 16 | 544808001 | HYDRAULIC PIPE | | 1 | |
| 17 | 544456403 | HYDRAULIC HOSE | | 2 | |
| 18 | 522429802 | HYDRAULIC HOSE | | 1 | |
| 19 | 505131101 | HOSE CLAMP | | 1 | |
| 20 | 544026603 | HOSE GUARD | | 1 | |
| 52 | 505451101 | O-RING | | 2 | |

R16C AWD
ENGINE



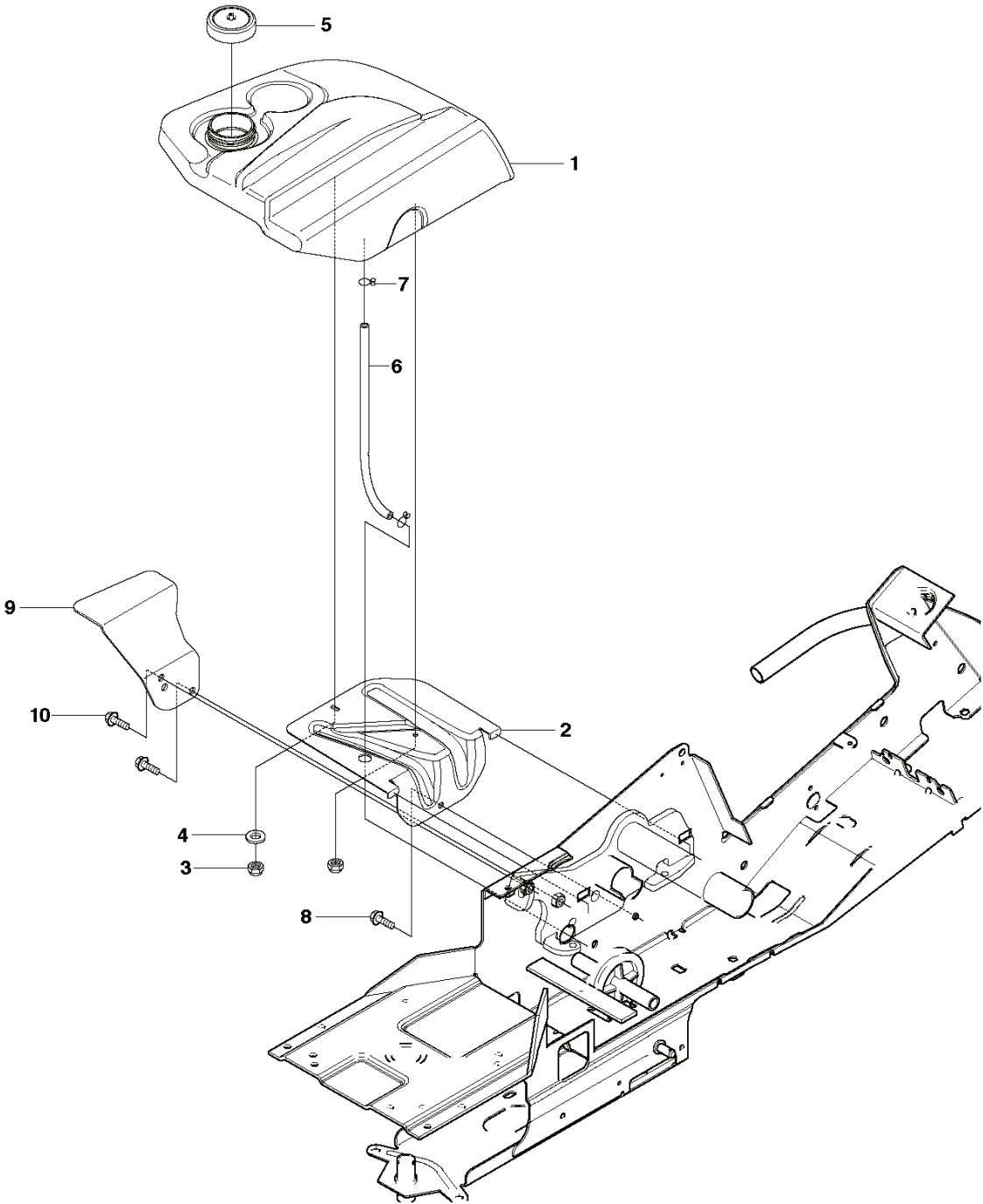
| REF. | PART NO. | DESCRIPTION | REMARK | QTY. | KIT |
|------|-----------|-------------------|--------|------|-----|
| 1 | 544452801 | ENGINE | | 1 | |
| 2 | 725245751 | SCREW | | 4 | |
| 3 | 734116401 | WASHER | | 3 | |
| 4 | 735216400 | LOCKWASHER | | 1 | |
| 5 | 732211801 | LOCK NUT | | 4 | |
| 6 | 535500602 | EXHAUST PIPE ASSY | | 1 | |
| 7 | 506914501 | GASKET | | 1 | |
| 8 | 506556301 | SCREW UNC | | 2 | |
| 9 | 544335701 | MUFFLER ASSY | | 1 | |
| 10 | 725236461 | SCREW EHHFT | | 2 | |
| 11 | 506668401 | CLAMP ASSY | | 1 | |
| 12 | 544248301 | HEAT PROTECTOR | | 1 | |
| 13 | 506597401 | SCREW EHHFM | | 2 | |
| 14 | 506839401 | SPRING WASHER | | 2 | |

R16C AWD
HYDRAUL ENGINE



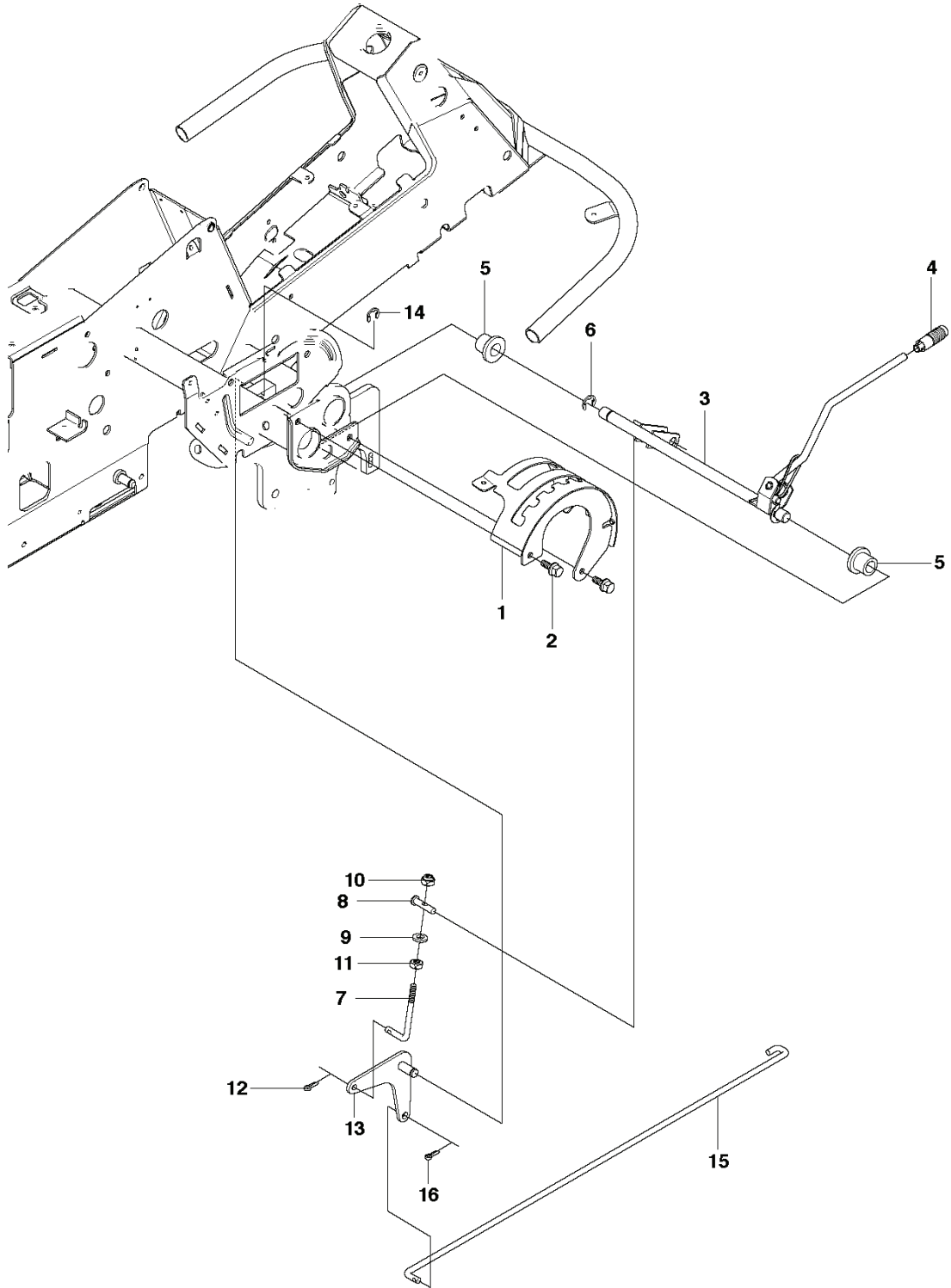
| REF. | PART NO. | DESCRIPTION | REMARK | QTY. | KIT |
|------|-----------|-----------------------|--------|------|-----|
| 1 | 575484301 | TRANSMISSION | | 1 | |
| 2 | 725246751 | SCREW EHHM | | 1 | |
| 3 | 725246451 | SCREW EHHM | | 1 | |
| 4 | 535423803 | SCREW RSQM | | 1 | |
| 5 | 734116401 | WASHER | | 3 | |
| 6 | 732211801 | LOCK NUT | | 3 | |
| 7 | 544008902 | BEARING | | 1 | |
| 8 | 544009002 | BEARING HOUSING | | 1 | |
| 9 | 506570105 | SCREW EHHFM | | 2 | |
| 10 | 734116401 | WASHER | | 2 | |
| 11 | 732211801 | LOCK NUT | | 2 | |
| 21 | 544373303 | PIPE CLAMP | | 1 | |
| 22 | 535438501 | COVER WASHER | | 1 | |
| 23 | 725237861 | SCREW EHHFT | | 1 | |
| 24 | 544373302 | PIPE CLAMP | | 1 | |
| 25 | 544373802 | COVER PLATE | | 1 | |
| 26 | 506570107 | SCREW EHHFM | | 1 | |
| 27 | 544811701 | CAGE NUT | | 1 | |
| 28 | 535499701 | ARM | | 1 | |
| 29 | 503735801 | BUSHING | | 1 | |
| 30 | 544435201 | LEVER | | 1 | |
| 31 | 721434701 | SPRING PIN | | 1 | |
| 33 | 535492802 | BRACKET | | 1 | |
| 34 | 544456703 | ROD | | 1 | |
| 35 | 535486602 | ROD END | | 1 | 34 |
| 36 | 503221018 | HEXAGON NUT | | 1 | 34 |
| 37 | 535486503 | ROD | | 1 | 34 |
| 38 | 731231601 | HEXAGON NUT | | 1 | 34 |
| 39 | 535486601 | ROD END | | 1 | 34 |
| 40 | 544841701 | SCREW | | 1 | |
| 41 | 725237071 | SCREW EHHM | | 1 | |
| 42 | 732251601 | HEXAGON LOCKING NUT | | 1 | |
| 43 | 535497401 | LEVER | | 1 | |
| 44 | 506951701 | ROD END | | 2 | |
| 45 | 535475212 | SCREW EHHFM | | 2 | |
| 46 | 544441901 | ADJUSTMENT ROD | | 1 | |
| 47 | 732251601 | HEXAGON LOCKING NUT | | 1 | |
| 48 | 725249371 | SCREW EHHM | | 2 | |
| 49 | 725236651 | HEXAGONAL SCREW M6X12 | | 2 | |
| 50 | 732211601 | LOCK NUT | | 1 | |

R16C AWD
FUEL SYSTEM



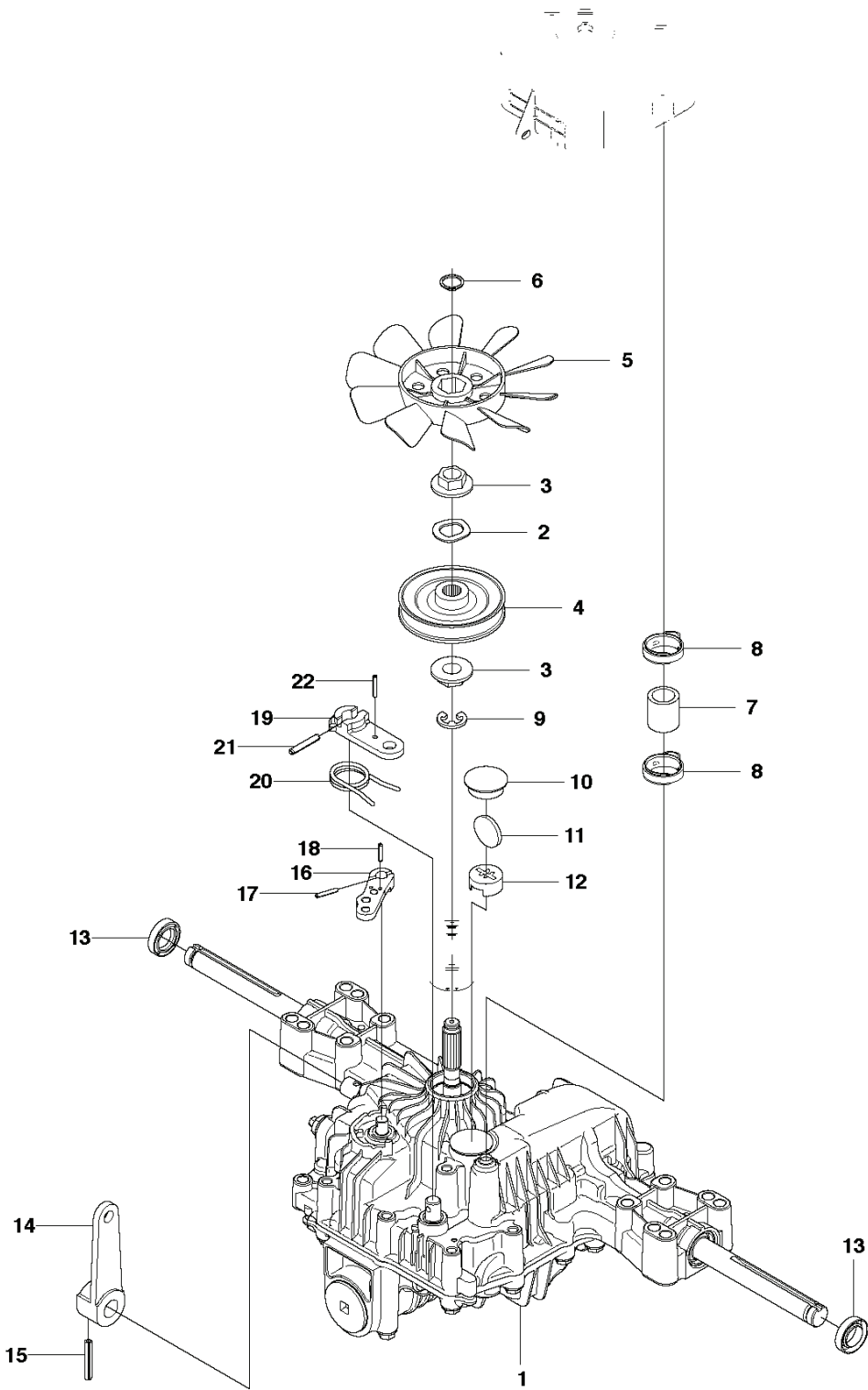
| REF. | PART NO. | DESCRIPTION | REMARK | QTY. | KIT |
|------|-----------|---------------|--------|------|-----|
| 1 | 535501301 | FUEL TANK | | 1 | |
| 2 | 544329301 | BRACKET | | 1 | |
| 3 | 732211601 | LOCK NUT | | 2 | |
| 4 | 734115601 | WASHER | | 1 | |
| 5 | 506673301 | TANK CAP ASSY | | 1 | |
| 6 | 504800007 | FUEL HOSE | | 1 | |
| 7 | 535469701 | HOSE BRACE | | 2 | |
| 8 | 725236461 | SCREW EHHFT | | 1 | |
| 9 | 501020301 | SUPPORT | | 1 | |
| 10 | 725249371 | SCREW EHHM | | 2 | |

R16C AWD
HEIGHT ADJUSTMENT



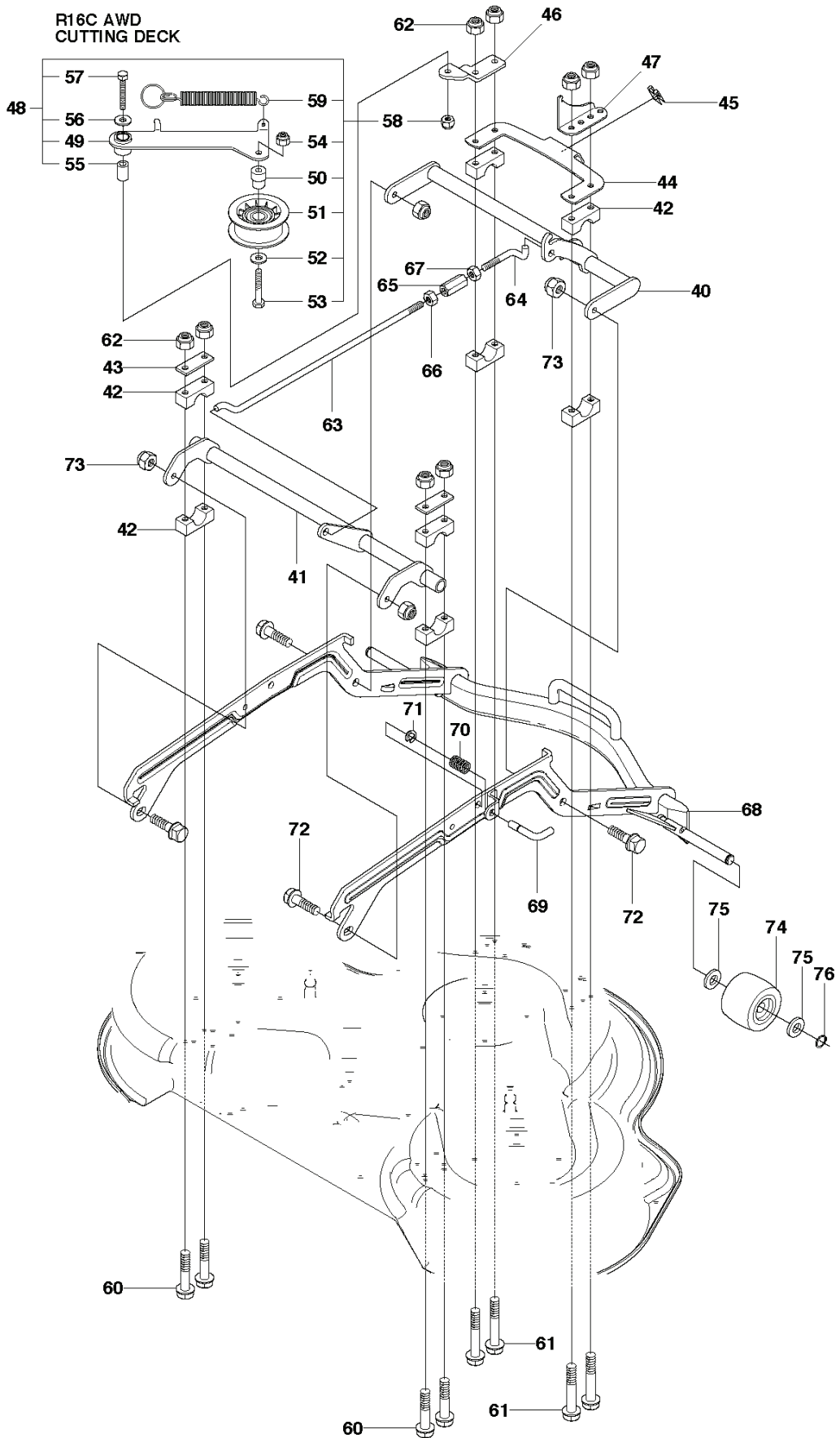
| REF. | PART NO. | DESCRIPTION | REMARK | QTY. | KIT |
|------|-----------|----------------|--------|------|-----|
| 1 | 535501401 | CONTROL PLATE | | 1 | |
| 2 | 506570103 | SCREW EHHFM | | 2 | |
| 3 | 504734501 | ADJUSTER | | 1 | |
| 4 | 506542001 | HANDLE | | 1 | |
| 5 | 506554301 | BEARING | | 2 | |
| 6 | 735312220 | E-CLIP | | 1 | |
| 7 | 506908201 | HEIGHT ROD | | 1 | |
| 8 | 506784601 | PEN | | 1 | |
| 9 | 734117201 | WASHER | | 1 | |
| 10 | 732211801 | LOCK NUT | | 1 | |
| 11 | 731231801 | HEXAGON NUT | | 1 | |
| 12 | 721618301 | SPLIT PIN | | 1 | |
| 13 | 544227701 | LINK | | 1 | |
| 14 | 735311520 | E-CLIP | | 1 | |
| 15 | 544227001 | CONNECTION ROD | | 1 | |
| 16 | 721618301 | SPLIT PIN | | 1 | |

R16C AWD
HYDROSTAT K574 SP



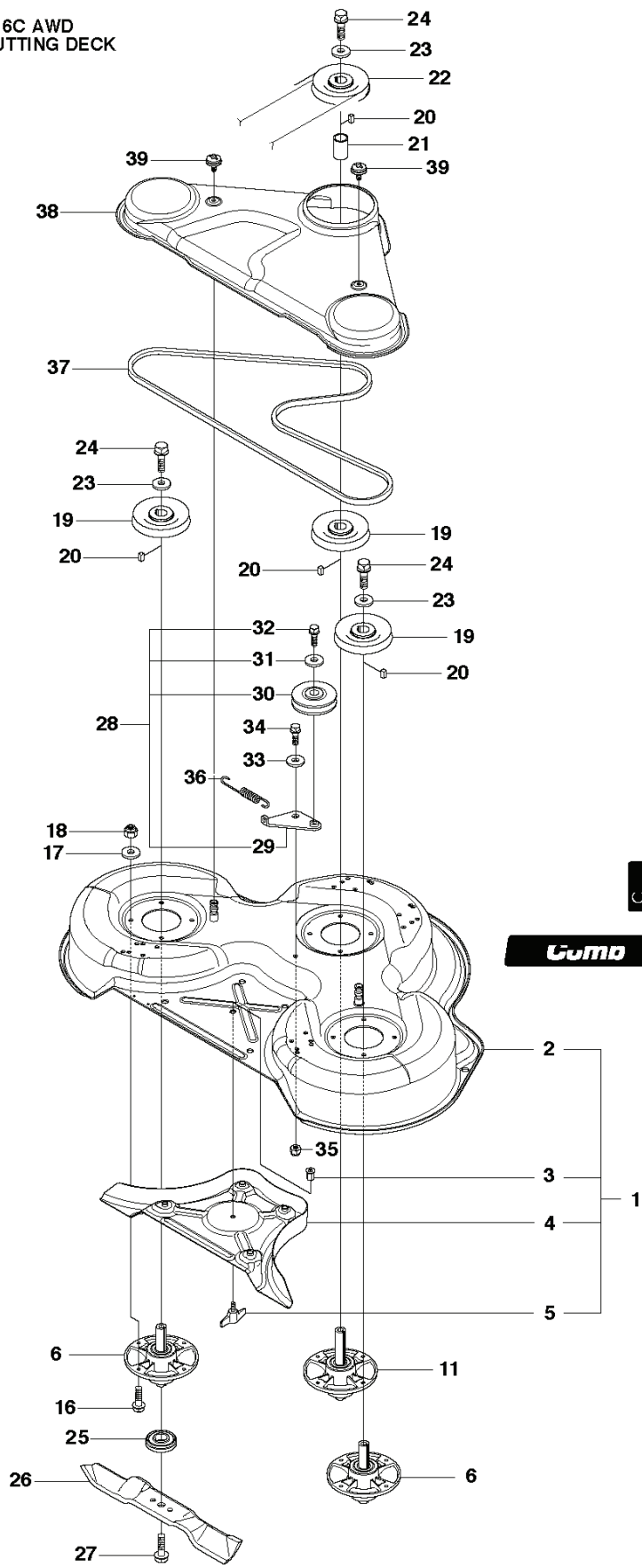
| REF. | PART NO. | DESCRIPTION | REMARK | QTY. | KIT |
|------|-----------|---------------------|--------|------|-----|
| 1 | 544116101 | TRANSMISSION | | 1 | |
| 2 | 506986501 | SPRING WASHER | | 1 | |
| 3 | 506986601 | DISTANCE | | 2 | |
| 4 | 502451901 | PULLEY | | 1 | |
| 5 | 506986801 | FAN | | 1 | |
| 6 | 735311500 | CIRCLIP | | 1 | |
| 7 | 502451601 | TUBE | | 1 | |
| 8 | 506987001 | HOSE CLAMP | | 2 | |
| 9 | 535402807 | CLIP | | 1 | 1 |
| 10 | 535402832 | PLUG | | 1 | 1 |
| 11 | 535402829 | MAGNET | | 1 | 1 |
| 12 | 535402830 | HOLDER | | 1 | 1 |
| 13 | 535402837 | SEALING | | 2 | 1 |
| 14 | 502453201 | CONTROL LEVER | | 1 | 1 |
| 15 | 535402809 | PIN RETAINING SCREW | | 1 | 1 |
| 16 | 535402817 | LEVER | | 1 | 1 |
| 17 | 535402816 | PIN RETAINING SCREW | | 1 | 1 |
| 18 | 535402833 | PIN RETAINING SCREW | | 1 | 1 |
| 19 | 535402838 | LEVER | | 1 | 1 |
| 20 | 535402839 | SPRING | | 1 | 1 |
| 21 | 535402840 | PIN RETAINING SCREW | | 1 | 1 |
| 22 | 535402841 | PIN | | 1 | 1 |

R16C AWD
CUTTING DECK

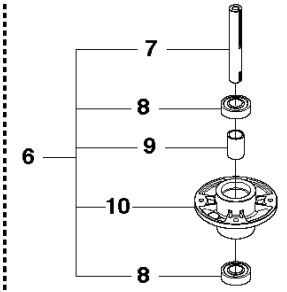


| REF. | PART NO. | DESCRIPTION | REMARK | QTY. | KIT |
|------|-----------|----------------------|--------|------|-----|
| 40 | 544220701 | CROSS BAR | | 1 | |
| 41 | 544225901 | CROSS BAR | | 1 | |
| 42 | 506869601 | BEARING | | 8 | |
| 43 | 506813801 | REINFORCING PLATE | | 2 | |
| 44 | 544379101 | BRACKET | | 1 | |
| 45 | 506963701 | LÂSDON | | 1 | |
| 46 | 544405101 | BRACKET | | 1 | |
| 47 | 544405201 | BRACKET | | 8 | |
| 48 | 544835601 | BELT TENSIONER ASSY | | 8 | |
| 49 | 544836601 | BELT TENSIONER | | 1 | 48 |
| 50 | 506976402 | BUSHING | | 1 | 48 |
| 51 | 506793202 | BELT TENSIONER WHEEL | | 1 | 48 |
| 52 | 734116441 | WASHER | | 1 | 48 |
| 53 | 725245951 | SCREW EHHM | | 1 | 48 |
| 54 | 732211801 | LOCK NUT | | 1 | 48 |
| 55 | 506992001 | PIPE | | 1 | 48 |
| 56 | 734116441 | WASHER | | 1 | 48 |
| 57 | 725246051 | SCREW EHHM | | 1 | 48 |
| 58 | 732211801 | LOCK NUT | | 1 | 48 |
| 59 | 506976801 | SPRING | | 1 | 48 |
| 60 | 725246151 | SCREW EHHM | | 4 | |
| 61 | 725246251 | SCREW EHHM | | 4 | |
| 62 | 732211801 | LOCK NUT | | 8 | |
| 63 | 544226901 | PARALLEL ROD | | 1 | |
| 64 | 544451401 | PARALLEL ROD | | 1 | |
| 65 | 544451501 | ADJUSTMENT ROD | | 1 | |
| 66 | 506897601 | NUT | | 1 | |
| 67 | 731232051 | HEXAGON NUT | | 1 | |
| 68 | 544213301 | DECK ATTACHMENT | | 1 | |
| 69 | 544213901 | LOCKING PIN | | 1 | |
| 70 | 544214101 | SPRING | | 1 | |
| 71 | 735311320 | E-CLIP | | 1 | |
| 72 | 506597401 | SCREW EHHFM | | 4 | |
| 73 | 732211801 | LOCK NUT | | 4 | |
| 74 | 506963001 | WHEEL ASSY | | 2 | |
| 75 | 535464101 | WASHER | | 4 | |
| 76 | 735311700 | CIRCLIP | | 2 | |

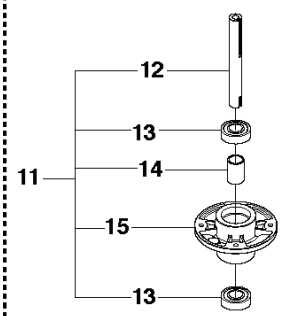
R16C AWD
CUTTING DECK



Yttre.
Outer.
Exterieur.
Äusser.
Ulko.

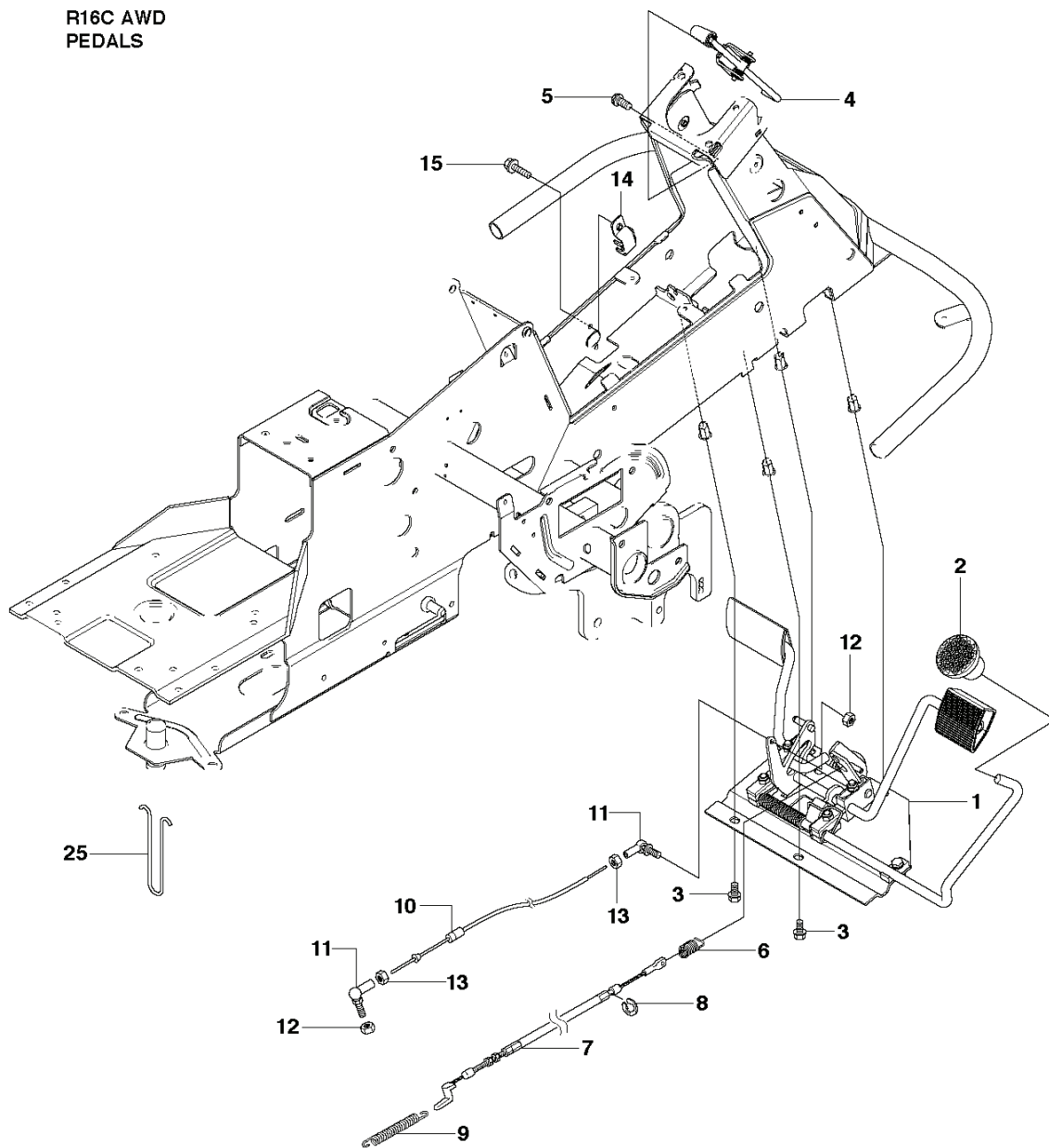


Mitten.
Centre.
Centre.
Zentrum.
Keski.

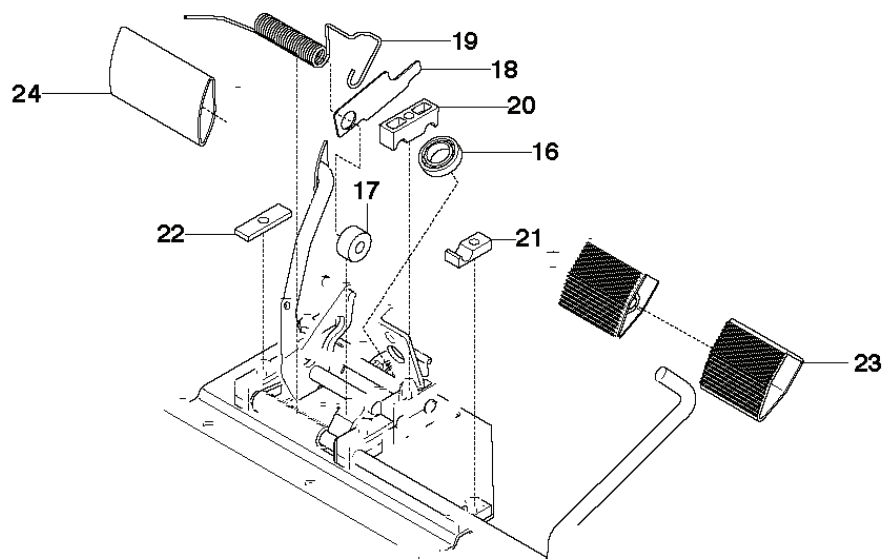


| REF. | PART NO. | DESCRIPTION | REMARK | QTY. | KIT |
|------|-----------|----------------------|--------|------|-----|
| 1 | 544065704 | CUTTING DECK | | 1 | |
| 2 | 544065506 | DECK SHELL ASSY | | 1 | 1 |
| 3 | 506916201 | NUT | | 1 | 1 |
| 4 | 544065801 | PLUG | | 1 | 1 |
| 5 | 544066101 | KNOB | | 1 | 1 |
| 6 | 544065901 | BLADE HOUSING ASSY | | 2 | |
| 7 | 544067902 | SHAFT | | 1 | 6 |
| 8 | 738230434 | BALL BEARING | | 2 | 6 |
| 9 | 544068001 | SPACING SLEEVE | | 1 | 6 |
| 10 | 544067801 | BEARING HOUSING | | 1 | 6 |
| 11 | 544065903 | BLADE HOUSING ASSY | | 1 | |
| 12 | 544067901 | SHAFT | | 1 | 11 |
| 13 | 738230434 | BALL BEARING | | 2 | 11 |
| 14 | 544068001 | SPACING SLEEVE | | 1 | 11 |
| 15 | 544067801 | BEARING HOUSING | | 1 | 11 |
| 16 | 535423801 | SCREW RSQM | | 12 | |
| 17 | 734116401 | WASHER | | 12 | |
| 18 | 732211801 | LOCK NUT | | 12 | |
| 19 | 506922101 | PULLEY | | 3 | |
| 20 | 506533501 | PARALLEL KEY | | 4 | |
| 21 | 544068003 | SPACING SLEEVE | | 1 | |
| 22 | 506778601 | PULLEY | | 1 | |
| 23 | 734117441 | WASHER | | 3 | |
| 24 | 506675402 | SCREW EHHFM | | 3 | |
| 25 | 544064901 | BLADE HOLDER | | 3 | |
| 26 | 579652510 | BLADE | | 3 | |
| 27 | 506675402 | SCREW EHHFM | | 3 | |
| 28 | 506797301 | BELT TENSIONER ASSY | | 1 | |
| 29 | 506797101 | SPÄNNARM KPL. | | 1 | 28 |
| 30 | 506793201 | BELT TENSIONER WHEEL | | 1 | 28 |
| 31 | 734116441 | WASHER | | 1 | 28 |
| 32 | 506558302 | SCREW EHHFT | | 1 | 28 |
| 33 | 506918702 | WASHER | | 1 | |
| 34 | 725245171 | SCREW EHHM | | 1 | |
| 35 | 732211801 | LOCK NUT | | 1 | |
| 36 | 506533101 | SPRING | | 1 | |
| 37 | 589530701 | BELT | | 1 | |
| 38 | 522821901 | BELT COVER | | 1 | |
| 39 | 544400501 | SCREW | | 2 | |
| 77 | 506789701 | LABEL | | 1 | |
| 78 | 544238101 | LABEL | | 1 | |

R16C AWD
PEDALS

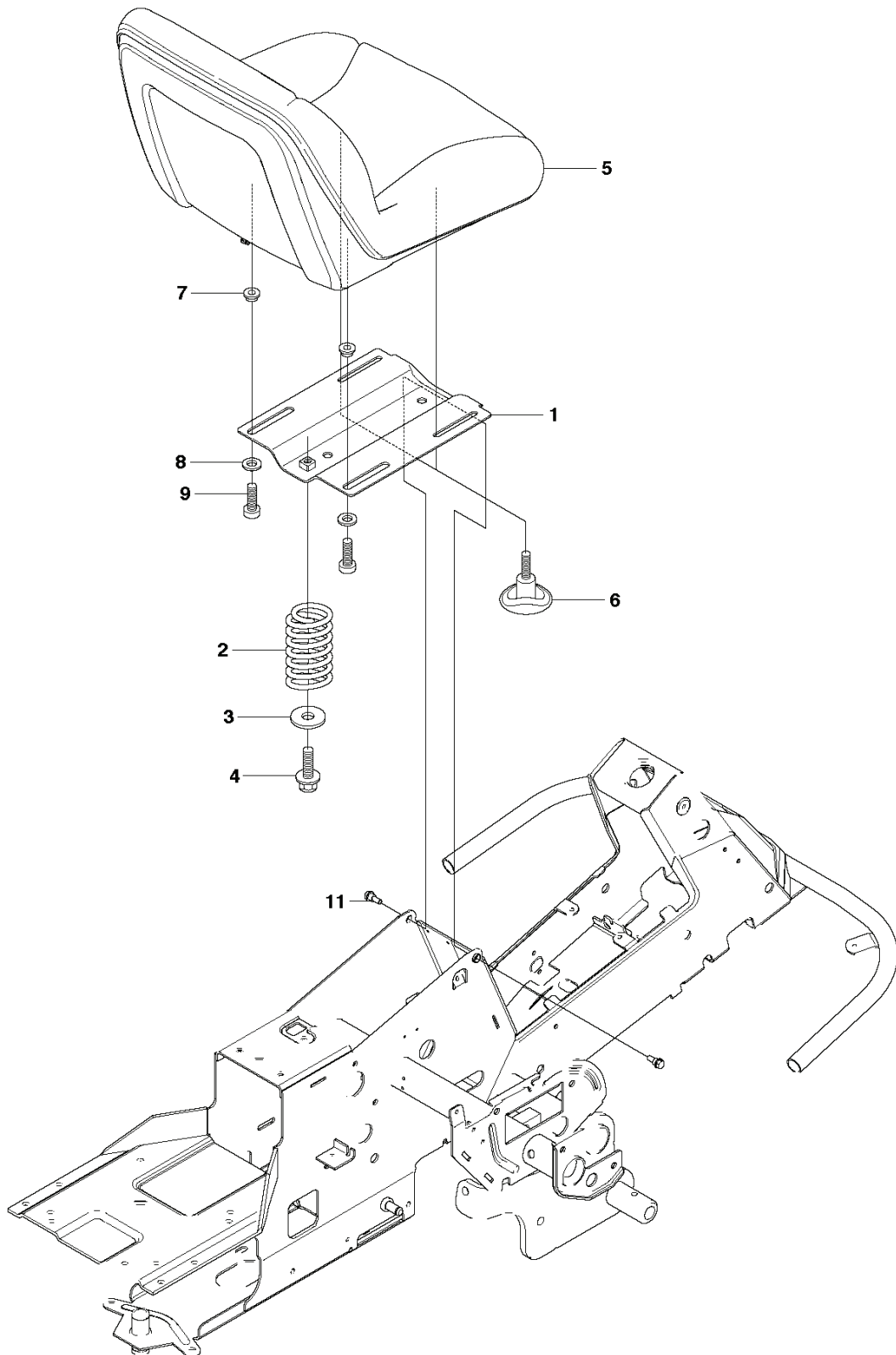


| REF. | PART NO. | DESCRIPTION | REMARK | QTY. | KIT |
|------|-----------|---------------------|--------|------|-----|
| 1 | 544126001 | PEDAL PLATE ASSY | | 1 | |
| 2 | 535473701 | KNOB | | 1 | |
| 3 | 506570104 | SCREW EHHFM | | 4 | |
| 4 | 544403101 | BRAKE LEVER ASSY | | 1 | |
| 5 | 725236461 | SCREW EHHFT | | 2 | |
| 6 | 506946301 | BRAKE SPRING | | 1 | |
| 7 | 535489601 | BRAKE WIRE | | 1 | |
| 8 | 735310920 | E-CLIP | | 1 | |
| 9 | 506535603 | DRAW SPRING | | 1 | |
| 10 | 574411202 | CONTROL CABLE | | 1 | |
| 11 | 506557301 | VINKELLAS8 DIN71802 | | 2 | |
| 12 | 732211401 | LOCK NUT | | 2 | |
| 13 | 731231401 | HEXAGON NUT | | 2 | |
| 14 | 522430801 | BRACKET | | 1 | |
| 15 | 725236461 | SCREW EHHFT | | 1 | |
| 25 | 506576402 | CABLE HOLDER | | 1 | |



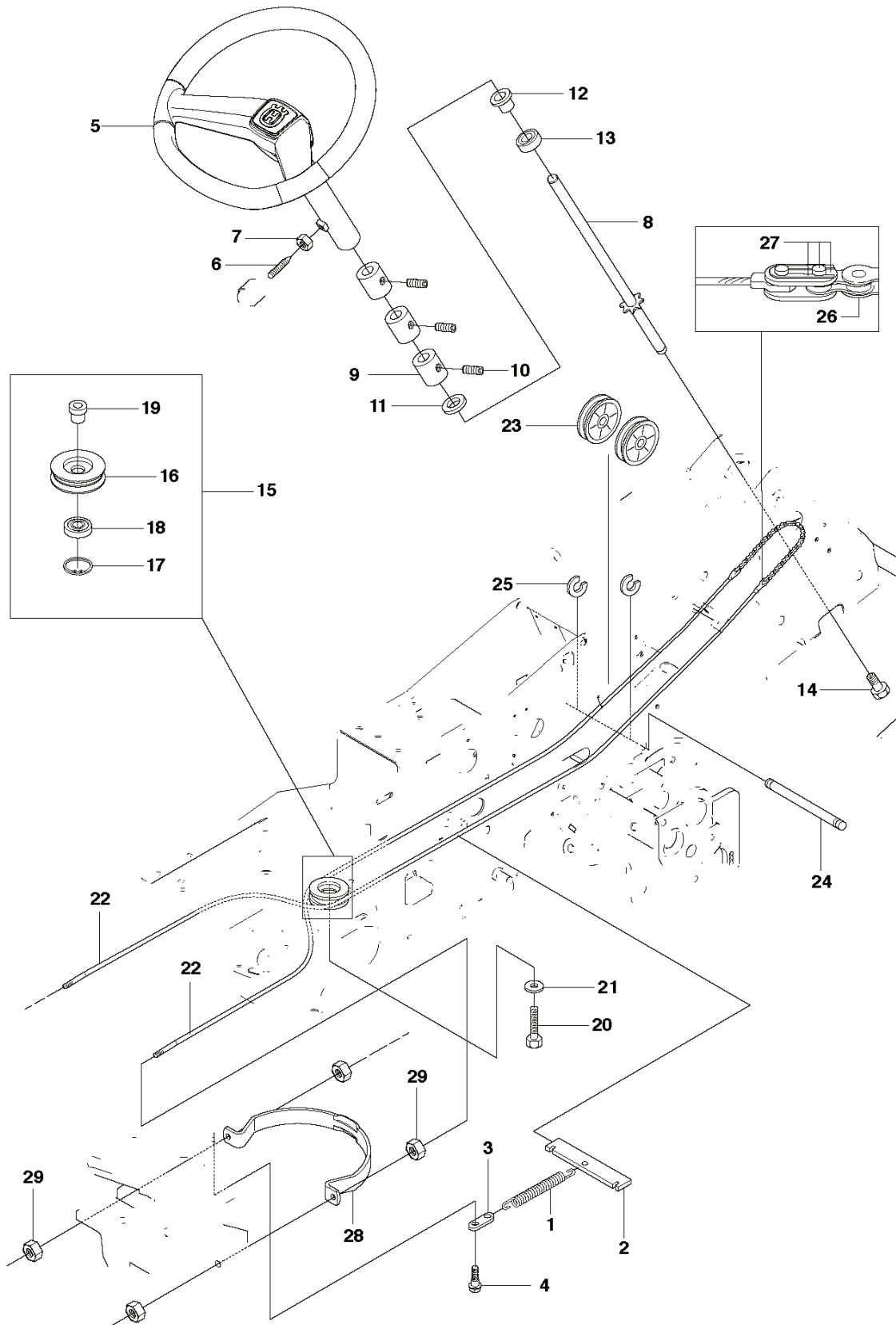
| REF. | PART NO. | DESCRIPTION | REMARK | QTY. | KIT |
|------|-----------|---------------------|--------|------|-----|
| 16 | 738210204 | BALL BEARING | | 1 | 1 |
| 17 | 535480201 | ROLLER | | 1 | 1 |
| 18 | 535480601 | PROTECTIVE PLATE | | 1 | 1 |
| 19 | 535480701 | SPRING | | 1 | 1 |
| 20 | 535480801 | BEARING SUPPORT | | 4 | 1 |
| 21 | 535480901 | BEARING SUPPORT | | 1 | 1 |
| 22 | 535481001 | REINFORCEMENT PLATE | | 1 | 1 |
| 23 | 535478801 | PEDAL | | 1 | 1 |
| 24 | 535478802 | PEDAL | | 1 | 1 |

R16C AWD
SEAT



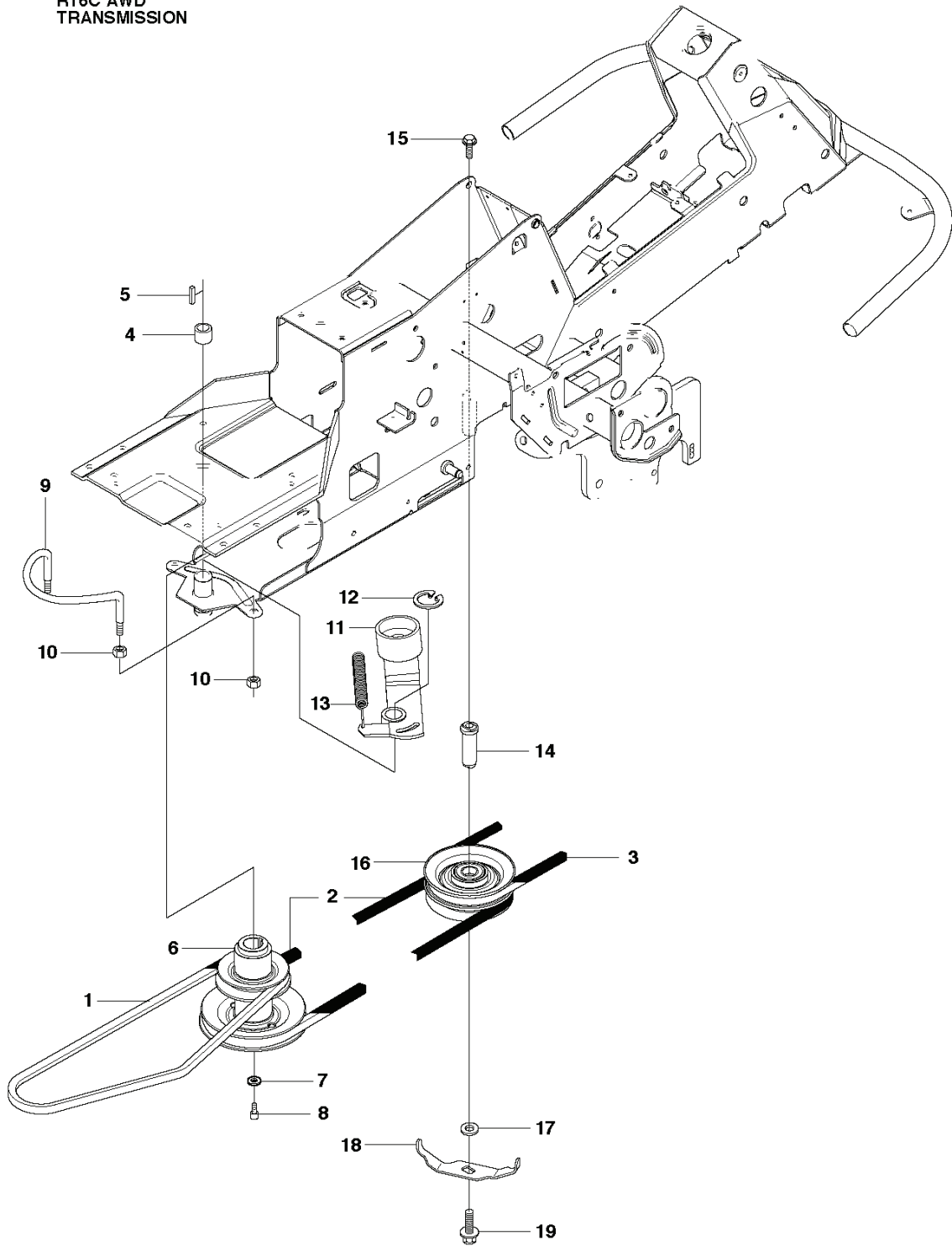
| REF. | PART NO. | DESCRIPTION | REMARK | QTY. | KIT |
|------|-----------|--------------------|--------|------|-----|
| 1 | 573995003 | SEAT BRACKET | | 1 | |
| 2 | 506915301 | COMPRESSION SPRING | | 1 | |
| 3 | 734117441 | WASHER | | 1 | |
| 4 | 725249371 | SCREW EHHM | | 1 | |
| 5 | 544433301 | SEAT | | 1 | |
| 6 | 506565501 | JUSTERVRED | | 2 | |
| 7 | 506565301 | BUSHING | | 2 | |
| 8 | 734116441 | WASHER | | 2 | |
| 9 | 506556301 | SCREW UNC | | 2 | |
| 11 | 506597401 | SCREW EHHFM | | 1 | |

R16C AWD
STEERING



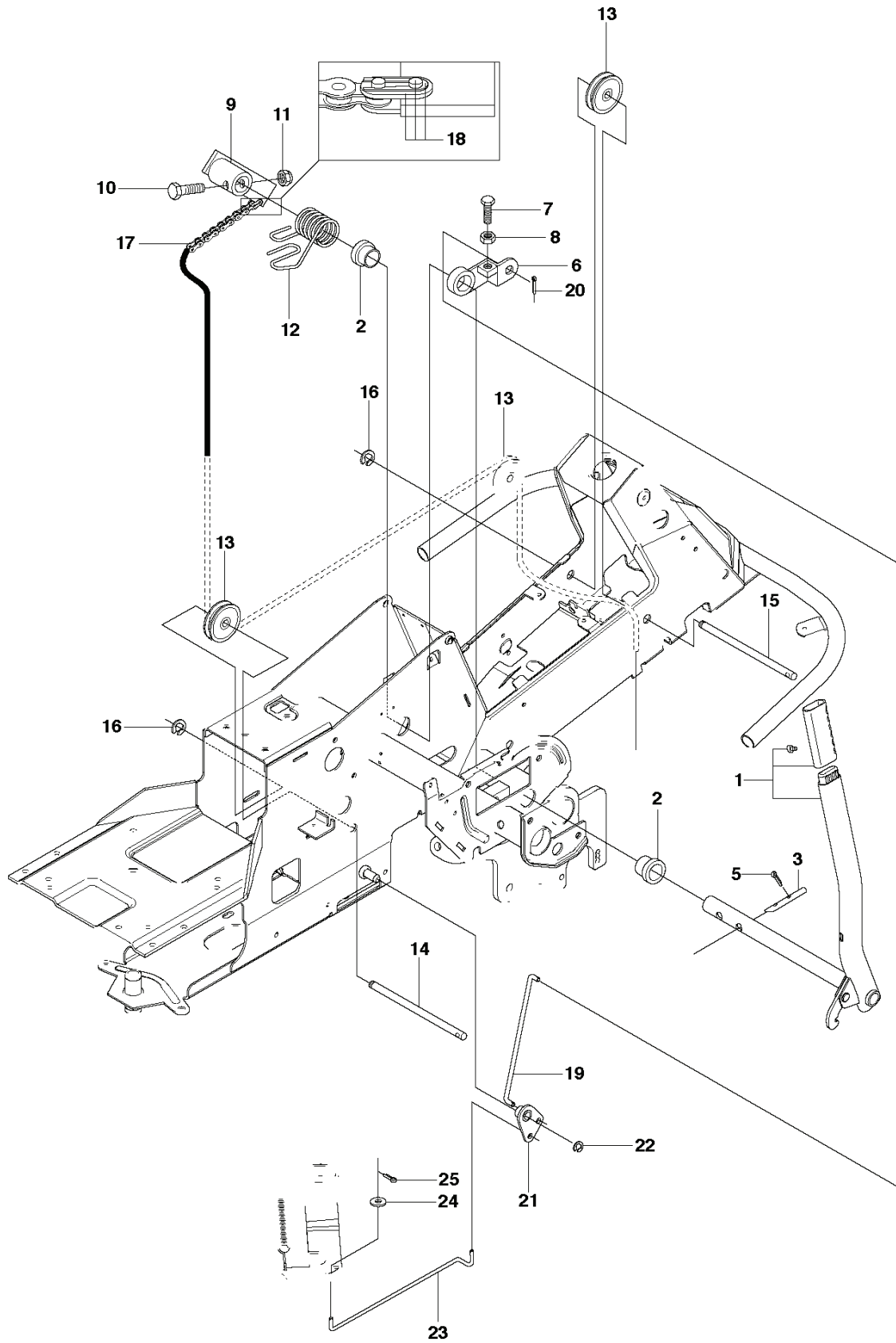
| REF. | PART NO. | DESCRIPTION | REMARK | QTY. | KIT |
|------|-----------|-----------------|--------|------|-----|
| 1 | 506671901 | SPRING | | 1 | |
| 2 | 506576301 | SPRING RETAINER | | 1 | |
| 3 | 506670801 | LINK | | 1 | |
| 4 | 506597401 | SCREW EHHFM | | 1 | |
| 5 | 544375202 | STEERING WHEEL | | 1 | |
| 6 | 728745505 | SCREW IHSETM | | 1 | |
| 7 | 731231801 | HEXAGON NUT | | 1 | |
| 8 | 575631901 | STEERING ROD | | 1 | |
| 9 | 506863401 | DRIVER | | 3 | |
| 10 | 728844305 | SCREW IHSETM | | 3 | |
| 11 | 506863601 | WASHER | | 1 | |
| 12 | 506887801 | SPACER | | 1 | |
| 13 | 738210404 | BALL BEARING | | 1 | |
| 14 | 506570104 | SCREW EHHFM | | 1 | |
| 15 | 506500903 | BARRING WHEEL | | 1 | |
| 16 | 535424101 | BARRING WHEEL | | 1 | 15 |
| 17 | 735314010 | CIRCLIP | | 1 | 15 |
| 18 | 738220419 | BALL BEARING | | 1 | 15 |
| 19 | 506500802 | BUSHING | | 1 | 15 |
| 20 | 506675402 | SCREW EHHFM | | 1 | |
| 21 | 734117441 | WASHER | | 1 | |
| 22 | 506589104 | WIRE ASSY | | 2 | |
| 23 | 506522401 | STARTER PULLEY | | 2 | |
| 24 | 506539403 | SHAFT | | 1 | |
| 25 | 735311420 | E-CLIP | | 2 | |
| 26 | 506554601 | CHAIN | | 1 | |
| 27 | 506554701 | LINKAGE | | 2 | |
| 28 | 544427301 | WIRE GUIDE | | 1 | |
| 29 | 731232051 | HEXAGON NUT | | 4 | |

R16C AWD
TRANSMISSION



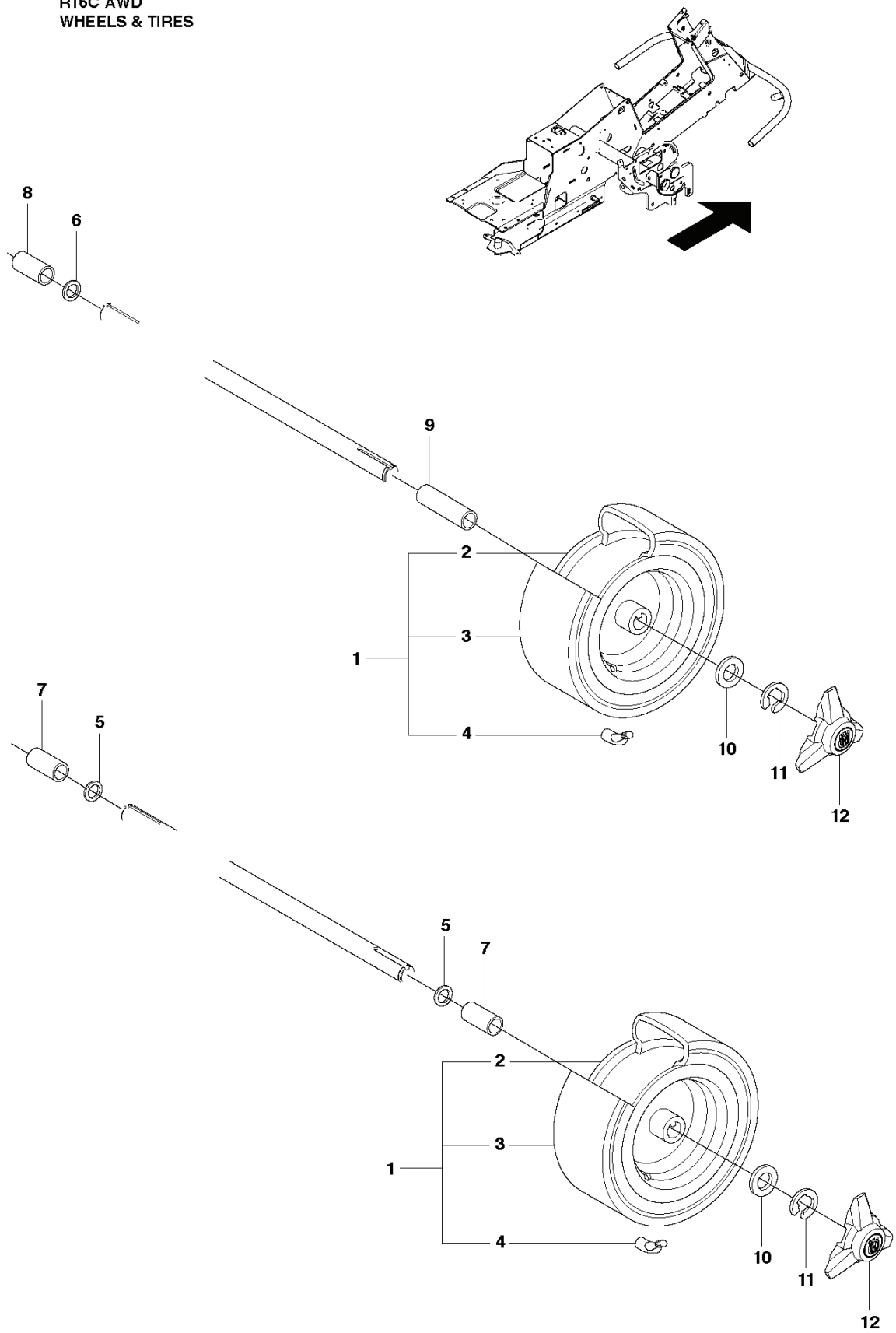
| REF. | PART NO. | DESCRIPTION | REMARK | QTY. | KIT |
|------|-----------|---------------------|--------|------|-----|
| 1 | 589531201 | BELT | | 1 | |
| 2 | 589530401 | BELT | | 1 | |
| 3 | 589530001 | BELT | | 1 | |
| 4 | 506509201 | SPACING SLEEVE | | 1 | |
| 5 | 506555901 | WEDGE | | 1 | |
| 6 | 535482401 | PULLEY | | 1 | |
| 7 | 506597501 | WASHER | | 1 | |
| 8 | 506556002 | SCREW UNC | | 1 | |
| 9 | 506664501 | BELT GUIDE | | 1 | |
| 10 | 731232051 | HEXAGON NUT | | 4 | |
| 11 | 535484401 | BELT TENSIONER ASSY | | 1 | |
| 12 | 735312600 | CIRCLIP | | 1 | |
| 13 | 506665601 | SPRING | | 1 | |
| 14 | 544426101 | SHAFT | | 1 | |
| 15 | 506675402 | SCREW EHHFM | | 1 | |
| 16 | 535482201 | PULLEY | | 1 | |
| 17 | 506775701 | WASHER | | 1 | |
| 18 | 544405301 | BELT GUIDE | | 1 | |
| 19 | 506570105 | SCREW EHHFM | | 1 | |

R16C AWD
MOWER LIFT



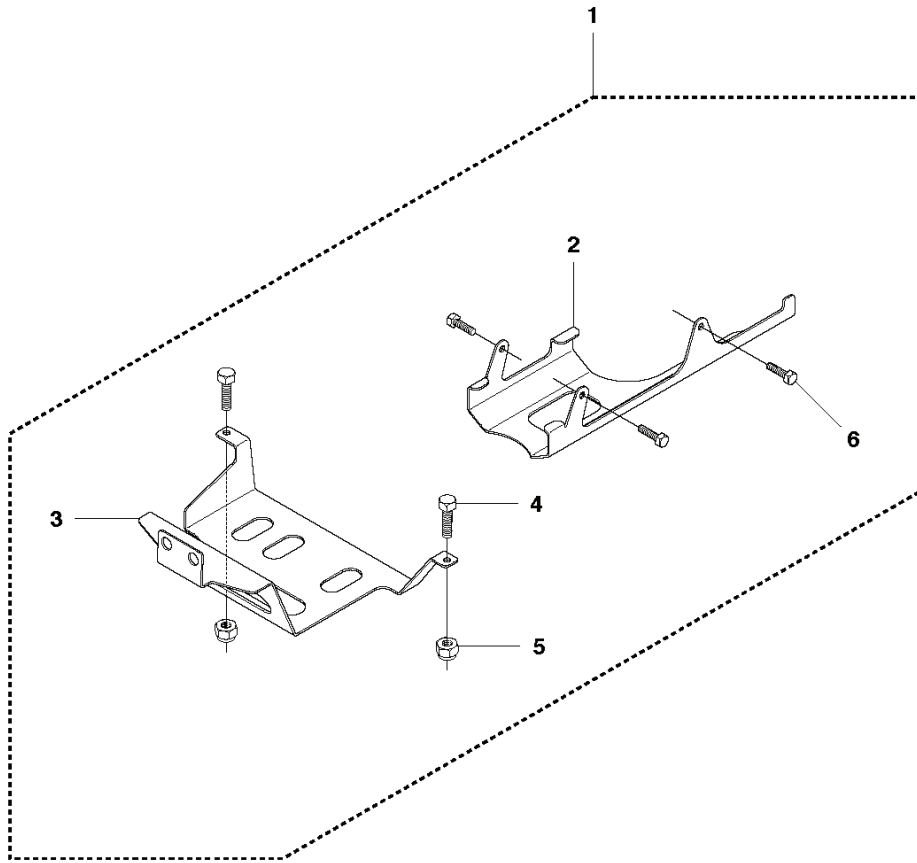
| REF. | PART NO. | DESCRIPTION | REMARK | QTY. | KIT |
|------|-----------|---------------------|--------|------|-----|
| 1 | 501018601 | LIFTING LEVER ASSY | | 1 | |
| 2 | 506556501 | BEARING | | 2 | |
| 3 | 525406601 | PEN | | 1 | |
| 5 | 721618301 | SPLIT PIN | | 1 | |
| 6 | 506784301 | LINK ASSY | | 1 | |
| 7 | 725249751 | SCREW | | 1 | |
| 8 | 731232051 | HEXAGON NUT | | 1 | |
| 9 | 544433601 | LIFTING ARM | | 1 | |
| 10 | 725254251 | SCREW EHHM | | 1 | |
| 11 | 732252201 | HEXAGON LOCKING NUT | | 1 | |
| 12 | 506916801 | SPRING | | 1 | |
| 13 | 506905601 | OFFSET PULLEY | | 2 | |
| 14 | 506905701 | SHAFT | | 1 | |
| 15 | 506905702 | SHAFT | | 1 | |
| 16 | 735311820 | E-CLIP | | 2 | |
| 17 | 506554609 | CHAIN | | 1 | |
| 18 | 506554701 | LINKAGE | | 1 | |
| 19 | 544456901 | CONNECTION ROD | | 1 | |
| 20 | 721618301 | SPLIT PIN | | 1 | |
| 21 | 544378601 | LINK | | 1 | |
| 22 | 735311420 | E-CLIP | | 1 | |
| 23 | 544448801 | CONNECTION ROD | | 1 | |
| 24 | 734116441 | WASHER | | 1 | |
| 25 | 721618301 | SPLIT PIN | | 1 | |

R16C AWD
WHEELS & TIRES



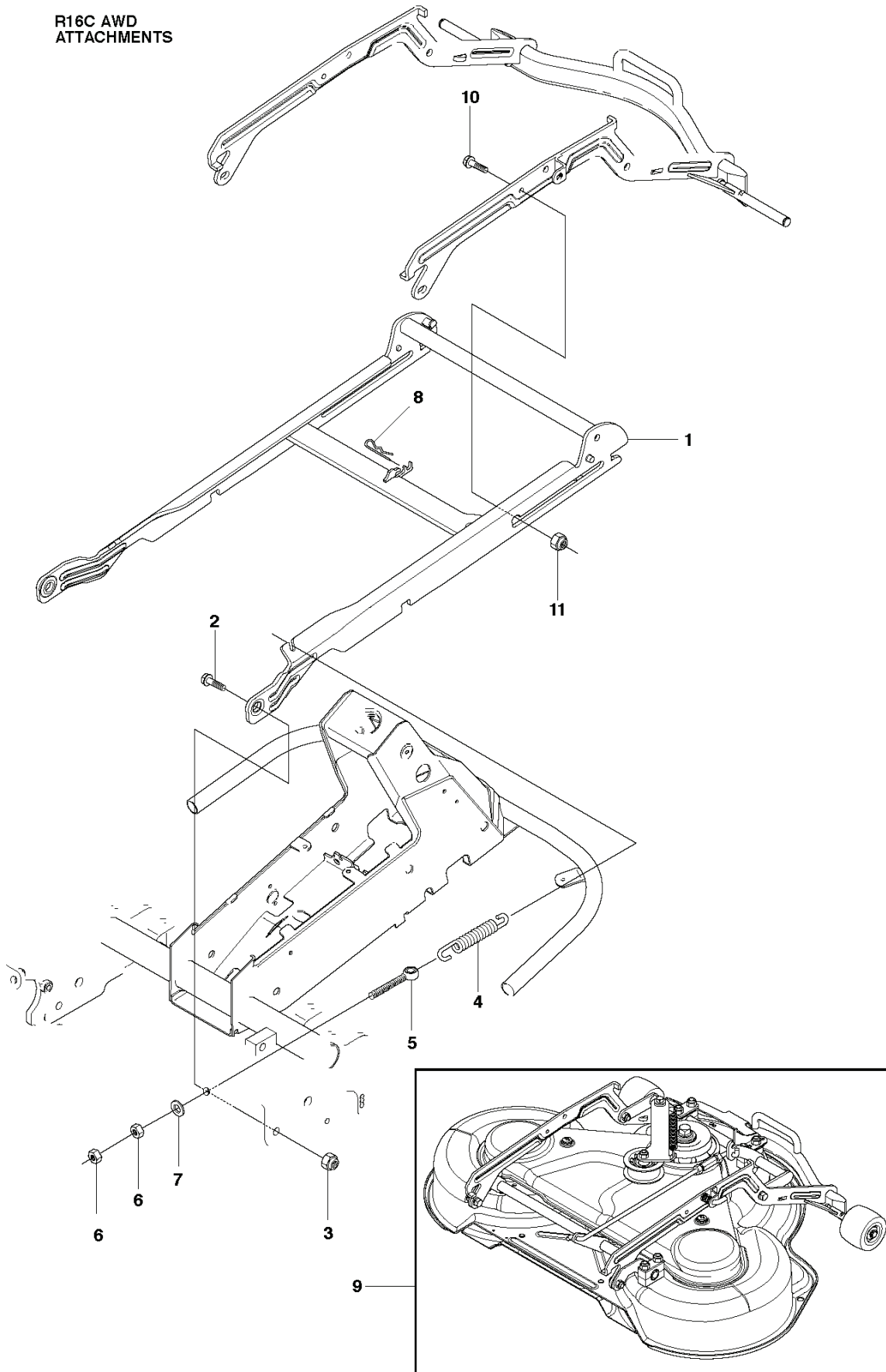
| REF. | PART NO. | DESCRIPTION | REMARK | QTY. | KIT |
|------|-----------|----------------|--------|------|-----|
| 1 | 523012602 | WHEEL | | 4 | |
| 2 | 523034801 | RIM | | 1 | 1 |
| 3 | 523034602 | TIRE | | 1 | 1 |
| 4 | 523034701 | VALVE | | 1 | 1 |
| 5 | 506504803 | WASHER | | 2 | |
| 6 | 506945801 | WASHER | | 1 | |
| 7 | 506596203 | SPACING SLEEVE | | 2 | |
| 8 | 544132601 | SLEEVE | | 1 | |
| 9 | 544132602 | SLEEVE | | 1 | |
| 10 | 506504805 | WASHER | | 4 | |
| 11 | 506899001 | E-CLIP | | 4 | |
| 12 | 544353501 | HUB CAP | | 4 | |

R16C AWD
ACCESSORIES



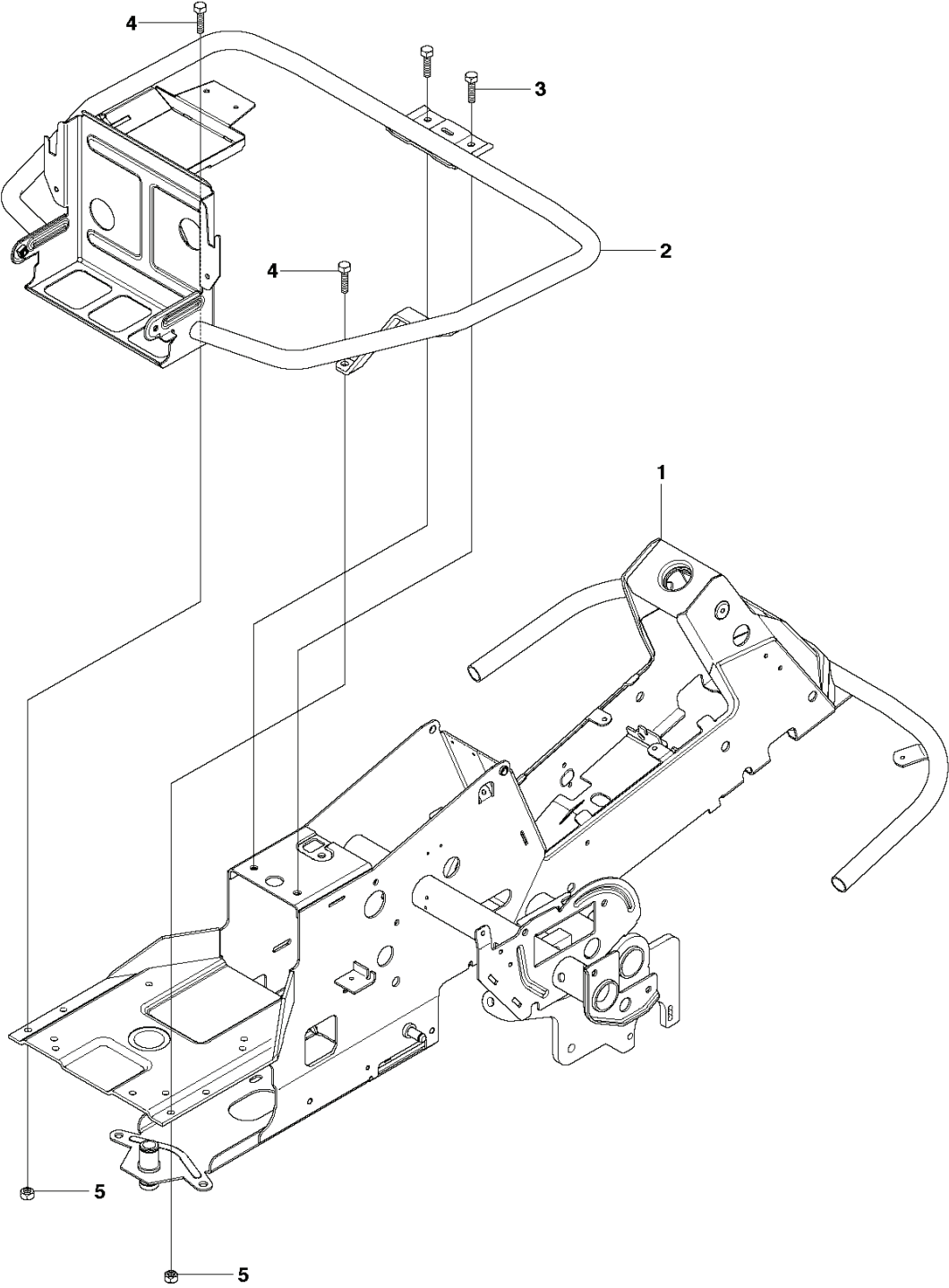
| REF. | PART NO. | DESCRIPTION | REMARK | QTY. | KIT |
|------|-----------|-------------|--------|------|-----|
| 1 | 544069304 | KIT | | 1 | |
| 2 | 504046201 | SKID PLATE | | 1 | 1 |
| 3 | 544143301 | SKID PLATE | | 1 | 1 |
| 4 | 725246371 | SCREW EHHM | | 2 | 1 |
| 5 | 732211801 | LOCK NUT | | 2 | 1 |
| 6 | 725244961 | SCREW EHHFT | | 3 | 1 |

R16C AWD
ATTACHMENTS



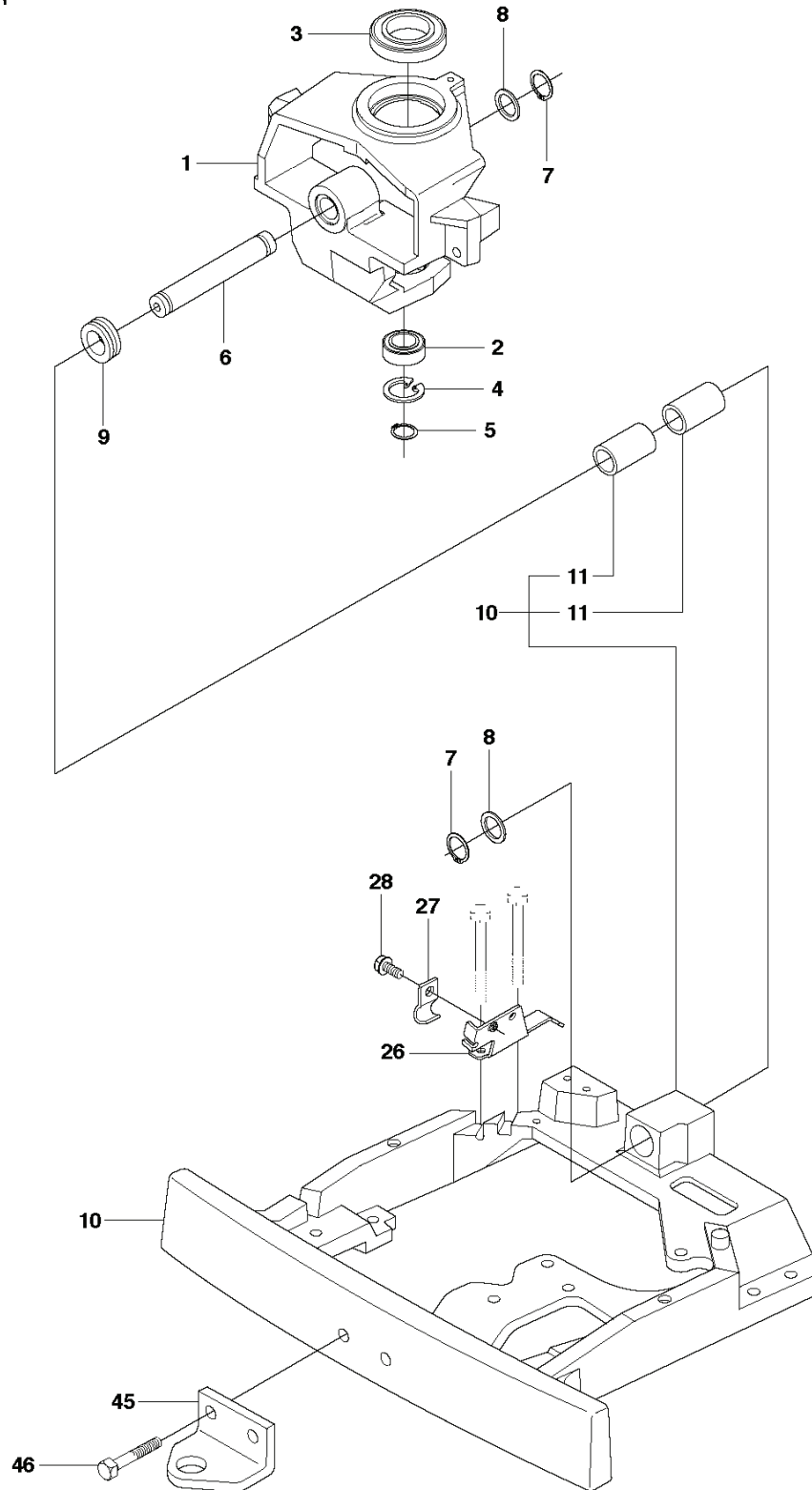
| REF. | PART NO. | DESCRIPTION | REMARK | QTY. | KIT |
|------|-----------|---------------------|--------|------|-----|
| 1 | 544401101 | EQUIPMENT FRAME | | 1 | |
| 2 | 506895801 | COLLAR SCREW | | 2 | |
| 3 | 732252201 | HEXAGON LOCKING NUT | | 2 | |
| 4 | 506837601 | SPRING | | 2 | |
| 5 | 506837701 | RING BOLT | | 2 | |
| 6 | 731232051 | HEXAGON NUT | | 4 | |
| 7 | 734117201 | WASHER | | 2 | |
| 8 | 721680251 | SPRING COTTER | | 1 | |
| 9 | 544437903 | CUTTING DECK | | 1 | |
| 10 | 544362401 | SCREW | | 2 | |
| 11 | 732211801 | LOCK NUT | | 2 | |

R16C AWD
CHASSIS



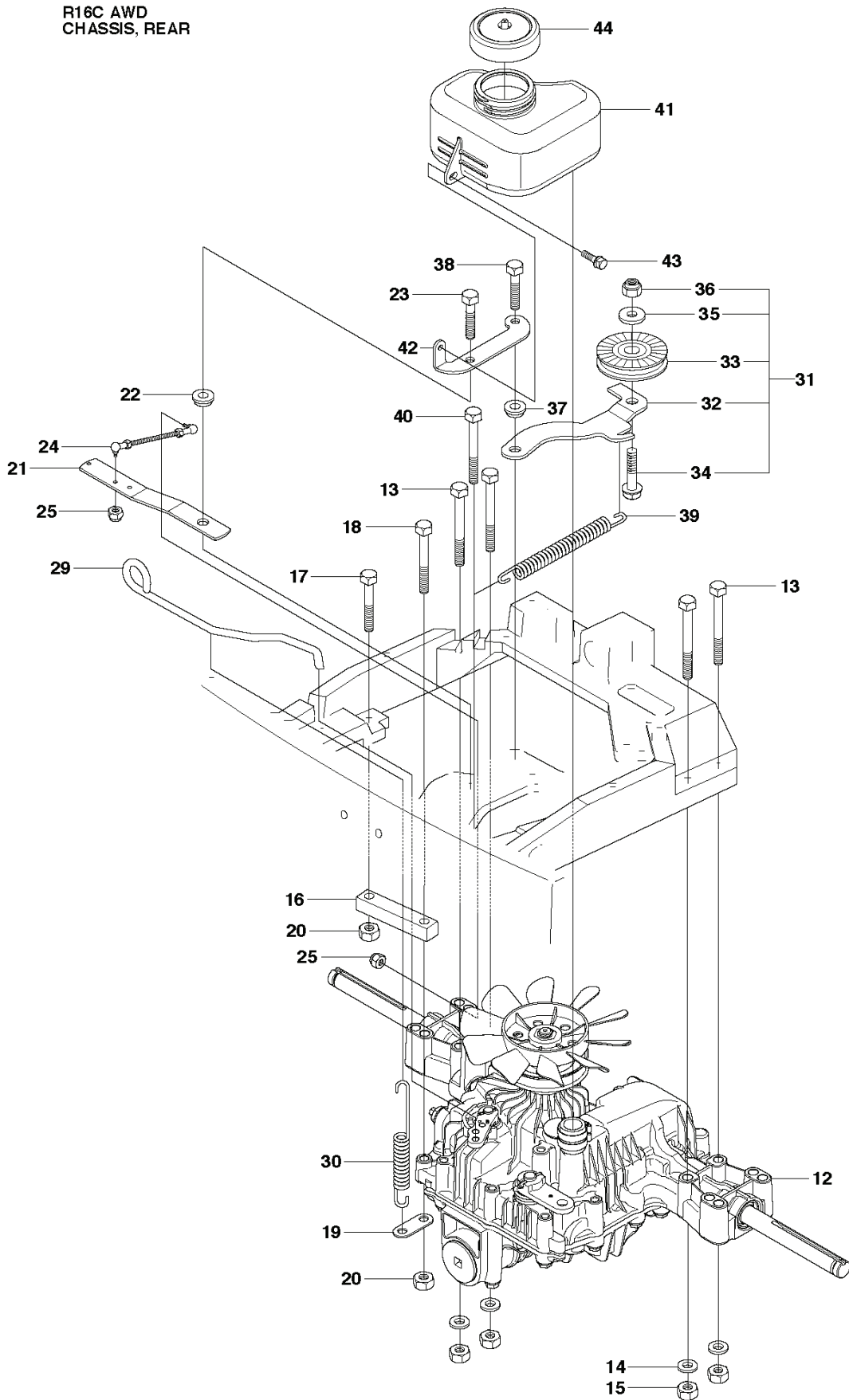
| REF. | PART NO. | DESCRIPTION | REMARK | QTY. | KIT |
|------|-----------|--------------|--------|------|-----|
| 1 | 544842401 | FRAME | | 1 | |
| 2 | 544244502 | ENGINE FRAME | | 1 | |
| 3 | 506570103 | SCREW EHHFM | | 2 | |
| 4 | 725245171 | SCREW EHHM | | 2 | |
| 5 | 732211801 | LOCK NUT | | 2 | |

R16C AWD
CHASSIS, REAR



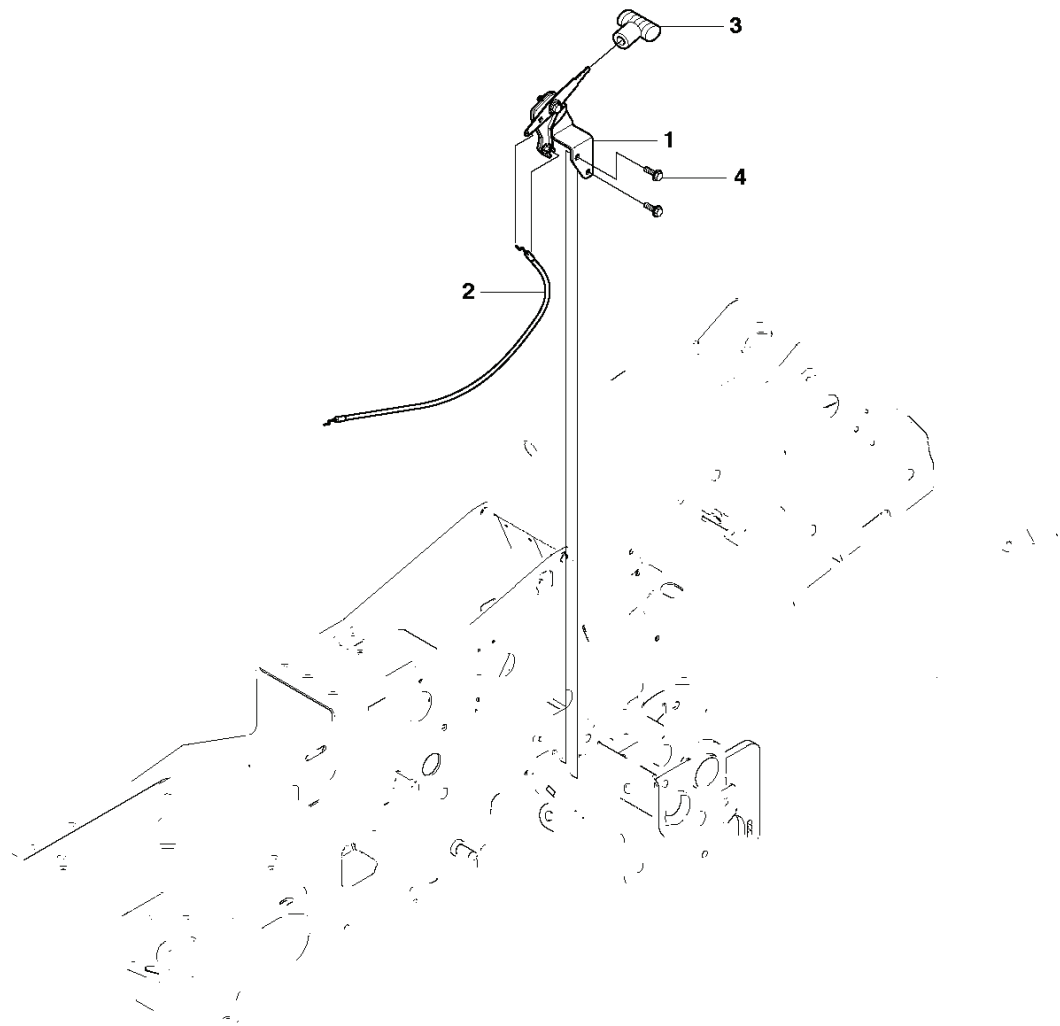
| REF. | PART NO. | DESCRIPTION | REMARK | QTY. | KIT |
|------|-----------|--------------|--------|------|-----|
| 1 | 506985803 | SPINDLE | | 1 | |
| 2 | 738210504 | BALL BEARING | | 1 | |
| 3 | 738211004 | BALL BEARING | | 1 | |
| 4 | 735314010 | CIRCLIP | | 1 | |
| 5 | 735312600 | CIRCLIP | | 1 | |
| 6 | 506985901 | SWING AXLE | | 1 | |
| 7 | 735312600 | CIRCLIP | | 2 | |
| 8 | 506773401 | WASHER | | 2 | |
| 9 | 740681421 | V-RING | | 1 | |
| 10 | 535406001 | BRACKET | | 1 | |
| 11 | 506986102 | GLIDLAGER | | 2 | 10 |
| 26 | 544262101 | BRACKET | | 1 | |
| 27 | 506566501 | CLIP | | 1 | |
| 28 | 725236461 | SCREW EHHFT | | 1 | |
| 45 | 506889901 | HITCH | | 1 | |
| 46 | 725249371 | SCREW EHHM | | 2 | |

R16C AWD
CHASSIS, REAR



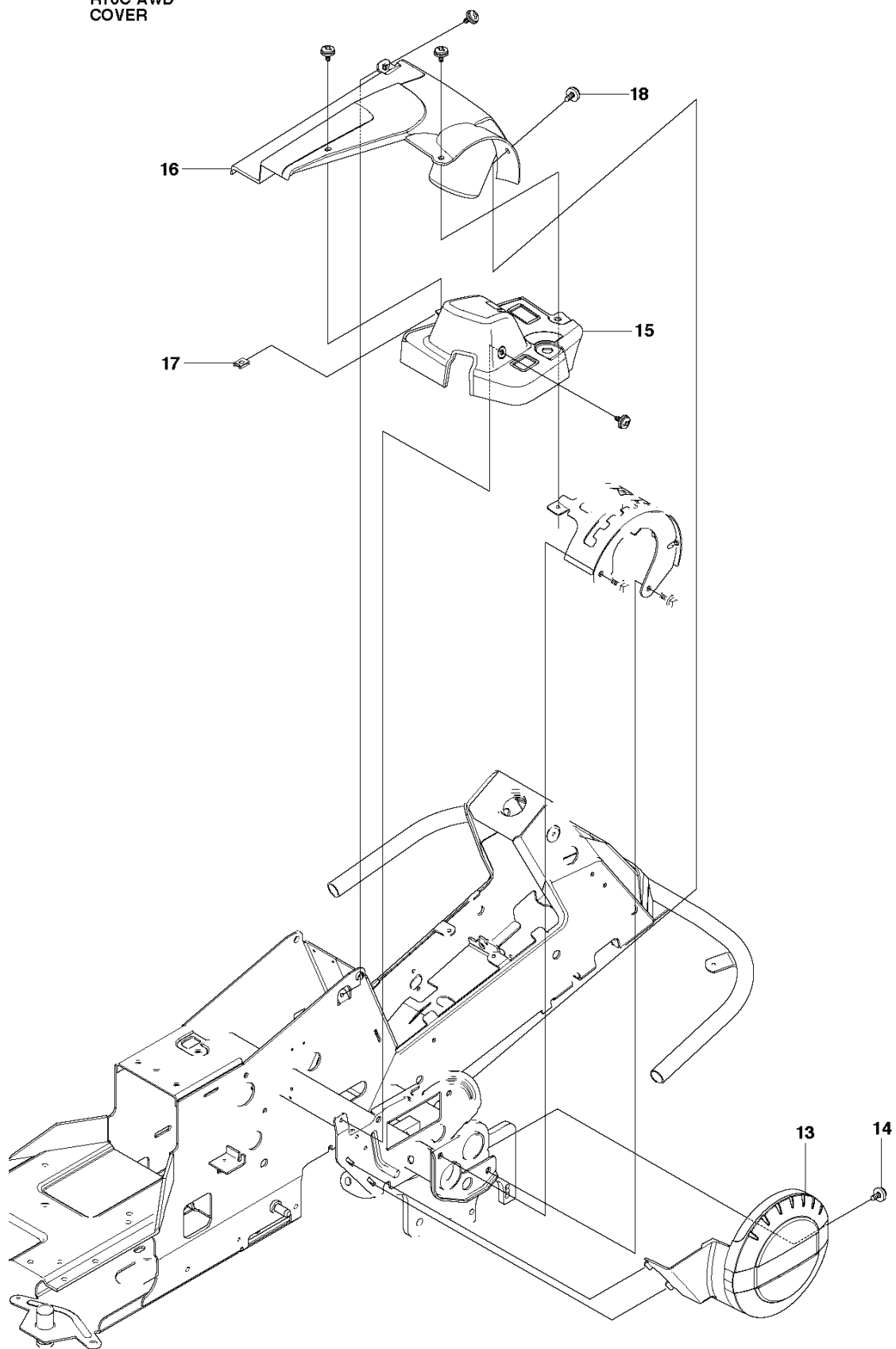
| REF. | PART NO. | DESCRIPTION | REMARK | QTY. | KIT |
|------|-----------|---------------------|--------|------|-----|
| 12 | 544116101 | TRANSMISSION | | 1 | |
| 13 | 725246751 | SCREW EHHM | | 4 | |
| 14 | 734116401 | WASHER | | 4 | |
| 15 | 731231801 | HEXAGON NUT | | 4 | |
| 16 | 506987201 | MOMENTFÄSTE | | 1 | |
| 17 | 725245951 | SCREW EHHM | | 1 | |
| 18 | 725246251 | SCREW EHHM | | 1 | |
| 19 | 506599301 | LINK | | 1 | |
| 20 | 731231801 | HEXAGON NUT | | 2 | |
| 21 | 506987403 | LEVER | | 1 | |
| 22 | 506918702 | WASHER | | 1 | |
| 23 | 725245151 | SCREW | | 1 | |
| 24 | 506987501 | ADJUSTMENT ROD | | 1 | |
| 25 | 732211401 | LOCK NUT | | 2 | |
| 29 | 506988201 | FRIKOPPLINGSSTÅNG | | 1 | |
| 30 | 506834301 | SPRING | | 1 | |
| 31 | 506988401 | BELT TENSIONER ASSY | | 1 | |
| 32 | 506988501 | BELT TENSIONER | | 1 | 31 |
| 33 | 506946901 | PULLEY | | 1 | 31 |
| 34 | 725245551 | SCREW | | 1 | 31 |
| 35 | 734116441 | WASHER | | 1 | 31 |
| 36 | 732211801 | LOCK NUT | | 1 | 31 |
| 37 | 506918702 | WASHER | | 1 | |
| 38 | 725245151 | SCREW | | 1 | |
| 39 | 506988601 | SPRING | | 1 | |
| 40 | 725246451 | SCREW EHHM | | 1 | |
| 41 | 544100101 | EXPANSION TANK | | 1 | |
| 42 | 544121701 | BRACKET | | 1 | |
| 43 | 725236461 | SCREW EHHFT | | 1 | |
| 44 | 506673301 | TANK CAP ASSY | | 1 | |

R16C AWD
CONTROLS



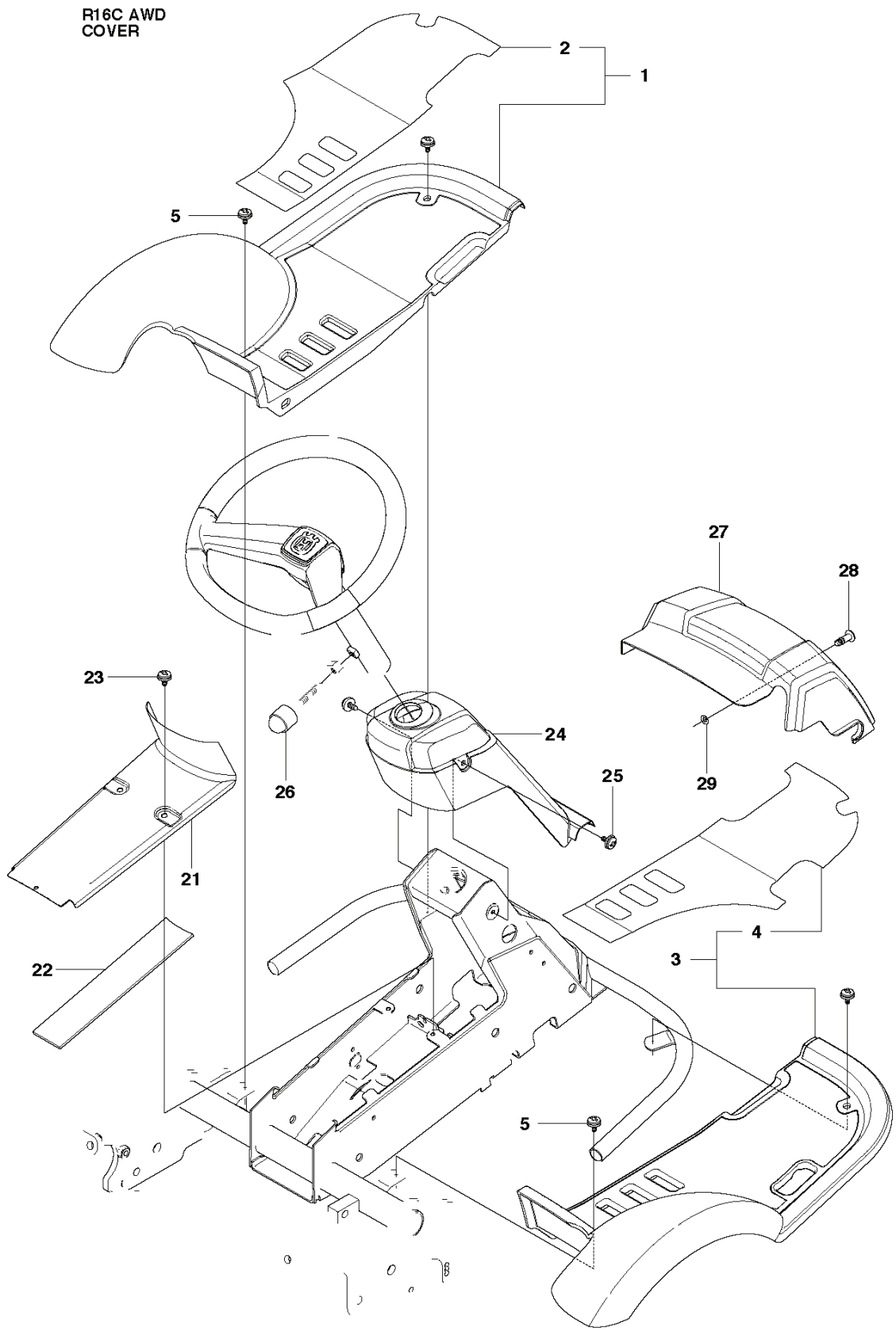
| REF. | PART NO. | DESCRIPTION | REMARK | QTY. | KIT |
|------|-----------|-----------------------|--------|------|-----|
| 1 | 544301501 | THROTTLE CONTROL ASSY | | 1 | |
| 2 | 544301701 | WIRE | | 1 | |
| 3 | 506889101 | KNOB | | 1 | |
| 4 | 725236461 | SCREW EHHFT | | 2 | |

R16C AWD
COVER



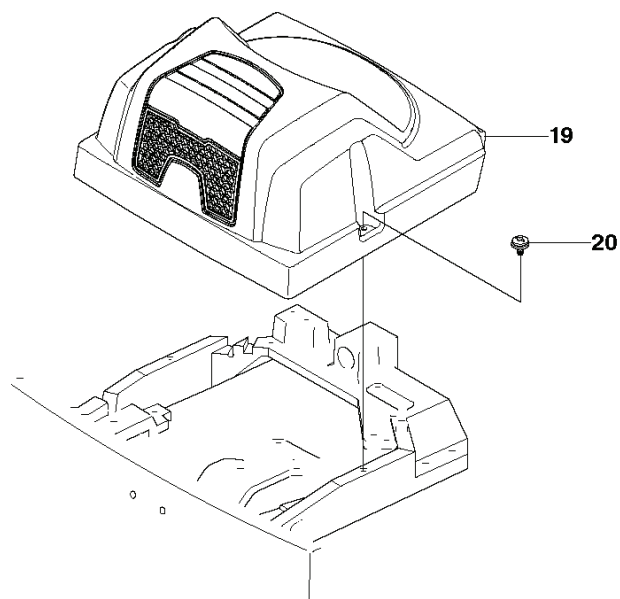
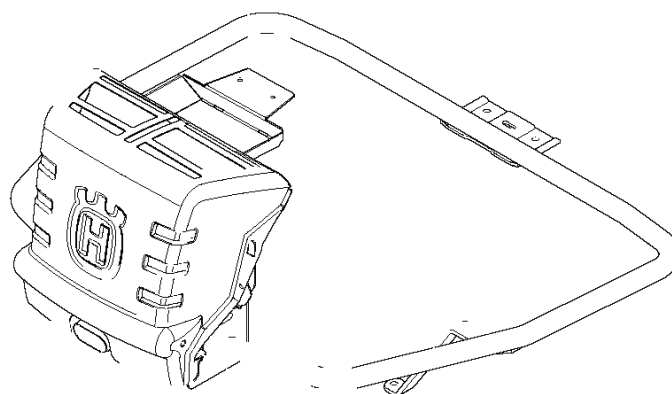
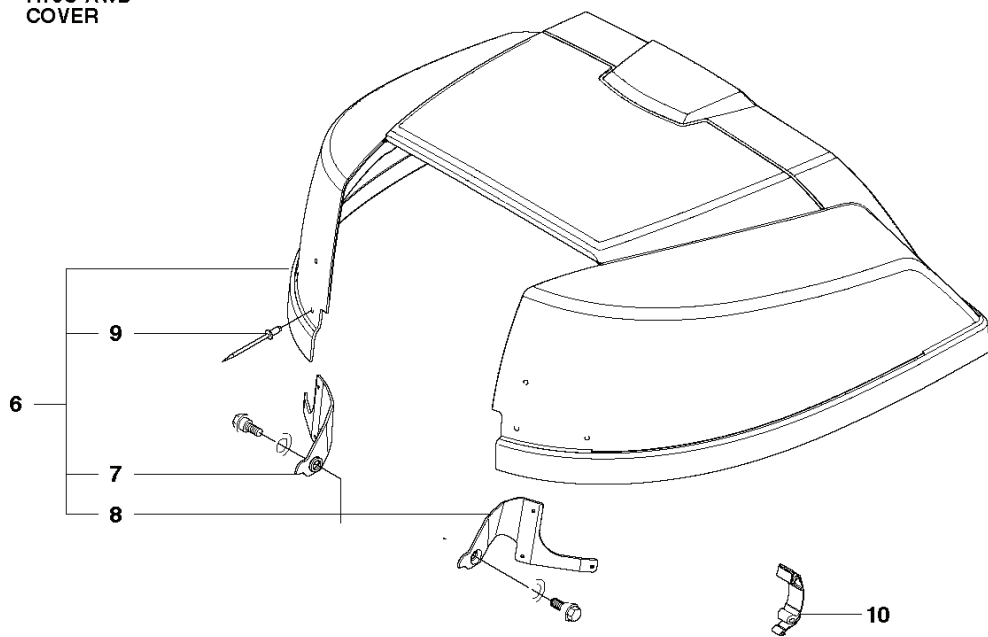
| REF. | PART NO. | DESCRIPTION | REMARK | QTY. | KIT |
|------|-----------|---------------|--------|------|-----|
| 13 | 535502501 | CONTROL COVER | | 1 | |
| 14 | 544400501 | SCREW | | 1 | |
| 15 | 544332103 | CONTROL COVER | | 1 | |
| 16 | 544332202 | COVER | | 1 | |
| 17 | 535429101 | SPRING NUT | | 1 | |
| 18 | 544400501 | SCREW | | 4 | |

R16C AWD
COVER



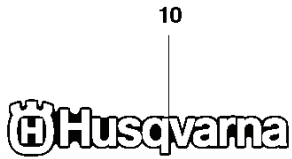
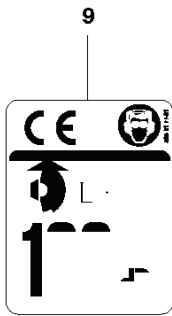
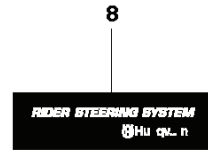
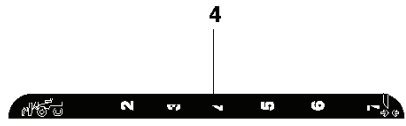
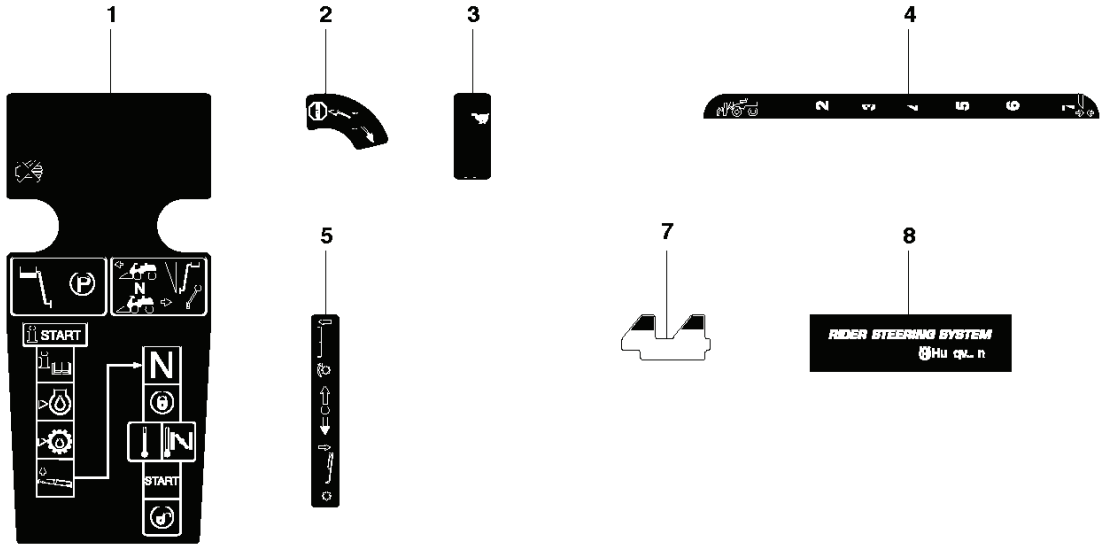
| REF. | PART NO. | DESCRIPTION | REMARK | QTY. | KIT |
|------|-----------|------------------|--------|------|-----|
| 1 | 544895901 | FOOT PLATE | | 1 | |
| 2 | 544248401 | MAT | | 1 | 1 |
| 3 | 544895903 | FOOT PLATE | | 1 | |
| 4 | 544248403 | MAT | | 1 | 3 |
| 5 | 544400501 | SCREW | | 4 | |
| 21 | 544239201 | COVER | | 1 | |
| 22 | 544427501 | MAT | | 1 | |
| 23 | 544400501 | SCREW | | 2 | |
| 24 | 544326501 | COVER | | 1 | |
| 25 | 544400501 | SCREW | | 2 | |
| 26 | 544433201 | PROTECTIVE COVER | | 1 | |
| 27 | 544374201 | UNIT COVER | | 1 | |
| 28 | 525390601 | LOCK | | 1 | |
| 29 | 506963601 | WASHER | | 1 | |

R16C AWD
COVER



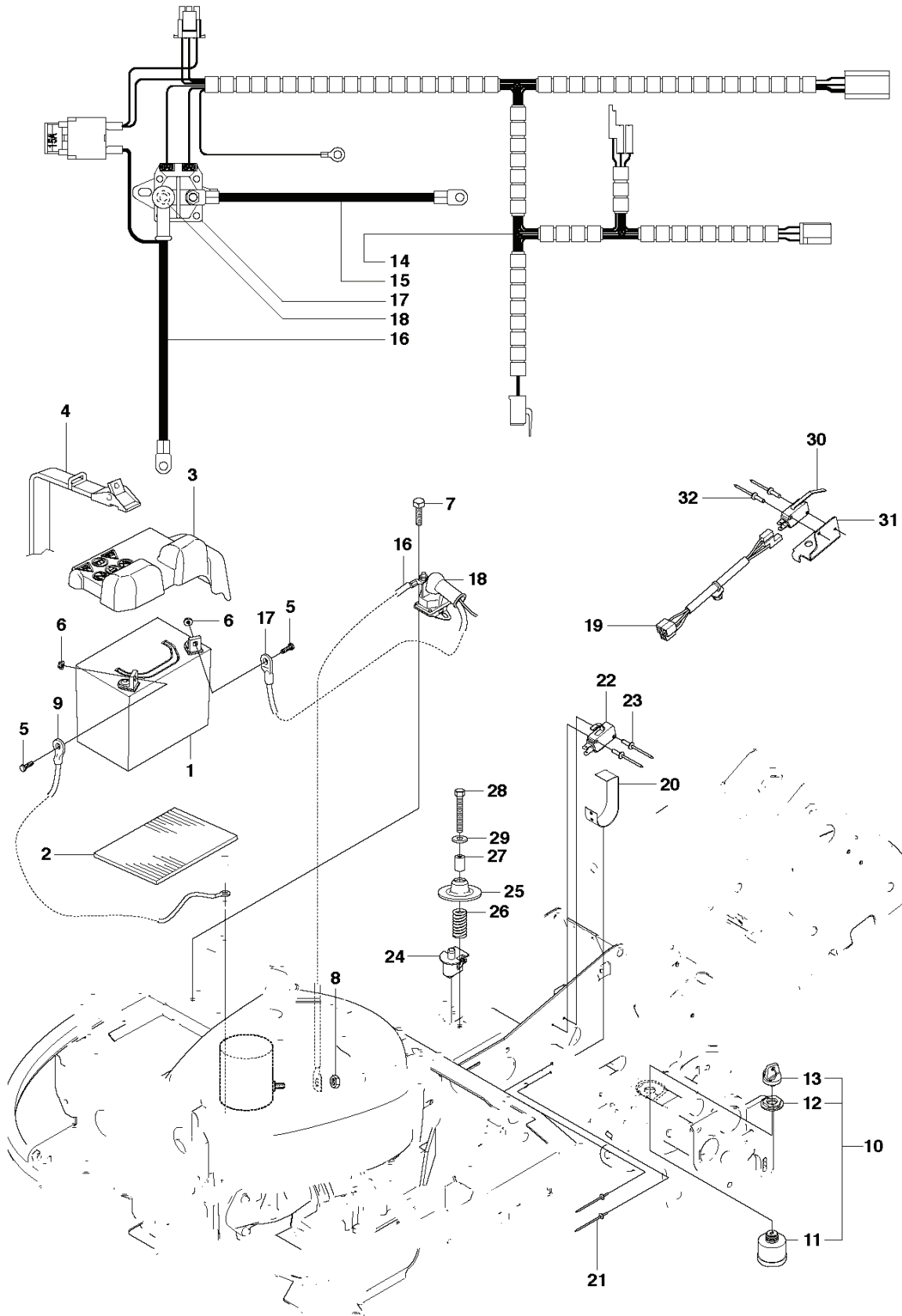
| REF. | PART NO. | DESCRIPTION | REMARK | QTY. | KIT |
|------|-----------|------------------|--------|------|-----|
| 6 | 544247602 | ENGINE HOOD ASSY | | 1 | |
| 7 | 544247701 | HINGE | | 1 | 6 |
| 8 | 544247702 | HINGE | | 1 | 6 |
| 9 | 722795402 | RIVET | | 6 | 6 |
| 10 | 503894703 | SNAP LOCKING | | 1 | |
| 19 | 574856101 | COVER | | 1 | |
| 20 | 544400501 | SCREW | | 2 | |

R16C AWD
DECALS



| REF. | PART NO. | DESCRIPTION | REMARK | QTY. | KIT |
|------|-----------|-------------|--------|------|-----|
| 1 | 544438601 | LABEL | | 1 | |
| 2 | 544438701 | LABEL | | 1 | |
| 3 | 544438801 | LABEL | | 1 | |
| 4 | 544439001 | LABEL | | 1 | |
| 5 | 544439201 | LABEL | | 1 | |
| 7 | 544833501 | LABEL | | 2 | |
| 8 | 544833601 | LABEL | | 1 | |
| 9 | 505217701 | LABEL | | 1 | |
| 10 | 544391102 | LABEL | | 1 | |
| 11 | 544211401 | LABEL | | 2 | |
| 12 | 504813301 | LABEL | | 1 | |
| 13 | 504813302 | LABEL | | 1 | |

R16C AWD
ELECTRICAL



| REF. | PART NO. | DESCRIPTION | REMARK | QTY. | KIT |
|------|-----------|-----------------|--------|------|-----|
| 1 | 510138501 | BATTERY | | 1 | |
| 2 | 535441101 | BATTERY MAT | | 1 | |
| 3 | 510026901 | COVER | | 1 | |
| 4 | 506836802 | BELT | | 1 | |
| 5 | 522622101 | SCREW EHHM | | 1 | |
| 6 | 522624301 | NUT | | 1 | |
| 7 | 725236461 | SCREW EHHFT | | 1 | |
| 8 | 506899801 | NUT | | 1 | |
| 9 | 544967603 | CABLE | | 1 | |
| 10 | 544442101 | IGNITION SWITCH | | 1 | |
| 11 | 544442201 | IGNITION SWITCH | | 1 | 10 |
| 12 | 544442301 | NUT | | 1 | 10 |
| 13 | 544442401 | IGNITION KEY | | 1 | 10 |
| 14 | 544926301 | WIRING | | 1 | |
| 15 | 544928601 | CABLE | | 1 | |
| 16 | 544926104 | CABLE | | 1 | |
| 17 | 544439801 | RELAY | | 1 | |
| 18 | 506899801 | NUT | | 2 | |
| 19 | 576185401 | WIRING | | 1 | |
| 20 | 506909301 | PLATE SPRING | | 1 | |
| 21 | 722783902 | BLIND RIVET | | 2 | |
| 22 | 535469101 | SWITCH | | 1 | |
| 23 | 544440701 | RIVET | | 2 | |
| 24 | 506909601 | SWITCH | | 1 | |
| 25 | 506909701 | SPRING WASHER | | 1 | |
| 26 | 544441201 | SPRING | | 1 | |
| 27 | 506909902 | SPACING TUBE | | 1 | |
| 28 | 725246051 | SCREW EHHM | | 1 | |
| 29 | 734116401 | WASHER | | 1 | |
| 30 | 544415501 | SWITCH | | 1 | |
| 31 | 544415701 | BRACKET | | 1 | |
| 32 | 544440701 | RIVET | | 2 | |