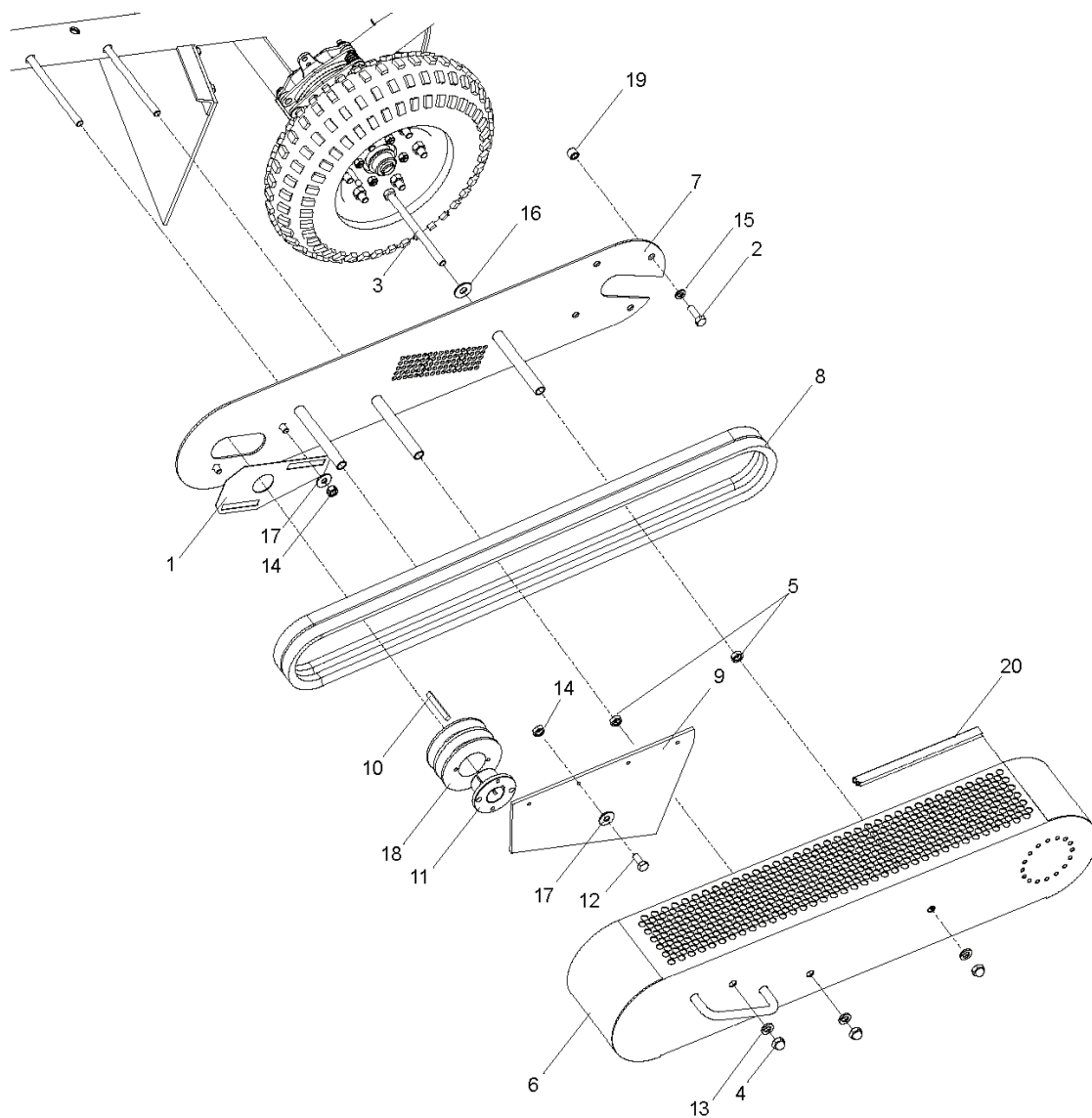


SG13HB CE, 966042701, 2009-02

---

# **SPARE PARTS LIST**

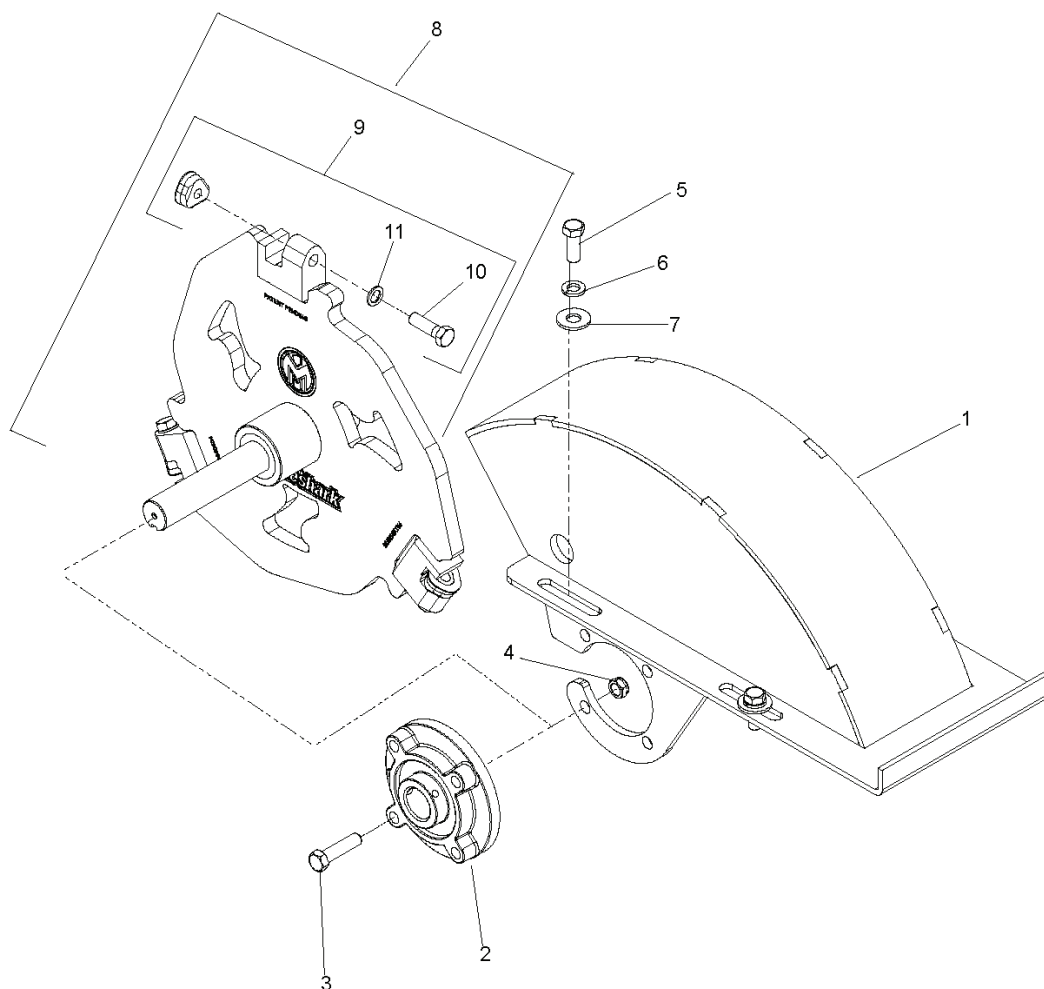
## BELT GUARD & PULLEY



---

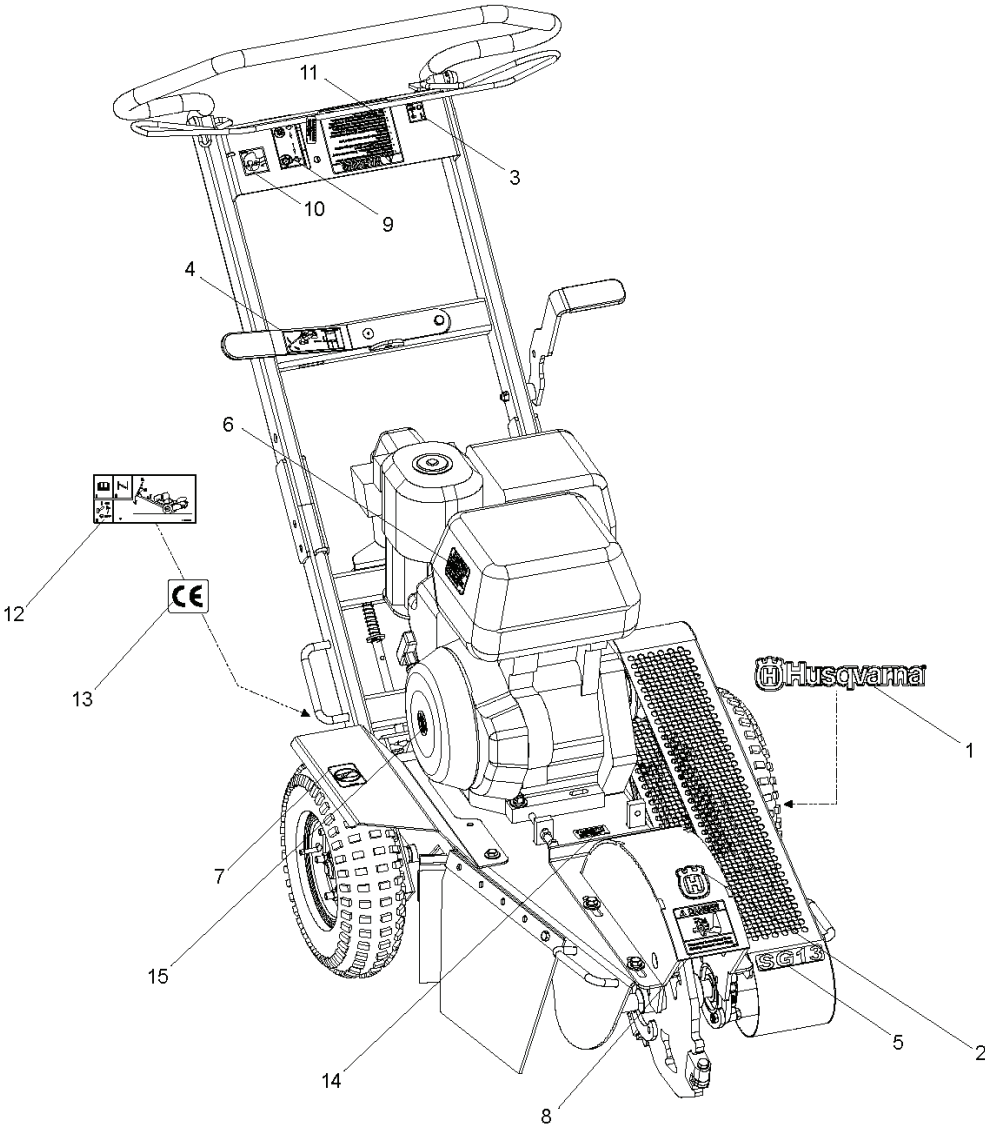
REF.	PART NO.	DESCRIPTION	REMARK	QTY.	KIT
1	539108213	PLATE		1	
2	539108398	BOLT		4	
3	539108505	HCS 3/8-16 X 5-1/2 GR 5 ZD		1	
4	539108746	NUT		3	
5	539109332	NUT		3	
6	539112298	COVER		1	
7	540200350	BACKPLATE		1	
8	539200751	BELT		1	
9	539020089	DEFLECTOR		1	
10	539910210	KEY		1	
11	539923381	HUB		1	
12	539976934	SCREW		4	
13	539990118	WASHER		3	
14	539990184	NUT		6	
15	539990187	WASHER		4	
16	539990517	WASHER		1	
17	539990692	WASHER		6	
18	539111142	PULLEY		1	
19	539102827	SPACER		1	
20	539112294	FLEX TRIM, BLACK - DROP SHIP		1	

## COVER & BLADE



REF.	PART NO.	DESCRIPTION	REMARK	QTY.	KIT
1	540020225	COVER		1	'5. 6. 7"
2	539020027	BEARING, CAST FLANGE, 1" BORE		2	
3	539990655	SCREW		8	
4	539200282	NUT		8	
5	539990563	SCREW		4	
6	539990118	WASHER		4	
7	539990517	WASHER		4	
8	525435201	KIT		1	
9	525435301	KIT	STANDARD	1	
9	525435302	KIT	SAND & CLAY	1	
9	525435303	KIT	ROCK	1	
10	525435401	HCS		1	
11	525435501	WASHER		1	
	539020226	BEARING KIT	NOT SHOWN	1	'2. 3. 4"

# DECALS

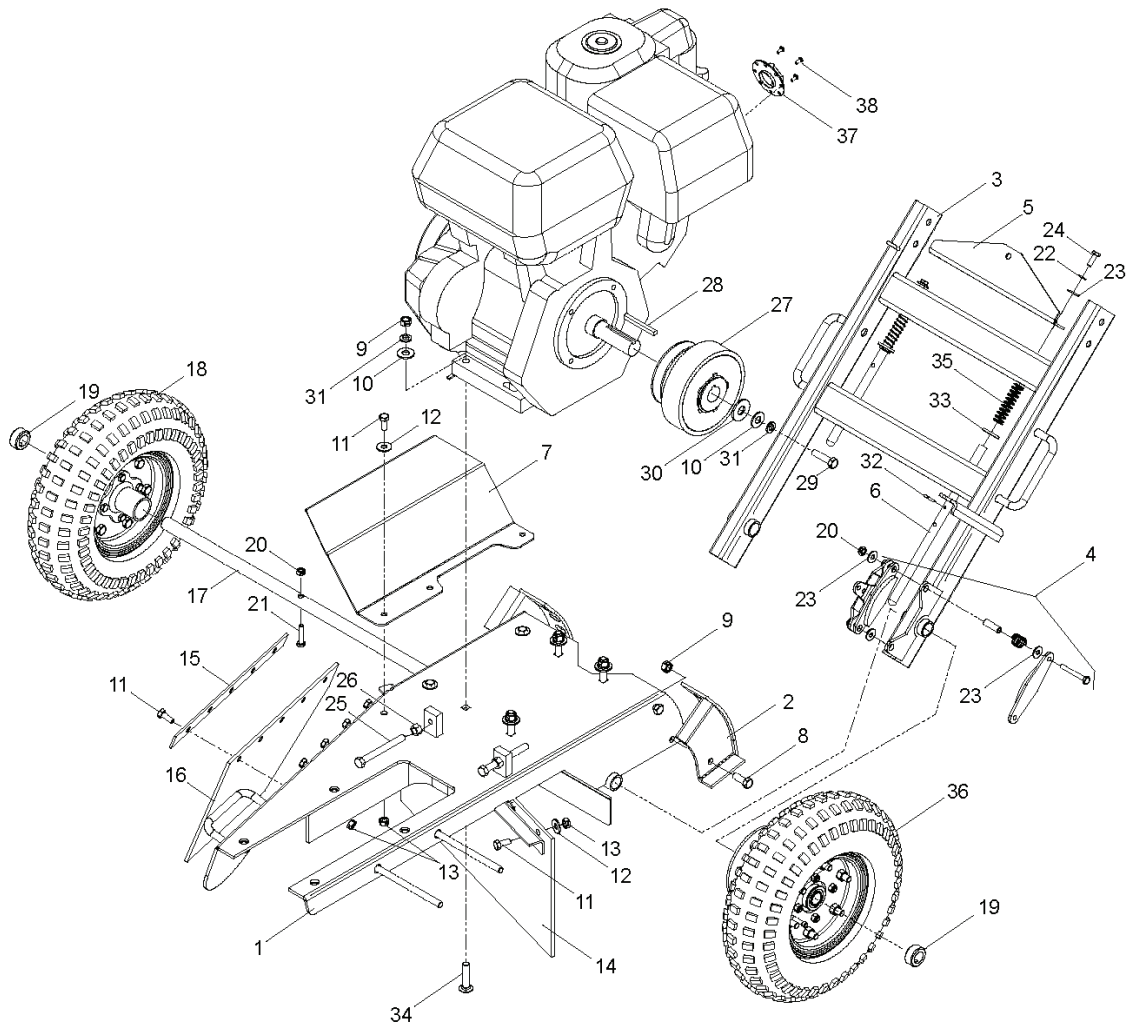


---

REF.	PART NO.	DESCRIPTION	REMARK	QTY.	KIT
1	532422012	DECAL		1	
2	532422010	DECAL		1	
3	539200830	DECAL		1	
4	539108987	DECAL		1	
5	525456101	DECAL		1	
6	539101881	DECAL		1	
7	539105743	DECAL		1	
8	539008369	DECAL		1	
9	539200829	DECAL		1	
10	540200126	DECAL		1	
11	540200027	DECAL		1	
12	539110590	DECAL		1	
13	539107311	DECAL	CE	1	
14	525475101	DECAL	CE 966042701	1	
15	539108173	DECAL		1	

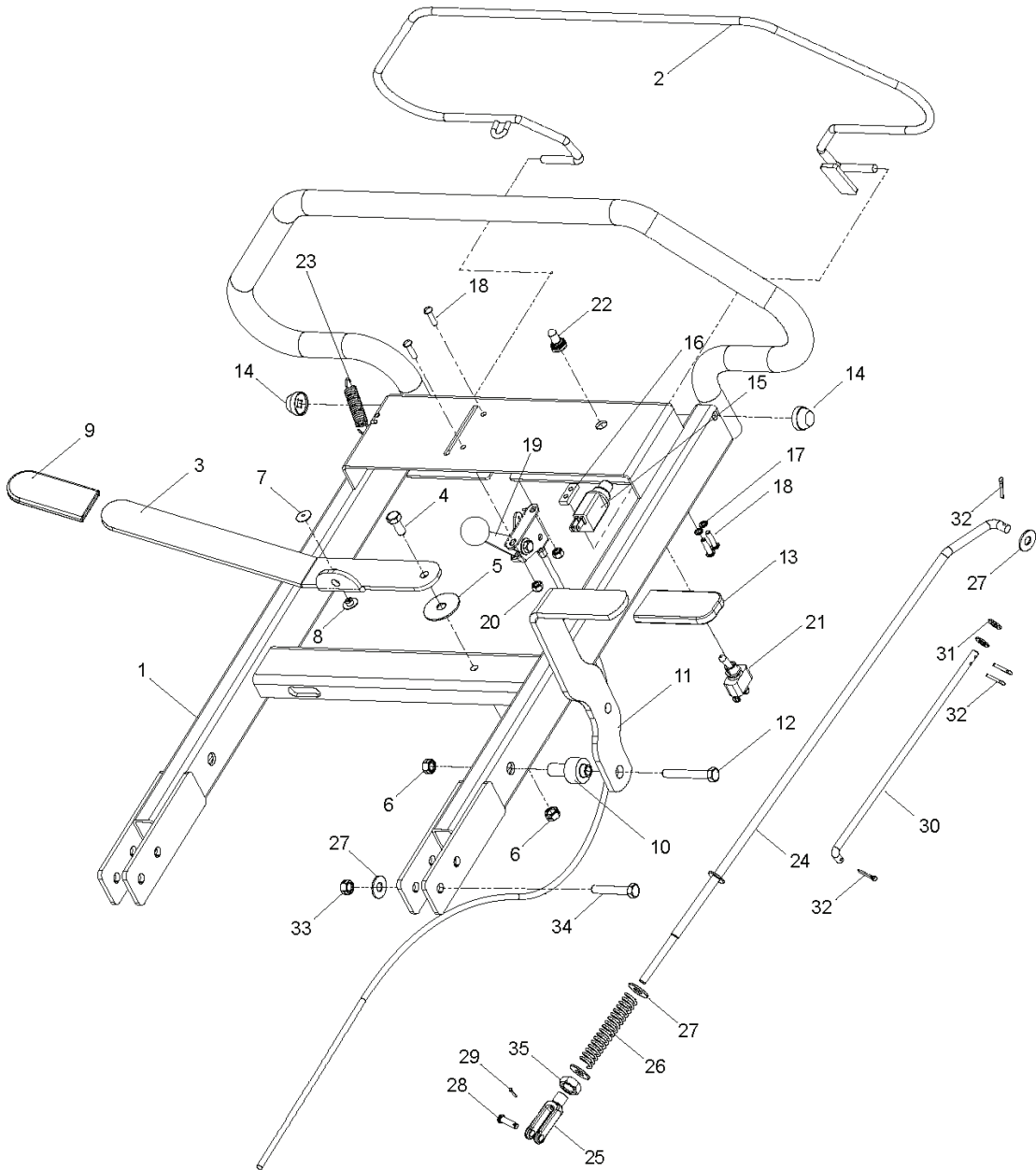


# FRAME



REF.	PART NO.	DESCRIPTION	REMARK	QTY.	KIT
1	539109316	DECK		1	
2	540200178	HANDLE BRACKET		2	
3	539109321	HANDLE WELD, LOWER HALF-GREY		1	
4	539020024	BRAKE LEVER		1	
5	539108649	BRACKET		1	
6	539020082	RETAINER		2	
7	539109283	FENDER		1	
8	539990563	SCREW		4	
9	539990546	NUT		8	
10	539990517	WASHER		9	
11	539976934	SCREW		14	
12	539990692	WASHER		9	
13	539990184	NUT		14	
14	539020094	DEFLECTOR, NEOPRENE, REAR		1	
15	539200781	LIST		1	
16	539020084	PROTECTOR		1	
17	539020085	SHAFT		1	
18	540020025	WHEEL	RT	1	
19	539020028	SEALING		2	
20	539990761	NUT		3	
21	539100266	BOLT		1	
22	539990052	WASHER		2	
23	539990598	WASHER		6	
24	539990580	SCREW		2	
25	539109389	BOLT		2	
26	539990130	NUT		2	
27	539020020	CLUTCH ASSY		1	
27	505194401	CLUTCH ASSY		1	
28	539917033	KEY		1	
29	539990164	HCS 3/8F X 1 1/2		1	
30	539109554	WASH USS FLAT 1/2		1	
31	539990118	WASHER		5	
32	539990365	PIN RETAINING SCREW		2	
33	539990250	WASHER		2	
34	539990923	RHSNB 3/8-16X1-3/4 GR 5 ZD		4	
35	539020034	SPRING		2	
36	539020074	WHEEL		1	
37	539020092	DEFLECTOR		1	
38	539108495	SCREW		3	
	539109299	HARNESS	NOT SHOWN	1	
	539110762	CLUTCH	NOT SHOWN	1	
	539110763	CLUTCH	NOT SHOWN	1	
	505246401	CLUTCH SHOE	NOT SHOWN	1	

# HANDLE & CONTROLS



REF.	PART NO.	DESCRIPTION	REMARK	QTY.	KIT
1	539109319	HANDLE		1	
2	539130818	BAIL		1	
3	539108647	HANDLE		1	
4	539976934	SCREW		1	
5	539102998	WASHER		1	
6	539990184	NUT		2	
7	539109089	RIVET		1	
8	539109090	RIVET		1	
9	539110865	GRIP		1	
10	539109279	BUSHING		1	
11	539108995	HANDLE		1	
12	539976938	CAPSCREW 5/16 X 2-1/4 HED HEAD		1	
13	539108996	GRIP		1	
14	539108792	NUT		2	
15	539020017	SWITCH		1	
16	539102678	PLATE		1	
17	539109552	WASHER		2	
18	539108535	SCREW		4	
19	539020023	CABLE		1	
20	539976977	NUT		2	
21	539020016	BRAKER		1	
22	539020041	COVER		1	
23	539020035	SPRING		1	
24	539108992	ROD		1	
25	539976481	YOKE		1	
26	539100102	SPRING		1	
27	539990517	WASHER		7	
28	539108975	CLEVIS PIN		1	
29	539976988	PIN		1	
30	539108648	ROD		1	
31	539990188	WASHER		2	
32	539990365	PIN RETAINING SCREW		4	
33	539990546	NUT		4	
34	539990588	SCREW		4	
35	539110943	NUT		1	
	539976856	TIE WRAP	NOT SHOWN	5	
	539109298	HARNESS	NOT SHOWN	1	