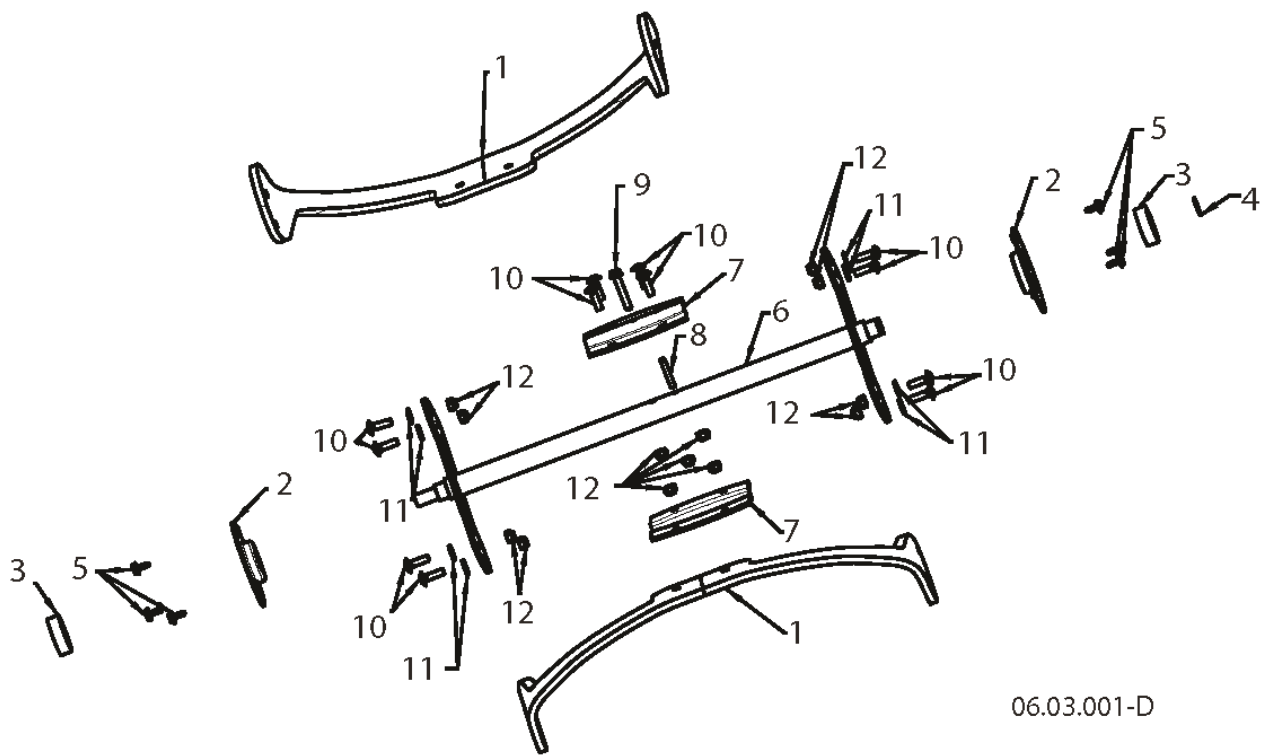


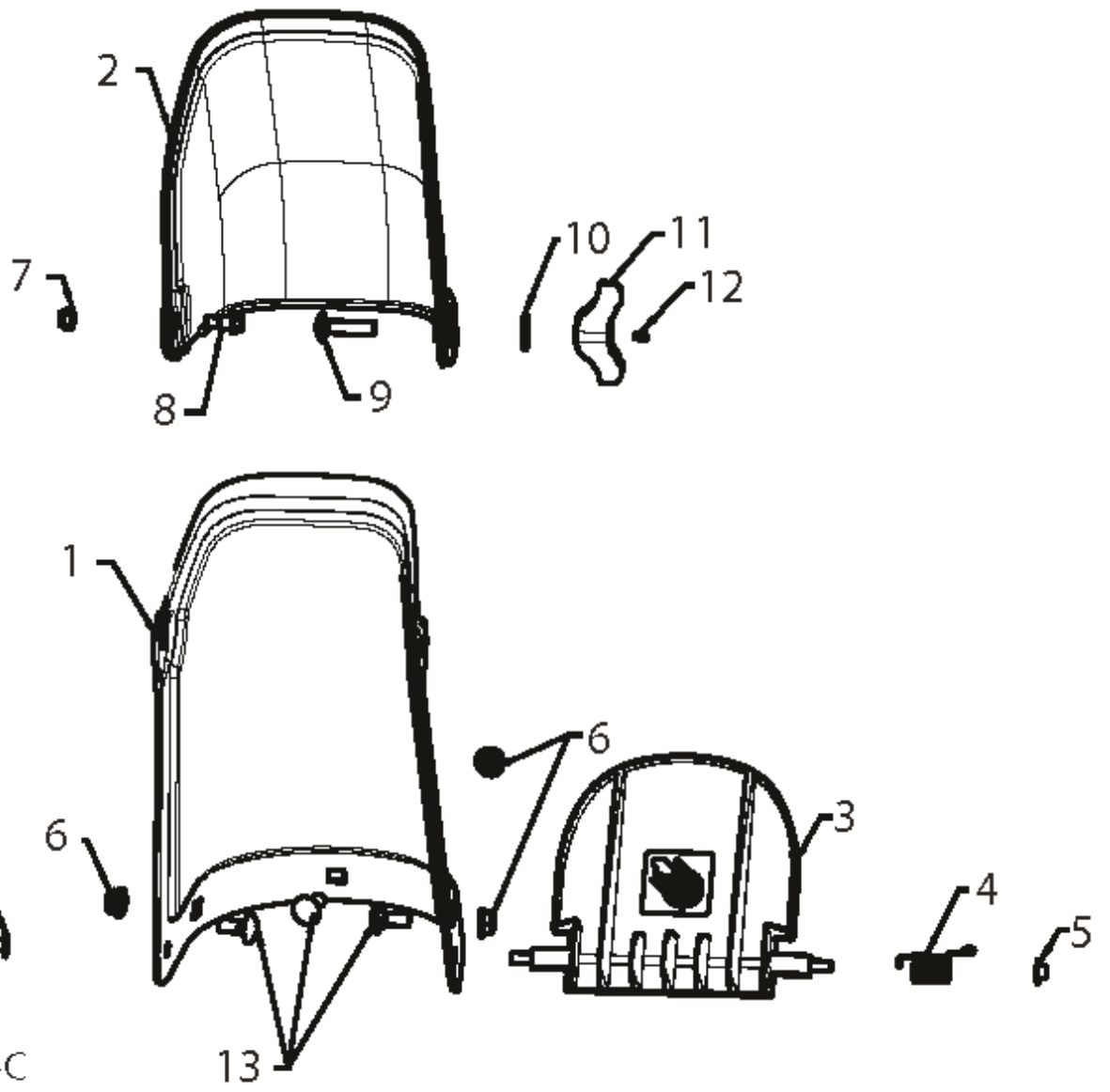
ST 121E, 96181000902, 2012- 07

SPARE PARTS LIST



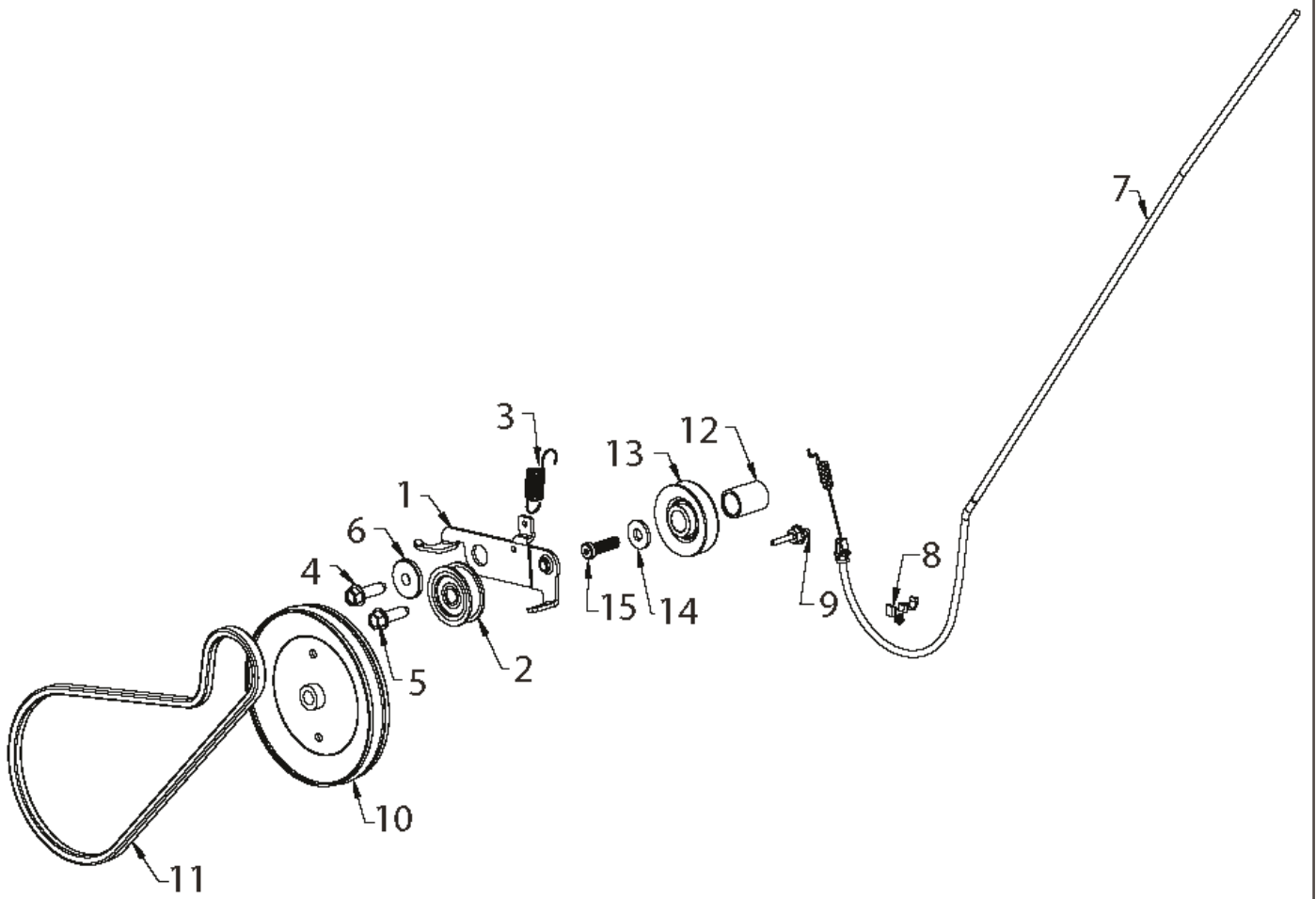
06.03.001-D

| REF. | PART NO. | DESCRIPTION | REMARK | QTY. | KIT |
|------|-----------|-----------------|--------|------|-----|
| 1 | 532442759 | BLADE | | 1 | |
| 2 | 580855501 | BEARING SUPPORT | | 1 | |
| 3 | 532437622 | BEARING | | 1 | |
| 4 | 812000028 | CLIP | | 1 | |
| 5 | 817060408 | SCREW | | 1 | |
| 6 | 532437617 | AUGER | | 1 | |
| 7 | 580855401 | PLATE | | 1 | |
| 8 | 532437620 | PIN | | 1 | |
| 9 | 532199687 | SCREW | | 1 | |
| 10 | 872110407 | BOLT | | 1 | |
| 11 | 819091016 | WASHER | | 1 | |
| 12 | 532132004 | NUT | | 1 | |



06.05.004-C

| REF. | PART NO. | DESCRIPTION | REMARK | QTY. | KIT |
|------|-----------|-------------|--------|------|-----|
| 1 | 532444151 | CHUTE | | 1 | |
| 2 | 532443431 | DEFLECTOR | | 1 | |
| 3 | 532444140 | GUARD | | 1 | |
| 4 | 532436622 | SPRING | | 1 | |
| 5 | 532442251 | NUT | | 1 | |
| 6 | 873970500 | NUT | | 1 | |
| 7 | 532132004 | NUT | | 1 | |
| 8 | 532444682 | BOLT | | 1 | |
| 9 | 872110510 | BOLT | | 1 | |
| 10 | 819131316 | WASHER | | 1 | |
| 11 | 532445019 | KNOB | | 1 | |
| 12 | 532071673 | COVER | | 1 | |
| 13 | 872010506 | BOLT | | 1 | |



06.01.001-B

| REF. | PART NO. | DESCRIPTION | REMARK | QTY. | KIT |
|------|-----------|-------------|---------------------|------|-----|
| 1 | 580855301 | ARM | | 1 | |
| 2 | 532166043 | PULLEY | | 1 | |
| 3 | 532434859 | SPRING | | 1 | |
| 4 | 817060620 | SCREW | TORQUE 13-18 FT-LBS | 1 | |
| 5 | 817060620 | SCREW | TORQUE 13-18 FT-LBS | 1 | |
| 6 | 532199092 | SPACER | | 1 | |
| 7 | 532443018 | CLUTCH | | 1 | |
| 8 | 532145006 | CLIP | | 1 | |
| 9 | 532434502 | HOLDER | | 1 | |
| 10 | 532435383 | PULLEY | | 1 | |
| 11 | 532437261 | BELT | | 1 | |
| 12 | 532434860 | SPACER | | 1 | |
| 13 | 532426490 | PULLEY | | 1 | |
| 14 | 532851074 | WASHER | | 1 | |
| 15 | 532430817 | BOLT | | 1 | |

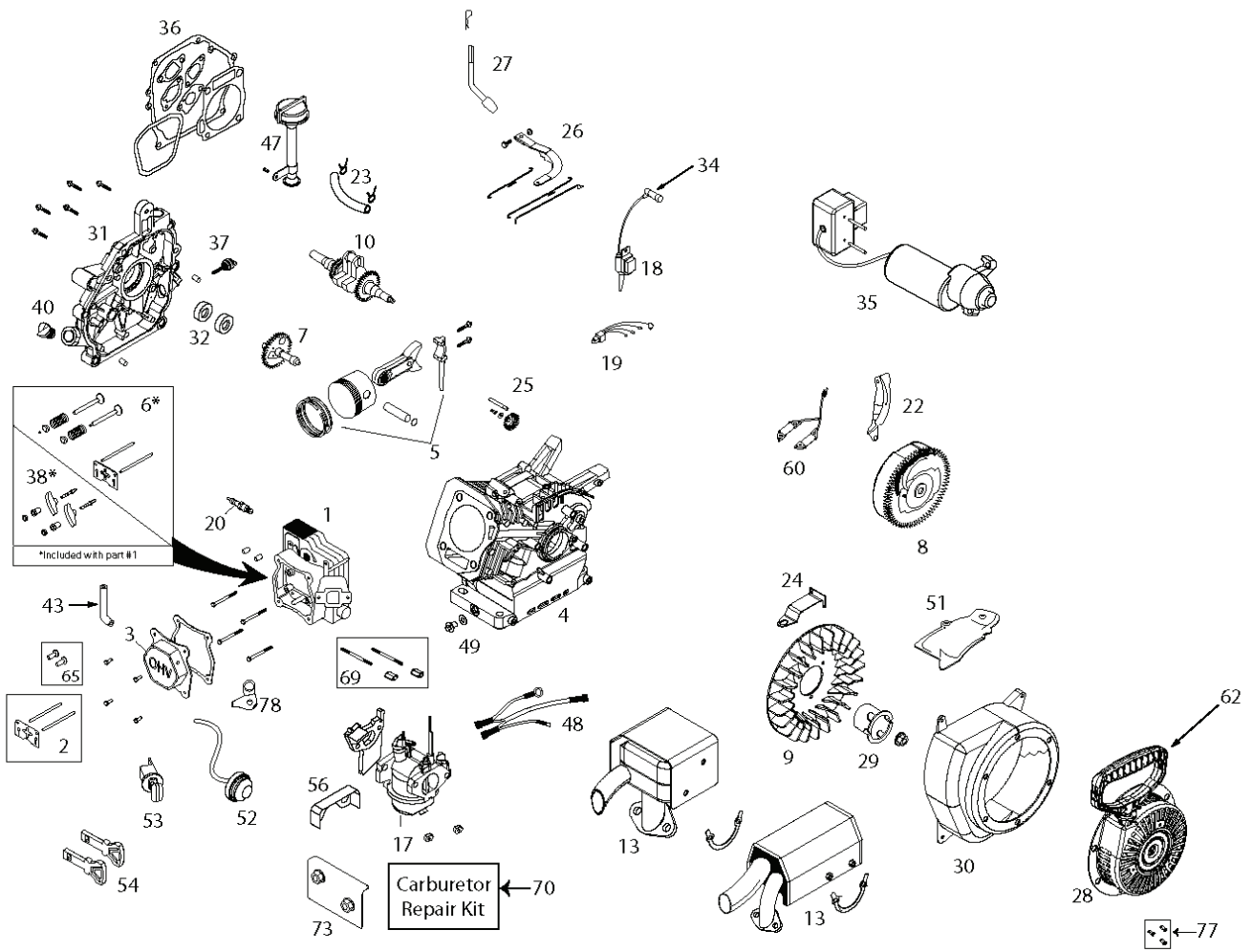
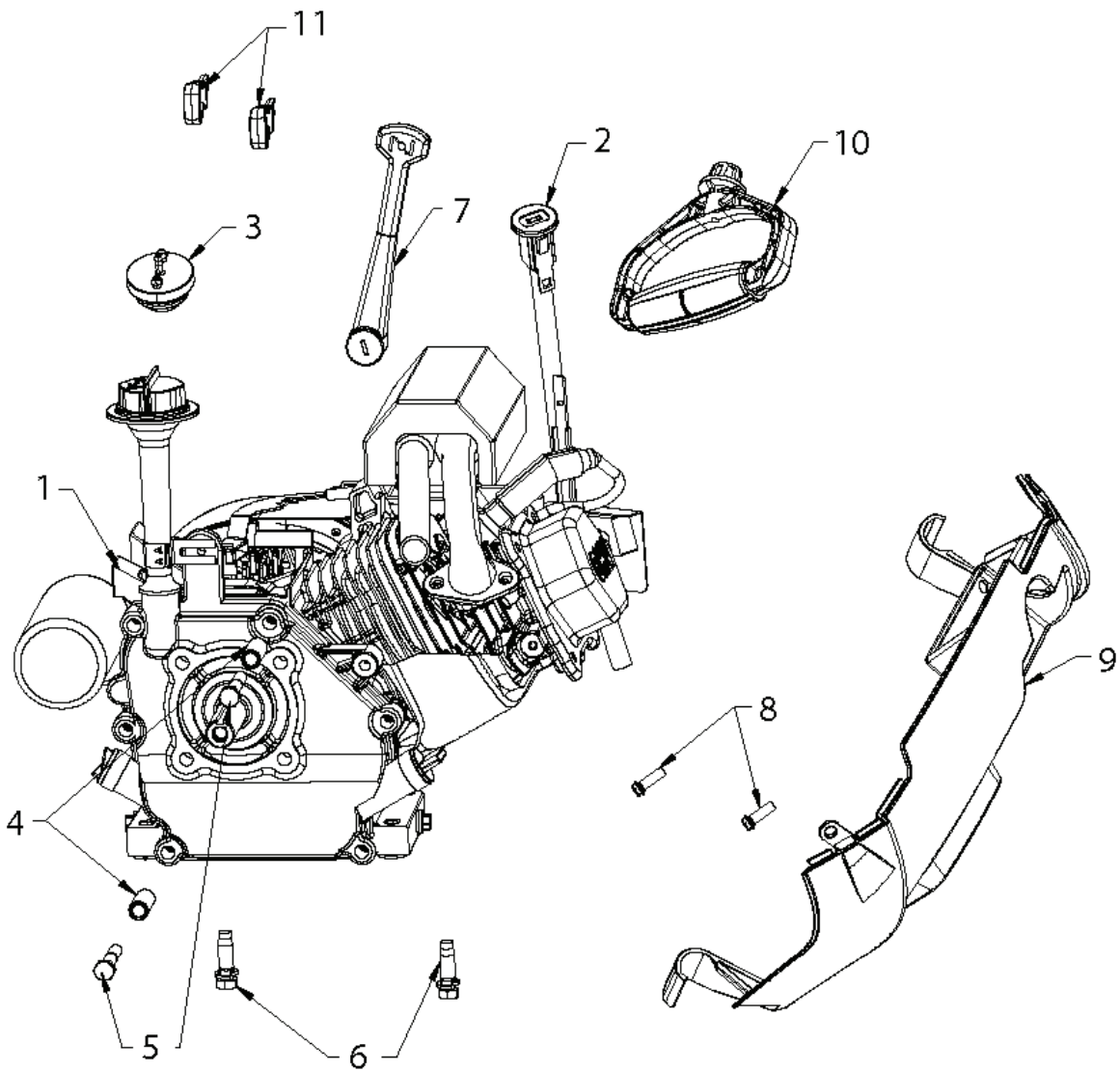


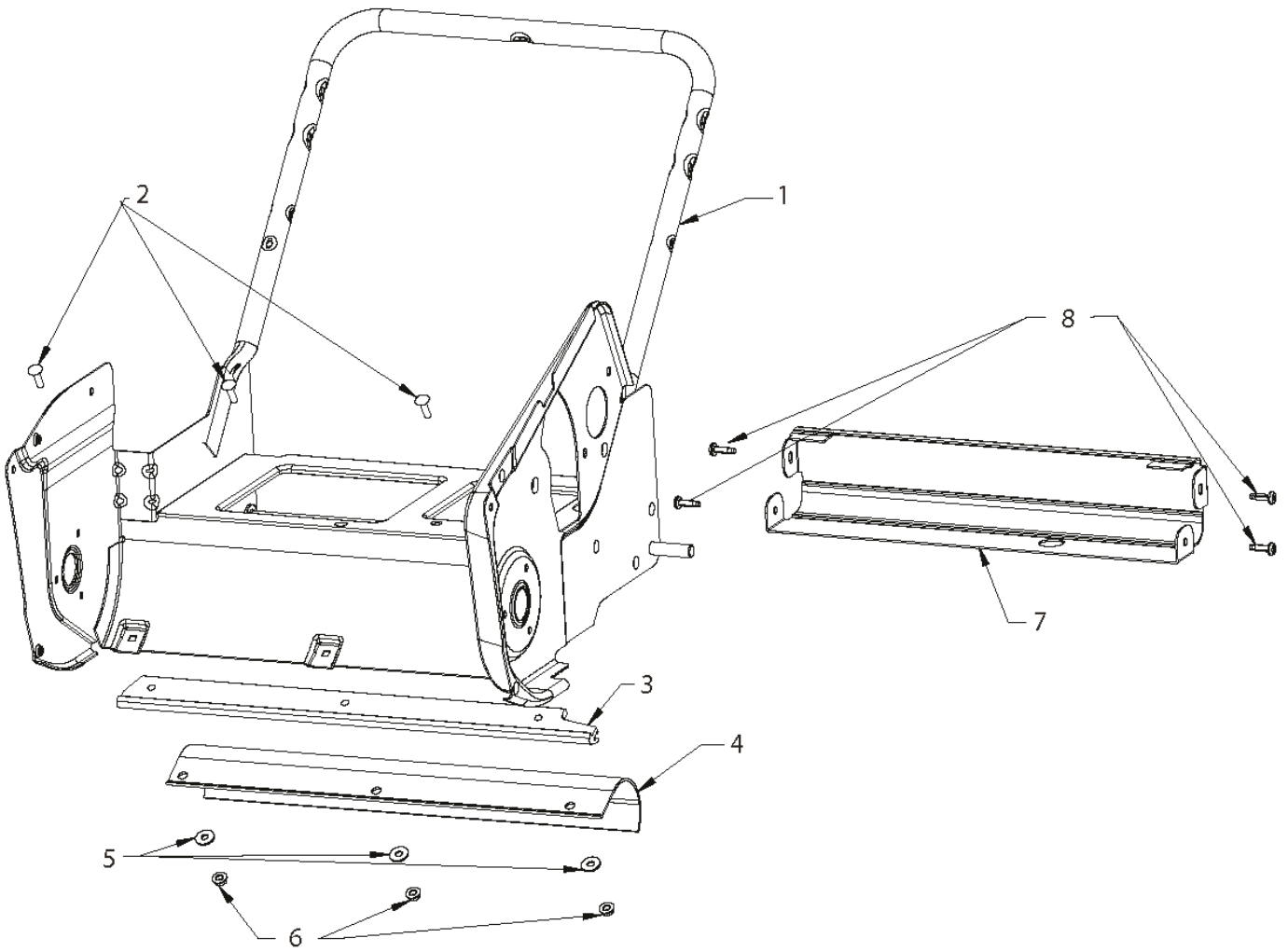
ILLUSTRATION FOR REFERENCE PURPOSES ONLY

| REF. | PART NO. | DESCRIPTION | REMARK | QTY. | KIT |
|------|-----------|------------------------------|-------------------------|------|-----|
| 1 | 532420578 | CYLINDER HEAD | | 1 | |
| 2 | 532420579 | PUSH ROD SERVICE KIT | | 1 | |
| 3 | 532420580 | VALVE COVER SERVICE KIT | | 1 | |
| 4 | 532436567 | CYLINDER | | 1 | |
| 5 | 532420582 | PISTON ASSY | | 1 | |
| 6 | 532420583 | CONNECTING ROD | | 1 | |
| 7 | 532420584 | CAMSHAFT | | 1 | |
| 8 | 532429235 | FLYWHEEL ASSY | | 1 | |
| 9 | 532420586 | FLYWHEEL | | 1 | |
| 10 | 532446642 | CRANKSHAFT | | 1 | |
| 13 | 532444277 | MUFFLER ASSY | | 1 | |
| 17 | 532437122 | CARBURETTOR | | 1 | |
| 18 | 580941301 | IGNITION COIL | | 1 | |
| 19 | 532424968 | SNOW STARTER CHIP | | 1 | |
| 20 | 532424939 | SPARK PLUG | | 1 | |
| 22 | 532424975 | SHLD ELEC START FLYWHEEL | | 1 | |
| 23 | 532438014 | HOSE KIT | | 1 | |
| 24 | 532429259 | SPEED CONTROL BRACKET | | 1 | |
| 25 | 532429646 | GEAR | | 1 | |
| 26 | 532420601 | GOVERNOR ARM SERVICE KIT | | 1 | |
| 27 | 532420602 | GOVERNOR | | 1 | |
| 28 | 532436967 | RECOIL | | 1 | |
| 29 | 532436968 | CUP | | 1 | |
| 30 | 580960501 | BLOWER HOUSING | | 1 | |
| 31 | 532420606 | CRANKCASE | Serial # > 1265H0519257 | 1 | |
| 31 | 581007301 | COVER | Serial # < 1265H0519257 | 1 | |
| 32 | 532429599 | SEAL KIT | | 1 | |
| 34 | 532436966 | BOOT | | 1 | |
| 35 | 532437125 | STARTER | | 1 | |
| 36 | 532429601 | GASKET KIT | | 1 | |
| 37 | 532420961 | DIPSTICK | | 1 | |
| 38 | 532429691 | ARM | | 1 | |
| 40 | 532429598 | NON REMOVABLE PLUG | | 1 | |
| 43 | 580353401 | BREATHER | | 1 | |
| 47 | 532444091 | TUBE | Serial # > 1265H0519257 | 1 | |
| 47 | 581007201 | TUBE ASSY | Serial # < 1265H0519257 | 1 | |
| 48 | 580941401 | HARNES | | 1 | |
| 49 | 532435495 | OIL PLUG | | 1 | |
| 51 | 532437119 | SHIELD | | 1 | |
| 52 | 532437123 | BULB | | 1 | |
| 53 | 532424954 | KEY START ASSY | | 1 | |
| 54 | 532443935 | KIT | | 1 | |
| 56 | 532429260 | SHIELD | | 1 | |
| 60 | 532444090 | COIL | | 1 | |
| 62 | 532443899 | STARTER HANDLE | | 1 | |
| 65 | 581372801 | TAPPET | | 1 | |
| 69 | 532424951 | CARB STUDS AND COUPLINGS KIT | | 1 | |
| 70 | 580353601 | CARBURETTOR | | 1 | |
| 73 | 532444275 | SHIELD | | 1 | |
| 77 | 532432688 | BOLT KIT | | 1 | |
| 78 | 581459301 | BRACKET | | 1 | |



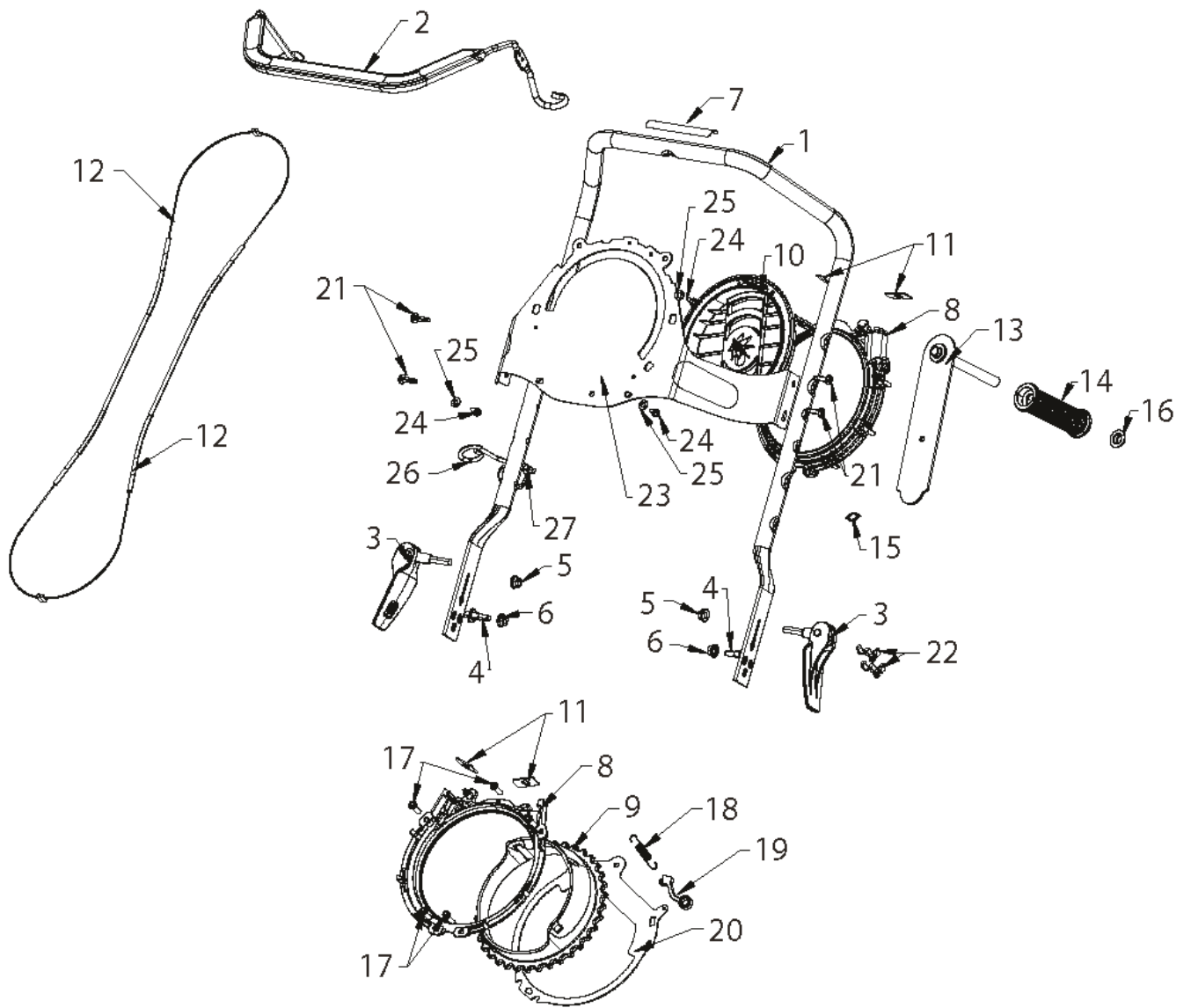
06.02.013-A

| REF. | PART NO. | DESCRIPTION | REMARK | QTY. | KIT |
|------|-----------|-------------|---------------------|------|-----|
| 1 | 580811201 | ENGINE | LCT - PW5HK1865018Y | 1 | |
| 2 | 580850201 | SWITCH | | 1 | |
| 3 | 532436235 | PRIMER | | 1 | |
| 4 | 532434857 | SPACER | | 1 | |
| 5 | 532435578 | SCREW | | 1 | |
| 6 | 532150406 | BOLT | | 1 | |
| 7 | 532434874 | LEVER | | 1 | |
| 8 | 817411312 | SCREW | | 1 | |
| 9 | 532443424 | COVER | | 1 | |
| 10 | 532443070 | HANDLE | | 1 | |
| 11 | 532443935 | KIT | | 1 | |



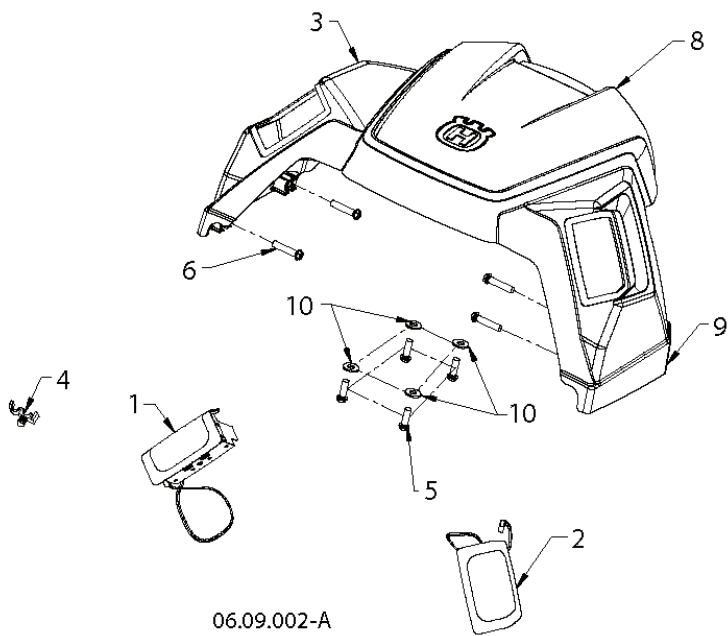
06.00.002-A

| REF. | PART NO. | DESCRIPTION | REMARK | QTY. | KIT |
|------|-----------|-------------|--------|------|-----|
| 1 | 532444723 | FRAME | | 1 | |
| 2 | 872110407 | BOLT | | 1 | |
| 3 | 580502601 | SCRAPER | | 1 | |
| 4 | 532442146 | SCRAPER | | 1 | |
| 5 | 819091216 | WASHER | | 1 | |
| 6 | 532191730 | NUT | | 1 | |
| 7 | 532443423 | SUPPORT | | 1 | |
| 8 | 532442250 | SCREW | | 1 | |

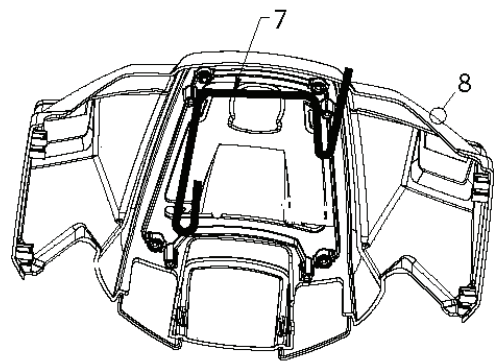


06.07.005-A

| REF. | PART NO. | DESCRIPTION | REMARK | QTY. | KIT |
|------|-----------|-------------|--------|------|-----|
| 1 | 532443432 | HANDLE | | 1 | |
| 2 | 532443433 | BAIL | | 1 | |
| 3 | 532443021 | ADJUSTER | | 1 | |
| 4 | 532199255 | PEN | | 1 | |
| 5 | 532442248 | NUT | | 1 | |
| 6 | 873970500 | NUT | | 1 | |
| 7 | 532437506 | DECAL | | 1 | |
| 8 | 532443938 | RING | | 1 | |
| 9 | 532443939 | CHUTE | | 1 | |
| 10 | 532443940 | PULLEY | | 1 | |
| 11 | 532436806 | CABLE | | 1 | |
| 12 | 532436805 | CABLE | | 1 | |
| 13 | 532436890 | HANDLE | | 1 | |
| 14 | 532442835 | GRIP | | 1 | |
| 15 | 532444749 | WASHER | | 1 | |
| 16 | 532435417 | NUT | | 1 | |
| 17 | 817411312 | SCREW | | 1 | |
| 18 | 580664501 | SPRING | | 1 | |
| 19 | 532434878 | ARM | | 1 | |
| 20 | 580855601 | PLATE | | 1 | |
| 21 | 532442250 | SCREW | | 1 | |
| 22 | 532145006 | CLIP | | 1 | |
| 23 | 580855901 | BRACKET | | 1 | |
| 24 | 532184471 | SCREW | | 1 | |
| 25 | 810040400 | WASHER | | 1 | |
| 26 | 532442234 | ROPE | | 1 | |
| 27 | 532132004 | NUT | | 1 | |

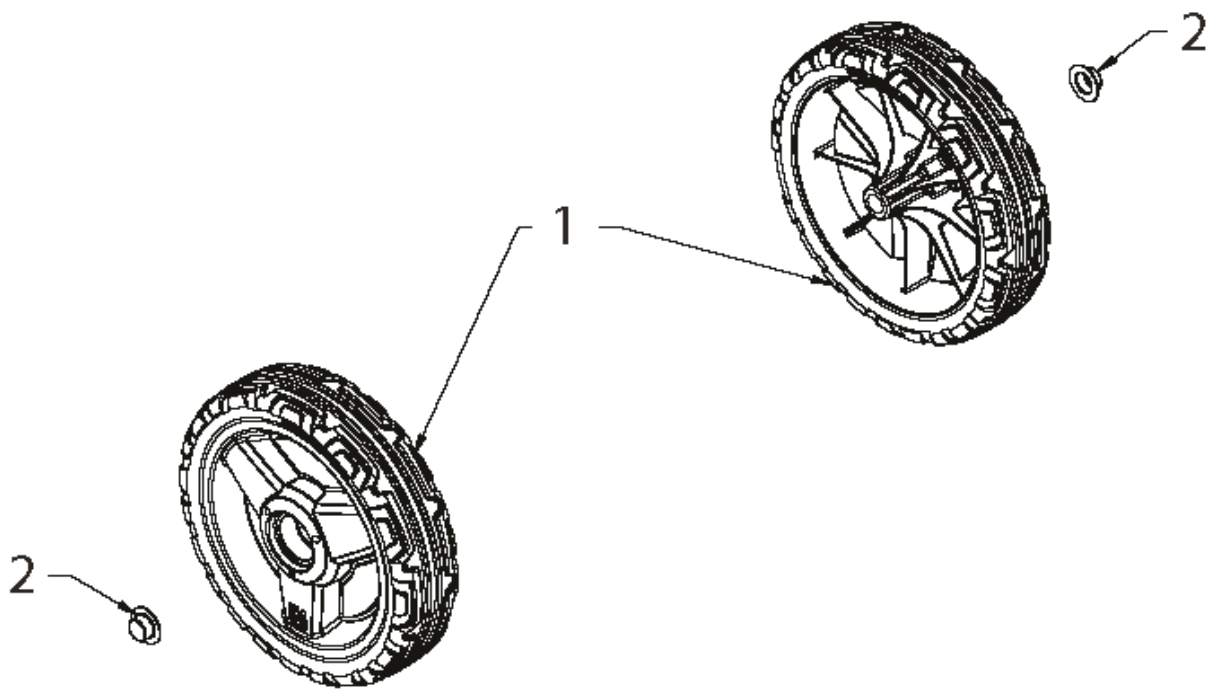


06.09.002-A



| REF. | PART NO. | DESCRIPTION | REMARK | QTY. | KIT |
|------|-----------|-------------|--------|------|-----|
| 1 | 580680501 | BULB | RH | 1 | |
| 2 | 580680502 | BULB | LH | 1 | |
| 3 | 581008801 | CONTROL | | 1 | |
| 4 | 532145006 | CLIP | | 1 | |
| 5 | 817411312 | SCREW | | 1 | |
| 6 | 817411318 | SCREW | | 1 | |
| 7 | 532443046 | LENS | | 1 | |
| 8 | 532443245 | SHROUD | | 1 | |
| 9 | 532441624 | SHROUD | | 1 | |
| 10 | 819091016 | WASHER | | 1 | |

| REF. | PART NO. | DESCRIPTION | REMARK | QTY. | KIT |
|------|-----------|-------------|--------|------|-----|
| 1 | 532443425 | AUGER | | 1 | |
| 2 | 532443426 | COVER | | 1 | |
| 3 | 532443973 | COVER | | 1 | |
| 4 | 819131316 | WASHER | | 1 | |
| 5 | 532428867 | BOLT | | 1 | |
| 6 | 817411312 | SCREW | | 1 | |
| 7 | 532196688 | NUT | | 1 | |
| 8 | 532442250 | SCREW | | 1 | |
| 9 | 532444262 | SCREW | | 1 | |
| 10 | 580833501 | PLATE | | 1 | |
| 11 | 819091016 | WASHER | | 1 | |



06.06.007-A

| REF. | PART NO. | DESCRIPTION | REMARK | QTY. | KIT |
|------|-----------|-------------|--------|------|-----|
| 1 | 532442825 | WHEEL | | 1 | |
| 2 | 532435417 | NUT | | 1 | |