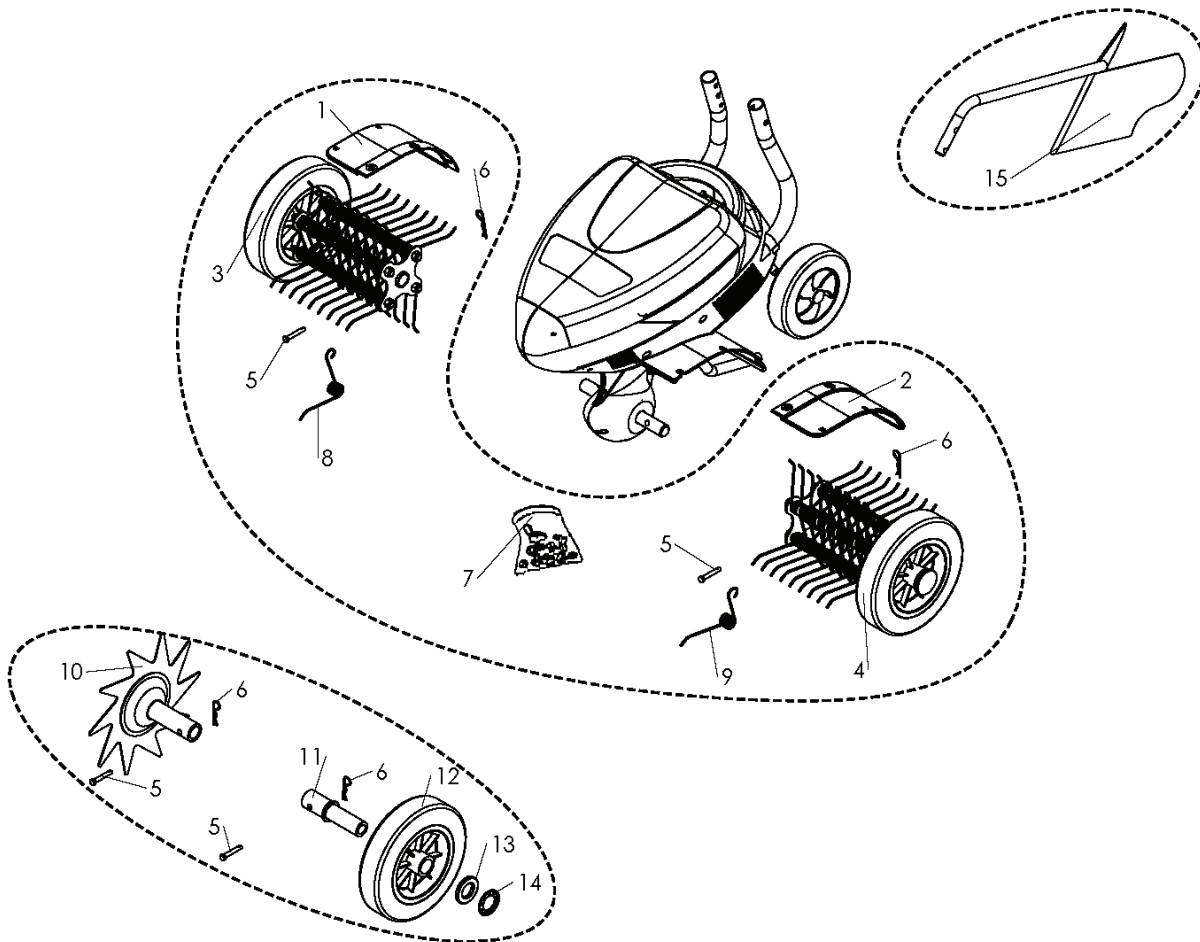


TB1000 522037001, 2009-01

SPARE PARTS LIST

REPAIR PARTS

TILLER ACCESSORIES - MODEL NO. TB1000 ACCESSORIES, PRODUCT NO.525 29 00-01



KEY NO.	PART NO.	DESCRIPTION	DESIGNATION	QTE QTY
1	522 99 30-01	Orange (RAL 2009) right protective fender	Aile protection droite Orange RAL 2009	1
2	522 99 31-01	Orange (RAL 2009) left protective fender	Aile de protection gauche Orange RAL 2009	1
3	510 37 10-01	Right dethatcher (Méca/MB FUN/MBE)	Emousseur Droit Méca/MB FUN/MBE	1
4	510 37 12-01	Left dethatcher (Méca/MB FUN/MBE)	Emousseur Gauche Méca/MB FUN/MBE	1
5	510 37 14-01	Pin 8x37 Z	Goupille 8x37 Z	2
6	519 65 12-20	Clip pin beta 2 Z	Goupille Béta 2 Z	2
7	510 37 21-01	Bag of screws dethatcher	Pochette visseries tôles additionnelles	1
8	510 37 11-01	Right spring box dethatcher (Qty.10)	Pochette ressort droit emousseur Méca/MB FUN (Qté.10)	1
9	510 37 13-01	Left spring box dethatcher (Qty.10)	Pochette ressort gauche Emousseur MECA/MB FUN (Qté.10)	1
10	510 37 19-01	Black edger tool	Outil coupe boudure Noir	1
11	510 37 15-01	Wheel hub edger	Moyeu roue coupe bordure	1
12	510 37 16-01	Wheel Ø200 ales 25	Roue Ø200 ales 25	1
13	510 37 05-01	Washer 25x45x4z	Rondelle 25x45x4z	1
14	510 37 06-01	Starlock washer Ø25	Rondelle starlock Ø25	1
15	525 34 47-01	Black MBE ridging	Butteur MBE Noir	1

REF.	PART NO.	DESCRIPTION	REMARK	QTY.	KIT
1	522993001	FENDER		1	
2	522993101	FENDER		1	
3	510371001	LAWNRAKE		1	
4	510371201	LAWNRAKE		1	
5	510371401	PEN		2	
6	519651220	PIN RETAINING SCREW		2	
7	510372101	SCREW KIT		1	
8	510371101	LAWNRAKE		10	
9	510371301	LAWNRAKE		10	
10	510371901	EDGER ATTACHMENT		1	
11	510371501	EDGER		1	
12	510371601	WHEEL		1	
13	510370501	WASHER		1	
14	510370601	WASHER		1	
15	525344701	PLOUGH		1	