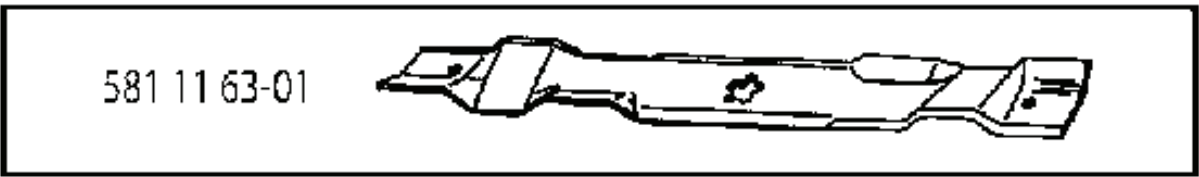
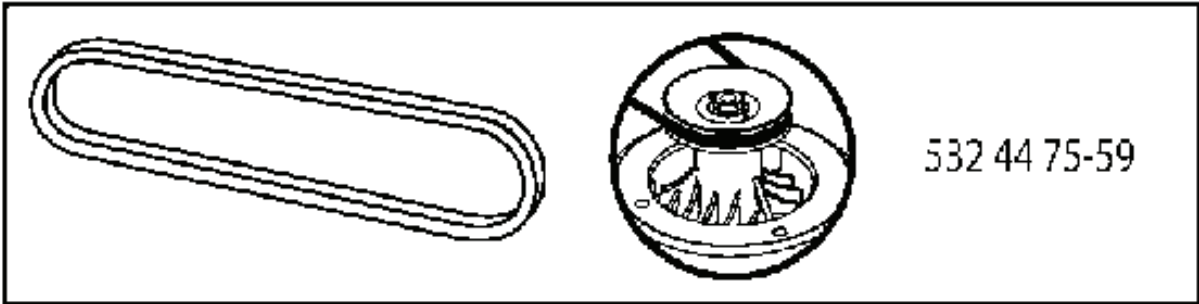
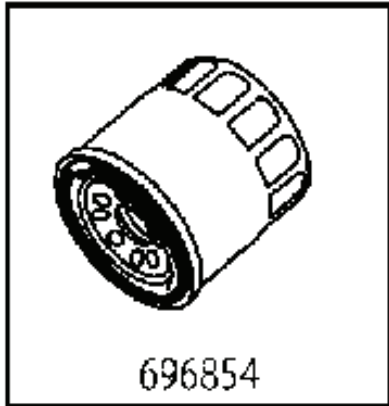
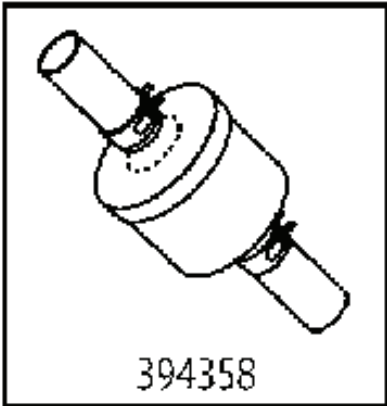
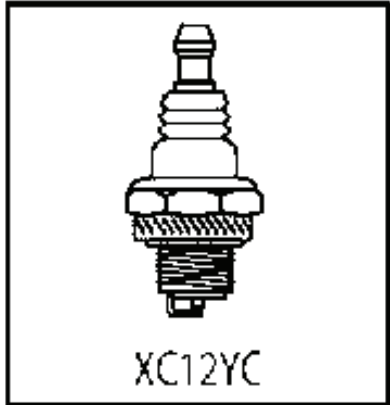
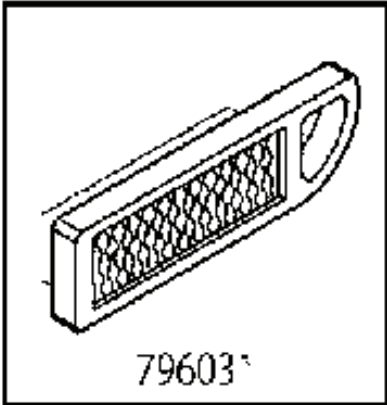


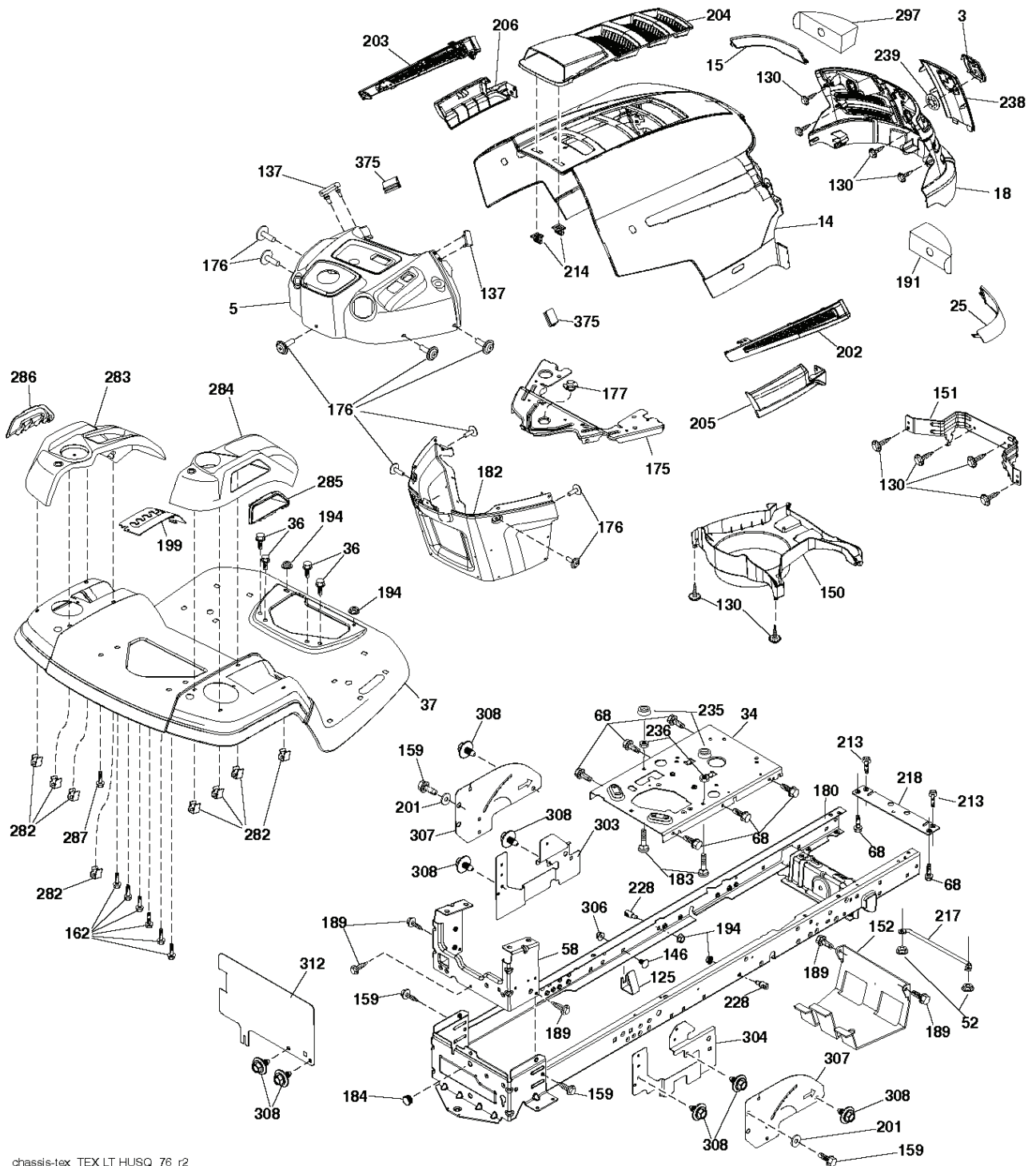
TS 238, 96041036902, 2015-07

SPARE PARTS LIST



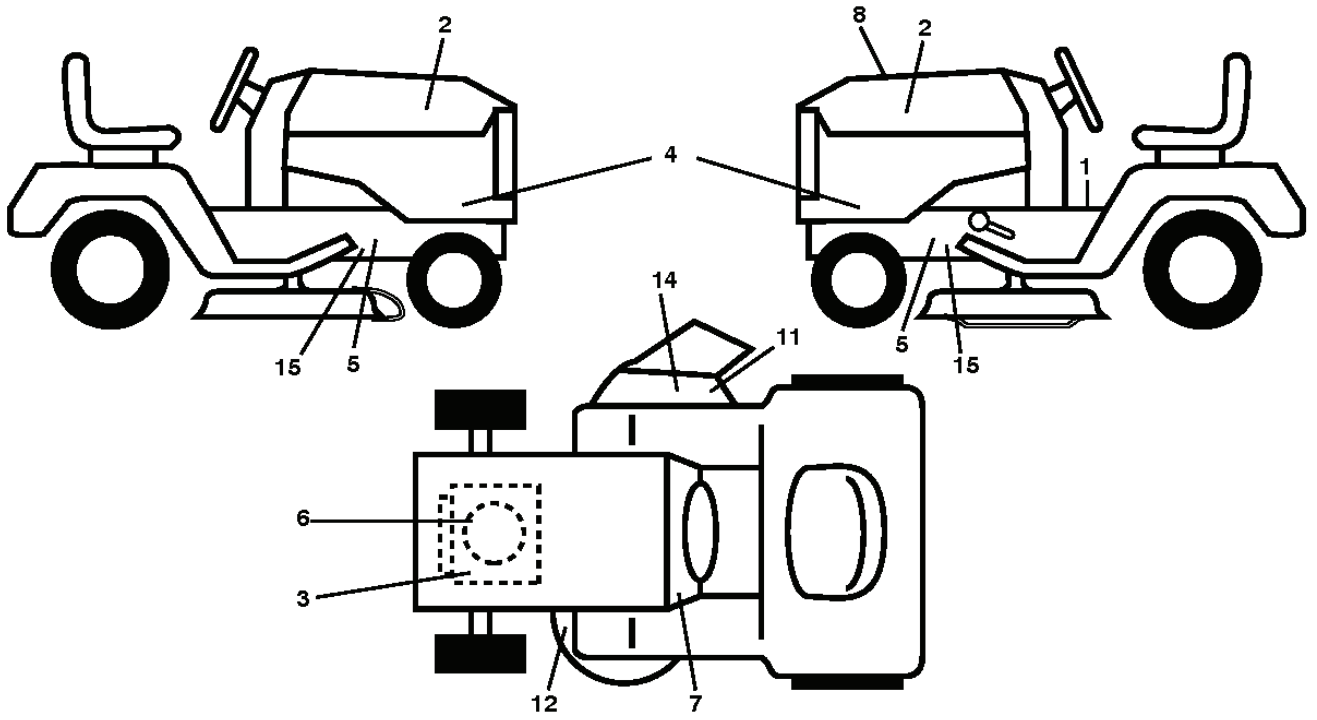
587456401

REF.	PART NO.	DESCRIPTION	REMARK	QTY.	KIT
796031	TBD	TBD		1	
XC12YC	TBD	TBD		1	
394358	394358	FILTER		1	
696854	696854	LFILTER CTH170		1	
532130969	532130969	BELT		1	
532447559	532447559	BELT		1	
581116301	581116301	BLADE		1	



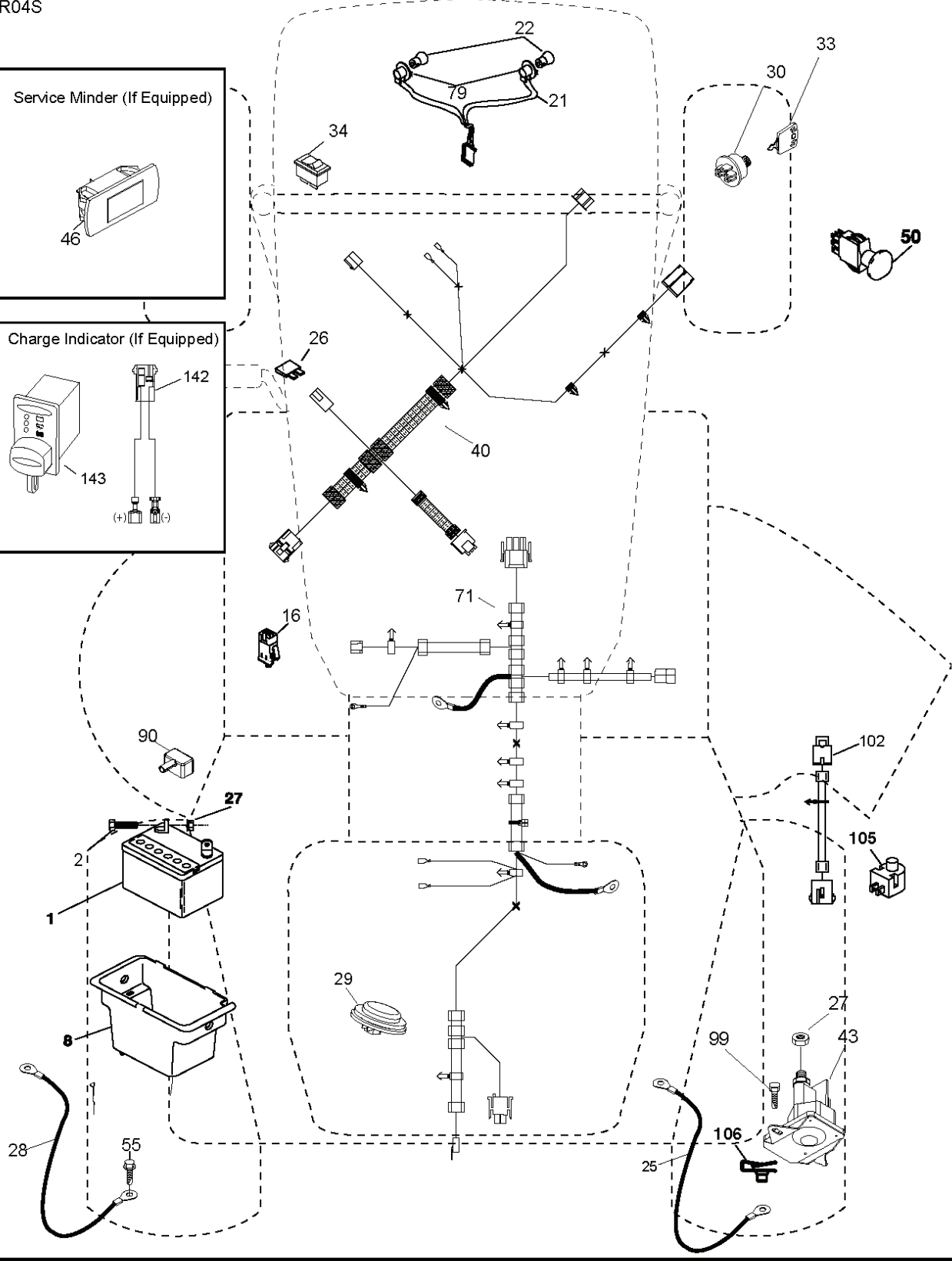
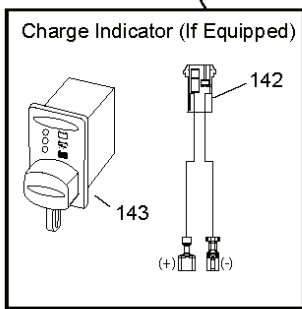
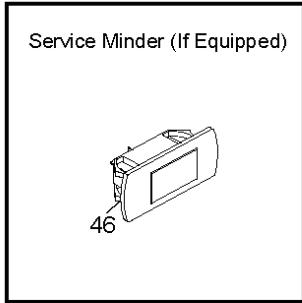
REF.	PART NO.	DESCRIPTION	REMARK	QTY.	KIT
3	581056301	LOGOTYPE		1	
5	585529807	DASH		1	
14	532441267	HOOD		1	
15	532441428	LENS		1	
18	532441368	GRILLE		1	
25	532441427	LENS		1	
34	580910801	CHASSIS		1	
36	817060512	SCREW		1	
37	532441266	FENDER		1	
52	873680500	NUT		1	
58	532412280	PLATE		1	
68	539990858	SCR5/16-18X1/2 SELFTAP ZN SPEC		1	
125	581684801	CLIP		1	
130	532416358	SCREW		1	
137	532407590	DAMPING PIECE		1	
146	581857901	BOLT		1	
150	532406662	AIR DUCT		1	
151	532407807	BRACKET		1	
152	532199535	SHIELD		1	
159	817000612	SCREW		1	
162	532142432	SCREW		1	
175	532199472	PLATE		1	
176	532400776	SCREW		1	
177	532195228	BUSHING		1	
180	532415064	FRAME		1	
182	532407176	DASH		1	
183	874520520	BOLT		1	
184	587554101	PLUG		1	
189	817000512	SCREW		1	
191	532416501	INSERT		1	
194	873900500	NUT		1	
199	532413485	PLATE		1	
201	819132012	WASHER		1	
202	532441342	COVER		1	
203	532441343	COVER		1	
204	532441375	COVER		1	
205	532441344	SKIRT		1	
206	532441345	SKIRT		1	
213	539976934	SCREW		1	
214	532199145	CLIP		1	
217	532409167	ROD		1	
218	532196395	PLATE		1	
228	532195161	STUD		1	
235	532406129	SPACER		1	
236	873930500	NUT		1	
238	532441374	SPARE PARTS		1	
239	532404883	CLIP		1	
282	532414110	CLIP		1	
283	532442039	DECK		1	
284	532439823	CONSOLE		1	
285	532416315	CONSOLE		1	
286	532416317	CONSOLE		1	
287	817600406	SCREW		1	
297	532406665	INSERT		1	
303	589008102	GUARD		1	
304	589009002	GUARD		1	
306	873900600	NUT		1	
307	587494601	SHIELD		1	
308	532171877	BOLT		1	
312	589006702	COVER		1	
375	586908201	BUMPER		1	
--	532400944	FRONT BUMPER	*SUBS/2*	1	

REF.	PART NO.	DESCRIPTION	REMARK	QTY.	KIT
1	000000000	W/O DESCRIPTION	TRANSAXLE TUFFTORO MODEL K46BT (426120)	1	
2	532123583	KEY		1	
15	819131316	WASHER		1	
17	532413678	SRPING.BRAKE.K46.GREEN*SUBS/2*		1	
29	532403806	ROD		1	
33	812000001	RETAINER RING		1	
35	532401031	ROD		1	
37	532188967	WASHER		1	
42	532008883	PEDAL RUBBER		1	
49	872110614	BOLT		1	
50	532194327	PULLEY		1	
51	873900600	NUT		1	
52	532194326	PULLEY		1	
56	532130969	BELT		1	
64	532197865	SHAFT		1	
69	532423303	HAIR PIN COTTER		1	
73	874490540	BOLT		1	
99	582404501	ROD		1	
116	873900500	NUT		1	
125	817000512	SCREW		1	
143	539990858	SCR5/16-18X1/2 SELFTAP ZN SPEC		1	
153	532004497	CLIP		1	
159	876020412	SPLIT PIN		1	
160	532169484	PIN		1	
161	532105709	SPRING		1	
163	532448275	CONTROL		1	
166	532429164	NUT		1	
167	532405257	LATCH		1	
170	532194322	KEEPER		1	
171	872110616	BOLT		1	
183	532137057	SPACER		1	
184	532411484	CONTROL		1	
185	872110622	BOLT		1	
186	532194321	SPACER		1	
187	819133210	WASHER		1	
188	582217001	LINK		1	
189	532194317	PLATE		1	
190	532194318	BELT GUIDE		1	
196	817000616	SCREW		1	
197	532195804	BRACKET		1	
205	532121748	WASHER		1	
210	532400980	PEDAL ARM		1	
211	532120183	BEARING		1	
214	532421263	PAD		1	
215	586606502	PEDAL		1	
216	532196131	BRACKET		1	
221	532403187	SPRING		1	
222	879212010	WASHER		1	
225	532403319	BELT GUIDE		1	
227	817490512	SCREW		1	
263	817000612	SCREW		1	
268	532182402	PROTECTOR		1	
325	585668502	BRACKET		1	
326	585670802	BRACKET		1	
336	587259601	BOLT		1	

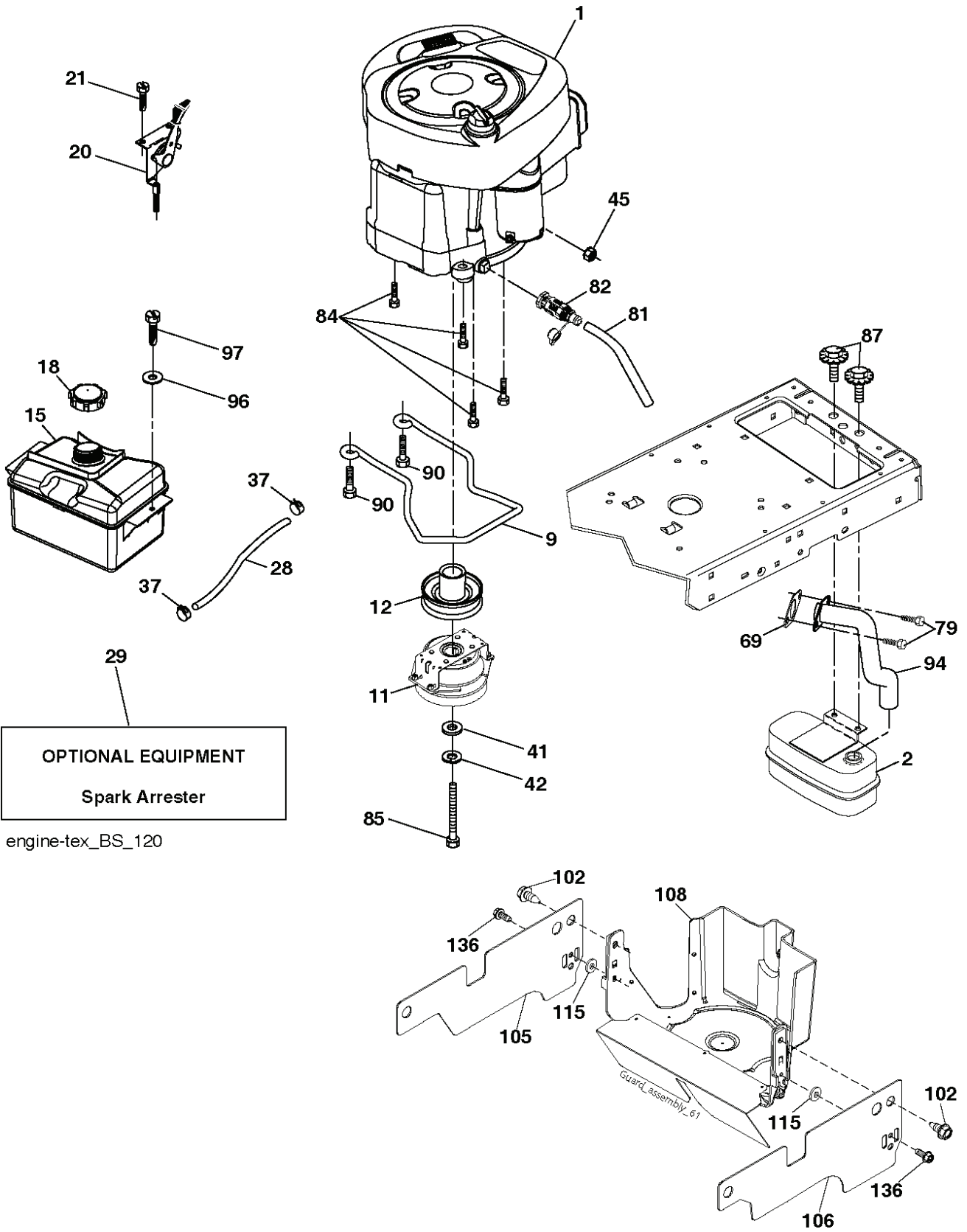


REF.	PART NO.	DESCRIPTION	REMARK	QTY.	KIT
1	586350601	DECAL		1	
2	581627301	DECAL		1	
3	581579701	DECAL		1	
4	587551701	DECAL		1	
5	581579601	DECAL		1	
6	587385201	DECAL		1	
7	586066201	DECAL		1	
8	587456401	DECAL		1	
11	581579201	DECAL		1	
12	581580003	DECAL		1	
14	584904601	DECAL		1	
15	581579801	DECAL		1	
--	581724801	DECAL		1	
--	581724601	DECAL		1	
--	532439681	PLATE		1	
--	532439682	PAD		1	

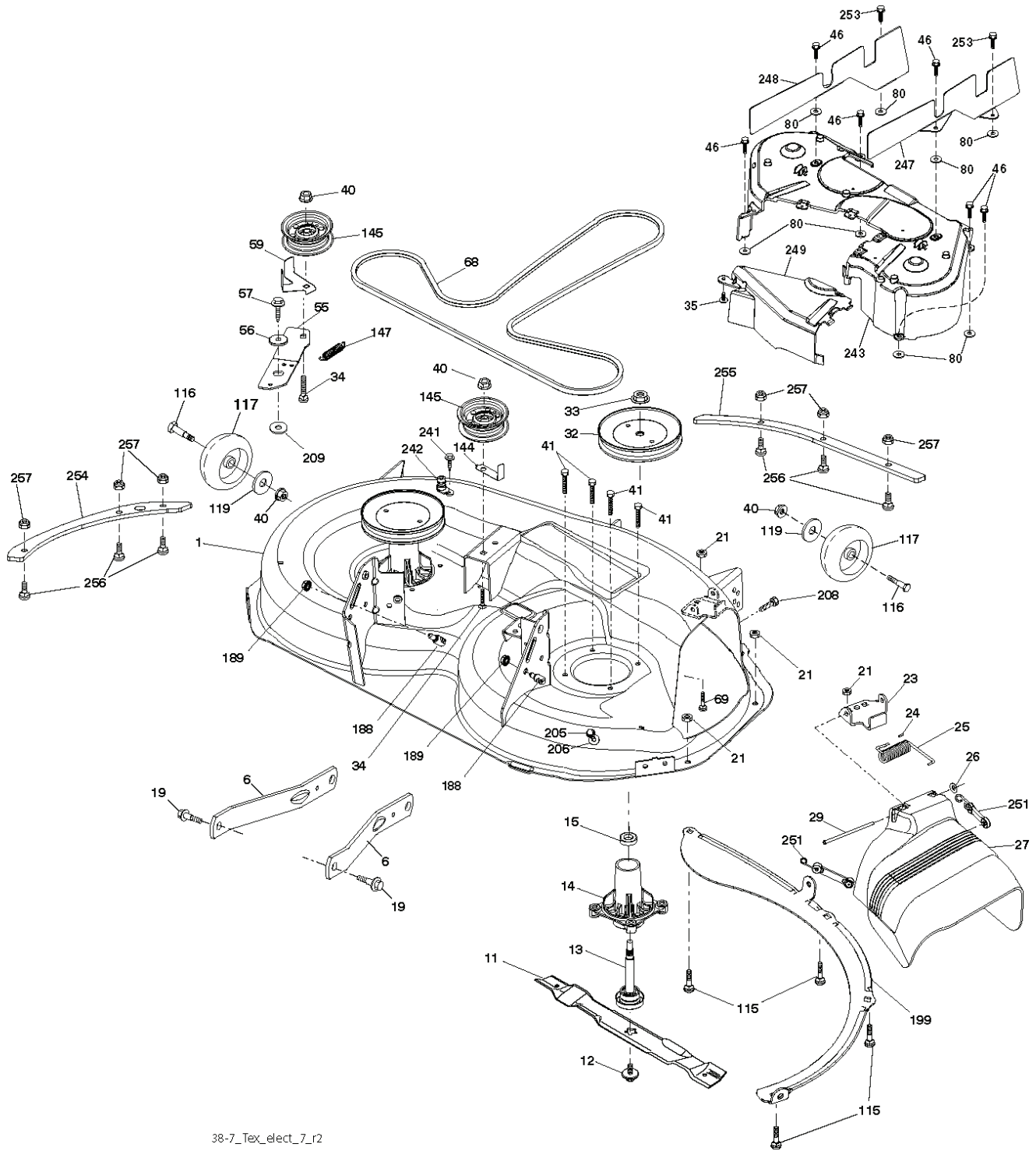
TR04S



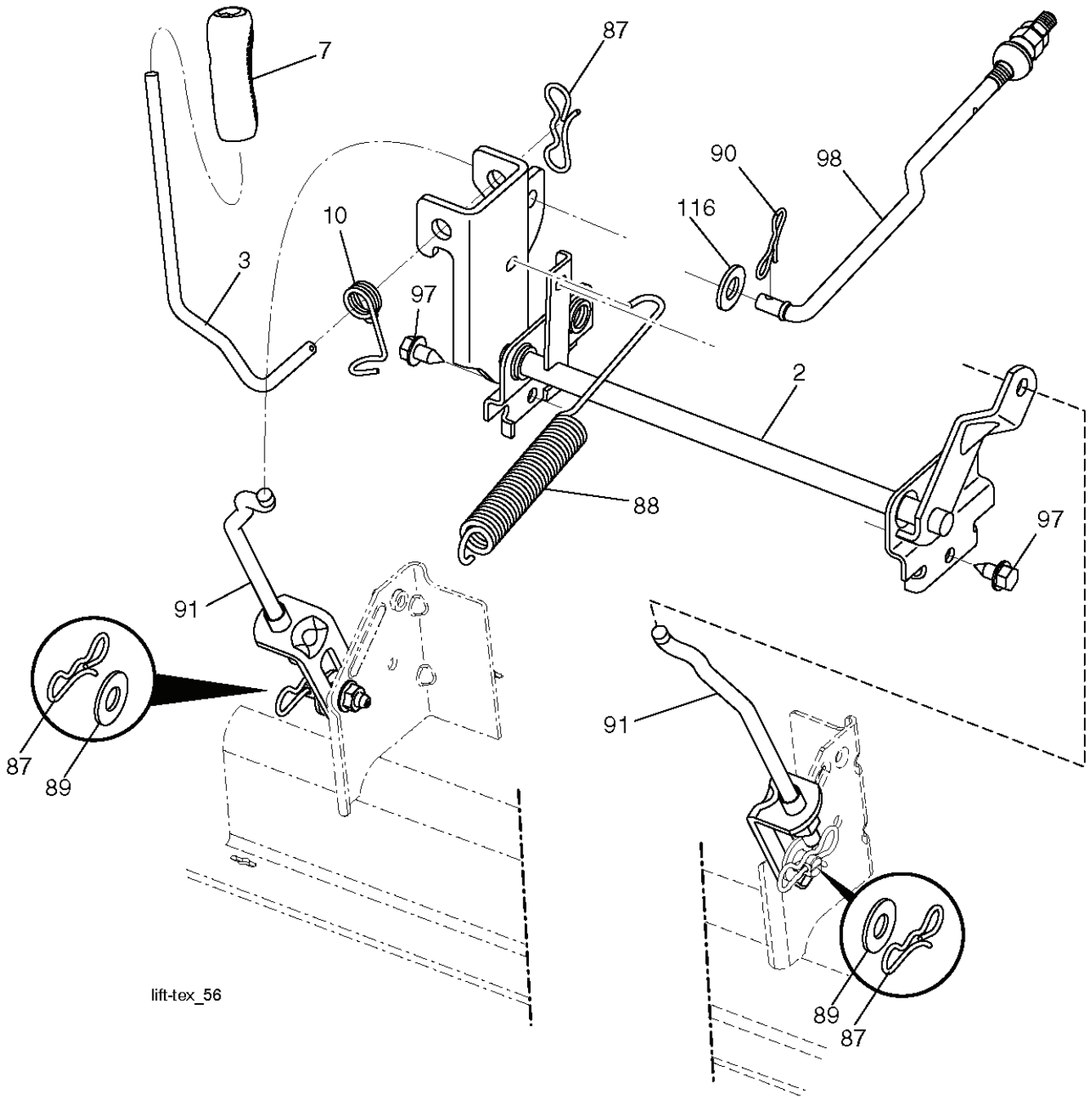
REF.	PART NO.	DESCRIPTION	REMARK	QTY.	KIT
1	532163465	BATTERY		1	
2	874760412	BOLT		1	
8	532193228	BOX		1	
16	532176138	MICRO SWITCH		1	
21	532400252	HARNESS		1	
22	532004152	BULB		1	
25	581498001	CABLE		1	
26	532175158	FUSE		1	
27	873510400	NUT		1	
28	532421686	CABLE		1	
29	532401545	SWITCH		1	
30	532193350	IGNITION MODULE		1	
33	532411935	KEY		1	
34	532110712	SWITCH		1	
40	585555301	HARNESS		1	
43	582042801	SOLENOID		1	
46	594919101	HOUR METER		1	
50	582107601	SWITCH		1	
55	817060512	SCREW		1	
71	501133701	HARNESS		1	
79	532175242	HOLDER		1	
90	532435395	TERMINAL COVER		1	
99	817670412	SCREW		1	
102	532404454	CABLE		1	
105	532407568	SWITCH		1	
142	583857801	HARNESS		1	
143	532448059	HARNESS		1	
106	532174814	NUT		1	



REF.	PART NO.	DESCRIPTION	REMARK	QTY.	KIT
1	000000000	W/O DESCRIPTION	Engine B&S Model No. 31S777-0003-B5 (597359801)	1	
2	532188655	MUFFLER		1	
9	501832602	KEEPER		1	
11	587241501	CLUTCH		1	
12	532405097	PULLEY		1	
15	532407545	FUEL TANK		1	
18	532430220	FUEL CAP		1	
20	587242601	THROTTLE		1	
21	532416358	SCREW		1	
28	532137040	HOSE		1	
29	532137180	SPARK ARRESTER KIT		1	
37	532123487	HOSE CLAMP		1	
41	532126197	WASHER		1	
42	539990247	WASHER		1	
45	873510400	NUT		1	
69	532165291	GASKET		1	
79	532192334	SCREW		1	
81	532148456	TUBE		1	
82	532428287	PLUG		1	
85	581332804	BOLT		1	
84	817060620	SCREW		1	
87	532171877	BOLT		1	
90	817000616	SCREW		1	
94	581880901	TUBE		1	
96	819091416	WASHER		1	
97	817670412	SCREW		1	
102	817000512	SCREW		1	
105	501267202	SAFETY GUARD		1	
106	501268202	SAFETY GUARD		1	
108	587179509	COVER		1	
115	532431761	RETAINER		1	
136	532421756	SCREW		1	

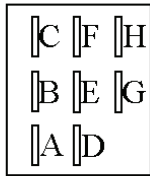
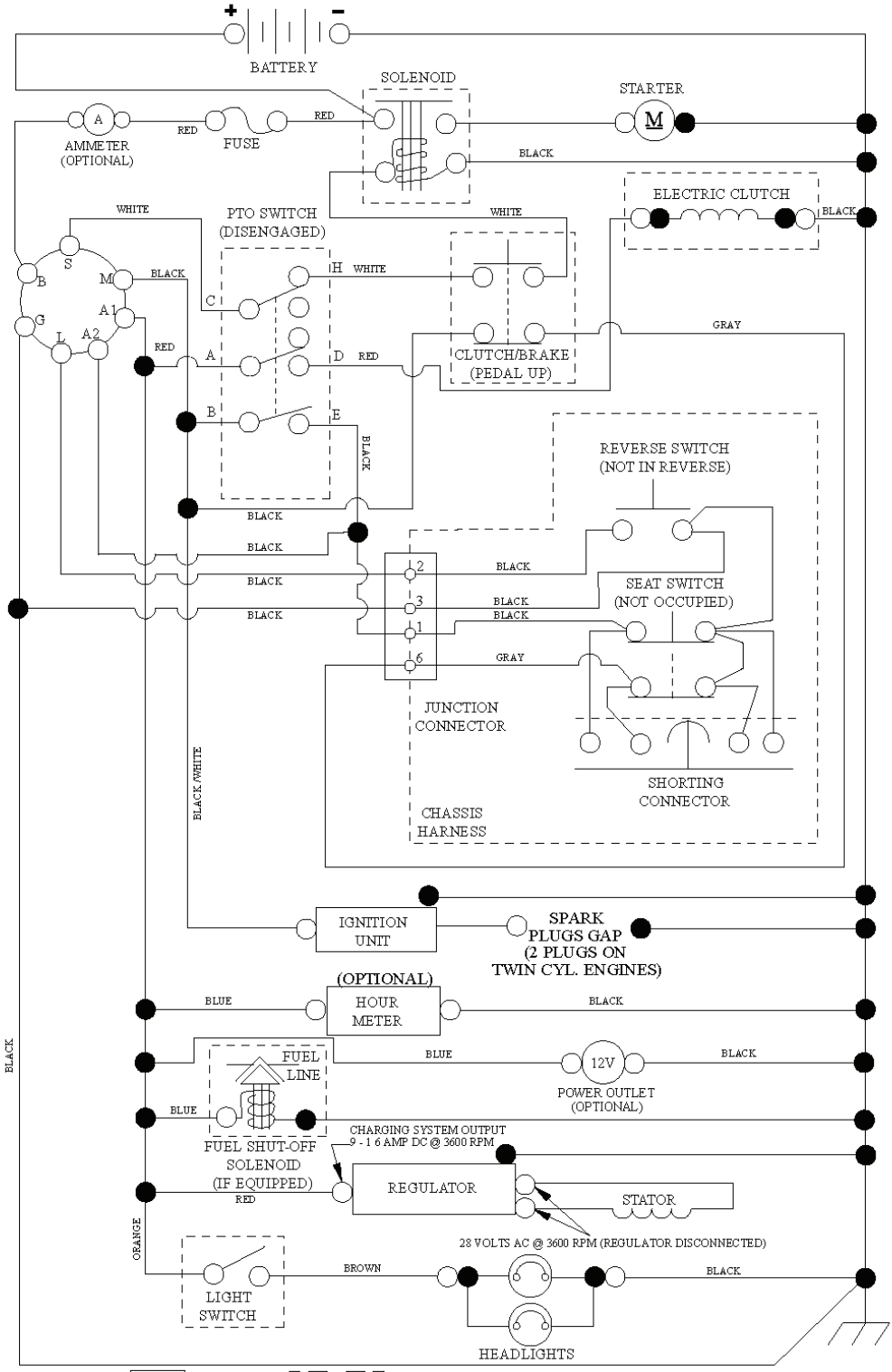


REF.	PART NO.	DESCRIPTION	REMARK	QTY.	KIT
1	532410715	KIT		1	
6	532195186	ARM		1	
11	581116301	BLADE		1	
12	584309301	SCREW		1	
13	587256501	SHAFT		1	
14	532187281	BEARING HOUSING		1	
15	585323901	BEARING		1	
19	532196539	BOLT		1	
21	873680500	NUT		1	
23	532192557	HINGE		1	
24	532105304	HUB CAP		1	
25	532197026	TORSION SPRING		1	
26	532110452	NUT		1	
27	532401618	DEFLECTOR		1	
29	532131491	SHAFT		1	
32	532153532	PULLEY		1	
33	532400234	NUT		1	
34	872110612	BOLT		1	
35	532133835	XMAS TREE FASTNER		1	
40	873900600	NUT		1	
41	584953901	BOLT		1	
46	532137729	SCREW		1	
55	532197249	ARM		1	
56	532199092	SPACER		1	
57	817000616	SCREW		1	
59	532141043	GUARD		1	
68	532447559	BELT		1	
69	872140505	BOLT		1	
80	532423062	NUT		1	
115	872110505	BOLT		1	
116	532004898	BOLT		1	
117	589527401	WHEEL		1	
119	819121414	WASHER		1	
144	532193414	BELT GUIDE		1	
145	532193197	PULLEY		1	
147	532197251	SPRING		1	
188	532195161	STUD		1	
189	873900500	NUT		1	
199	532400095	BAFFLE		1	
205	817490416	SCREW		1	
206	819091416	WASHER		1	
208	817670608	SCREW		1	
209	819133210	WASHER		1	
241	532152927	SCREW		1	
242	532415598	HOSE COUPLING		1	
243	532406510	COVER		1	
247	589009402	GUARD		1	
248	589009502	GUARD		1	
249	532406514	COVER		1	
251	532436087	ELASTIC STRAP		1	
253	532427350	SCREW		1	
254	587055902	REINFORCEMENT		1	
255	587055402	REINFORCEMENT		1	
256	578296404	SCREW		1	
257	873900400	NUT		1	
--	587253301	MANDREL	MANDREL ASSEMBLY (Includes (Key # 14). Shaft Assembly (Key # 13) and Bearing Only (Key # 15) - Pulley/Nut/Washer and Blade Bolt/Washers Not Included)	1	
--	588622401	SERVICE TOOLS		1	

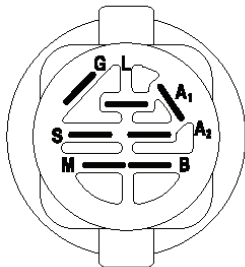


lift-tex_56

REF.	PART NO.	DESCRIPTION	REMARK	QTY.	KIT
2	532422027	SHAFT		1	
3	532195231	LEVER		1	
7	580962301	GRIP		1	
10	532196314	SPRING		1	
87	532194209	SPRING		1	
88	532410710	SPRING		1	
89	819191912	WASHER		1	
90	532194208	PIN		1	
91	532195181	LINK		1	
97	817000612	SCREW		1	
98	532195270	LINK		1	
116	594976501	WASHER		1	

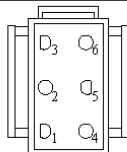


PTO SWITCH (MATING SIDE)

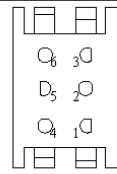


IGNITION SWITCH

POSITION	CIRCUIT	"MAKE"
OFF	M+G+A1	
RUN/OVERRIDE	B+A1	
RUN	B+A1	L+A2
START	B+S+A1	



CHASSIS HARNESS CONNECTOR (MATING SIDE)

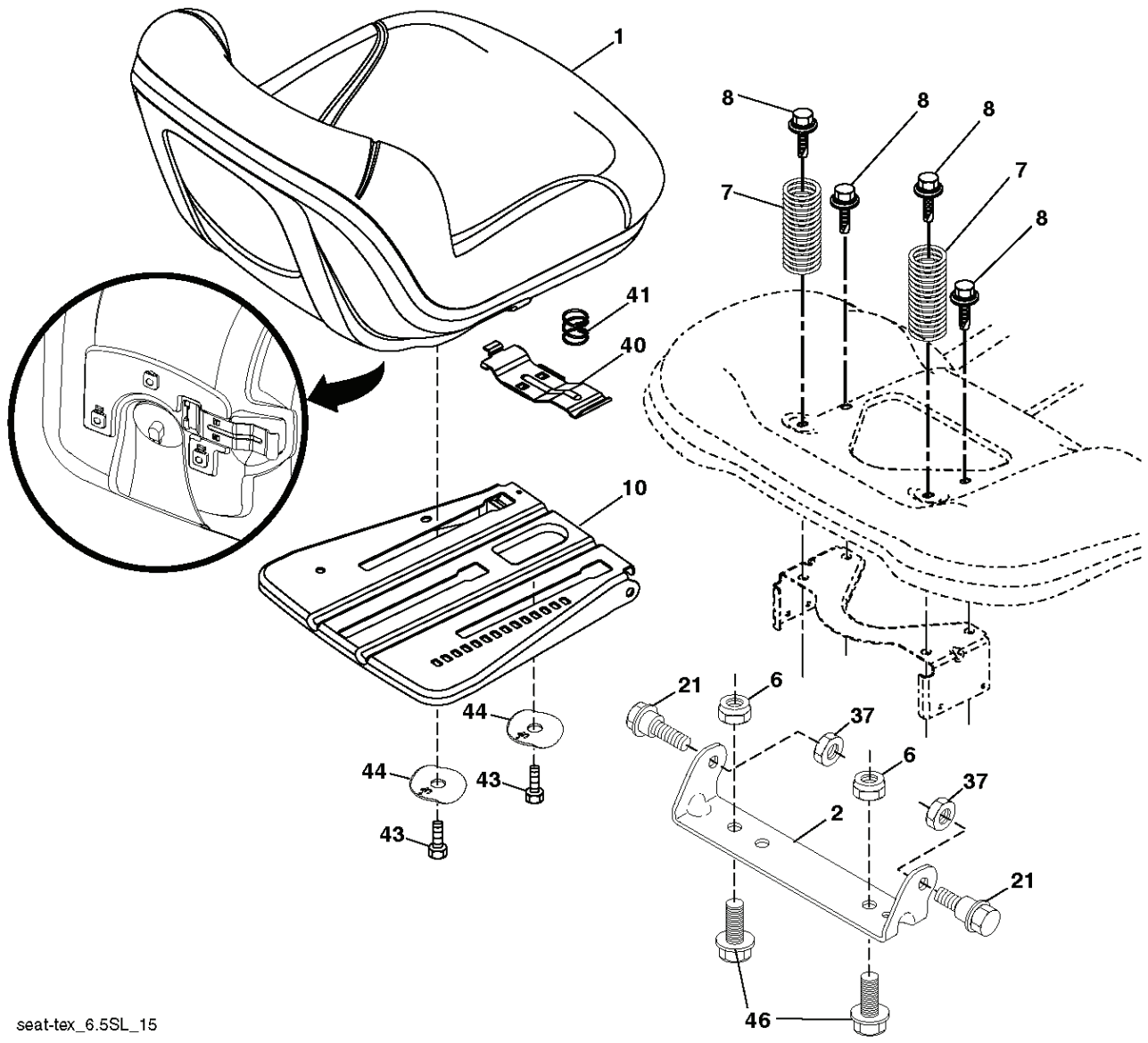


DASH HARNESS CONNECTOR

WIRING INSULATED CLIPS
NOTE: IF WIRING INSULATED CLIPS WERE REMOVED FOR SERVICING OF UNIT, THEY SHOULD BE RE-INSTALLED TO PROPERLY SECURE YOUR WIRING.

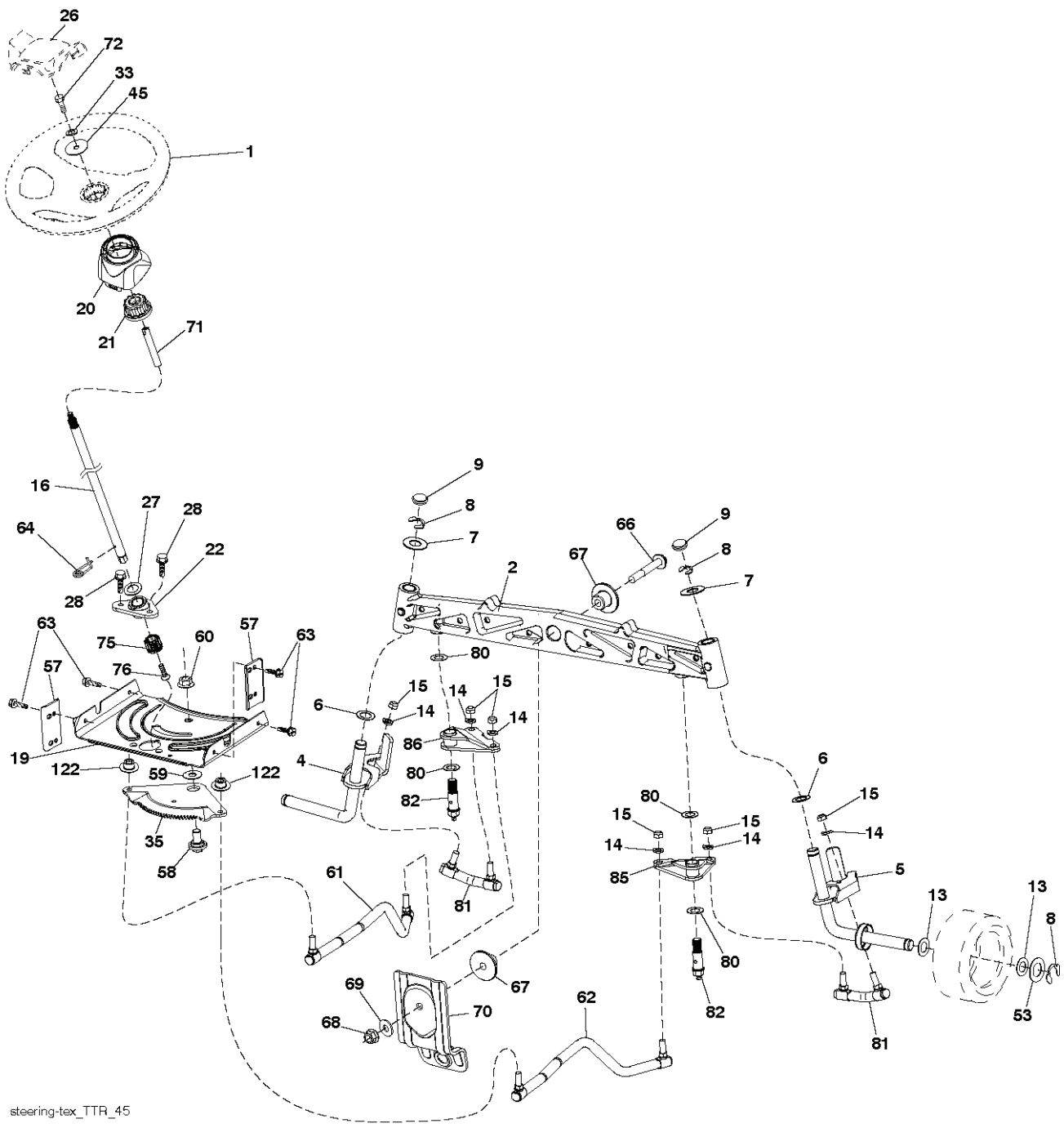
● NON-REMOVABLE CONNECTIONS

○ REMOVABLE CONNECTIONS



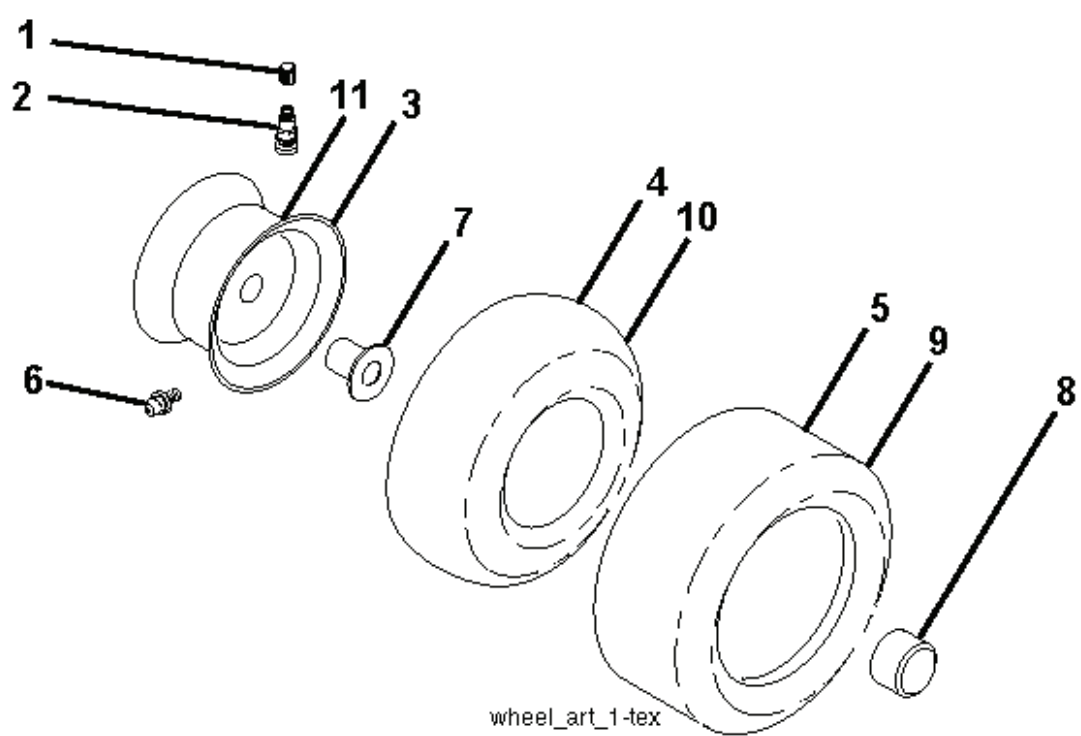
seat-tex_6.5SL_15

REF.	PART NO.	DESCRIPTION	REMARK	QTY.	KIT
1	532439819	SEAT		1	
2	532180166	BRACKET		1	
6	873800600	NUT		1	
7	589483501	SPRING		1	
8	532171877	BOLT		1	
10	596657402	PLATE		1	
21	587907801	BOLT		1	
37	873800500	LOCK NUT		1	
40	532197661	HANDLE		1	
41	532198200	SPRING		1	
43	874760612	BOLT		1	
44	501051801	WASHER		1	
46	588090401	BOLT		1	



steering-tex_TTR_45

REF.	PART NO.	DESCRIPTION	REMARK	QTY.	KIT
1	532424543	STEERING WHEEL		1	
2	532436870	WHEEL AXLE		1	
4	532436873	SPINDLE		1	
5	532436874	SPINDLE		1	
6	532006266	WASHER		1	
7	532121748	WASHER		1	
8	812000029	RETAINER RING		1	
9	532121232	HUB CAP		1	
13	532121749	WASHER		1	
14	539990118	WASHER		1	
15	873540600	NUT		1	
16	585869202	SHAFT		1	
19	532194729	PLATE		1	
20	532441425	COVER		1	
21	532437747	ADAPTER WHEEL		1	
22	585029901	BEARING		1	
26	532439743	HUB CAP		1	
27	819211616	WASHER		1	
28	817000612	SCREW		1	
33	539990187	WASHER		1	
35	532440770	GEAR		1	
45	819113812	WASHER		1	
53	532188967	WASHER		1	
57	532407465	BRACKET		1	
58	532194747	BOLT		1	
59	532194748	WASHER		1	
60	873971000	NUT		1	
61	581926202	LINK ASSY		1	
62	581926302	LINK ASSY		1	
63	817000512	SCREW		1	
64	532199849	SPRING RETAINER		1	
66	871020748	BOLT		1	
67	532194737	BUSHING		1	
68	873900700	NUT		1	
69	532199162	WASHER		1	
70	585338801	BRACKET		1	
71	532190752	SHAFT		1	
72	532428982	BOLT		1	
75	580683701	PINION		1	
76	580683601	SCREW		1	
80	532001370	WASHER		1	
81	532436887	LINK		1	
82	532442147	BOLT		1	
85	532441873	PIVOT		1	
86	532441872	PIVOT		1	
122	532444962	CAP		1	



wheel_art_1-tex

REF.	PART NO.	DESCRIPTION	REMARK	QTY.	KIT
1	586350601	DECAL		1	
2	532065139	NIPPLE		1	
3	532138336	RIM	Front 6"	1	
4	532059904	HOSE	Front (Service Item Only)	1	
5	532106222	TIRE	FRONT (15 X 6-6)	1	
6	532000278	NIPPLE	(Front Wheel Only)	1	
7	532009040	BEARING	(Front Wheel Only)	1	
8	532175039	HUB CAP		1	
9	532138468	TIRE	REAR (20 X 8-8)	1	
10	532007152	TUBE	Rear (Service Item Only)	1	
11	532138337	RIM SPROCKET	Rear 8"	1	
--	532144334	SEALING FOAM		1	
	PART NO.		REMARK		KIT