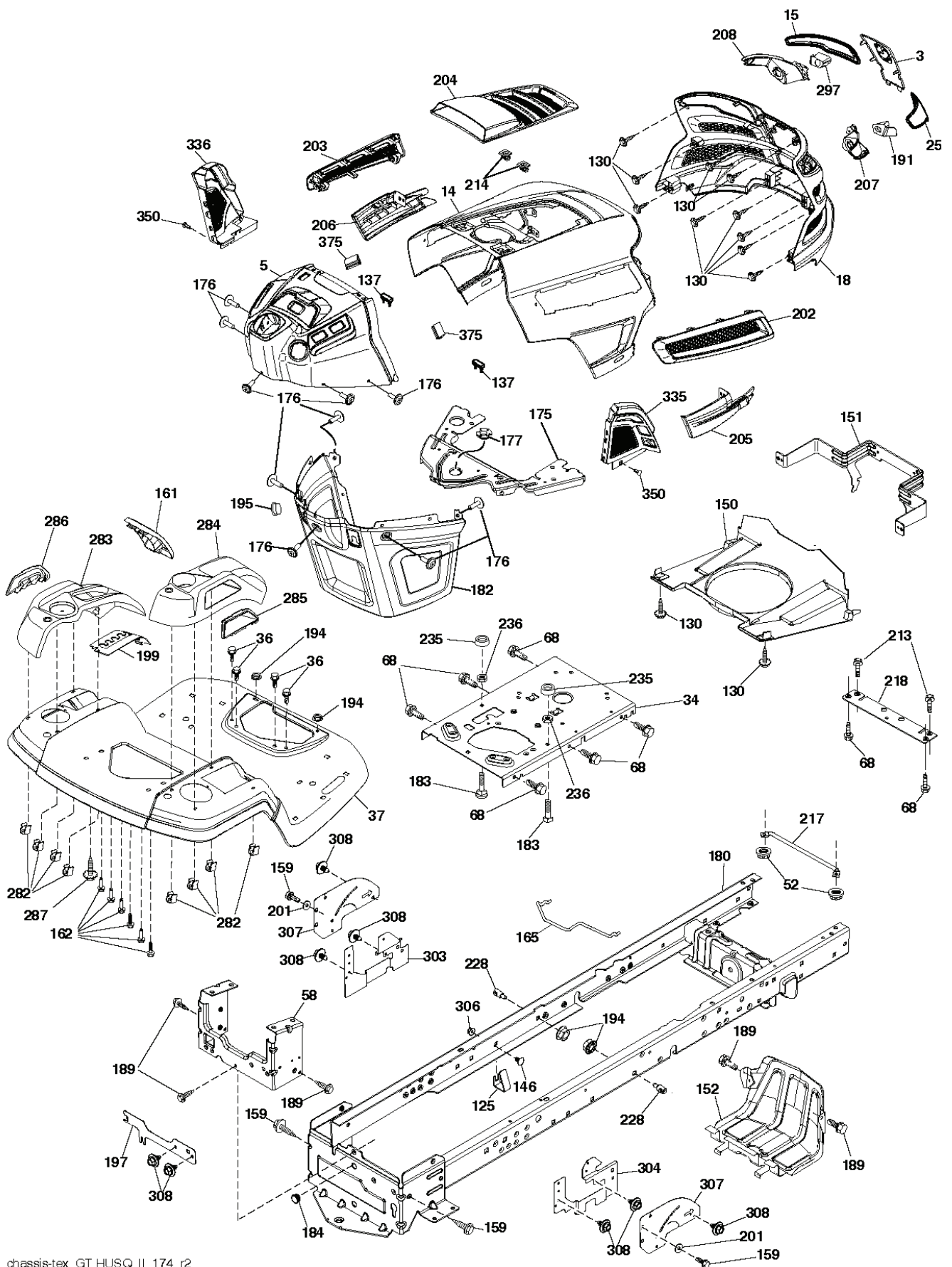


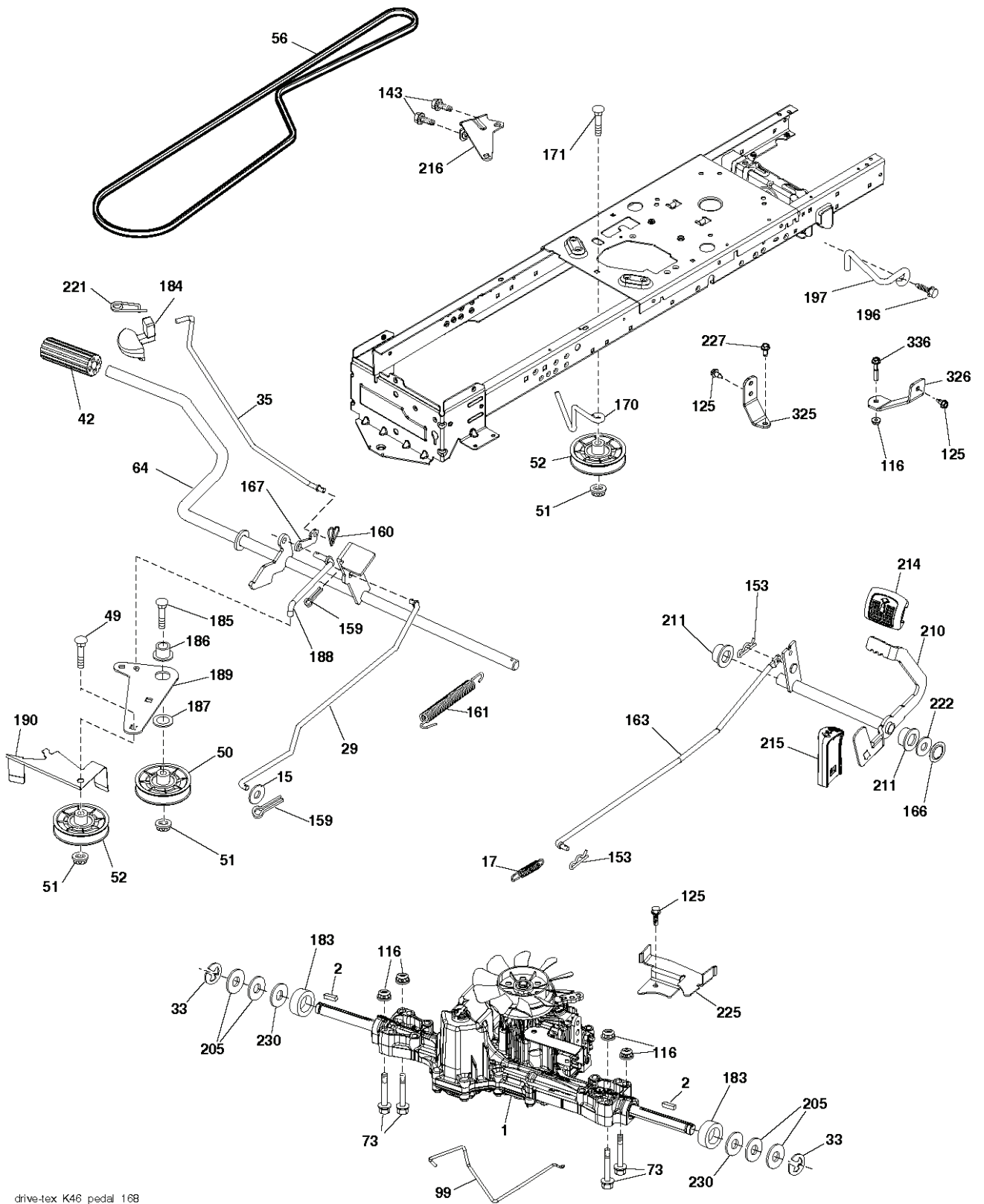
TS 243, 96041037901, 2015-07

---

# **SPARE PARTS LIST**

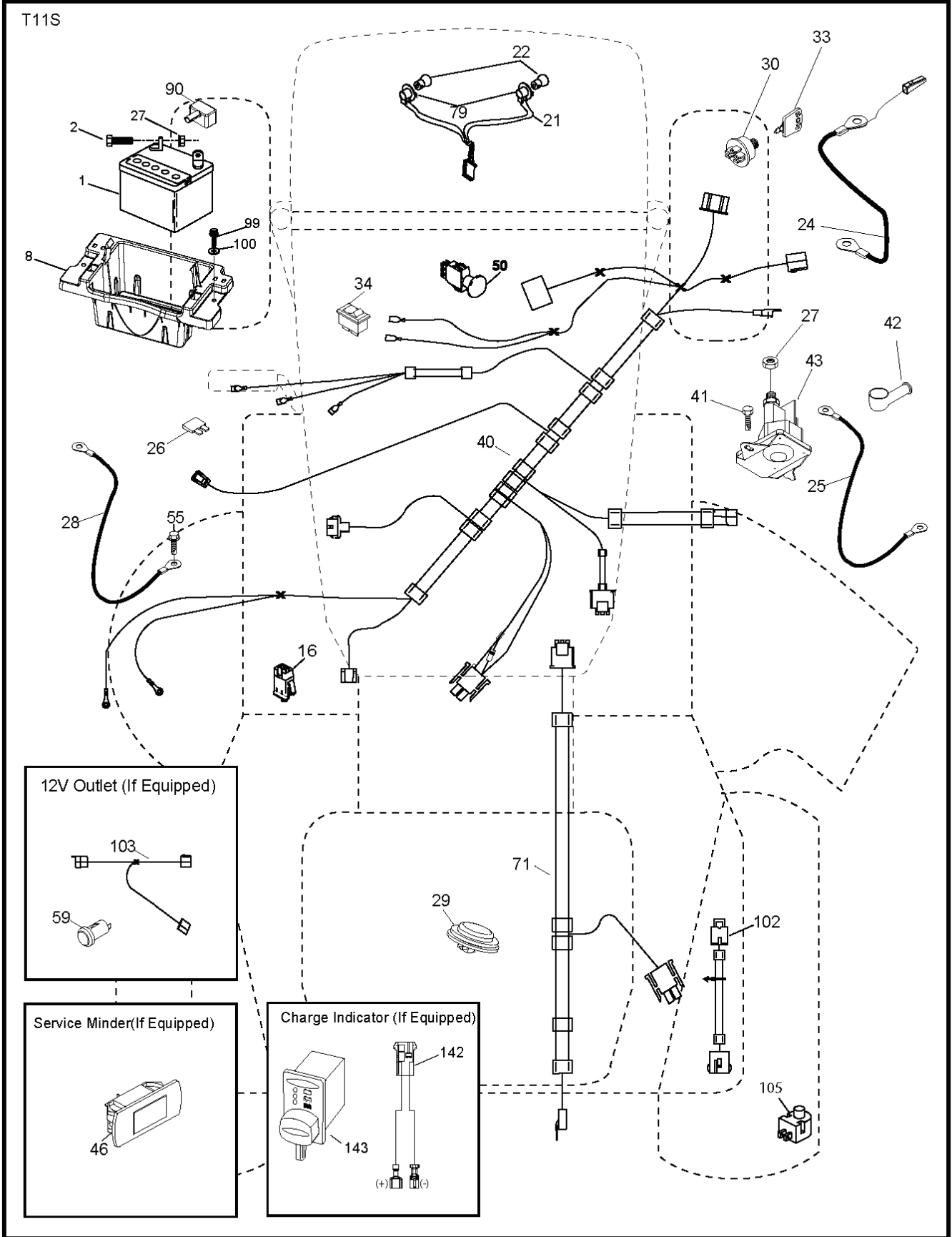


REF.	PART NO.	DESCRIPTION	REMARK	QTY.	KIT
3	532444481	LOGOTYPE		1	
5	581674204	DASH		1	
14	532441177	HOOD		1	
15	532439733	LENS		1	
18	532440653	GRILLE		1	
25	532443385	LENS		1	
34	580910801	CHASSIS		1	
36	817060512	SCREW		1	
37	587574801	FENDER		1	
52	873680500	NUT		1	
58	532412280	PLATE		1	
68	817490508	SCREW		1	
125	581684801	CLIP		1	
130	532416358	SCREW		1	
137	532407590	DAMPING PIECE		1	
146	581857901	BOLT		1	
150	532439774	AIR DUCT		1	
151	532436670	BRACKET		1	
152	532439870	SHIELD		1	
159	817000612	SCREW		1	
161	532440029	WINDOW		1	
162	532142432	SCREW		1	
165	532196826	BRACKET		1	
175	532196304	SUPPORT		1	
176	532400776	SCREW		1	
177	532195227	BUSHING		1	
180	532415064	FRAME		1	
182	586738602	DASH		1	
183	874520520	BOLT		1	
184	587554101	PLUG		1	
189	817000512	SCREW		1	
191	532437455	INSERT		1	
194	873900500	NUT		1	
195	532404137	TROU*RPL*PAR 532401556428		1	
197	589204602	SHIELD		1	
199	532413485	PLATE		1	
201	819132016	WASHER		1	
202	532439728	COVER		1	
203	532439727	COVER		1	
204	532435714	COVER		1	
205	532439730	SKIRT		1	
206	532439729	SKIRT		1	
207	532439734	CUP		1	
208	532439735	CUP		1	
213	874760512	BOLT		1	
214	532199145	CLIP		1	
217	532409167	ROD		1	
218	532196395	PLATE		1	
228	532195161	STUD		1	
235	532406129	SPACER		1	
236	873930500	NUT		1	
282	532414110	CLIP		1	
283	532442039	DECK		1	
284	532439823	CONSOLE		1	
285	532416315	CONSOLE		1	
286	532416317	CONSOLE		1	
287	817600406	SCREW		1	
297	532437456	INSERT		1	
303	587493402	SHIELD		1	
304	587865102	SHIELD		1	
306	873900600	NUT		1	
307	587494601	SHIELD		1	
308	532171877	BOLT		1	
335	532448204	COVER		1	
336	532445309	COVER		1	
350	532445143	CLIP		1	
375	586908201	BUMPER		1	
--	532400944	FRONT BUMPER	*SUBS/2*	1	



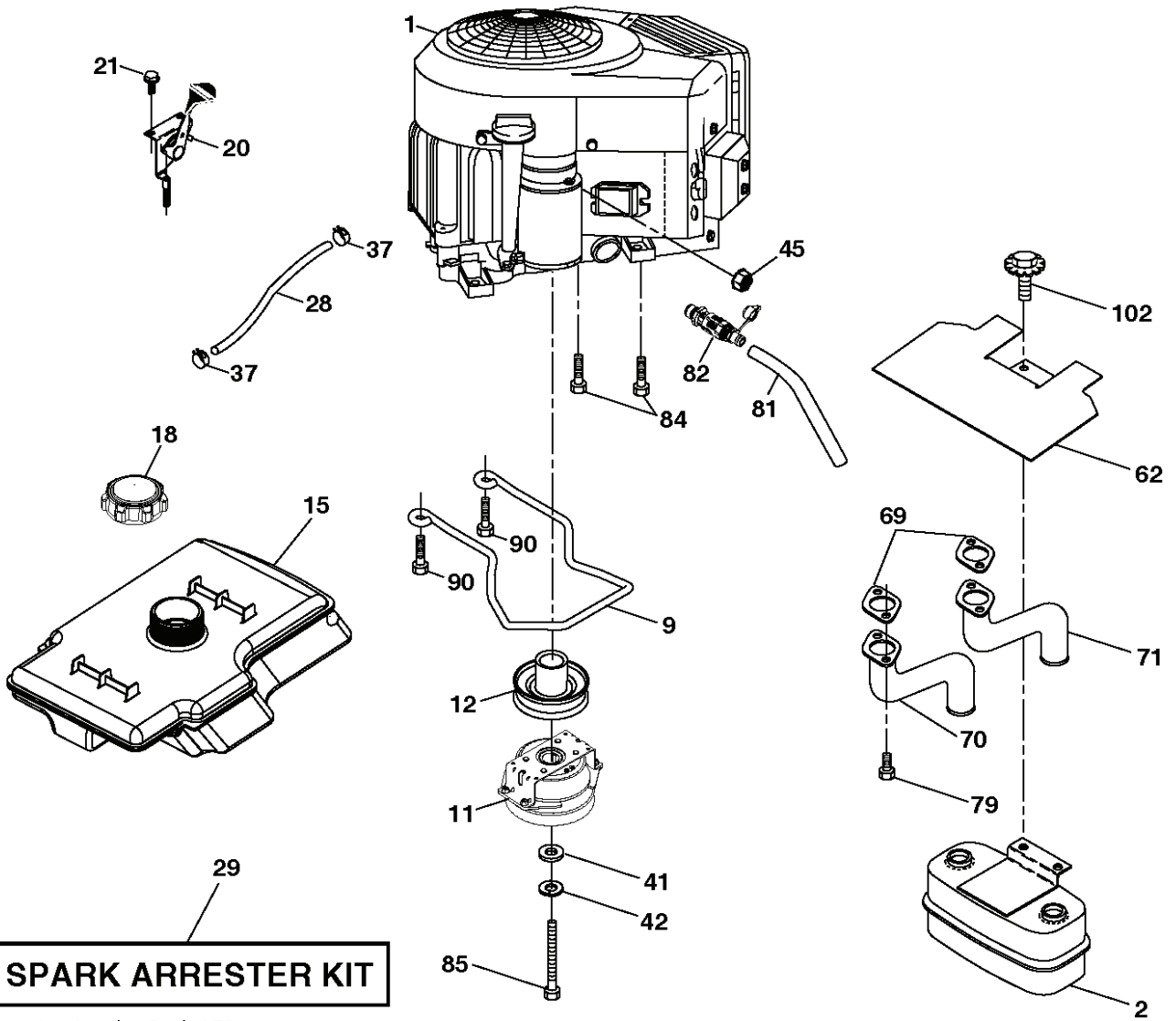
REF.	PART NO.	DESCRIPTION	REMARK	QTY.	KIT
1	000000000	W/O DESCRIPTION	TRANSAXLE TUFFTORQ K46 BT (426120)	1	
2	532123583	KEY		1	
15	819131316	WASHER		1	
17	532413678	SRPING.BRAKE.K46.GREEN*SUBS/2*		1	
29	532403806	ROD		1	
33	812000001	RETAINER RING		1	
35	583864501	ROD		1	
42	532124872	PEDAL RUBBER		1	
49	872110614	BOLT		1	
50	532194327	PULLEY		1	
51	873900600	NUT		1	
52	532194326	PULLEY		1	
56	532130969	BELT		1	
64	532197865	SHAFT		1	
73	874490540	BOLT		1	
99	532415742	ROD		1	
116	873900500	NUT		1	
125	817000512	SCREW		1	
143	817490508	SCREW		1	
153	532124788	RETAINER RING		1	
159	876020412	SPLIT PIN		1	
160	532169484	PIN		1	
161	532105709	SPRING		1	
163	532448275	CONTROL		1	
166	532429164	NUT		1	
167	532405257	LATCH		1	
170	532194322	KEEPER		1	
171	872110616	BOLT		1	
183	532137057	SPACER		1	
184	587653701	HANDLE		1	
185	872110622	BOLT		1	
186	532194321	SPACER		1	
187	819133210	WASHER		1	
188	582217001	LINK		1	
189	532194317	PLATE		1	
190	532194318	BELT GUIDE		1	
196	817000616	SCREW		1	
197	585658601	CLUTCH		1	
205	532121748	WASHER		1	
210	532197860	ARM		1	
211	532120183	BEARING		1	
214	532421263	PAD		1	
215	586606501	PEDAL		1	
216	532196131	BRACKET		1	
221	532403187	SPRING		1	
222	879212010	WASHER		1	
225	532403319	BELT GUIDE		1	
227	817490512	SCREW		1	
230	532188967	WASHER		1	
325	585668502	BRACKET		1	
326	585670802	BRACKET		1	
336	587259601	BOLT		1	

T11S



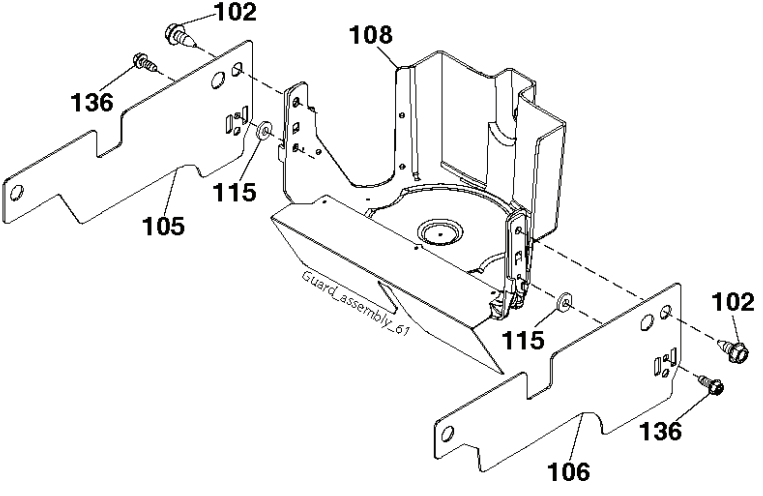
REF.	PART NO.	DESCRIPTION	REMARK	QTY.	KIT
1	532163465	BATTERY		1	
2	874760412	BOLT		1	
8	587205101	TRAY		1	
16	532176138	MICRO SWITCH		1	
21	532400252	HARNESS		1	
22	532004152	BULB		1	
24	585555601	CABLE		1	
25	585555501	CABLE		1	
26	532175158	FUSE		1	
27	873510400	NUT		1	
28	532416588	CABLE		1	
29	532401545	SWITCH		1	
30	532193350	IGNITION MODULE		1	
33	532411935	KEY		1	
34	532110712	SWITCH		1	
40	532194276	CABLE ASSY		1	
41	817720408	SCREW		1	
42	532131563	COVER		1	
43	532192507	SOLENOID		1	
46	586161801	HOUR METER		1	
50	532174651	SWITCH		1	
55	817060512	SCREW		1	
71	501132801	HARNESS		1	
79	532175242	HOLDER		1	
90	532435395	TERMINAL COVER		1	
99	817670412	SCREW		1	
100	819091416	WASHER		1	
102	532407568	SWITCH		1	
105	532404454	CABLE		1	
142	583857801	HARNESS		1	
143	532448059	HARNESS		1	



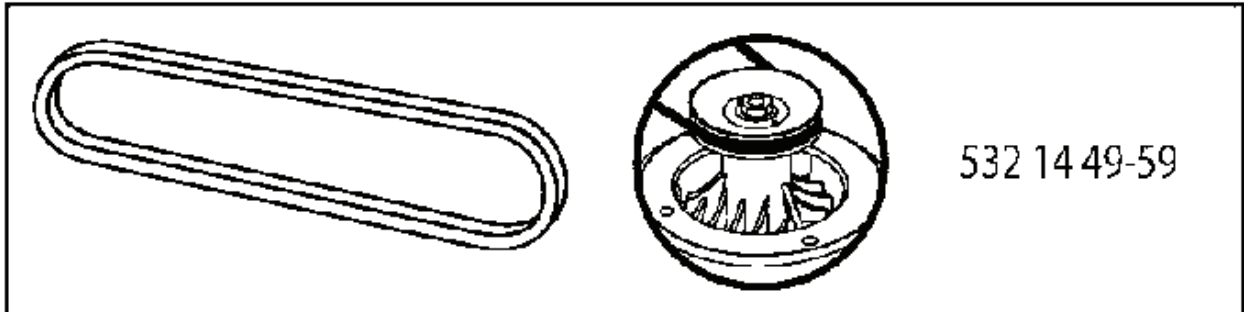
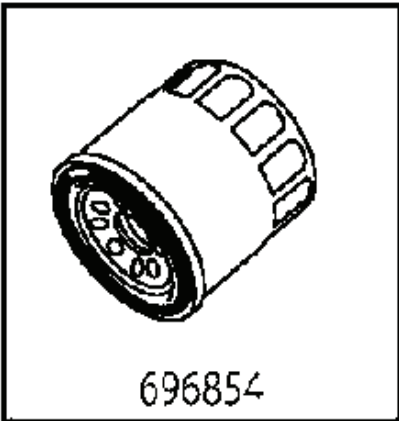
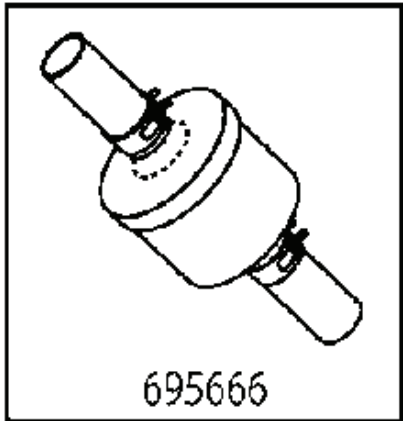
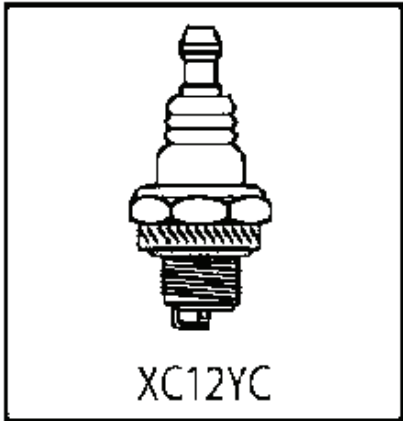
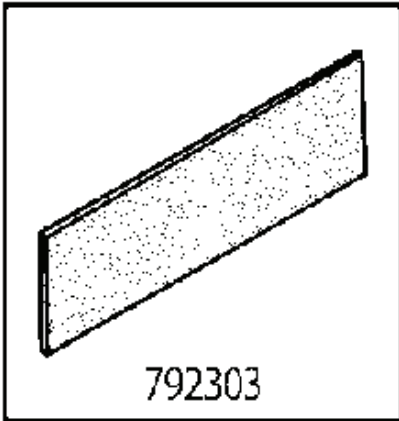
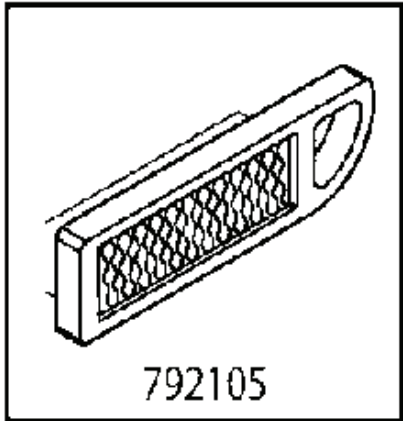


**SPARK ARRESTER KIT**

engine-tex\_bs-2cyl\_158



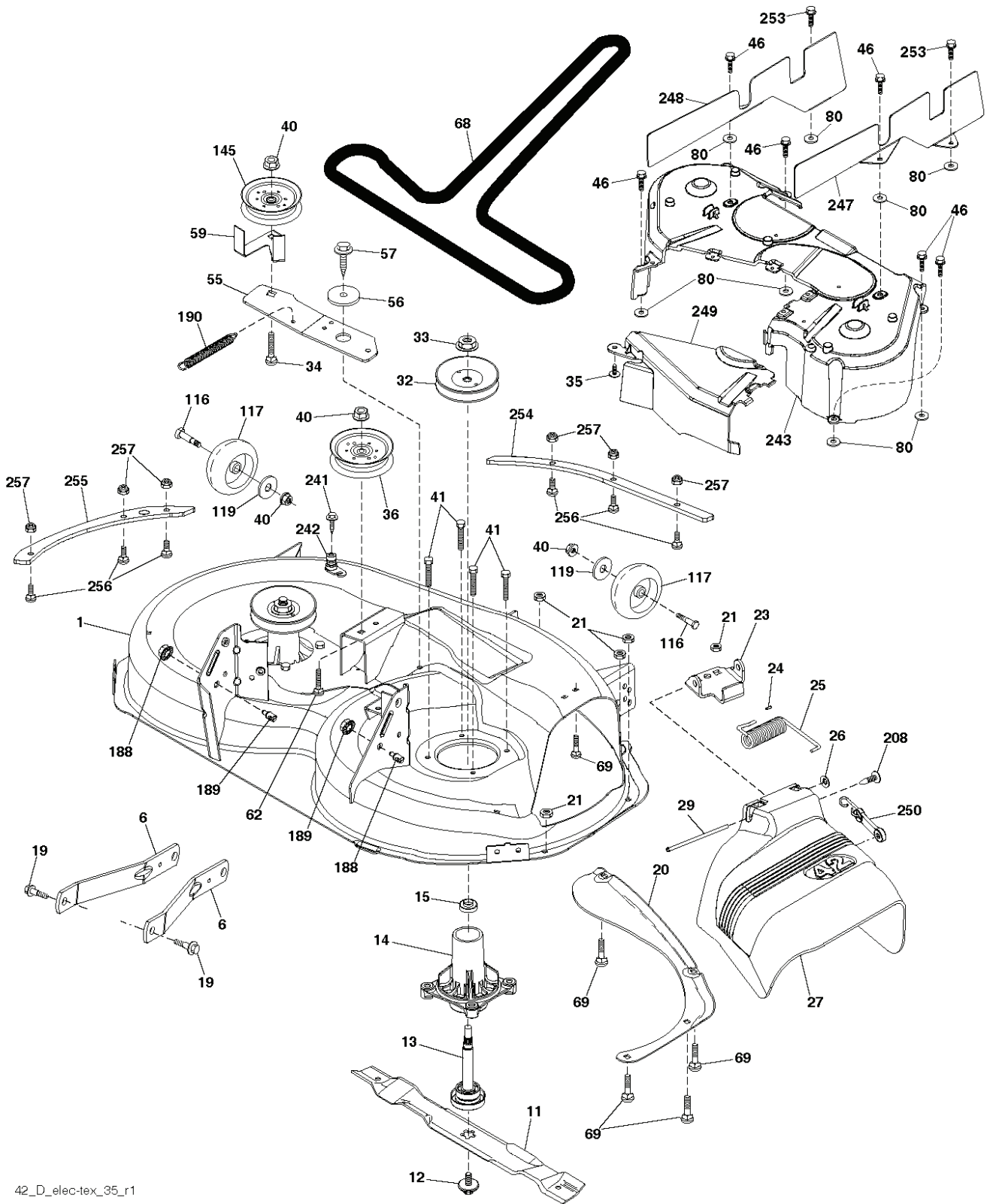
REF.	PART NO.	DESCRIPTION	REMARK	QTY.	KIT
1	000000000	W/O DESCRIPTION	ENGINE B&S MODEL NO. 40S777-0003-B1 (587525901)	1	
2	532445962	MUFFLER		1	
9	501832601	KEEPER		1	
11	587241501	CLUTCH		1	
12	532405097	PULLEY		1	
15	532418179	FUEL TANK		1	
18	584248701	CAP		1	
20	587242501	THROTTLE		1	
21	532416358	SCREW		1	
28	532142158	FULE LINE		1	
29	532137180	SPARK ARRESTER KIT		1	
37	532123487	HOSE CLAMP		1	
41	532126197	WASHER		1	
42	810040700	WASHER		1	
45	873510400	NUT		1	
62	532434017	SHIELD		1	
69	532165391	GASKET		1	
70	581881101	TUBE		1	
71	581881001	TUBE		1	
79	532183906	SCREW		1	
81	532148456	TUBE		1	
82	532428287	PLUG		1	
84	817060620	SCREW		1	
85	581332804	BOLT		1	
90	817000616	SCREW		1	
102	817000512	SCREW		1	
105	501267202	SAFETY GUARD		1	
106	501268202	SAFETY GUARD		1	
108	587179501	COVER		1	
115	532431761	RETAINER		1	
136	532421756	SCREW		1	



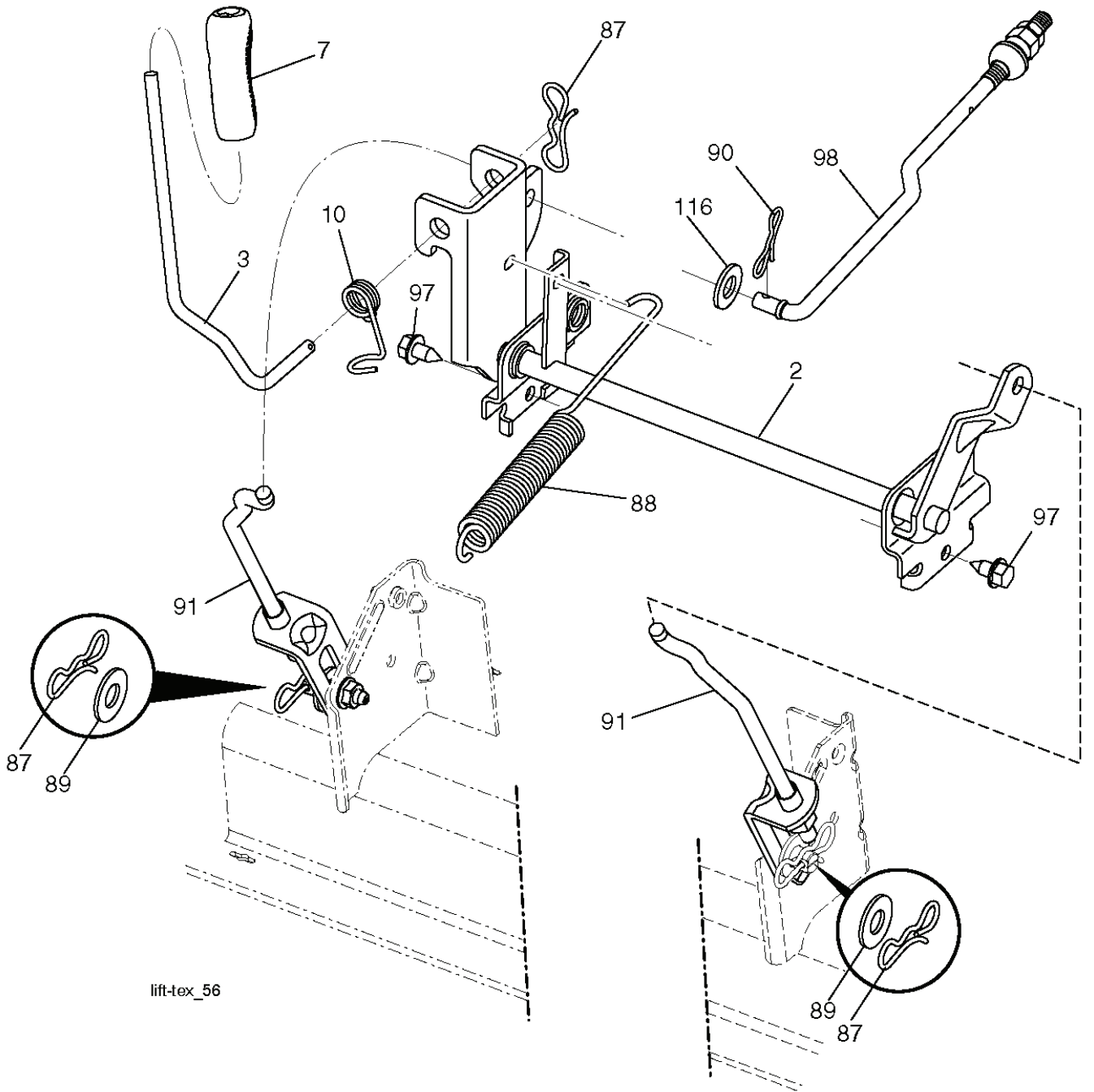
587617701

---

REF.	PART NO.	DESCRIPTION	REMARK	QTY.	KIT
792105	TBD	TBD		1	
792303	TBD	TBD		1	
XC12YC	531029975	SPARK PLUG		1	
695666	582288341	FUEL FILTER		1	
696854	585730401	OIL FILTER		1	
532130969	532130969	BELT		1	
532144959	532144959	BELT		1	
532138971	532138971	BLADE		1	



REF.	PART NO.	DESCRIPTION	REMARK	QTY.	KIT
1	532439817	CUTTING DECK		1	
6	532195186	ARM		1	
11	532138971	BLADE		1	
12	584309301	SCREW		1	
13	587256501	SHAFT		1	
14	580796101	MANDREL		1	
15	585323901	BEARING		1	
19	532196539	BOLT		1	
20	532159770	RAIL		1	
21	873680500	NUT		1	
23	532192557	HINGE		1	
24	532105304	HUB CAP		1	
25	532197026	TORSION SPRING		1	
26	532110452	NUT		1	
27	532411485	NONAME		1	
29	532131491	SHAFT		1	
32	532153535	PULLEY		1	
33	532400234	NUT		1	
34	872110612	BOLT		1	
35	532133835	XMAS TREE FASTNER		1	
36	532197379	PULLEY		1	
40	873900600	NUT		1	
41	584953901	BOLT		1	
46	532137729	SCREW		1	
55	532437110	ARM		1	
56	532199092	SPACER		1	
57	817000616	SCREW		1	
59	532141043	GUARD		1	
62	872110616	BOLT		1	
68	532144959	BELT		1	
69	872140505	BOLT		1	
80	532423062	NUT		1	
116	532124842	BOLT		1	
117	532188606	WHEEL		1	
119	819121414	WASHER		1	
145	532193197	PULLEY		1	
188	532195161	STUD		1	
189	873900500	NUT		1	
190	532197251	SPRING		1	
208	817670608	SCREW		1	
241	532152927	SCREW		1	
242	532415598	HOSE COUPLING		1	
243	532432394	COVER		1	
247	532430261	SHIELD		1	
248	532430260	SHIELD		1	
249	532406514	COVER		1	
250	532436087	ELASTIC STRAP		1	
253	532427350	SCREW		1	
254	585316805	REINFORCEMENT PLATE		1	
255	585317005	REINFORCEMENT PLATE		1	
256	539109800	BOLT		1	
257	873900400	NUT		1	
--	587253301	MANDREL		1	
--	583935003	CUTTING DECK		1	

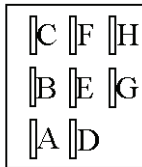
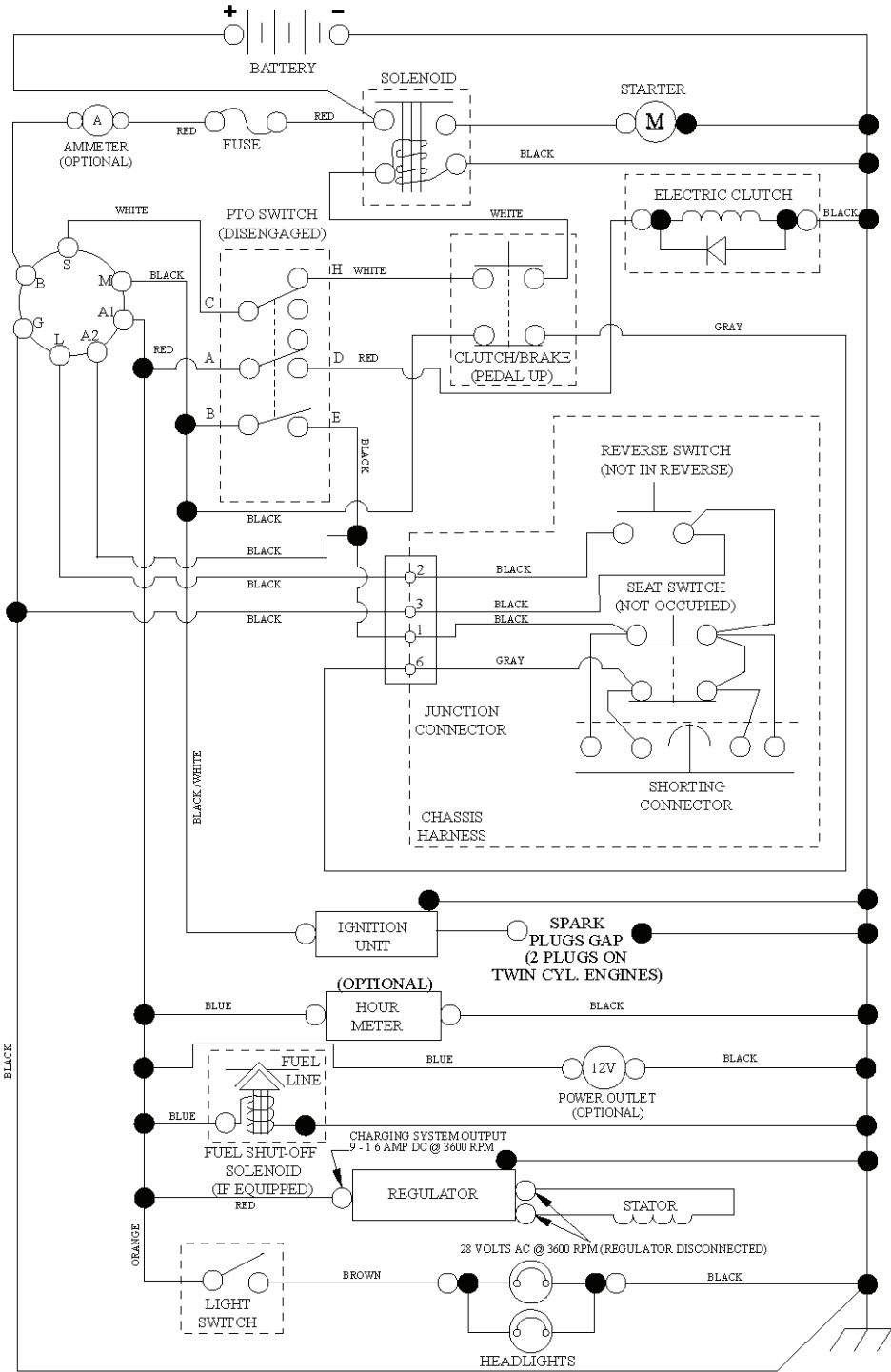


lift-tex\_56

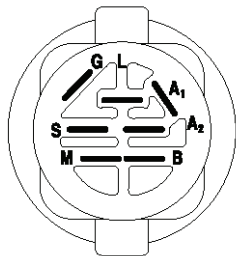
---

REF.	PART NO.	DESCRIPTION	REMARK	QTY.	KIT
2	532422027	SHAFT		1	
3	532195231	LEVER		1	
7	580962301	GRIP		1	
10	532196314	SPRING		1	
87	532194209	SPRING		1	
88	532410710	SPRING		1	
89	819191912	WASHER		1	
90	532194208	PIN		1	
91	532195181	LINK		1	
97	817000612	SCREW		1	
98	532195270	LINK		1	
116	819151516	WASHER		1	



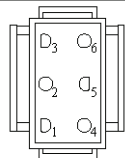


PTO SWITCH  
(MATING SIDE)

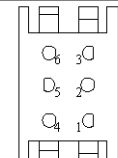


IGNITION SWITCH

POSITION	CIRCUIT "MAKE"
OFF	M+G+A1
RUN/OVERRIDE	B+A1
RUN	B+A1 L+A2
START	B+S+A1



CHASSIS HARNESS  
CONNECTOR  
(MATING SIDE)



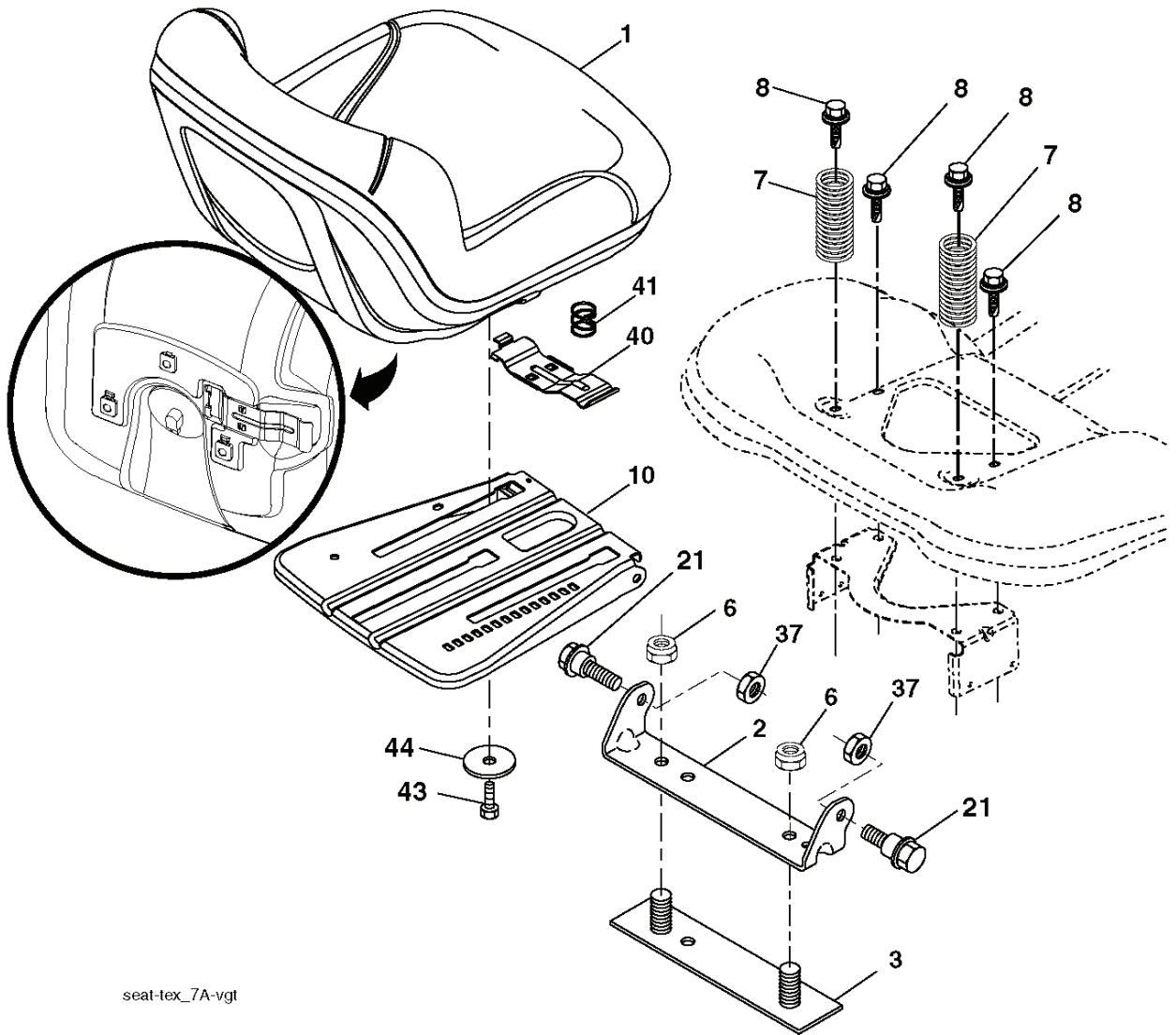
DASH HARNESS  
CONNECTOR

WIRING INSULATED CLIPS  
NOTE: IF WIRING INSULATED  
CLIPS WERE REMOVED FOR  
SERVICING OF UNIT, THEY  
SHOULD BE RE-INSTALLED TO  
PROPERLY SECURE YOUR  
WIRING.

●  
NON-REMOVABLE  
CONNECTIONS

○  
REMOVABLE  
CONNECTIONS

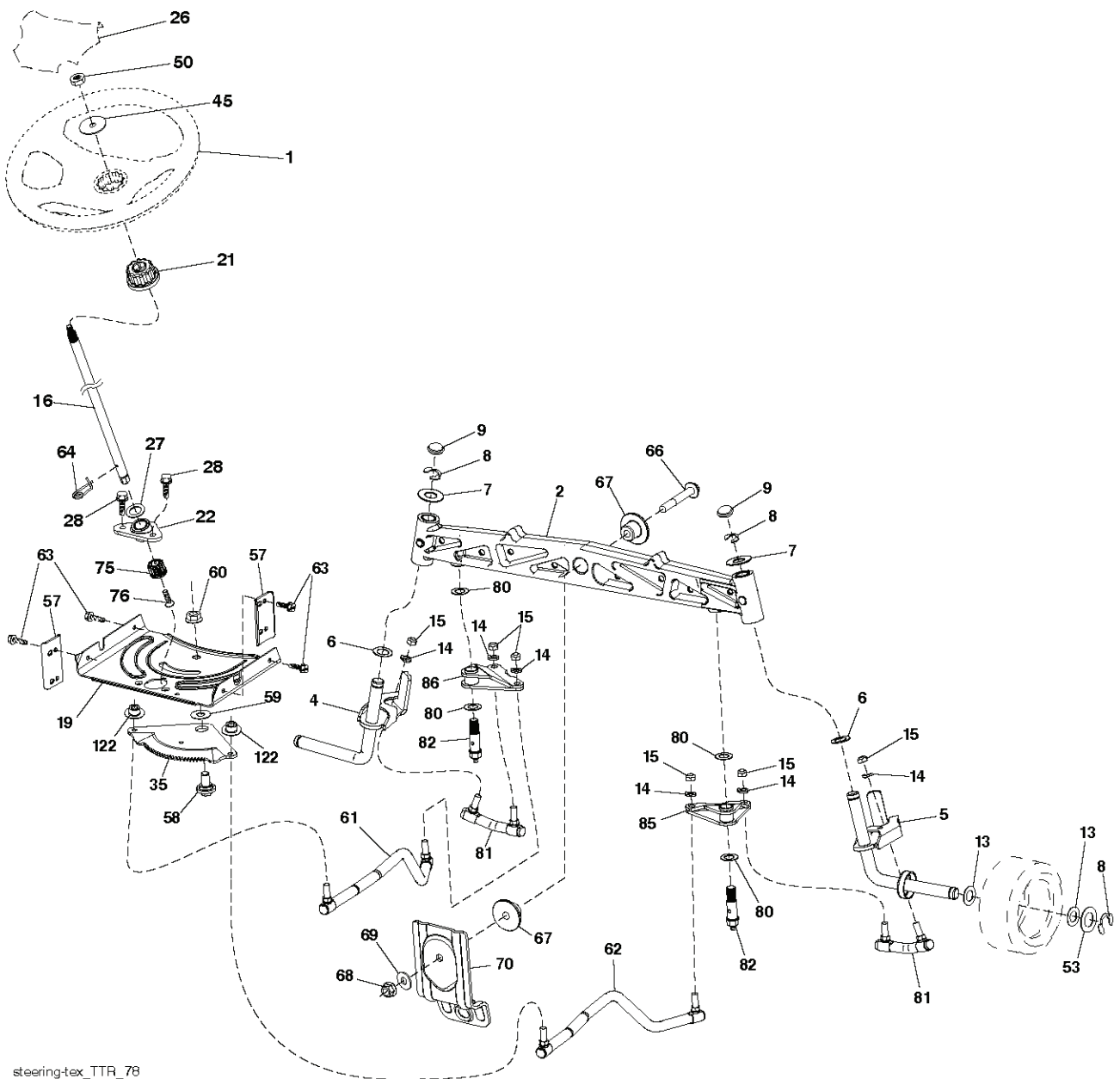




seat-tex\_7A-vgt

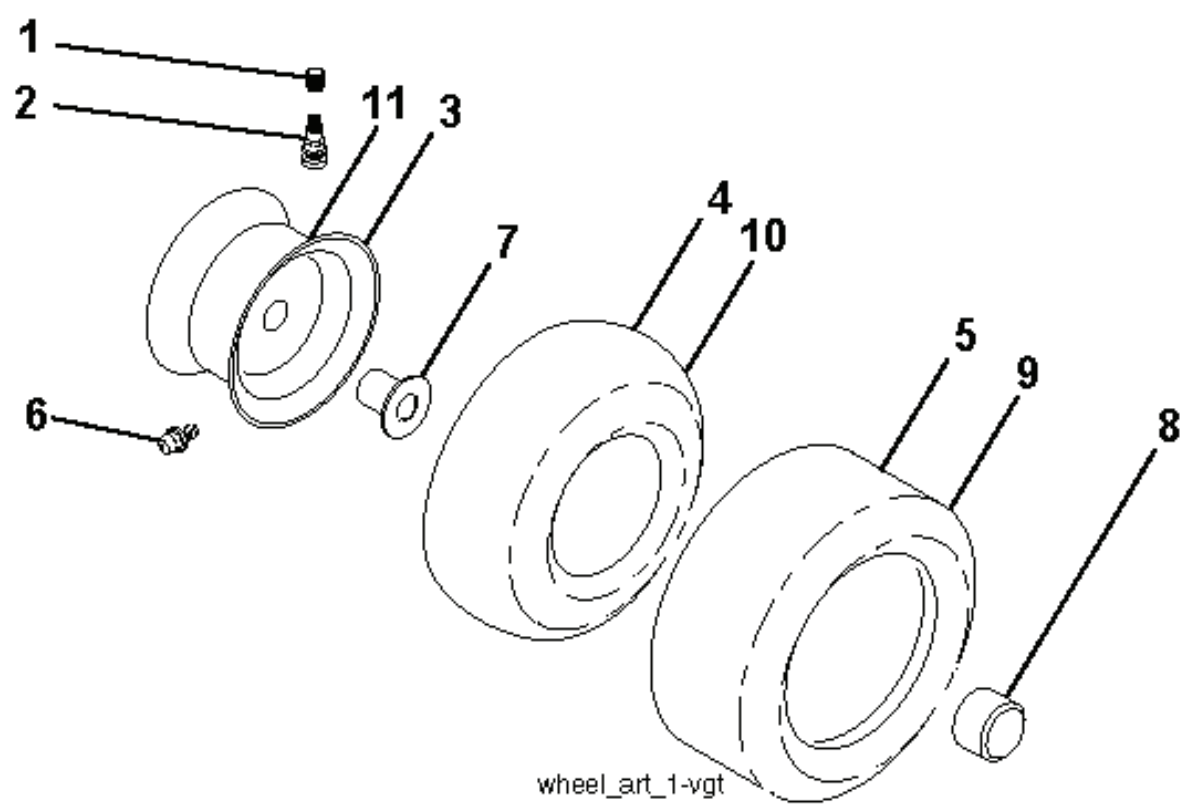
---

REF.	PART NO.	DESCRIPTION	REMARK	QTY.	KIT
1	532439819	SEAT		1	
2	532180166	BRACKET		1	
3	532140675	STRAP		1	
6	873800600	NUT		1	
7	587613301	SPRING		1	
8	532171877	BOLT		1	
10	532196977	PLATE		1	
21	587907801	BOLT		1	
37	873800500	LOCK NUT		1	
40	532197661	HANDLE		1	
41	532198200	SPRING		1	
43	874760612	BOLT		1	
44	819133812	WASHER		1	



steering-tex\_TTR\_78

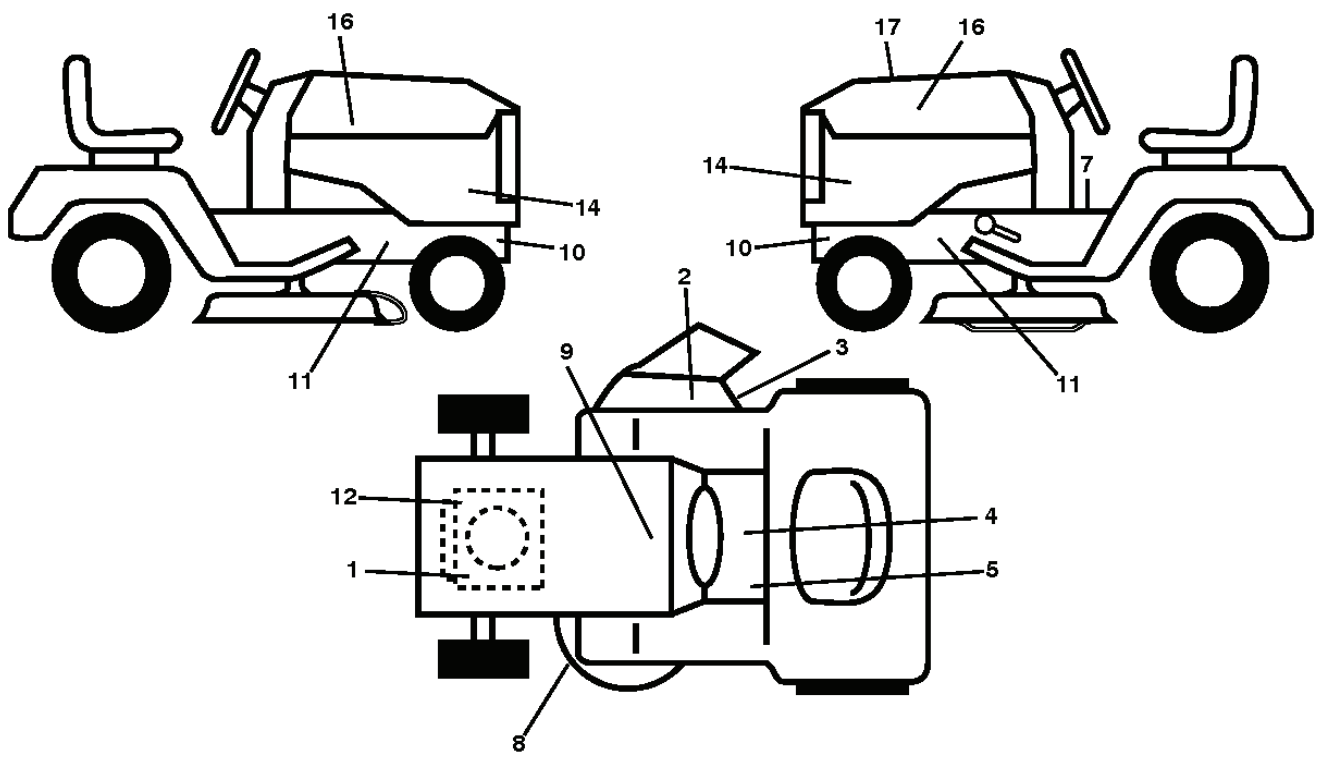
REF.	PART NO.	DESCRIPTION	REMARK	QTY.	KIT
1	532439740	STEERING WHEEL		1	
2	532436870	WHEEL AXLE		1	
4	532436873	SPINDLE		1	
5	532436874	SPINDLE		1	
6	532124931	WASHER		1	
7	532121748	WASHER		1	
8	812000029	RETAINER RING		1	
9	532121232	HUB CAP		1	
13	532121749	WASHER		1	
14	810040600	WASHER		1	
15	873540600	NUT		1	
16	587016002	SHAFT		1	
19	532194729	PLATE		1	
21	586840201	ADAPTER		1	
22	585029901	BEARING		1	
26	532439743	HUB CAP		1	
27	819211616	WASHER		1	
28	817000612	SCREW		1	
35	532440770	GEAR		1	
45	819183812	WASHER		1	
50	873900600	NUT		1	
53	532188967	WASHER		1	
57	532407465	BRACKET		1	
58	532194747	BOLT		1	
59	532194748	WASHER		1	
60	873971000	NUT		1	
61	581926202	LINK ASSY		1	
62	581926302	LINK ASSY		1	
63	817000512	SCREW		1	
64	532199849	SPRING RETAINER		1	
66	871020748	BOLT		1	
67	532194737	BUSHING		1	
68	873900700	NUT		1	
69	532199162	WASHER		1	
70	585338801	BRACKET		1	
75	580683701	PINION		1	
76	580683601	SCREW		1	
80	532001370	WASHER		1	
81	532436887	LINK		1	
82	532442147	BOLT		1	
85	532441873	PIVOT		1	
86	532441872	PIVOT		1	
122	532444962	CAP		1	



---

REF.	PART NO.	DESCRIPTION	REMARK	QTY.	KIT
1	532059192	CAP VALVE		1	
2	532065139	NIPPLE		1	
3	532138336	RIM	FRONT	1	
4	532059904	HOSE	(Service Item Only)	1	
5	532106222	TIRE	FRONT (15 X 6-6)	1	
6	532124957	FITTING	(Front Wheel Only)	1	
7	532124959	BEARING	(Front Wheel Only)	1	
8	532175039	HUB CAP		1	
9	532138468	TIRE	REAR (20 X 8-8)	1	
10	532124926	HOSE	(Service Item Only)	1	
11	532138337	RIM SPROCKET	REAR	1	
--	532144334	SEALING FOAM		1	





REF.	PART NO.	DESCRIPTION	REMARK	QTY.	KIT
1	587469101	DECAL		1	
2	584904601	DECAL		1	
3	581579201	DECAL		1	
4	581578001	DECAL		1	
5	581724001	DECAL		1	
7	581578101	DECAL		1	
8	581580001	DECAL		1	
9	532145005	DECAL		1	
10	581579601	DECAL		1	
11	581579801	DECAL		1	
12	581579701	DECAL		1	
14	587396501	DECAL		1	
16	581627301	DECAL		1	
17	587617701	DECAL		1	
--	581724801	DECAL		1	
--	581724601	DECAL		1	
--	532439681	PLATE		1	
--	532439682	PAD		1	
	PART NO.		REMARK		KIT