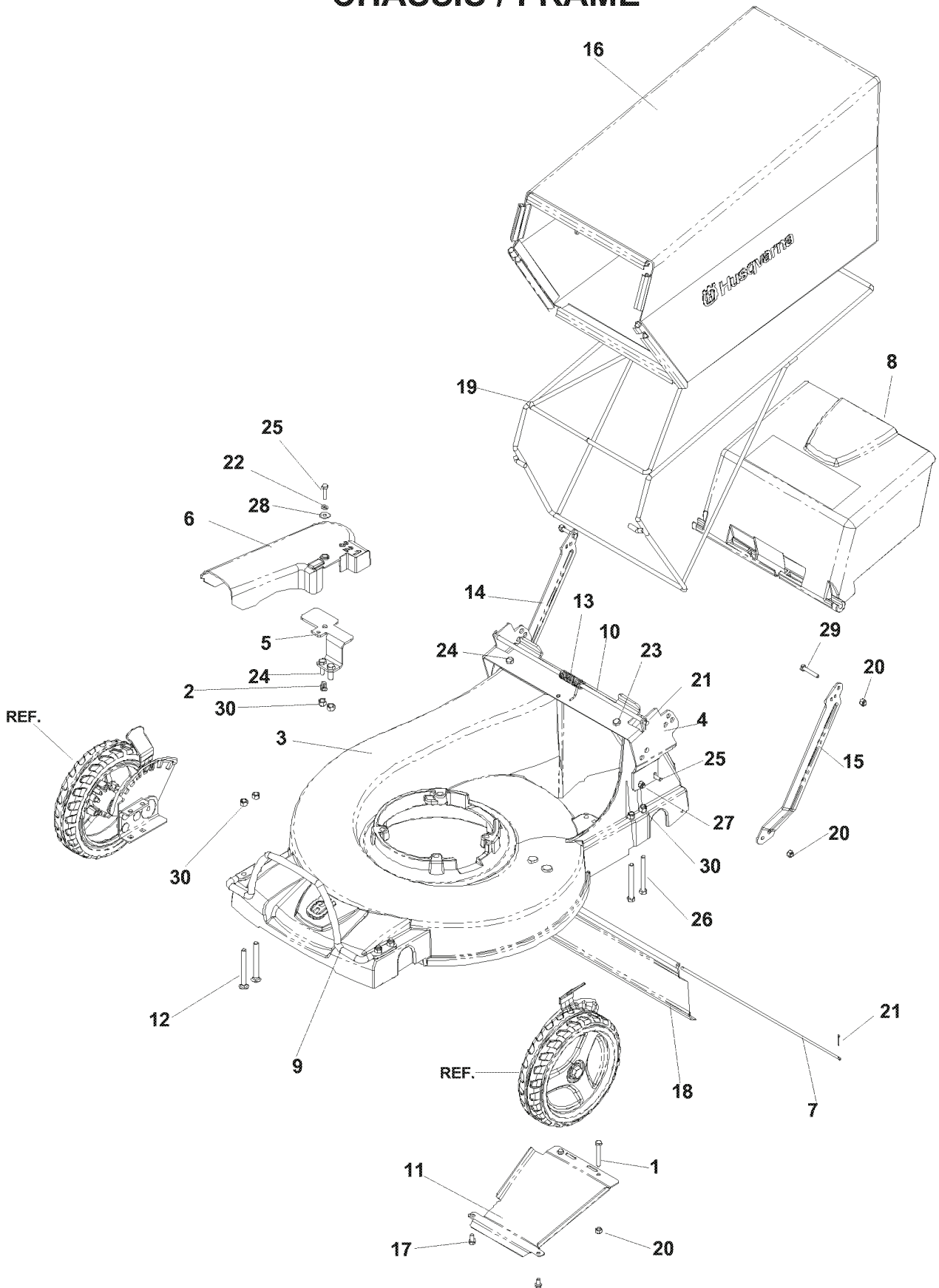


W53SBEK, 968999287, 2007-03

SPARE PARTS LIST

CHASSIS / FRAME

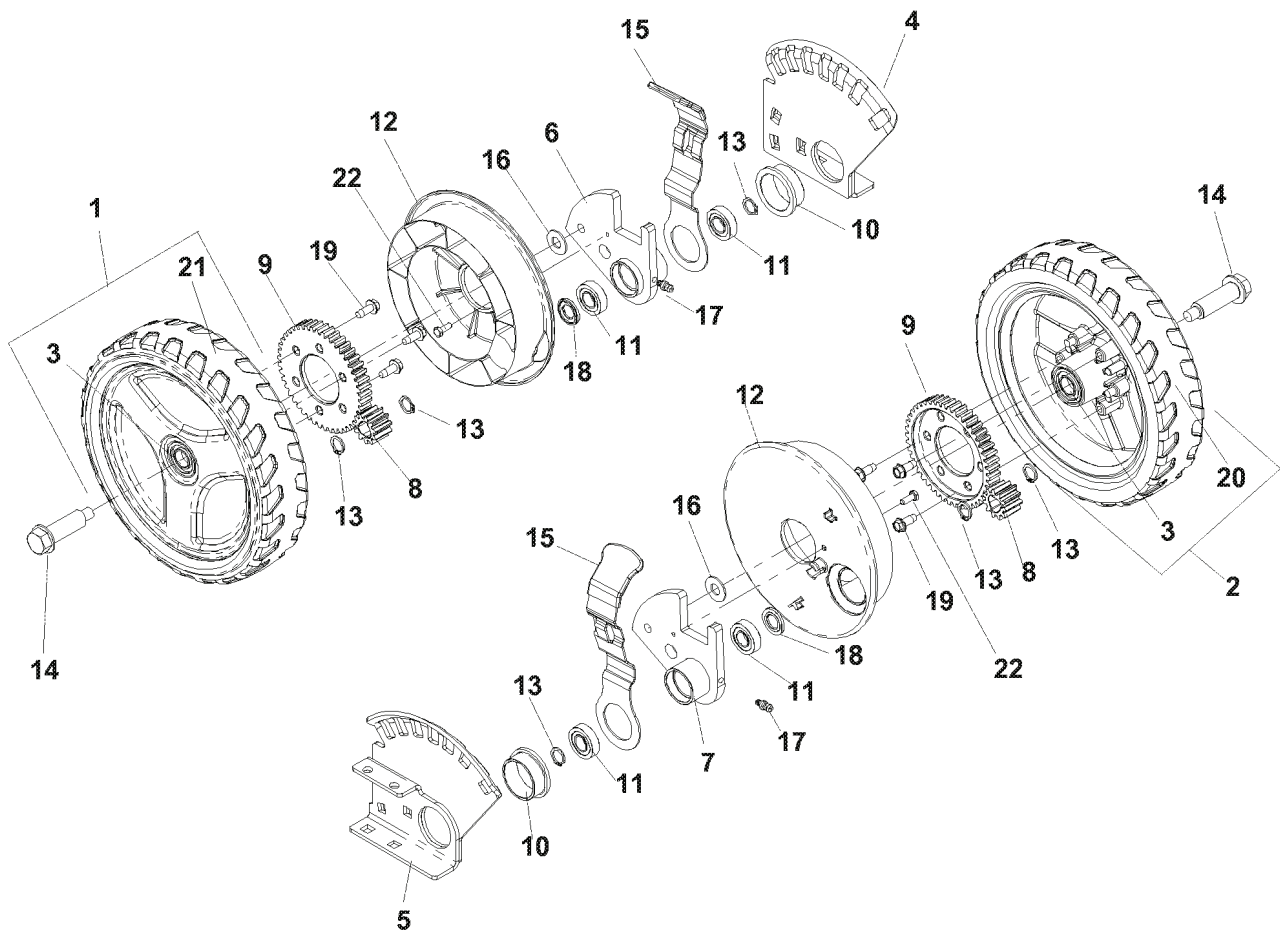


| REF. | PART NO. | DESCRIPTION | REMARK | QTY. | KIT |
|---------------|-----------|-------------------------------|--------|------|-----|
| 1 | 539101313 | HCS 1/4C X 2 | | 2 | |
| 2 | 539108147 | INSERT | | 1 | |
| 3 | 539113049 | DECAL | | 1 | |
| 4 | 539111521 | TOP SADDLE | | 1 | |
| 5 | 539111530 | DECK | | 1 | |
| 6 | 539111536 | BELT SHIELD | | 1 | |
| 7 | 539111538 | FLAP | | 1 | |
| 8 | 539111540 | DESCHARGE FLAP | | 1 | |
| 9 | 539111863 | GUARD | | 1 | |
| 10 | 539111868 | HINGE | | 1 | |
| 11 | 539111964 | CHUTE BOTTOM | | 1 | |
| 12 | 539111977 | RHSNB. 5/16C X 3 1/4, GR5 | | 4 | |
| 13 | 539111995 | SPRING, TORSION | | 1 | |
| 14 | 539112047 | HANDLE BRACE, RIGHT | | 1 | |
| 15 | 539112111 | HANDLE BRACE, LEFT | | 1 | |
| 16 | 539112293 | GRASS BAG | | 1 | |
| 539 112948 | 539112948 | GRASS BAG | | 1 | |
| 17 | 539112793 | SCREW, 1/4-14 X 1/2, THD FORM | | 2 | |
| 18 | 539112913 | REAR FLAP | | 1 | |
| 19 | 539113545 | BAG FRAME | | 1 | |
| 20 | 539976978 | NUT | | 8 | |
| 21 | 539990037 | COTTER | | 4 | |
| 22 | 539990052 | WASHER | | 1 | |
| 23 | 539990206 | SCREW | | 1 | |
| 24 | 539990209 | SCREW | | 3 | |
| 25 | 539990548 | SCREW | | 3 | |
| 26 | 539990553 | HCS 5/16 X 3 | | 4 | |
| 27 | 539990580 | SCREW | | 2 | |
| 28 | 539990598 | WASHER | | 1 | |
| 29 | 539990639 | SCREW | | 2 | |
| 30 | 539990717 | NUT | | 12 | |

WHEELS & TIRES

REAR WHEELS

MODELS: 968999284, 968999286, 968999287, 968999289,
968999639, 968999640

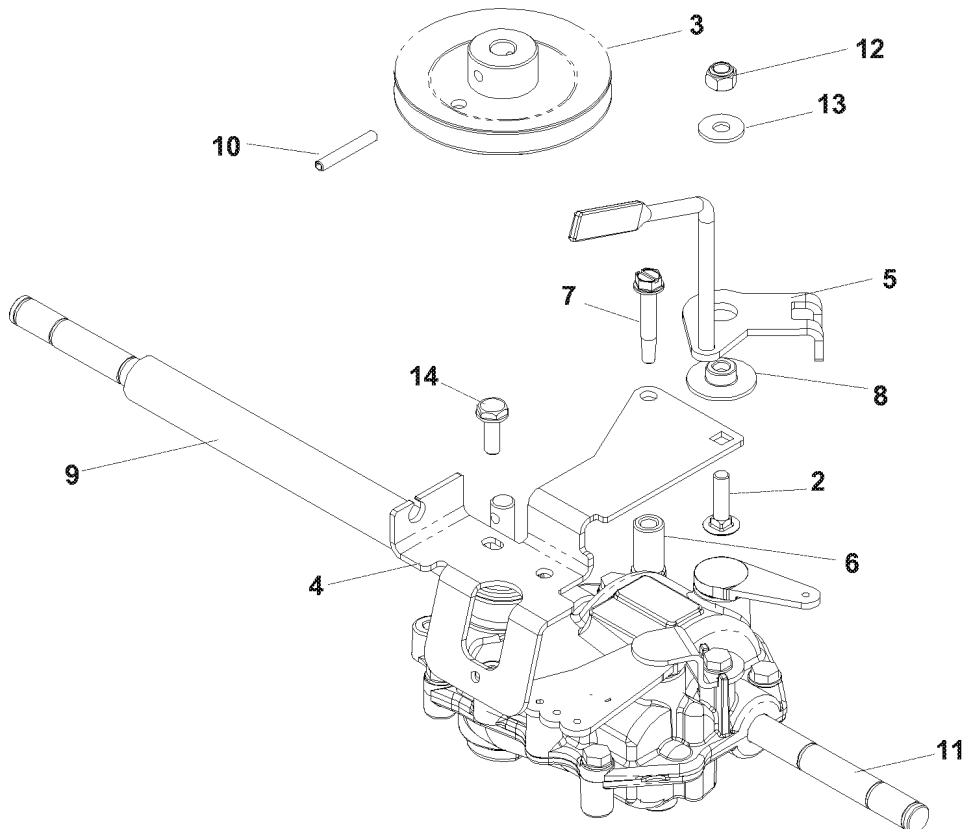
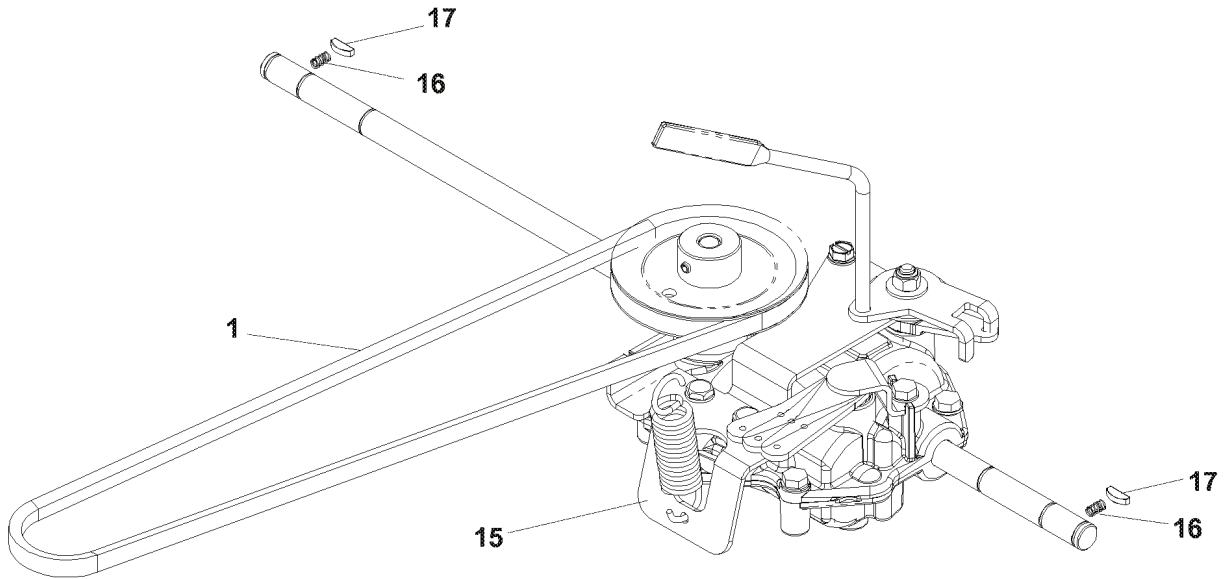


| REF. | PART NO. | DESCRIPTION | REMARK | QTY. | KIT |
|------|-----------|-----------------------------|--------|------|-----|
| 1 | 539111503 | WHEEL | | 1 | |
| 2 | 539111972 | WHEEL | | 1 | |
| 3 | 539111504 | BEARING | | 2 | |
| 4 | 539111513 | WHEEL MOUNT, LEFT | | 1 | |
| 5 | 539111875 | WHEEL MOUNT, RIGHT | | 1 | |
| 6 | 539111519 | OUTER WHEEL, LEFT | | 1 | |
| 7 | 539111867 | OUTER WHEEL, RIGHT | | 1 | |
| 8 | 539111509 | PINION | | 2 | |
| 9 | 539111511 | GEAR | | 2 | |
| 10 | 539111516 | BUSHING | | 2 | |
| 11 | 539111517 | BEARING, TRANSMISSION SHAFT | | 4 | |
| 12 | 539111547 | DEBRIS GUARD | | 2 | |
| 13 | 539111872 | RING | | 6 | |
| 14 | 539111873 | SHOULDER BOLT | | 2 | |
| 15 | 539111950 | LEVER | | 2 | |
| 16 | 539112789 | AXLE WASHER | | 2 | |
| 17 | 539115638 | FITTING | | 2 | |
| 18 | 539113138 | WASHER | | 2 | |
| 19 | 539990362 | SCREW | | 6 | |
| 20 | 539111971 | TIRE, 9", RIGHT | | 1 | |
| 21 | 539111502 | TIRE, 9", LEFT | | 1 | |
| 22 | 539990411 | SCREW | | 2 | |

TRANSMISSION

SELF PROPELLED

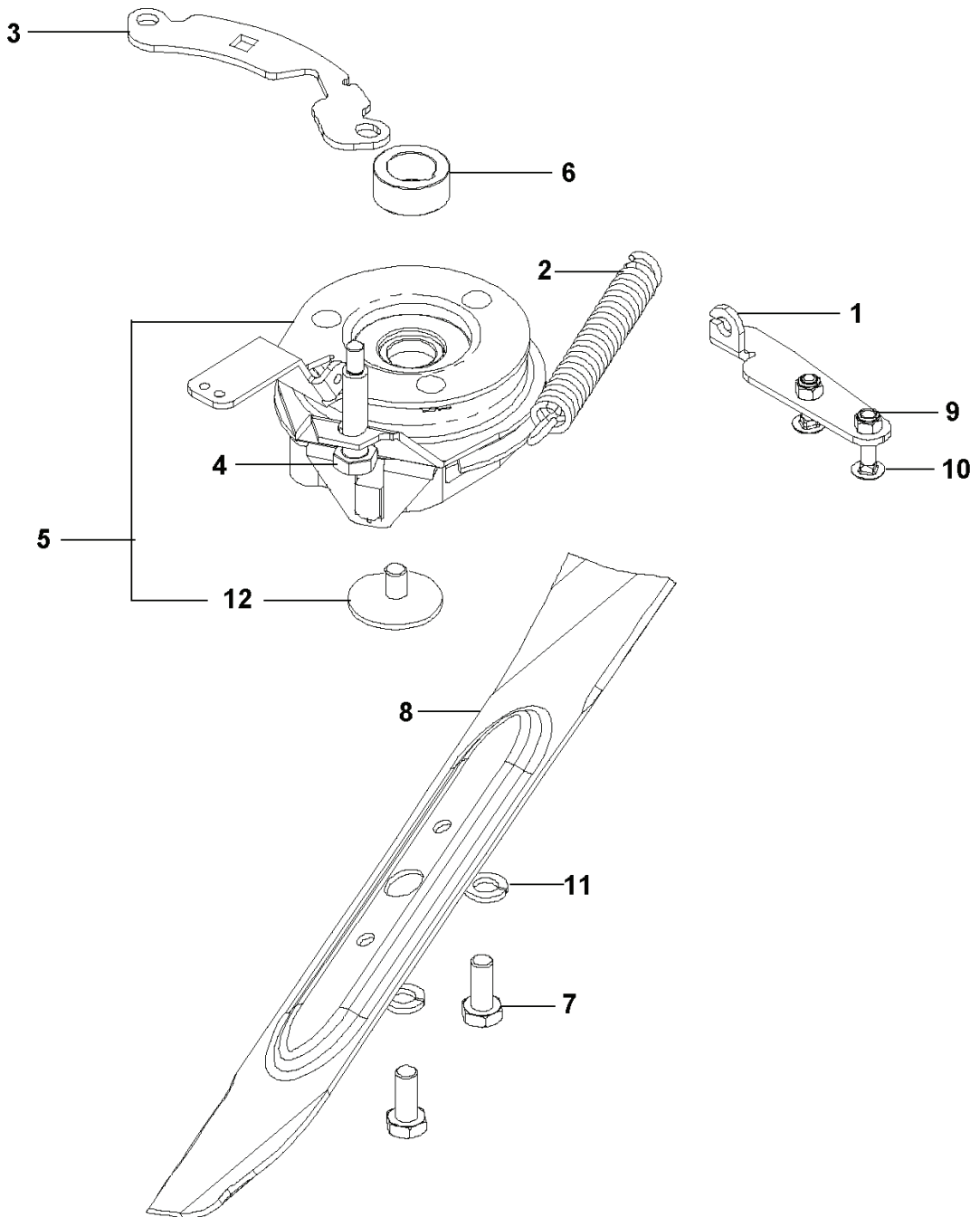
MODELS: 968999284, 968999286, 968999287,
968999289, 968999639, 968999640



| REF. | PART NO. | DESCRIPTION | REMARK | QTY. | KIT |
|------|-----------|----------------------------------|--------|------|-----|
| 1 | 539111531 | BELT | | 1 | |
| 2 | 539109800 | BOLT | | 1 | |
| 3 | 539111528 | DRIVEN PULLEY | | 1 | |
| 4 | 539111529 | CABLE | | 1 | |
| 5 | 539111535 | LEVER | | 1 | |
| 6 | 539111877 | TRANSMISSION SPACER | | 1 | |
| 7 | 539112046 | HCS. 1/4-14 X 1 1/2. SELF TAP | | 1 | |
| 8 | 539112911 | PIVOT BUSHING | | 1 | |
| 9 | 539112915 | SHAFT COVER | | 1 | |
| 10 | 539113100 | PIN | | 1 | |
| 11 | 539113139 | TRANSMISSION W/GREASE SLOT, T13C | | 1 | |
| 12 | 539976978 | NUT | | 1 | |
| 13 | 539990598 | WASHER | | 1 | |
| 14 | 539991081 | SCREW, 1/4-14 X 3/4. SELF TAP | | 2 | |
| 15 | 539111890 | SPRING | | 1 | |
| 16 | 539111891 | KEY SPRING | | 2 | |
| 17 | 539111893 | KEY | | 2 | |

CUTTING EQUIPMENT

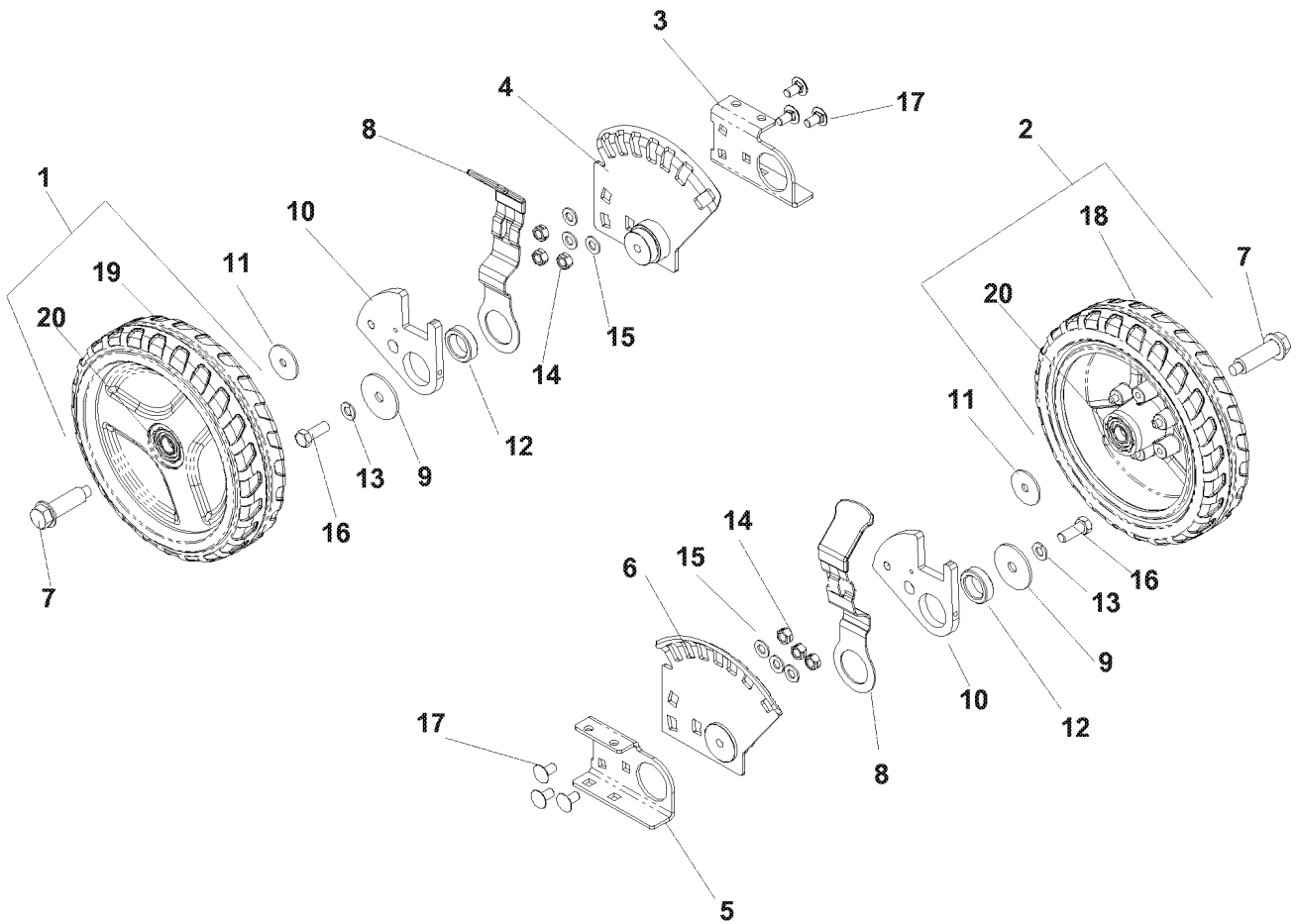
BLADE, BRAKE, CLUTCH (BBC)
MODELS: 968999286, 968999640



| REF. | PART NO. | DESCRIPTION | REMARK | QTY. | KIT |
|------|-----------|---------------------------|--------|------|-----|
| 1 | 539111543 | CABLE | | 1 | |
| 2 | 539111548 | SPRING, CLUTCH | | 1 | |
| 3 | 539111549 | CLUTCH | | 1 | |
| 4 | 539111960 | BOLT | | 1 | |
| 5 | 539111965 | CLUTCH | | 1 | |
| 6 | 539111974 | SPACER | | 1 | |
| 7 | 539111997 | HCS, M10-1.5 X 25 MM, GR8 | | 2 | |
| 8 | 539130738 | BLADE | | 1 | |
| 9 | 539976978 | NUT | | 2 | |
| 10 | 539977761 | SCREW | | 2 | |
| 11 | 539990247 | WASHER | | 2 | |
| 12 | 578936301 | BOLT | | 1 | |

WHEELS & TIRES

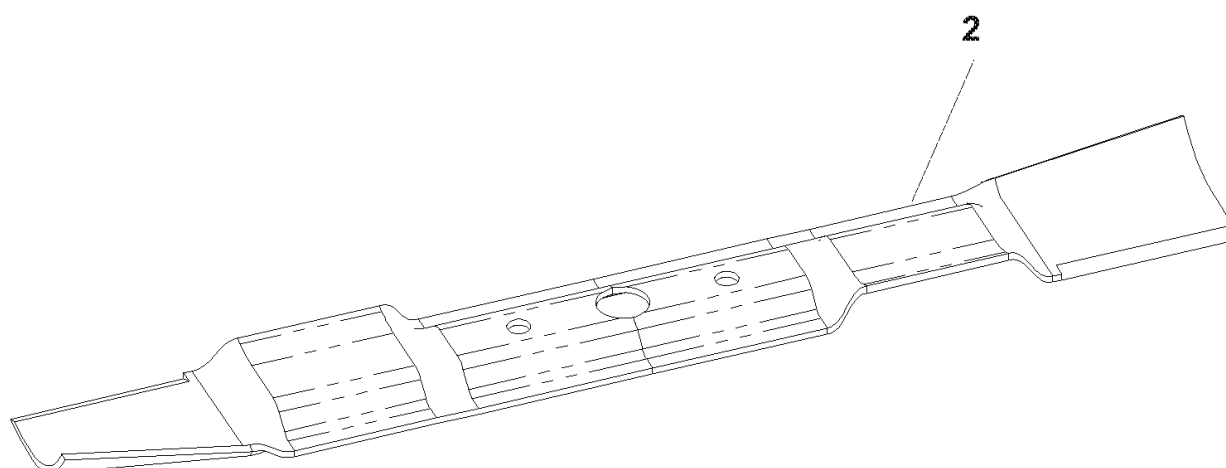
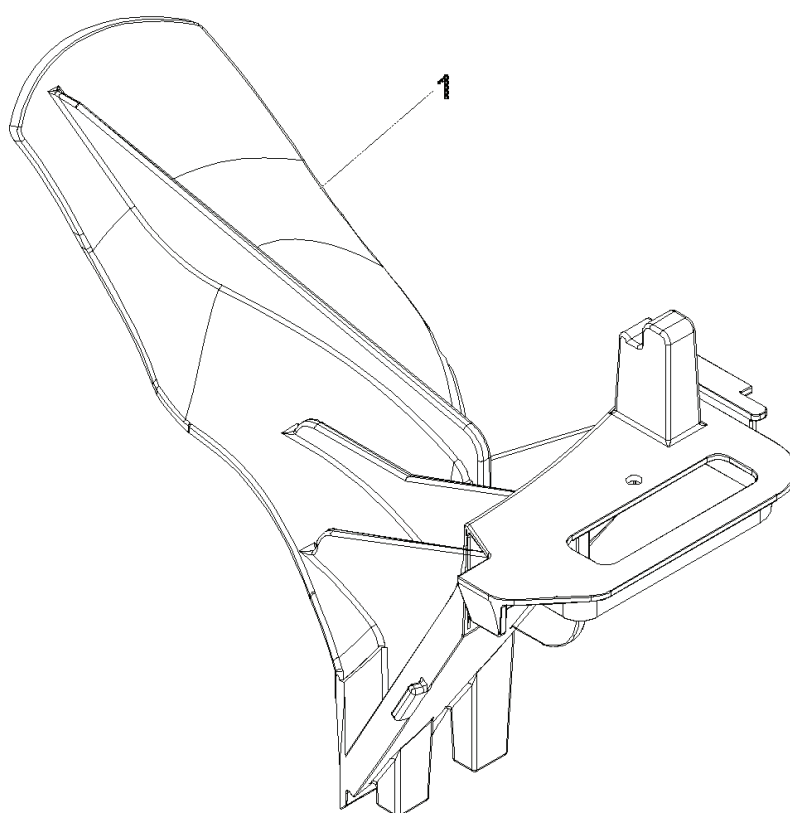
FRONT WHEELS



| REF. | PART NO. | DESCRIPTION | REMARK | QTY. | KIT |
|------|-----------|-------------------------|--------|------|-----|
| 1 | 539111503 | WHEEL | | 1 | |
| 2 | 539111972 | WHEEL | | 1 | |
| 3 | 539111886 | FRONT DECK PLATE, LEFT | | 1 | |
| 4 | 539111888 | FRONT PLATE, LEFT | | 1 | |
| 5 | 539111887 | FRONT DECK PLATE, RIGHT | | 1 | |
| 6 | 539111889 | FRONT PLATE, RIGHT | | 1 | |
| 7 | 539111873 | SHOULDER BOLT | | 2 | |
| 8 | 539111894 | LEVER | | 2 | |
| 9 | 539111897 | WASHER | | 2 | |
| 10 | 539111955 | WHEEL PLATE, FRONT | | 2 | |
| 11 | 539112789 | AXLE WASHER | | 2 | |
| 12 | 539110267 | BUSHING | | 2 | |
| 13 | 539990118 | WASHER | | 2 | |
| 14 | 539990184 | NUT | | 6 | |
| 15 | 539990188 | WASHER | | 6 | |
| 16 | 539990563 | SCREW | | 2 | |
| 17 | 539990799 | BOLT | | 6 | |
| 18 | 539111971 | TIRE, 9", RIGHT | | 1 | |
| 19 | 539111502 | TIRE, 9", LEFT | | 1 | |
| 20 | 539111504 | BEARING | | 2 | |

ACCESSORIES

MULCH KIT 113051
(BBC)

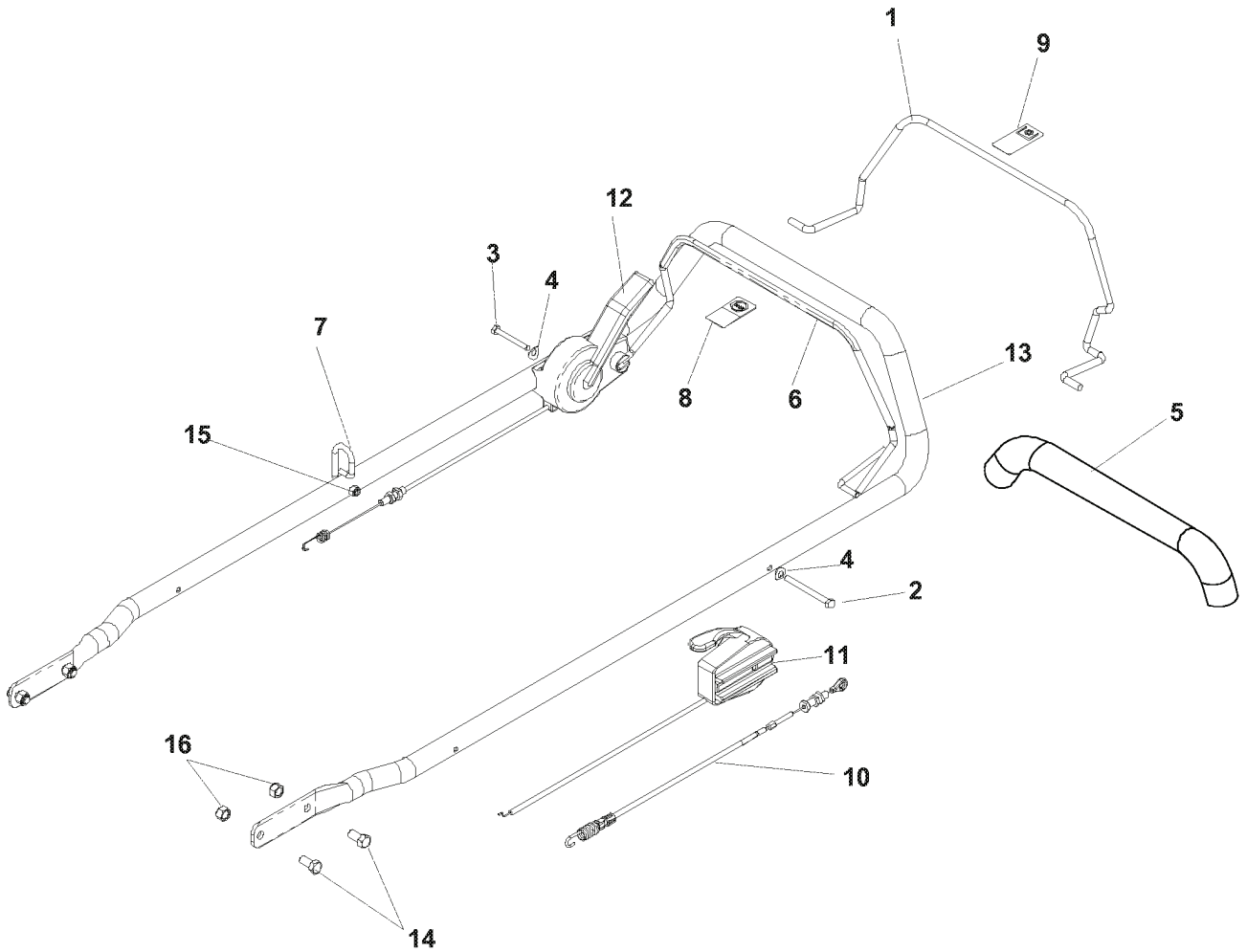


| REF. | PART NO. | DESCRIPTION | REMARK | QTY. | KIT |
|------|-----------|-------------|--------|------|-----|
| 1 | 539111515 | MULCH PLUG | | 1 | |
| 2 | 539111958 | BLADE | | 1 | |

HANDLE & CONTROLS

BLADE, BRAKE, CLUTCH (BBC)

MODELS: 968999286, 968999287, 968999640

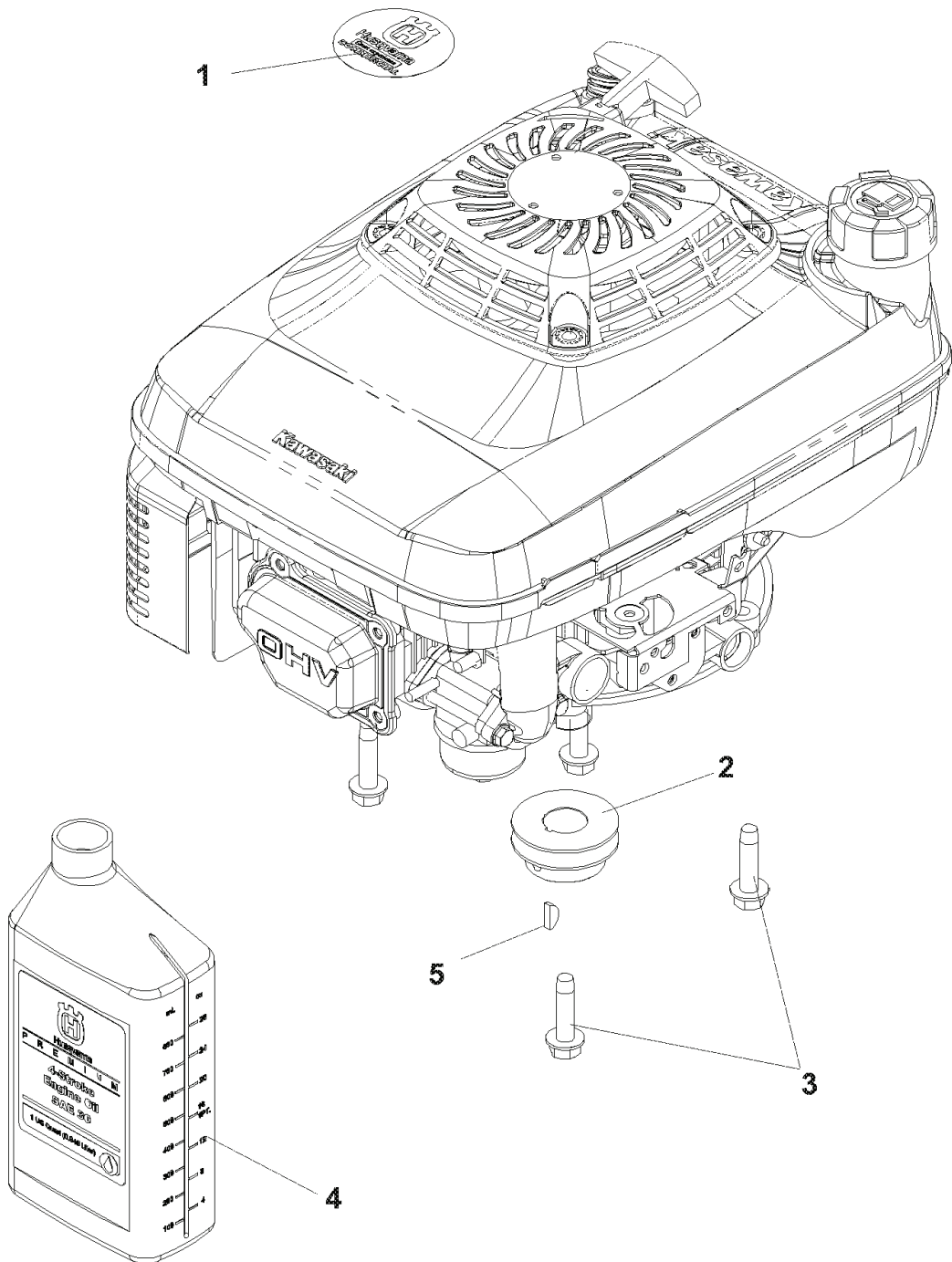


| REF. | PART NO. | DESCRIPTION | REMARK | QTY. | KIT |
|---------------|-----------|-------------------------|--------|------|-----|
| 1 | 539111993 | BAIL | | 1 | |
| 2 | 539112276 | HCS. M6-1.0 X 70. GR8.8 | | 1 | |
| 3 | 539112277 | HCS. M6-1.0 X 50. GR8.8 | | 1 | |
| 4 | 539110488 | WASHER. 5/16. WAVE | | 2 | |
| 5 | 539122635 | FOAM GRIP (GROUND) 15' | | 1 | |
| 6 | 539112907 | BAIL | | 1 | |
| 7 | 539112922 | ROPE GUIDE | | 1 | |
| 8 | 539113067 | DECAL | | 1 | |
| 9 | 539113068 | DECAL | | 1 | |
| 10 | 539113110 | CONTROL | | 1 | |
| 11 | 539113113 | THROTTLE CABLE ASSY | | 1 | |
| 12 | 539113114 | CABLE | | 1 | |
| 13 | 539113117 | HANDLE | | 1 | |
| 14 | 539990134 | BOLT | | 4 | |
| 15 | 539976978 | NUT | | 1 | |
| 16 | 539976979 | NUT | | 4 | |
| 539 976856 | 539976856 | TIE WRAP | | 7 | |

ENGINE

KAWASAKI BBC - CE

MODEL: 968999287

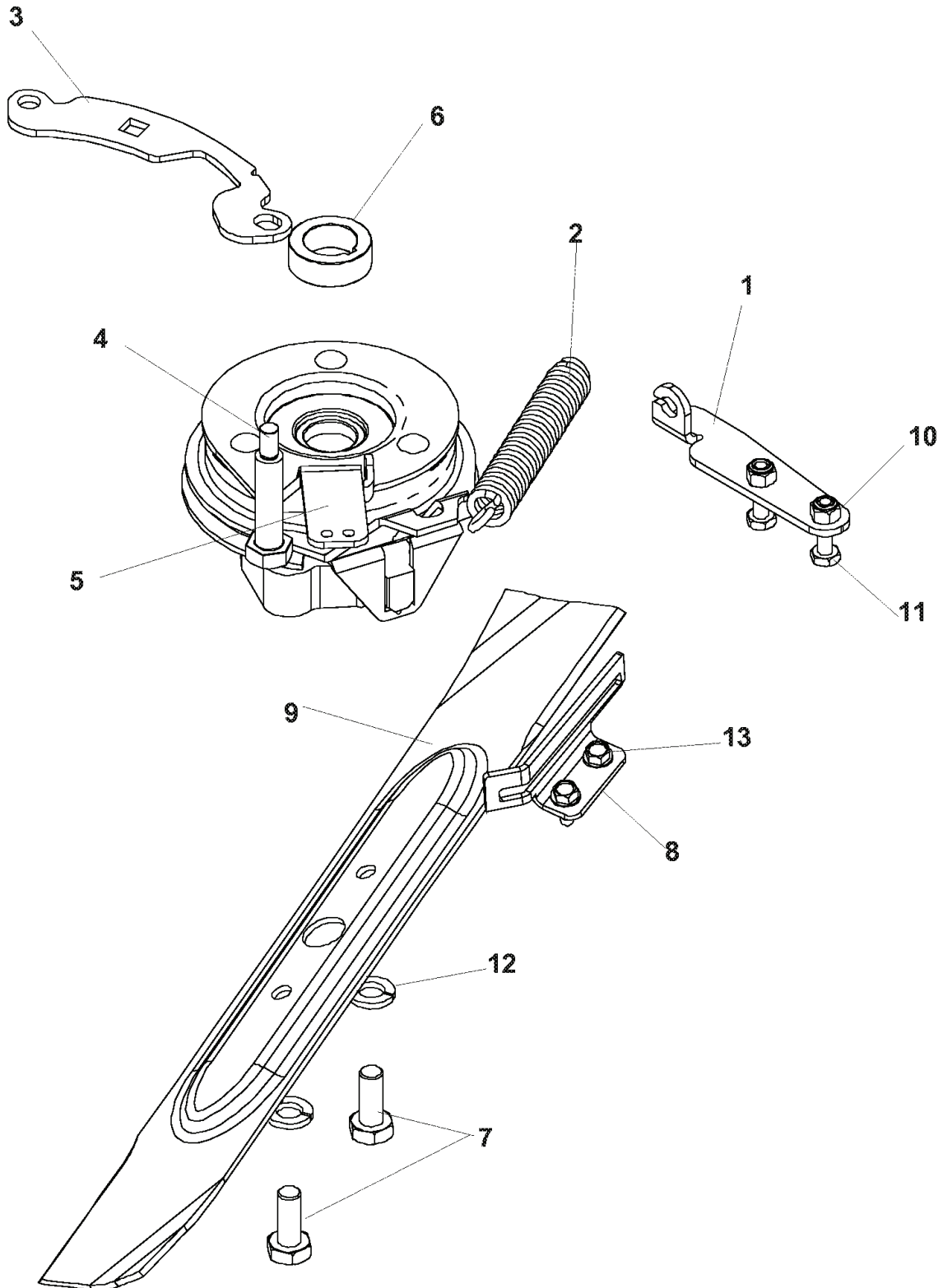


| REF. | PART NO. | DESCRIPTION | REMARK | QTY. | KIT |
|------|-----------|----------------|--------|------|-----|
| 1 | 539110124 | DECAL | | 1 | |
| 2 | 539111525 | ENGINE PULLEY | | 1 | |
| 3 | 539111970 | BOLT | | 4 | |
| 4 | 539112946 | OIL W/LABEL QT | | 1 | |
| 5 | 539910008 | KEY | | 1 | |

CUTTING EQUIPMENT

BLADE, BRAKE, CLUTCH (BBC CE)

MODELS: 968999287



| REF. | PART NO. | DESCRIPTION | REMARK | QTY. | KIT |
|------|-----------|---------------------------|--------|------|-----|
| 1 | 539111543 | CABLE | | 1 | |
| 2 | 539111548 | SPRING, CLUTCH | | 1 | |
| 3 | 539111549 | CLUTCH | | 1 | |
| 4 | 539111960 | BOLT | | 1 | |
| 5 | 539111965 | CLUTCH | | 1 | |
| 6 | 539111974 | SPACER | | 1 | |
| 7 | 539111997 | HCS, M10-1.5 X 25 MM, GR8 | | 2 | |
| 8 | 539113391 | DECK GUARD, BBC | | 1 | |
| 9 | 539130811 | BLADE | | 1 | |
| 10 | 539976978 | NUT | | 2 | |
| 11 | 539977761 | SCREW | | 2 | |
| 12 | 539990247 | WASHER | | 2 | |
| 13 | 539990362 | SCREW | | 2 | |

DECALS

DISCHARGE GUARD OR GRASS CATCHER MUST BE IN PLACE WHILE OPERATING

NE PAS UTILISER SANS LE DEFLECTEUR OU LE COLLECTEUR D'HERBE

NICHT OHNE SPIJL BELECH OFDER GRASVANGSACK VERWIJDEN

NON UTILIZZARE SENZA DEFLETTORE O SACCO RACCOLTERBA

NIET GEBRUIKEN ZONDER UITWERPDEKOR OF GRASVANGZAK

NO UTILIZAR SIN DEFLECTOR O SACO RECOLECTOR

NAO UTILIZAR SEM DEFLECTOR OU COLECTOR DE RELVA

KOR INTE UTAN UTKASTSKYDD ELLER GRASUPPSAMLARE

BRUG IKKE PLÆNEKUPPEREN UDEN UDKAST ERSKJERM ELLER GRÆSOPSAMLER

E SÄÄ KATTIÄÄ ILMAN ULOSHEITTOAUKON SUOJAA TAI KERUUPUSSIA

IKKE KLOR UTEN UTFKASTEREISEL ELLER GRESSAMLER MONTERET

1. READ OPERATING MANUAL AND FOLLOW SAFETY INSTRUCTIONS.
2. LOOK DOWN AND BEHIND BEFORE AND WHILE MOVING BACKWARDS.
3. MOW ACROSS SLOPES, NEVER UP OR DOWN SLOPES.
4. KEEP CHILDREN AND BYSTANDERS OUT OF AREA AND AWAY FROM MOWER.
5. CLEAN AREA OF DEBRIS AND LOOSE ITEMS BEFORE OPERATING MOWER.
6. KEEP ALL SAFETY DEVICES, SHIELDS, GUARDS AND DOORS IN PLACE AND WORKING.

111514

3

WARNING

The engine exhaust from this product contains chemicals known to the state of California to cause cancer, birth defects or other reproductive harm.

101881

4

WARNING

Deflector shield or entire grass catcher must be in place while mowing.

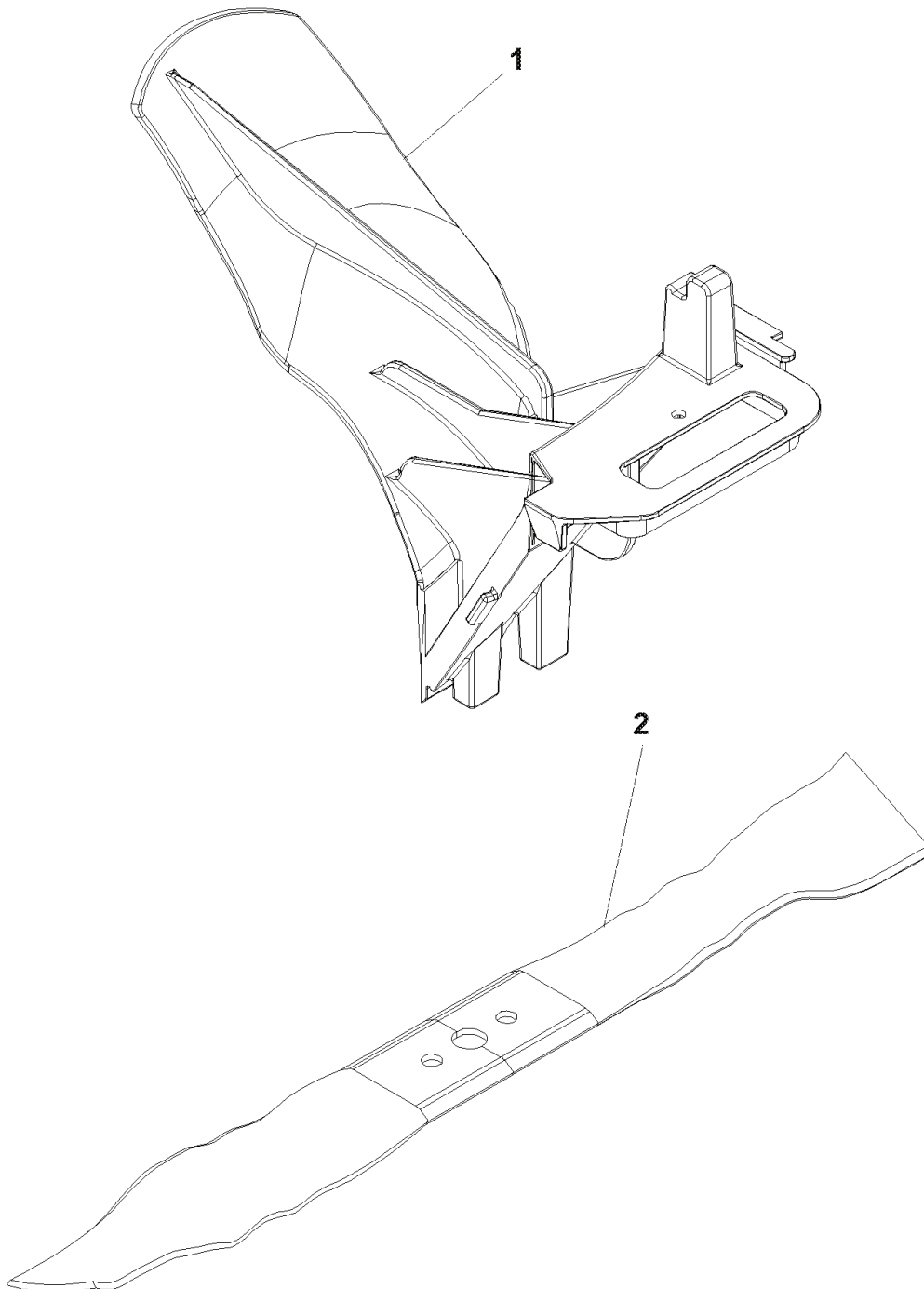
113224



| REF. | PART NO. | DESCRIPTION | REMARK | QTY. | KIT |
|------|-----------|-------------|--------|------|-----|
| 1 | 539130239 | DECAL | | 1 | |
| 2 | 539913010 | DECAL | | 1 | |
| 3 | 539130240 | DECAL | | 1 | |
| 4 | 539111514 | DECAL | | 1 | |
| 5 | 539113224 | DECAL | | 1 | |
| 6 | 539101881 | DECAL | | 1 | |
| 7 | 539110278 | DECAL | | 1 | |
| 8 | 539110279 | DECAL | | 1 | |

ACCESSORIES

MULCH KIT 113052 (BRAKE)



| REF. | PART NO. | DESCRIPTION | REMARK | QTY. | KIT |
|------|-----------|-------------------|--------|------|-----|
| 1 | 539111515 | MULCH PLUG | | 1 | |
| 2 | 539111878 | BLADE, 21". MULCH | | 1 | |