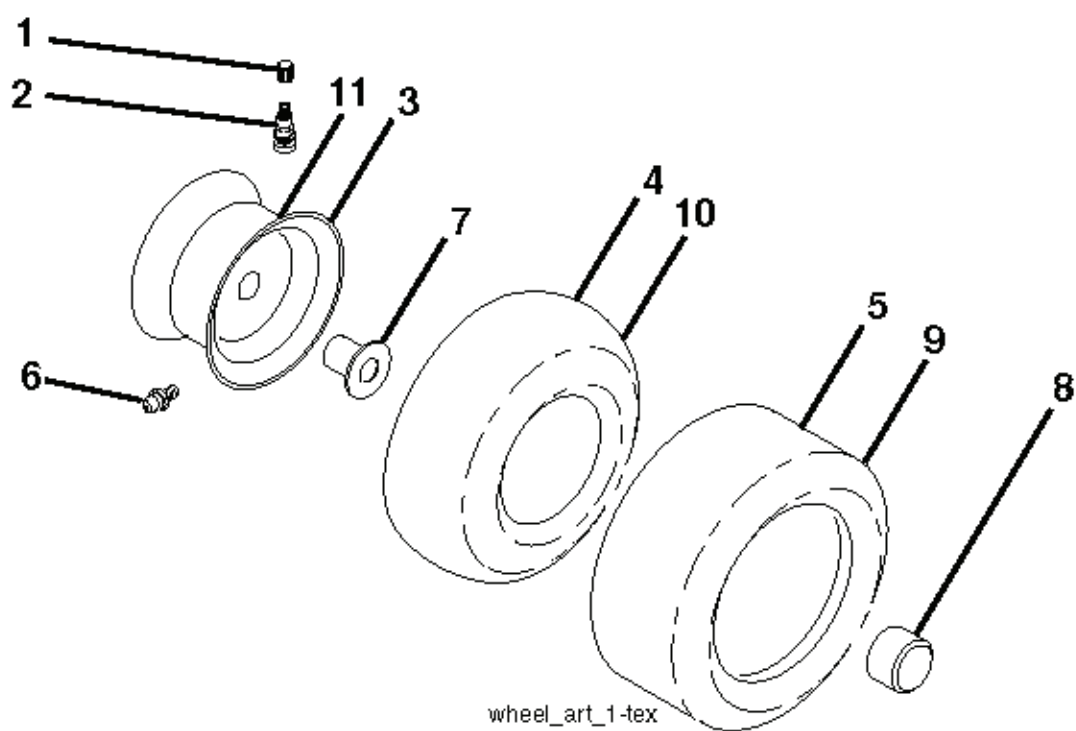


YTH20K46, 96043003302, 2009-05

SPARE PARTS LIST

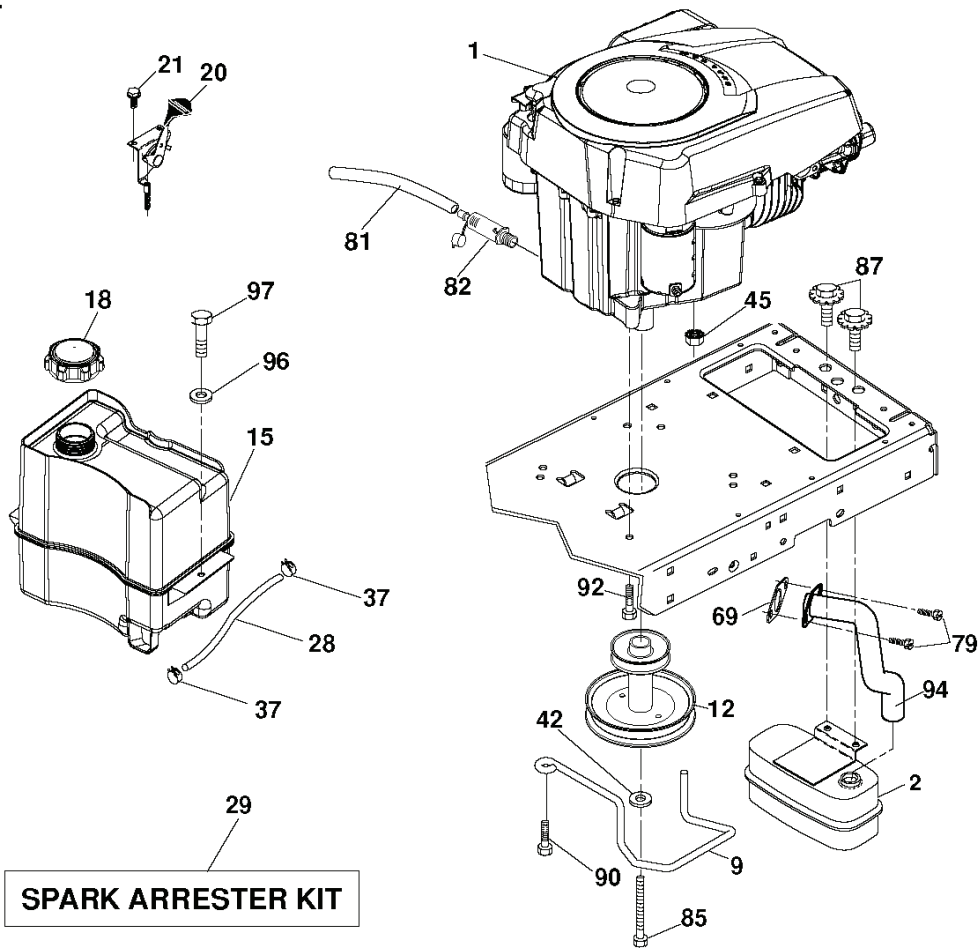
REF.	PART NO.	DESCRIPTION	REMARK	QTY.	KIT
1	532423469	STEERING WHEEL		1	
2	532195968	SHAFT		1	
4	532403087	SPINDLE	LH	1	
5	532403088	SPINDLE	RH	1	
6	532124931	WASHER		1	
7	532121748	WASHER		1	
8	812000029	RETAINER RING		1	
9	532121232	HUB CAP		1	
13	532121749	WASHER		1	
14	810040600	WASHER		1	
15	873540600	NUT		1	
16	532408219	SHAFT		1	
19	532194729	PLATE		1	
21	532186737	ADAPTER		1	
22	532194845	BUSHING		1	
26	532415987	KNOB		1	
28	817000612	SCREW		1	
35	532194732	PLATE		1	
45	819183812	WASHER		1	
51	873940800	NUT		1	
53	532188967	WASHER		1	
57	532407465	BRACKET		1	
58	532194747	BOLT		1	
59	532194748	WASHER		1	
60	873971000	NUT		1	
61	532194740	LINK		1	
62	532194741	LINK		1	
63	817000512	SCREW		1	
64	532199849	SPRING RETAINER		1	
66	871020748	BOLT		1	
67	532194737	BUSHING		1	
68	873900700	NUT		1	
69	532199162	WASHER		1	
70	532196197	BRACKET		1	



REF.	PART NO.	DESCRIPTION	REMARK	QTY.	KIT
1	532059192	CAP VALVE		1	
2	532065139	NIPPLE		1	
3	532138336	RIM		1	
4	532059904	HOSE		1	
5	532106222	TIRE		1	
6	532124957	FITTING	FRONT WHEEL ONLY	1	
7	532124959	BEARING	FRONT WHEEL ONLY	1	
8	532175039	HUB CAP		1	
9	532420531	TIRE		1	
10	532124926	HOSE		1	
11	532138337	RIM SPROCKET		1	
	532144334	SEALING FOAM	10 oz. Tube	1	

REF.	PART NO.	DESCRIPTION	REMARK	QTY.	KIT
1				1	
2	532123583	KEY		1	
15	819131316	WASHER		1	
17	532197296	SPRING		1	
26	532199679	SPRING		1	
29	532408391	ROD		1	
33	812000001	RETAINER RING		1	
35	532199591	ROD		1	
37	532121749	WASHER		1	
42	532124872	PEDAL RUBBER		1	
49	872110614	BOLT		1	
50	532194327	PULLEY		1	
51	873900600	NUT		1	
52	532194326	PULLEY		1	
56	532125907	BELT		1	
64	532197865	SHAFT		1	
73	874490544	SCREW		1	
80	532408393	STRAP.TORQUE.FS.T2	*SUBS/2*	1	
92	874760520	BOLT		1	
99	532408418	ROD		1	
114	873800500	LOCK NUT		1	
116	873900500	NUT		1	
121	532175611	CHAPPE DE FIXATION		1	
122	872010520	BOLT		1	
125	817000512	SCREW		1	
143	817490508	SCREW		1	
153	532124788	RETAINER RING		1	
159	876020412	SPLIT PIN		1	
160	532169484	PIN		1	
161	532105709	SPRING		1	
163	532413322	ROD.CONTROL.PCH.T2.TEX		1	
166	532197290	NUT		1	
167	532405257	LATCH		1	
170	532413430	BELT GUIDE		1	
183	532156972	SPACER		1	
184	532403118	CONTROL		1	
185	872110622	BOLT		1	
186	532194321	SPACER		1	
187	819133210	WASHER		1	
188	532194323	LINK		1	
189	532194317	PLATE		1	
190	532194318	BELT GUIDE		1	
205	532121748	WASHER		1	
206	532197867	BRACKET		1	
207	532197868	LATCH		1	
208	532197869	SUPPORT		1	
209	532199592	ROD		1	
210	532400980	PEDAL ARM		1	
211	532120183	BEARING		1	
213	532403119	CONTROL		1	
214	532401722	PEDAL		1	
215	532401723	PEDAL		1	
216	532196131	BRACKET		1	
221	532403187	SPRING		1	
222	879212010	WASHER		1	
231	532407287	PULLEY		1	

**TRACTOR -- MODEL NUMBER YTH20K46 (96043003302), PRODUCT NO. 960 43 00-33
ENGINE**

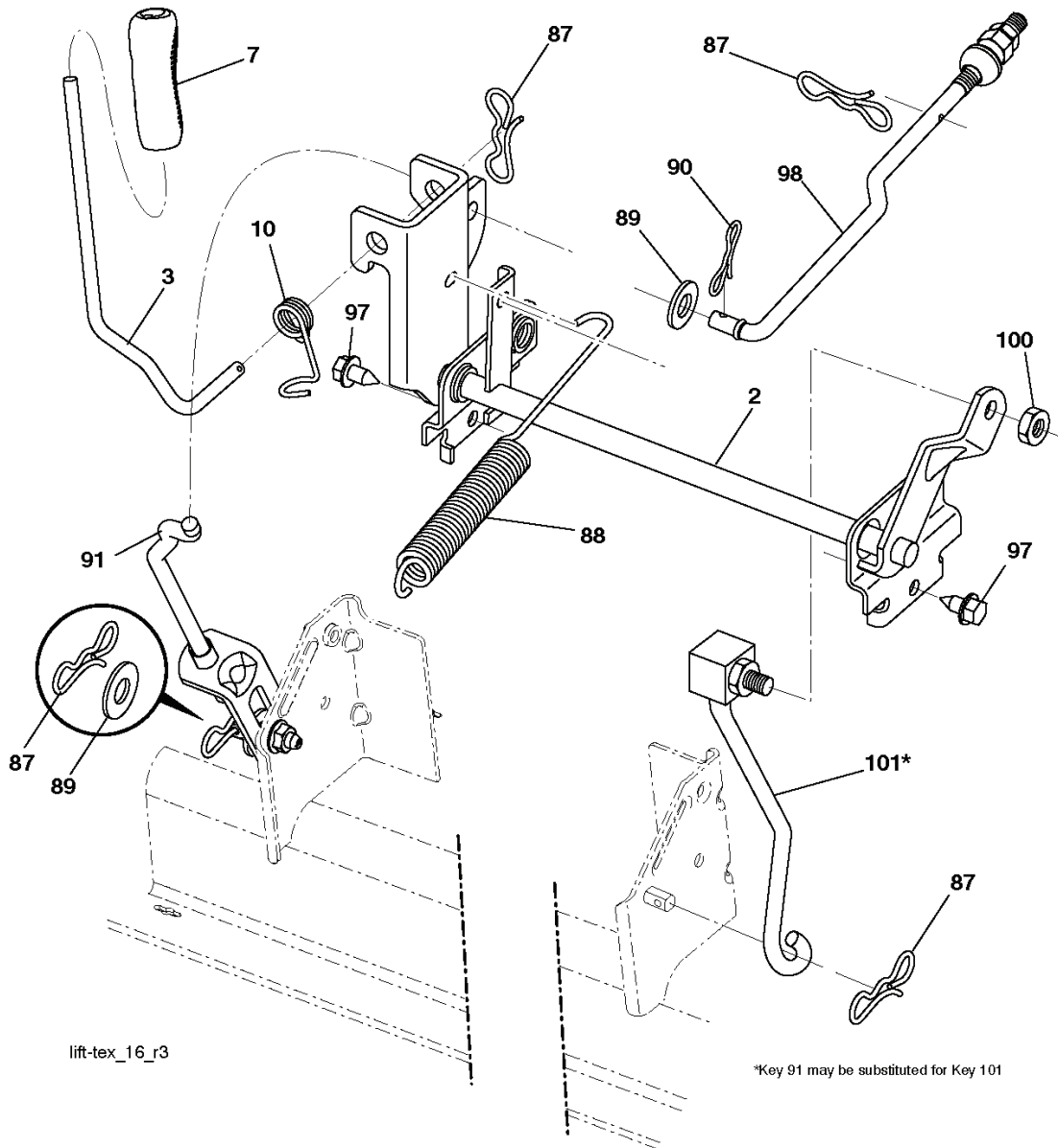


engine-tex_Kohl_6

REF.	PART NO.	DESCRIPTION	REMARK	QTY.	KIT
1				1	
2	532188655	MUFFLER		1	
9	532194319	BELT GUIDE		1	
12	532405140	PULLEY		1	
15	532407489	TANK FUEL		1	
18	532197725	PLUG		1	
20	532401508	THROTTLE CONTROL		1	
21	532416358	SCREW		1	
28	532401137	DURITE ESSENCE 20"		1	
29	532137180	SPARK ARRESTER KIT		1	
37	532123487	HOSE CLAMP		1	
42	810040700	WASHER		1	
45	873510400	NUT		1	
69	532185909	GASKET		1	
79	532192334	SCREW		1	
81	532148456	TUBE		1	
82	532181654	PLUG		1	
85	532173937	BOLT		1	
87	537171877	BOLT		1	
96	819091416	WASHER		1	
97	817670412	SCREW		1	
90	817000616	SCREW		1	
92	817120616	SCREW		1	
94	532188654	TUBE EXHAUST		1	

REF.	PART NO.	DESCRIPTION	REMARK	QTY.	KIT
1	532410863	MOWER HOUSING		1	
2	532405506	COVER	RH	1	
3	532405507	COVER	LH	1	
6	532195186	ARM		1	
7	532416358	SCREW		1	
8	532193003	SCREW		1	
11	532405380	RIDE ON BLADE		1	
13	532192872	SHAFT ASSY		1	
14	532187281	BEARING HOUSING		1	
15	532110485	BEARING		1	
19	532196539	BOLT		1	
21	873680500	NUT		1	
23	532192557	HINGE		1	
24	532105304	HUB CAP		1	
25	532197026	TORSION SPRING		1	
26	532110452	NUT		1	
27	532405357	DEFLECTOR		1	
29	532131491	SHAFT		1	
30	532173984	SCREW		1	
31	532187690	WASHER		1	
32	532197473	PULLEY		1	
33	532400234	NUT		1	
34	872110612	BOLT		1	
36	532197379	PULLEY		1	
37	819131316	WASHER		1	
38	532199189	BELT GUIDE		1	
40	873900600	NUT		1	
42	532198410	SPRING		1	
43	532197256	SPRING		1	
46	532137729	SCREW		1	
47	532197250	BRACKET		1	
55	532197249	ARM		1	
56	532199092	SPACER		1	
57	817000616	SCREW		1	
59	532141043	GUARD	94	1	
60	532199471	ARM	LH	1	
62	874520636	BOLT		1	
63	532199477	ARM		1	
64	532405138	LINKAGE.ASM.BRAKE.RAW *SUBS/2*		1	
67	532403012	HANDLE		1	
68	532405143	BELT		1	
69	872140505	BOLT		1	
70	532406563	CLUTCH		1	
113	817000510	BOLT		1	
116	532193406	BOLT		1	
117	532174873	WHEEL		1	
119	819132012	WASHER		1	
122	532197258	BELT GUIDE	LH	1	
123	532197259	BELT GUIDE	RH	1	
144	532199204	BELT GUIDE		1	
145	532193197	PULLEY		1	
147	532401872	SPRING		1	
152	532408319	CABLE		1	
188	532195161	STUD		1	
189	873900500	NUT		1	
195	817000612	SCREW		1	
197	819131312	WASHER		1	
198	532403149	PLATE		1	
199	532403150	PLATE		1	
200	532413524	WASHER		1	
241	532152927	SCREW		1	
242	532415598	HOSE COUPLING		1	
	532416405	COUPLING	NOT SHOWN	1	
	532192870	SPINDLE	"Includes housing, shaft assembly, and bearing only-pulley/nut/washer and blade bolt/washers not included"	1	
	532408478	REPLACEMENT MOWER, COMPLETE	NOT SHOWN	1	

TRACTOR -- MODEL NUMBER YTH20K46 (96043003302), PRODUCT NO. 960 43 00-33
MOWER LIFT

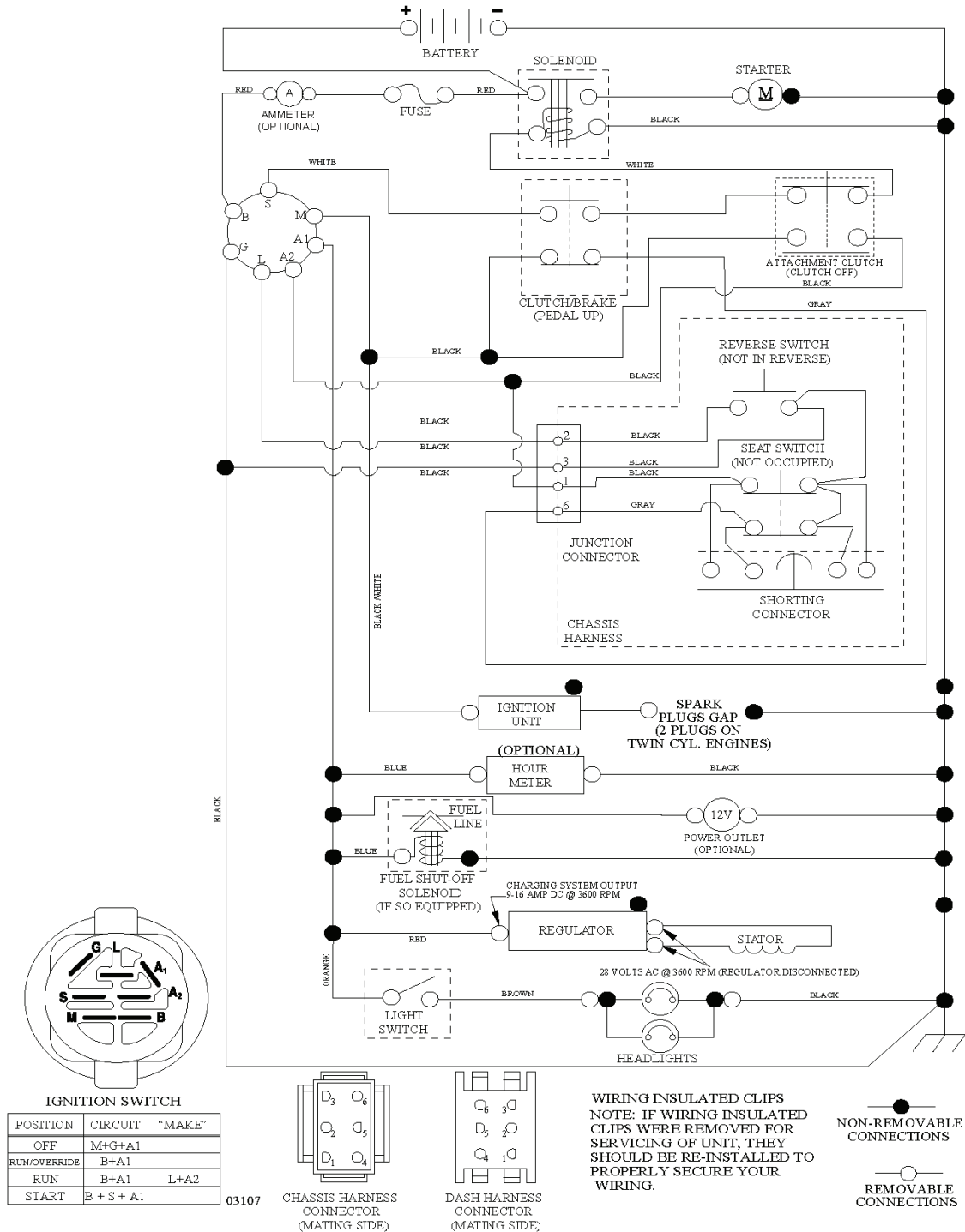


lift-tex_16_r3

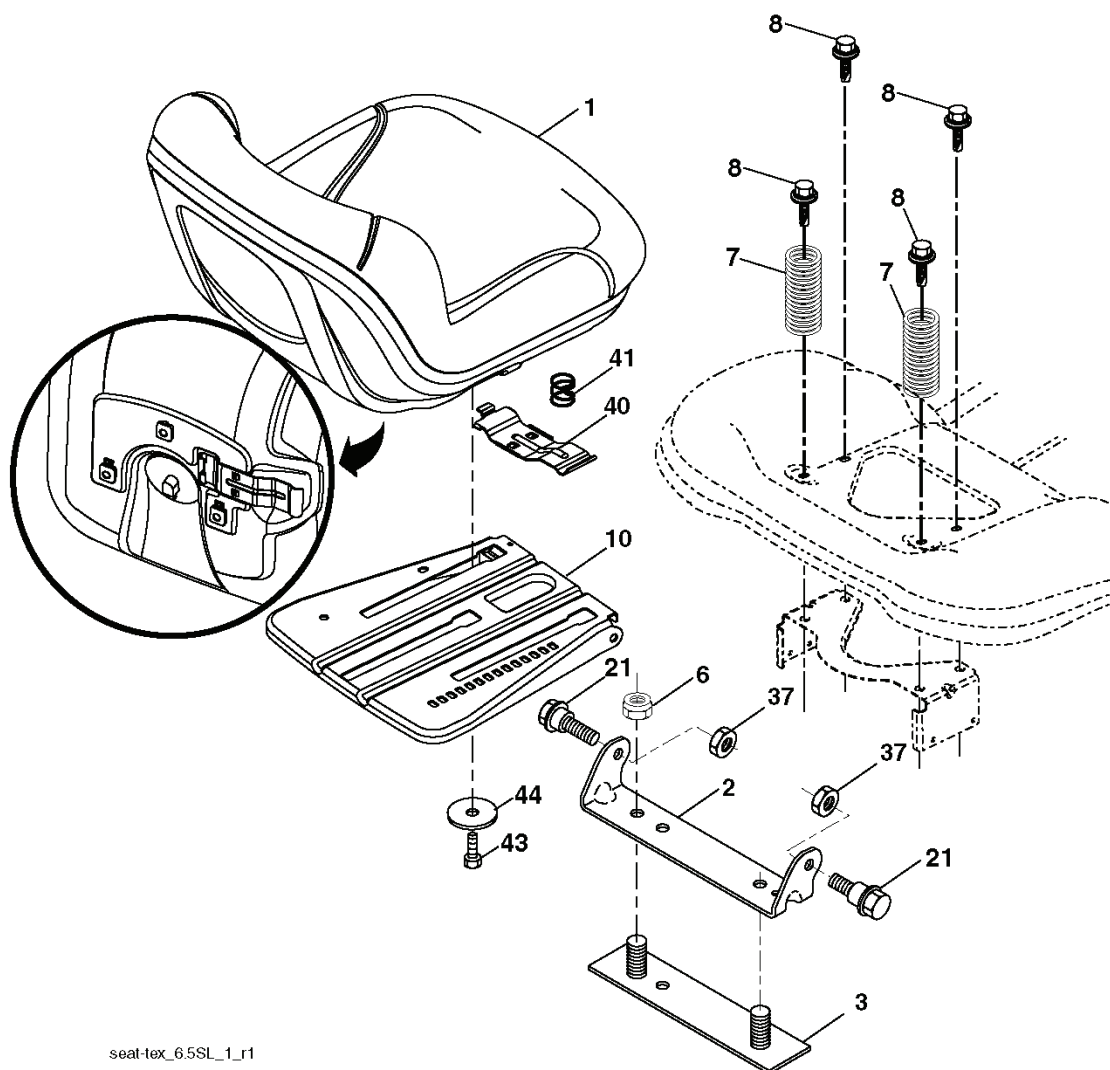
REF.	PART NO.	DESCRIPTION	REMARK	QTY.	KIT
2	532195223	SHAFT		1	
3	532195231	LEVER	RH	1	
7	532411555	GRIP		1	
10	532196314	SPRING		1	
87	532194209	SPRING		1	
88	532410710	SPRING		1	
89	819191912	WASHER		1	
90	532194208	PIN		1	
91	532195181	LINK		1	
97	817000612	SCREW		1	
98	532195270	LINK		1	
100	873930600	NUT		1	
101	532407003	LINK		1	

TRACTOR -- MODEL NUMBER YTH20K46 (96043003302), PRODUCT NO. 960 43 00-33 SCHEMATIC

SCH10



TRACTOR - - MODEL NUMBER YTH20K46 (96043003302), PRODUCT NO. 960 43 00-33
SEAT ASSEMBLY

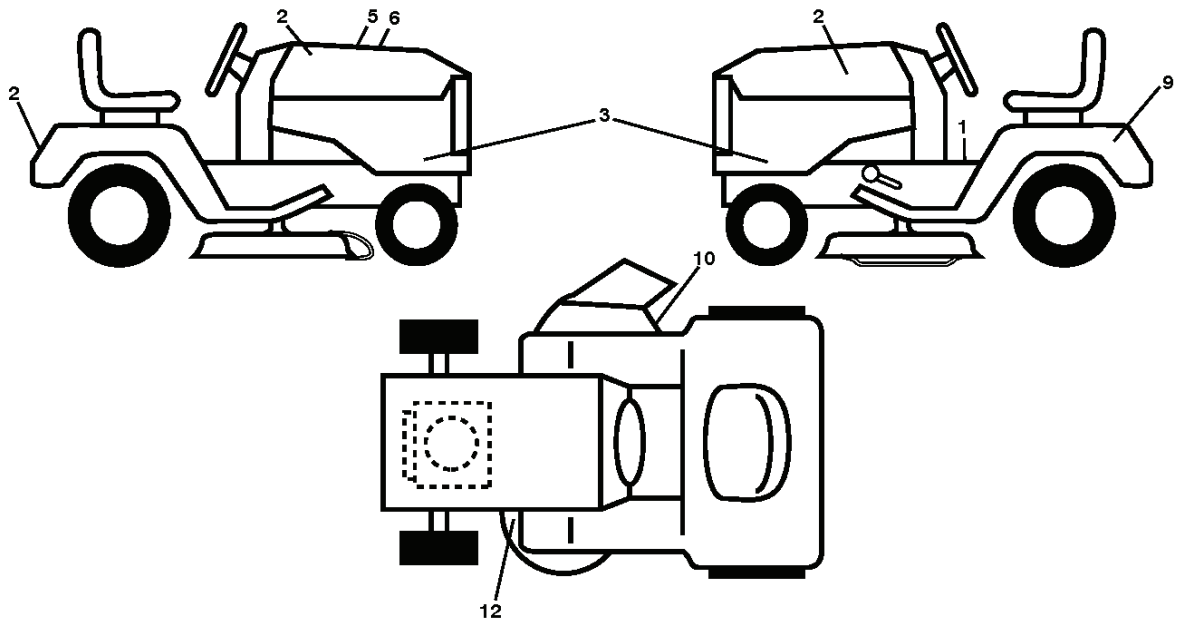


seat-tex_6.5SL_1_r1

REF.	PART NO.	DESCRIPTION	REMARK	QTY.	KIT
1	532406621	SEAT		1	
2	532180166	BRACKET		1	
3	532140675	STRAP		1	
6	873800600	NUT		1	
7	532124181	SPRING		1	
8	532171877	BOLT		1	
10	532196977	PLATE		1	
21	532171852	BOLT		1	
37	873800500	LOCK NUT		1	
40	532197661	HANDLE		1	
41	532198200	SPRING		1	
43	874760612	BOLT		1	
44	819133812	WASHER		1	

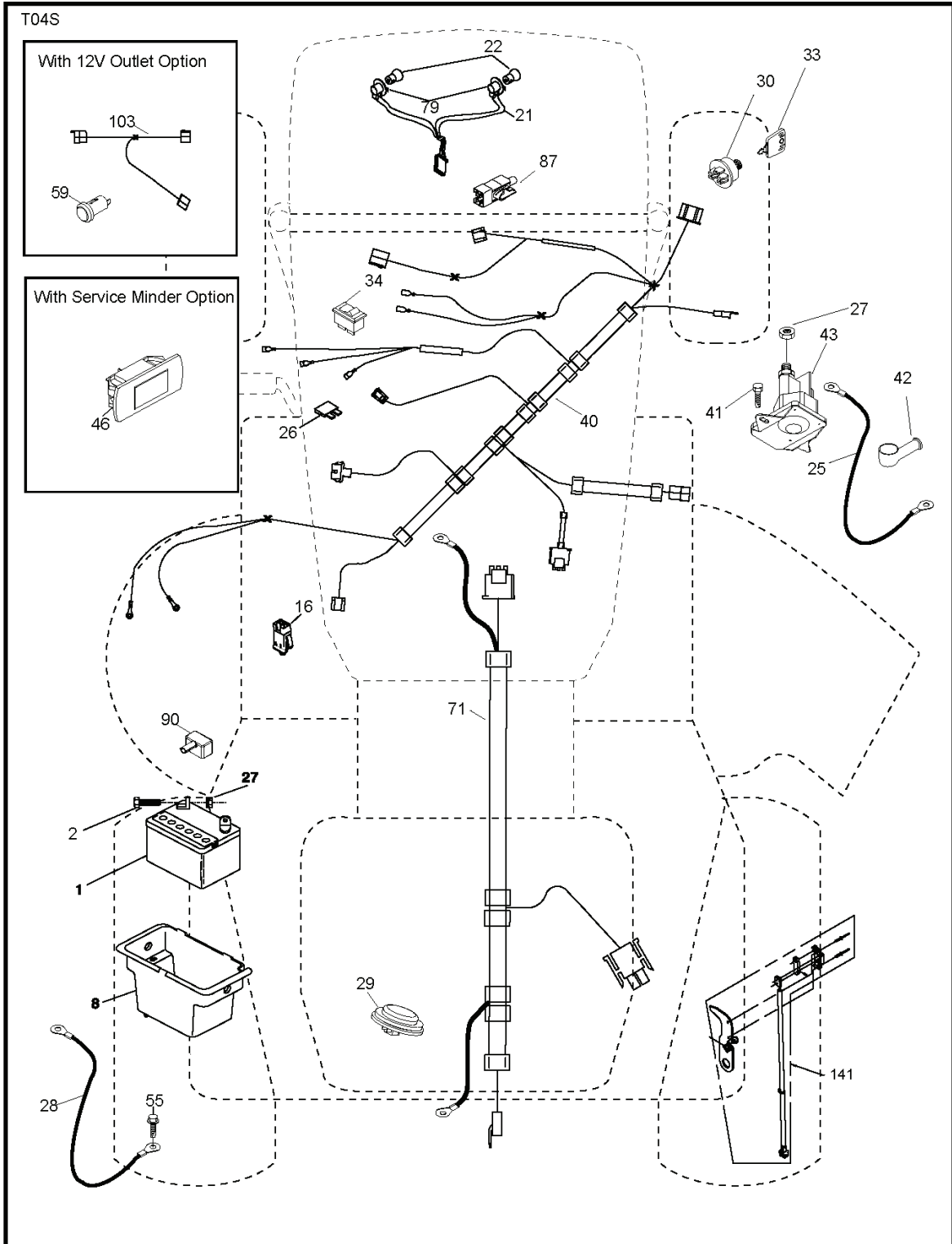
REF.	PART NO.	DESCRIPTION	REMARK	QTY.	KIT
3	532405012	LOGOTYPE		1	
5	532408703	DASH		1	
14	532411046	HOOD		1	
15	532198907	LENS	LH	1	
18	532408607	FRONT COVER		1	
25	532198906	LENS	RH	1	
34	532196125	PLATE		1	
36	817060512	SCREW		1	
37	532418714	FENDER		1	
52	873680500	NUT		1	
58	532412280	PLATE		1	
68	817490508	SCREW		1	
130	532416358	SCREW		1	
137	532407590	DAMPING PIECE		1	
138	532402954	HOLDER		1	
150	532198513	AIR CONDUCTOR		1	
152	532199535	SHIELD		1	
159	817000612	SCREW		1	
162	532142432	SCREW		1	
175	532196304	SUPPORT		1	
176	532400776	SCREW		1	
177	532195227	BUSHING		1	
178	532199782	NET		1	
180	532415063	FRAME		1	
181	532403025	BUSHING		1	
182	532406859	DASH		1	
183	874780520	BOLT		1	
189	817000512	SCREW		1	
194	873900500	NUT		1	
195	532404137	TROU*RPLPAR 532401556428		1	
196	532414580	CONSOLE		1	
202	532403048	LIST	RH	1	
203	532403076	LIST	LH	1	
204	532416613	COVER		1	
205	532401709	LIST	RH	1	
206	532401711	LIST	LH	1	
207	532197198	LENS	RH	1	
208	532197199	LENS	LH	1	
209	532199130	INSERT	RH	1	
210	532199131	INSERT	LH	1	
211	532199132	INSERT	RH	1	
212	532199133	INSERT	LH	1	
213	874760512	BOLT		1	
214	532199145	CLIP		1	
217	532409167	ROD		1	
218	532196395	PLATE		1	
228	532195161	STUD		1	
230	532170165	BOLT		1	
234	532404742	DAMPING PIECE		1	
235	532406129	SPACER		1	
236	873930500	NUT		1	
238	532408606	PLATE		1	
239	532110452	NUT		1	
287	817600406	SCREW		1	

**TRACTOR -- MODEL NUMBER YTH20K46 (96043003302), PRODUCT NO. 960 43 00-33
DECALS**



REF.	PART NO.	DESCRIPTION	REMARK	QTY.	KIT
1	532411658	DECAL		1	
2	532422012	DECAL		1	
3	532410108	DECAL		1	
5	532180941	DECAL		1	
6	532423497	DECAL		1	
9	532145005	DECAL		1	
10	532170563	DECALC."DANGER"		1	
12	532160396	DECAL		1	
	532166960	DECAL		1	
	532410805	PAD	LH	1	
	532410806	PAD, FOOTREST, RH	RH	1	

**TRACTOR -- MODEL NUMBER YTH20K46 (96043003302), PRODUCT NO. 960 43 00-33
ELECTRICAL**



REF.	PART NO.	DESCRIPTION	REMARK	QTY.	KIT
1	532163465	BATTERY		1	
2	874760412	BOLT		1	
8	532193228	BOX		1	
16	532176138	MICRO SWITCH		1	
21	532183759	HARNESS		1	
22	532004152	BULB		1	
25	532412895	CABLE.STARTER.GG/BL/RE*SUBS/2*		1	
26	532175158	FUSE		1	
27	873510400	NUT		1	
28	532198885	CABLE		1	
29	532401545	SWITCH		1	
30	532193350	IGNITION MODULE		1	
33	532411935	KEY		1	
34	532110712	SWITCH		1	
40	532400449	CABLE		1	
41	817720408	SCREW		1	
42	532131563	COVER		1	
43	532192507	SOLENOID		1	
46	532401763	DISPLAY		1	
55	817060512	SCREW		1	
71	532401098	CABLE		1	
79	532175242	HOLDER		1	
87	532197802	SWITCH		1	
90	532400725	COVER		1	
141	532416977	KIT	71677	1	
	PART NO.		REMARK		KIT