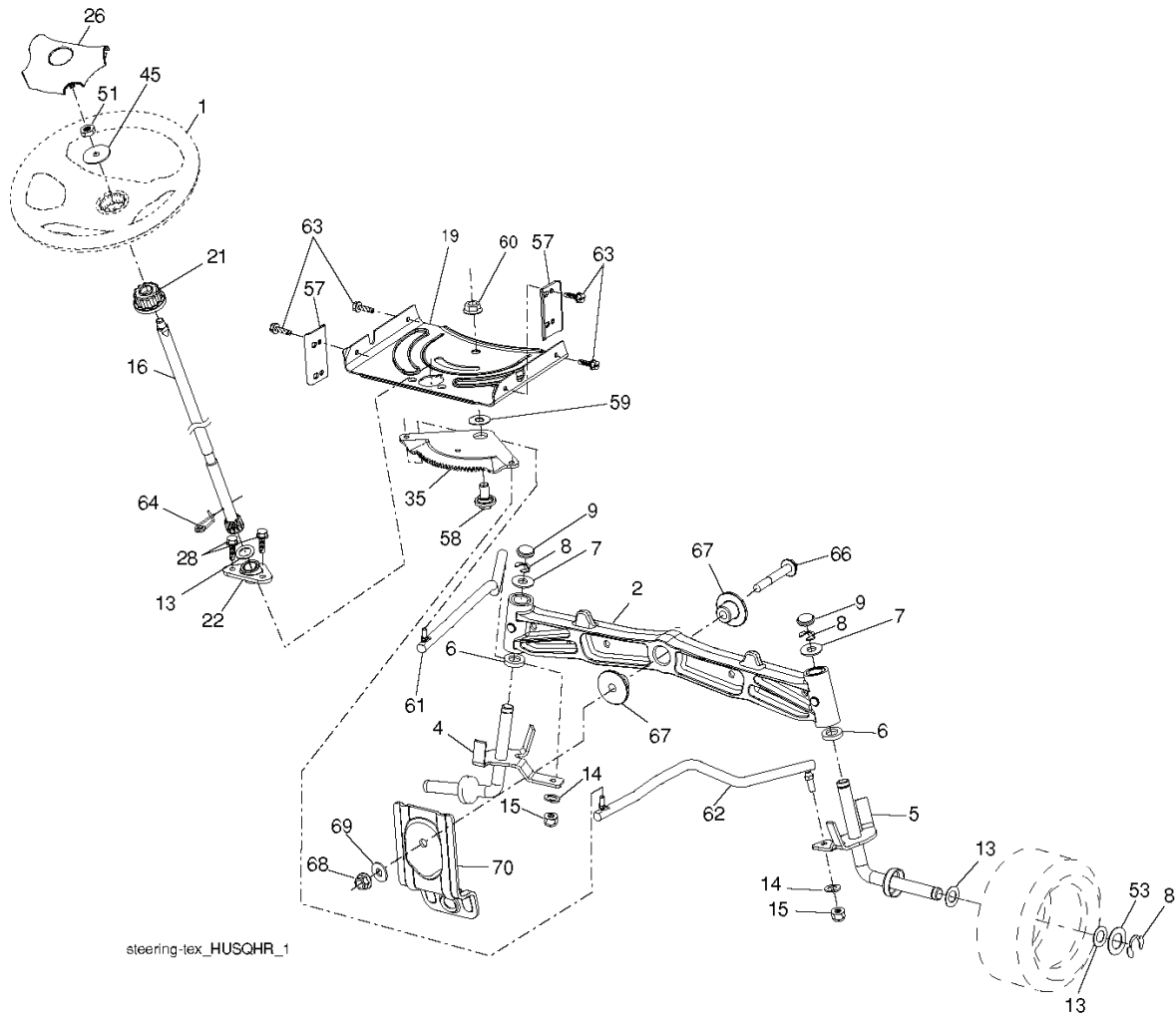


YTH21K46, 96045002101, 2010-06

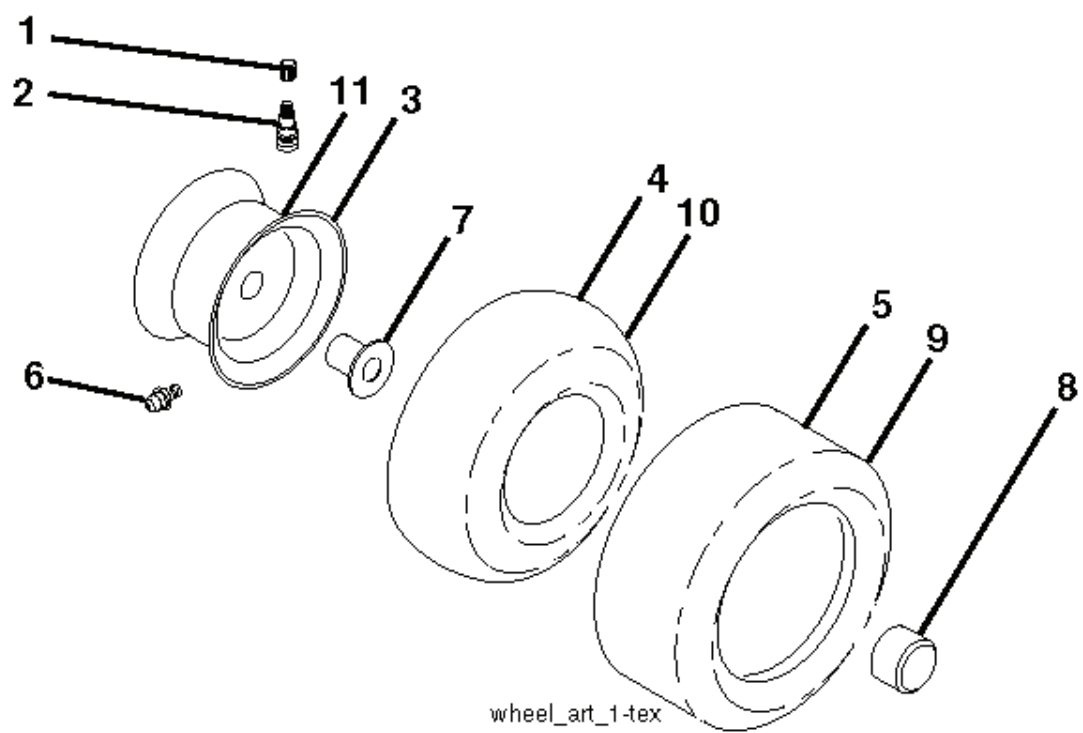
---

# **SPARE PARTS LIST**

**TRACTOR - - MODEL NUMBER YTH21K46 (96045002100), PRODUCT NO. 960 45 00-21  
STEERING ASSEMBLY**

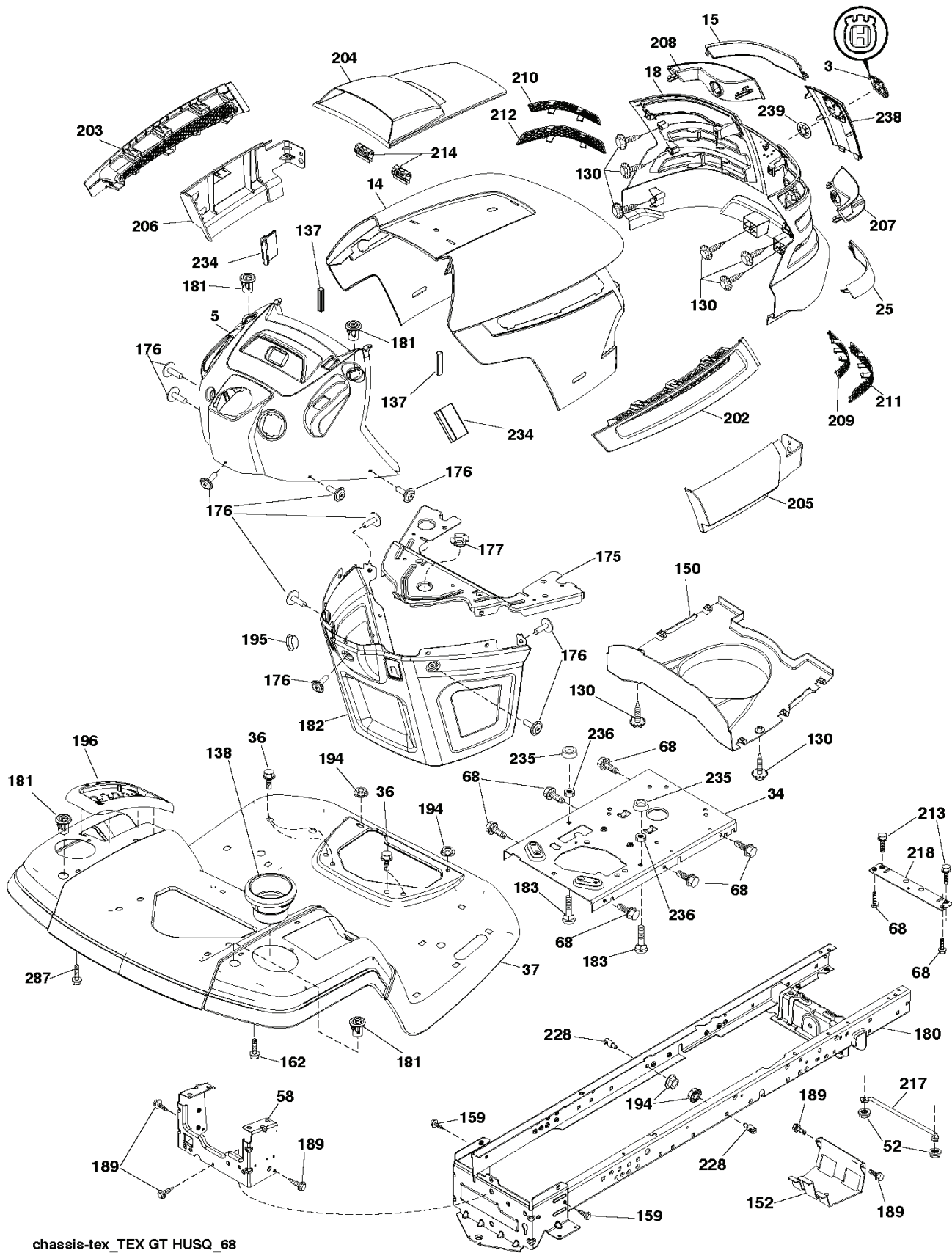


| REF. | PART NO.  | DESCRIPTION     | REMARK | QTY. | KIT |
|------|-----------|-----------------|--------|------|-----|
| 1    | 532416480 | STEERING WHEEL  |        | 1    |     |
| 2    | 532195968 | SHAFT           |        | 1    |     |
| 4    | 532403087 | SPINDLE         | LH     | 1    |     |
| 5    | 532403088 | SPINDLE         | RH     | 1    |     |
| 6    | 532124931 | WASHER          |        | 1    |     |
| 7    | 532121748 | WASHER          |        | 1    |     |
| 8    | 812000029 | RETAINER RING   |        | 1    |     |
| 9    | 532121232 | HUB CAP         |        | 1    |     |
| 13   | 532121749 | WASHER          |        | 1    |     |
| 14   | 810040600 | WASHER          |        | 1    |     |
| 15   | 873540600 | NUT             |        | 1    |     |
| 16   | 532408219 | SHAFT           |        | 1    |     |
| 19   | 532194729 | PLATE           |        | 1    |     |
| 21   | 532186737 | ADAPTER         |        | 1    |     |
| 22   | 532420537 | SUPPORT         |        | 1    |     |
| 26   | 532415987 | KNOB            |        | 1    |     |
| 28   | 817000612 | SCREW           |        | 1    |     |
| 35   | 532194732 | PLATE           |        | 1    |     |
| 45   | 819183812 | WASHER          |        | 1    |     |
| 51   | 873940800 | NUT             |        | 1    |     |
| 53   | 532188967 | WASHER          |        | 1    |     |
| 57   | 532407465 | BRACKET         |        | 1    |     |
| 58   | 532194747 | BOLT            |        | 1    |     |
| 59   | 532194748 | WASHER          |        | 1    |     |
| 60   | 873971000 | NUT             |        | 1    |     |
| 61   | 532194740 | LINK            | LH     | 1    |     |
| 62   | 532194741 | LINK            | RH     | 1    |     |
| 63   | 817000512 | SCREW           |        | 1    |     |
| 64   | 532199849 | SPRING RETAINER |        | 1    |     |
| 66   | 871020748 | BOLT            |        | 1    |     |
| 67   | 532194737 | BUSHING         |        | 1    |     |
| 68   | 873900700 | NUT             |        | 1    |     |
| 69   | 532199162 | WASHER          |        | 1    |     |
| 70   | 532196197 | BRACKET         |        | 1    |     |



---

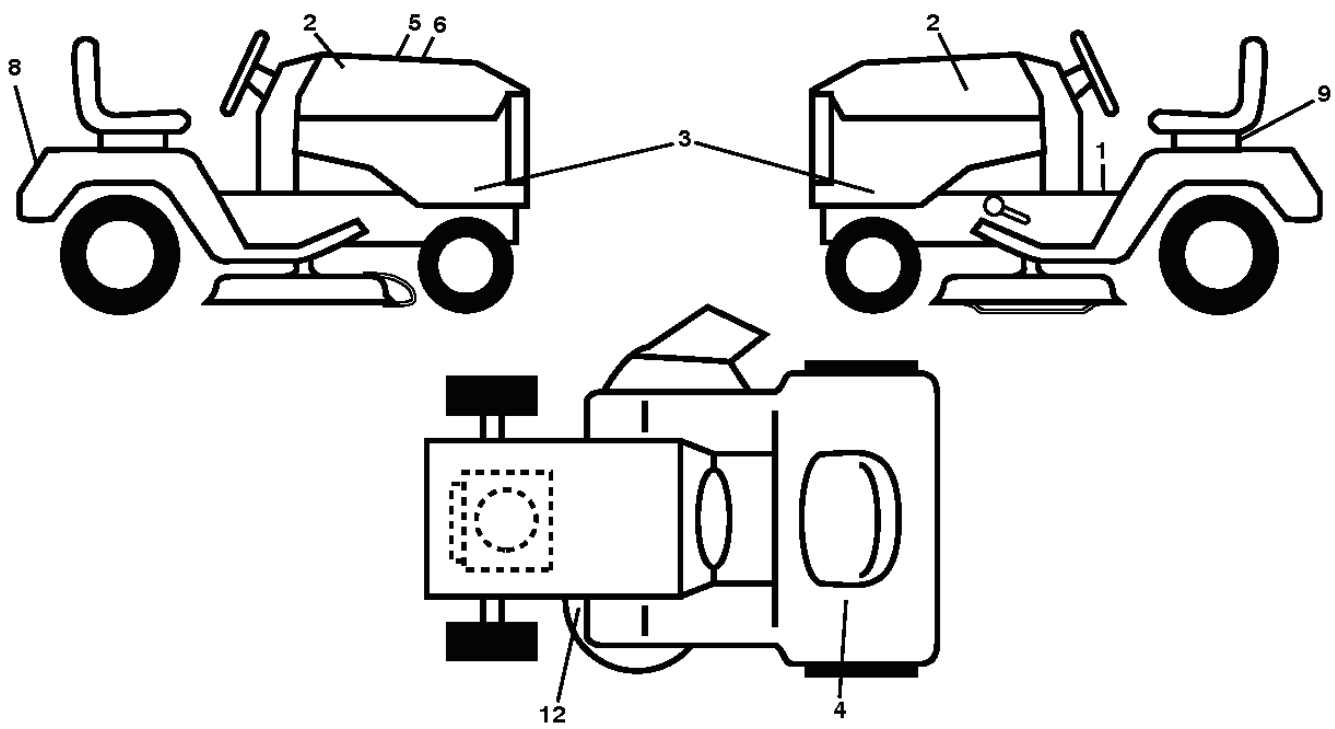
| REF. | PART NO.  | DESCRIPTION  | REMARK                    | QTY. | KIT |
|------|-----------|--------------|---------------------------|------|-----|
| 1    | 532059192 | CAP VALVE    |                           | 1    |     |
| 2    | 532065139 | NIPPLE       |                           | 1    |     |
| 3    | 532138336 | RIM          | Front                     | 1    |     |
| 4    | 532059904 | HOSE         | Front (Service Item Only) | 1    |     |
| 5    | 532106222 | TIRE         | Front 15 x 6.0-6          | 1    |     |
| 6    | 532124957 | FITTING      | (Front Wheel Only)        | 1    |     |
| 7    | 532124959 | BEARING      | (Front Wheel Only)        | 1    |     |
| 8    | 532175039 | HUB CAP      |                           | 1    |     |
| 9    | 532420531 | TIRE         | Rear 18 x 9.5-8           | 1    |     |
| 10   | 532124926 | HOSE         | Rear (Service Item Only)  | 1    |     |
| 11   | 532138337 | RIM SPROCKET | Rear 8"                   | 1    |     |
| --   | 532144334 | SEALING FOAM | "NOT SHOWN, 10 oz. Tube"  | 1    |     |



chassis-tex\_TEX GT HUSQ\_68

| REF. | PART NO.  | DESCRIPTION               | REMARK | QTY. | KIT |
|------|-----------|---------------------------|--------|------|-----|
| 3    | 532430771 | LOGOTYPE                  |        | 1    |     |
| 5    | 532408703 | DASH                      |        | 1    |     |
| 14   | 532411046 | HOOD                      |        | 1    |     |
| 15   | 532198907 | LENS                      | LH     | 1    |     |
| 18   | 532408607 | FRONT COVER               |        | 1    |     |
| 25   | 532198906 | LENS                      | RH     | 1    |     |
| 34   | 532196125 | PLATE                     |        | 1    |     |
| 36   | 817060512 | SCREW                     |        | 1    |     |
| 37   | 532418714 | FENDER                    |        | 1    |     |
| 52   | 873680500 | NUT                       |        | 1    |     |
| 58   | 532412280 | PLATE                     |        | 1    |     |
| 68   | 817490508 | SCREW                     |        | 1    |     |
| 130  | 532416358 | SCREW                     |        | 1    |     |
| 137  | 532407590 | DAMPING PIECE             |        | 1    |     |
| 138  | 532402954 | HOLDER                    |        | 1    |     |
| 150  | 532198513 | AIR CONDUCTOR             |        | 1    |     |
| 152  | 532199535 | SHIELD                    |        | 1    |     |
| 159  | 817000612 | SCREW                     |        | 1    |     |
| 162  | 532142432 | SCREW                     |        | 1    |     |
| 175  | 532196304 | SUPPORT                   |        | 1    |     |
| 176  | 532400776 | SCREW                     |        | 1    |     |
| 177  | 532195227 | BUSHING                   |        | 1    |     |
| 180  | 532415063 | FRAME                     |        | 1    |     |
| 181  | 532403025 | BUSHING                   |        | 1    |     |
| 182  | 532406859 | DASH                      |        | 1    |     |
| 183  | 874520520 | BOLT                      |        | 1    |     |
| 189  | 817000512 | SCREW                     |        | 1    |     |
| 194  | 873900500 | NUT                       |        | 1    |     |
| 195  | 532404137 | TROU*RPL.PAR 532401556428 |        | 1    |     |
| 196  | 532414580 | CONSOLE                   |        | 1    |     |
| 202  | 532403048 | LIST                      | RH     | 1    |     |
| 203  | 532403076 | LIST                      | LH     | 1    |     |
| 204  | 532416613 | COVER                     |        | 1    |     |
| 205  | 532401709 | LIST                      | RH     | 1    |     |
| 206  | 532401711 | LIST                      | LH     | 1    |     |
| 207  | 532197198 | LENS                      | RH     | 1    |     |
| 208  | 532197199 | LENS                      | LH     | 1    |     |
| 209  | 532199130 | INSERT                    | RH     | 1    |     |
| 210  | 532199131 | INSERT                    | LH     | 1    |     |
| 211  | 532199132 | INSERT                    | RH     | 1    |     |
| 212  | 532199133 | INSERT                    | LH     | 1    |     |
| 213  | 874760512 | BOLT                      |        | 1    |     |
| 214  | 532199145 | CLIP                      |        | 1    |     |
| 217  | 532409167 | ROD                       |        | 1    |     |
| 218  | 532196395 | PLATE                     |        | 1    |     |
| 228  | 532195161 | STUD                      |        | 1    |     |
| 234  | 532404742 | DAMPING PIECE             |        | 1    |     |
| 235  | 532406129 | SPACER                    |        | 1    |     |
| 236  | 873930500 | NUT                       |        | 1    |     |
| 238  | 532408606 | PLATE                     |        | 1    |     |
| 239  | 532110452 | NUT                       |        | 1    |     |
| 287  | 817600406 | SCREW                     |        | 1    |     |



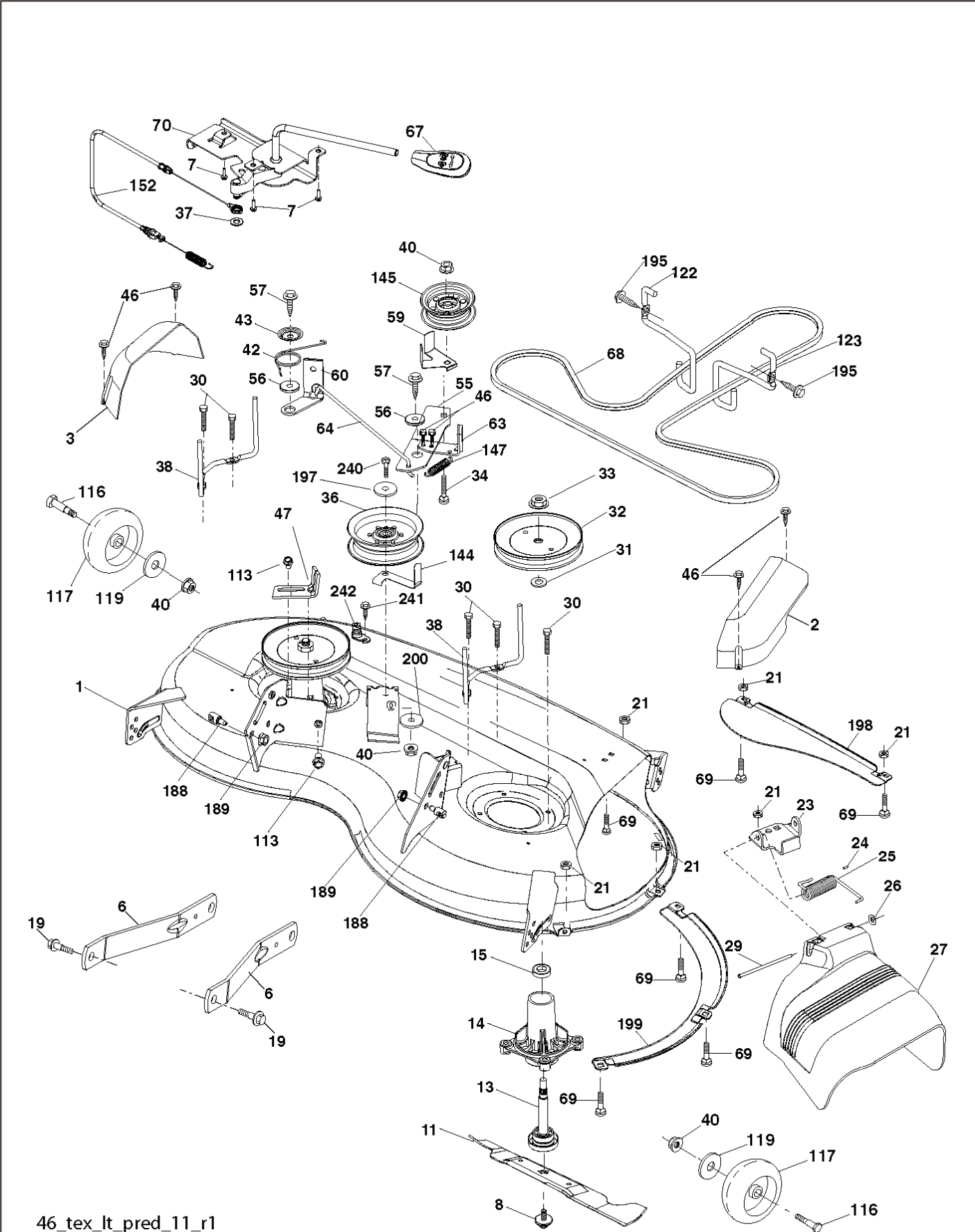


---

| REF. | PART NO.  | DESCRIPTION              | REMARK          | QTY. | KIT |
|------|-----------|--------------------------|-----------------|------|-----|
| 1    | 532419138 | DECAL                    |                 | 1    |     |
| 2    | 532424789 | DECAL                    |                 | 1    |     |
| 3    | 532430117 | PLATE, OUTER HEIGHT, RED |                 | 1    |     |
| 4    | 532423830 | DECAL                    |                 | 1    |     |
| 5    | 532423829 | DECAL                    |                 | 1    |     |
| 6    | 532437069 | DECAL                    |                 | 1    |     |
| 8    | 532191554 | DECAL                    |                 | 1    |     |
| 9    | 532145005 | DECAL                    |                 | 1    |     |
| 12   | 532160396 | DECAL                    |                 | 1    |     |
| --   | 532166960 | DECAL                    | NOT SHOWN       | 1    |     |
| --   | 532410805 | PAD                      | "NOT SHOWN, LH" | 1    |     |
| --   | 532410806 | PAD, FOOTREST, RH        | "NOT SHOWN, RH" | 1    |     |

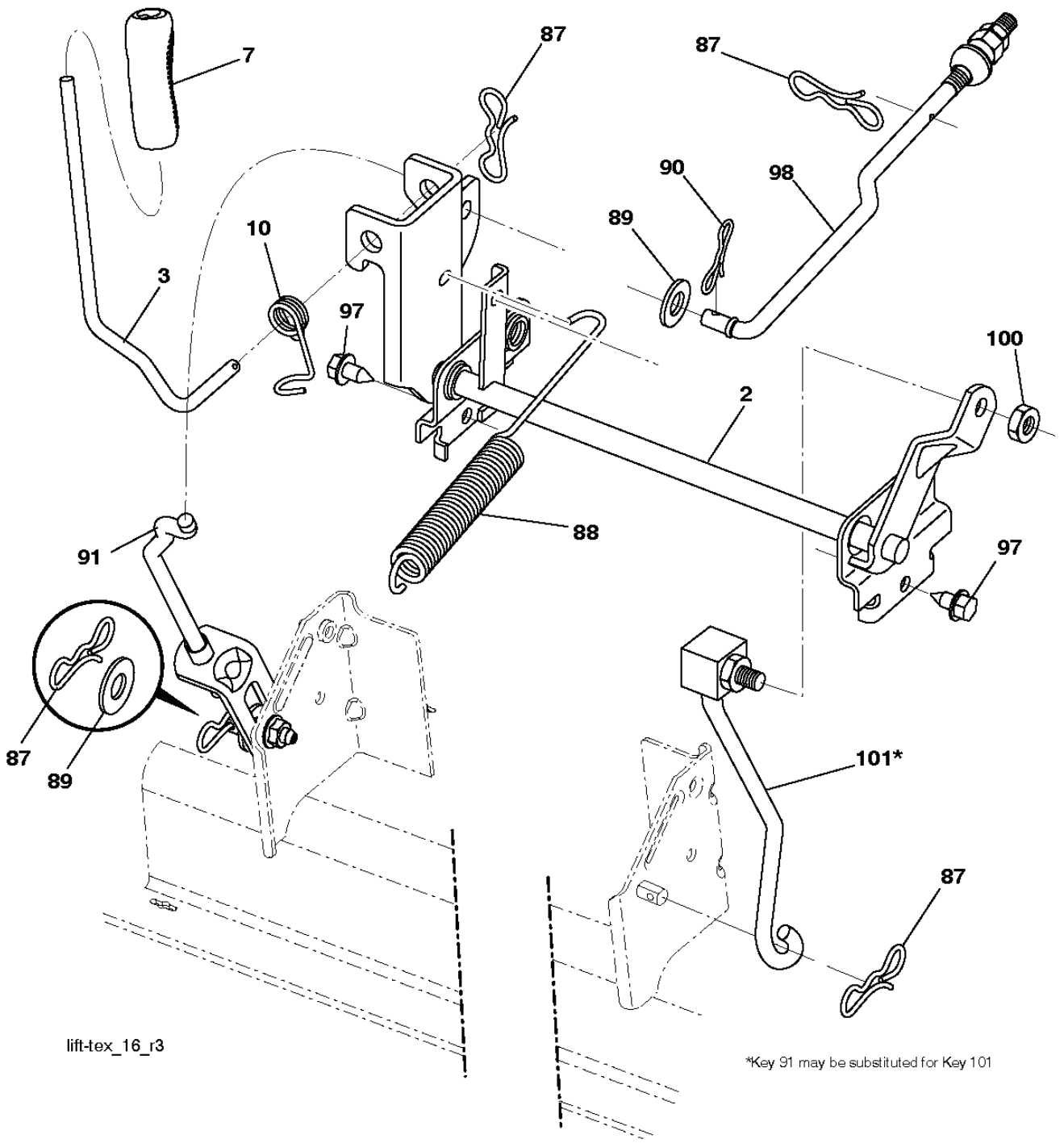


| REF. | PART NO.  | DESCRIPTION                    | REMARK | QTY. | KIT |
|------|-----------|--------------------------------|--------|------|-----|
| 1    | 532163465 | BATTERY                        |        | 1    |     |
| 2    | 874760412 | BOLT                           |        | 1    |     |
| 8    | 532193228 | BOX                            |        | 1    |     |
| 16   | 532176138 | MICRO SWITCH                   |        | 1    |     |
| 21   | 532400252 | HARNESS                        |        | 1    |     |
| 22   | 532004152 | BULB                           |        | 1    |     |
| 25   | 532412895 | CABLE.STARTER.GG/BL/RE*SUBS/2* |        | 1    |     |
| 26   | 532175158 | FUSE                           |        | 1    |     |
| 27   | 873510400 | NUT                            |        | 1    |     |
| 28   | 532198885 | CABLE                          |        | 1    |     |
| 29   | 532401545 | SWITCH                         |        | 1    |     |
| 30   | 532193350 | IGNITION MODULE                |        | 1    |     |
| 33   | 532411933 | KEY                            |        | 1    |     |
| 34   | 532110712 | SWITCH                         |        | 1    |     |
| 40   | 532401098 | CABLE                          |        | 1    |     |
| 41   | 817720408 | SCREW                          |        | 1    |     |
| 42   | 532131563 | COVER                          |        | 1    |     |
| 43   | 532192507 | SOLENOID                       |        | 1    |     |
| 46   | 532401763 | DISPLAY                        |        | 1    |     |
| 55   | 817060512 | SCREW                          |        | 1    |     |
| 71   | 532400449 | CABLE                          |        | 1    |     |
| 79   | 532175242 | HOLDER                         |        | 1    |     |
| 87   | 532197802 | SWITCH                         |        | 1    |     |
| 90   | 532400725 | COVER                          |        | 1    |     |
| 141  | 532416977 | KIT                            |        | 1    |     |



46\_tex\_lt\_pred\_11\_r1

| REF. | PART NO.  | DESCRIPTION                    | REMARK   | QTY. | KIT |
|------|-----------|--------------------------------|--|------|-----|
| 1    | 532410863 | MOWER HOUSING                  |  | 1    |     |
| 2    | 532405506 | COVER                          | LH   | 1    |     |
| 3    | 532405507 | COVER                          | RH   | 1    |     |
| 6    | 532195186 | ARM                            |  | 1    |     |
| 7    | 532416358 | SCREW                          |  | 1    |     |
| 8    | 532193003 | SCREW                          |  | 1    |     |
| 11   | 532405380 | RIDE ON BLADE                  |  | 1    |     |
| 12   | 532403107 | RIDE ON BLADE                  |  | 1    |     |
| 13   | 532192872 | SHAFT ASSY                     |  | 1    |     |
| 14   | 532187281 | BEARING HOUSING                |  | 1    |     |
| 15   | 532110485 | BEARING                        |  | 1    |     |
| 19   | 532196539 | BOLT                           |  | 1    |     |
| 21   | 873680500 | NUT                            |  | 1    |     |
| 23   | 532192557 | HINGE                          |  | 1    |     |
| 24   | 532105304 | HUB CAP                        |  | 1    |     |
| 25   | 532197026 | TORSION SPRING                 |  | 1    |     |
| 26   | 532110452 | NUT                            |  | 1    |     |
| 27   | 532405357 | DEFLECTOR                      |  | 1    |     |
| 29   | 532131491 | SHAFT                          |  | 1    |     |
| 30   | 532173984 | SCREW                          |  | 1    |     |
| 31   | 532187690 | WASHER                         |  | 1    |     |
| 32   | 532197473 | PULLEY                         |  | 1    |     |
| 33   | 532400234 | NUT                            |  | 1    |     |
| 34   | 872110612 | BOLT                           |  | 1    |     |
| 36   | 532197379 | PULLEY                         |  | 1    |     |
| 37   | 819131316 | WASHER                         |  | 1    |     |
| 38   | 532432520 | KEEPER                         |  | 1    |     |
| 40   | 873900600 | NUT                            |  | 1    |     |
| 42   | 532198410 | SPRING                         |  | 1    |     |
| 43   | 532197256 | SPRING                         |  | 1    |     |
| 46   | 532137729 | SCREW                          |  | 1    |     |
| 47   | 532197250 | BRACKET                        |  | 1    |     |
| 55   | 532197249 | ARM                            |  | 1    |     |
| 56   | 532199092 | SPACER                         |  | 1    |     |
| 57   | 817000616 | SCREW                          |  | 1    |     |
| 59   | 532141043 | GUARD                          | 94   | 1    |     |
| 60   | 532199471 | ARM                            | LH   | 1    |     |
| 63   | 532199477 | ARM                            |  | 1    |     |
| 64   | 532405138 | LINKAGE.ASM.BRAKE.RAW *SUBS/2* |  | 1    |     |
| 67   | 532403012 | HANDLE                         |  | 1    |     |
| 68   | 532405143 | BELT                           |  | 1    |     |
| 69   | 872140505 | BOLT                           |  | 1    |     |
| 70   | 532406563 | CLUTCH                         |  | 1    |     |
| 113  | 817000510 | BOLT                           |  | 1    |     |
| 116  | 532193406 | BOLT                           |  | 1    |     |
| 117  | 532174873 | WHEEL                          |  | 1    |     |
| 119  | 819132012 | WASHER                         |  | 1    |     |
| 122  | 532197258 | BELT GUIDE                     | LH   | 1    |     |
| 123  | 532197259 | BELT GUIDE                     | RH   | 1    |     |
| 144  | 532199204 | BELT GUIDE                     |  | 1    |     |
| 145  | 532193197 | PULLEY                         |  | 1    |     |
| 147  | 532401872 | SPRING                         |  | 1    |     |
| 152  | 532435110 | CABLE                          |  | 1    |     |
| 188  | 532195161 | STUD                           |  | 1    |     |
| 189  | 873900500 | NUT                            |  | 1    |     |
| 195  | 817000612 | SCREW                          |  | 1    |     |
| 197  | 819131312 | WASHER                         |  | 1    |     |
| 198  | 532403149 | PLATE                          |  | 1    |     |
| 199  | 532403150 | PLATE                          | RH   | 1    |     |
| 200  | 532413524 | WASHER                         |  | 1    |     |
| 240  | 874520636 | BOLT                           |  | 1    |     |
| 241  | 532152927 | SCREW                          |  | 1    |     |
| 242  | 532415598 | HOSE COUPLING                  |  | 1    |     |
| --   | 532416405 | COUPLING                       | NOT SHOWN  | 1    |     |
| --   | 532192870 | SPINDLE                        | *Includes housing, shaft assembly, and bearing only - pulley/nut/washer and blade bolt/washers not included* | 1    |     |
| --   | 532431823 | DECK                           | NOT SHOWN  | 1    |     |



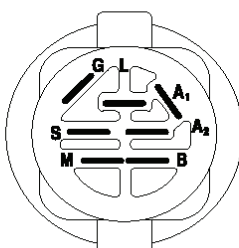
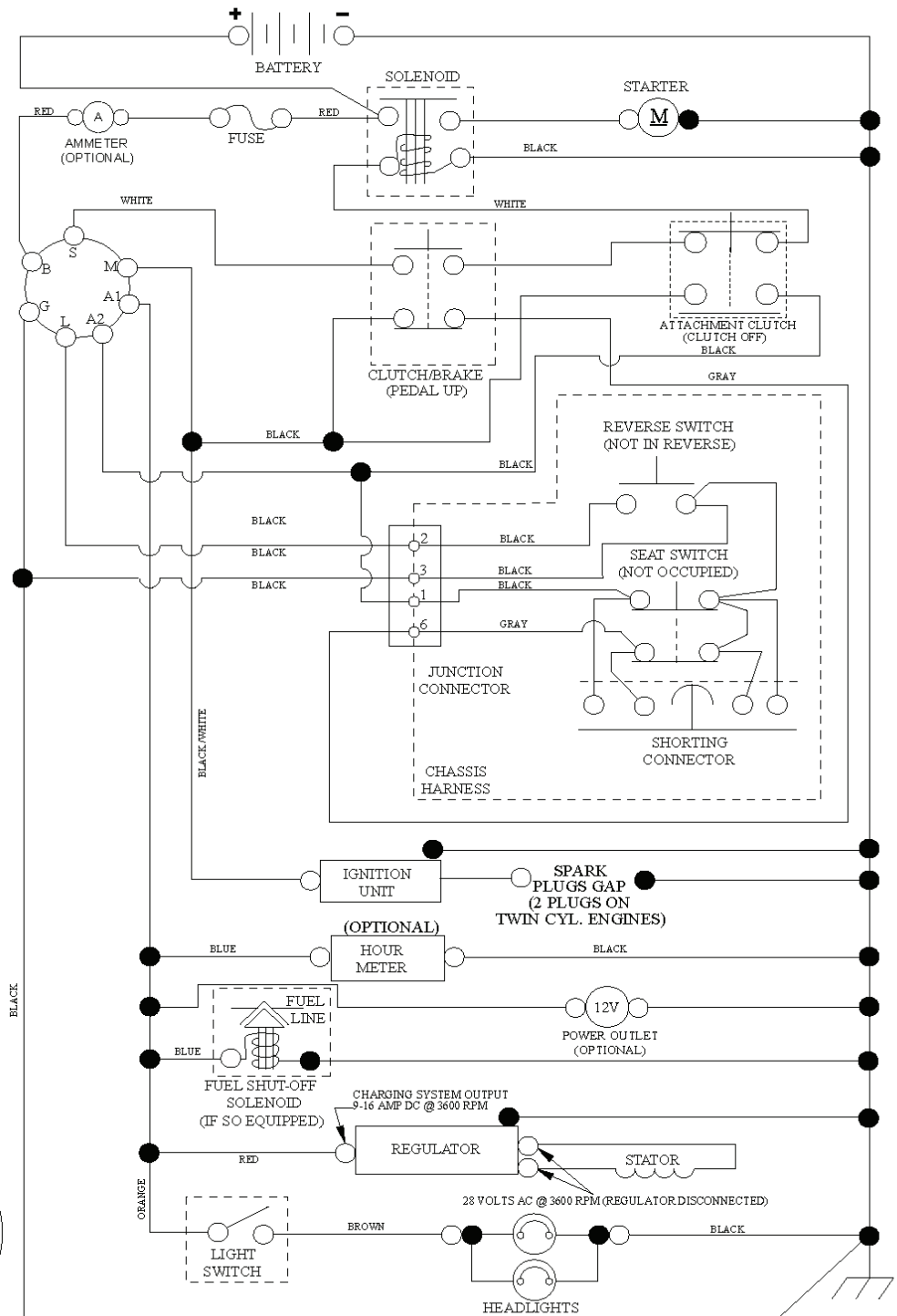
lift-tex\_16\_r3

\*Key 91 may be substituted for Key 101

---

| REF. | PART NO.  | DESCRIPTION | REMARK | QTY. | KIT |
|------|-----------|-------------|--------|------|-----|
| 2    | 532422027 | SHAFT       | RH     | 1    |     |
| 3    | 532195231 | LEVER       | RH     | 1    |     |
| 7    | 532411555 | GRIP        |        | 1    |     |
| 10   | 532196314 | SPRING      |        | 1    |     |
| 87   | 532194209 | SPRING      |        | 1    |     |
| 88   | 532410710 | SPRING      |        | 1    |     |
| 89   | 819191912 | WASHER      |        | 1    |     |
| 90   | 532194208 | PIN         |        | 1    |     |
| 91   | 532195181 | LINK        |        | 1    |     |
| 97   | 817000612 | SCREW       |        | 1    |     |
| 98   | 532195270 | LINK        |        | 1    |     |
| 100  | 873930600 | NUT         |        | 1    |     |
| 101  | 532407003 | LINK        |        | 1    |     |

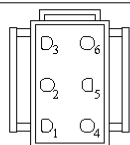




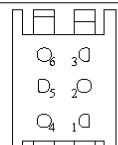
IGNITION SWITCH

| POSITION     | CIRCUIT    | "MAKE" |
|--------------|------------|--------|
| OFF          | M+G+A1     |        |
| RUN/OVERRIDE | B+A1       |        |
| RUN          | B+A1       | L+A2   |
| START        | B + S + A1 |        |

03107



CHASSIS HARNESS CONNECTOR (MATING SIDE)



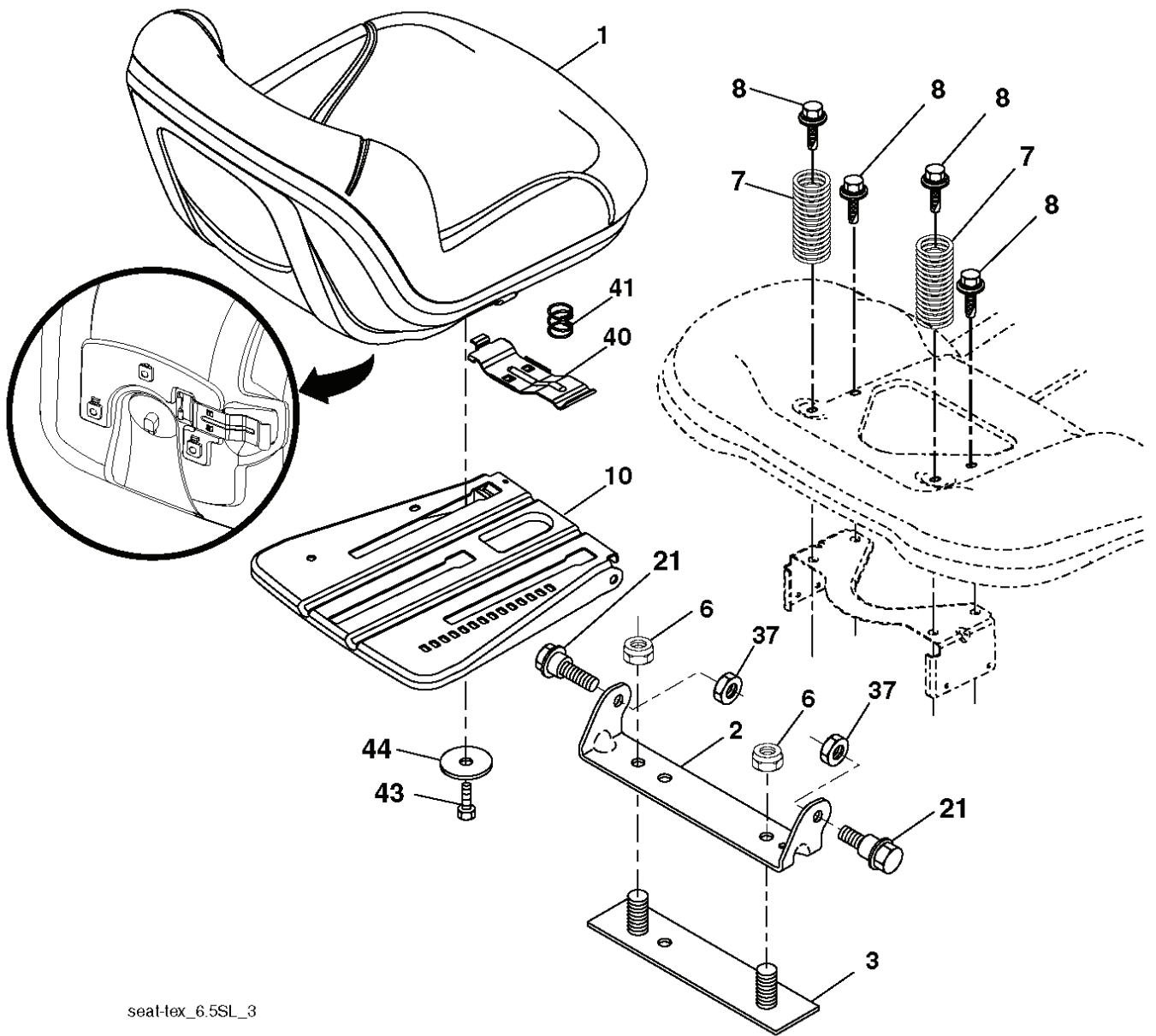
DASH HARNESS CONNECTOR (MATING SIDE)

WIRING INSULATED CLIPS  
NOTE: IF WIRING INSULATED CLIPS WERE REMOVED FOR SERVICING OF UNIT, THEY SHOULD BE RE-INSTALLED TO PROPERLY SECURE YOUR WIRING.

● NON-REMOVABLE CONNECTIONS

○ REMOVABLE CONNECTIONS

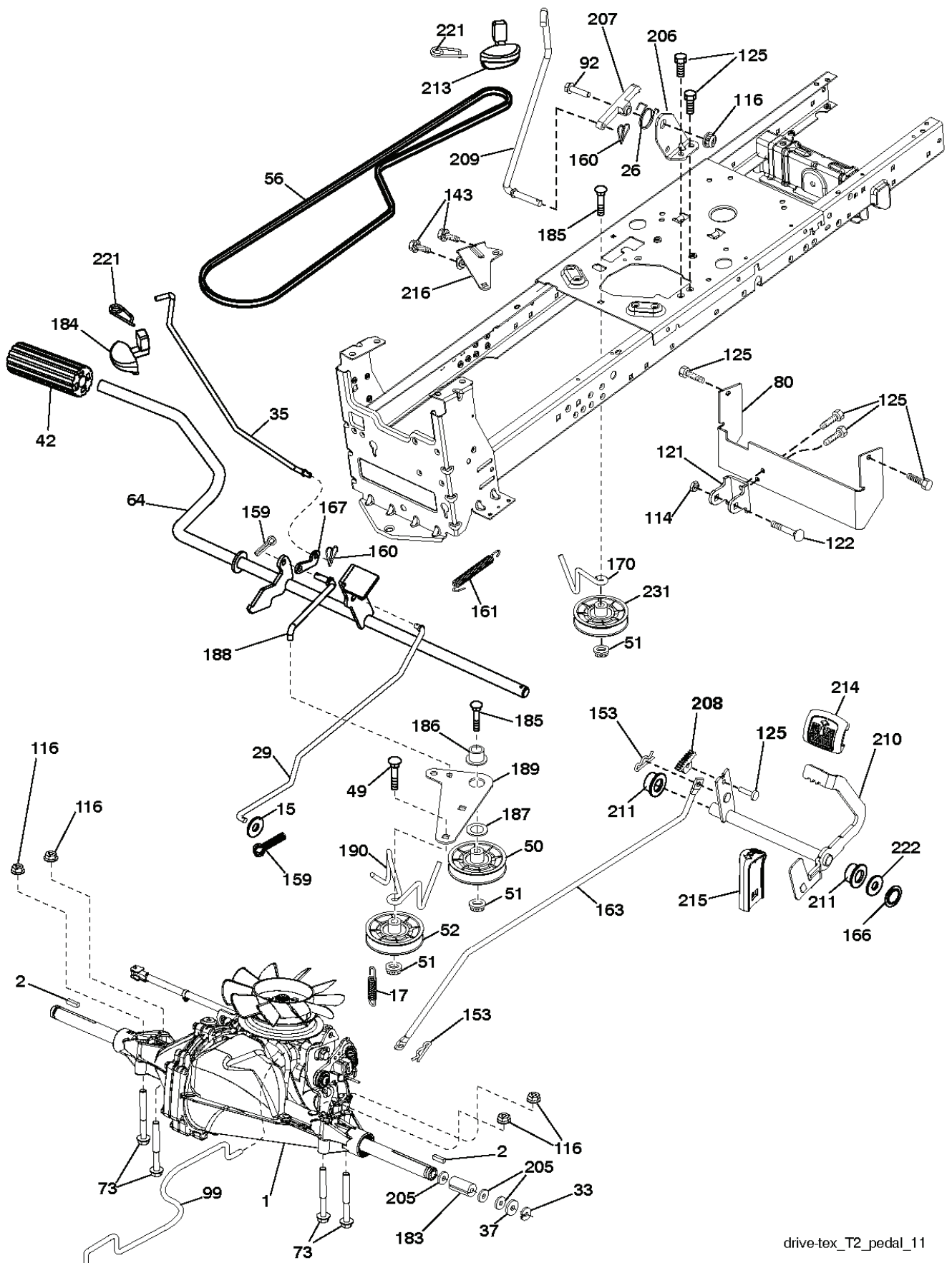




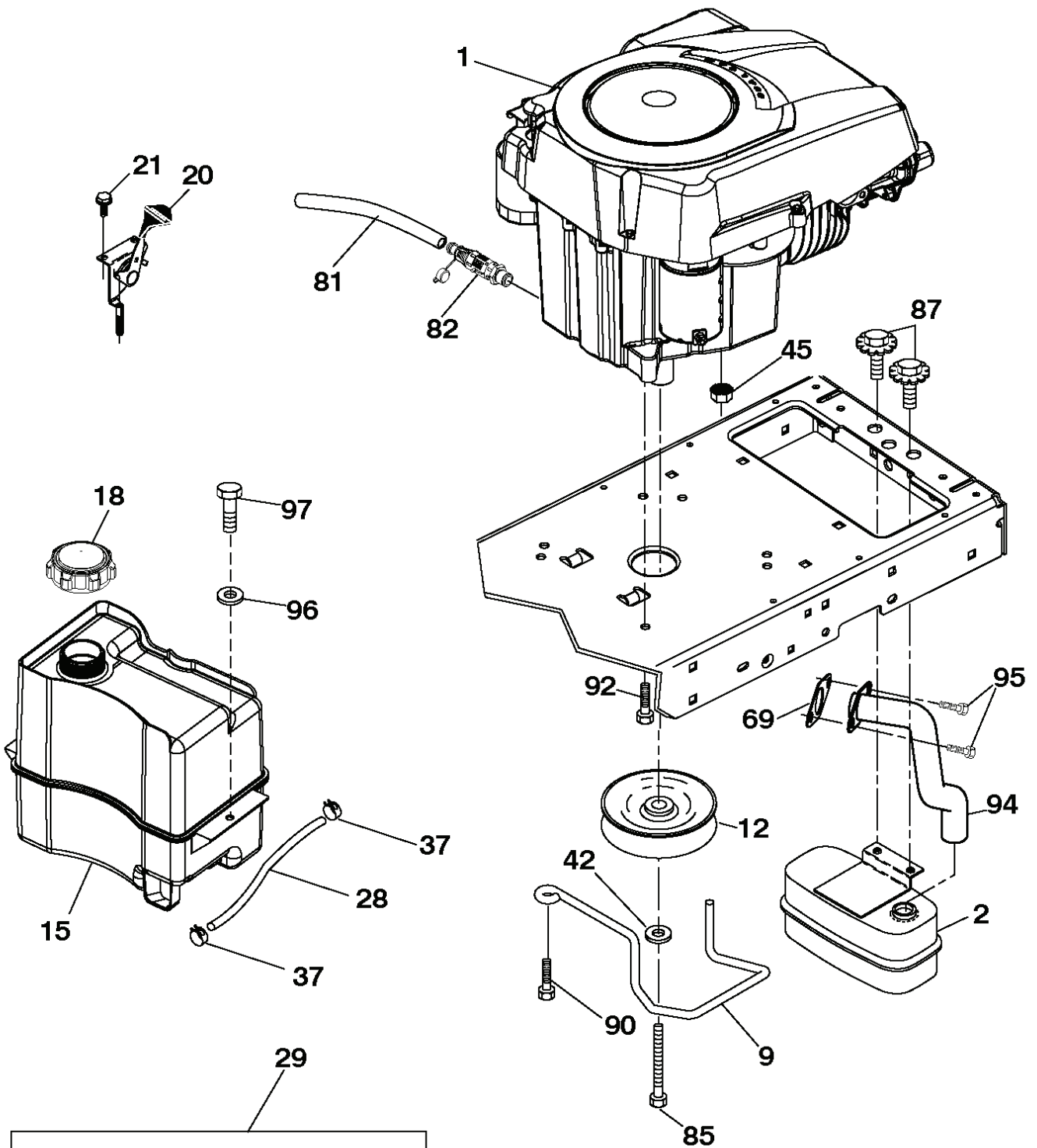
seaHex\_6.5SL\_3

---

| REF. | PART NO.  | DESCRIPTION | REMARK | QTY. | KIT |
|------|-----------|-------------|--------|------|-----|
| 1    | 532424068 | SEAT        |        | 1    |     |
| 2    | 532180166 | BRACKET     |        | 1    |     |
| 3    | 532140675 | STRAP       |        | 1    |     |
| 6    | 873800600 | NUT         |        | 1    |     |
| 7    | 532124181 | SPRING      |        | 1    |     |
| 8    | 532171877 | BOLT        |        | 1    |     |
| 10   | 532196977 | PLATE       |        | 1    |     |
| 21   | 532171852 | BOLT        |        | 1    |     |
| 37   | 873800500 | LOCK NUT    |        | 1    |     |
| 40   | 532197661 | HANDLE      |        | 1    |     |
| 41   | 532198200 | SPRING      |        | 1    |     |
| 43   | 874760612 | BOLT        |        | 1    |     |
| 44   | 819133812 | WASHER      |        | 1    |     |



| REF. | PART NO.  | DESCRIPTION                    | REMARK                                | QTY. | KIT |
|------|-----------|--------------------------------|---------------------------------------|------|-----|
| 1    | 000000000 | W/O DESCRIPTION                | TRANSAXLE HYDRO T2-<br>AABC-1X2B-1GX1 | 1    |     |
| 2    | 532123583 | KEY                            |                                       | 1    |     |
| 15   | 819131316 | WASHER                         |                                       | 1    |     |
| 17   | 532413678 | SRPING.BRAKE.K46.GREEN*SUBS/2* |                                       | 1    |     |
| 26   | 532199679 | SPRING                         |                                       | 1    |     |
| 29   | 532423239 | ROD                            |                                       | 1    |     |
| 33   | 812000001 | RETAINER RING                  |                                       | 1    |     |
| 35   | 532199591 | ROD                            |                                       | 1    |     |
| 37   | 532121749 | WASHER                         |                                       | 1    |     |
| 42   | 532124872 | PEDAL RUBBER                   |                                       | 1    |     |
| 49   | 872110614 | BOLT                           |                                       | 1    |     |
| 50   | 532194327 | PULLEY                         |                                       | 1    |     |
| 51   | 873900600 | NUT                            |                                       | 1    |     |
| 52   | 532194326 | PULLEY                         |                                       | 1    |     |
| 56   | 532130969 | BELT                           |                                       | 1    |     |
| 64   | 532197865 | SHAFT                          |                                       | 1    |     |
| 73   | 874490544 | SCREW                          |                                       | 1    |     |
| 80   | 532410024 | STRAP TORQUE                   |                                       | 1    |     |
| 92   | 874760520 | BOLT                           |                                       | 1    |     |
| 99   | 532415742 | ROD                            |                                       | 1    |     |
| 114  | 873800500 | LOCK NUT                       |                                       | 1    |     |
| 116  | 873900500 | NUT                            |                                       | 1    |     |
| 121  | 532175611 | CHAPPE DE FIXATION             |                                       | 1    |     |
| 122  | 872010520 | BOLT                           |                                       | 1    |     |
| 125  | 817000512 | SCREW                          |                                       | 1    |     |
| 143  | 817490508 | SCREW                          |                                       | 1    |     |
| 153  | 532124788 | RETAINER RING                  |                                       | 1    |     |
| 159  | 876020412 | SPLIT PIN                      |                                       | 1    |     |
| 160  | 532169484 | PIN                            |                                       | 1    |     |
| 161  | 532105709 | SPRING                         |                                       | 1    |     |
| 163  | 532401034 | ROD                            |                                       | 1    |     |
| 166  | 532429164 | NUT                            |                                       | 1    |     |
| 167  | 532405257 | LATCH                          |                                       | 1    |     |
| 170  | 532413430 | BELT GUIDE                     |                                       | 1    |     |
| 183  | 532137057 | SPACER                         |                                       | 1    |     |
| 184  | 532403118 | CONTROL                        |                                       | 1    |     |
| 185  | 872110622 | BOLT                           |                                       | 1    |     |
| 186  | 532194321 | SPACER                         |                                       | 1    |     |
| 187  | 819133210 | WASHER                         |                                       | 1    |     |
| 188  | 532194323 | LINK                           |                                       | 1    |     |
| 189  | 532194317 | PLATE                          |                                       | 1    |     |
| 190  | 532194318 | BELT GUIDE                     |                                       | 1    |     |
| 205  | 532121748 | WASHER                         |                                       | 1    |     |
| 206  | 532197867 | BRACKET                        |                                       | 1    |     |
| 207  | 532197868 | LATCH                          |                                       | 1    |     |
| 208  | 532197869 | SUPPORT                        |                                       | 1    |     |
| 209  | 532199592 | ROD                            |                                       | 1    |     |
| 210  | 532400980 | PEDAL ARM                      |                                       | 1    |     |
| 211  | 532120183 | BEARING                        |                                       | 1    |     |
| 213  | 532403119 | CONTROL                        |                                       | 1    |     |
| 214  | 532421263 | PAD                            |                                       | 1    |     |
| 215  | 532401723 | PEDAL                          |                                       | 1    |     |
| 216  | 532196131 | BRACKET                        |                                       | 1    |     |
| 221  | 532403187 | SPRING                         |                                       | 1    |     |
| 222  | 879212010 | WASHER                         |                                       | 1    |     |
| 225  | 532403319 | BELT GUIDE                     |                                       | 1    |     |
| 226  | 532401564 | BRACKET                        |                                       | 1    |     |
| 230  | 532188967 | WASHER                         |                                       | 1    |     |
| 231  | 532407287 | PULLEY                         |                                       | 1    |     |



**SPARK ARRESTER KIT**

| REF. | PART NO.  | DESCRIPTION        | REMARK                      | QTY. | KIT |
|------|-----------|--------------------|-----------------------------|------|-----|
| 1    | 000000000 | W/O DESCRIPTION    | Kohler Model No. SV610-0212 | 1    |     |
| 2    | 532188655 | MUFFLER            |                             | 1    |     |
| 9    | 532194319 | BELT GUIDE         |                             | 1    |     |
| 12   | 532405472 | PULLEY             |                             | 1    |     |
| 15   | 532407489 | TANK FUEL          |                             | 1    |     |
| 18   | 532430220 | FUEL CAP           |                             | 1    |     |
| 20   | 532401508 | THROTTLE CONTROL   |                             | 1    |     |
| 21   | 532416358 | SCREW              |                             | 1    |     |
| 28   | 532401137 | DURITE ESSENCE 20" |                             | 1    |     |
| 29   | 532137180 | SPARK ARRESTER KIT |                             | 1    |     |
| 37   | 532123487 | HOSE CLAMP         |                             | 1    |     |
| 42   | 810040700 | WASHER             |                             | 1    |     |
| 45   | 873510400 | NUT                |                             | 1    |     |
| 69   | 532185909 | GASKET             |                             | 1    |     |
| 81   | 532148456 | TUBE               |                             | 1    |     |
| 82   | 532428287 | PLUG               |                             | 1    |     |
| 85   | 532173937 | BOLT               |                             | 1    |     |
| 87   | 537171877 | BOLT               |                             | 1    |     |
| 90   | 817000616 | SCREW              |                             | 1    |     |
| 92   | 817120616 | SCREW              |                             | 1    |     |
| 94   | 532188654 | TUBE EXHAUST       |                             | 1    |     |
| 95   | 532192334 | SCREW              |                             | 1    |     |
| 96   | 819091416 | WASHER             |                             | 1    |     |
| 97   | 817670412 | SCREW              |                             | 1    |     |
|      | PART NO.  |                    | REMARK                      |      | KIT |