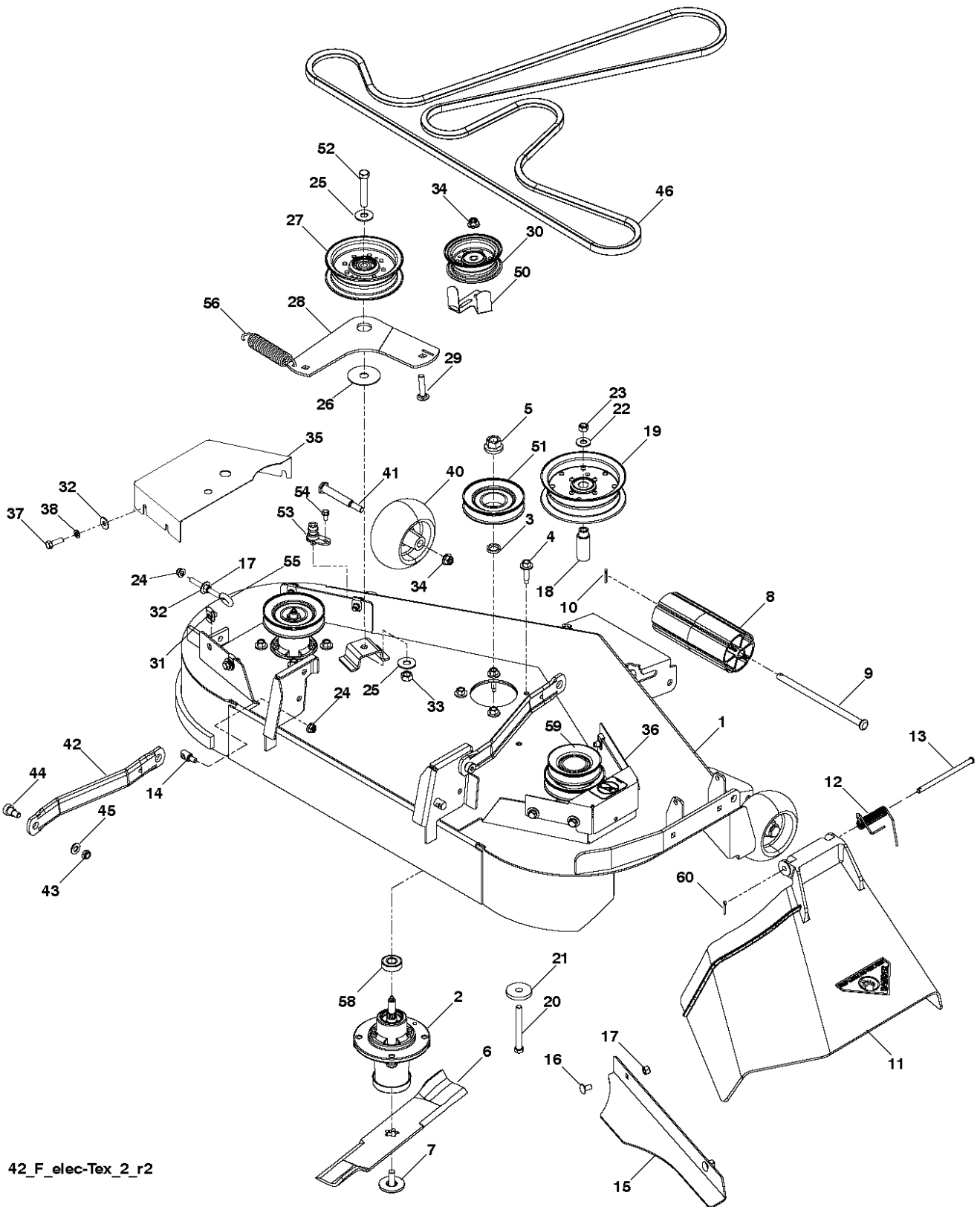


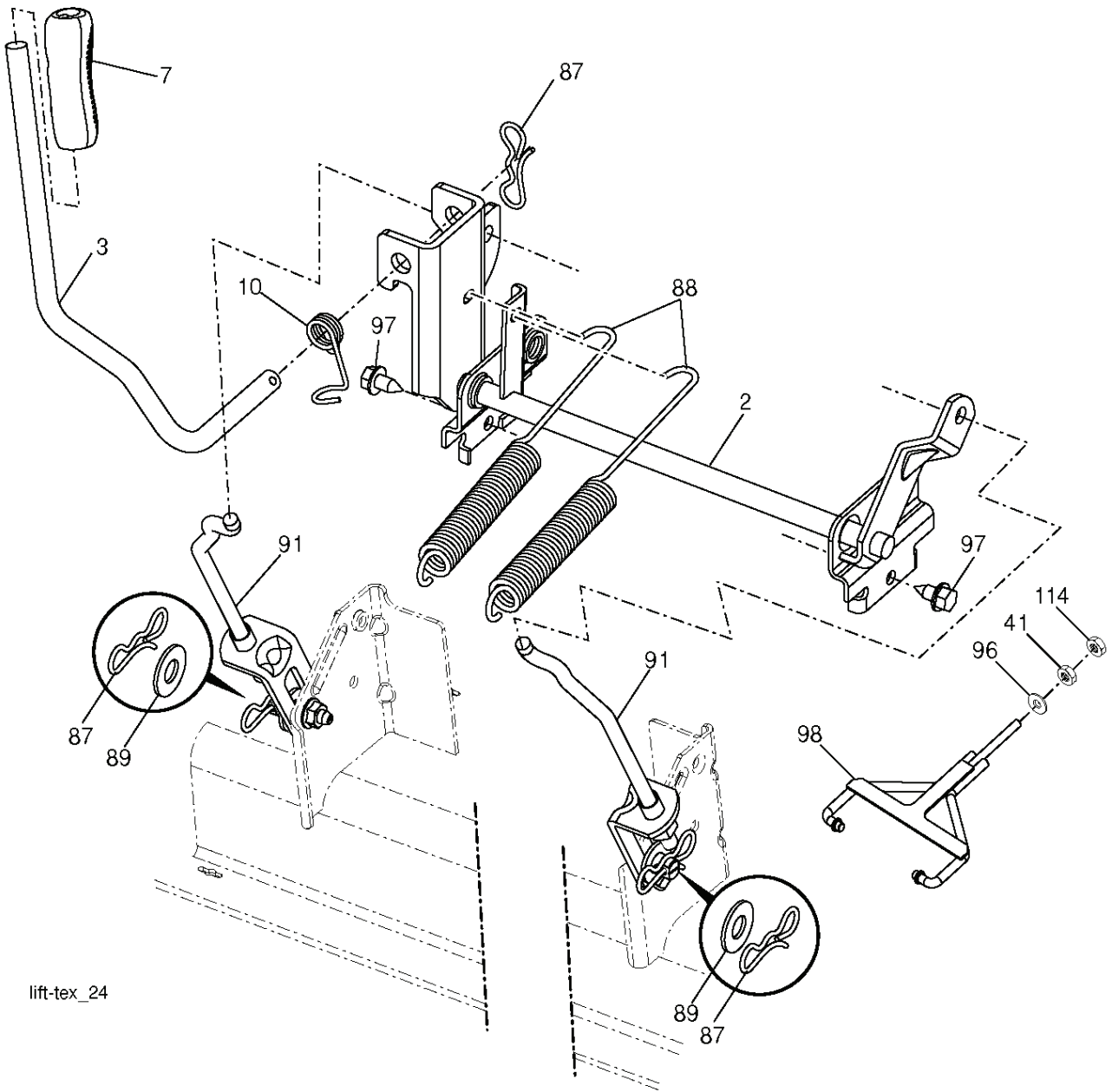
YTH2242 TDRF, 96041023702, 2012-11

SPARE PARTS LIST



42_F_elec-TEX_2_r2

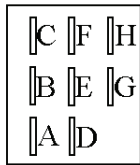
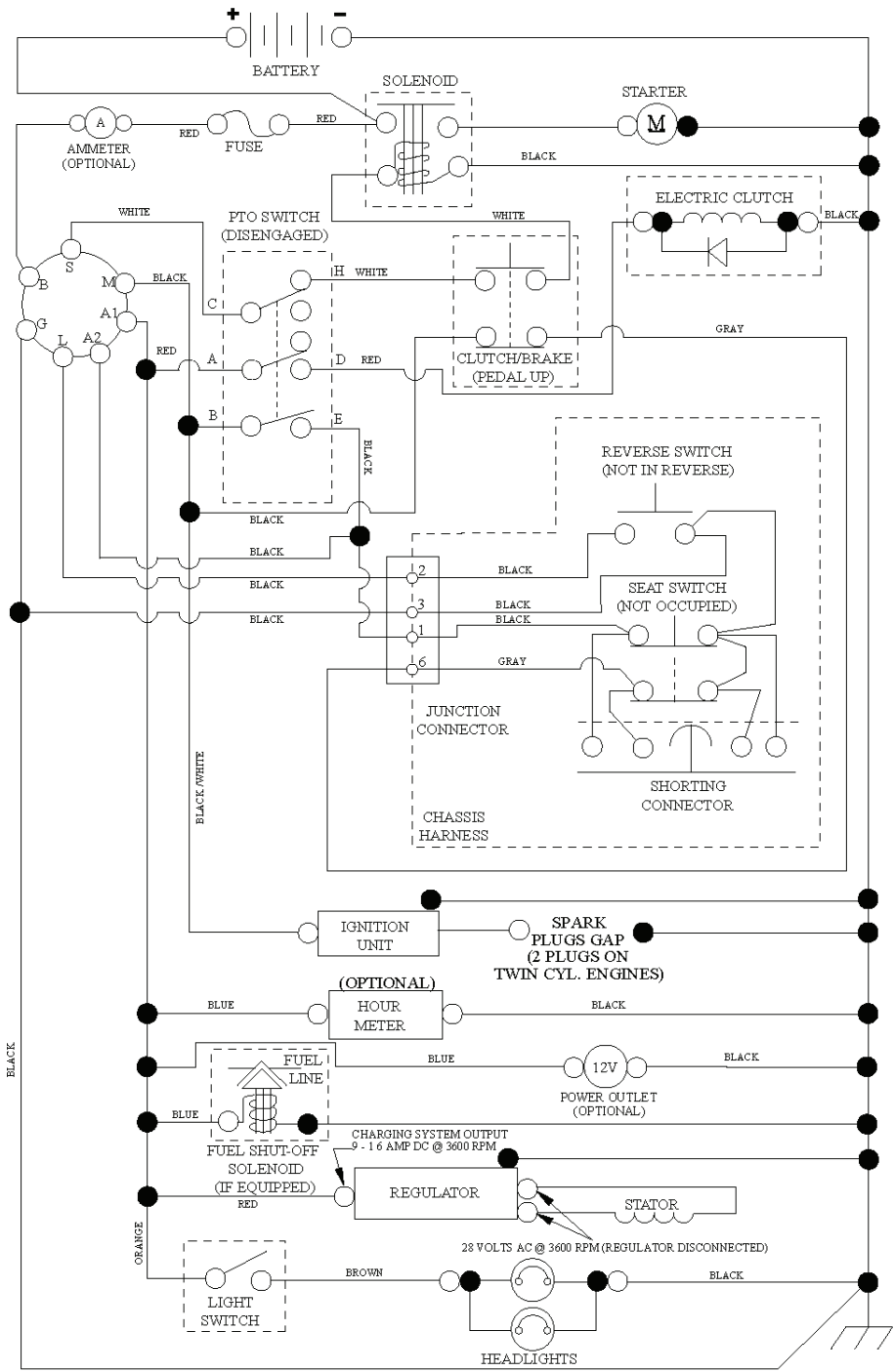
| REF. | PART NO. | DESCRIPTION | REMARK | QTY. | KIT |
|------|-----------|----------------------------|--------|------|-----|
| 1 | 574778902 | DECK | | 1 | |
| 2 | 539112170 | HOUSING ASSY | | 1 | |
| 3 | 532187690 | WASHER | | 1 | |
| 4 | 532173984 | SCREW | | 1 | |
| 5 | 532400234 | NUT | | 1 | |
| 6 | 539112078 | BLADE | | 1 | |
| 7 | 532193003 | SCREW | | 1 | |
| 8 | 532176066 | ROLLER | | 1 | |
| 9 | 532179127 | ROD ROLLER NOSE | | 1 | |
| 10 | 532194208 | PIN | | 1 | |
| 11 | 539110731 | CHUTE | | 1 | |
| 12 | 539110735 | SPRING | | 1 | |
| 13 | 539110736 | CLEVIS PIN | | 1 | |
| 14 | 532195161 | STUD | | 1 | |
| 15 | 539112412 | PLATE | | 1 | |
| 16 | 539990799 | BOLT | | 1 | |
| 17 | 539990717 | NUT | | 1 | |
| 18 | 575224501 | BUSHING | | 1 | |
| 19 | 539132728 | PULLEY | | 1 | |
| 20 | 539108271 | BOLT | | 1 | |
| 21 | 539106504 | WASHER | | 1 | |
| 22 | 539990517 | WASHER | | 1 | |
| 23 | 539976979 | NUT | | 1 | |
| 24 | 539112899 | NUT, 5/16-18, NYLOC | | 1 | |
| 25 | 539104864 | WASHER | | 1 | |
| 26 | 532178515 | WASHER | | 1 | |
| 27 | 532196104 | PULLEY | | 1 | |
| 28 | 574827101 | ARM | | 1 | |
| 29 | 539990923 | RHSNB 3/8-16X1-3/4 GR 5 ZD | | 1 | |
| 30 | 532177968 | PULLEY | | 1 | |
| 31 | 539104763 | CLIP | | 1 | |
| 32 | 539990692 | WASHER | | 1 | |
| 33 | 539132019 | NUT | | 1 | |
| 34 | 521996501 | NUT | | 1 | |
| 35 | 575224702 | SHIELD | | 1 | |
| 36 | 575967102 | SHIELD | | 1 | |
| 37 | 539990209 | SCREW | | 1 | |
| 38 | 539990187 | WASHER | | 1 | |
| 40 | 532133957 | WHEEL | | 1 | |
| 41 | 532193406 | BOLT | | 1 | |
| 42 | 532195185 | ARM | | 1 | |
| 43 | 539200282 | NUT | | 1 | |
| 44 | 539113621 | SB 3/8-16 X 3/8 SKT HD ZD | | 1 | |
| 45 | 539990122 | WASHER | | 1 | |
| 46 | 574845601 | BELT | | 1 | |
| 50 | 575224301 | GUARD | | 1 | |
| 51 | 575224401 | PULLEY | | 1 | |
| 52 | 539104870 | BOLT | | 1 | |
| 53 | 532415598 | HOSE COUPLING | | 1 | |
| 54 | 539108461 | SCREW | | 1 | |
| 55 | 539115574 | EYE BOLT | | 1 | |
| 56 | 539106850 | SPRING | | 1 | |
| 58 | 532110485 | BEARING | | 1 | |
| 59 | 575416201 | PULLEY | | 1 | |
| 60 | 532169484 | PIN | | 1 | |
| -- | 532445356 | CUTTING DECK | | 1 | |



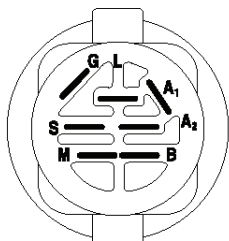
lift-tex_24

| REF. | PART NO. | DESCRIPTION | REMARK | QTY. | KIT |
|------|-----------|-------------|--------|------|-----|
| 2 | 532422027 | SHAFT | | 1 | |
| 3 | 532195230 | LEVER | | 1 | |
| 7 | 580962301 | GRIP | | 1 | |
| 10 | 532196314 | SPRING | | 1 | |
| 41 | 532175994 | NUT | | 1 | |
| 87 | 532194209 | SPRING | | 1 | |
| 88 | 532410710 | SPRING | | 1 | |
| 89 | 819191912 | WASHER | | 1 | |
| 91 | 532403407 | LINK | | 1 | |
| 96 | 532195263 | BUSHING | | 1 | |
| 97 | 817000612 | SCREW | | 1 | |
| 98 | 574822501 | SUSPENSION | | 1 | |
| 114 | 873360700 | NUT | | 1 | |

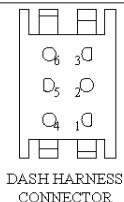
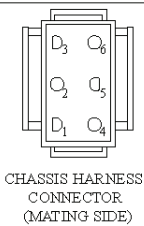
SCH12



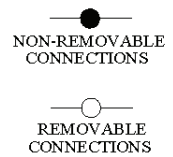
PTO SWITCH (MATING SIDE)

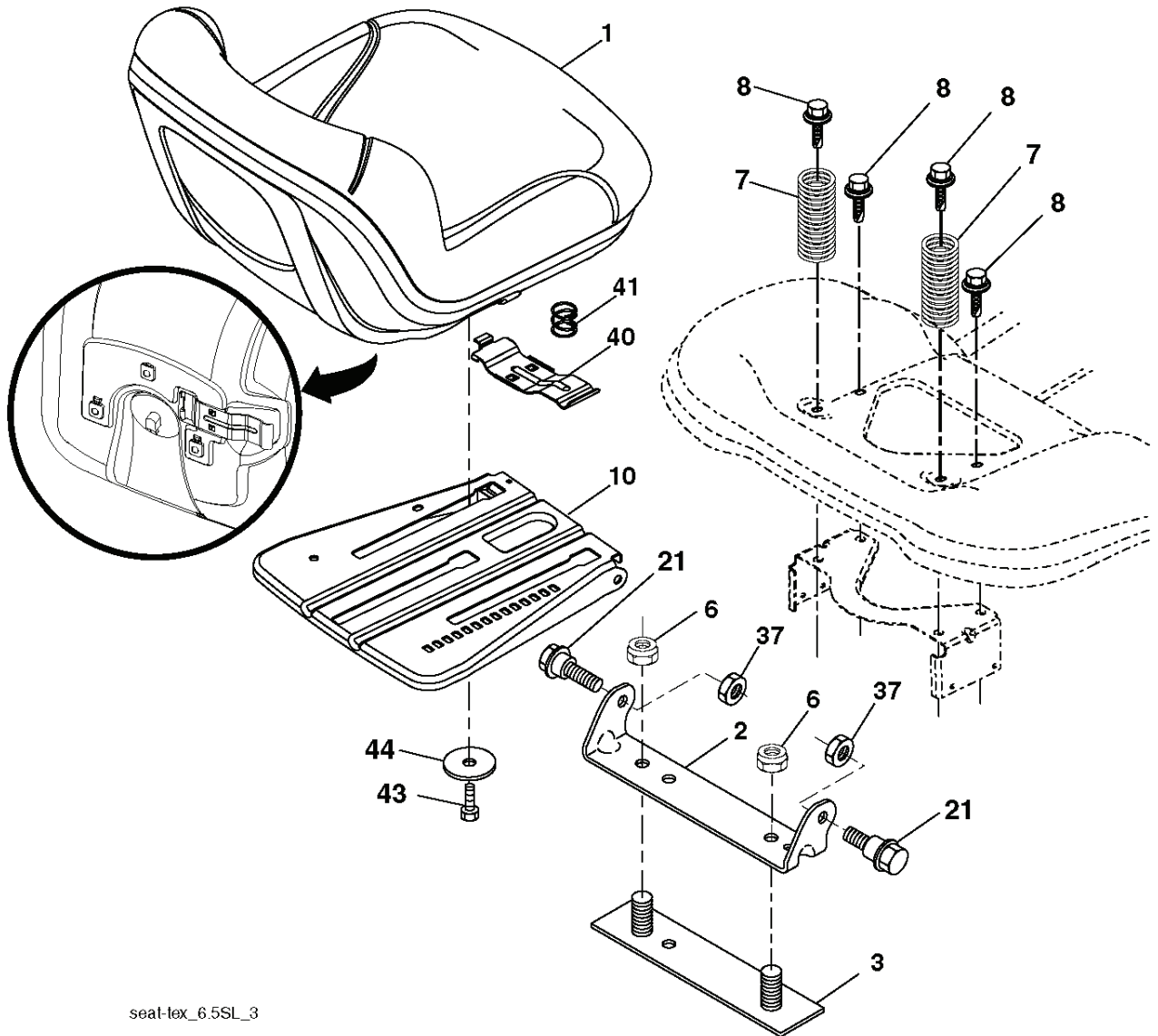


| POSITION | CIRCUIT | "MAKE" |
|--------------|------------|--------|
| OFF | M+G+A1 | |
| RUN/OVERRIDE | B+A1 | |
| RUN | B+A1 | L+A2 |
| START | B + S + A1 | |



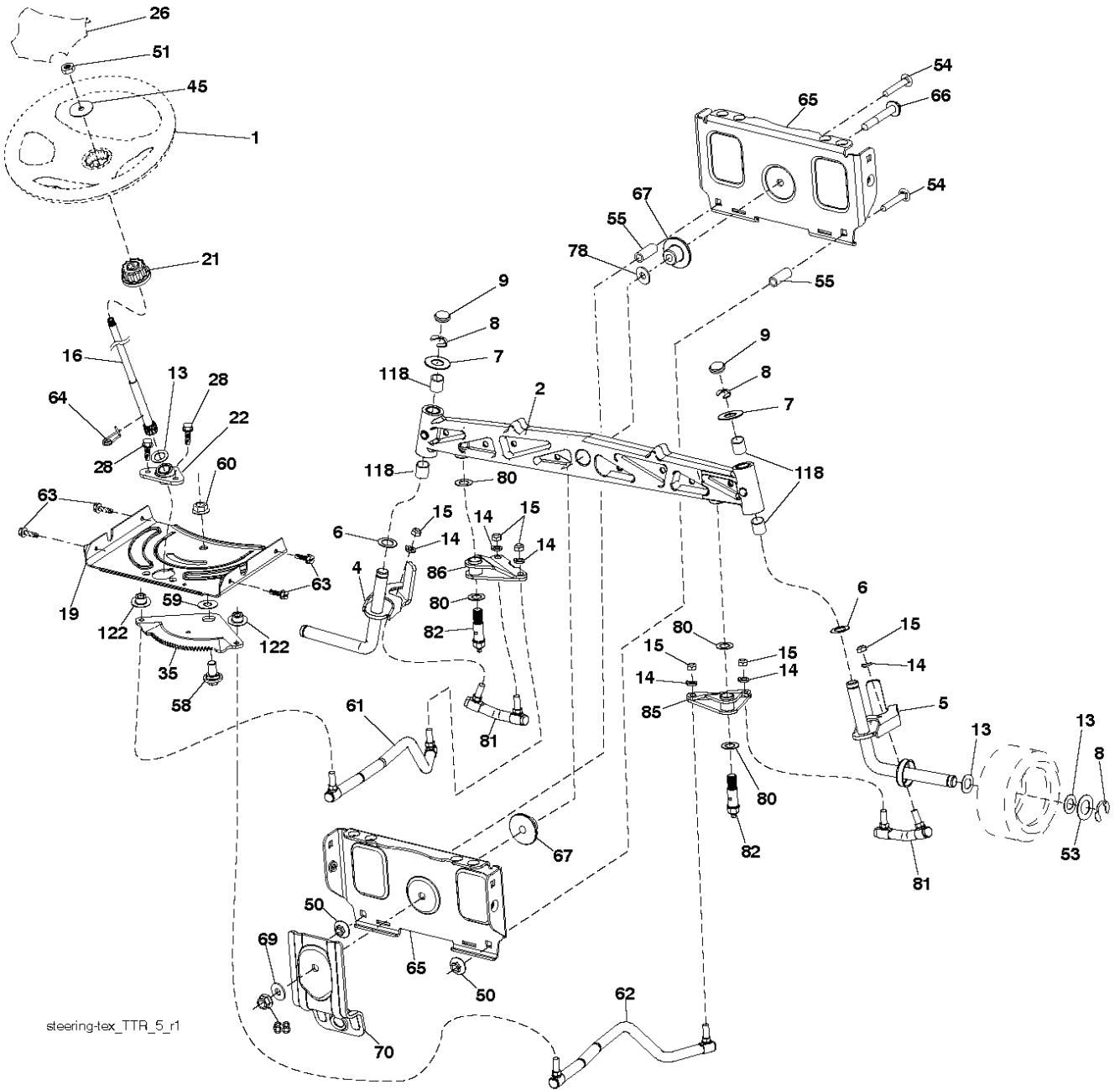
WIRING INSULATED CLIPS
NOTE: IF WIRING INSULATED CLIPS WERE REMOVED FOR SERVICING OF UNIT, THEY SHOULD BE RE-INSTALLED TO PROPERLY SECURE YOUR WIRING.





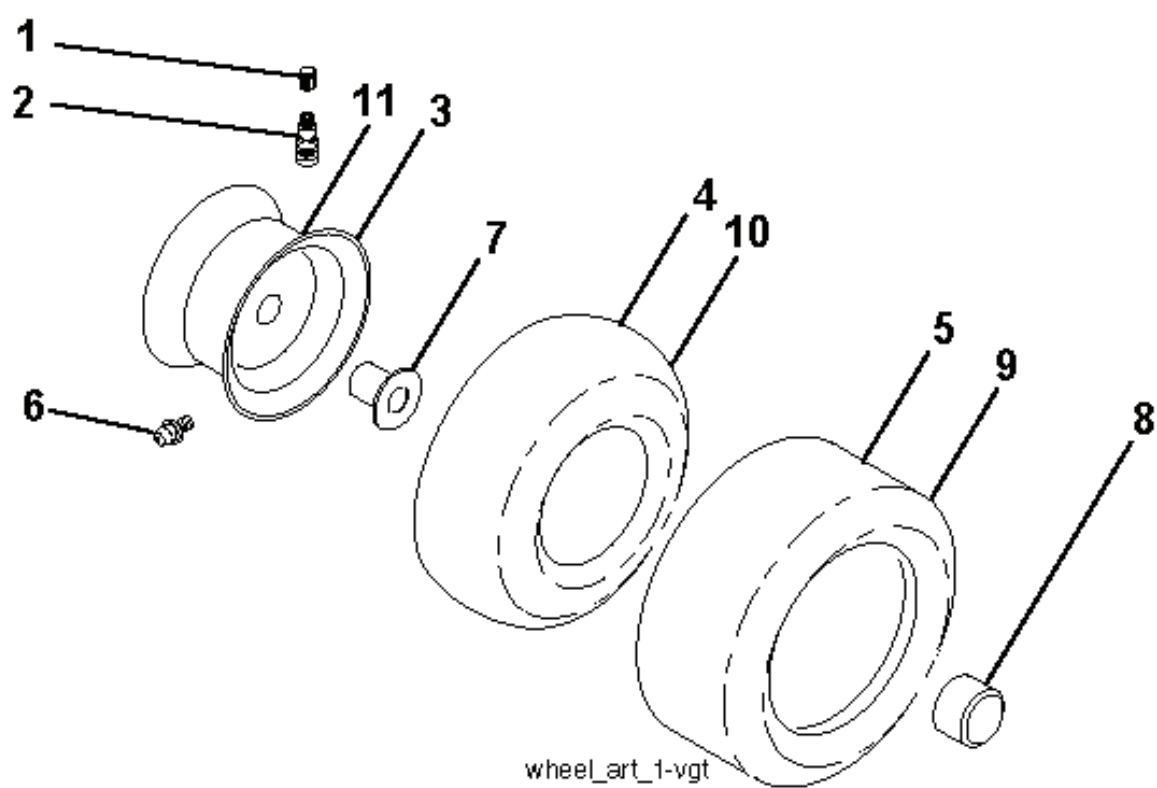
seal-lex_6.5SL_3

| REF. | PART NO. | DESCRIPTION | REMARK | QTY. | KIT |
|------|-----------|-------------|--------|------|-----|
| 1 | 532439822 | SEAT | | 1 | |
| 2 | 532180166 | BRACKET | | 1 | |
| 3 | 532140675 | STRAP | | 1 | |
| 6 | 873800600 | NUT | | 1 | |
| 7 | 532124181 | SPRING | | 1 | |
| 8 | 532171877 | BOLT | | 1 | |
| 10 | 532196977 | PLATE | | 1 | |
| 21 | 532171852 | BOLT | | 1 | |
| 37 | 873800500 | LOCK NUT | | 1 | |
| 40 | 532197661 | HANDLE | | 1 | |
| 41 | 532198200 | SPRING | | 1 | |
| 43 | 874760612 | BOLT | | 1 | |
| 44 | 819133812 | WASHER | | 1 | |

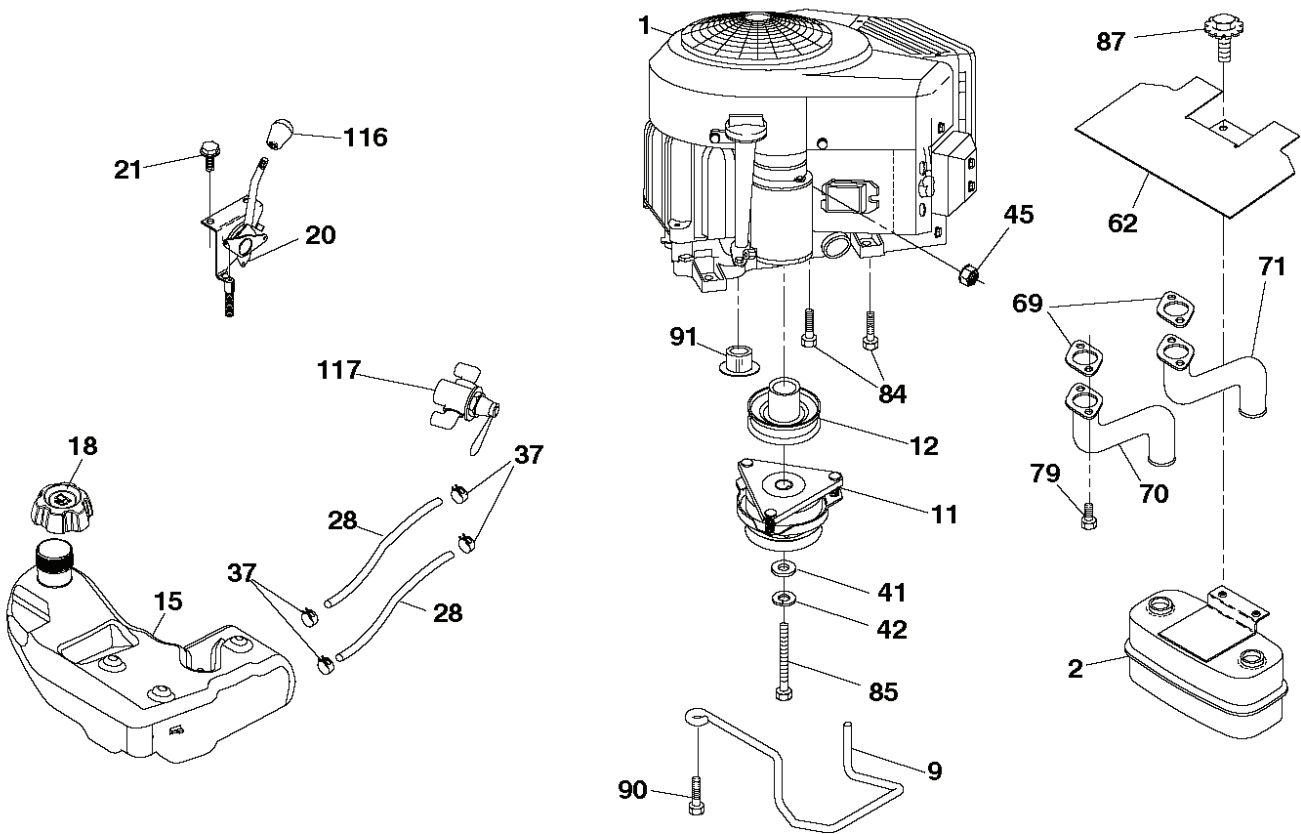


steering-tex_TTR_5_r1

| REF. | PART NO. | DESCRIPTION | REMARK | QTY. | KIT |
|------|-----------|-----------------|--------|------|-----|
| 1 | 532439740 | STEERING WHEEL | | 1 | |
| 2 | 532436870 | WHEEL AXLE | | 1 | |
| 4 | 532436873 | SPINDLE | | 1 | |
| 5 | 532436874 | SPINDLE | | 1 | |
| 6 | 532124931 | WASHER | | 1 | |
| 7 | 532121748 | WASHER | | 1 | |
| 8 | 812000029 | RETAINER RING | | 1 | |
| 9 | 532121232 | HUB CAP | | 1 | |
| 13 | 532121749 | WASHER | | 1 | |
| 14 | 810040600 | WASHER | | 1 | |
| 15 | 873540600 | NUT | | 1 | |
| 16 | 532444212 | SHAFT | | 1 | |
| 19 | 532194729 | PLATE | | 1 | |
| 21 | 532437747 | ADAPTER WHEEL | | 1 | |
| 22 | 532194845 | BUSHING | | 1 | |
| 26 | 532439743 | HUB CAP | | 1 | |
| 28 | 817000612 | SCREW | | 1 | |
| 35 | 532440770 | GEAR | | 1 | |
| 45 | 819183812 | WASHER | | 1 | |
| 50 | 873900600 | NUT | | 1 | |
| 51 | 873940800 | NUT | | 1 | |
| 53 | 532188967 | WASHER | | 1 | |
| 54 | 874760636 | BOLT | | 1 | |
| 55 | 532414736 | SPACER | | 1 | |
| 58 | 532194747 | BOLT | | 1 | |
| 59 | 532194748 | WASHER | | 1 | |
| 60 | 873971000 | NUT | | 1 | |
| 61 | 532436884 | LINK | | 1 | |
| 62 | 532436885 | TUBE | | 1 | |
| 63 | 817000512 | SCREW | | 1 | |
| 64 | 532199849 | SPRING RETAINER | | 1 | |
| 65 | 532194734 | BRACKET | | 1 | |
| 66 | 871020748 | BOLT | | 1 | |
| 67 | 532194737 | BUSHING | | 1 | |
| 68 | 873900700 | NUT | | 1 | |
| 69 | 532199162 | WASHER | | 1 | |
| 70 | 532196197 | BRACKET | | 1 | |
| 78 | 532057079 | WASHER | | 1 | |
| 80 | 532001370 | WASHER | | 1 | |
| 81 | 532436887 | LINK | | 1 | |
| 82 | 532436877 | BOLT | | 1 | |
| 85 | 532441873 | PIVOT | | 1 | |
| 86 | 532441872 | PIVOT | | 1 | |
| 118 | 532406013 | BEARING | | 1 | |
| 122 | 532444962 | CAP | | 1 | |



| REF. | PART NO. | DESCRIPTION | REMARK | QTY. | KIT |
|------|-----------|--------------|---------------------|------|-----|
| 1 | 532059192 | CAP VALVE | | 1 | |
| 2 | 532065139 | NIPPLE | | 1 | |
| 3 | 532181839 | RIM ASSY | FRONT | 1 | |
| 4 | 532008134 | HOSE | (Service Item Only) | 1 | |
| 5 | 532106230 | TIRE | FRONT | 1 | |
| 6 | 532124957 | FITTING | (Front Wheel Only) | 1 | |
| 7 | 532124959 | BEARING | (Front Wheel Only) | 1 | |
| 8 | 532175039 | HUB CAP | | 1 | |
| 9 | 532122082 | TIRE | REAR | 1 | |
| 10 | 532124926 | HOSE | (Service Item Only) | 1 | |
| 11 | 532138337 | RIM SPROCKET | REAR | 1 | |
| -- | 532144334 | SEALING FOAM | | 1 | |

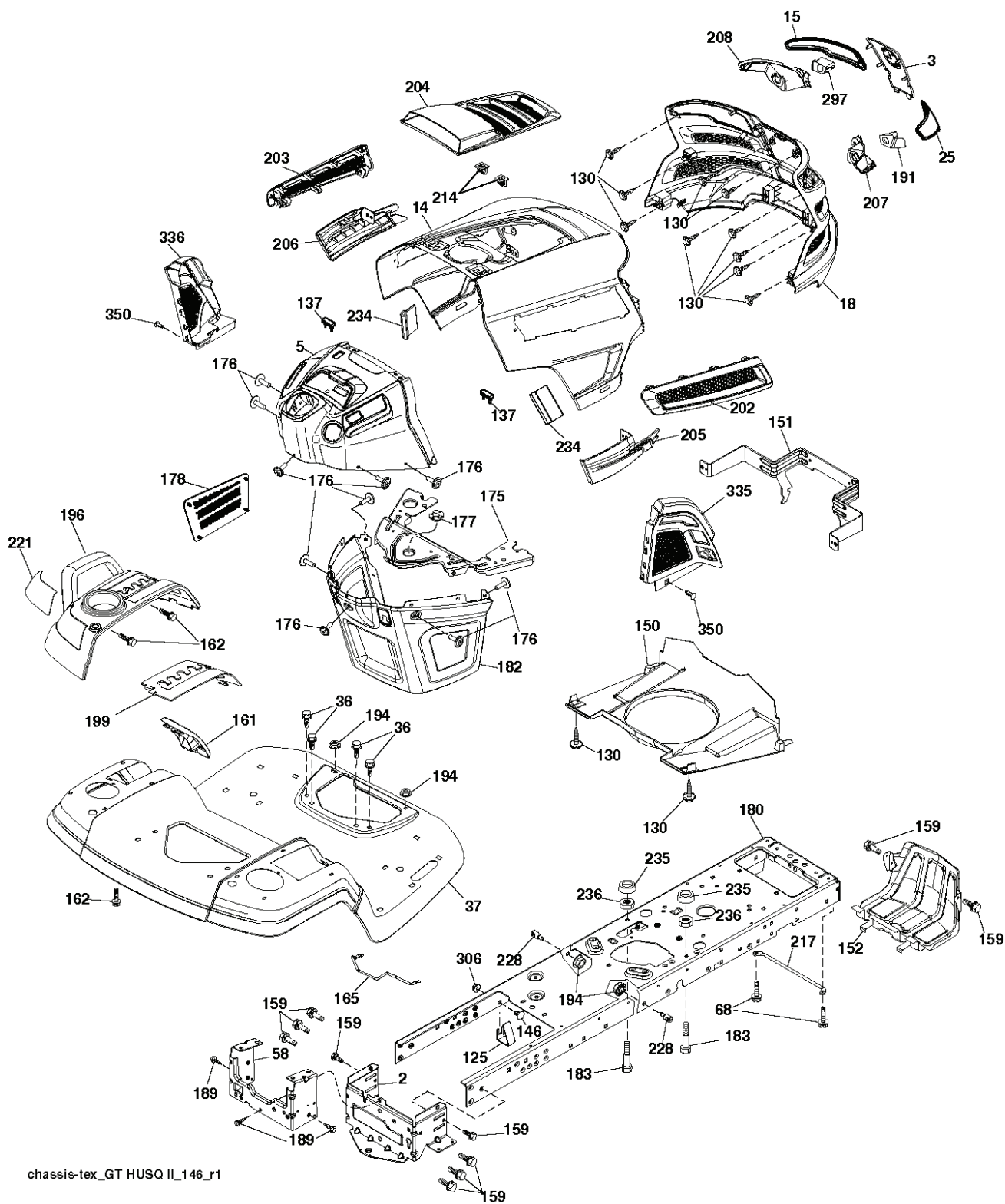


29

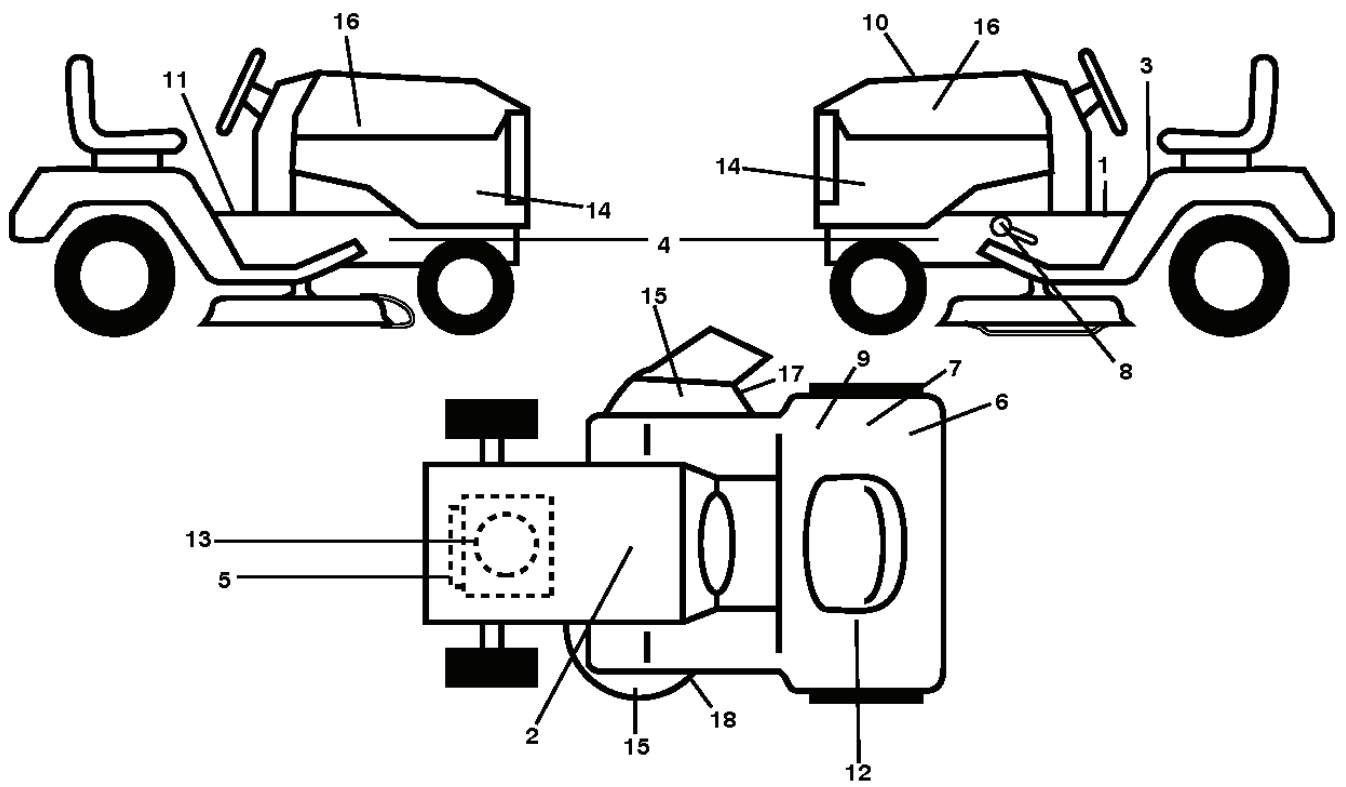
SPARK ARRESTER KIT

engine-tex_bs-2cyl_27

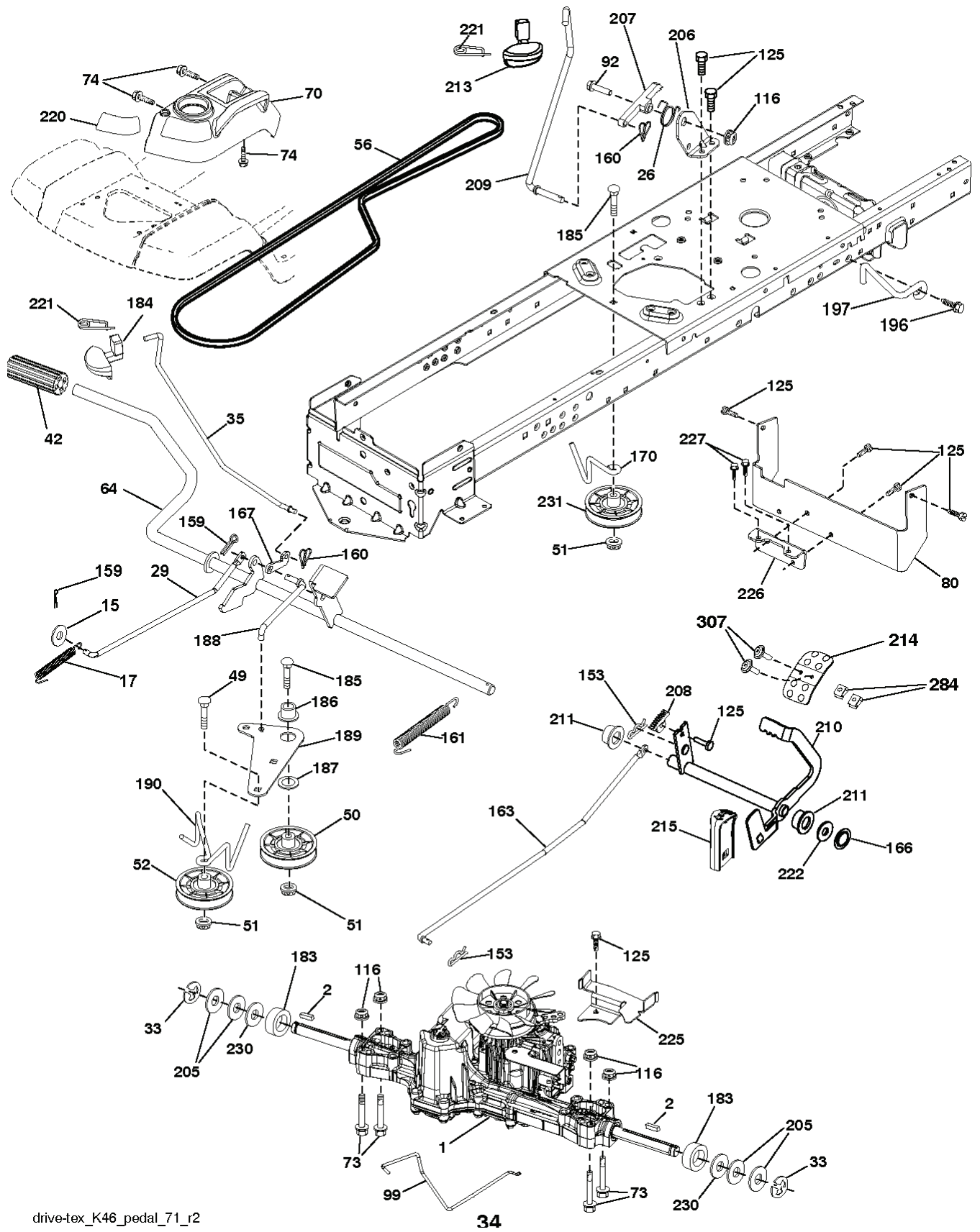
| REF. | PART NO. | DESCRIPTION | REMARK | QTY. | KIT |
|------|-----------|------------------------|--|------|-----|
| 1 | 000000000 | W/O DESCRIPTION | ENGINE B&S MODEL NO. 40H777-1575-G5 (442152) | 1 | |
| 2 | 532445962 | MUFFLER | | 1 | |
| 9 | 532194320 | BELT GUIDE | | 1 | |
| 11 | 532400008 | CLUTCH | | 1 | |
| 12 | 532405097 | PULLEY | | 1 | |
| 15 | 532422804 | TANK FUEL | | 1 | |
| 18 | 532439645 | FUEL CAP | | 1 | |
| 20 | 532424340 | CONTROL THROTTLE/CHOKE | | 1 | |
| 21 | 532416358 | SCREW | | 1 | |
| 28 | 532142158 | FULE LINE | | 1 | |
| 29 | 532137180 | SPARK ARRESTER KIT | | 1 | |
| 37 | 532123487 | HOSE CLAMP | | 1 | |
| 41 | 532126197 | WASHER | | 1 | |
| 42 | 810040700 | WASHER | | 1 | |
| 45 | 873510400 | NUT | | 1 | |
| 62 | 532434017 | SHIELD | | 1 | |
| 69 | 532165391 | GASKET | | 1 | |
| 70 | 532159955 | TUBE | | 1 | |
| 71 | 532160589 | TUBE | | 1 | |
| 79 | 532183906 | SCREW | | 1 | |
| 84 | 817060620 | SCREW | | 1 | |
| 85 | 532173937 | BOLT | | 1 | |
| 87 | 537171877 | BOLT | | 1 | |
| 90 | 817000616 | SCREW | | 1 | |
| 91 | 532187495 | BUSHING | | 1 | |
| 116 | 539132624 | KNOB | | 1 | |
| 117 | 532420828 | VALVE FUEL RESERVE | | 1 | |



| REF. | PART NO. | DESCRIPTION | REMARK | QTY. | KIT |
|------|-----------|---------------|--------|------|-----|
| 2 | 532412282 | PLATE | | 1 | |
| 3 | 532439752 | LOGOTYPE | | 1 | |
| 5 | 532437486 | DASH | | 1 | |
| 14 | 532441177 | HOOD | | 1 | |
| 15 | 532439733 | LENS | | 1 | |
| 18 | 532437762 | GRILLE | | 1 | |
| 25 | 532443385 | LENS | | 1 | |
| 36 | 817060512 | SCREW | | 1 | |
| 37 | 532441208 | FENDER | | 1 | |
| 58 | 532412281 | PLATE | | 1 | |
| 68 | 817490508 | SCREW | | 1 | |
| 125 | 581684801 | CLIP | | 1 | |
| 130 | 532416358 | SCREW | | 1 | |
| 137 | 532407590 | DAMPING PIECE | | 1 | |
| 146 | 581857901 | BOLT | | 1 | |
| 150 | 532439774 | AIR DUCT | | 1 | |
| 151 | 532436670 | BRACKET | | 1 | |
| 152 | 532439870 | SHIELD | | 1 | |
| 159 | 817000612 | SCREW | | 1 | |
| 161 | 532401826 | CONSOLE | | 1 | |
| 162 | 532142432 | SCREW | | 1 | |
| 165 | 532194330 | SUPPORT | | 1 | |
| 175 | 532196304 | SUPPORT | | 1 | |
| 176 | 532400776 | SCREW | | 1 | |
| 177 | 532195227 | BUSHING | | 1 | |
| 178 | 532199782 | NET | | 1 | |
| 180 | 532445559 | CHASSIS | | 1 | |
| 182 | 532406859 | DASH | | 1 | |
| 183 | 874520520 | BOLT | | 1 | |
| 189 | 817000512 | SCREW | | 1 | |
| 191 | 532437455 | INSERT | | 1 | |
| 194 | 873900500 | NUT | | 1 | |
| 196 | 532439674 | CONSOLE | | 1 | |
| 199 | 532198259 | PLATE | | 1 | |
| 202 | 532439728 | COVER | | 1 | |
| 203 | 532439727 | COVER | | 1 | |
| 204 | 532435714 | COVER | | 1 | |
| 205 | 532439730 | SKIRT | | 1 | |
| 206 | 532439729 | SKIRT | | 1 | |
| 207 | 532439734 | CUP | | 1 | |
| 208 | 532439735 | CUP | | 1 | |
| 214 | 532199145 | CLIP | | 1 | |
| 217 | 532409167 | ROD | | 1 | |
| 221 | 532198909 | LENS | | 1 | |
| 228 | 532195161 | STUD | | 1 | |
| 234 | 532404742 | DAMPING PIECE | | 1 | |
| 235 | 532406129 | SPACER | | 1 | |
| 236 | 873930500 | NUT | | 1 | |
| 297 | 532437456 | INSERT | | 1 | |
| 306 | 873900600 | NUT | | 1 | |
| 335 | 532448204 | COVER | | 1 | |
| 336 | 532445309 | COVER | | 1 | |
| 350 | 532445143 | CLIP | | 1 | |
| -- | 532431882 | GUARD | | 1 | |

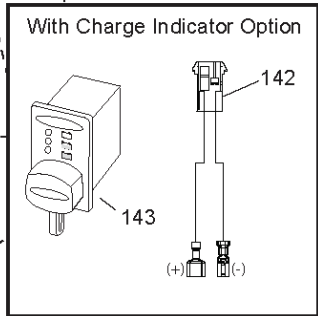
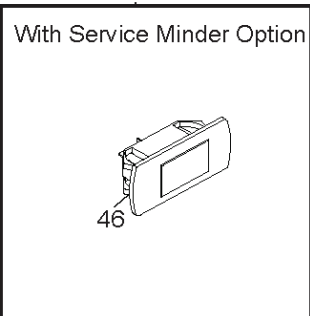
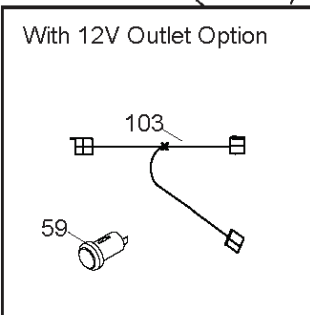
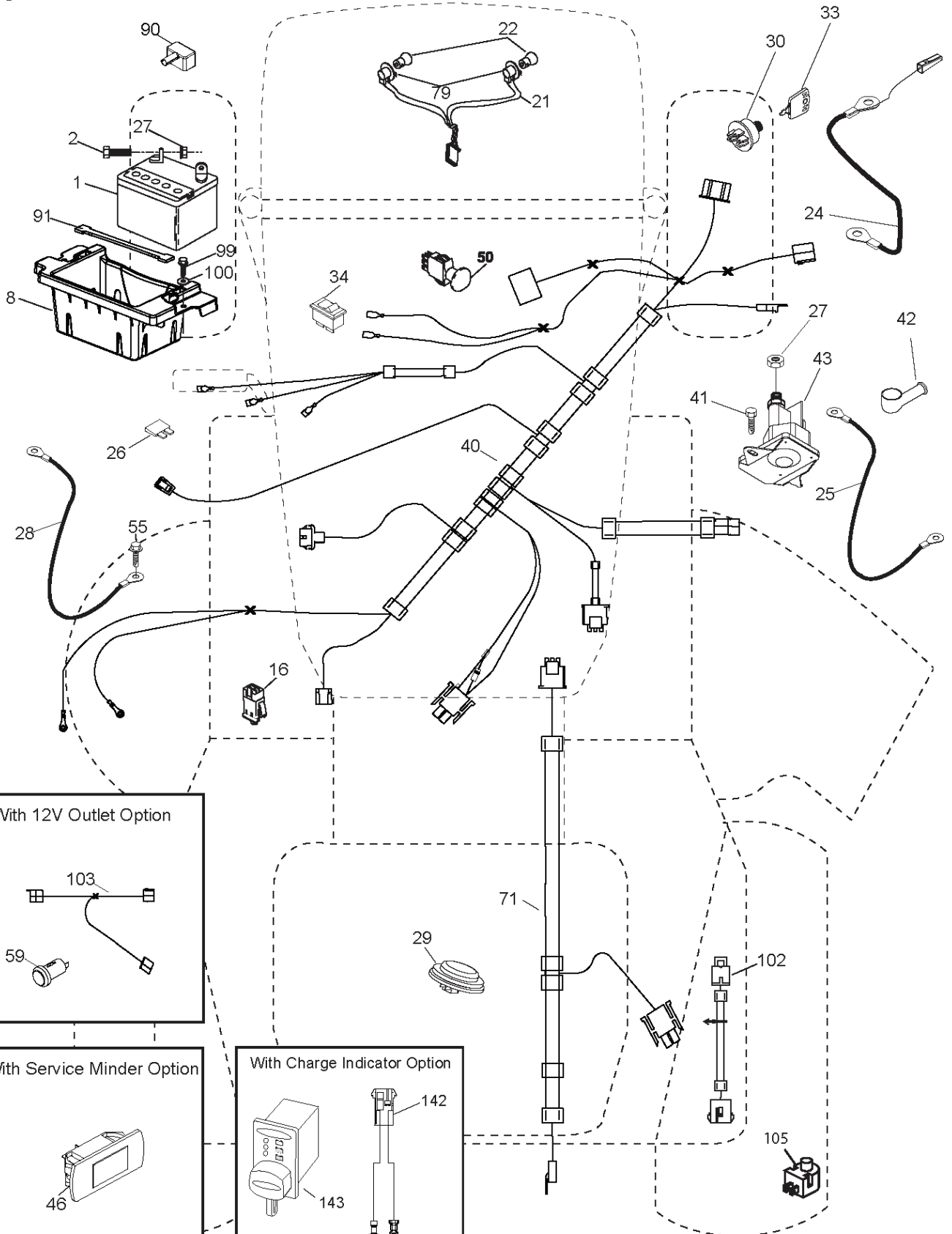


| REF. | PART NO. | DESCRIPTION | REMARK | QTY. | KIT |
|------|-----------|-------------|--------|------|-----|
| 1 | 581578001 | DECAL | | 1 | |
| 2 | 532145005 | DECAL | | 1 | |
| 3 | 581578101 | DECAL | | 1 | |
| 4 | 581579601 | DECAL | | 1 | |
| 5 | 532432914 | DECAL | | 1 | |
| 6 | 581724103 | DECAL | | 1 | |
| 7 | 581724102 | DECAL | | 1 | |
| 8 | 532418600 | DECAL | | 1 | |
| 9 | 581578601 | DECAL | | 1 | |
| 10 | 532443839 | DECAL | | 1 | |
| 11 | 581724001 | DECAL | | 1 | |
| 12 | 581724201 | DECAL | | 1 | |
| 13 | 532196841 | DECAL | | 1 | |
| 14 | 532444001 | DECAL | | 1 | |
| 15 | 581724301 | DECAL | | 1 | |
| 16 | 581627301 | DECAL | | 1 | |
| 17 | 539113224 | DECAL | | 1 | |
| 18 | 532160396 | DECAL | | 1 | |
| -- | 581724601 | DECAL | | 1 | |
| -- | 581724801 | DECAL | | 1 | |
| -- | 532439882 | PAD | | 1 | |
| -- | 532439881 | PAD | | 1 | |



| REF. | PART NO. | DESCRIPTION | REMARK | QTY. | KIT |
|------|-----------|--------------------------------|--------------------------------------|------|-----|
| 1 | 000000000 | W/O DESCRIPTION | TRANSAXLE TUFFTORQ K46CR (426121) | 1 | |
| 2 | 532123583 | KEY | | 1 | |
| 15 | 819131316 | WASHER | | 1 | |
| 17 | 532413678 | SRPING.BRAKE.K46.GREEN*SUBS/2* | | 1 | |
| 26 | 532199679 | SPRING | | 1 | |
| 29 | 532403806 | ROD | | 1 | |
| 33 | 812000001 | RETAINER RING | | 1 | |
| 35 | 583864501 | ROD | | 1 | |
| 42 | 532124872 | PEDAL RUBBER | | 1 | |
| 49 | 872110614 | BOLT | | 1 | |
| 50 | 532194327 | PULLEY | | 1 | |
| 51 | 873900600 | NUT | | 1 | |
| 52 | 532194326 | PULLEY | | 1 | |
| 56 | 532130969 | BELT | | 1 | |
| 64 | 532197865 | SHAFT | | 1 | |
| 70 | 532439661 | CONSOLE | | 1 | |
| 73 | 874490544 | SCREW | | 1 | |
| 74 | 532142432 | SCREW | | 1 | |
| 80 | 532440619 | STRAP | | 1 | |
| 92 | 874760520 | BOLT | | 1 | |
| 99 | 532415742 | ROD | | 1 | |
| 116 | 873900500 | NUT | | 1 | |
| 125 | 817000512 | SCREW | | 1 | |
| 153 | 532124788 | RETAINER RING | | 1 | |
| 159 | 876020412 | SPLIT PIN | | 1 | |
| 160 | 532169484 | PIN | | 1 | |
| 161 | 532105709 | SPRING | | 1 | |
| 163 | 532448275 | CONTROL | | 1 | |
| 166 | 532429164 | NUT | | 1 | |
| 167 | 532405257 | LATCH | | 1 | |
| 170 | 532413430 | BELT GUIDE | | 1 | |
| 183 | 532137057 | SPACER | | 1 | |
| 184 | 532441455 | HANDLE | | 1 | |
| 185 | 872110622 | BOLT | | 1 | |
| 186 | 532194321 | SPACER | | 1 | |
| 187 | 819133210 | WASHER | | 1 | |
| 188 | 532194323 | LINK | | 1 | |
| 189 | 532194317 | PLATE | | 1 | |
| 190 | 532194318 | BELT GUIDE | | 1 | |
| 196 | 817000616 | SCREW | | 1 | |
| 197 | 532195804 | BRACKET | | 1 | |
| 205 | 532121748 | WASHER | | 1 | |
| 206 | 532448596 | BRACKET | | 1 | |
| 207 | 532197868 | LATCH | | 1 | |
| 208 | 532197869 | SUPPORT | | 1 | |
| 209 | 532199592 | ROD | | 1 | |
| 210 | 532197860 | ARM | | 1 | |
| 211 | 532120183 | BEARING | | 1 | |
| 213 | 532403119 | CONTROL | | 1 | |
| 214 | 532416863 | PEDAL.FORWARD.HUSQVARNA.DEALER | | 1 | |
| 215 | 532401723 | PEDAL | | 1 | |
| 220 | 532198908 | LENS | | 1 | |
| 221 | 532403187 | SPRING | | 1 | |
| 222 | 879212010 | WASHER | | 1 | |
| 225 | 532403319 | BELT GUIDE | | 1 | |
| 226 | 532401564 | BRACKET | | 1 | |
| 227 | 817490512 | SCREW | | 1 | |
| 230 | 532188967 | WASHER | | 1 | |
| 231 | 532407287 | PULLEY | | 1 | |
| 284 | 532417693 | NUT | | 1 | |
| 307 | 874180412 | SCREW | | 1 | |

T11S



| REF. | PART NO. | DESCRIPTION | REMARK | QTY. | KIT |
|------|-----------|-------------------------|--------|------|-----|
| 1 | 532163465 | BATTERY | | 1 | |
| 2 | 874760412 | BOLT | | 1 | |
| 8 | 532186491 | BOX | | 1 | |
| 16 | 532176138 | MICRO SWITCH | | 1 | |
| 21 | 532400252 | HARNESS | | 1 | |
| 22 | 532004152 | BULB | | 1 | |
| 24 | 532400253 | CABLE | | 1 | |
| 25 | 585555501 | CABLE | | 1 | |
| 26 | 532175158 | FUSE | | 1 | |
| 27 | 873510400 | NUT | | 1 | |
| 28 | 532145491 | CABLE | | 1 | |
| 29 | 532401545 | SWITCH | | 1 | |
| 30 | 532193350 | IGNITION MODULE | | 1 | |
| 33 | 532411933 | KEY | | 1 | |
| 34 | 532110712 | SWITCH | | 1 | |
| 40 | 581022701 | HARNESS | | 1 | |
| 41 | 817720408 | SCREW | | 1 | |
| 42 | 532131563 | COVER | | 1 | |
| 43 | 532192507 | SOLENOID | | 1 | |
| 46 | 532401763 | DISPLAY | | 1 | |
| 50 | 532174651 | SWITCH | | 1 | |
| 55 | 817060512 | SCREW | | 1 | |
| 59 | 532400303 | OUTLET-12 VOLT | | 1 | |
| 71 | 532194276 | CABLE ASSY | | 1 | |
| 79 | 532175242 | HOLDER | | 1 | |
| 90 | 532435395 | TERMINAL COVER | | 1 | |
| 91 | 532190270 | STRAP BATTERY MOUNT FRO | | 1 | |
| 99 | 817670412 | SCREW | | 1 | |
| 100 | 819091416 | WASHER | | 1 | |
| 102 | 532404454 | CABLE | | 1 | |
| 103 | 532407962 | CABLE | | 1 | |
| 105 | 532407568 | SWITCH | | 1 | |
| 142 | 583857801 | HARNESS | | 1 | |
| 143 | 532448059 | HARNESS | | 1 | |
| | PART NO. | | REMARK | | KIT |