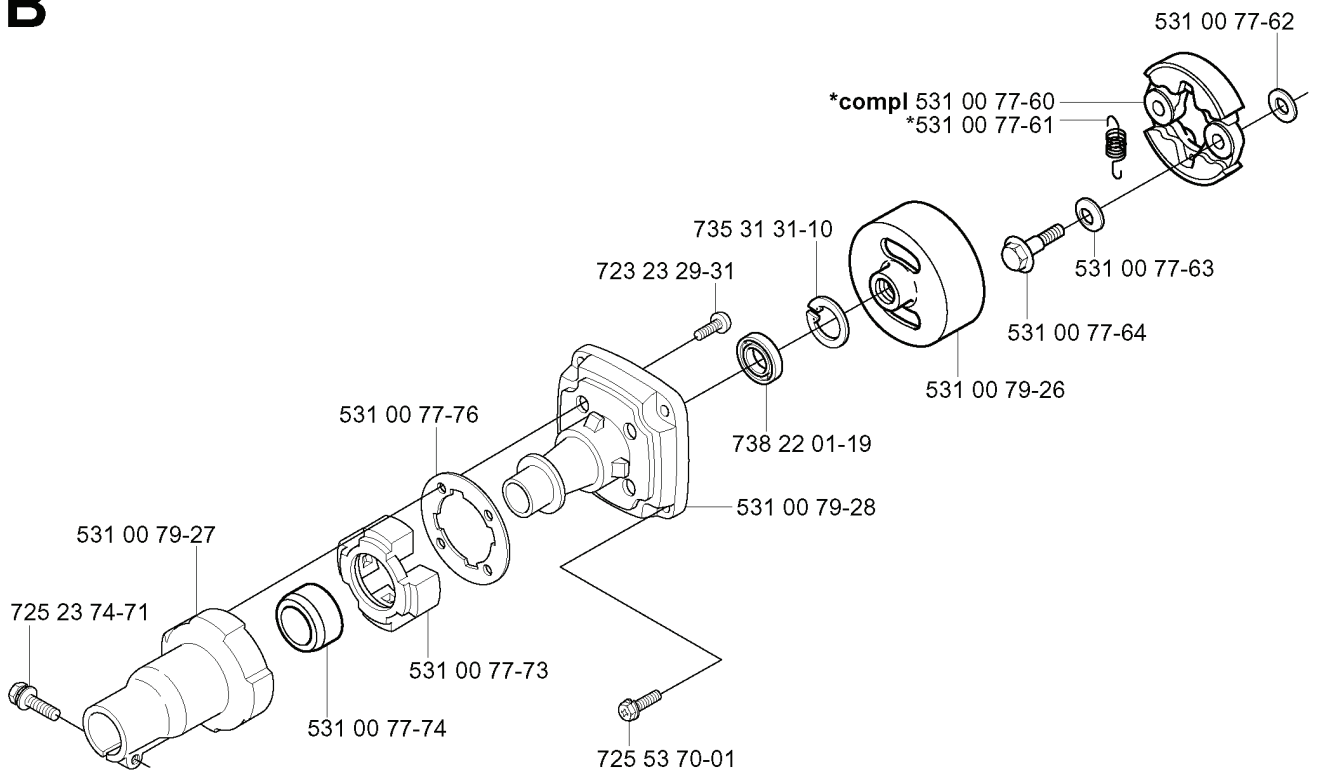


152 RJ, 2003-01

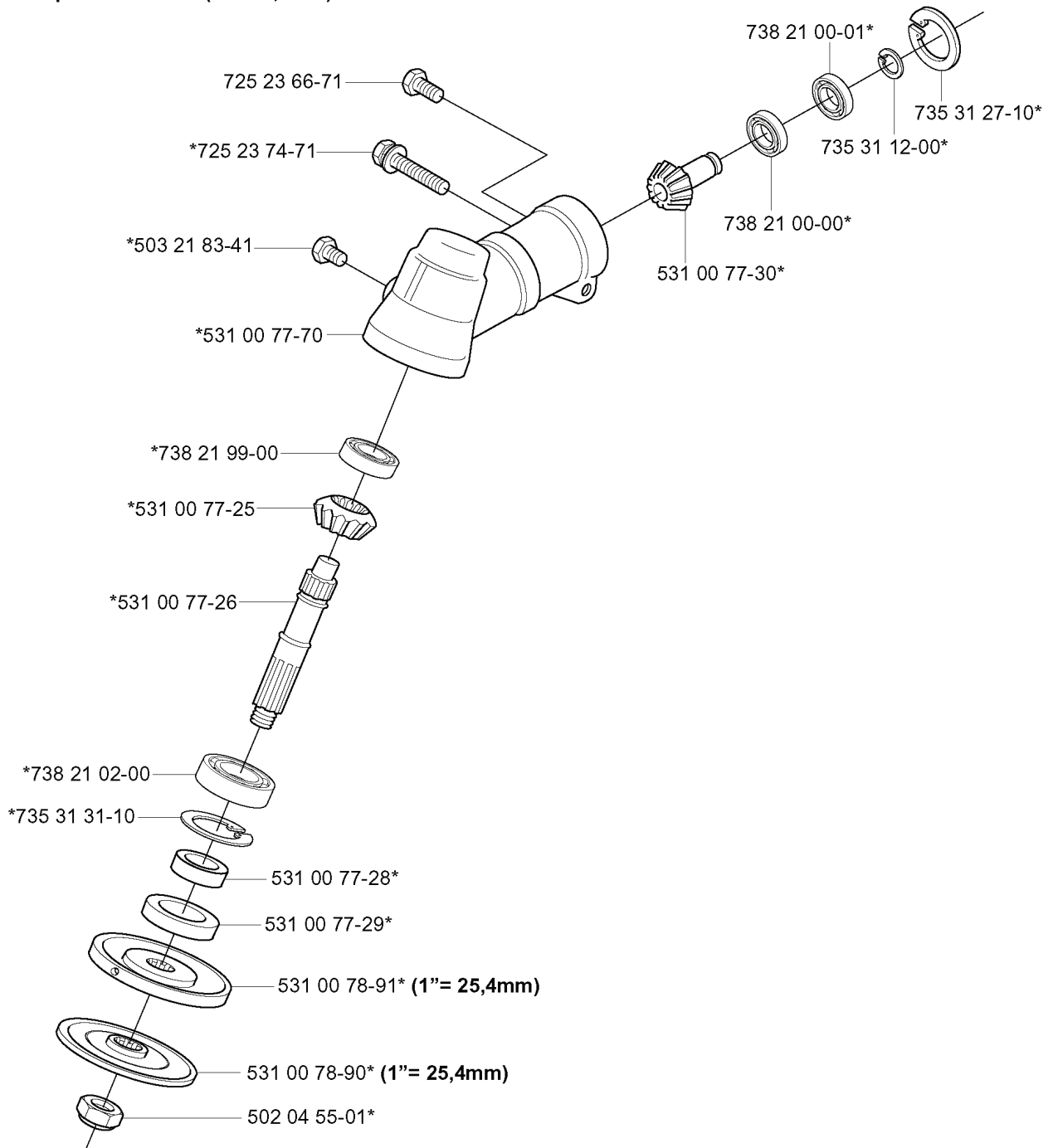
SPARE PARTS LIST

B



REF.	PART NO.	DESCRIPTION	REMARK	QTY.	KIT
531 00 79-27	531007927	COVER		1	
725 23 74-71	725237471	SCREW EHHM		1	
531 00 77-74	531007774	BUMPER		1	
531 00 77-73	531007773	BUMPER		1	
531 00 77-76	531007776	WASHER		1	
725 53 70-01	725537001	SCREW IHSCM		1	
531 00 79-28	531007928	CLUTCH COVER		1	
738 22 01-19	738220119	BALL BEARING		1	
723 23 29-31	723232931	SCREW SLPANM		1	
735 31 31-10	735313110	CIRCLIP		1	
531 00 79-26	531007926	CLUTCH DRUM		1	
531 00 77-64	531007764	SCREW		1	
531 00 77-63	531007763	WASHER		1	
531 00 77-61	531007761	SPRING		1	
531 00 77-60	531007760	CLUTCH		1	
531 00 77-62	531007762	WASHER		1	

N *compl 531 00 78-94 (1"= 25,4mm)

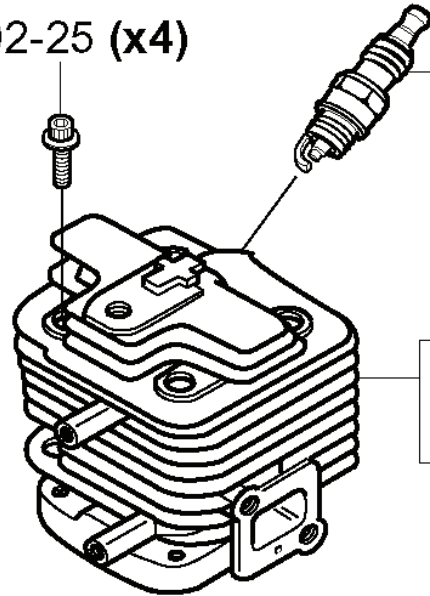


REF.	PART NO.	DESCRIPTION	REMARK	QTY.	KIT
531 00 78-94	531007894	BEVEL GEAR	1=25,4MM	1	
725 23 66-71	725236671	SCREW EHHM		1	
725 23 74-71	725237471	SCREW EHHM		1	
503 21 83-41	503218341	SCREW		1	
531 00 77-70	531007770	GEAR HOUSING		1	
738 21 99-00	738219900	BALL BEARING		1	
531 00 77-25	531007725	GEAR		1	
531 00 77-26	531007726	SHAFT		1	
738 21 02-00	738210200	BALL BEARING		1	
735 31 31-10	735313110	CIRCLIP		1	
502 04 55-01	502045501	NUT		1	
531 00 78-90	531007890	FLANGE	1=25,4MM	1	
531 00 78-91	531007891	CARRIER	1=25,4MM	1	
531 00 77-29	531007729	SEALING RING		1	
531 00 77-28	531007728	RING		1	
531 00 77-30	531007730	SHAFT		1	
738 21 00-00	738210000	BALL BEARING		1	
735 31 12-00	735311200	CIRCLIP		1	
735 31 27-10	735312710	CIRCLIP		1	
738 21 00-01	738210001	BALL BEARING		1	

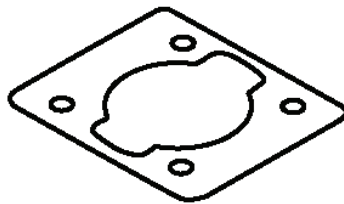
F

503 20 02-25 (x4)

531 00 48-28



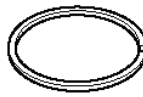
531 00 77-35 (142)
531 00 77-36 (152)



531 00 77-37



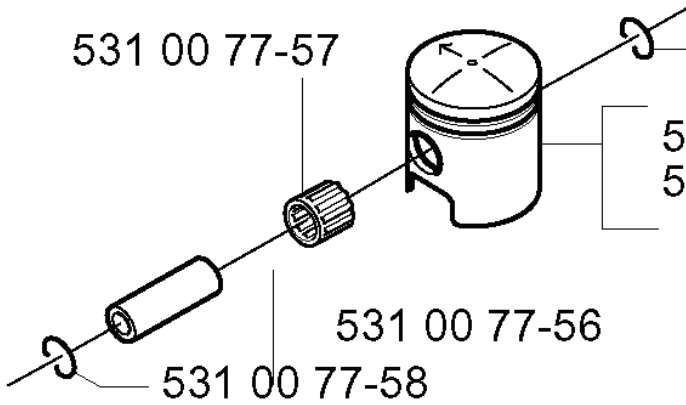
531 00 77-54 (142)



531 00 77-55 (152)

531 00 77-57

531 00 77-58



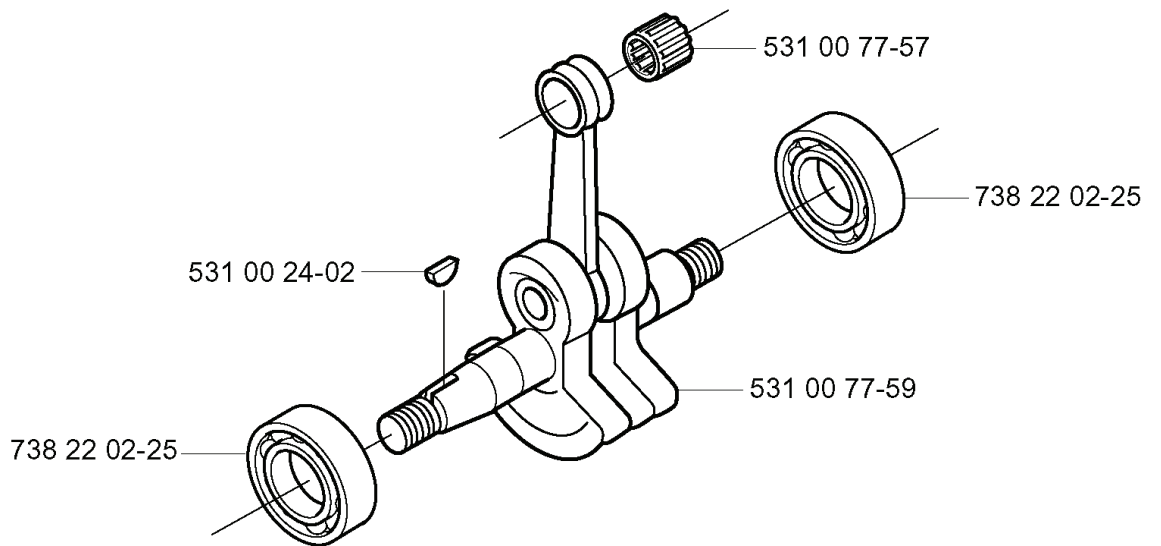
531 00 77-52 (142)
531 00 77-53 (152)

531 00 77-56

531 00 77-58

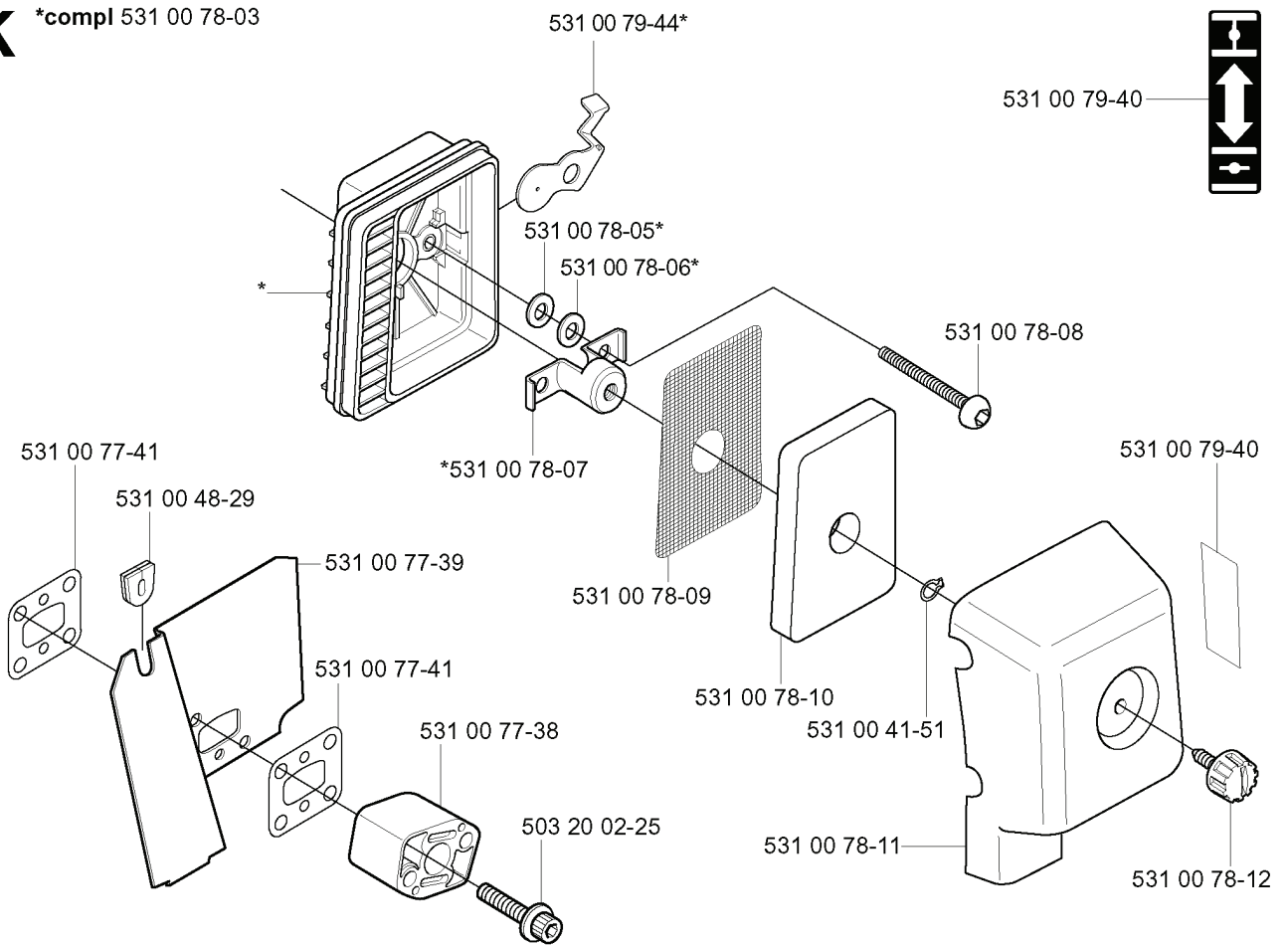
REF.	PART NO.	DESCRIPTION	REMARK	QTY.	KIT
5032002-25	503200225	SCREW IHSCFM		4	
5310077-57	531007757	NEEDLE BEARING		1	
5310077-56	531007756	PISTON BOLT		1	
5310077-53	531007753	PISTON	152	1	
5310077-52	531007752	PISTON	142	1	
5310077-58	531007758	RETAINER RING		1	
5310077-55	531007755	PISTON RING	152	1	
5310077-54	531007754	PISTON RING	142	1	
5310077-37	531007737	GASKET		1	
5310077-36	531007736	CYLINDER	152	1	
5310077-35	531007735	CYLINDER	142	1	
5310048-28	531004828	SPARK PLUG		1	

H



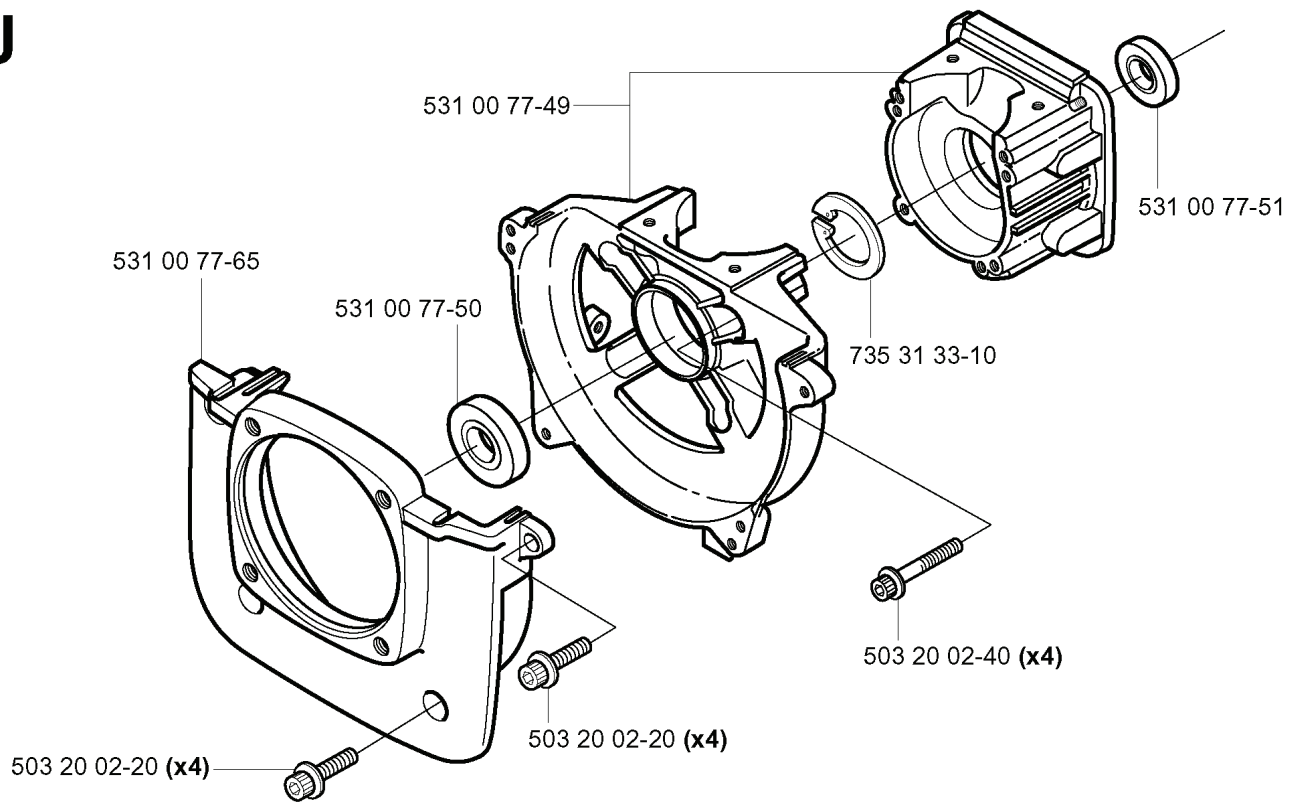
REF.	PART NO.	DESCRIPTION	REMARK	QTY.	KIT
531 00 24-02	531002402	KEY		1	
531 00 77-59	531007759	CRANKSHAFT		1	
738 22 02-25	738220225	BALL BEARING		1	
531 00 77-57	531007757	NEEDLE BEARING		1	

K *compl 531 00 78-03



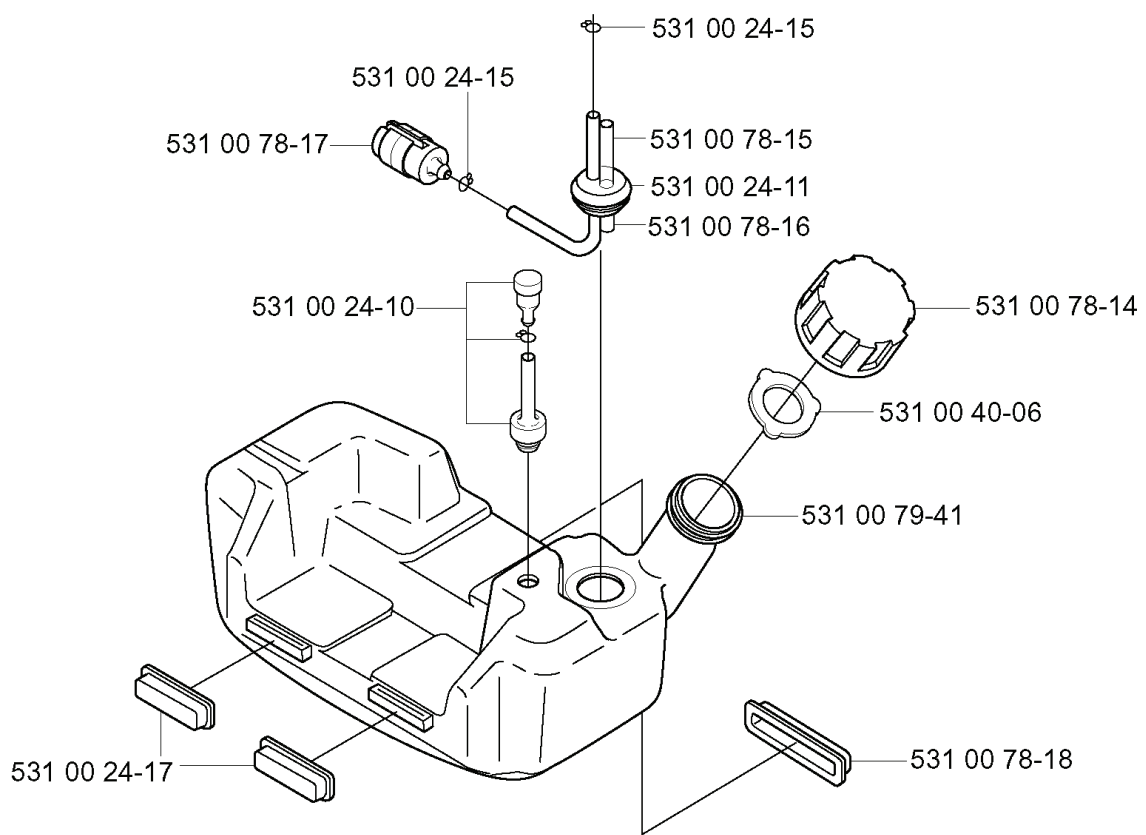
REF.	PART NO.	DESCRIPTION	REMARK	QTY.	KIT
531 00 78-03	531007803	HOUSING		1	
531 00 48-29	531004829	ATTACHMENT		1	
503 20 02-25	503200225	SCREW IHSCFM		1	
531 00 77-38	531007738	SPACER		1	
531 00 77-41	531007741	GASKET		1	
531 00 77-39	531007739	PROTECTOR		1	
531 00 79-44	531007944	CHOKE CONTROL		1	
531 00 78-05	531007805	WASHER		1	
531 00 78-06	531007806	RING		1	
531 00 78-07	531007807	BRACKET		1	
531 00 78-09	531007809	SCREEN		1	
531 00 78-10	531007810	AIR FILTER		1	
531 00 78-11	531007811	COVER		1	
531 00 41-51	531004151	RETAINER RING		1	
531 00 78-12	531007812	SCREW		1	
531 00 79-40	531007940	DECAL		1	
531 00 78-08	531007808	SCREW		1	

J



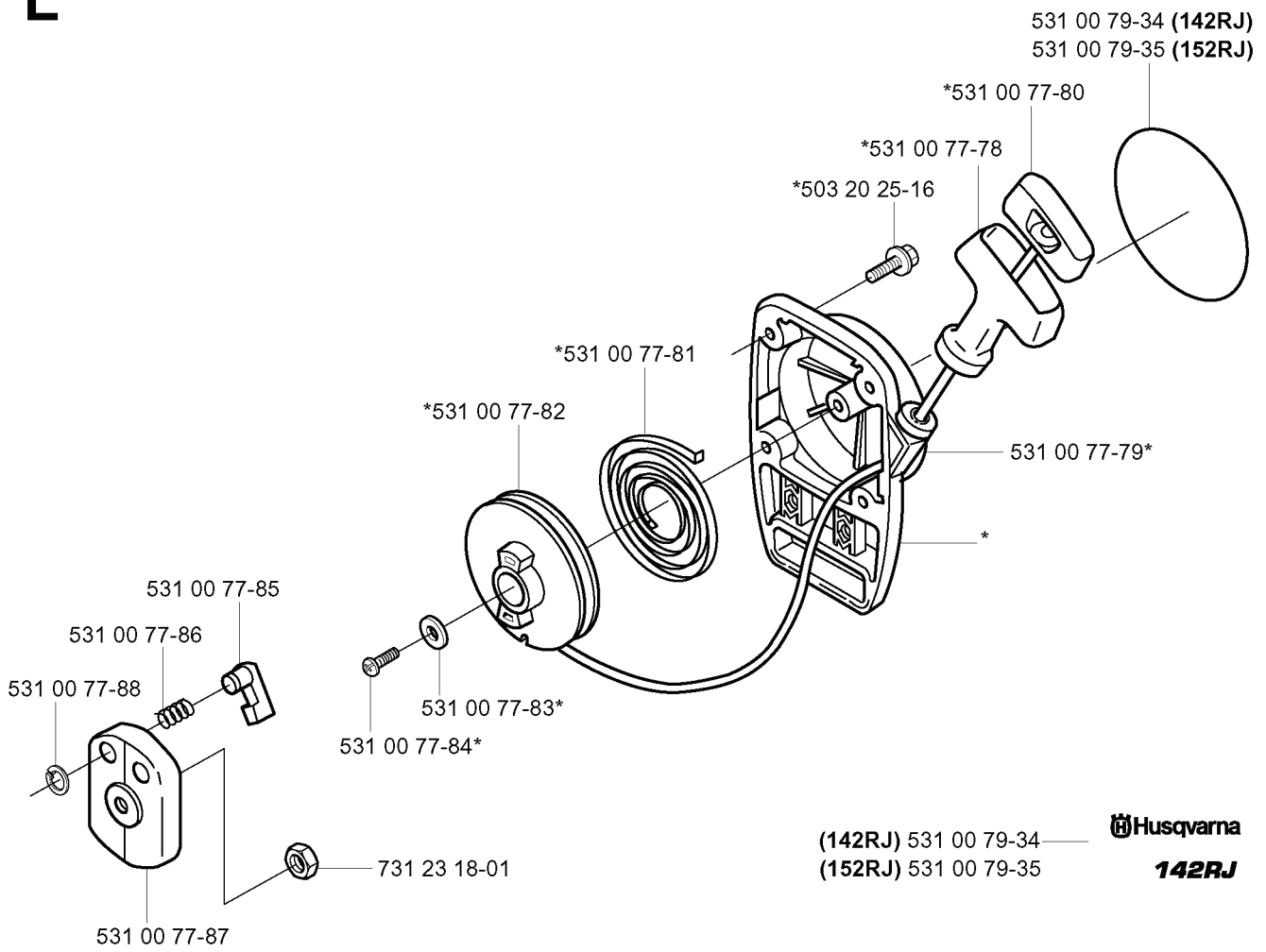
REF.	PART NO.	DESCRIPTION	REMARK	QTY.	KIT
531 00 77-65	531007765	HOUSING		1	
503 20 02-20	503200220	SCREW IHSCFM		4	
531 00 77-50	531007750	SEALING RING		1	
531 00 77-49	531007749	CRANKCASE		1	
503 20 02-40	503200240	SCREW IHSCFM		4	
735 31 33-10	735313310	CIRCLIP		1	
531 00 77-51	531007751	SEALING RING		1	

E



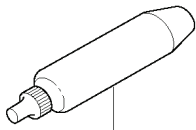
REF.	PART NO.	DESCRIPTION	REMARK	QTY.	KIT
531 00 24-15	531002415	CLIP		1	
531 00 78-17	531007817	FILTER		1	
531 00 24-10	531002410	VALVE		1	
531 00 24-17	531002417	PAD		1	
531 00 78-18	531007818	SLEEVE		1	
531 00 79-41	531007941	TANK UNIT		1	
531 00 40-06	531004006	GASKET		1	
531 00 78-14	531007814	TANK CAP		1	
531 00 78-16	531007816	PIPE		1	
531 00 24-11	531002411	SLEEVE		1	
531 00 78-15	531007815	HOSE		1	

L *compl 531 00 77-33



REF.	PART NO.	DESCRIPTION	REMARK	QTY.	KIT
531 00 77-33	531007733	STARTER ASSY		1	
531 00 77-85	531007785	PAWL		1	
531 00 77-86	531007786	SPRING		1	
531 00 77-88	531007788	RETAINER RING		1	
531 00 77-87	531007787	PLATE		1	
731 23 18-01	731231801	HEXAGON NUT		1	
531 00 77-84	531007784	SCREW		1	
531 00 77-83	531007783	WASHER		1	
531 00 77-82	531007782	STARTER PULLEY		1	
531 00 77-81	531007781	RETURN SPRING		1	
531 00 79-35	531007935	DECAL	152RJ	1	
531 00 77-79	531007779	STARTER ROPE		1	
503 20 25-16	503202516	SCREW IHSCM		1	
531 00 77-78	531007778	HANDLE		1	
531 00 77-80	531007780	INSERT		1	
531 00 79-34	531007934	DECAL	142RJ	1	

Q

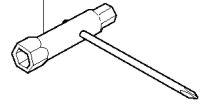


503 97 64-01

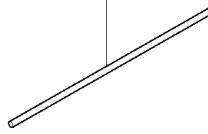
502 21 58-01



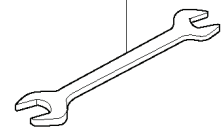
502 19 30-01



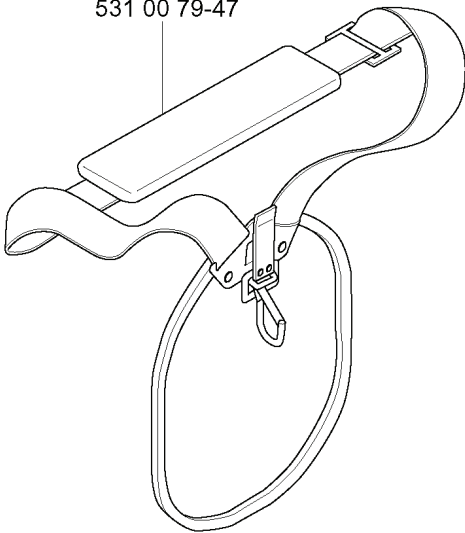
531 00 78-19



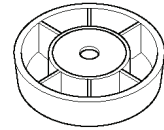
501 31 40-01



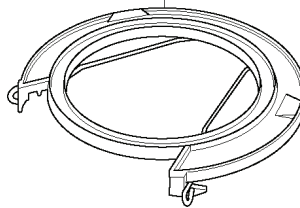
531 00 79-47



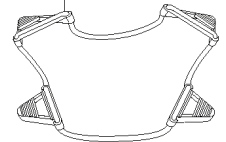
503 90 18-02



502 03 55-03

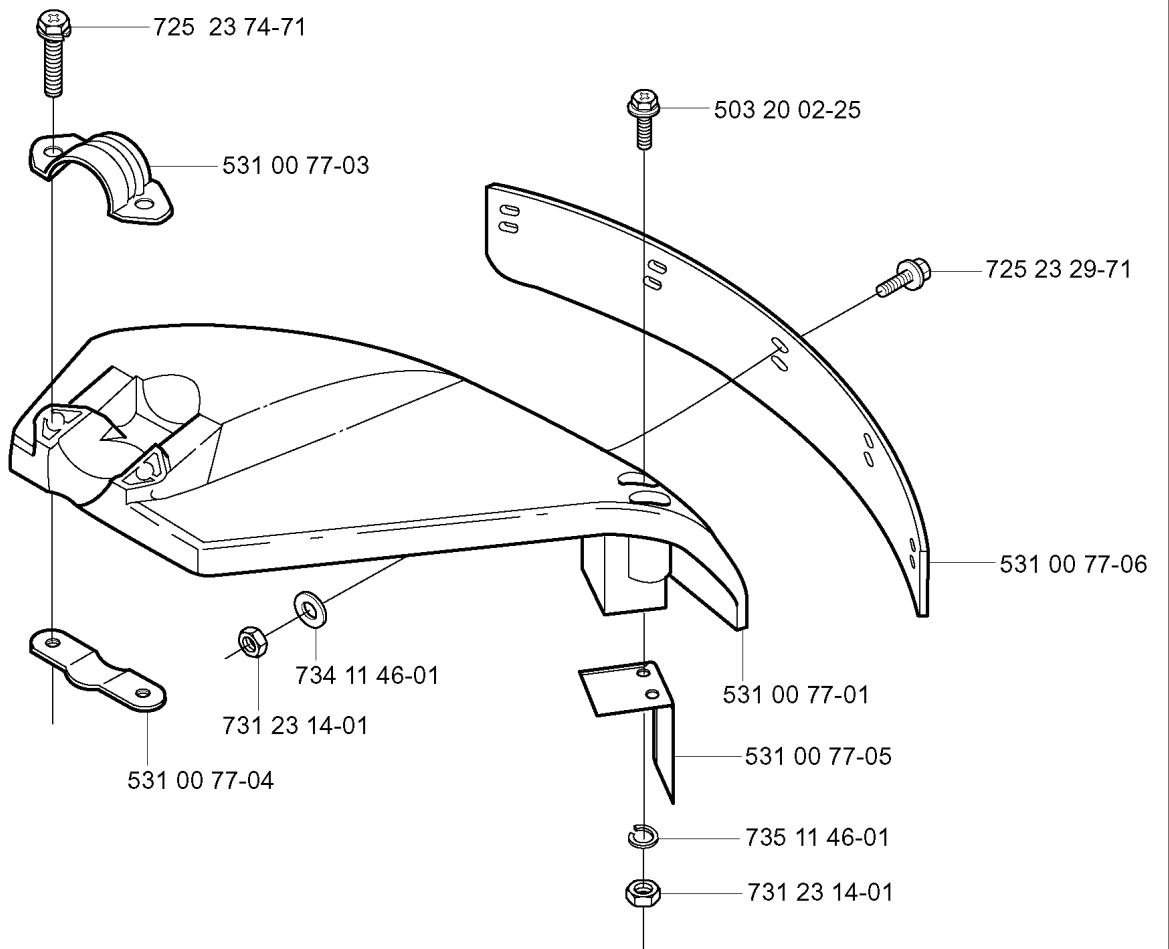


502 03 55-02



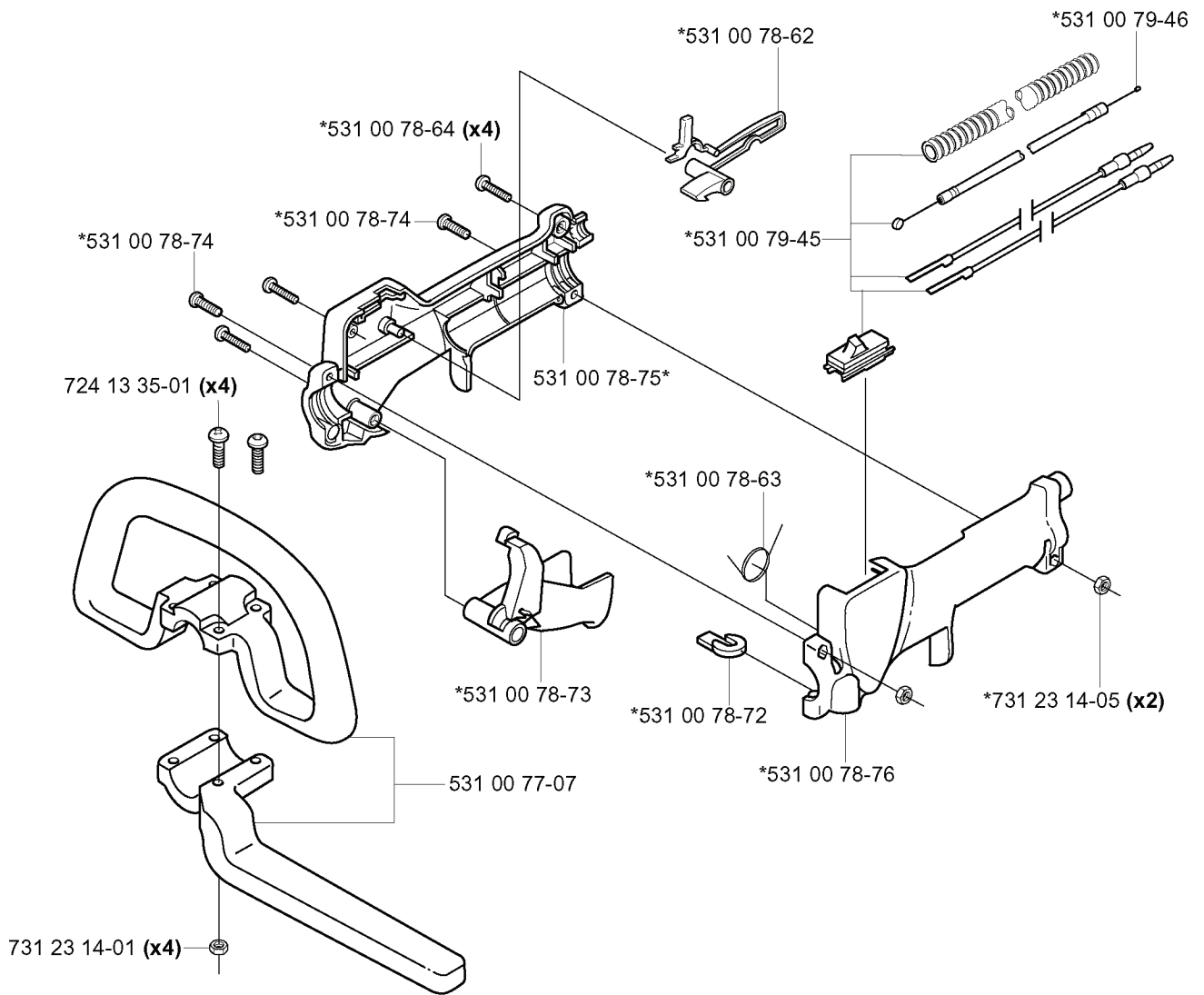
REF.	PART NO.	DESCRIPTION	REMARK	QTY.	KIT
5039764-01	503976401	GREASE		1	
5310079-47	531007947	HARNESS		1	
5020355-03	502035503	TRANSPORT GUARD		1	
5310078-19	531007819	PIN RETAINING SCREW		1	
5022158-01	502215801	WRENCH		1	
5020355-02	502035502	TRANSPORTSKYDD KPL		1	
5039018-02	503901802	SUPPORT CUP		1	
5013140-01	501314001	SPANNER OPEN-ENDED		1	
5021930-01	502193001	COMBI TOOL		1	

P



REF.	PART NO.	DESCRIPTION	REMARK	QTY.	KIT
725 23 74-71	725237471	SCREW EHHM		1	
531 00 77-03	531007703	BRACKET		1	
734 11 46-01	734114601	WASHER		1	
731 23 14-01	731231401	HEXAGON NUT		1	
531 00 77-04	531007704	BRACKET		1	
735 11 46-01	735114601	SPRING WASHER		1	
531 00 77-05	531007705	BLADE		1	
531 00 77-01	531007701	COMBINATION GUARD		1	
531 00 77-06	531007706	PROTECTOR		1	
725 23 29-71	725232971	SCREW EHHM		1	
503 20 02-25	503200225	SCREW IHSCFM		1	

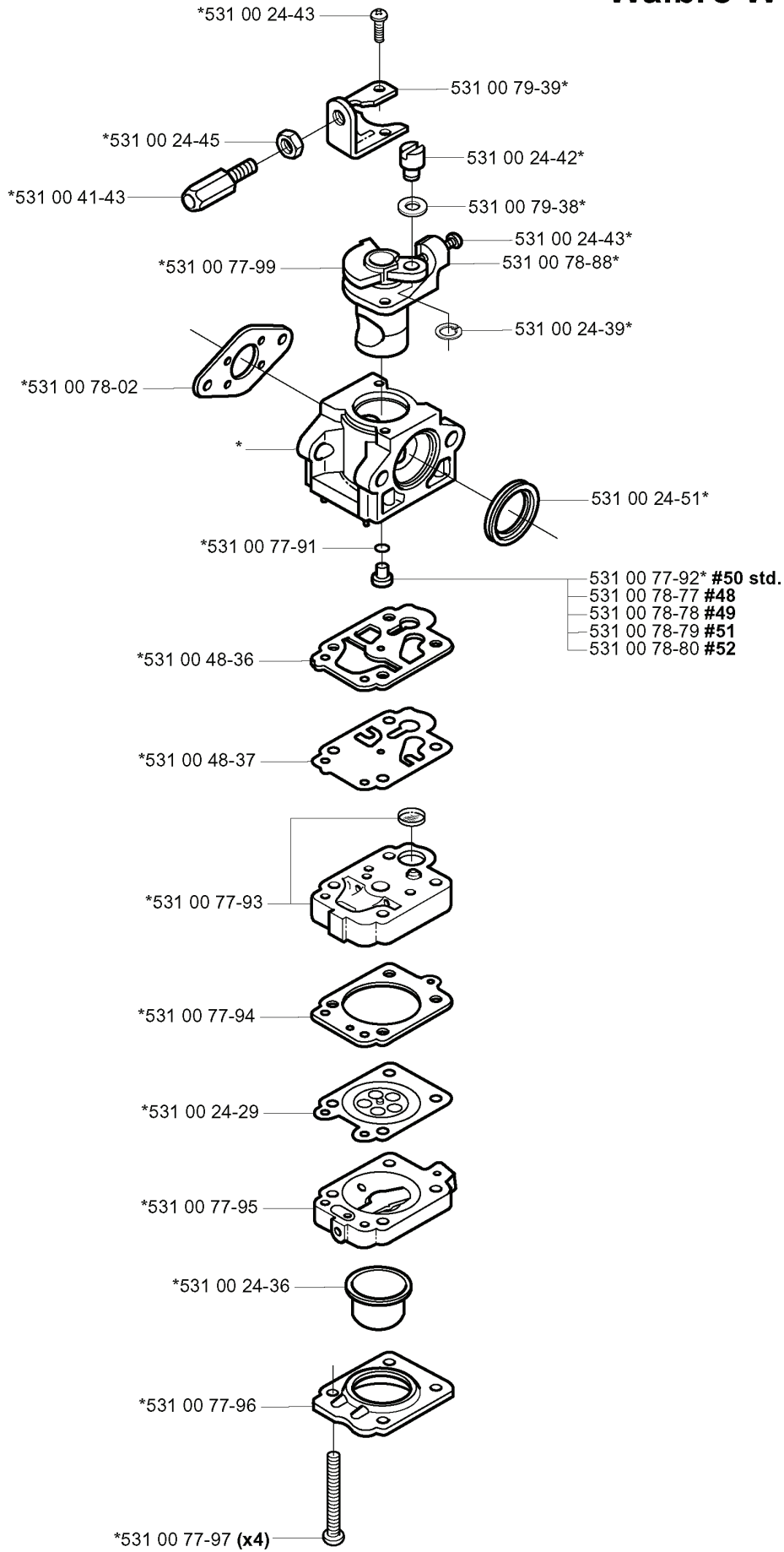
A *compl 531 00 79-29



REF.	PART NO.	DESCRIPTION	REMARK	QTY.	KIT
531 00 79-29	531007929	HANDLE		1	
724 13 35-01	724133501	SCREW CRPANM		4	
731 23 14-01	731231401	HEXAGON NUT		4	
531 00 77-07	531007707	HANDLE		1	
531 00 78-73	531007873	LEVER		1	
531 00 78-75	531007875	HANDLE		1	
531 00 78-74	531007874	SCREW		1	
531 00 78-64	531007864	SCREW		4	
531 00 78-62	531007862	THROTTLE LOCK		1	
531 00 79-45	531007945	CABLE ASSY		1	
531 00 78-63	531007863	RETURN SPRING		1	
531 00 78-72	531007872	COVER		1	
531 00 78-76	531007876	HANDLE		1	
731 23 14-05	731231405	HEXAGON NUT		2	
531 00 79-46	531007946	THROTTLE WIRE		1	

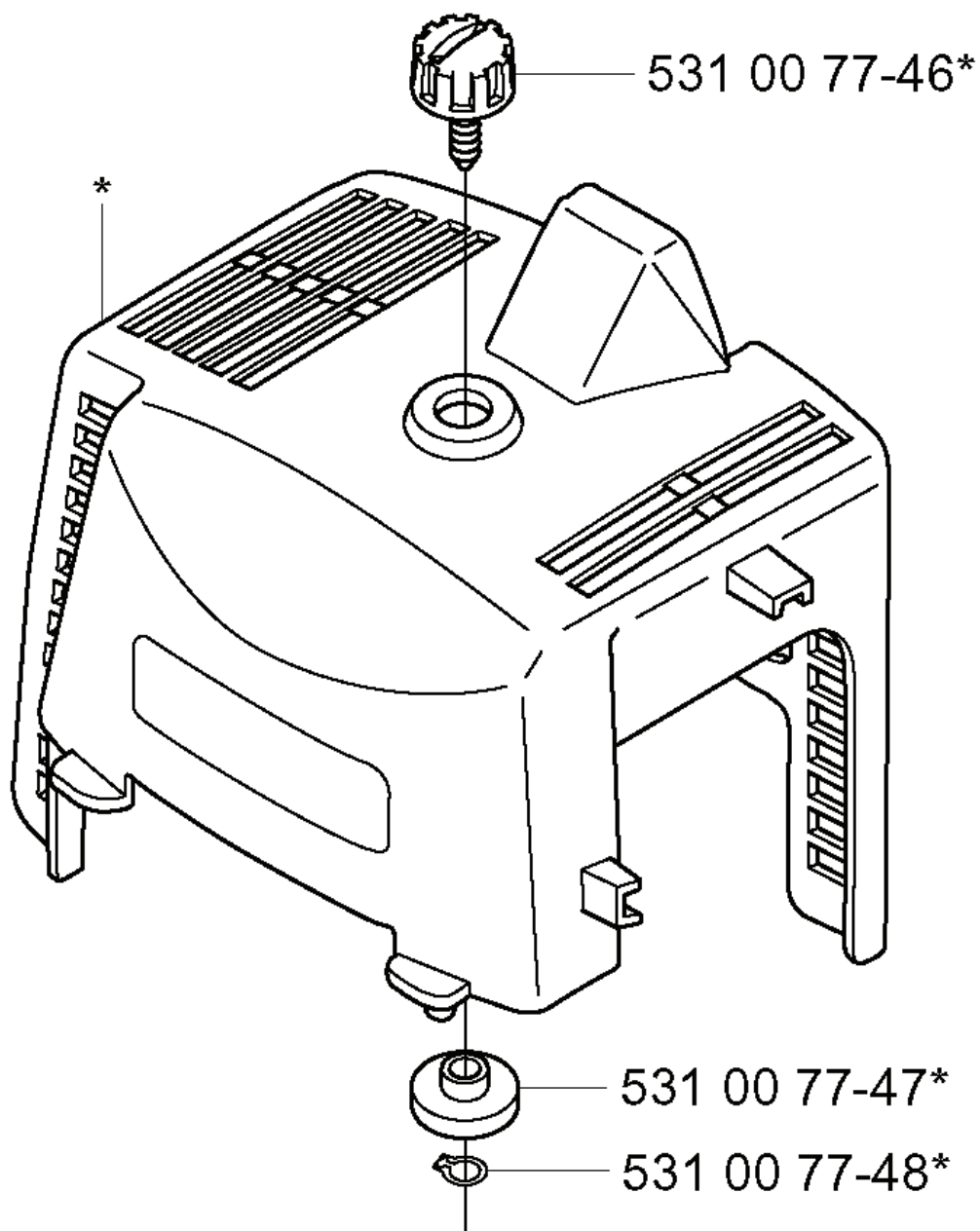
R *compl 531 00 79-36

Walbro WYJ 105A



REF.	PART NO.	DESCRIPTION	REMARK	QTY.	KIT
531 00 79-36	531007936	CARBURETTOR		1	
531 00 24-43	531002443	SCREW		1	
531 00 24-45	531002445	NUT		1	
531 00 41-43	531004143	SCREW		1	
531 00 77-99	531007799	PLUG		1	
531 00 78-02	531007802	GASKET		1	
531 00 77-91	531007791	RING		1	
531 00 48-36	531004836	MOULDING		1	
531 00 48-37	531004837	SPÄNNHJUL		1	
531 00 77-93	531007793	HOUSING		1	
531 00 77-94	531007794	GASKET		1	
531 00 24-29	531002429	DIAPHRAGM		1	
531 00 77-95	531007795	HOUSING		1	
531 00 24-36	531002436	BULB		1	
531 00 77-96	531007796	PLATE		1	
531 00 77-97	531007797	SCREW		4	
531 00 78-80	531007880	JET	#52	1	
531 00 78-79	531007879	JET	#51	1	
531 00 78-78	531007878	JET	#49	1	
531 00 78-77	531007877	JET	#48	1	
531 00 77-92	531007792	JET	#50 STD.	1	
531 00 24-51	531002451	GASKET		1	
531 00 24-39	531002439	CIRCLIP		1	
531 00 78-88	531007888	THROTTLE		1	
531 00 79-38	531007938	WASHER		1	
531 00 24-42	531002442	CONNECTION		1	
531 00 79-39	531007939	BRACKET		1	

G *compl 531 00 77-45



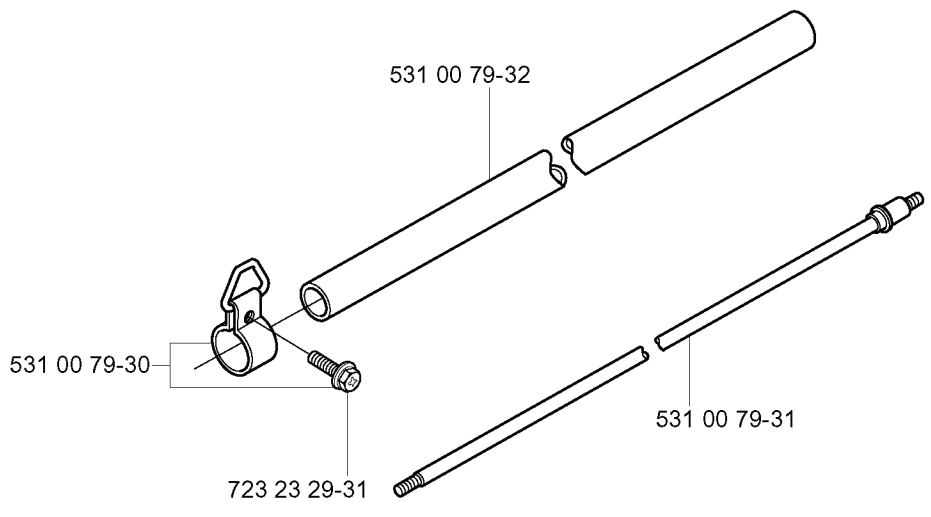
(142RJ) 531 00 79-42

(152RJ) 531 00 79-43

H Husqvarna
142RJ

REF.	PART NO.	DESCRIPTION	REMARK	QTY.	KIT
531 00 77-45	531007745	CYLINDER COVER		1	
531 00 79-42	531007942	DECAL	142RJ	1	
531 00 79-43	531007943	DECAL	152RJ	1	
531 00 77-48	531007748	RETAINER RING		1	
531 00 77-47	531007747	RING		1	
531 00 77-46	531007746	SCREW		1	

M

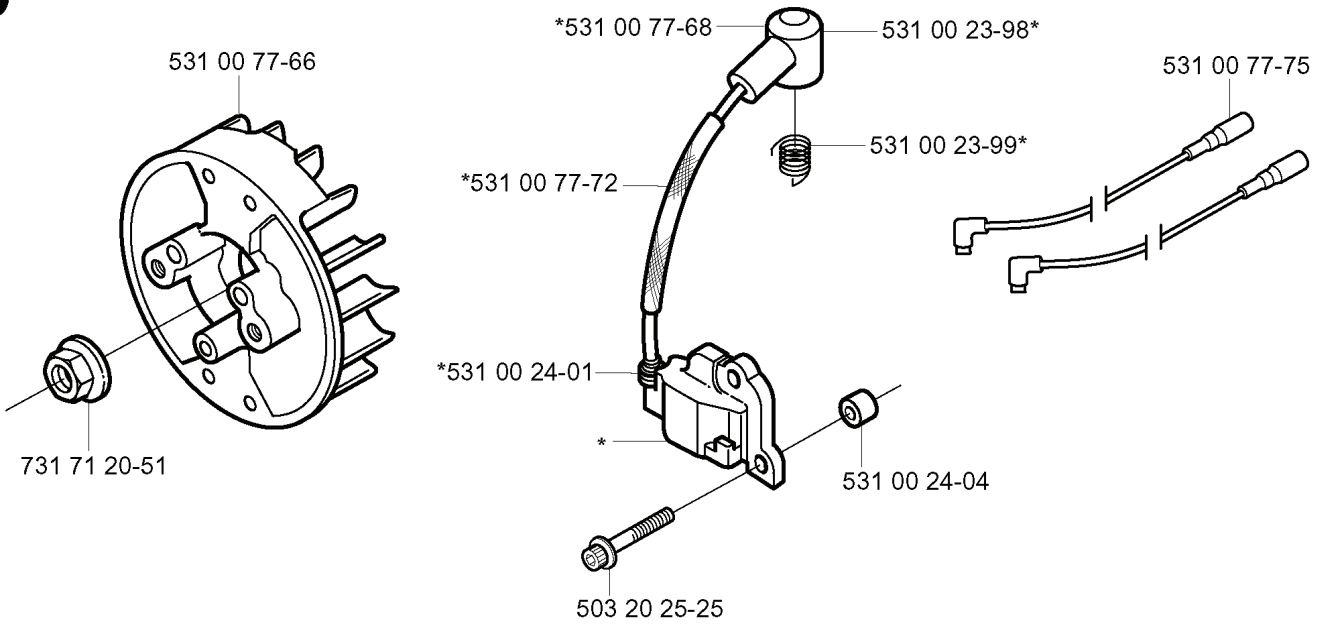


537 02 76-01

A vertical column of icons and symbols. From top to bottom: a CE mark, a GHS hazard symbol (flame), a GHS hazard symbol (skull and crossbones), a GHS hazard symbol (corrosion), a GHS hazard symbol (health hazard), a GHS hazard symbol (environment), a GHS hazard symbol (explosion), a GHS hazard symbol (gas cylinder), a GHS hazard symbol (radioactive), a GHS hazard symbol (biohazard), a GHS hazard symbol (oxidizing), a GHS hazard symbol (irritant), a GHS hazard symbol (sensitizer), a GHS hazard symbol (carcinogen), a GHS hazard symbol (reproductive toxicity), a GHS hazard symbol (aquatic toxicity), a GHS hazard symbol (hazardous to the ozone layer), a GHS hazard symbol (hazardous to the environment), a GHS hazard symbol (hazardous to the atmosphere), a GHS hazard symbol (hazardous to the aquatic environment), a GHS hazard symbol (hazardous to the marine environment), a GHS hazard symbol (hazardous to the terrestrial environment), a GHS hazard symbol (hazardous to the soil), a GHS hazard symbol (hazardous to the land), a GHS hazard symbol (hazardous to the air), a GHS hazard symbol (hazardous to the water), a GHS hazard symbol (hazardous to the land and water), a GHS hazard symbol (hazardous to the air and water), a GHS hazard symbol (hazardous to the land, water, and air), a GHS hazard symbol (hazardous to the land, water, air, and soil), a GHS hazard symbol (hazardous to the land, water, air, soil, and atmosphere), a GHS hazard symbol (hazardous to the land, water, air, soil, atmosphere, and environment), a GHS hazard symbol (hazardous to the land, water, air, soil, atmosphere, environment, and human health), a GHS hazard symbol (hazardous to the land, water, air, soil, atmosphere, environment, human health, and the planet), a GHS hazard symbol (hazardous to the land, water, air, soil, atmosphere, environment, human health, planet, and future generations), a GHS hazard symbol (hazardous to the land, water, air, soil, atmosphere, environment, human health, planet, future generations, and the world), a GHS hazard symbol (hazardous to the land, water, air, soil, atmosphere, environment, human health, planet, future generations, world, and the universe), a GHS hazard symbol (hazardous to the land, water, air, soil, atmosphere, environment, human health, planet, future generations, world, universe, and beyond).

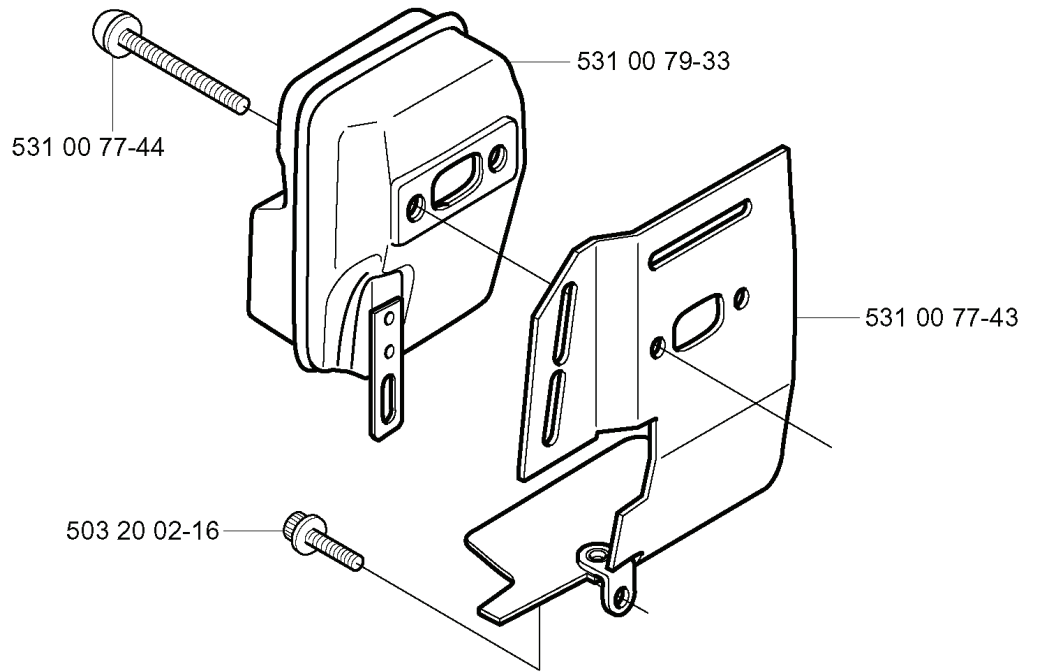
REF.	PART NO.	DESCRIPTION	REMARK	QTY.	KIT
531 00 79-32	531007932	TUBE		1	
531 00 79-30	531007930	EYELET		1	
723 23 29-31	723232931	SCREW SLPANM		1	
531 00 79-31	531007931	SHAFT		1	
537 02 76-01	537027601	LABEL		1	

D *compl 531 00 77-67



REF.	PART NO.	DESCRIPTION	REMARK	QTY.	KIT
531 00 77-67	531007767	IGNITION MODULE		1	
531 00 77-66	531007766	FLYWHEEL		1	
731 71 20-51	731712051	HEXAGON NUT FLANGE		1	
503 20 25-25	503202525	SCREW IHSCM		1	
531 00 24-01	531002401	SLEEVE		1	
531 00 77-72	531007772	PROTECTOR		1	
531 00 77-68	531007768	CABLE		1	
531 00 24-04	531002404	SPACER		1	
531 00 23-99	531002399	SPRING		1	
531 00 23-98	531002398	SPARK PLUG CONNECTION		1	
531 00 77-75	531007775	CABLE		1	

C



REF.	PART NO.	DESCRIPTION	REMARK	QTY.	KIT
531 00 77-44	531007744	SCREW		1	
503 20 02-16	503200216	SCREW IHSCFM		1	
531 00 77-43	531007743	DEFLECTOR		1	
531 00 79-33	531007933	MUFFLER		1	