

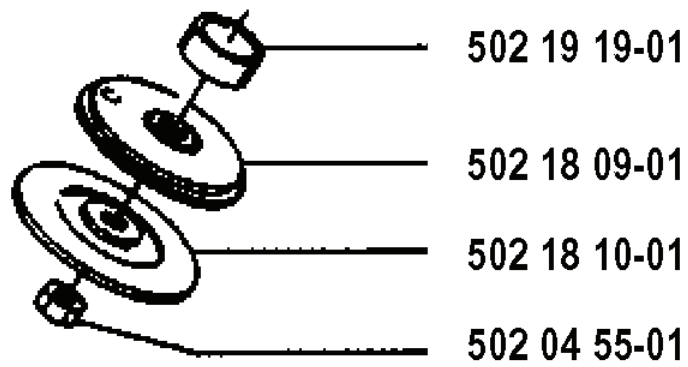
132 R, 19931400001-19994000000

---

# **SPARE PARTS LIST**

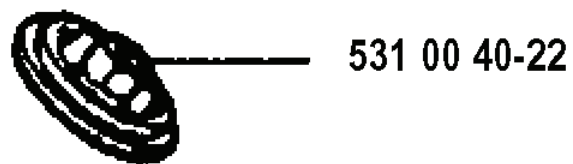
**T**

**R/RD/RJ/RJD**



**U**

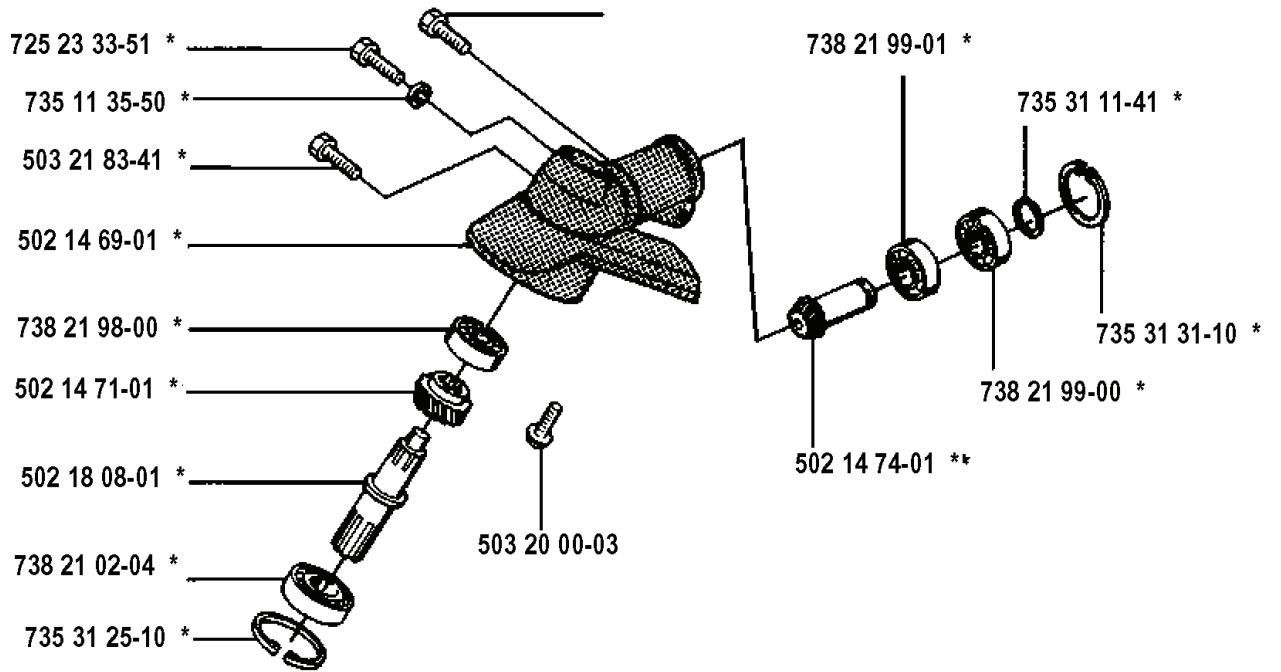
**L/LD**



---

REF.	PART NO.	DESCRIPTION	REMARK	QTY.	KIT
502 19 19-01	502191901	SPACER		1	
502 18 09-01	502180901	DRIVER		1	
502 18 10-01	502181001	FLANGE		1	
531 00 40-22	531004022	CARRIER		1	
502 04 55-01	502045501	NUT		1	

**S**



\* compl 531 00 40-26

REF.	PART NO.	DESCRIPTION	REMARK	QTY.	KIT
725 23 33-51	725233351	SCREW EHHM		1	
735 11 35-50	735113550	WASHER		1	
503 21 83-41	503218341	SCREW		1	
502 14 69-01	502146901	GEAR HOUSING		1	
738 21 98-00	738219800	BALL BEARING		1	
502 14 71-01	502147101	GEAR WHEEL		1	
502 18 08-01	502180801	AXIS		1	
738 21 02-04	738210204	BALL BEARING		1	
735 31 25-10	735312510	CIRCLIP		1	
503 20 00-03	503200003	SCREW		1	
531 00 40-26	531004026	BEVEL GEAR		1	
502 14 74-01	502147401	AXLE		1	
738 21 99-00	738219900	BALL BEARING		1	
735 31 31-10	735313110	CIRCLIP		1	
735 31 11-41	735311141	RETAINER RING		1	
738 21 99-01	738219901	BALL BEARING		1	

**Q**

**J**



725 23 33-51



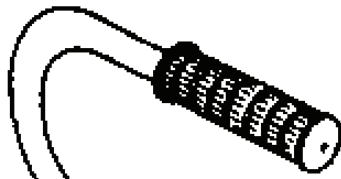
502 19 48-01



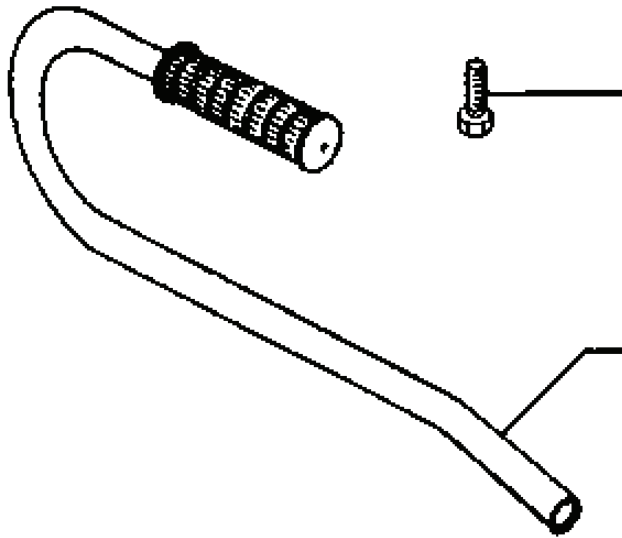
502 19 49-01



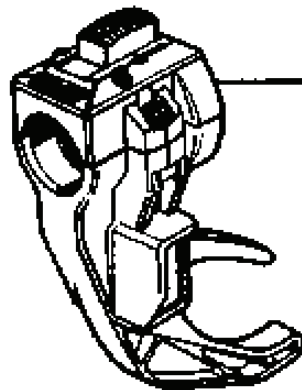
502 19 50-01



725 23 33-51



502 19 47-01



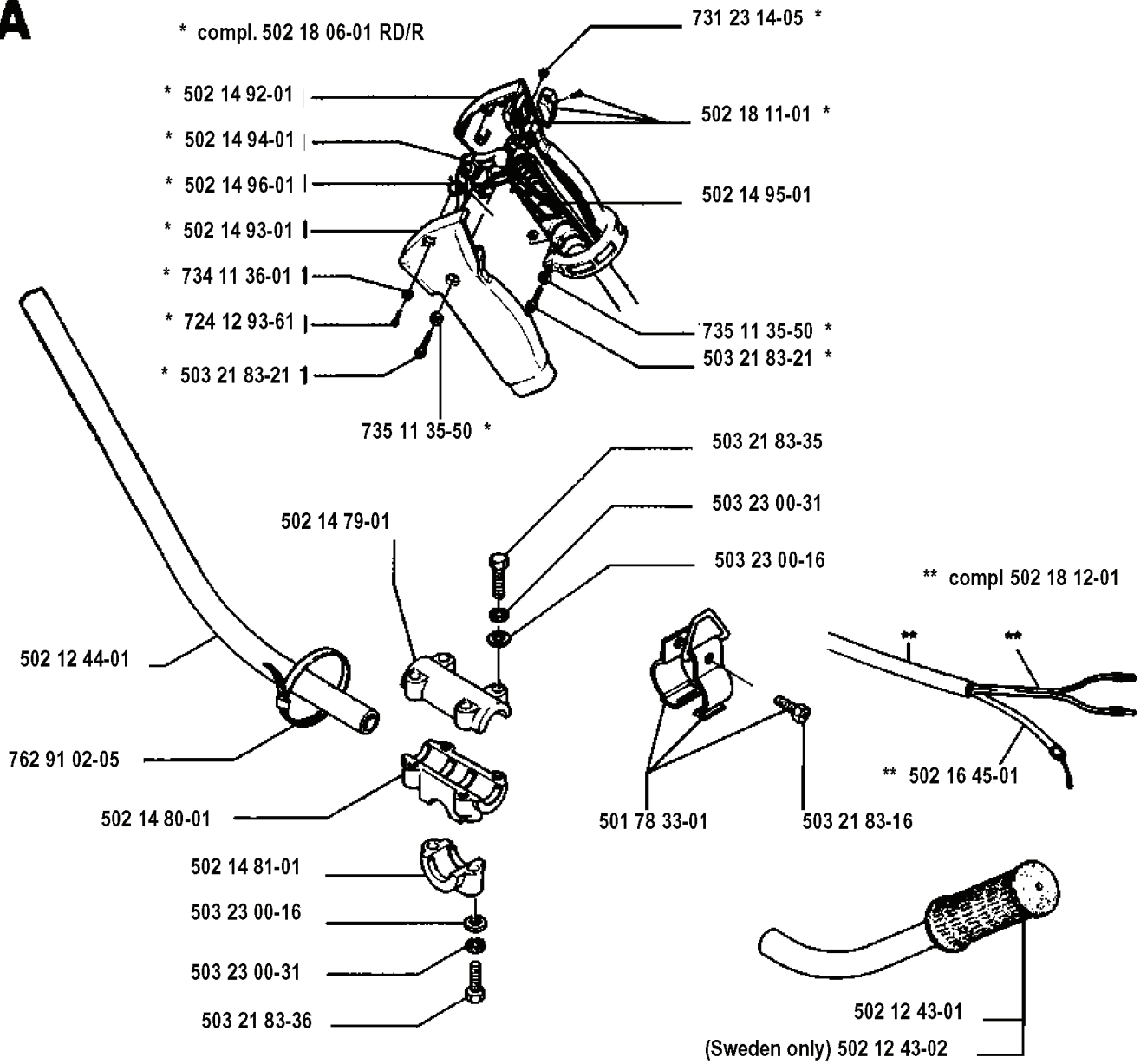
531 00 40-55

---

REF.	PART NO.	DESCRIPTION	REMARK	QTY.	KIT
725 23 33-51	725233351	SCREW EHHM		1	
502 19 48-01	502194801	HOLDER		1	
502 19 49-01	502194901	HOLDER		1	
502 19 50-01	502195001	BRACKET		1	
502 19 47-01	502194701	HANDLE		1	
531 00 40-55	531004055	THROTTLE TRIGGER		1	



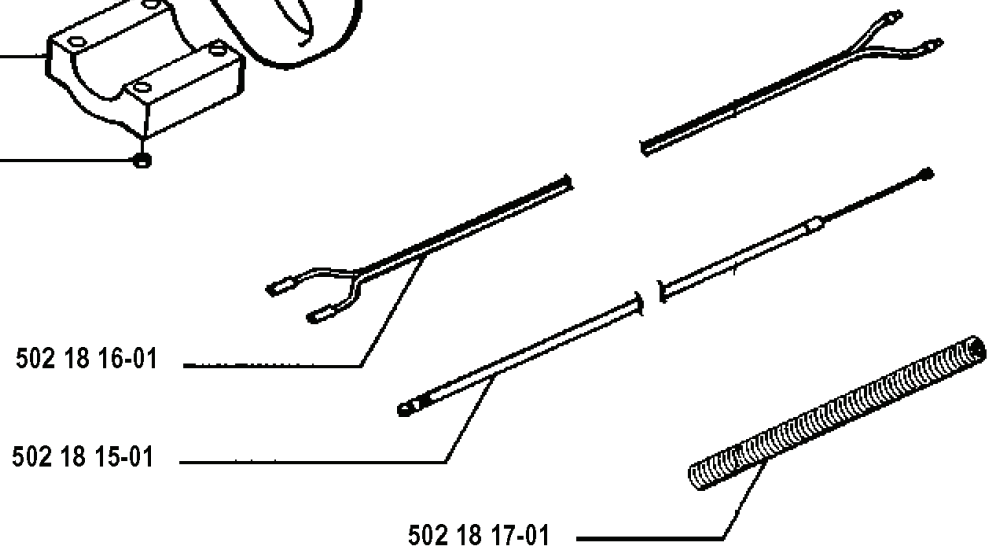
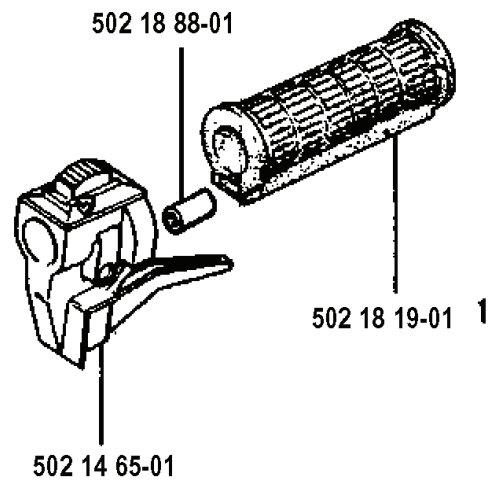
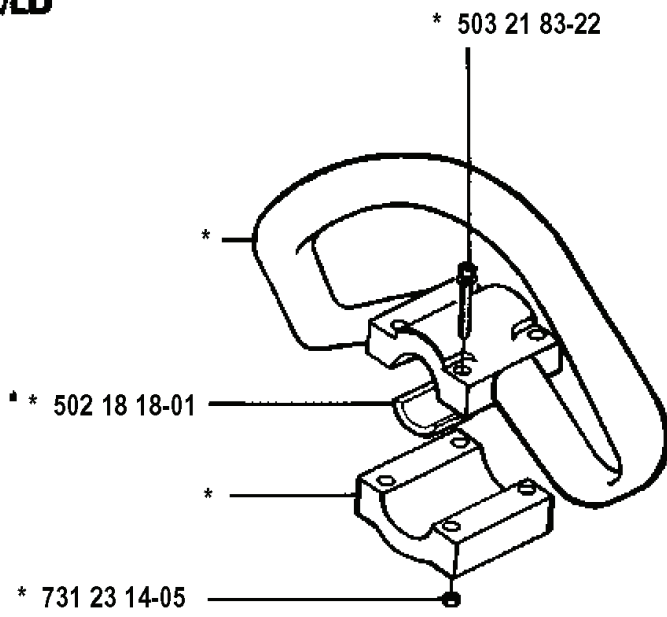
**A**



REF.	PART NO.	DESCRIPTION	REMARK	QTY.	KIT
502 18 06-01	502180601	THROTTLE HANDLE ASSY	RD/R	1	
502 14 92-01	502149201	HANDLE HALF		1	
502 14 94-01	502149401	THROTTLE CONTROL		1	
502 14 96-01	502149601	RECOIL SPRING		1	
502 14 93-01	502149301	HANDLE HALF		1	
734 11 36-01	734113601	WASHER		1	
724 12 93-61	724129361	SCREW CRPANM		1	
502 14 79-01	502147901	HANDLEBAR BRACKET UP		1	
502 12 44-01	502124401	HANDLEBAR RIGHT		1	
762 91 02-05	762910205	TIE WRAP		1	
502 14 80-01	502148001	HANDLEBAR BRACKET LO		1	
502 14 81-01	502148101	HANDLEBAR BRACKET		1	
503 23 00-16	503230016	WASHER		1	
503 23 00-31	503230031	WASHER		1	
503 21 83-36	503218336	SCREW		1	
502 12 43-02	502124302	HANDLE LEFT	SWEDEN ONLY	1	
502 12 43-01	502124301	HANDLEBAR LEFT		1	
501 78 33-01	501783301	SUSPENSION BAIL		1	
503 21 83-16	503218316	SCREW		1	
502 16 45-01	502164501	THROTTLE CABLE ASSY		1	
502 18 12-01	502181201	WIRE ASSY		1	
503 21 83-35	503218335	SCREW		1	
503 21 83-21	503218321	SCREW		1	
735 11 35-50	735113550	WASHER		1	
502 14 95-01	502149501	THROTTLE LOCKOUT		1	
502 18 11-01	502181101	SWITCH CPL		1	
731 23 14-05	731231405	HEXAGON NUT		1	

**O**  
**L/LD**

\* compl. 502 18 14-01



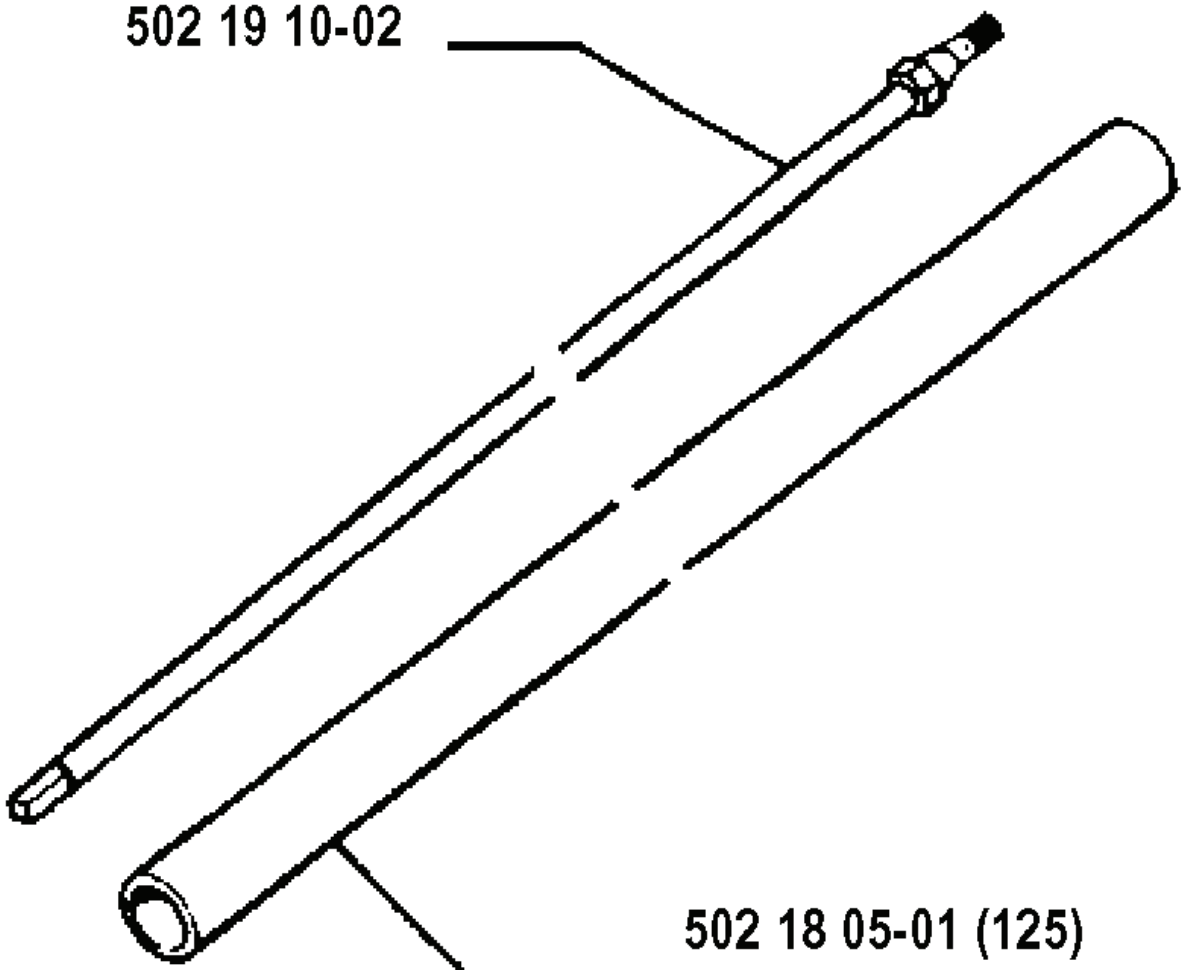
---

REF.	PART NO.	DESCRIPTION	REMARK	QTY.	KIT
502 18 14-01	502181401	HANDLE		1	
503 21 83-22	503218322	SCREW		1	
502 18 18-01	502181801	DAMPER		1	
731 23 14-05	731231405	HEXAGON NUT		1	
502 18 16-01	502181601	LEAD		1	
502 18 15-01	502181501	THROTTLE WIRE		1	
502 18 17-01	502181701	PROTECTOR		1	
502 14 65-01	502146501	THROTTLE CONTROL		1	
502 18 19-01	502181901	HANDLE		1	
502 18 88-01	502188801	CONNECTION		1	

**M**

**R/L**

502 19 10-02



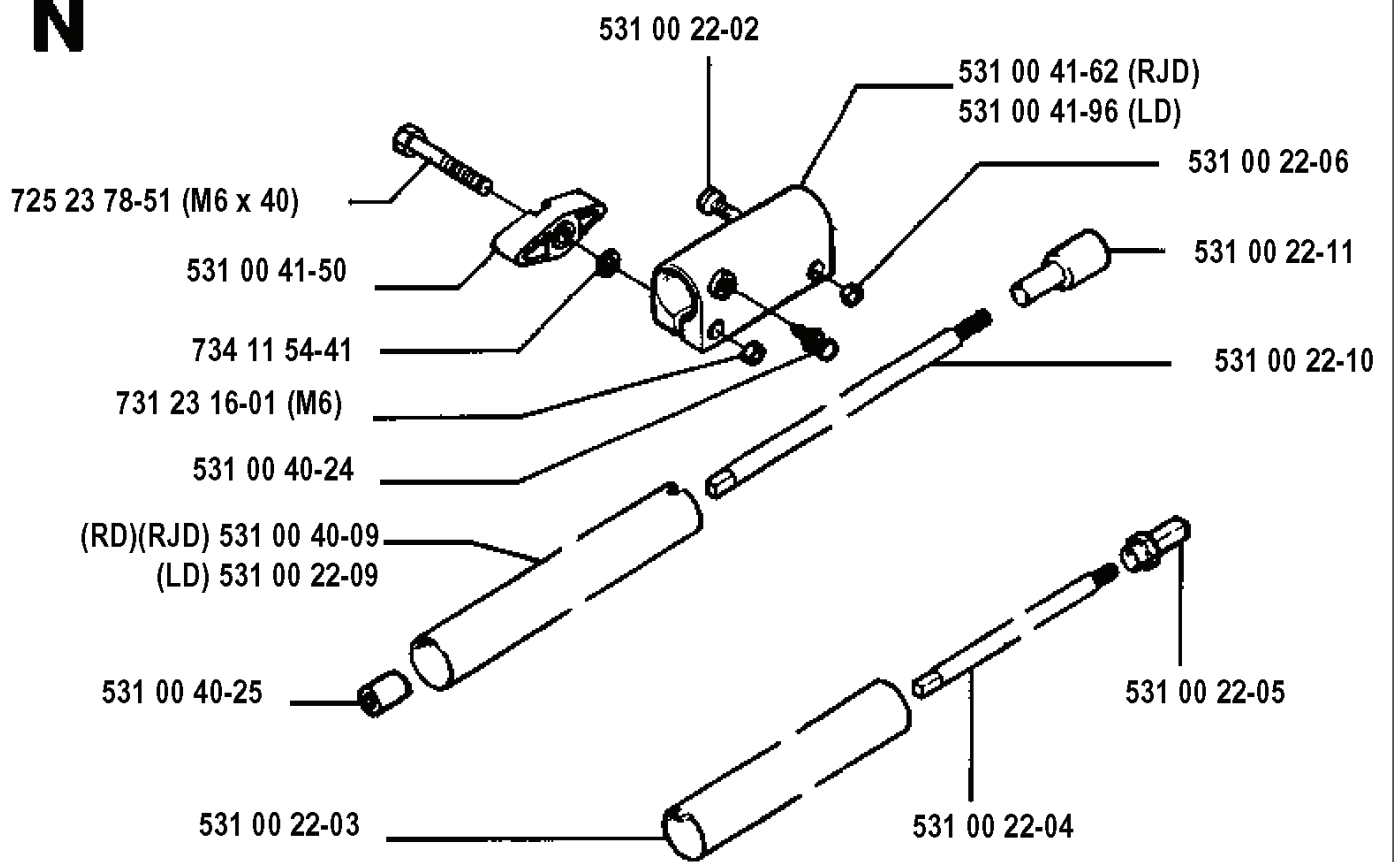
502 18 05-01 (125)

531 00 24-67 (132)

---

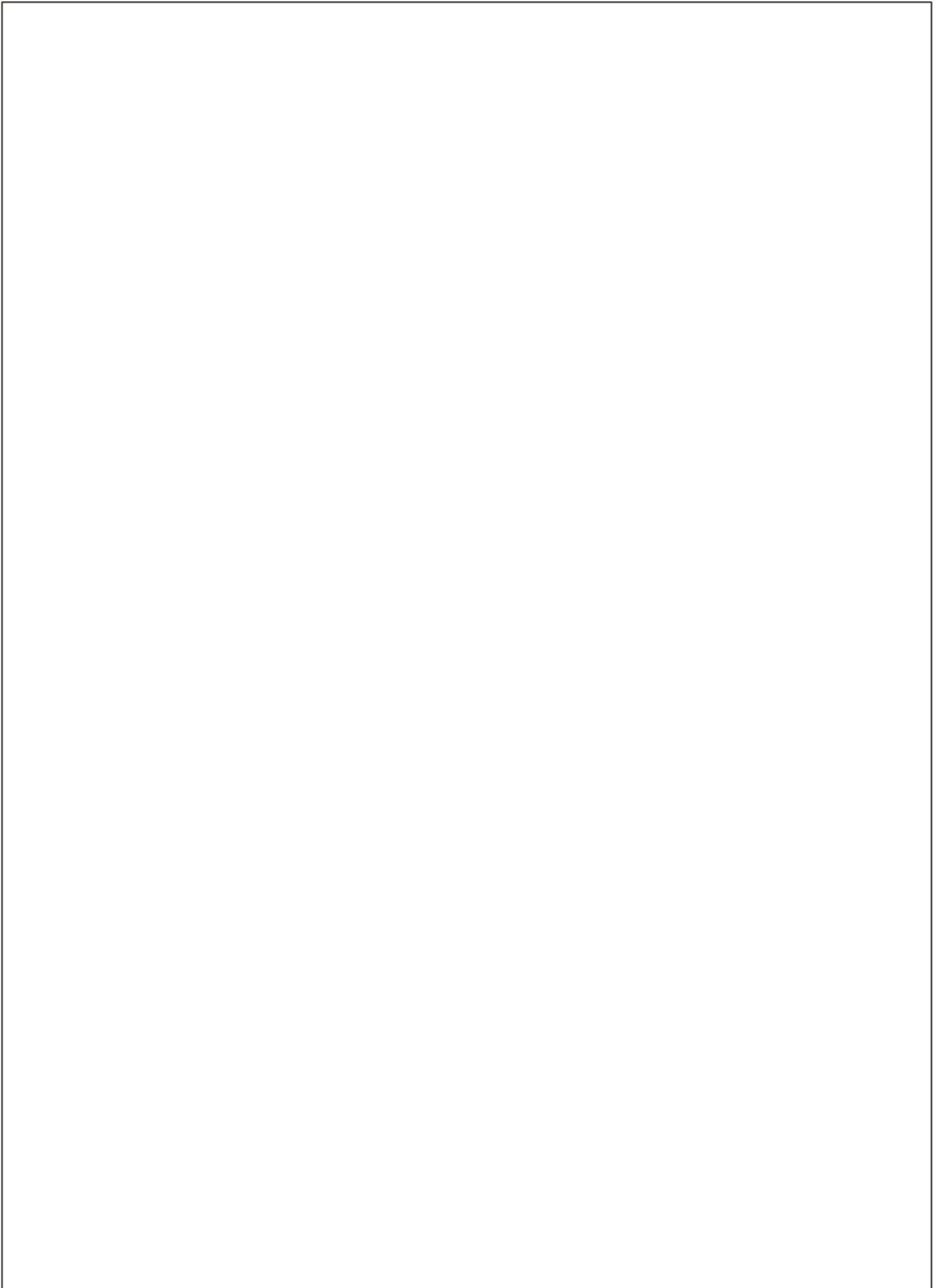
REF.	PART NO.	DESCRIPTION	REMARK	QTY.	KIT
502 19 10-02	502191002	SHAFT		1	
502 18 05-01	502180501	DRIVE TUBE	125	1	
531 00 24-67	531002467	TUBE	132	1	

# N



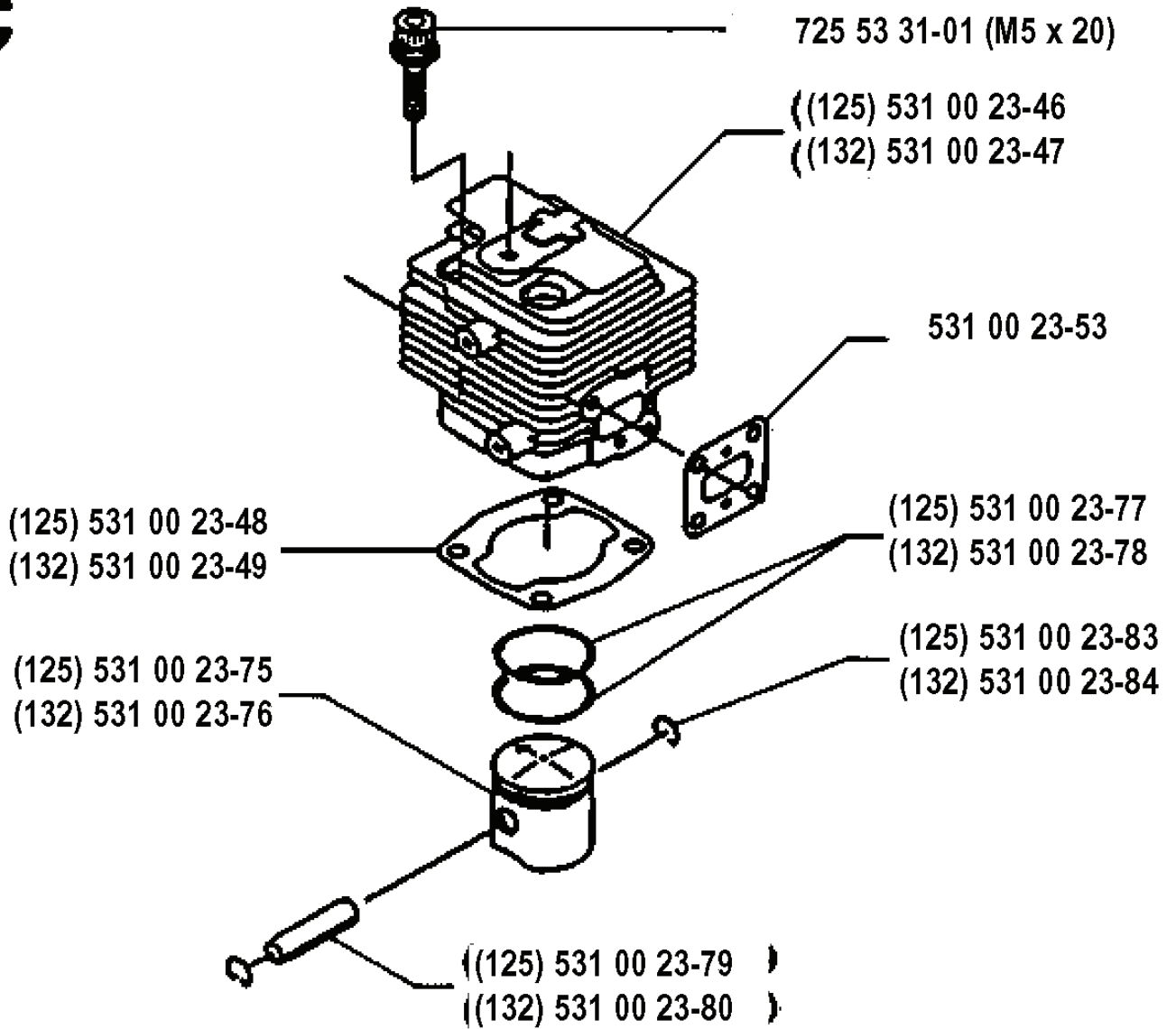
REF.	PART NO.	DESCRIPTION	REMARK	QTY.	KIT
725 23 78-51	725237851	SCREW EHHM	M6 X 40	1	
531 00 41-50	531004150	GRIP		1	
734 11 54-41	734115441	WASHER		1	
731 23 16-01	731231601	HEXAGON NUT	M6	1	
531 00 40-24	531004024	SCREW		1	
531 00 40-09	531004009	TUBE	RD RJD	1	
531 00 22-09	531002209	DRIVER	LD	1	
531 00 40-25	531004025	BUSHING		1	
531 00 22-03	531002203	UPPER DRIVE TUBE		1	
531 00 22-04	531002204	DRIVE SHAFT		1	
531 00 22-05	531002205	ADAPTER		1	
531 00 22-10	531002210	DRIVE SHAFT		1	
531 00 22-11	531002211	ADAPTER		1	
531 00 22-06	531002206	NUT		1	
531 00 41-96	531004196	WASHER	LD	1	
531 00 41-62	531004162	CLUTCH	RJD	1	
531 00 22-02	531002202	SCREW		1	





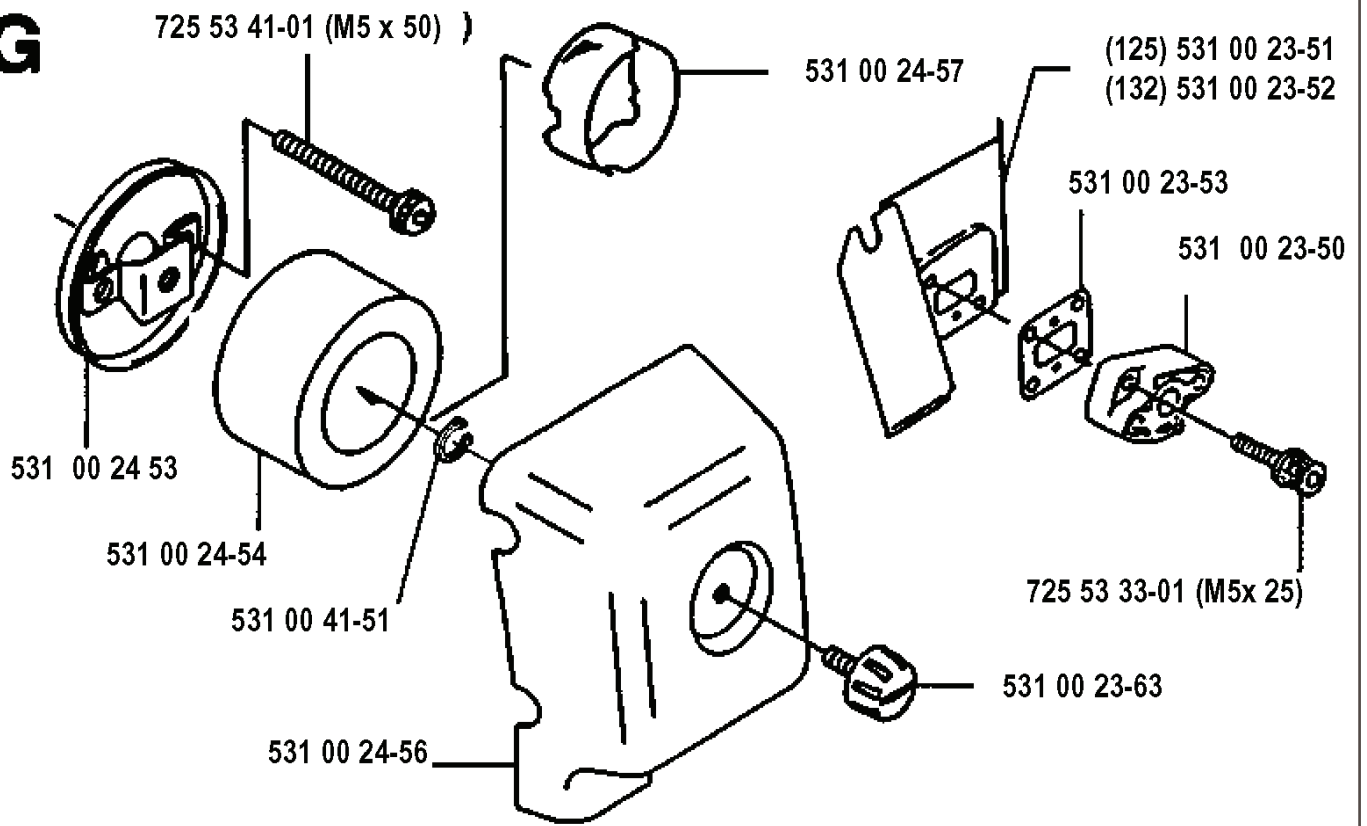
REF.	PART NO.	DESCRIPTION	REMARK	QTY.	KIT
531 00 23-67	531002367	CRANKCASE	132	1	
531 00 23-66	531002366	CRANKCASE	125	1	
531 00 23-73	531002373	RETAINER RING	125	1	
531 00 23-74	531002374	RETAINER RING	132	1	
531 00 23-93	531002393	COVER		1	
531 00 24-06	531002406	PLUG		1	
725 53 31-01	725533101	SCREW IHSCM	M5 X 20	1	
725 53 35-01	725533501	SCREW IHSCM	M5 X 30	1	
531 00 23-71	531002371	SEAL RING	132	1	
531 00 23-72	531002372	SEALING RING	125	1	
531 00 23-70	531002370	SEAL RING		1	

**C**



REF.	PART NO.	DESCRIPTION	REMARK	QTY.	KIT
531 00 23-48	531002348	GASKET	125	1	
531 00 23-49	531002349	GASKET	132	1	
531 00 23-75	531002375	PISTON	125	1	
531 00 23-76	531002376	PISTON	132	1	
531 00 23-79	531002379	PISTON BOLT	125	1	
531 00 23-80	531002380	PISTON BOLT	132	1	
531 00 23-84	531002384	CLIP	132	1	
531 00 23-83	531002383	CLIP	125	1	
531 00 23-78	531002378	PISTON RING	132	1	
531 00 23-77	531002377	PISTON RING	125	1	
531 00 23-53	531002353	GASKET		1	
531 00 23-47	531002347	CYLINDER	132	1	
531 00 23-46	531002346	CYLINDER	125	1	
725 53 31-01	725533101	SCREW IHSCM	M5 X 20	1	

**G**



REF.	PART NO.	DESCRIPTION	REMARK	QTY.	KIT
725 53 41-01	725534101	SCREW IHSCM	M5 X 50	1	
531 00 24-53	531002453	HOLDER		1	
531 00 24-54	531002454	AIR FILTER		1	
531 00 41-51	531004151	RETAINER RING		1	
531 00 24-56	531002456	COVER		1	
531 00 23-63	531002363	SCREW		1	
725 53 33-01	725533301	SCREW IHSCM	M5X 25	1	
531 00 23-50	531002350	INSULSTER		1	
531 00 23-53	531002353	GASKET		1	
531 00 23-52	531002352	PLATE	132	1	
531 00 23-51	531002351	PLATE	125	1	
531 00 24-57	531002457	SCREEN		1	

**F**

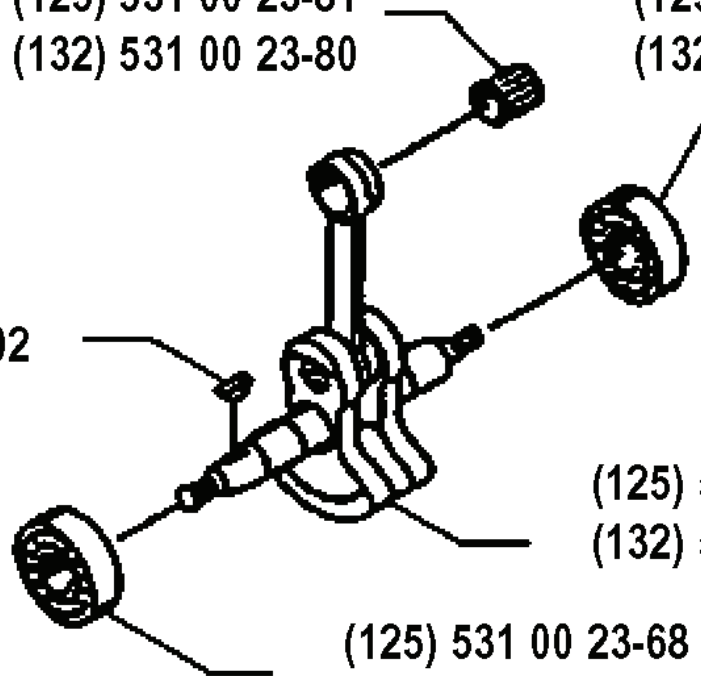
{ (125) 531 00 23-81

{ (132) 531 00 23-80

(125) 531 00 23-68

(132) 531 00 23-69

531 00 24-02



(125) 531 00 23-85

(132) 531 00 23-86

(125) 531 00 23-68

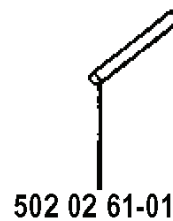
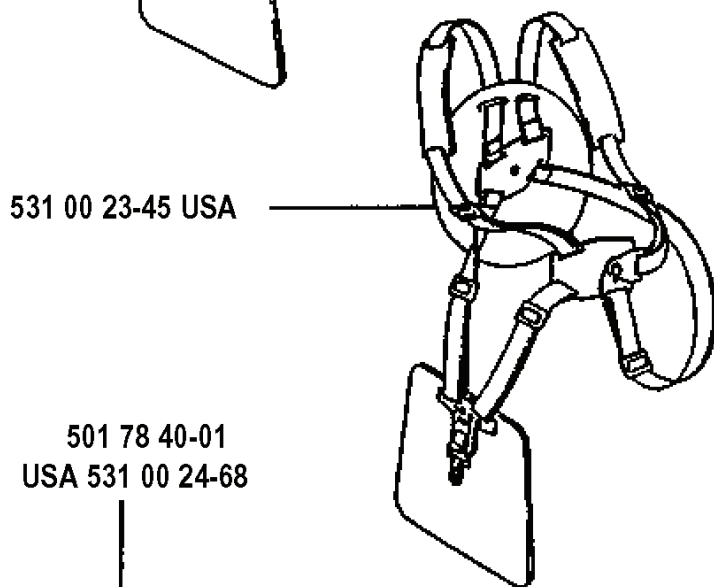
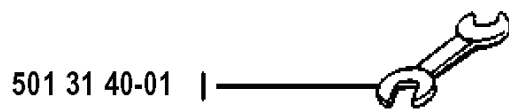
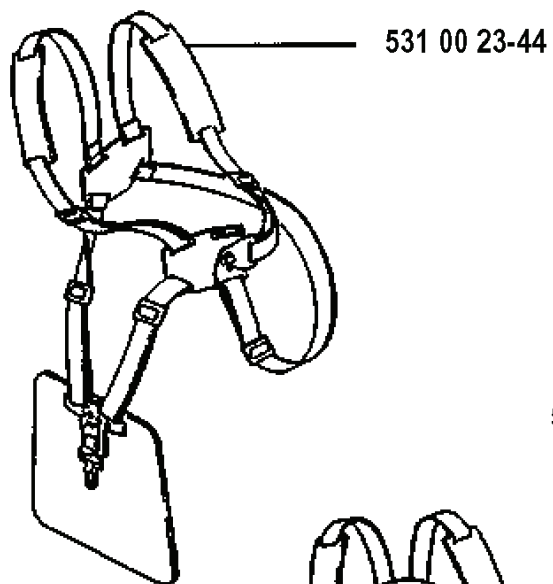
(132) 531 00 23-69

---

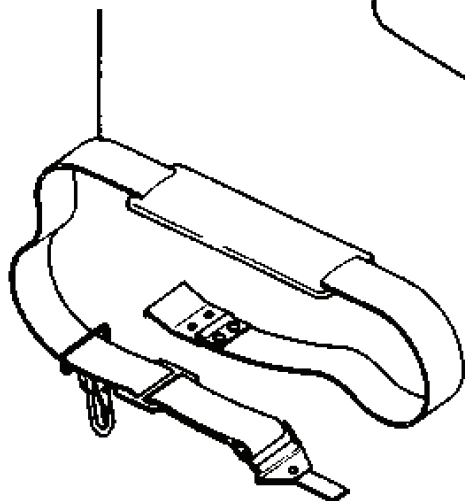
REF.	PART NO.	DESCRIPTION	REMARK	QTY.	KIT
531 00 23-81	531002381	SUPPORT BUSHING	125	1	
531 00 23-80	531002380	PISTON BOLT	132	1	
531 00 24-02	531002402	KEY		1	
531 00 23-69	531002369	BEARING	132	1	
531 00 23-86	531002386	CRANKSHAFT	132	1	
531 00 23-85	531002385	CRANKSHAFT	125	1	
531 00 23-68	531002368	BEARING	125	1	



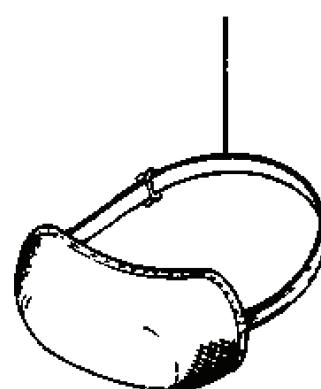
# R



501 78 40-01  
USA 531 00 24-68



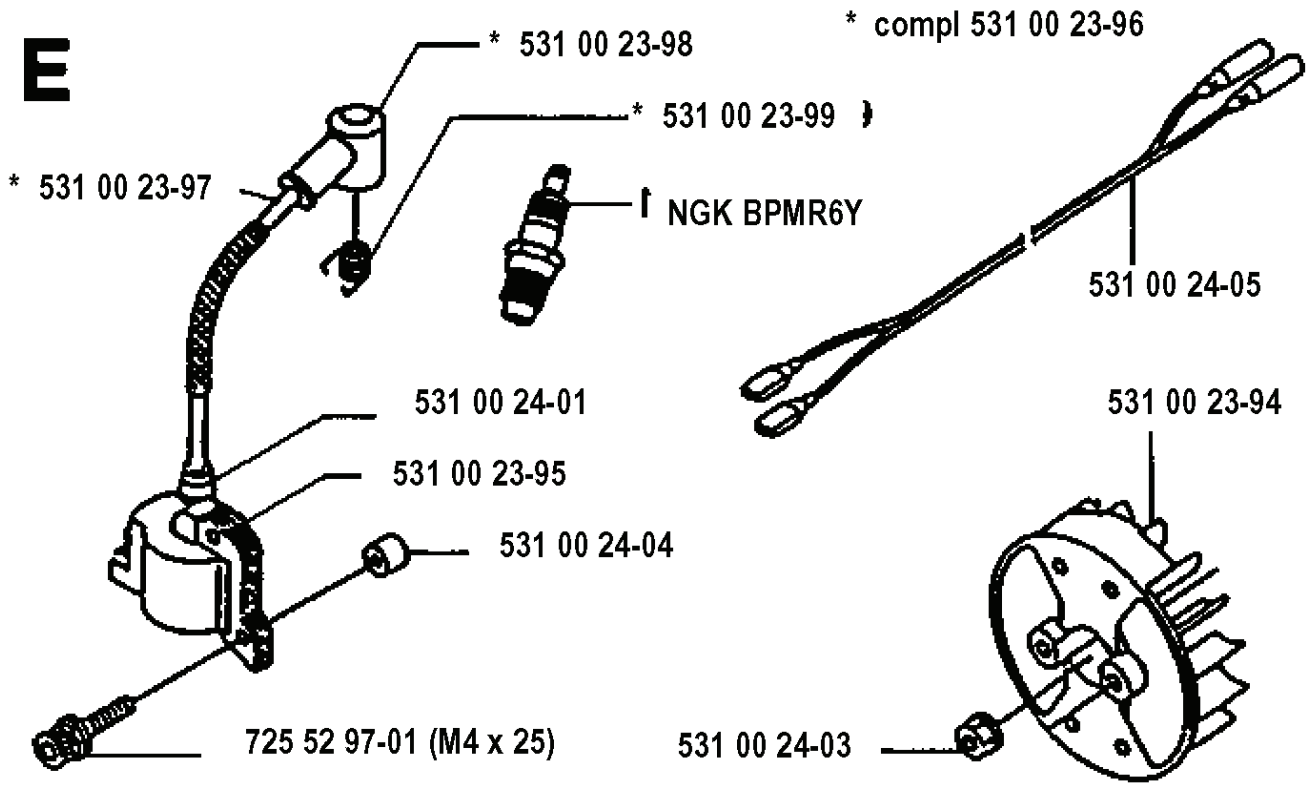
501 95 49-01



---

REF.	PART NO.	DESCRIPTION	REMARK	QTY.	KIT
5310023-45	531002345	HARNESS	USA	1	
5017840-01	501784001	HARNESS		1	
5310024-68	531002468	HARNESS	USA	1	
5019549-01	501954901	SAFETY GLASSES		1	
5020261-01	502026101	STOP		1	
5013140-01	501314001	SPANNER OPEN-ENDED		1	
5021930-01	502193001	COMBI TOOL		1	
5310023-44	531002344	HARNESS		1	

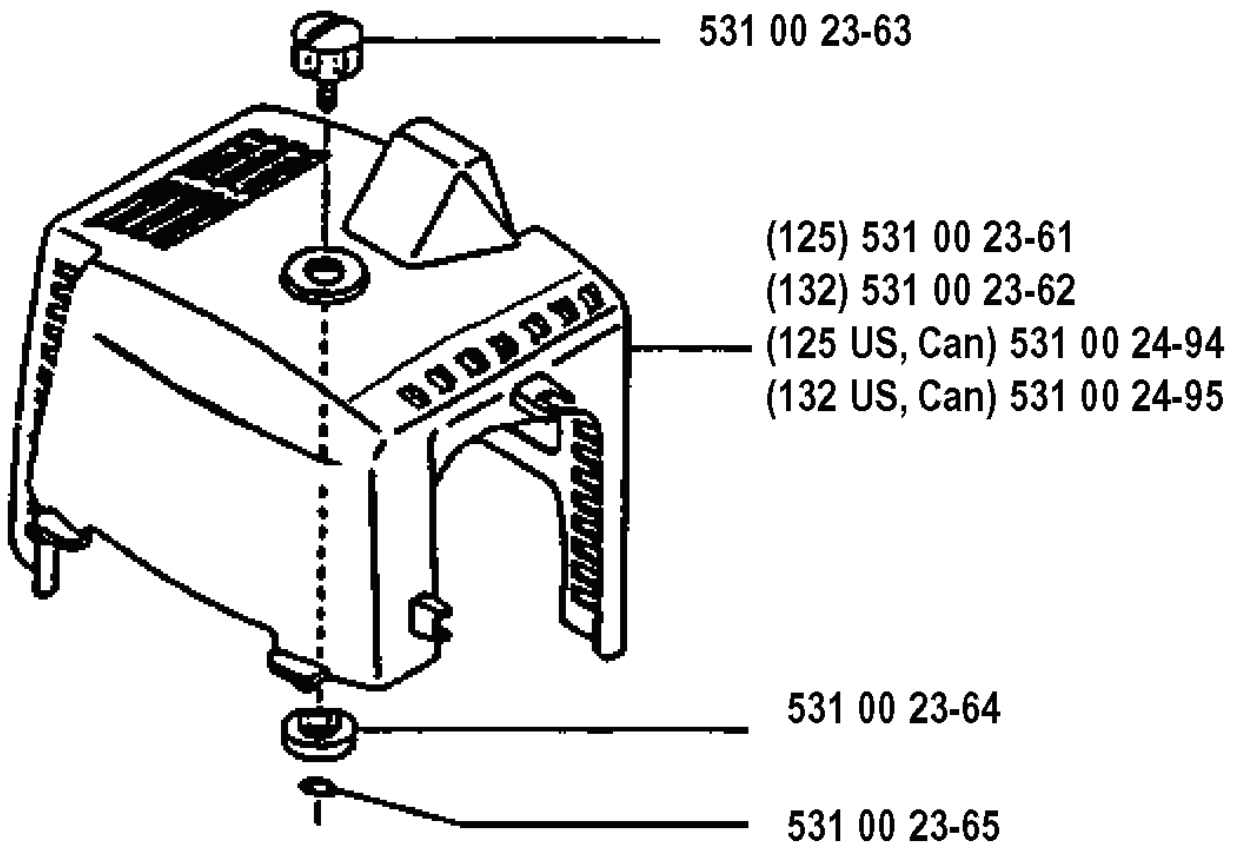
**E**



---

REF.	PART NO.	DESCRIPTION	REMARK	QTY.	KIT
531 00 23-97	531002397	CABLE		1	
531 00 24-01	531002401	SLEEVE		1	
531 00 23-95	531002395	IGNITION COIL		1	
531 00 24-04	531002404	SPACER		1	
725 52 97-01	725529701	SCREW IHSCM	M4 X 25	1	
531 00 24-03	531002403	NUT		1	
531 00 23-94	531002394	FLYWHEEL		1	
531 00 24-05	531002405	CABLE		1	
531 00 23-99	531002399	SPRING		1	
531 00 23-98	531002398	SPARK PLUG CONNECTION		1	
531 00 23-96	531002396	CABLE ASSY		1	

**D**

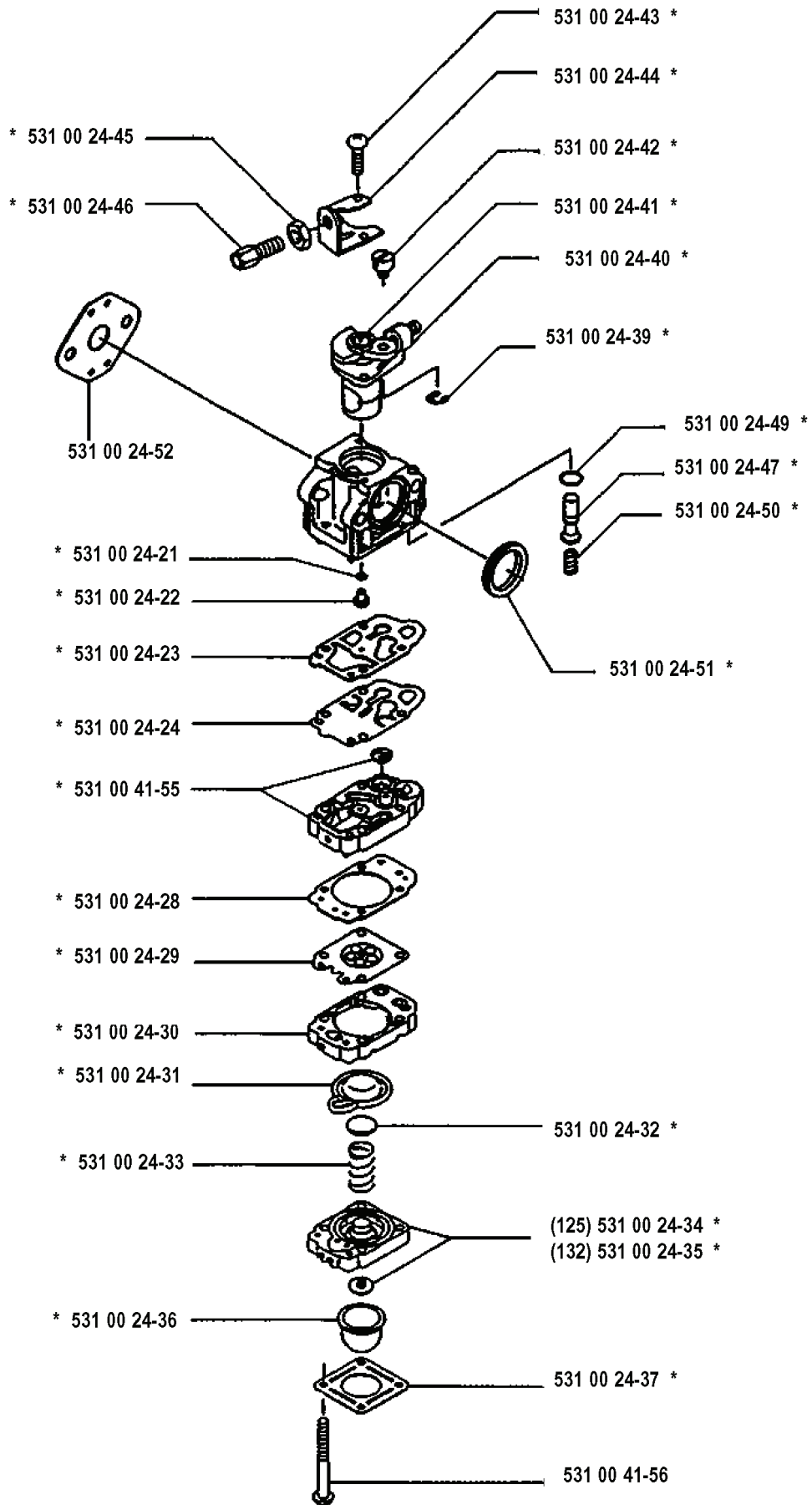


---

REF.	PART NO.	DESCRIPTION	REMARK	QTY.	KIT
531 00 23-63	531002363	SCREW		1	
531 00 23-61	531002361	COVER	125	1	
531 00 23-62	531002362	COVER	132	1	
531 00 24-94	531002494	COVER	125 US, CAN	1	
531 00 24-95	531002495	COVER	132 US, CAN	1	
531 00 23-64	531002364	SPACER		1	
531 00 23-65	531002365	RETAINER RING		1	

**P**

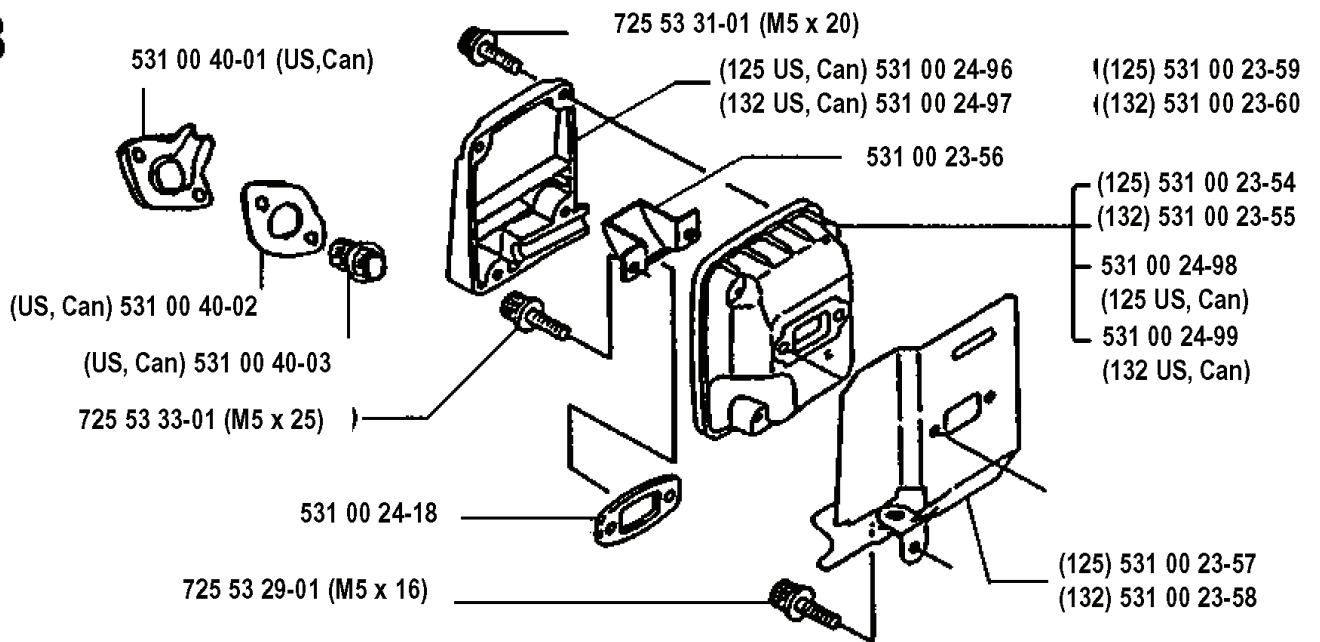
- \* compl 531 00 24-50 (132)
- \* compl 531 00 24-19 (125)



REF.	PART NO.	DESCRIPTION	REMARK	QTY.	KIT
531 00 24-50	531002450	SPRING	132	1	
531 00 24-19	531002419	CARBURETTOR	125	1	
531 00 24-45	531002445	NUT		1	
531 00 24-46	531002446	SCREW		1	
531 00 24-52	531002452	GASKET		1	
531 00 24-21	531002421	O-RING		1	
531 00 24-22	531002422	JET		1	
531 00 24-23	531002423	GASKET		1	
531 00 24-24	531002424	DIAPHRAGM		1	
531 00 41-55	531004155	PUMP BODY		1	
531 00 24-28	531002428	GASKET		1	
531 00 24-29	531002429	DIAPHRAGM		1	
531 00 24-30	531002430	HOUSING		1	
531 00 24-31	531002431	DIAPHRAGM		1	
531 00 24-33	531002433	SPRING		1	
531 00 24-36	531002436	BULB		1	
531 00 41-56	531004156	SCREW		1	
531 00 24-37	531002437	COVER		1	
531 00 24-35	531002435	HOUSING	132	1	
531 00 24-34	531002434	HOUSING	125	1	
531 00 24-32	531002432	HOLDER		1	
531 00 24-51	531002451	GASKET		1	
531 00 24-47	531002447	VALVE		1	
531 00 24-49	531002449	O-RING		1	
531 00 24-39	531002439	CIRCLIP		1	
531 00 24-40	531002440	THROTTLE VALVE		1	
531 00 24-41	531002441	PLUG		1	
531 00 24-42	531002442	CONNECTION		1	
531 00 24-44	531002444	BRACKET		1	
531 00 24-43	531002443	SCREW		1	

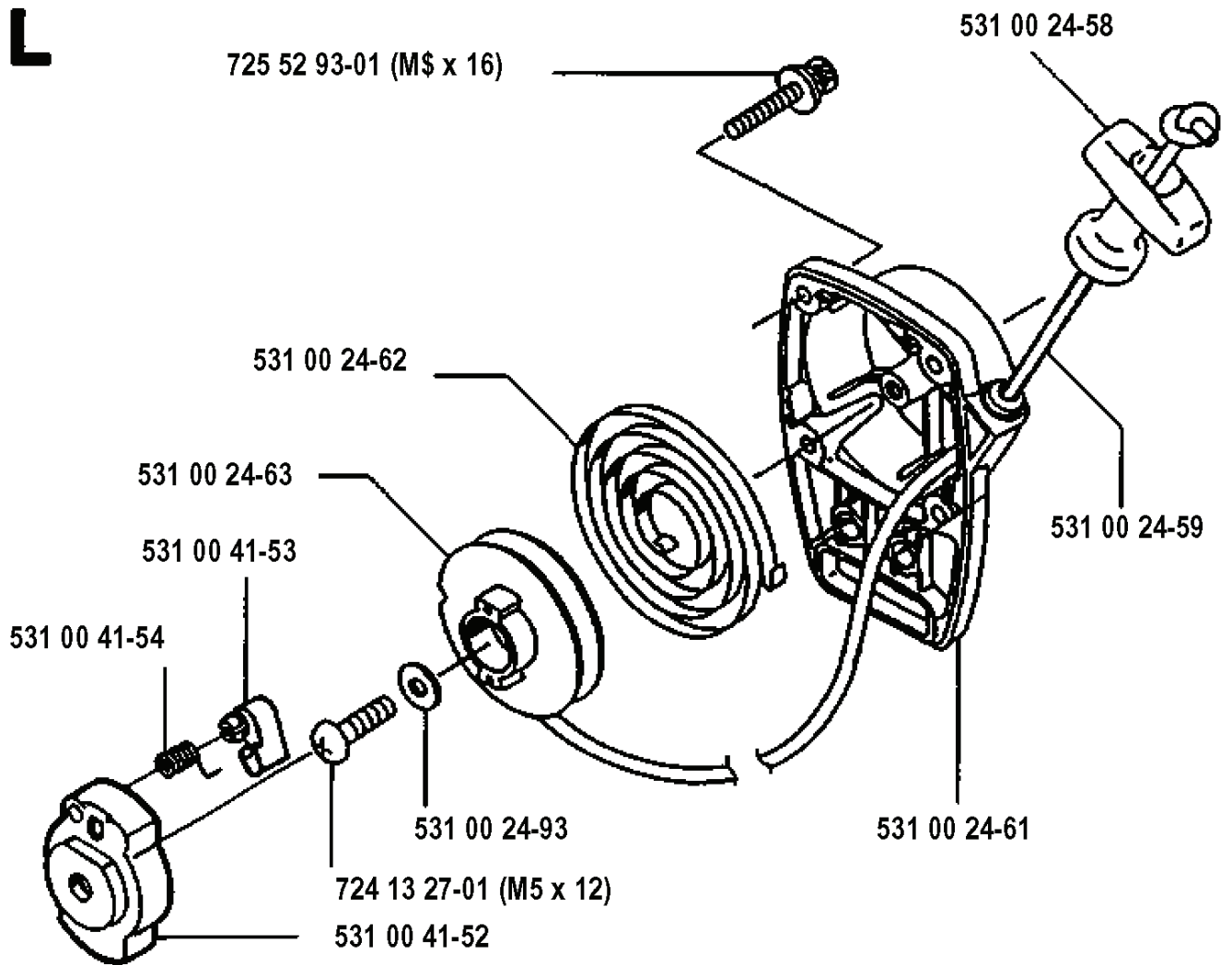


**B**



REF.	PART NO.	DESCRIPTION	REMARK	QTY.	KIT
531 00 40-01	531004001	TUBE	US.CAN	1	
531 00 40-02	531004002	GASKET	US. CAN	1	
531 00 40-03	531004003	SPARK ARRESTOR	US. CAN	1	
725 53 33-01	725533301	SCREW IHSCM	M5 X 25	1	
531 00 24-18	531002418	SPACER		1	
725 53 29-01	725532901	SCREW IHSCM	M5 X 16	1	
531 00 23-58	531002358	GASKET	132	1	
531 00 23-57	531002357	GASKET	125	1	
531 00 24-99	531002499	MUFFLER	132 US. CAN	1	
531 00 24-98	531002498	MUFFLER	125 US. CAN	1	
531 00 23-55	531002355	MUFFLER	132	1	
531 00 23-54	531002354	MUFFLER	125	1	
531 00 23-60	531002360	MUFFLER	132	1	
531 00 23-59	531002359	MUFFLER	125	1	
531 00 23-56	531002356	PLATE		1	
531 00 24-97	531002497	COVER	132 US. CAN	1	
531 00 24-96	531002496	COVER	125 US. CAN	1	
725 53 31-01	725533101	SCREW IHSCM	M5 X 20	1	

L

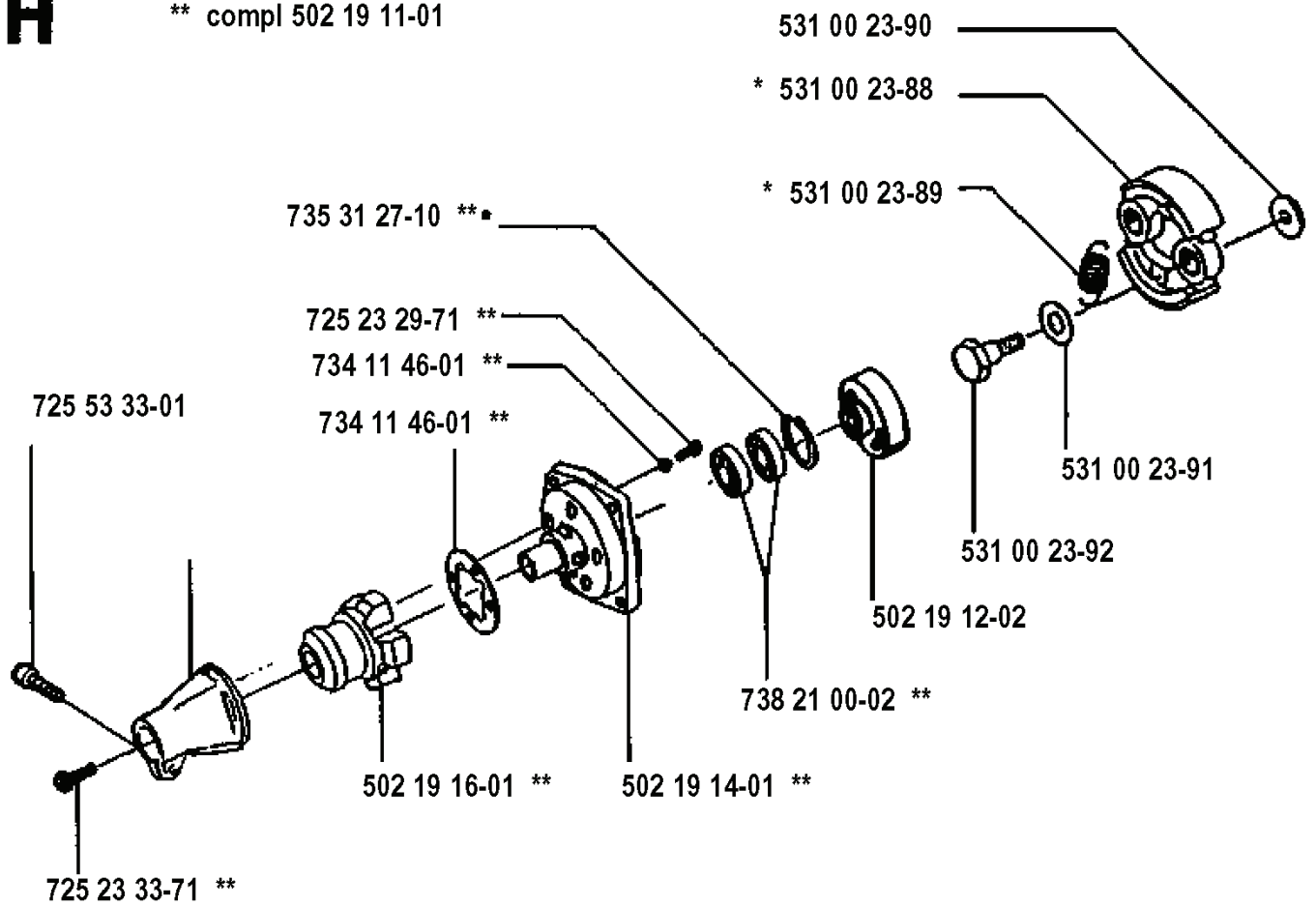


---

REF.	PART NO.	DESCRIPTION	REMARK	QTY.	KIT
725 52 93-01	725529301	SCREW IHSCM	M5 X 16	1	
531 00 24-62	531002462	SPRING		1	
531 00 24-63	531002463	STARTER PULLEY		1	
531 00 41-53	531004153	PAWL		1	
531 00 41-54	531004154	SPRING		1	
531 00 41-52	531004152	STARTER PULLEY		1	
724 13 27-01	724132701	SCREW CRPANM	M5 X 12	1	
531 00 24-93	531002493	WASHER		1	
531 00 24-61	531002461	STARTER HOUSING		1	
531 00 24-59	531002459	STARTER ROPE		1	
531 00 24-58	531002458	HANDLE		1	

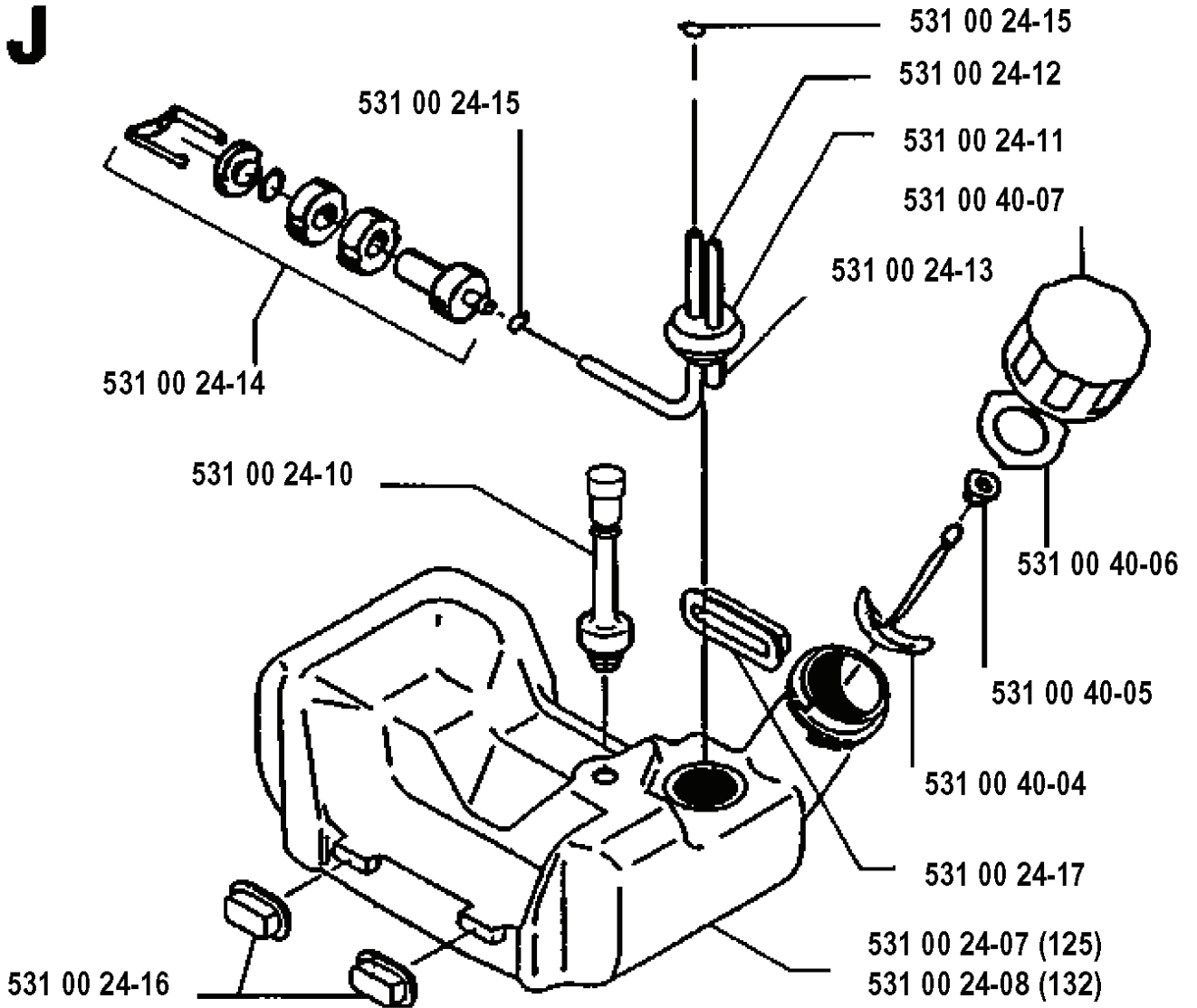
**H**

\* compl 531 00 23-87  
\*\* compl 502 19 11-01



REF.	PART NO.	DESCRIPTION	REMARK	QTY.	KIT
531 00 23-87	531002387	CLUTCH ASSY		1	
502 19 11-01	502191101	CLUTCH ASSY		1	
735 31 27-10	735312710	CIRCLIP		1	
725 23 29-71	725232971	SCREW EHHM		1	
734 11 46-01	734114601	WASHER		1	
725 53 33-01	725533301	SCREW IHSCM		1	
725 23 33-71	725233371	SCREW EHHM		1	
502 19 16-01	502191601	ANTIVIBRATION ELEMENT		1	
502 19 14-01	502191401	BEARING HOLDER		1	
738 21 00-02	738210002	BALL BEARING		1	
502 19 12-02	502191202	CLUTCH DRUM		1	
531 00 23-92	531002392	SCREW		1	
531 00 23-91	531002391	WASHER		1	
531 00 23-89	531002389	SPRING		1	
531 00 23-88	531002388	CLUTCH		1	
531 00 23-90	531002390	WASHER		1	

**J**



REF.	PART NO.	DESCRIPTION	REMARK	QTY.	KIT
531 00 24-15	531002415	CLIP		1	
531 00 24-14	531002414	FILTER		1	
531 00 24-10	531002410	VALVE		1	
531 00 24-16	531002416	SLEEVE		1	
531 00 24-08	531002408	TANK	132	1	
531 00 24-07	531002407	TANK	125	1	
531 00 24-17	531002417	PAD		1	
531 00 40-04	531004004	HOLDER		1	
531 00 40-05	531004005	BRACKET		1	
531 00 40-06	531004006	GASKET		1	
531 00 24-13	531002413	PIPE		1	
531 00 40-07	531004007	TANK CAP		1	
531 00 24-11	531002411	SLEEVE		1	
531 00 24-12	531002412	HOSE		1	