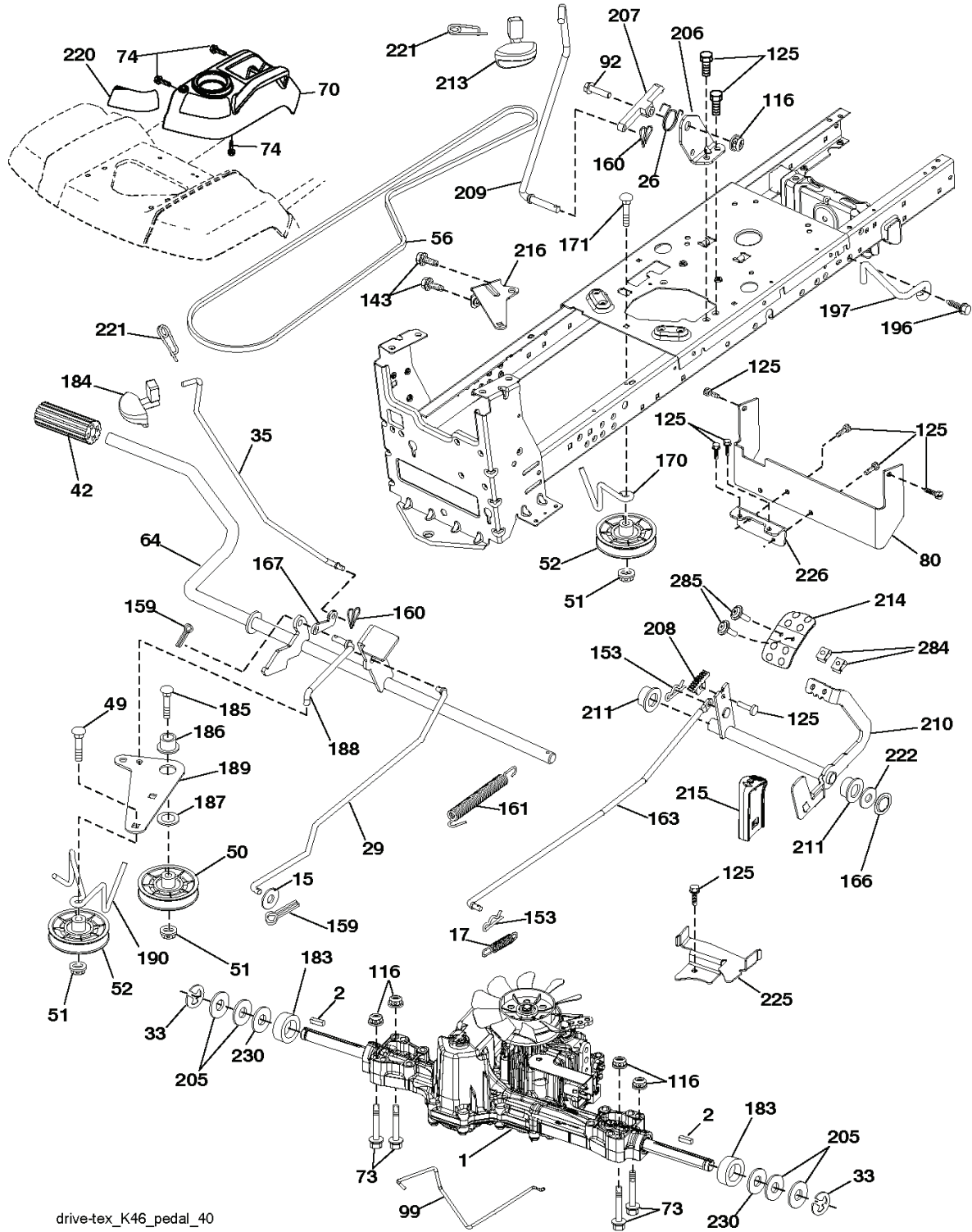


2146 XLS, 96043007900, 2008-12

SPARE PARTS LIST

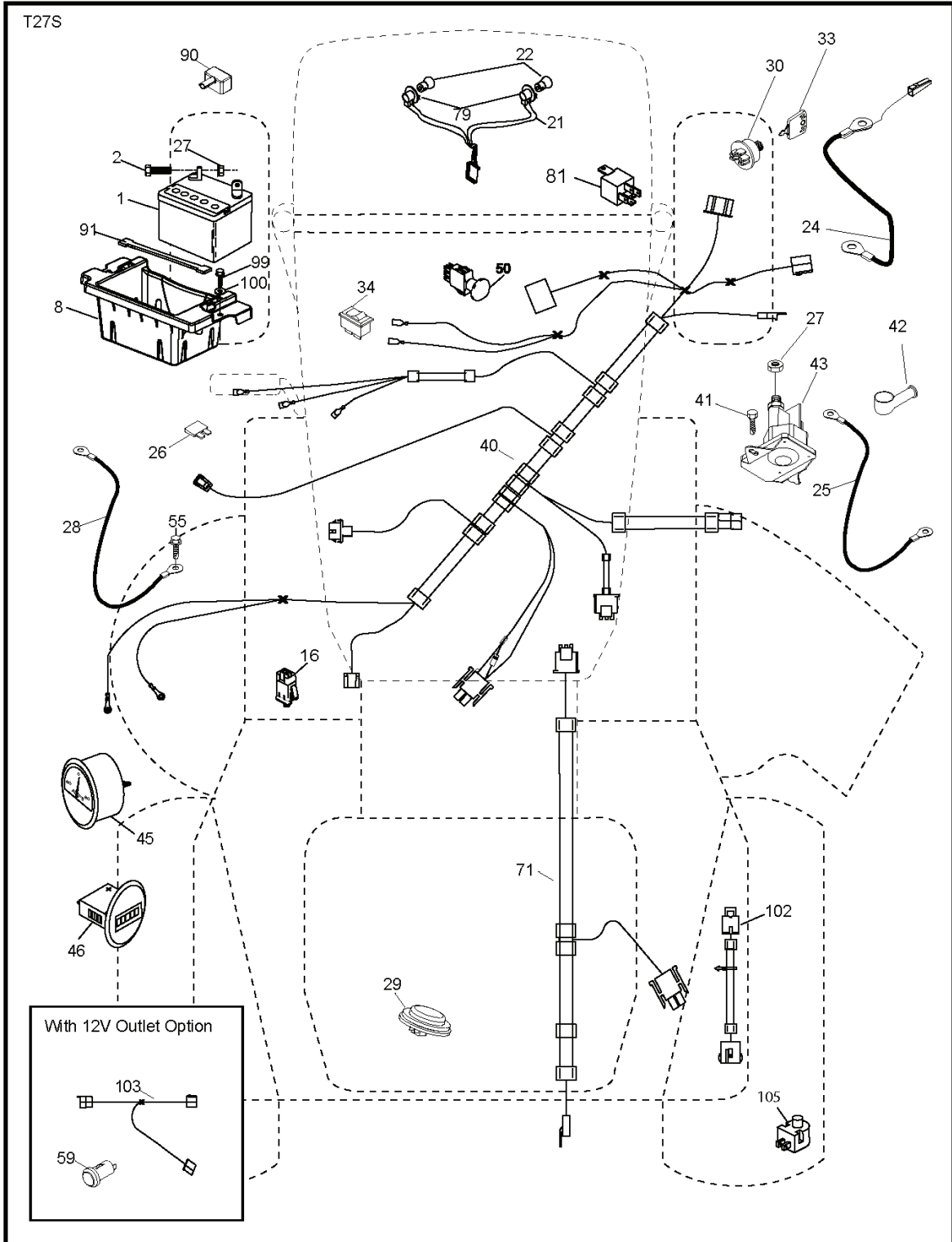
TRACTOR - - MODEL NUMBER 2146XLS (96043007900), PRODUCT NO. 960 43 00-79 DRIVE



drive-tex_K46_pedal_40

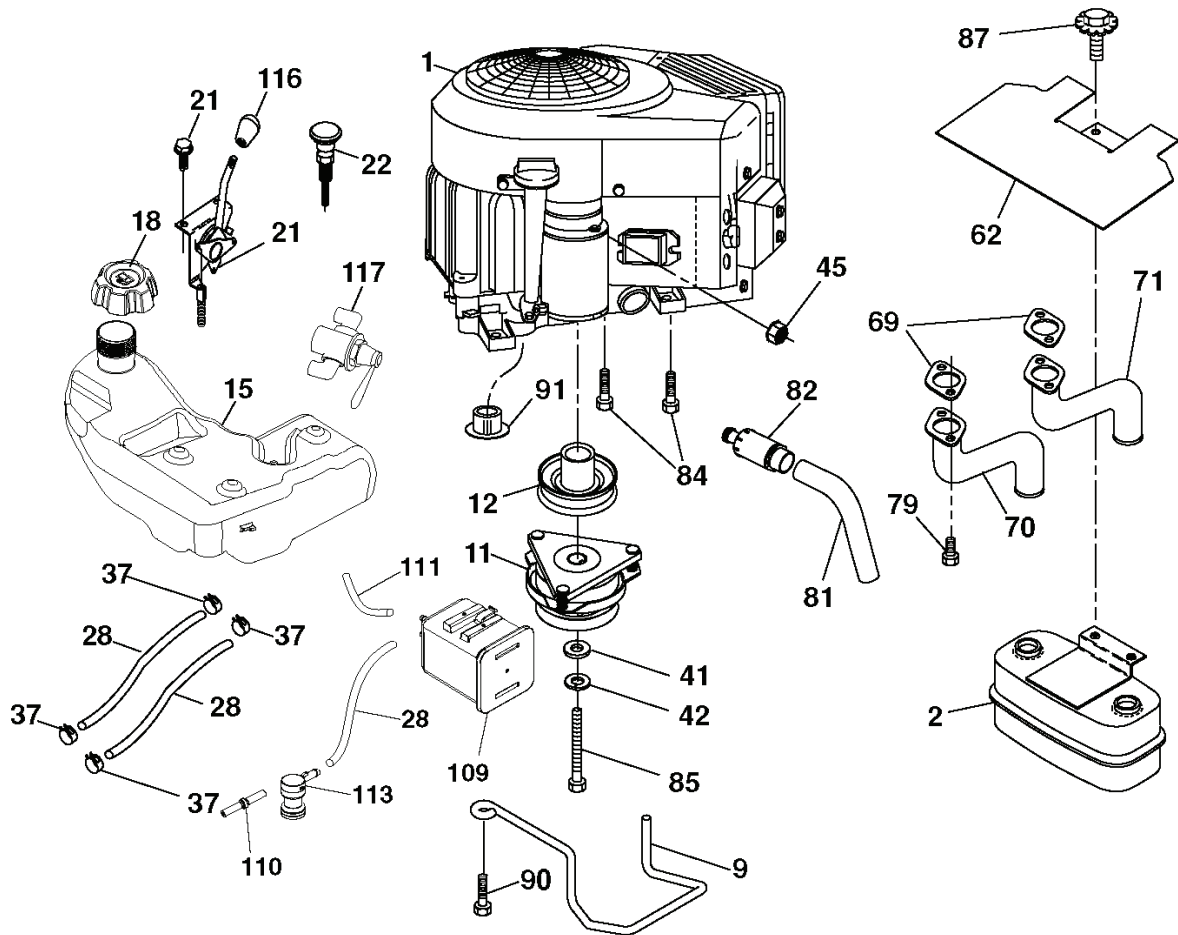
REF.	PART NO.	DESCRIPTION	REMARK	QTY.	KIT
1	532426121	TRANSAXLE(K46CR)ETC.		1	
2	532123583	KEY		1	
15	819131316	WASHER		1	
17	532413678	SRPING.BRAKE.K46.GREEN*SUBS/2*		1	
26	532199679	SPRING		1	
29	532403806	ROD		1	
33	812000001	RETAINER RING		1	
35	532199591	ROD		1	
42	532124872	PEDAL RUBBER		1	
49	872110614	BOLT		1	
50	532194327	PULLEY		1	
51	873900600	NUT		1	
52	532194326	PULLEY		1	
56	532130969	BELT		1	
64	532197865	SHAFT		1	
70	532400530	PANEL		1	
73	874490544	SCREW		1	
74	532142432	SCREW		1	
80	532412170	STRAP TORQUE.ASM.K46/18*TEX		1	
92	874760520	BOLT		1	
99	532415742	ROD		1	
116	873900500	NUT		1	
125	817000512	SCREW		1	
143	817490508	SCREW		1	
153	532124788	RETAINER RING		1	
159	876020412	SPLIT PIN		1	
160	532169484	PIN		1	
161	532105709	SPRING		1	
163	532401034	ROD		1	
166	532197290	NUT		1	
167	532405257	LATCH		1	
170	532194322	KEEPER		1	
171	872110616	BOLT		1	
183	532137057	SPACER		1	
184	532403118	CONTROL		1	
185	872110622	BOLT		1	
186	532194321	SPACER		1	
187	819133210	WASHER		1	
188	532194323	LINK		1	
189	532194317	PLATE		1	
190	532194318	BELT GUIDE		1	
196	817000616	SCREW		1	
197	532195804	BRACKET		1	
205	532121748	WASHER		1	
206	532197867	BRACKET		1	
207	532197868	LATCH		1	
208	532197869	SUPPORT		1	
209	532199592	ROD		1	
210	532197860	ARM		1	
211	532120183	BEARING		1	
213	532403119	CONTROL		1	
214	532416863	PEDAL.FORWARD.HUSQVARNA.DEALER		1	
215	532401723	PEDAL		1	
216	532196131	BRACKET		1	
220	532198908	LENS		1	
221	532403187	SPRING		1	
222	879212010	WASHER		1	
225	532403319	BELT GUIDE		1	
226	532401564	BRACKET		1	
230	532188967	WASHER		1	
284	532417693	NUT		1	
285	532417765	SCREW.PHD.1/4-20.BOX DRVE		1	

**TRACTOR - - MODEL NUMBER 2146XLS (96043007900), PRODUCT NO. 960 43 00-79
ELECTRICAL**



REF.	PART NO.	DESCRIPTION	REMARK	QTY.	KIT
1	532163465	BATTERY		1	
2	874760412	BOLT		1	
8	532414125	TRAY ASM BATTERY FRT TEX CARB		1	
16	532176138	MICRO SWITCH		1	
21	532183759	HARNESS		1	
22	532004152	BULB		1	
24	532400253	CABLE		1	
25	532412895	CABLE.STARTER.6G.BL/RE*SUBS/2*		1	
26	532175158	FUSE		1	
27	873510400	NUT		1	
28	532145491	CABLE		1	
29	532401545	SWITCH		1	
30	532193350	IGNITION MODULE		1	
33	532411935	KEY		1	
34	532110712	SWITCH		1	
40	532425675	HARNESS		1	
41	817720408	SCREW		1	
42	532131563	COVER		1	
43	532192507	SOLENOID		1	
45	532425270	GAUGE		1	
46	532425271	GAUGE		1	
50	532174651	SWITCH		1	
55	817060512	SCREW		1	
59	532400303	OUTLET-12 VOLT		1	
71	532194276	CABLE ASSY		1	
79	532175242	HOLDER		1	
81	532409615	HARNESS		1	
90	532400724	COVER		1	
91	532190270	STRAP BATTERY MOUNT FRO		1	
99	817670412	SCREW		1	
100	819091416	WASHER		1	
102	532404454	CABLE		1	
103	532421747	HARNESS		1	
105	532407568	SWITCH		1	

TRACTOR - - MODEL NUMBER 2146XLS (96043007900), PRODUCT NO. 960 43 00-79
ENGINE



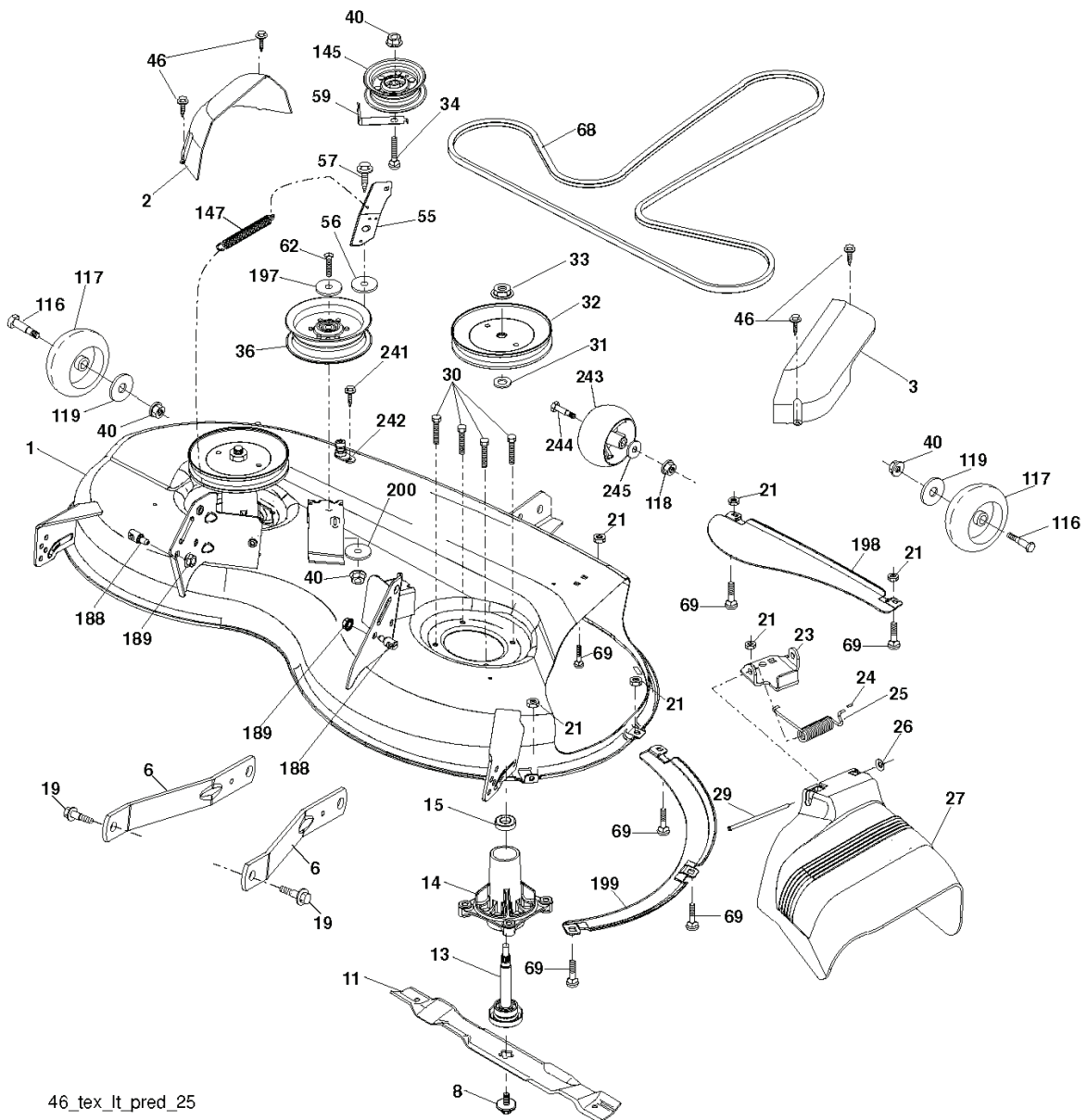
29

SPARK ARRESTER KIT

engine-tex_bs-2cyl_28

REF.	PART NO.	DESCRIPTION	REMARK	QTY.	KIT
1				1	
2	532149723	MUFFLER		1	
9	532194320	BELT GUIDE		1	
11	532400008	CLUTCH		1	
12	532405097	PULLEY		1	
15	532422948	FUEL TANK		1	
18	532420635	CAP		1	
20	532424341	CONTROL THROTTLE		1	
21	532416358	SCREW		1	
22	532191596	COMMA*RPLPAR 532187767428		1	
28	532401135	LINE.FUEL.64"REAR.EMIS		1	
29	532137180	SPARK ARRESTER KIT		1	
37	532123487	HOSE CLAMP		1	
41	532126197	WASHER		1	
42	810040700	WASHER		1	
45	873510400	NUT		1	
62	532146629	HEAT SHIELD		1	
69	532192442	GASKET.MUFFLER.#806237		1	
70	532191548	EXHAUST TUBE LH		1	
71	532191549	EXHAUST TUBE RH		1	
79	532192443	SCREW		1	
81	532148456	TUBE		1	
82	532181654	PLUG		1	
84	817060620	SCREW		1	
85	532173937	BOLT		1	
87	537171877	BOLT		1	
90	817000616	SCREW		1	
91	532187495	BUSHING		1	
109	532414114	FILTER		1	
110	532414118	VALVE ASSY		1	
111	532414119	PURGE LINE CARB		1	
113	532414127	VALVE		1	
116	532424659	KNOB SOFT TOUCH		1	
117	532420828	VALVE FUEL RESERVE		1	

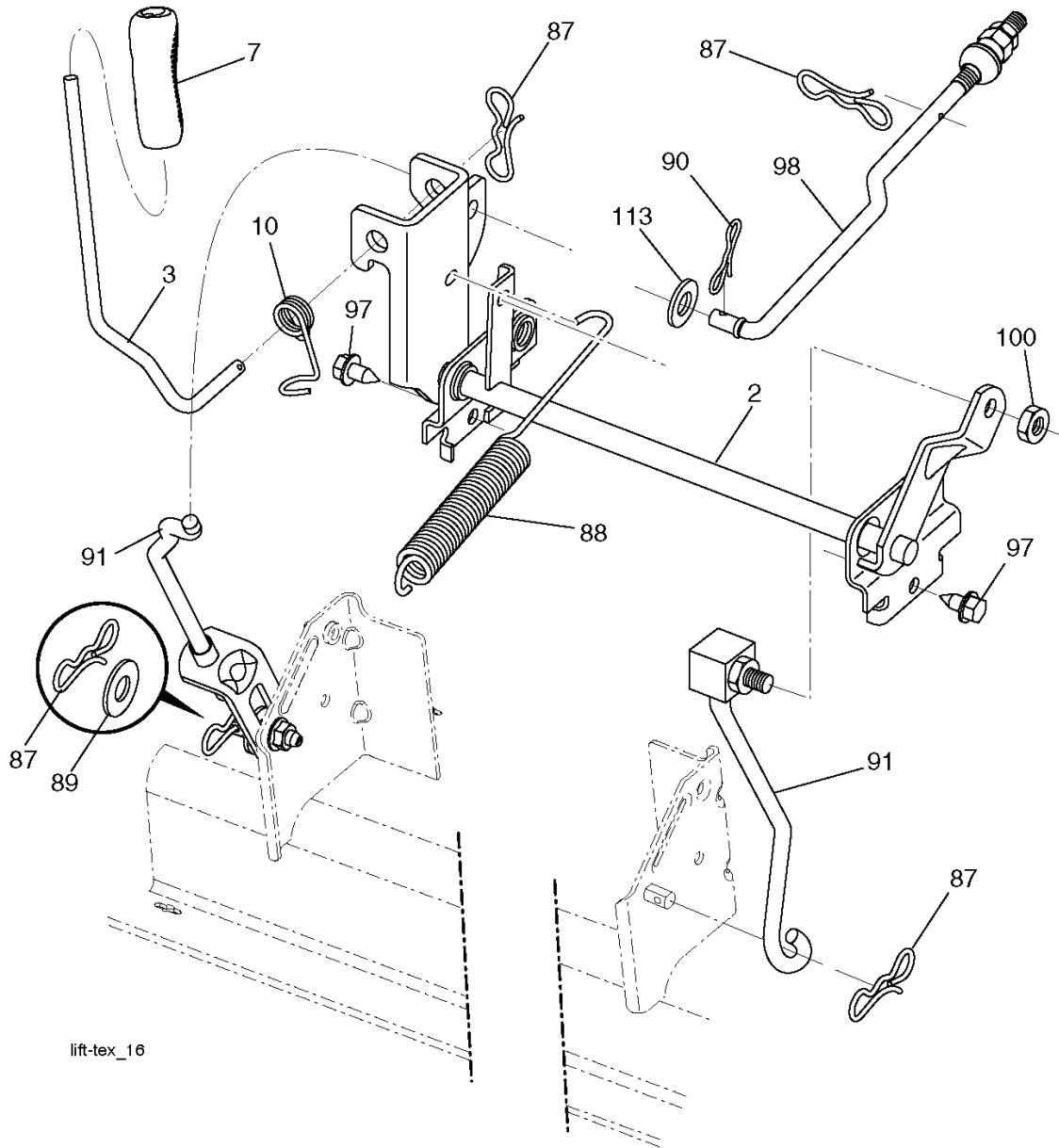
**TRACTOR - - MODEL NUMBER 2146XLS (96043007900), PRODUCT NO. 960 43 00-79
MOWER DECK**



46_tex_lt_pred_25

REF.	PART NO.	DESCRIPTION	REMARK	QTY.	KIT
1	532421649	DECK HOUSING		1	
2	532405507	COVER		1	
3	532405506	COVER		1	
6	532195186	ARM		1	
8	532193003	SCREW		1	
11	532405380	RIDE ON BLADE		1	
13	532192872	SHAFT ASSY		1	
14	532187281	BEARING HOUSING		1	
15	532110485	BEARING		1	
19	532196539	BOLT		1	
21	873680500	NUT		1	
23	532192557	HINGE		1	
24	532105304	HUB CAP		1	
25	532197026	TORSION SPRING		1	
26	532110452	NUT		1	
27	532405357	DEFLECTOR		1	
29	532131491	SHAFT		1	
30	532173984	SCREW		1	
31	532187690	WASHER		1	
32	532197473	PULLEY		1	
33	532400234	NUT		1	
34	872110612	BOLT		1	
36	532197379	PULLEY		1	
40	873900600	NUT		1	
46	532137729	SCREW		1	
55	532197249	ARM		1	
56	532199092	SPACER		1	
57	817000616	SCREW		1	
59	532141043	GUARD		1	
62	874520636	BOLT		1	
68	532405143	BELT		1	
69	872140505	BOLT		1	
116	532193406	BOLT		1	
117	532174873	WHEEL		1	
118	873930600	NUT		1	
119	819132012	WASHER		1	
145	532193197	PULLEY		1	
147	532197251	SPRING		1	
188	532195161	STUD		1	
189	873900500	NUT		1	
197	819131312	WASHER		1	
198	532403149	PLATE		1	
199	532403150	PLATE		1	
200	532413524	WASHER		1	
241	532152927	SCREW		1	
242	532415598	HOSE COUPLING		1	
243	532188606	WHEEL		1	
244	532124842	BOLT		1	
245	819121414	WASHER		1	
--	532416405	COUPLING		1	
--	532192870	SPINDLE	"Mandrel Assembly (Includes housing, shaft assembly, and bearing only - pulley/nut/washer and blade bolt/washers not included)"	1	
--	532418226	DECK.SVC.46"HPE.5GW.WP422.TX		1	

**TRACTOR - - MODEL NUMBER 2146XLS (96043007900), PRODUCT NO. 960 43 00-79
MOWER LIFT**



lift-tex_16

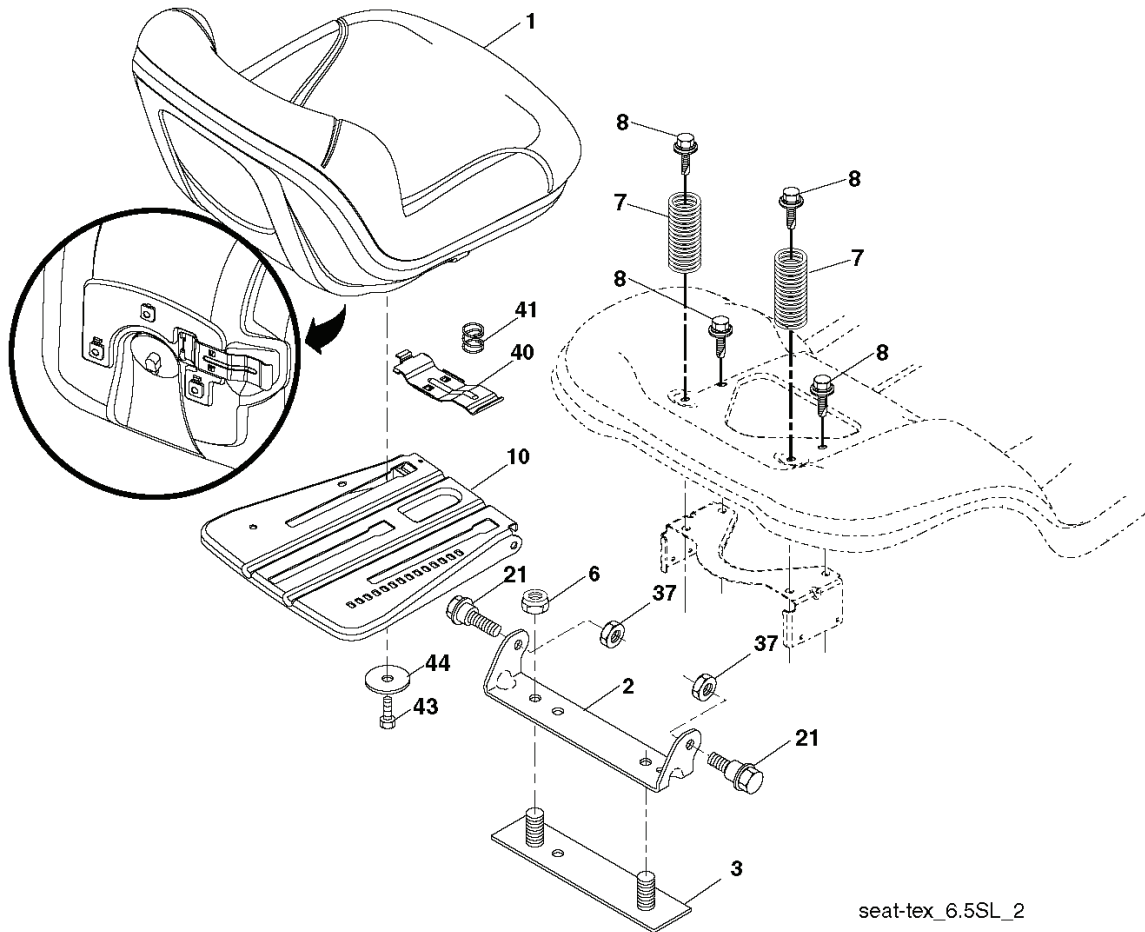
KEY NO.	PART NO.	DESCRIPTION
2	532 19 52-23	Shaft Asm., Lift
3	532 19 52-30	Lever Lift Handle
7	532 41 15-55	Grip, Lever
10	532 19 63-14	Spring Torsion
87	532 19 42-09	Pin Cotter 7/16 Bow Tie Lock
88	532 41 07-10	Spring Lift Assist
89	819 19 19-12	Washer Clear Zinc
90	532 19 42-08	Pin Cotter 5/16 Bow Tie Lock
91	532 19 51-81	Link Lift Susp Mower Rear

KEY NO.	PART NO.	DESCRIPTION
97	817 00 06-12	Screw 3/8-16 x 3/4
98	532 19 52-70	Link Asm. Susp. Front Mower
100	873 93 06-00	Nut Centerlock 3/8-16 unc
113	819 17 19-12	Washer 17/32 x1-3/16 x 12 Ga.

NOTE: All component dimensions given in U.S. inches
1 inch = 25.4 mm

REF.	PART NO.	DESCRIPTION	REMARK	QTY.	KIT
2	532195223	SHAFT		1	
3	532195230	LEVER		1	
7	532411555	GRIP		1	
10	532196314	SPRING		1	
87	532194209	SPRING		1	
88	532410710	SPRING		1	
89	819191912	WASHER		1	
90	532194208	PIN		1	
91	532195181	LINK		1	
97	817000612	SCREW		1	
98	532195270	LINK		1	
100	873930600	NUT		1	
113	819171912	WASHER		1	

**TRACTOR - - MODEL NUMBER 2146XLS (96043007900), PRODUCT NO. 960 43 00-79
SEAT ASSEMBLY**



seat-tex_6.5SL_2

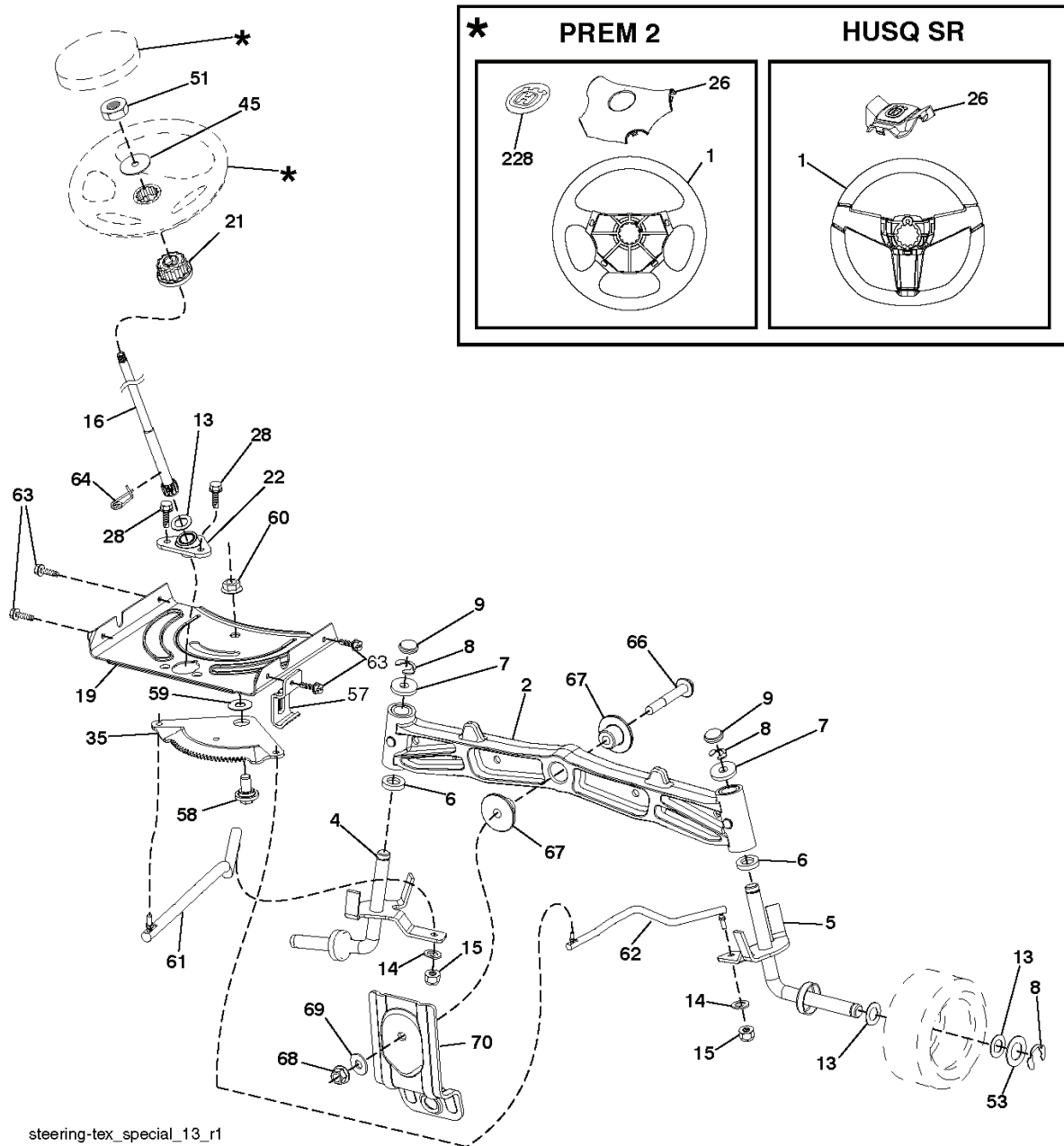
KEY NO.	PART NO.	DESCRIPTION
1	532 42 40-73	Seat
2	532 18 01-66	Bracket Pivot Fender
3	532 14 06-75	Strap, Asm Fender
6	873 80 06-00	Nut, Lock W/Ins. 3/8-16 unc
7	532 12 41-81	Spring, Seat Cprsn
8	532 17 18-77	Bolt 5/16-18 unc x 3/4 w/Sems
10	532 19 69-77	Pan, Seat
21	532 17 18-52	Bolt, Shoulder 5/16-18

KEY NO.	PART NO.	DESCRIPTION
37	873 80 05-00	Nut, Lock 5/16-18 unc
40	532 19 76-61	Handle Slide Seat
41	532 19 82-00	Spring Latch Seat
43	874 76 06-12	Bolt Fin Hex 3/8-16 unc x 3/4
44	819 13 38-12	Washer 13/32 x 2-3/8 x 12 Ga.

NOTE: All component dimensions given in U.S. inches
1 inch = 25.4 mm

REF.	PART NO.	DESCRIPTION	REMARK	QTY.	KIT
1	532424073	SEAT W/ARMREST		1	
2	532180166	BRACKET		1	
3	532140675	STRAP		1	
6	873800600	NUT		1	
7	532124181	SPRING		1	
8	532171877	BOLT		1	
10	532196977	PLATE		1	
21	532171852	BOLT		1	
37	873800500	LOCK NUT		1	
40	532197661	HANDLE		1	
41	532198200	SPRING		1	
43	874760612	BOLT		1	
44	819133812	WASHER		1	

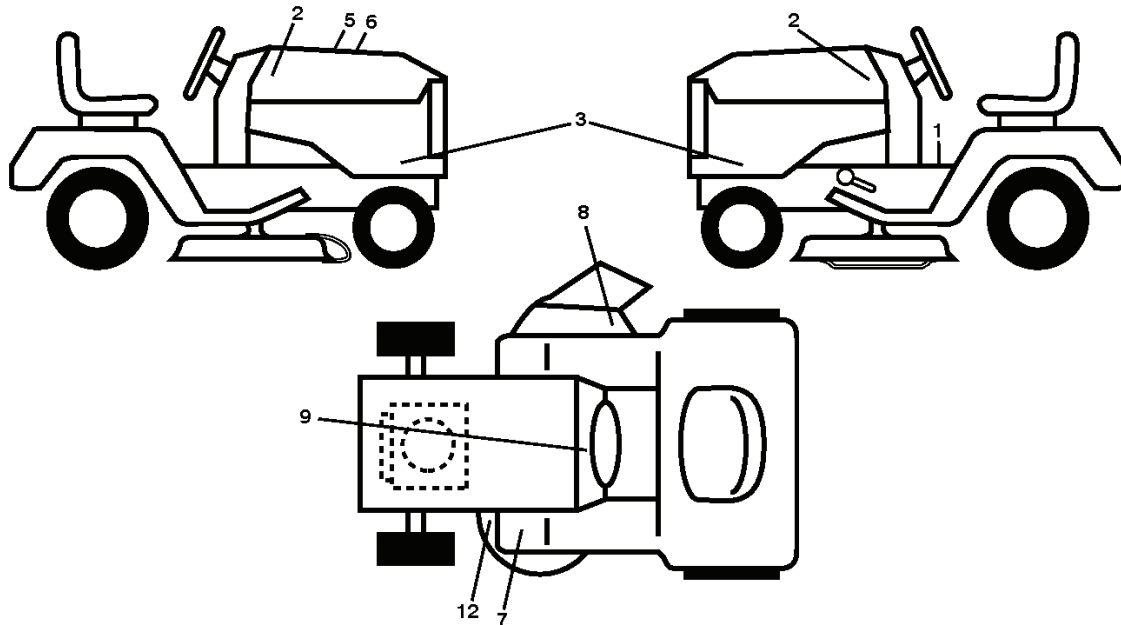
TRACTOR - - MODEL NUMBER 2146XLS (96043007900), PRODUCT NO. 960 43 00-79
STEERING ASSEMBLY



steering-tex_special_13_r1

REF.	PART NO.	DESCRIPTION	REMARK	QTY.	KIT
1	532416480	STEERING WHEEL		1	
2	532195968	SHAFT		1	
4	532403087	SPINDLE		1	
5	532403088	SPINDLE		1	
6	532124931	WASHER		1	
7	532121748	WASHER		1	
8	812000029	RETAINER RING		1	
9	532121232	HUB CAP		1	
13	532121749	WASHER		1	
14	810040600	WASHER		1	
15	873540600	NUT		1	
16	532408219	SHAFT		1	
19	532194729	PLATE		1	
21	532186737	ADAPTER		1	
22	532194845	BUSHING		1	
26	532415987	KNOB		1	
28	817000612	SCREW		1	
35	532194732	PLATE		1	
45	819183812	WASHER		1	
51	873940800	NUT		1	
53	532188967	WASHER		1	
57	532407565	*ALL TERRAIN REAR TIRE AND WHE		1	
58	532194747	BOLT		1	
59	532194748	WASHER		1	
60	873971000	NUT		1	
61	532194740	LINK		1	
62	532194741	LINK		1	
63	817000512	SCREW		1	
64	532199849	SPRING RETAINER		1	
66	871020748	BOLT		1	
67	532194737	BUSHING		1	
68	873900700	NUT		1	
69	532199162	WASHER		1	
70	532196197	BRACKET		1	
228	532404484	LABEL		1	

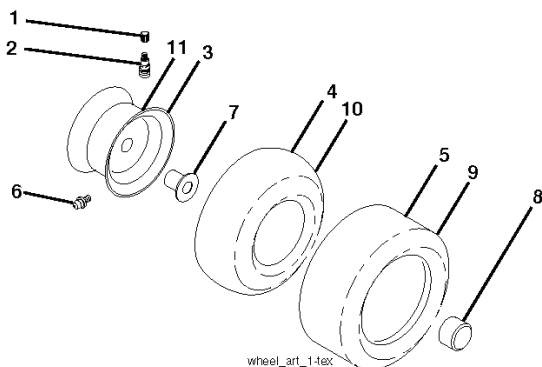
**TRACTOR - - MODEL NUMBER 2146XLS (96043007900), PRODUCT NO. 960 43 00-79
DECALS**



KEY NO.	PART NO.	DESCRIPTION
1	532 41 16-58	Decal, Operators
2	532 42 47-89	Decal, Emblem
3	532 42 56-46	Decal, Emblem Panel SD
5	532 42 38-29	Decal, Customer Respons.
6	532 42 55-46	Decal, Replacement
7	532 41 86-00	Decal, Pedal Husq. Crown
8	532 17 05-63	Decal Mower Warn Keep Handaway
9	532 14 50-05	Decal, Battery Dnqe/Poi

KEY NO.	PART NO.	DESCRIPTION
12	532 16 03-96	Decal, Mower V-Belt Schematic
--	532 41 82-77	Decal, Deck Air Induct
--	532 16 69-60	Decal, Bypass
--	532 42 41-02	Decal, Warning Spark Arrsor
--	532 40 17-71	Pad, Footrest, LH
--	532 40 37-73	Pad, Footrest, RH

WHEELS AND TIRES

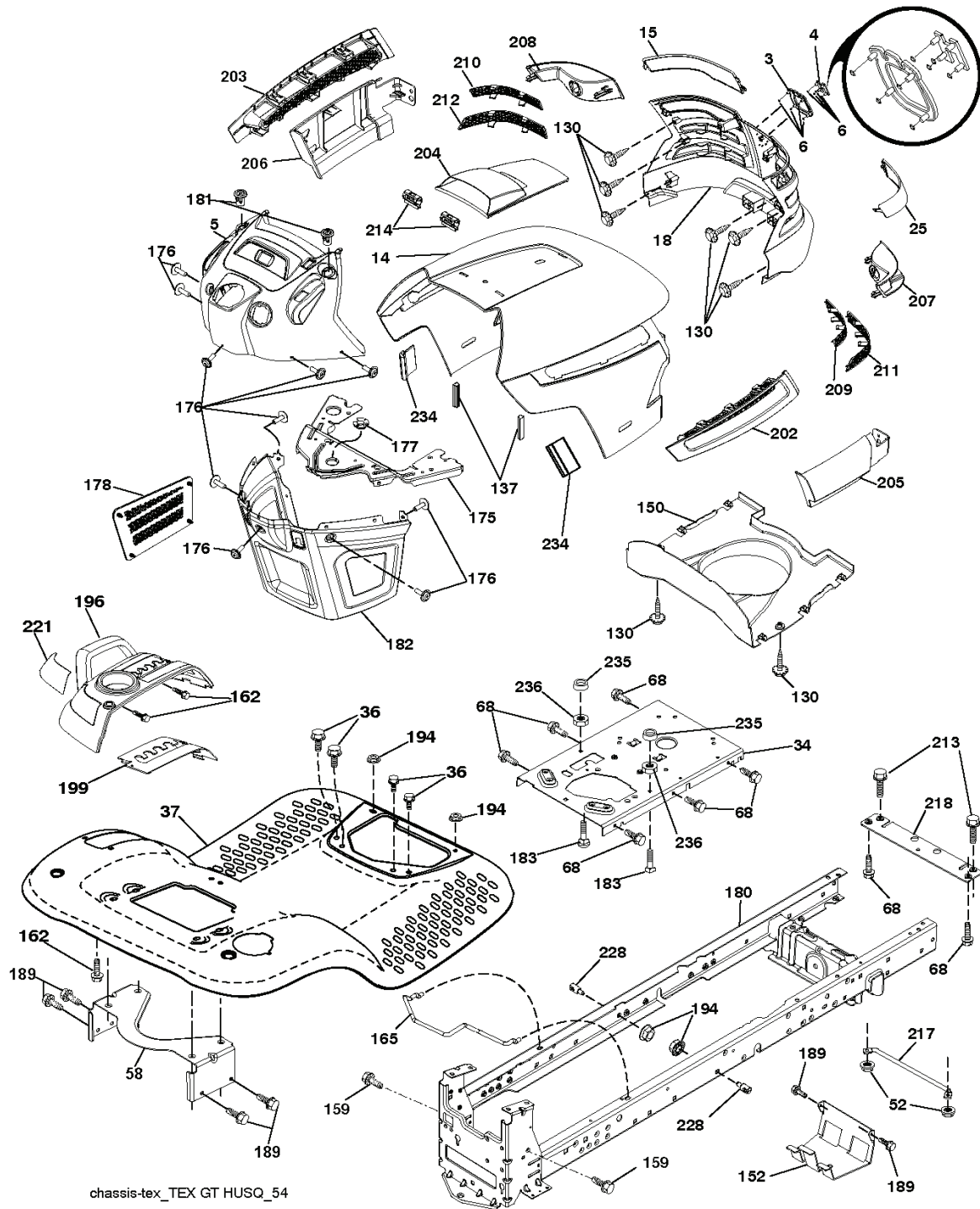


KEY NO.	PART NO.	DESCRIPTION
1	532 05 91-92	Cap Valve Tire
2	532 06 51-39	Stem Valve
3	532 13 83-36	Rim Front Service
4	532 05 99-04	Tube Front (Service Item Only)
5	532 17 04-55	Tire TM Front 15 x 6.00-6
6	532 12 49-57	Fitting Grease (Front Wheel Only)
7	532 12 49-59	Bearing Flange (Front Wheel Only)
8	532 17 50-39	Cap Axle Blk 1 50 x 1 00
9	532 17 04-56	Tire TM Rear 30 x 10.00-8
10	532 12 49-26	Tube Rear (Service Item Only)
11	532 13 83-37	Rim Asm 8" rear Service
--	532 14 43-34	Sealant, Tire (10 oz. Tube)

NOTE: All component dimensions given in U.S. inches
1 inch = 25.4 mm

REF.	PART NO.	DESCRIPTION	REMARK	QTY.	KIT
1	532411658	DECAL		1	
1	532059192	CAP VALVE		1	
2	532065139	NIPPLE		1	
2	532424789	DECAL		1	
3	532425646	DECAL		1	
3	532138336	RIM		1	
5	532423829	DECAL		1	
4	532059904	HOSE	(Service Item Only)	1	
6	532425546	DECAL		1	
5	532170455	TIRE		1	
7	532418600	DECAL		1	
6	532124957	FITTING	(Front Wheel Only)	1	
8	532170563	DECAL:"DANGER"		1	
7	532124959	BEARING	(Front Wheel Only)	1	
8	532175039	HUB CAP		1	
9	532145005	DECAL		1	
12	532160396	DECAL		1	
9	532170456	TIRE		1	
--	532418277	DECAL		1	
10	532124926	HOSE	(Service Item Only)	1	
11	532138337	RIM SPROCKET		1	
--	532166960	DECAL		1	
--	532144334	SEALING FOAM	(10 oz. Tube)	1	
--	532424102	DECAL		1	
--	532401771	FOOTREST		1	
--	532403773	FOOTREST		1	

TRACTOR - - MODEL NUMBER 2146XLS (96043007900), PRODUCT NO. 960 43 00-79
CHASSIS



chassis-tex_TEX GT HUSQ_54

REF.	PART NO.	DESCRIPTION	REMARK	QTY.	KIT
3	532408606	PLATE		1	
4	532405012	LOGOTYPE		1	
5	532408699	DASH		1	
6	532110452	NUT		1	
14	532411046	HOOD		1	
15	532198907	LENS		1	
18	532408607	FRONT COVER		1	
25	532198906	LENS		1	
34	532196125	PLATE		1	
36	817060512	SCREW		1	
37	532401825	FENDER		1	
52	873680500	NUT		1	
58	532412281	PLATE		1	
68	817490508	SCREW		1	
130	532416358	SCREW		1	
137	532407590	DAMPING PIECE		1	
150	532198512	BRACKET		1	
152	532199535	SHIELD		1	
159	817000612	SCREW		1	
162	532142432	SCREW		1	
165	532196826	BRACKET		1	
175	532196304	SUPPORT		1	
176	532400776	SCREW		1	
177	532195227	BUSHING		1	
178	532199782	NET		1	
180	532415064	FRAME		1	
181	532403025	BUSHING		1	
182	532406859	DASH		1	
183	874780520	BOLT		1	
189	817000512	SCREW		1	
194	873900500	NUT		1	
196	532417778	CONSOLE		1	
199	532198259	PLATE		1	
202	532403048	LIST		1	
203	532403076	LIST		1	
204	532416613	COVER		1	
205	532401709	LIST		1	
206	532401711	LIST		1	
207	532197198	LENS		1	
208	532197199	LENS		1	
209	532199130	INSERT		1	
210	532199131	INSERT		1	
211	532199132	INSERT		1	
212	532199133	INSERT		1	
213	874760512	BOLT		1	
214	532199145	CLIP		1	
217	532409167	ROD		1	
218	532196395	PLATE		1	
221	532198909	LENS		1	
228	532195161	STUD		1	
234	532404742	DAMPING PIECE		1	
235	532406129	SPACER		1	
236	873930500	NUT		1	