

225 H60, 20022200001-Current

SPARE PARTS LIST

F

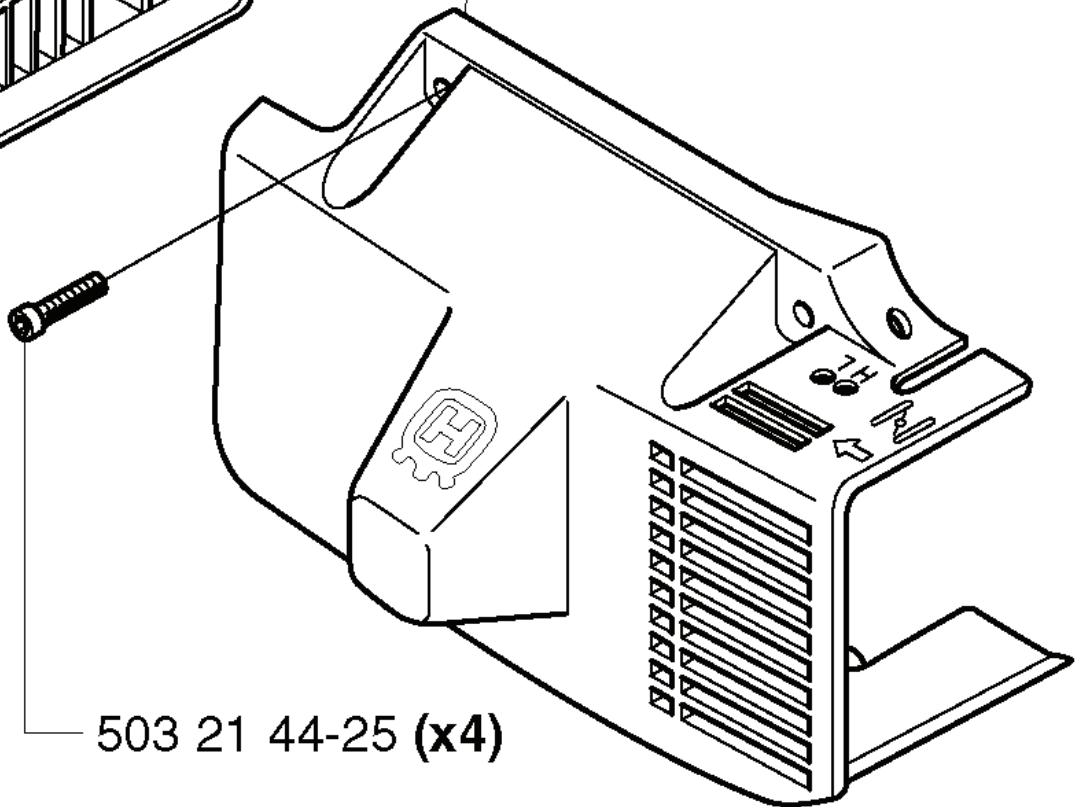
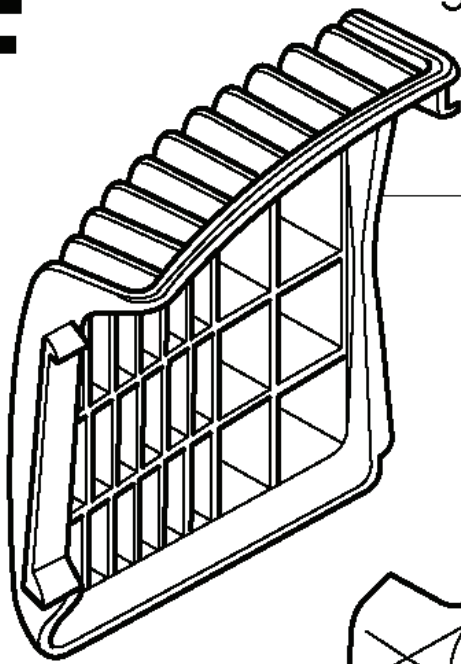
537 03 44-01



503 77 14-02

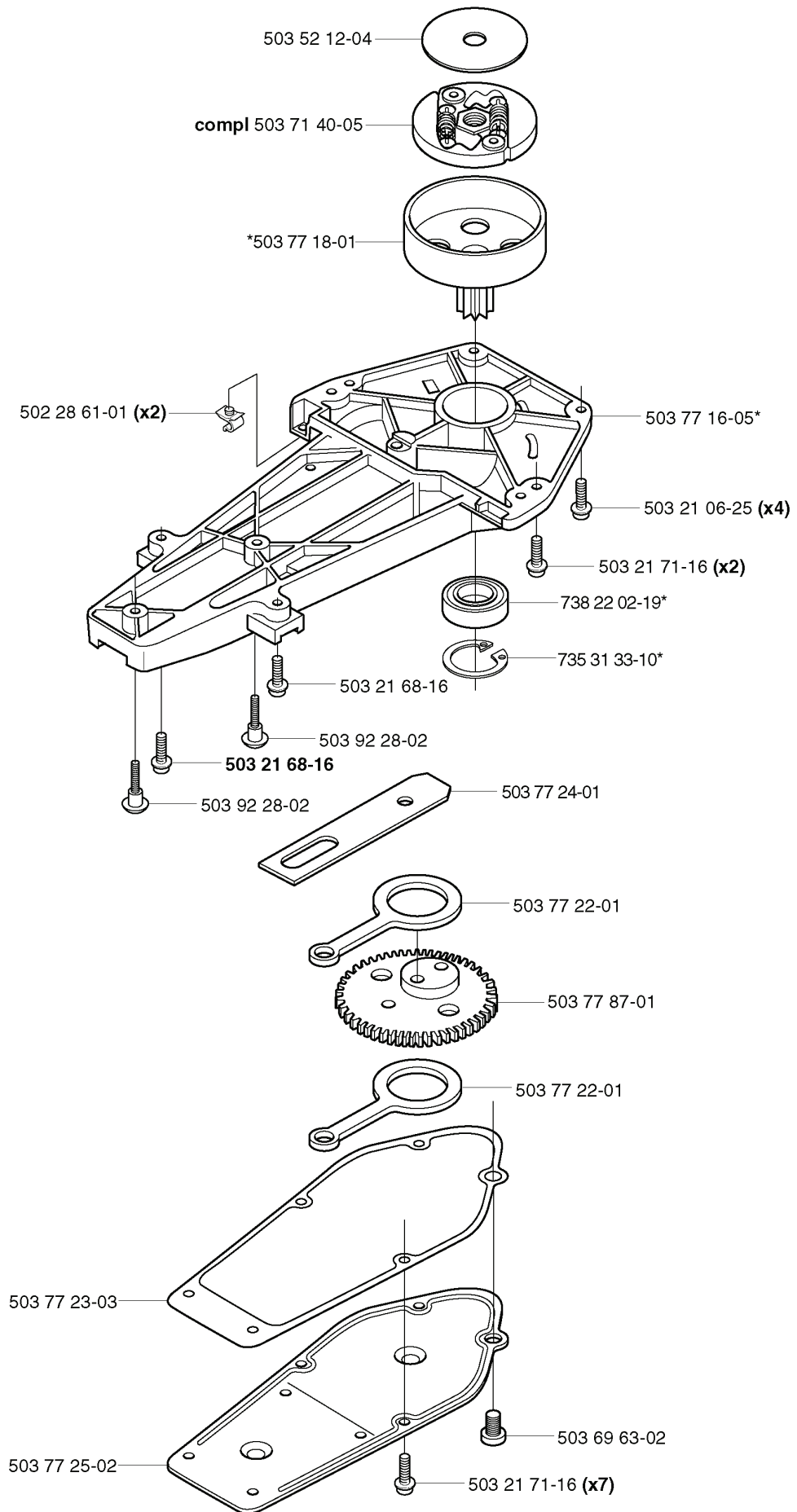
503 87 41-04

503 21 44-25 (x4)



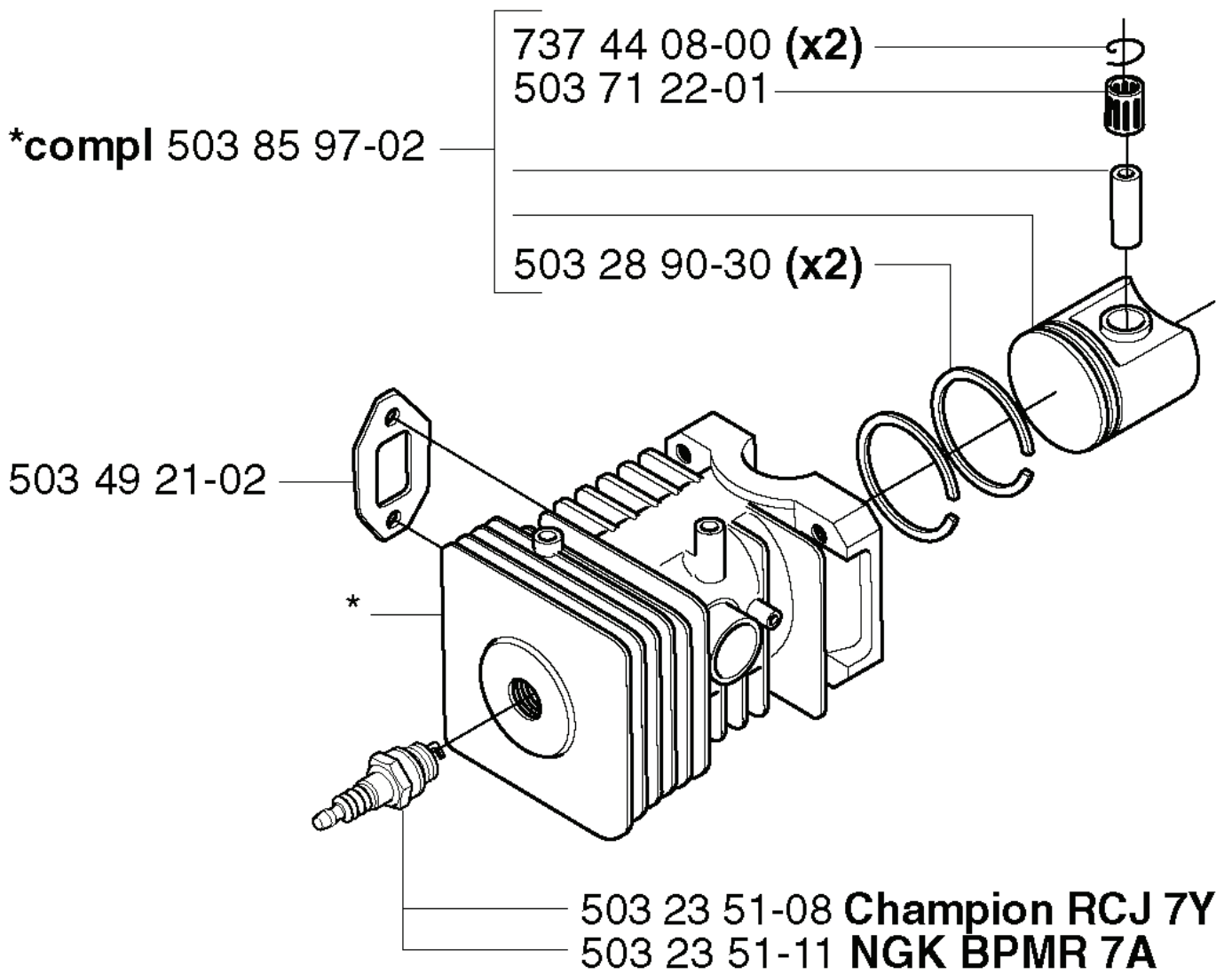
REF.	PART NO.	DESCRIPTION	REMARK	QTY.	KIT
503 21 44- 25	503214425	SCREW IHSCFTO		4	
503 87 41- 04	503874104	CYLINDER COVER		1	
503 77 14- 02	503771402	HEAT PROTECTOR		1	
537 03 44- 01	537034401	LABEL		1	

J *compl 503 77 16-06

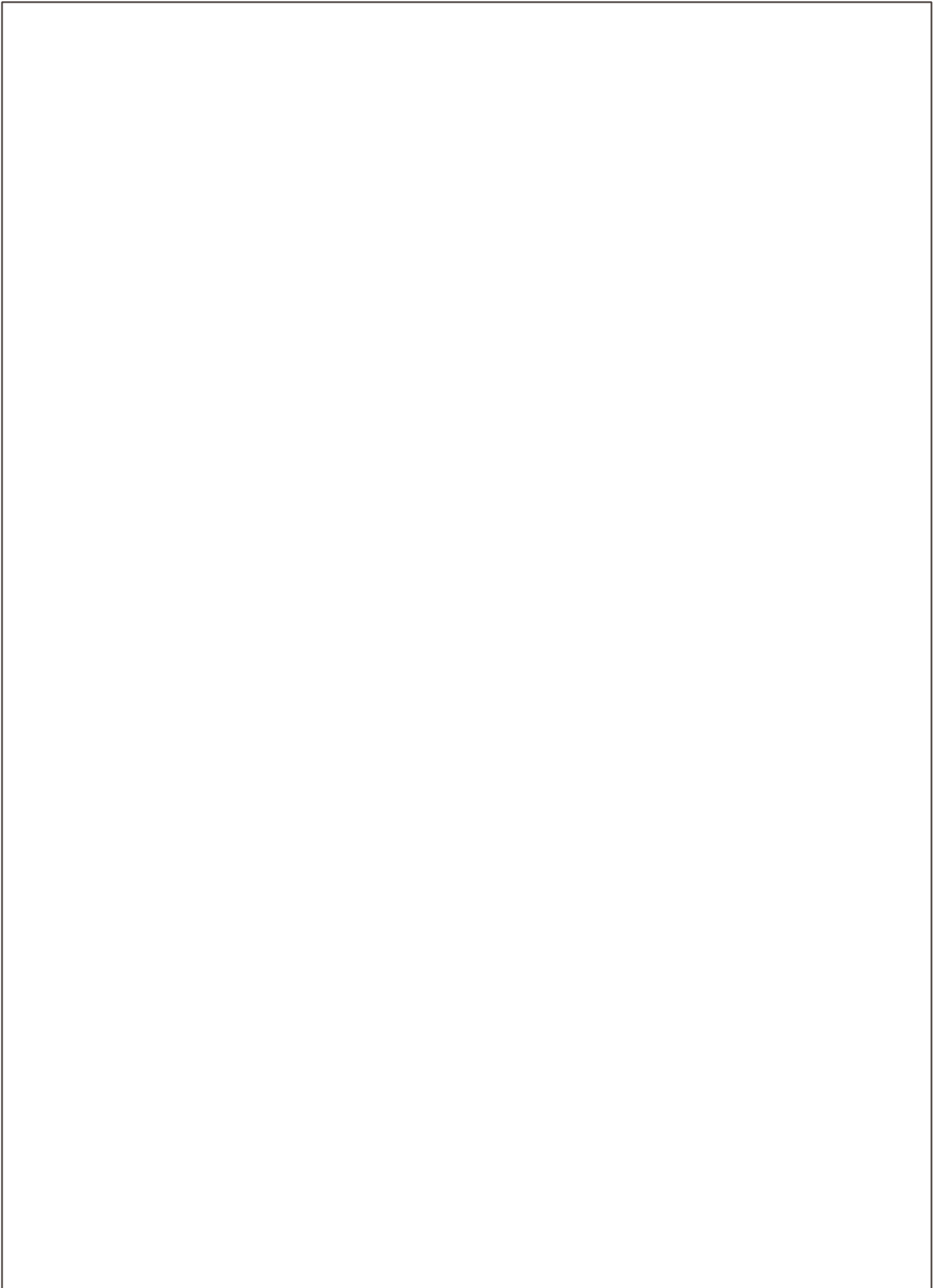


REF.	PART NO.	DESCRIPTION	REMARK	QTY.	KIT
503 77 16-06	503771606	GEAR HOUSING		1	
503 52 12-04	503521204	WASHER		1	
503 71 40-05	503714005	CLUTCH ASSY		1	
503 77 18-01	503771801	CLUTCH DRUM ASSY		1	
502 28 61-01	502286101	CLIP		2	
503 21 68-16	503216816	SCREW IHSC T		1	
503 92 28-02	503922802	SCREW		1	
503 77 23-03	503772303	GASKET		1	
503 77 25-02	503772502	HUB CAP		1	
503 69 63-02	503696302	PLUG		1	
503 77 87-01	503778701	ECCENTRIC		1	
503 77 22-01	503772201	CONNECTING ROD		1	
503 77 24-01	503772401	WEAR PROTECTION		1	
735 31 33-10	735313310	CIRCLIP		1	
738 22 02-19	738220219	BALL BEARING		1	
503 21 71-16	503217116	SCREW IHSC T		2	
503 21 06-25	503210625	SCREW IHSC FT		4	
503 77 16-05	503771605	GEAR HOUSING		1	

E ***compl 503 89 94-01**

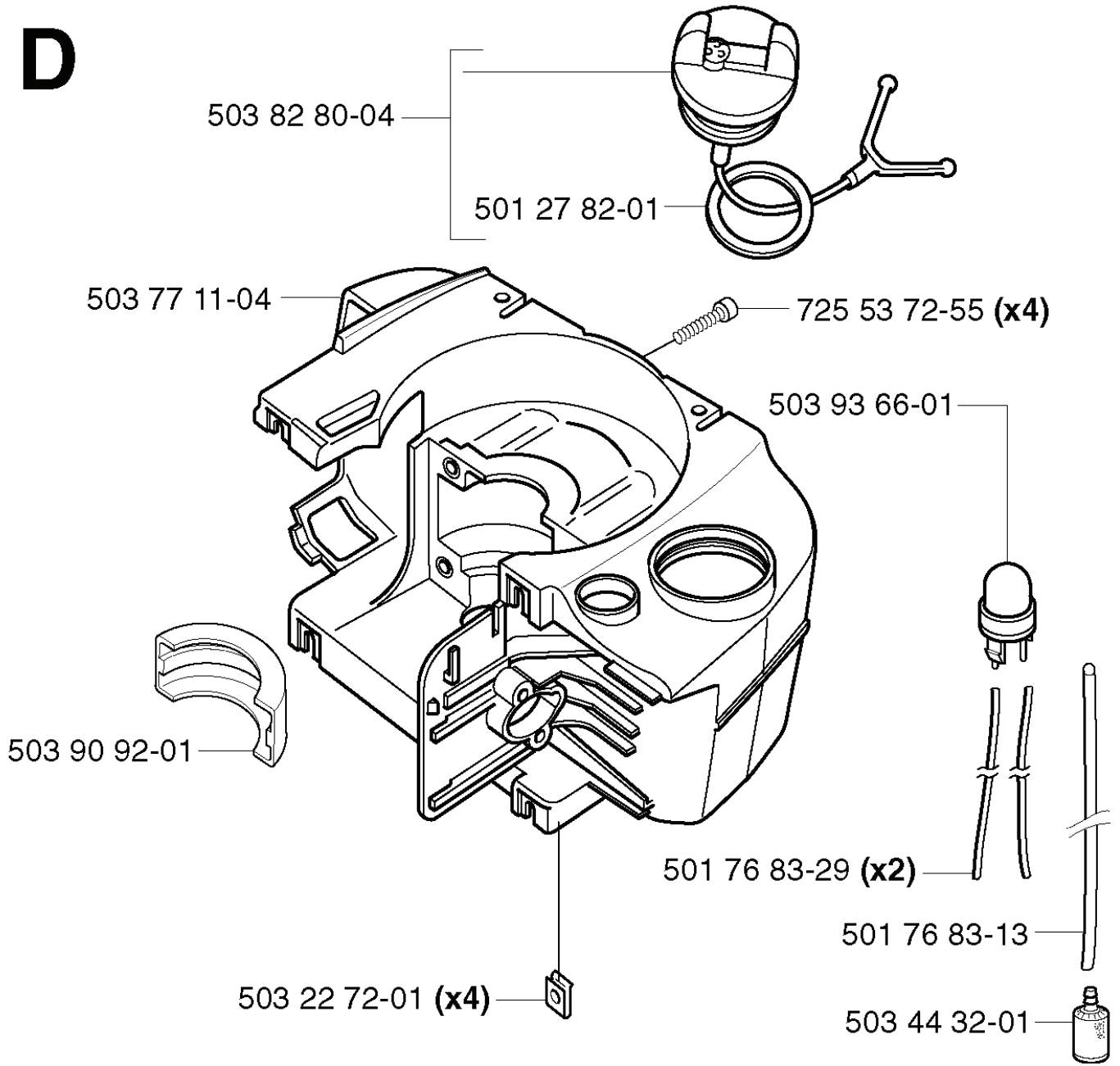


REF.	PART NO.	DESCRIPTION	REMARK	QTY.	KIT
503 89 94-01	503899401	CYLINDER ASSY		1	
503 85 97-02	503859702	PISTON ASSY		1	
503 49 21-02	503492102	GASKET		1	
503 23 51-08	503235108	SPARK PLUG	CHAMPION RCJ 7Y	1	
503 23 51-11	503235111	SPARK PLUG	NGK BPMR 7A	1	
503 28 90-30	503289030	PISTON RING		2	
503 71 22-01	503712201	BEARING		1	
737 44 08-00	737440800	CIRCLIP		2	

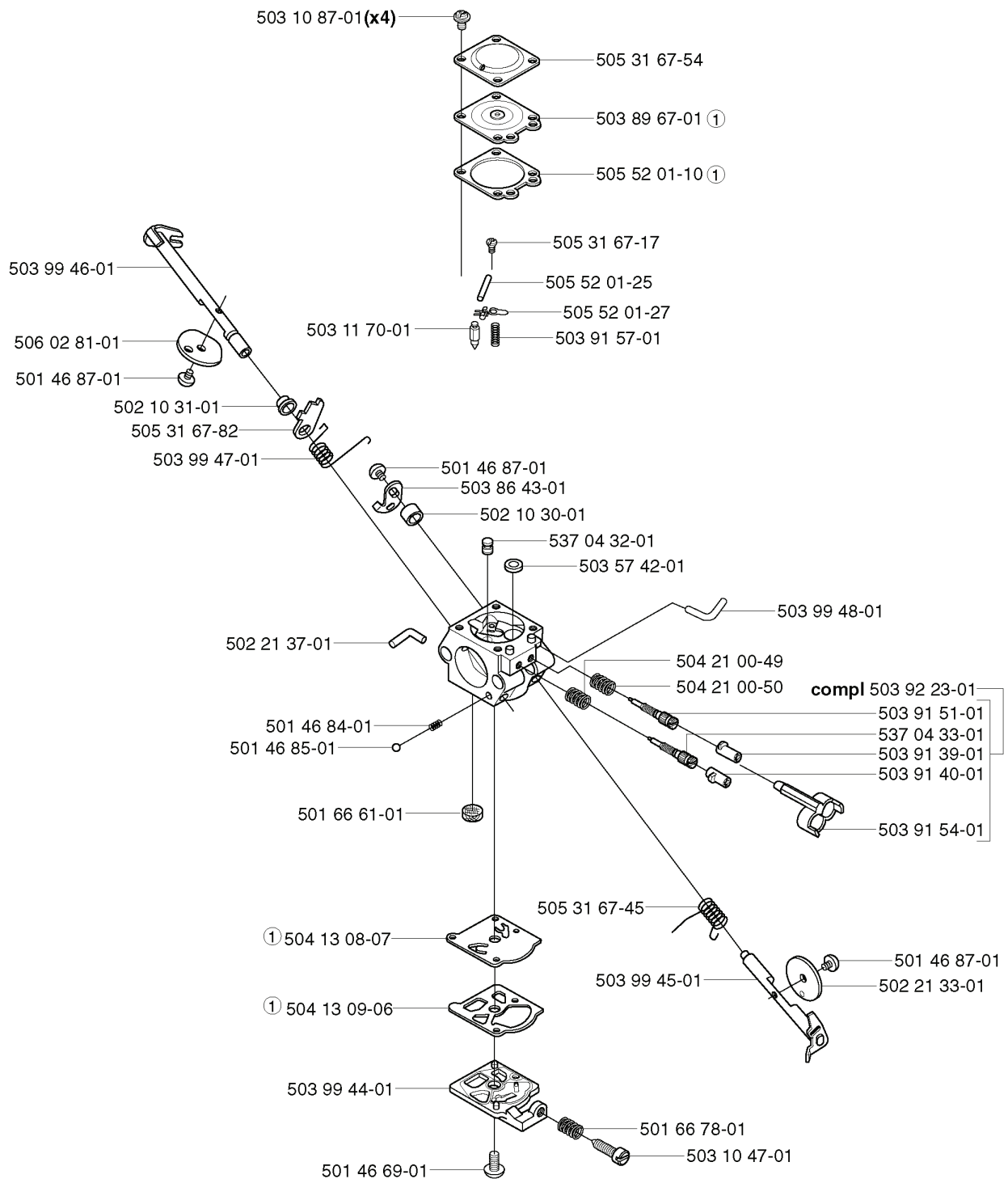


REF.	PART NO.	DESCRIPTION	REMARK	QTY.	KIT
503 71 82-01	503718201	SWITCH		1	
503 77 06-01	503770601	RECOIL SPRING		1	
503 77 05-01	503770501	LOCKING BUTTON		1	
734 11 25-41	734112541	WASHER		1	
503 21 29-06	503212906	SCREW CCRPANT		1	
503 79 15-01	503791501	LATCH		1	
503 77 07-01	503770701	ANTIVIBRATION ELEMENT		2	
503 77 10-03	503771003	FRONT HANDLE		1	
503 21 68-16	503216816	SCREW IHSCT		2	
503 98 76-02	503987602	WIRING ASSY		1	
503 77 09-01	503770901	SECURING PLATE		1	
503 77 04-03	503770403	SPRING RETAINER		1	
503 21 06-22	503210622	SCREW IHSCT		2	
740 44 16-00	740441600	O-RING		1	
503 77 08-01	503770801	ANTIVIBRATION ELEMENT		1	
503 21 27-13	503212713	SCREW CCRPANT		1	
503 21 07-16	503210716	SCREW IHSCT		3	
503 77 02-03	503770203	HANDLE HALF		1	
503 77 03-03	503770303	HANDLE HALF		1	
506 01 44-04	506014404	THROTTLE TRIGGER		1	
506 01 45-06	506014506	THROTTLE LOCKOUT		1	

D



REF.	PART NO.	DESCRIPTION	REMARK	QTY.	KIT
503 82 80-04	503828004	TANK CAP ASSY		1	
503 77 11-04	503771104	CRANKCASE		1	
503 90 92-01	503909201	INSERT		1	
503 22 72-01	503227201	SPEED NUT		4	
503 44 32-01	503443201	FUEL FILTER		1	
501 76 83-13	501768313	FUEL HOSE		1	
501 76 83-29	501768329	FUEL HOSE		2	
503 93 66-01	503936601	PURGE		1	
725 53 72-55	725537255	SCREW IHSCM		4	
501 27 82-01	501278201	GASKET		1	

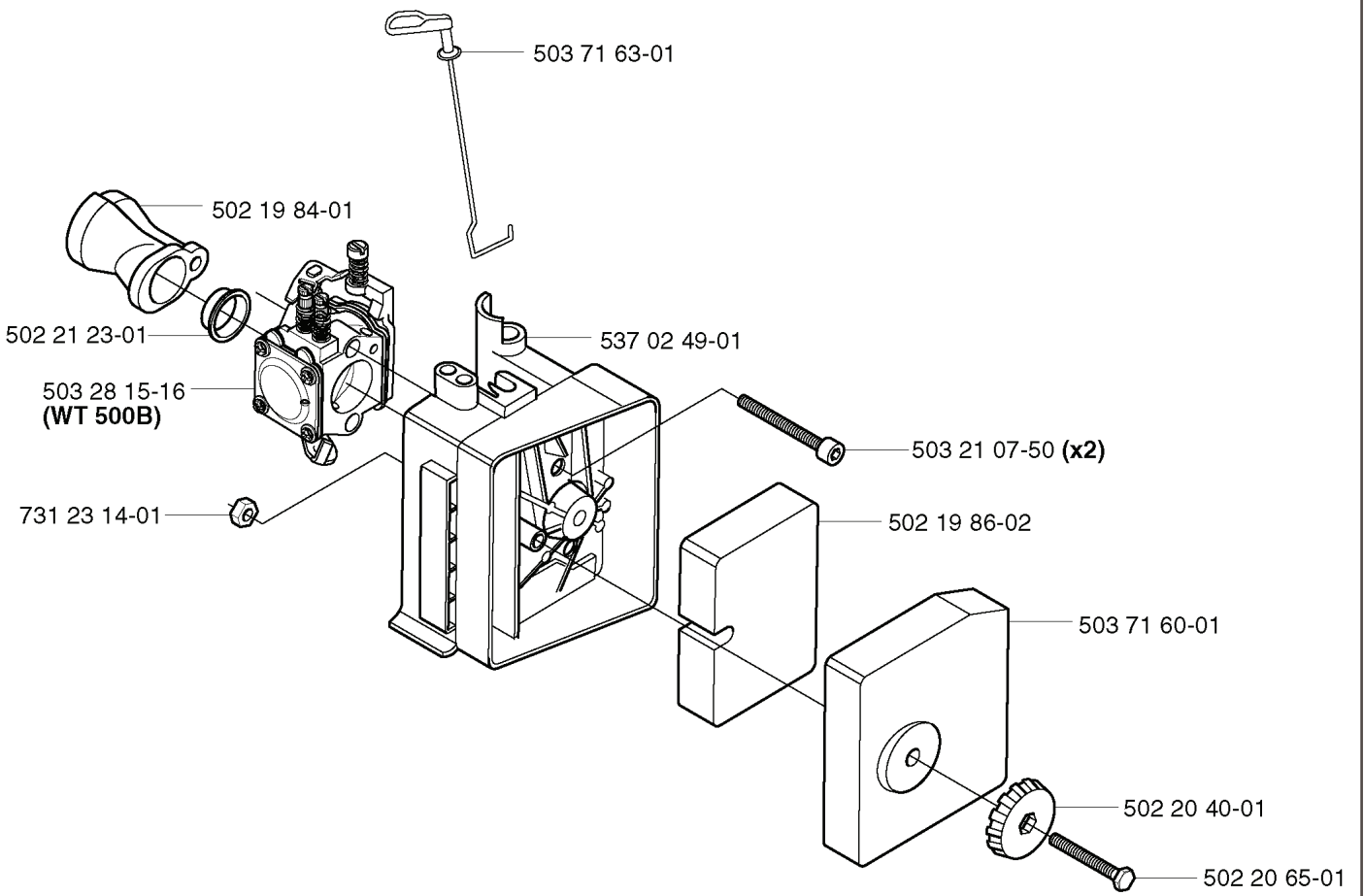


① 530 03 51-73
Set of gaskets
Dichtungssatz
Jeu de joints
Juego de juntas
Packningssats

REF.	PART NO.	DESCRIPTION	REMARK	QTY.	KIT
503 28 15-16	503281516	CARBURETTOR		1	
503 10 87-01	503108701	SCREW		4	
503 99 46-01	503994601	SHAFT ASSY		1	
506 02 81-01	506028101	VALVE		1	
502 10 31-01	502103101	BUSHING		1	
505 31 67-82	505316782	LEVER		1	
503 99 47-01	503994701	SPRING		1	
502 21 37-01	502213701	FITTING		1	
501 46 84-01	501468401	SPRING		1	
501 46 85-01	501468501	BALL		1	
501 66 61-01	501666101	SCREEN		1	
504 13 08-07	504130807	DIAPHRAGM PUMP	530 03 51-73 SET OF GASKETS	1	
504 13 09-06	504130906	GASKET	530 03 51-73 SET OF GASKETS	1	
503 99 44-01	503994401	COVER		1	
501 46 69-01	501466901	SCREW		1	
503 10 47-01	503104701	SCREW		1	
501 66 78-01	501667801	SPRING		1	
503 99 45-01	503994501	SHAFT ASSY		1	
505 31 67-45	505316745	SPRING		1	
502 21 33-01	502213301	VALVE THROTTLE		1	
503 91 54-01	503915401	RETAINER		1	
503 91 40-01	503914001	LIMITER CAP		1	
503 91 39-01	503913901	LIMITER CAP		1	
537 04 33-01	537043301	NEEDLE		1	
503 91 51-01	503915101	NEEDLE		1	
503 92 23-01	503922301	LIMITER CAP		1	
504 21 00-50	504210050	SPRING		1	
504 21 00-49	504210049	SPRING		1	
503 99 48-01	503994801	FITTING		1	
503 57 42-01	503574201	PLUG		1	
537 04 32-01	537043201	NOZZLE ASSY		1	
502 10 30-01	502103001	DISTANCE		1	
503 86 43-01	503864301	LEVER		1	
501 46 87-01	501468701	SCREW		1	
503 11 70-01	503117001	NEEDLE VALVE		1	
503 91 57-01	503915701	SPRING		1	
505 52 01-27	505520127	LEVER		1	
505 52 01-25	505520125	PIN		1	
505 31 67-17	505316717	SCREW		1	
505 52 01-10	505520110	GASKET	530 03 51-73 SET OF GASKETS	1	
503 89 67-01	503896701	DIAPHRAGM	530 03 51-73 SET OF GASKETS	1	

REF.	PART NO.	DESCRIPTION	REMARK	QTY.	KIT
505 31 67- 54	505316754	LOCK STYRMEMBRAN		1	

G



REF.	PART NO.	DESCRIPTION	REMARK	QTY.	KIT
502 19 84-01	502198401	INLET PIPE		1	
502 21 23-01	502212301	SUPPORT RING		1	
503 28 15-16	503281516	CARBURETTOR	WT 500B	1	
731 23 14-01	731231401	HEXAGON NUT		1	
537 02 49-01	537024901	FILTER HOLDER		1	
503 71 63-01	503716301	CHOKE CONTROL		1	
502 20 65-01	502206501	SCREW EHHM		1	
502 20 40-01	502204001	KNOB		1	
503 71 60-01	503716001	FILTER COVER		1	
502 19 86-02	502198602	AIR FILTER		1	
503 21 07-50	503210750	SCREW IHSCFT		2	

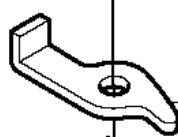
B

*compl 503 79 06-01



503 79 05-02* (x2)

503 22 10-11



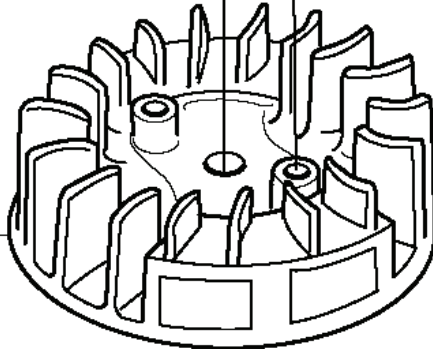
503 81 24-01* (x2)

503 23 01-01



503 81 29-01* (x2)

*



503 24 44-01

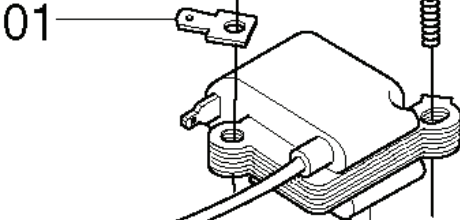


503 20 25-16 (x2)



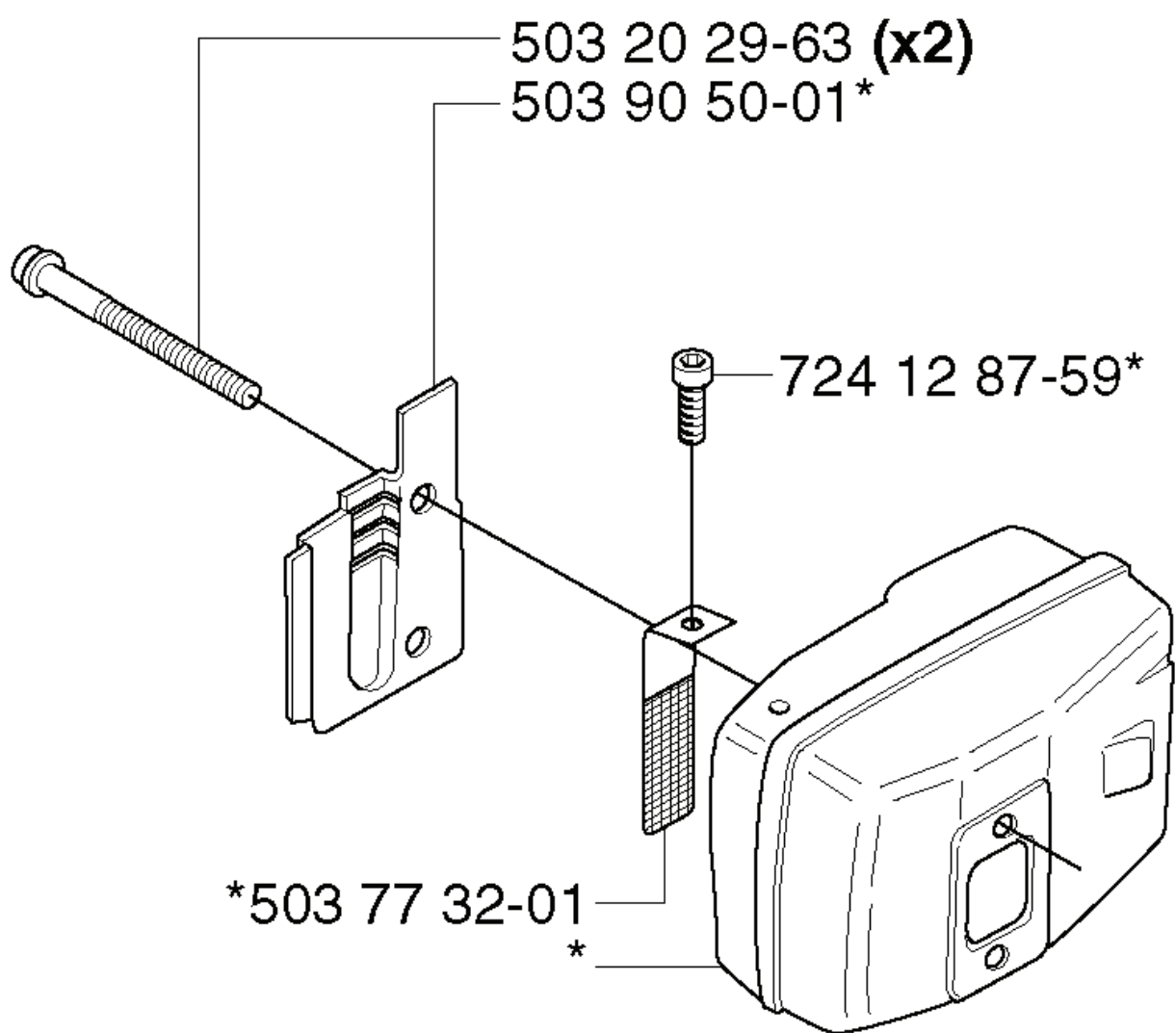
503 84 32-01

501 48 54-02



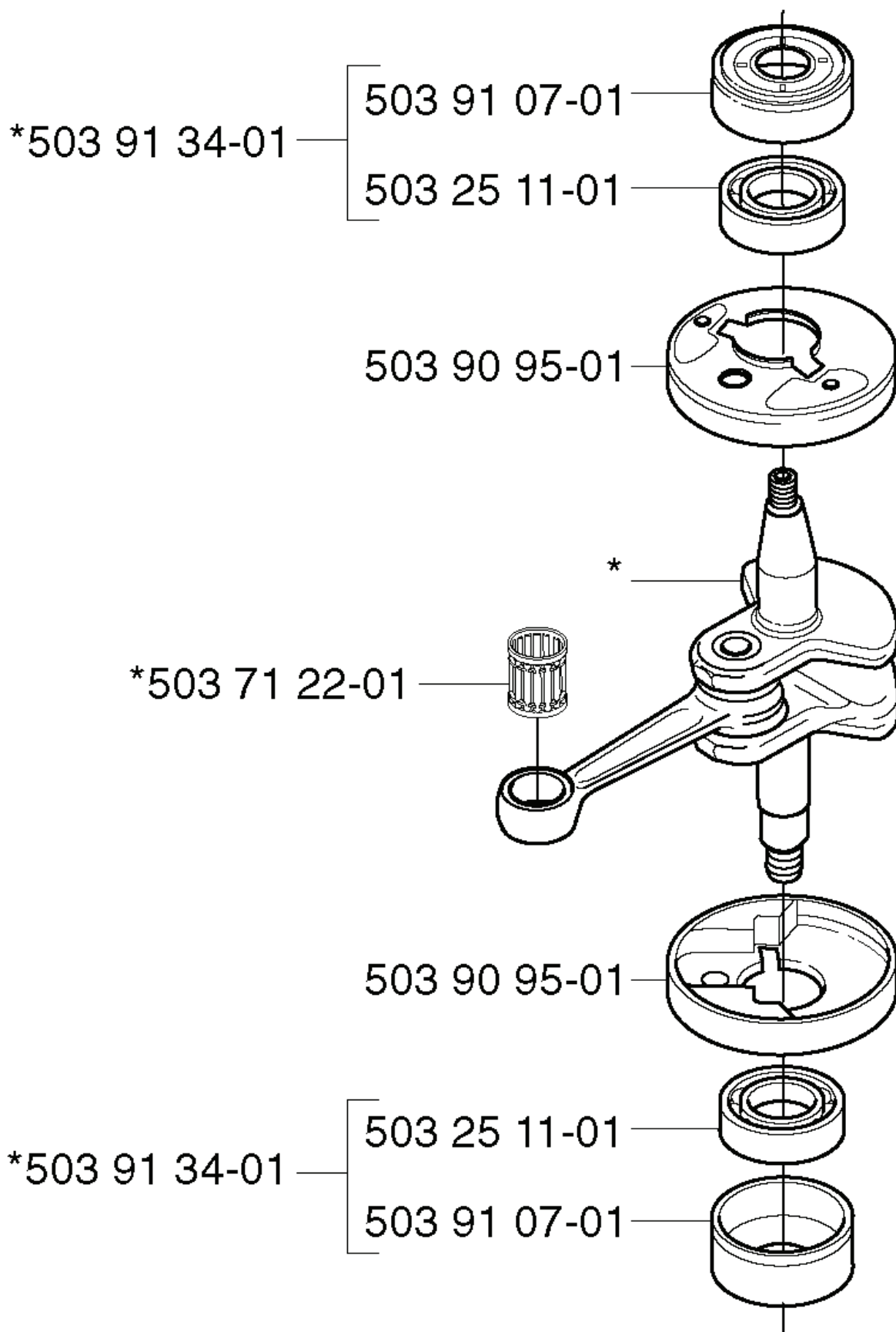
REF.	PART NO.	DESCRIPTION	REMARK	QTY.	KIT
503 79 06-01	503790601	FLYWHEEL		1	
503 22 10-11	503221011	HEXAGON NUT		1	
503 23 01-01	503230101	WASHER		1	
503 24 44-01	503244401	FLAT PIN		1	
501 48 54-02	501485402	SPARK PLUG CAP		1	
503 84 32-01	503843201	IGNITION MODULE		1	
503 20 25-16	503202516	SCREW IHSCM		2	
503 81 29-01	503812901	SPRING		2	
503 81 24-01	503812401	STARTER PAWL		2	
503 79 05-02	503790502	RIVET		2	

A *compl 503 90 48-01



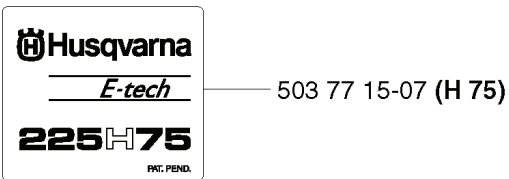
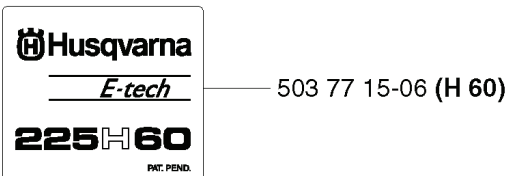
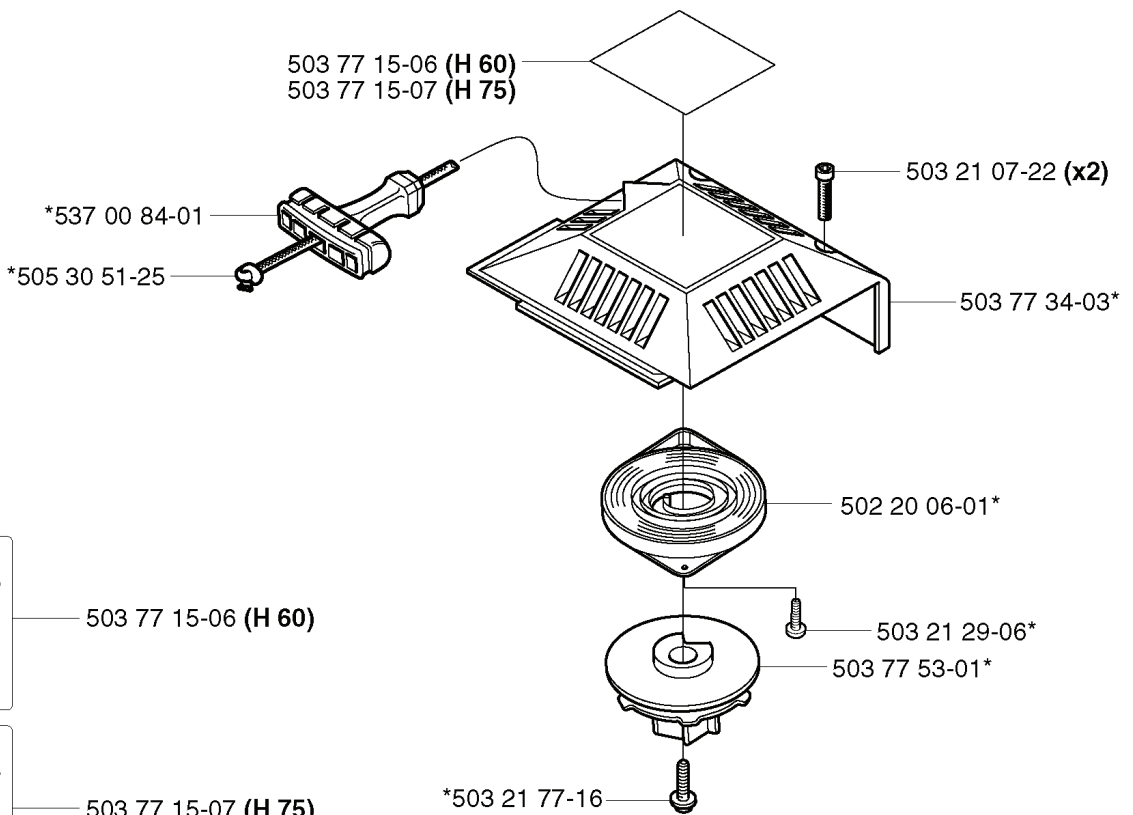
REF.	PART NO.	DESCRIPTION	REMARK	QTY.	KIT
503 90 48-01	503904801	MUFFLER ASSY		1	
503 20 29-63	503202963	SCREW IHSCFM		2	
503 90 50-01	503905001	EXHAUST DUCT		1	
503 77 32-01	503773201	SPARK ARRESTER		1	
724 12 87-59	724128759	SCREW CRPANM		1	

C *compl 503 72 44-04



REF.	PART NO.	DESCRIPTION	REMARK	QTY.	KIT
503 72 44-04	503724404	CRANKSHAFT ASSY		1	
503 71 22-01	503712201	BEARING		1	
503 91 34-01	503913401	BEARING CAGE		1	
503 91 07-01	503910701	BEARING CAGE		1	
503 25 11-01	503251101	BALL BEARING		1	
503 90 95-01	503909501	CUP		1	

H *compl 503 77 34-02

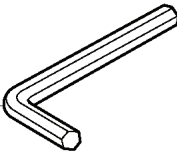


REF.	PART NO.	DESCRIPTION	REMARK	QTY.	KIT
5037734-02	503773402	STARTER		1	
5370084-01	537008401	STARTER HANDLE		1	
5053051-25	505305125	STARTER ROPE		1	
5037715-06	503771506	LABEL	H 60	1	
5037715-07	503771507	LABEL	H 75	1	
5032177-16	503217716	SCREW IHSCT		1	
5037753-01	503775301	STARTER PULLEY		1	
5032129-06	503212906	SCREW CCRPANT		1	
5022006-01	502200601	SPRING CASSETTE ASSY		1	
5037734-03	503773403	STARTER		1	
5032107-22	503210722	SCREW IHSCT		2	

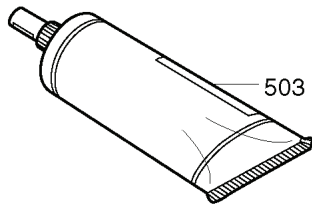
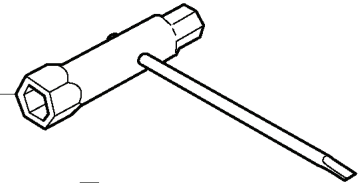
M *compl 502 21 60-09

Accessories
Zubehöre
Accessoires
Acessorios
Tillbehör

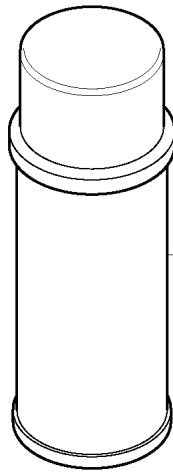
*502 21 58-01



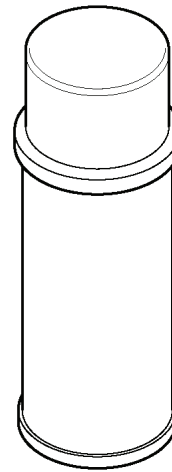
*501 69 17-01



503 98 96-01*



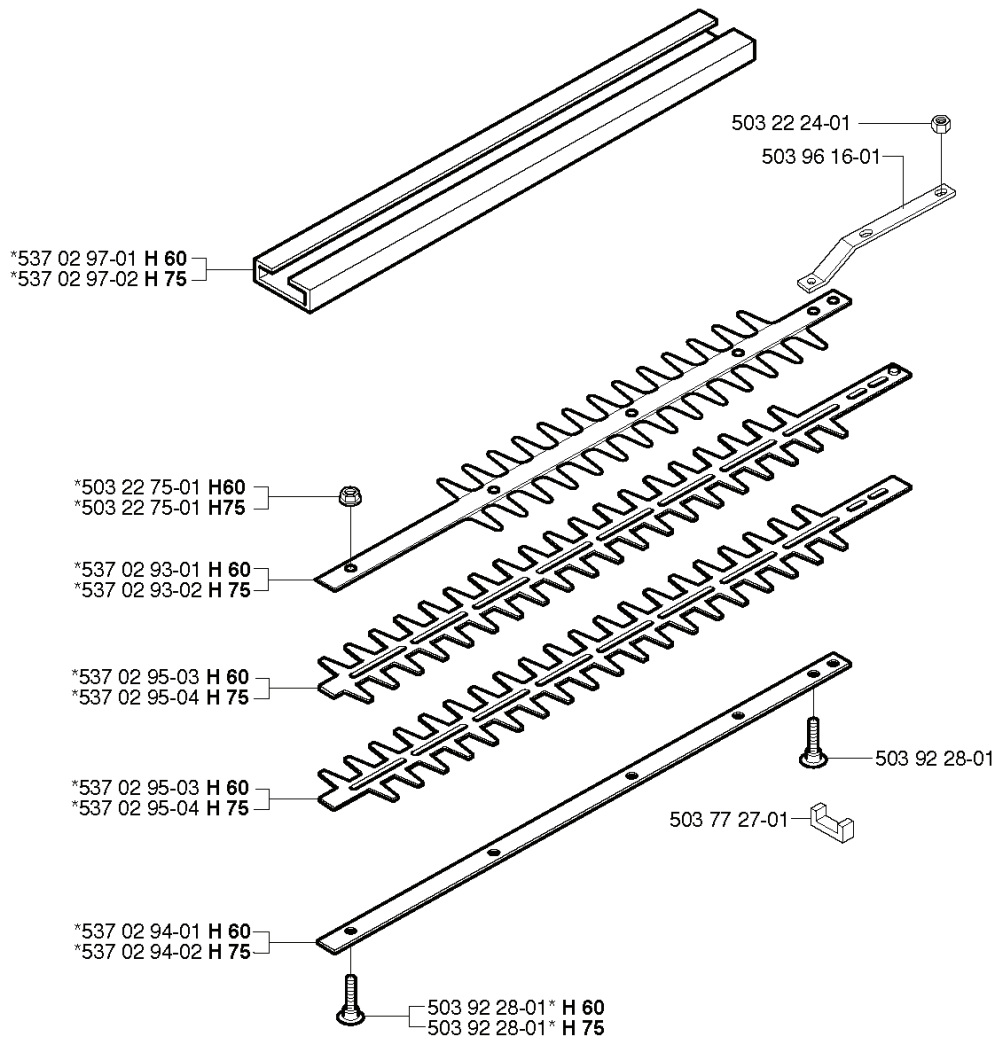
531 00 75-13 **UL22**



531 00 75-12 **UL21**

REF.	PART NO.	DESCRIPTION	REMARK	QTY.	KIT
502 21 60-09	502216009	ACCESSORY BAG		1	
502 21 58-01	502215801	WRENCH		1	
503 98 96-01	503989601	GREASE		1	
531 00 75-13	531007513	GREASE	UL22	1	
501 69 17-01	501691701	COMBINATION WRENCH		1	
531 00 75-12	531007512	GREASE	UL21	1	

L *compl 537 02 96-03 H 60
*compl 537 02 96-04 H 75



REF.	PART NO.	DESCRIPTION	REMARK	QTY.	KIT
537 02 96-03	537029603	CUTTING DECK	H 60	1	
537 02 96-04	537029604	CUTTING DECK	H 75	1	
537029701	537029701	PROTECTIVE COVER	H 60	1	
537029702	537029702	PROTECTIVE COVER	H 75	1	
503227501	503227501	NUT	H60	4	
537029301	537029301	PROTECTIVE PLATE	H 60	1	
537029302	537029302	PROTECTIVE PLATE	H 75	1	
537029503	537029503	BLADE	H 60. Qty in package only one	2	
537029504	537029504	BLADE	H 75. Qty in package only one	2	
537029401	537029401	BASEPLATE	H 60	1	
537029402	537029402	BASEPLATE	H 75	1	
503 92 28-01	503922801	SCREW	H 60	4	
503 77 27-01	503772701	SEALING		1	
503 96 16-01	503961601	SUPPORT		1	
503 22 24-01	503222401	LOCK NUT		3	