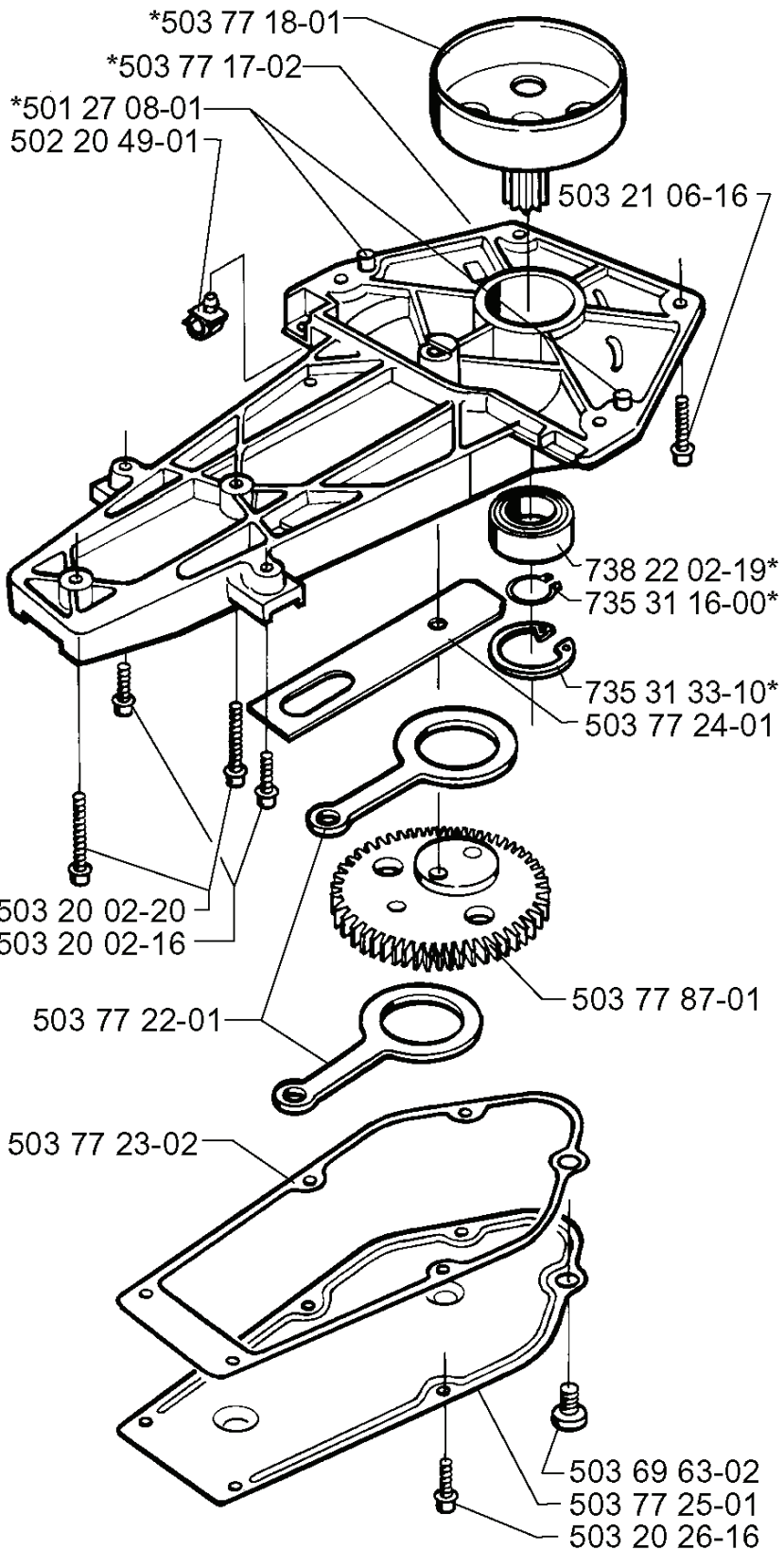


225 H60, 19970500001-19980900000

SPARE PARTS LIST

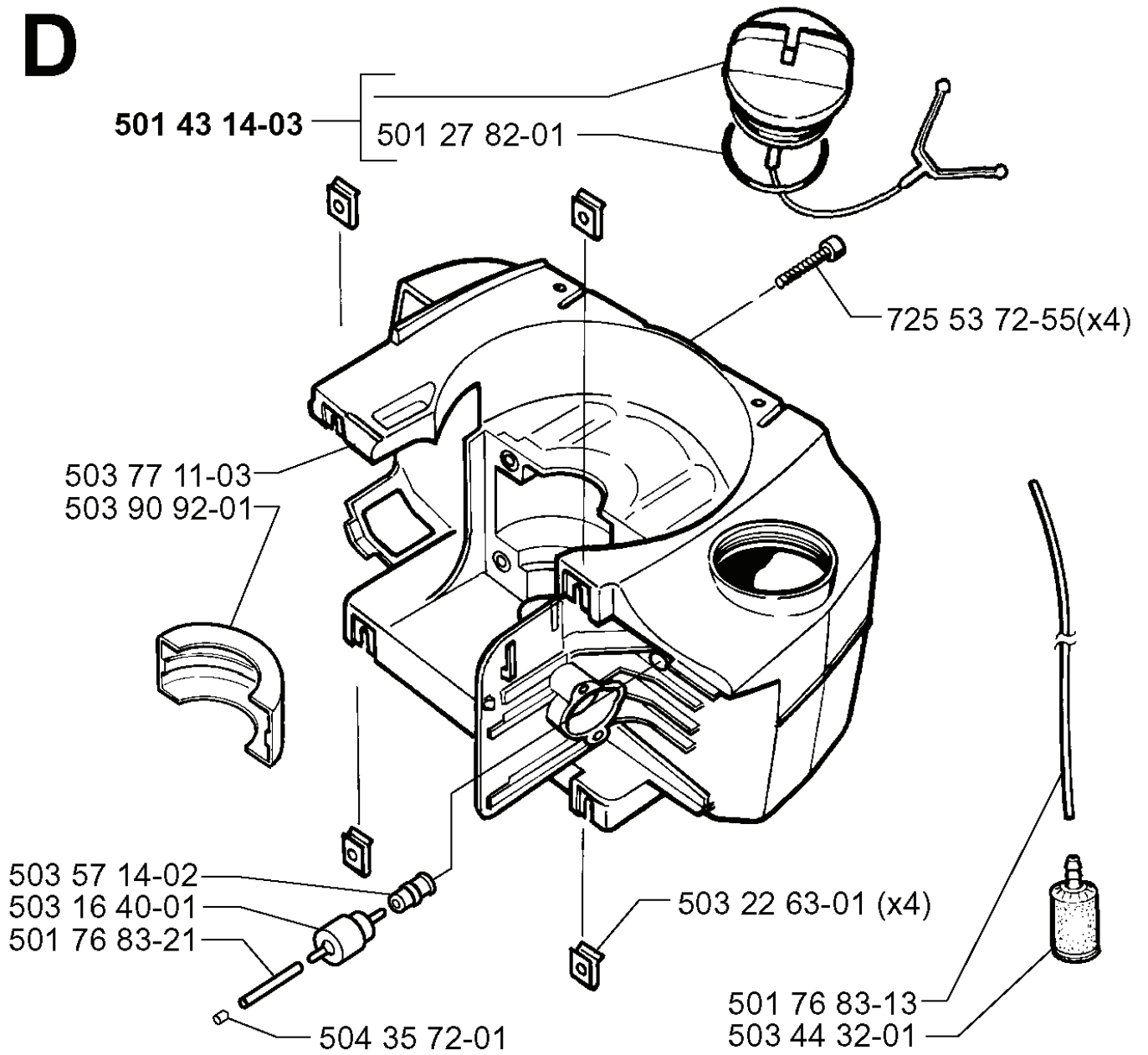
K *compl 503 77 16-03

503 52 12-04
compl 503 71 40-02



REF.	PART NO.	DESCRIPTION	REMARK	QTY.	KIT
503 77 16-03	503771603	GEAR HOUSING		1	
503 52 12-04	503521204	WASHER		1	
503 71 40-02	503714002	CLUTCH ASSY		1	
503 77 18-01	503771801	CLUTCH DRUM ASSY		1	
503 77 17-02	503771702	GEAR HOUSING		1	
501 27 08-01	501270801	GUIDE BUSHING		1	
502 20 49-01	502204901	CLIP		1	
503 20 02-20	503200220	SCREW IHSCFM		1	
503 20 02-16	503200216	SCREW IHSCFM		1	
503 77 22-01	503772201	CONNECTING ROD		1	
503 77 23-02	503772302	GASKET		1	
503 20 26-16	503202616	SCREW IHSCM		1	
503 77 25-01	503772501	HUB CAP		1	
503 69 63-02	503696302	PLUG		1	
503 77 87-01	503778701	ECCENTRIC		1	
503 77 24-01	503772401	WEAR PROTECTION		1	
735 31 33-10	735313310	CIRCLIP		1	
735 31 16-00	735311600	CIRCLIP		1	
738 22 02-19	738220219	BALL BEARING		1	
503 21 06-16	503210616	SCREW IH SCT		1	

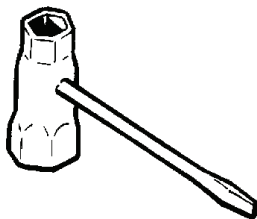
D



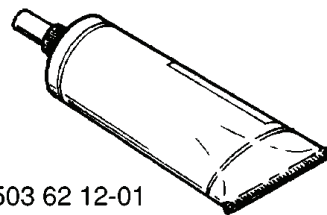
REF.	PART NO.	DESCRIPTION	REMARK	QTY.	KIT
501 43 14-03	501431403	TANK CAP ASSY		1	
503 77 11-03	503771103	CRANKCASE		1	
503 90 92-01	503909201	INSERT		1	
503 57 14-02	503571402	VENTILATING HOSE		1	
503 16 40-01	503164001	TANK VENT		1	
501 76 83-21	501768321	FUEL HOSE		1	
504 35 72-01	504357201	PLUG		1	
503 44 32-01	503443201	FUEL FILTER		1	
501 76 83-13	501768313	FUEL HOSE		1	
503 22 63-01	503226301	NUT QUICK-COUPLING		4	
725 53 72-55	725537255	SCREW IHSCM		4	
501 27 82-01	501278201	GASKET		1	

N Accessories
Zubehöre
Accessoires
Acessorios
Tillbehör

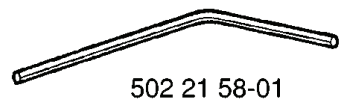
compl 502 21 60-09



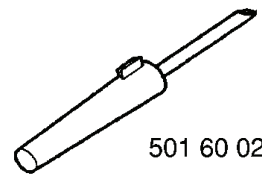
501 69 17-01



503 62 12-01



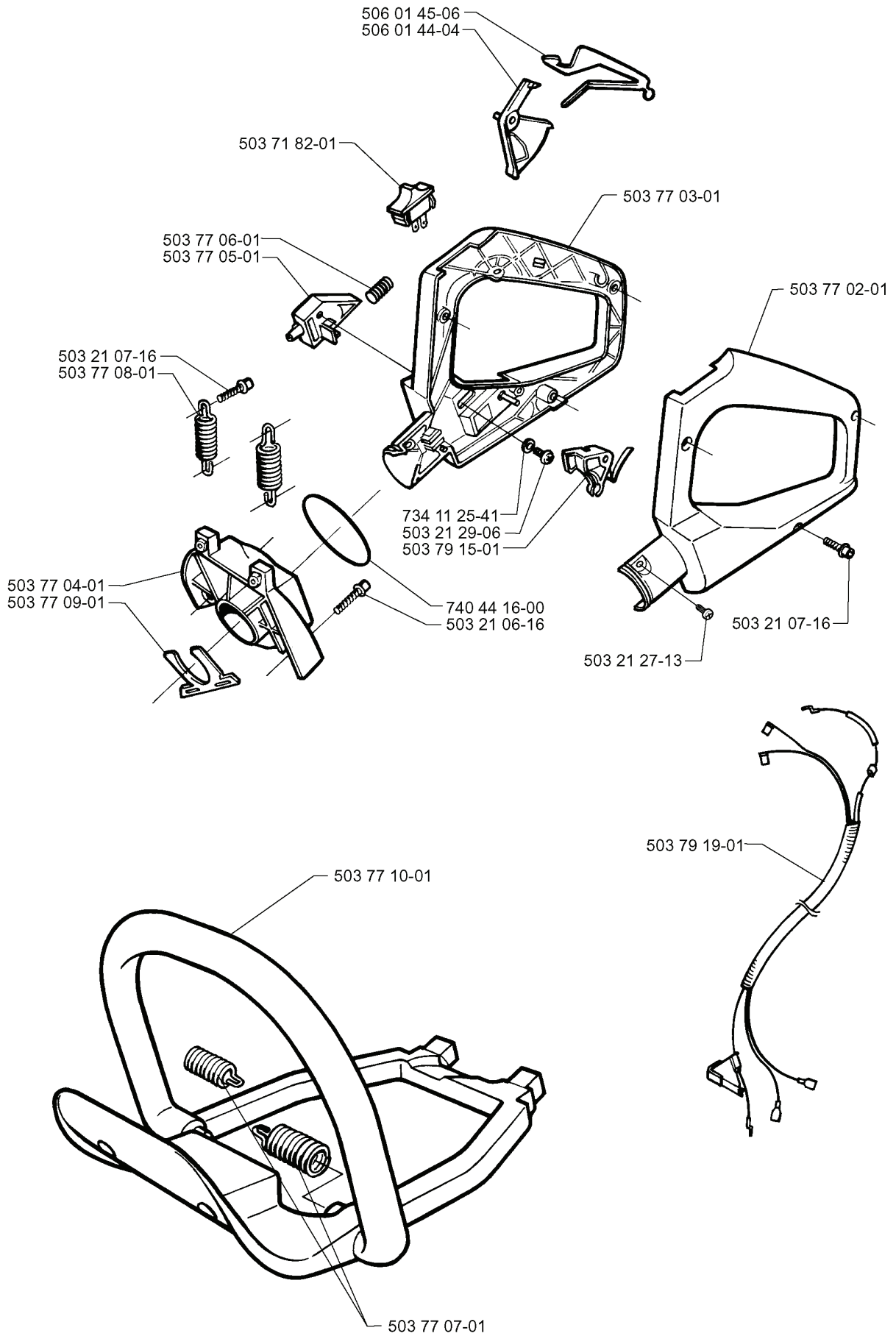
502 21 58-01



501 60 02-02

REF.	PART NO.	DESCRIPTION	REMARK	QTY.	KIT
5016917-01	501691701	COMBINATION WRENCH		1	
5036212-01	503621201	GREASE		1	
5022160-09	502216009	ACCESSORY BAG		1	
5016002-02	501600202	SCREWDRIVER		1	
5022158-01	502215801	WRENCH		1	

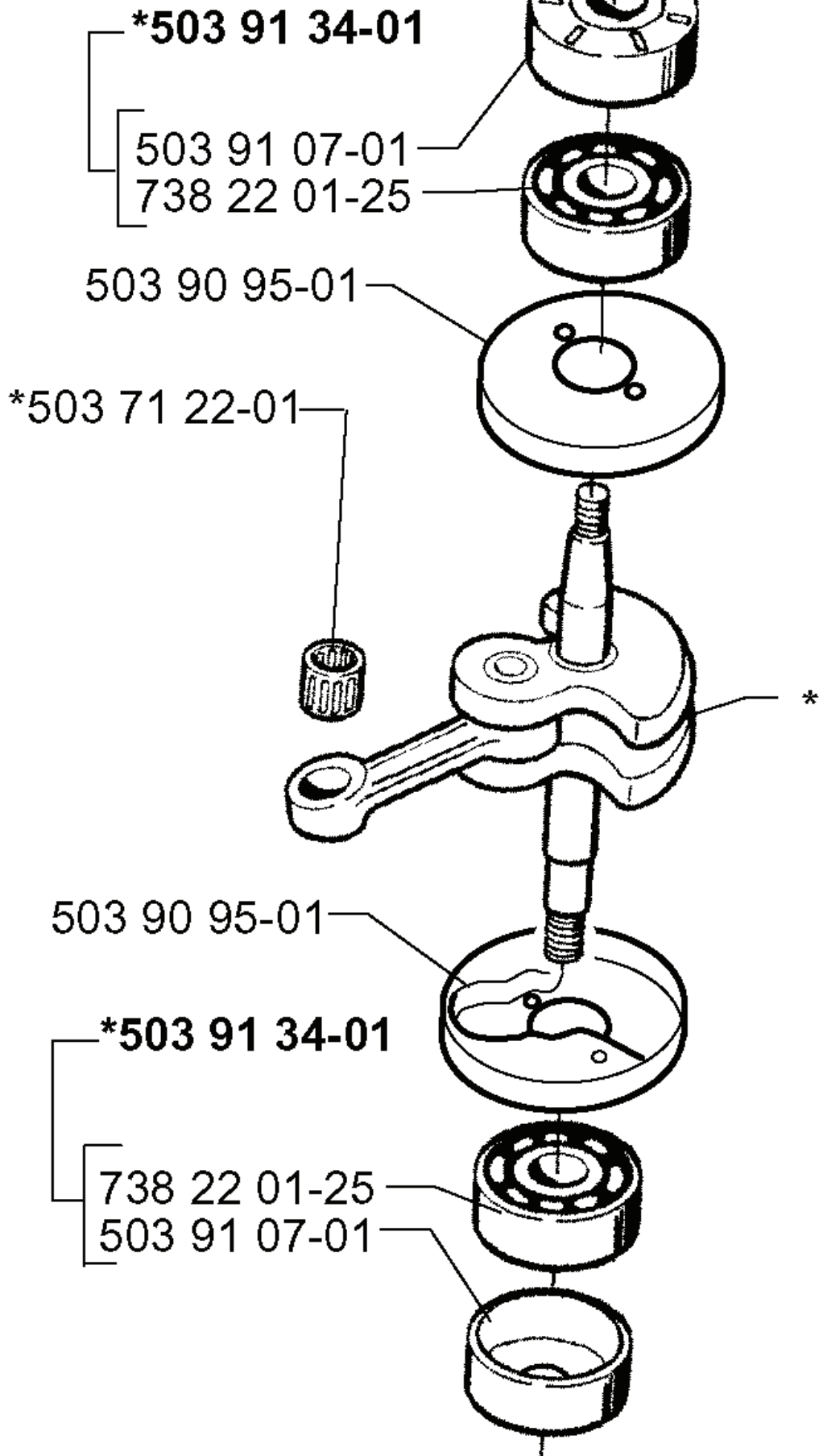
L



REF.	PART NO.	DESCRIPTION	REMARK	QTY.	KIT
506 01 45-06	506014506	THROTTLE LOCKOUT		1	
506 01 44-04	506014404	THROTTLE TRIGGER		1	
503 71 82-01	503718201	SWITCH		1	
503 77 06-01	503770601	RECOIL SPRING		1	
503 77 05-01	503770501	LOCKING BUTTON		1	
503 21 07-16	503210716	SCREW IHSCT		1	
503 77 08-01	503770801	ANTIVIBRATION ELEMENT		1	
503 77 04-01	503770401	SPRING RETAINER		1	
503 77 09-01	503770901	SECURING PLATE		1	
503 77 10-01	503771001	FRONT HANDLE		1	
503 77 07-01	503770701	ANTIVIBRATION ELEMENT		1	
503 79 19-01	503791901	WIRING ASSY		1	
503 21 27-13	503212713	SCREW CCRPANT		1	
503 21 06-16	503210616	SCREW IHSCT		1	
740 44 16-00	740441600	O-RING		1	
503 79 15-01	503791501	LATCH		1	
503 21 29-06	503212906	SCREW CCRPANT		1	
734 11 25-41	734112541	WASHER		1	
503 77 02-01	503770201	HANDLE HALF		1	
503 77 03-01	503770301	HANDLE HALF		1	

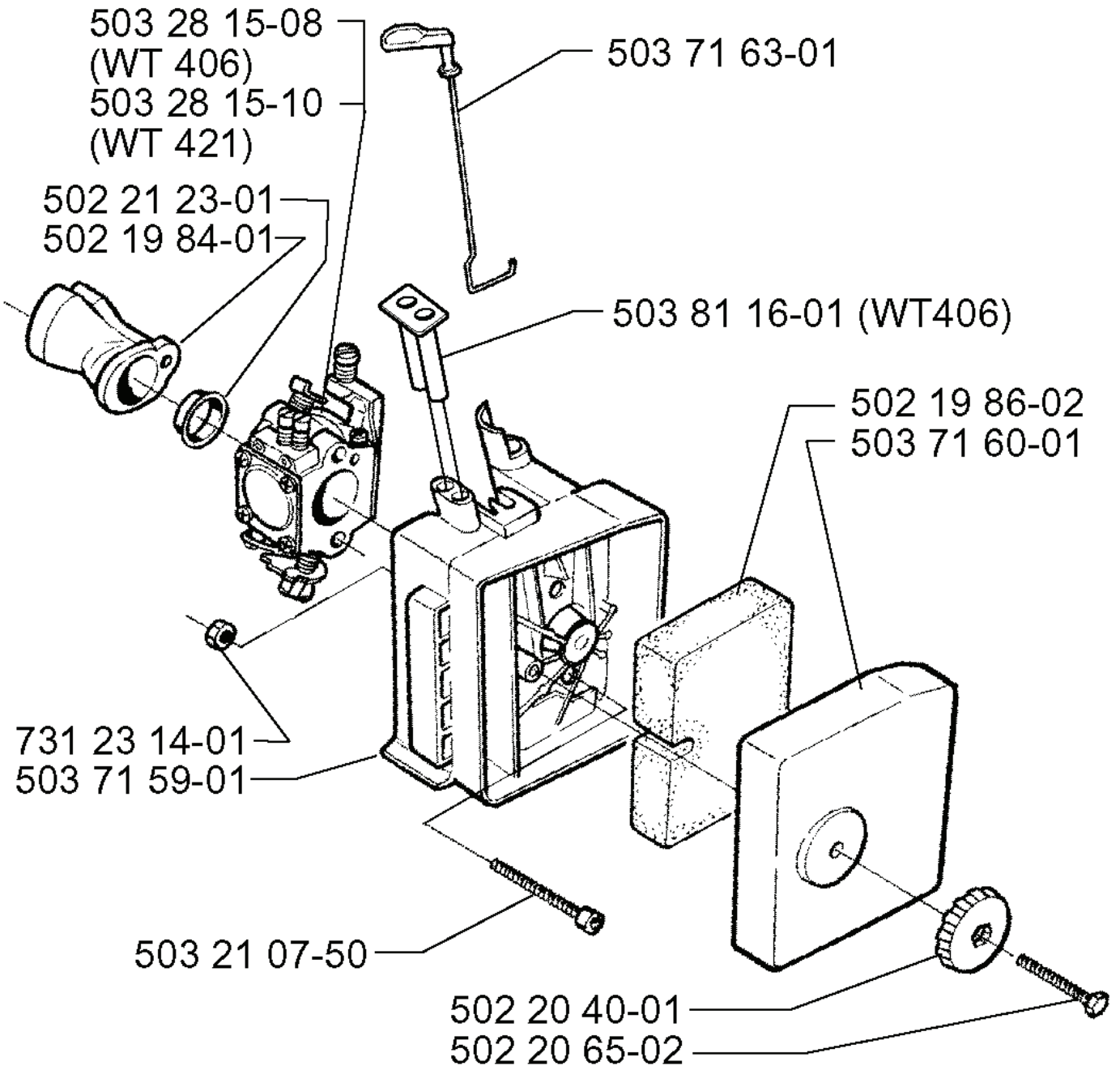
C

***compl 503 72 44-04**



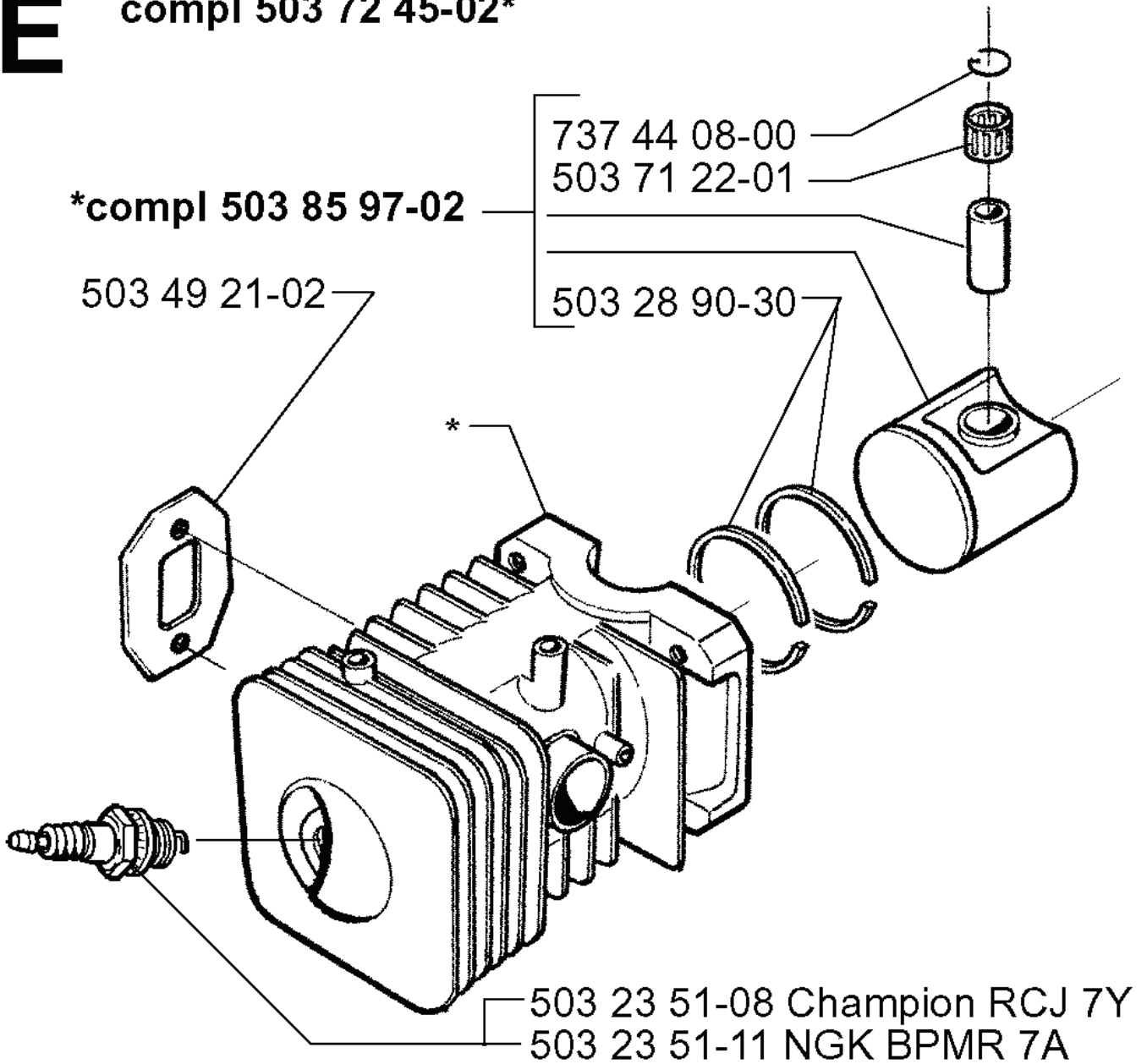
REF.	PART NO.	DESCRIPTION	REMARK	QTY.	KIT
503 72 44-04	503724404	CRANKSHAFT ASSY		1	
503 91 07-01	503910701	BEARING CAGE		1	
503 90 95-01	503909501	CUP		1	
503 71 22-01	503712201	BEARING		1	
503 91 34-01	503913401	BEARING CAGE		1	
738 22 01-25	738220125	BALL BEARING		1	

G



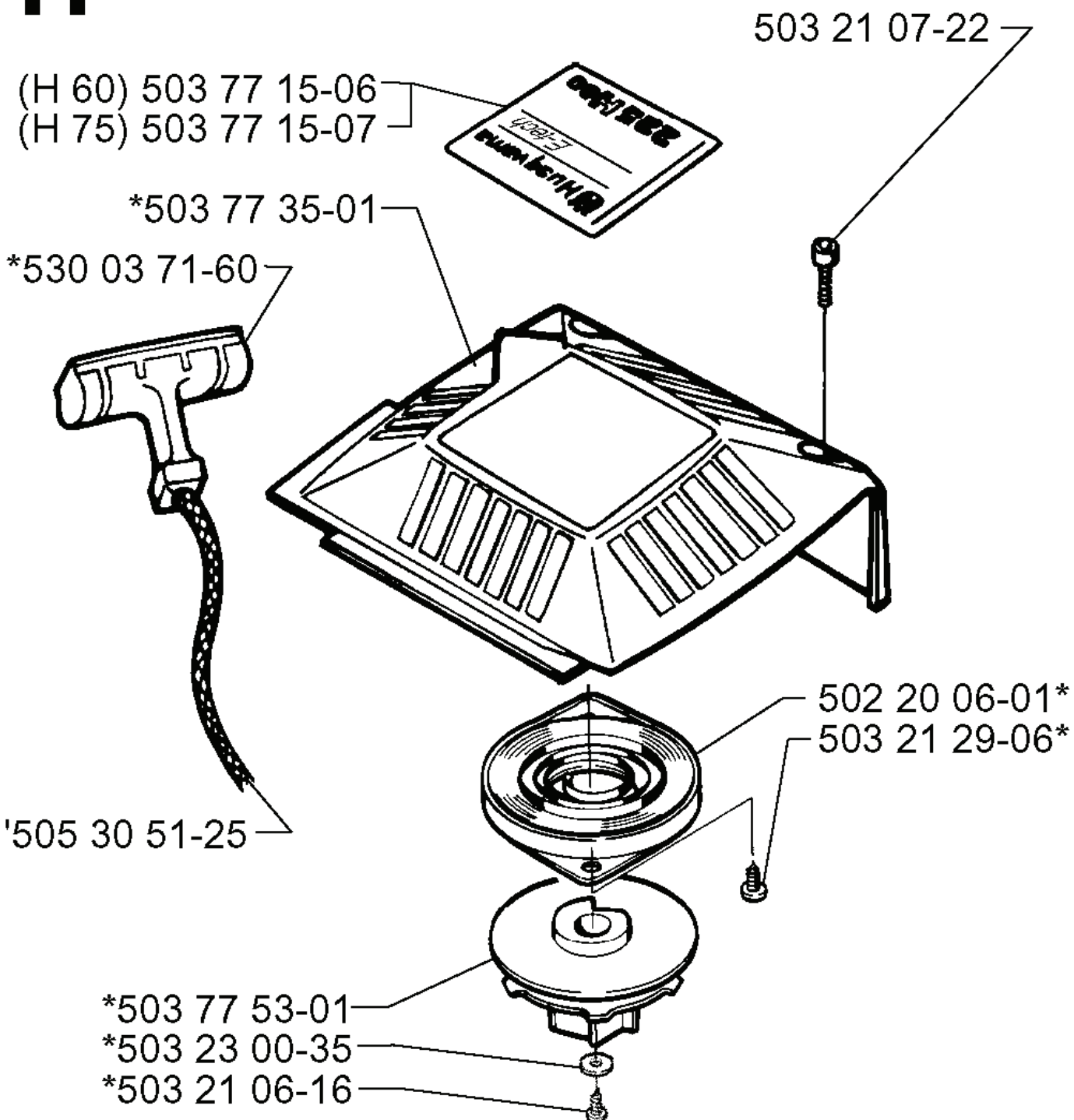
REF.	PART NO.	DESCRIPTION	REMARK	QTY.	KIT
5032815-08	503281508	CARBURETTOR	WT 406	1	
5032815-10	503281510	CARBURETTOR	WT 421	1	
5022123-01	502212301	SUPPORT RING		1	
5021984-01	502198401	INLET PIPE		1	
7312314-01	731231401	HEXAGON NUT		1	
5037159-01	503715901	FILTER HOLDER		1	
5032107-50	503210750	SCREW IHSCFT		1	
5022065-02	502206502	SCREW EHHM		1	
5022040-01	502204001	KNOB		1	
5037160-01	503716001	FILTER COVER		1	
5021986-02	502198602	AIR FILTER		1	
5038116-01	503811601	GUIDE BUSHING	WT406	1	
5037163-01	503716301	CHOKE CONTROL		1	

E compl 503 72 45-02*



REF.	PART NO.	DESCRIPTION	REMARK	QTY.	KIT
503 72 45-02	503724502	PISTON		1	
503 85 97-02	503859702	PISTON ASSY		1	
503 49 21-02	503492102	GASKET		1	
503 23 51-11	503235111	SPARK PLUG	NGK BPMR 7A	1	
503 23 51-08	503235108	SPARK PLUG	CHAMPION RCJ 7Y	1	
503 28 90-30	503289030	PISTON RING		1	
503 71 22-01	503712201	BEARING		1	
737 44 08-00	737440800	CIRCLIP		1	

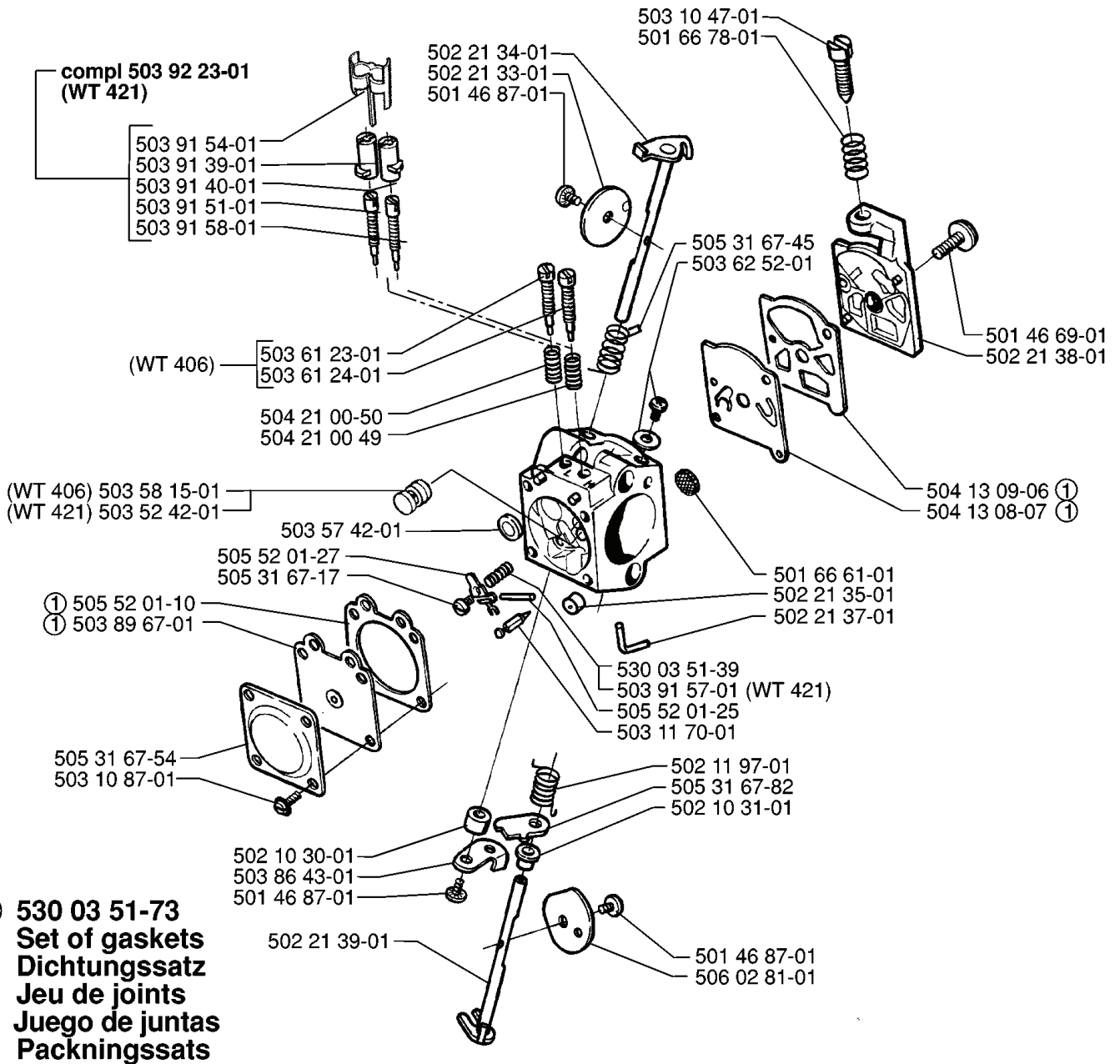
H *compl 503 77 34-01



REF.	PART NO.	DESCRIPTION	REMARK	QTY.	KIT
503 77 34-01	503773401	STARTER		1	
503 77 15-06	503771506	LABEL	H 60	1	
503 77 15-07	503771507	LABEL	H 75	1	
503 77 35-01	503773501	STARTER HOUSING		1	
530 03 71-60	530037160	STARTER HANDLE		1	
505 30 51-25	505305125	STARTER ROPE		1	
503 77 53-01	503775301	STARTER PULLEY		1	
503 23 00-35	503230035	WASHER		1	
503 21 06-16	503210616	SCREW IHSCT		1	
503 21 29-06	503212906	SCREW CCRPANT		1	
502 20 06-01	502200601	SPRING CASSETTE ASSY		1	
503 21 07-22	503210722	SCREW IHSCT		1	

M

compl 503 28 15-10 **Walbro WT 421**
compl 503 28 15-08 **Walbro WT 406**



REF.	PART NO.	DESCRIPTION	REMARK	QTY.	KIT
503 28 15-10	503281510	CARBURETTOR		1	
503 28 15-08	503281508	CARBURETTOR		1	
503 92 23-01	503922301	LIMITER CAP	WT 421	1	
503 91 54-01	503915401	RETAINER		1	
503 91 39-01	503913901	LIMITER CAP		1	
503 91 40-01	503914001	LIMITER CAP		1	
503 91 51-01	503915101	NEEDLE		1	
503 91 58-01	503915801	NEEDLE		1	
503 61 23-01	503612301	NEEDLE IDLE SPEED	WT 406	1	
503 61 24-01	503612401	NEEDLE-HIGH SPEED	WT 406	1	
504 21 00-50	504210050	SPRING		1	
504 21 00 49	504210049	SPRING		1	
503 58 15-01	503581501	NOZZLE ASSY	WT 406	1	
503 52 42-01	503524201	NOZZLE ASSY	WT 421	1	
503 57 42-01	503574201	PLUG		1	
505 52 01-27	505520127	LEVER		1	
505 31 67-17	505316717	SCREW		1	
505 52 01-10	505520110	GASKET	530 03 51-73 SET OF GASKETS	1	
503 89 67-01	503896701	DIAPHRAGM	530 03 51-73 SET OF GASKETS	1	
505 31 67-54	505316754	LOCK STYRMEMBRAN		1	
503 10 87-01	503108701	SCREW		1	
502 10 30-01	502103001	DISTANCE		1	
503 86 43-01	503864301	LEVER		1	
501 46 87-01	501468701	SCREW		1	
502 21 39-01	502213901	SHAFT ASSY		1	
506 02 81-01	506028101	VALVE		1	
502 10 31-01	502103101	BUSHING		1	
505 31 67-82	505316782	LEVER		1	
502 11 97-01	502119701	RECOIL SPRING		1	
503 11 70-01	503117001	NEEDLE VALVE		1	
505 52 01-25	505520125	PIN		1	
503 91 57-01	503915701	SPRING	WT 421	1	
530 03 51-39	530035139	SPRING		1	
502 21 37-01	502213701	FITTING		1	
502 21 35-01	502213501	SEAT INLET VALVE		1	
501 66 61-01	501666101	SCREEN		1	
504 13 08-07	504130807	DIAPHRAGM PUMP	530 03 51-73 SET OF GASKETS	1	
504 13 09-06	504130906	GASKET	530 03 51-73 SET OF GASKETS	1	
502 21 38-01	502213801	COVER		1	
501 46 69-01	501466901	SCREW		1	
503 62 52-01	503625201	SCREW ASSY		1	

REF.	PART NO.	DESCRIPTION	REMARK	QTY.	KIT
505 31 67-45	505316745	SPRING		1	
501 66 78-01	501667801	SPRING		1	
503 10 47-01	503104701	SCREW		1	
502 21 34-01	502213401	SHAFT ASS THROTTLE		1	
502 21 33-01	502213301	VALVE THROTTLE		1	

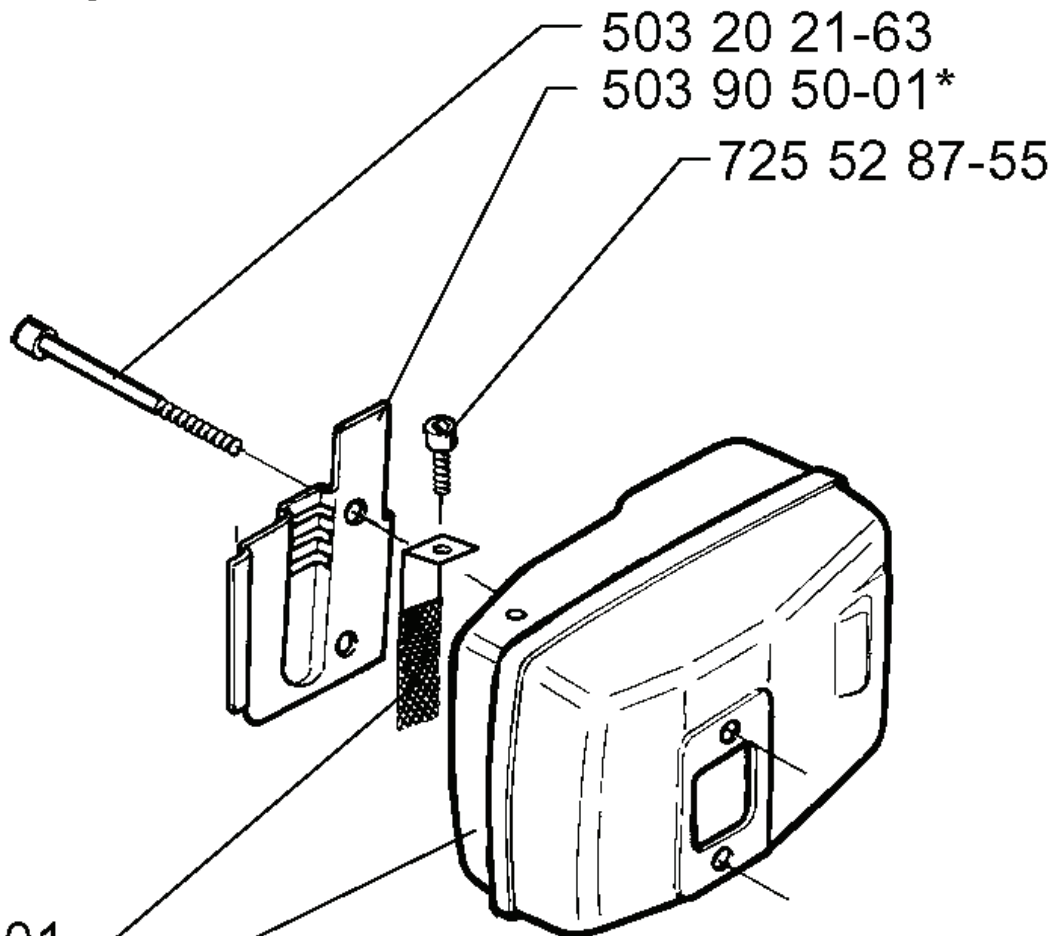
A

***compl 503 90 48-01**

503 20 21-63

503 90 50-01*

725 52 87-55

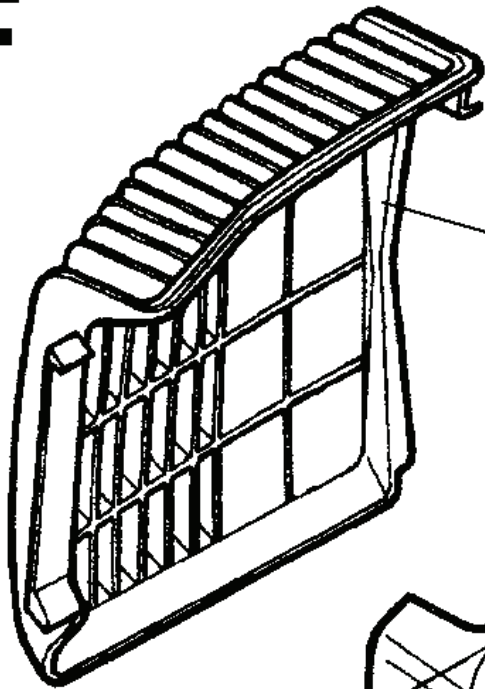


*503 77 32-01

*

REF.	PART NO.	DESCRIPTION	REMARK	QTY.	KIT
503 90 48-01	503904801	MUFFLER ASSY		1	
503 77 32-01	503773201	SPARK ARRESTER		1	
725 52 87-55	725528755	SCREW IHSCM		1	
503 90 50-01	503905001	EXHAUST DUCT		1	
503 20 21-63	503202163	SCREW IHSCM		1	

F

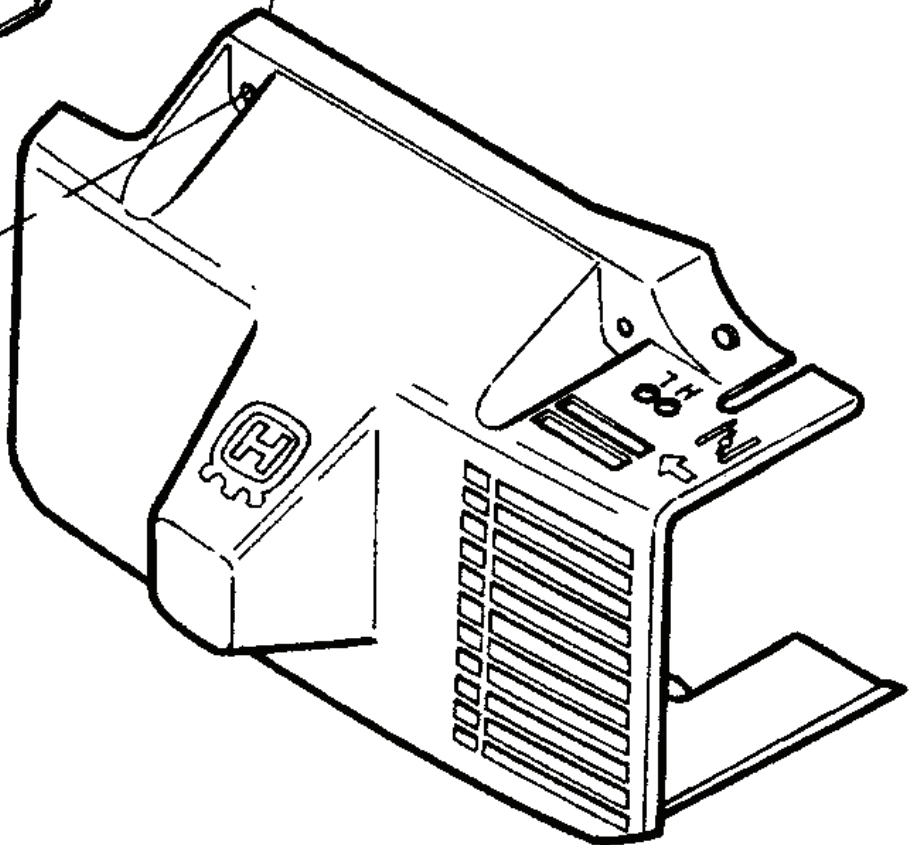


503 77 14-02

503 78 86-02



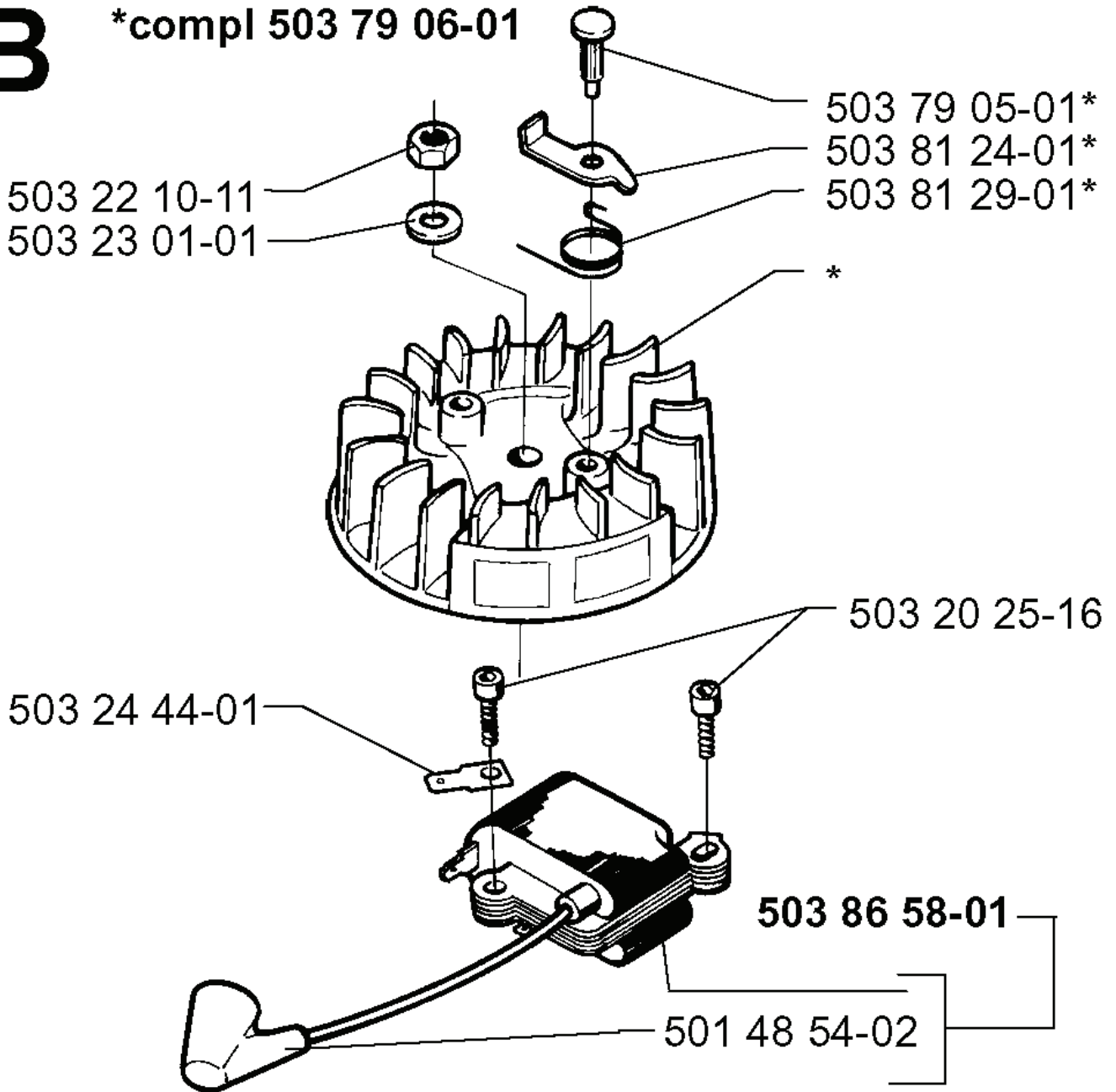
503 21 44-25



REF.	PART NO.	DESCRIPTION	REMARK	QTY.	KIT
503 21 44- 25	503214425	SCREW IHSCFTO		1	
503 78 86- 02	503788602	CYLINDER COVER		1	
503 77 14- 02	503771402	HEAT PROTECTOR		1	

B

***compl 503 79 06-01**

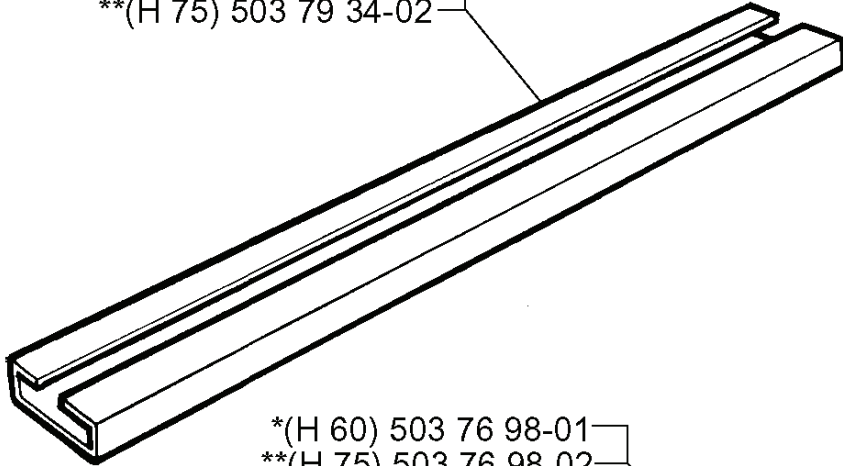


REF.	PART NO.	DESCRIPTION	REMARK	QTY.	KIT
503 79 06-01	503790601	FLYWHEEL		1	
503 22 10-11	503221011	HEXAGON NUT		1	
503 23 01-01	503230101	WASHER		1	
503 24 44-01	503244401	FLAT PIN		1	
501 48 54-02	501485402	SPARK PLUG CAP		1	
503 86 58-01	503865801	ELECTRONIC MODULE		1	
503 20 25-16	503202516	SCREW IHSCM		1	
503 81 29-01	503812901	SPRING		1	
503 81 24-01	503812401	STARTER PAWL		1	
503 79 05-01	503790501	RIVET		1	

J

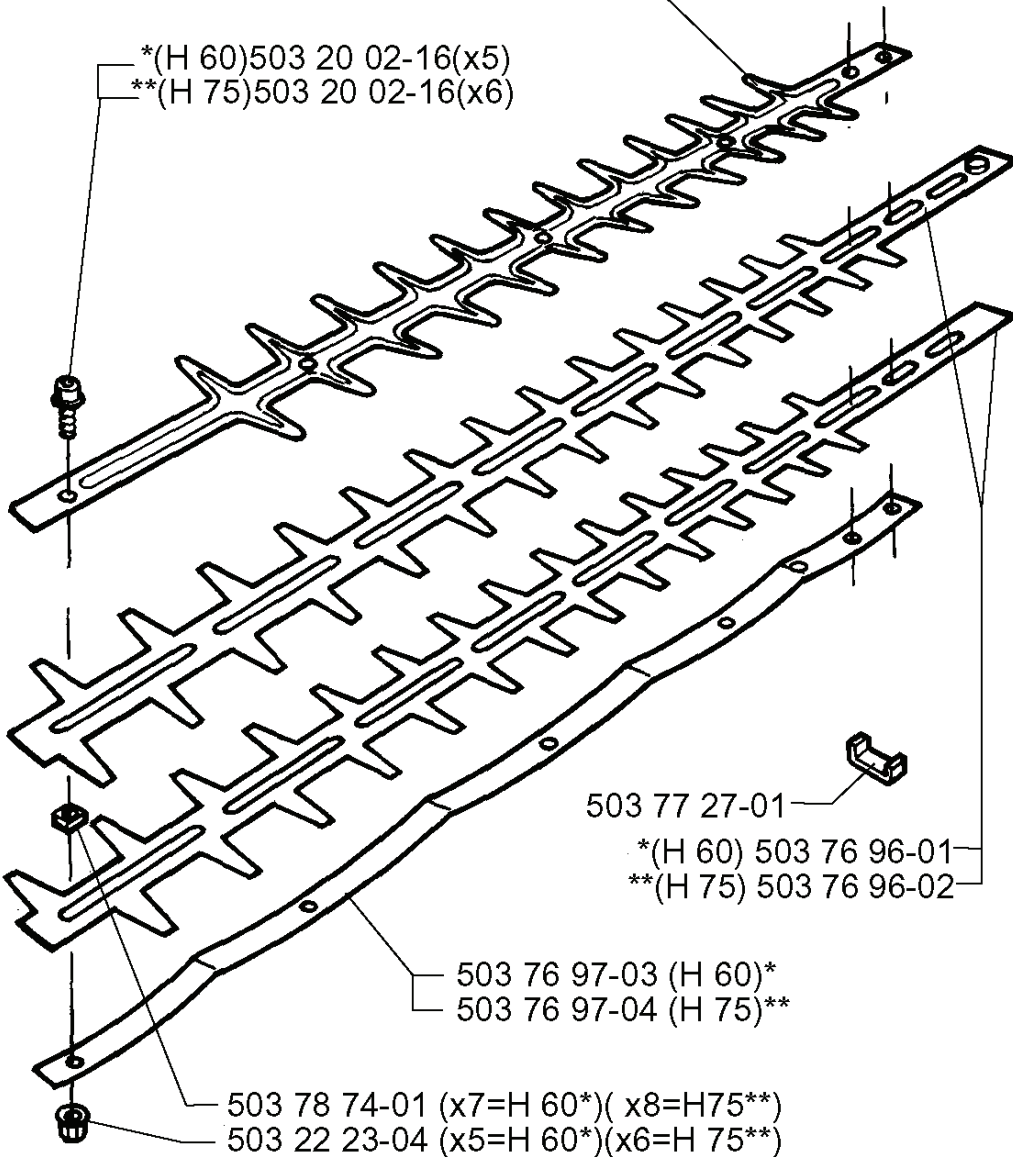
*compl 503 79 38-03 (H 60)
**compl 503 79 38-04 (H 75)

*(H 60) 503 79 34-01
**(H 75) 503 79 34-02



*(H 60) 503 76 98-01
**(H 75) 503 76 98-02

*(H 60) 503 20 02-16(x5)
**(H 75) 503 20 02-16(x6)



503 77 27-01
*(H 60) 503 76 96-01
**(H 75) 503 76 96-02

503 76 97-03 (H 60)*
503 76 97-04 (H 75)**

503 78 74-01 (x7=H 60*)(x8=H75**)
503 22 23-04 (x5=H 60*)(x6=H 75**)

REF.	PART NO.	DESCRIPTION	REMARK	QTY.	KIT
503 79 38-03	503793803	CUTTING DECK	H 60	1	
503 79 38-04	503793804	CUTTING DECK	H 75	1	
503 79 34-01	503793401	PROTECTIVE COVER	H 60	1	
503 79 34-02	503793402	PROTECTIVE COVER	H 75	1	
503 76 98-01	503769801	PROTECTIVE PLATE	H 60	1	
503 76 98-02	503769802	PROTECTIVE PLATE	H 75	1	
503 20 02-16	503200216	SCREW IHSCFM	H 60	6	
503 22 23-04	503222304	LOCK NUT	H 60	6	
503 78 74-01	503787401	SPACER	H 60	7	
503 76 97-04	503769704	PLATE	H 75	1	
503 76 97-03	503769703	PLATE	H 60	1	
503 76 96-02	503769602	BLADE	H 75	1	
503 76 96-01	503769601	BLADE	H 60	1	
503 77 27-01	503772701	SEALING		1	