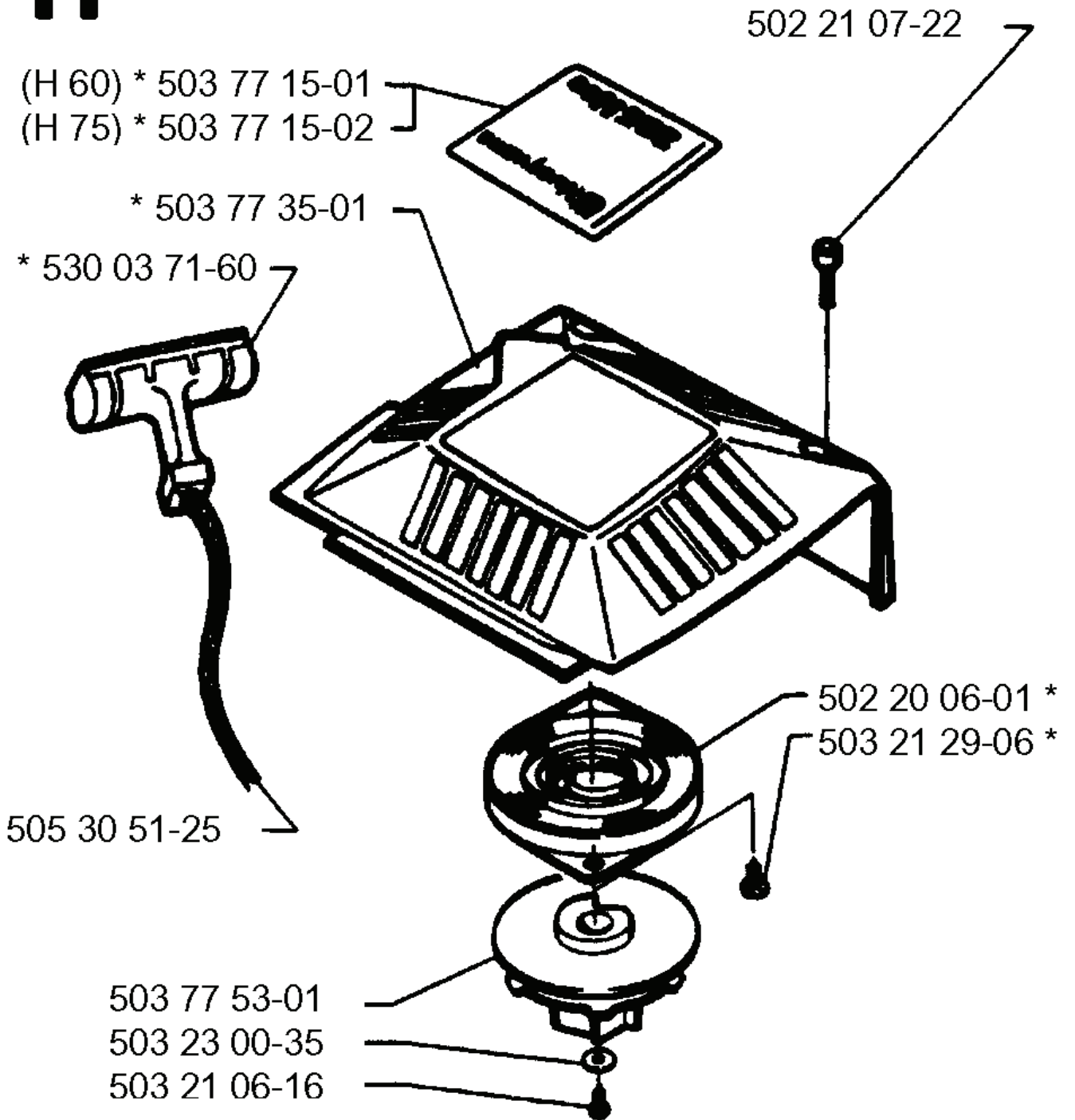


225 H75, 19960500001-19970500000

---

# **SPARE PARTS LIST**

# H \*compl 503 77 34-01



REF.	PART NO.	DESCRIPTION	REMARK	QTY.	KIT
503 77 34-01	503773401	STARTER		1	
503 77 15-01	503771501	LABEL	H 60	1	
503 77 15-02	503771502	LABEL	H 75	1	
503 77 35-01	503773501	STARTER HOUSING		1	
530 03 71-60	530037160	STARTER HANDLE		1	
505 30 51-25	505305125	STARTER ROPE		1	
503 77 53-01	503775301	STARTER PULLEY		1	
503 23 00-35	503230035	WASHER		1	
503 21 06-16	503210616	SCREW IHSCT		1	
503 21 29-06	503212906	SCREW CCRPANT		1	
502 20 06-01	502200601	SPRING CASSETTE ASSY		1	
502 21 07-22	502210722	SCREW		1	

# G

503 28 15-08

503 28 15-10

**Carb.USA**

502 21 23-01

502 19 84-01

503 71 63-01

503 81 16-01

502 19 86-02

503 71 60-01

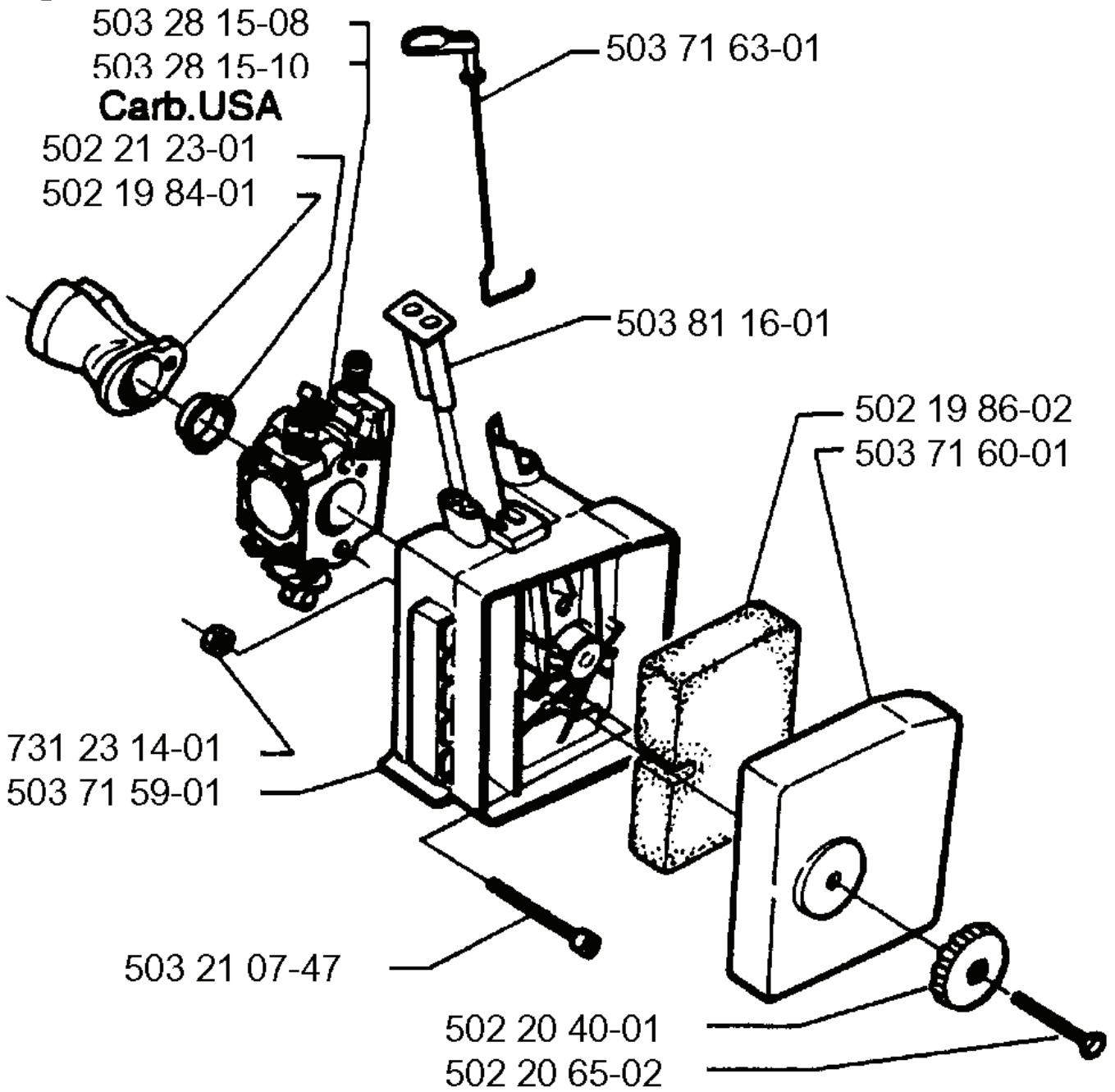
731 23 14-01

503 71 59-01

503 21 07-47

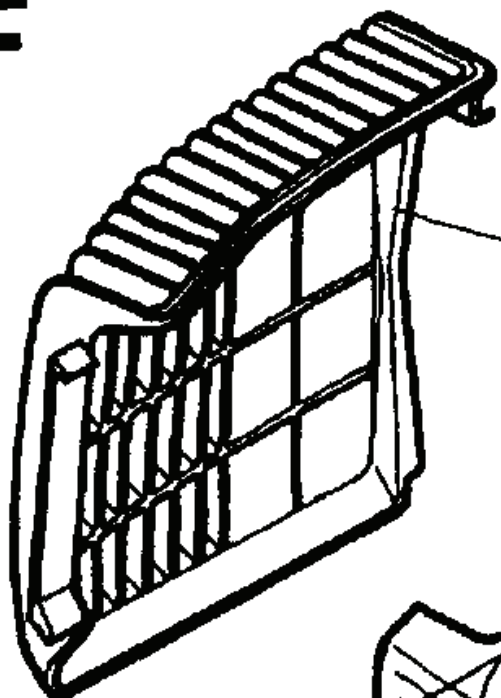
502 20 40-01

502 20 65-02



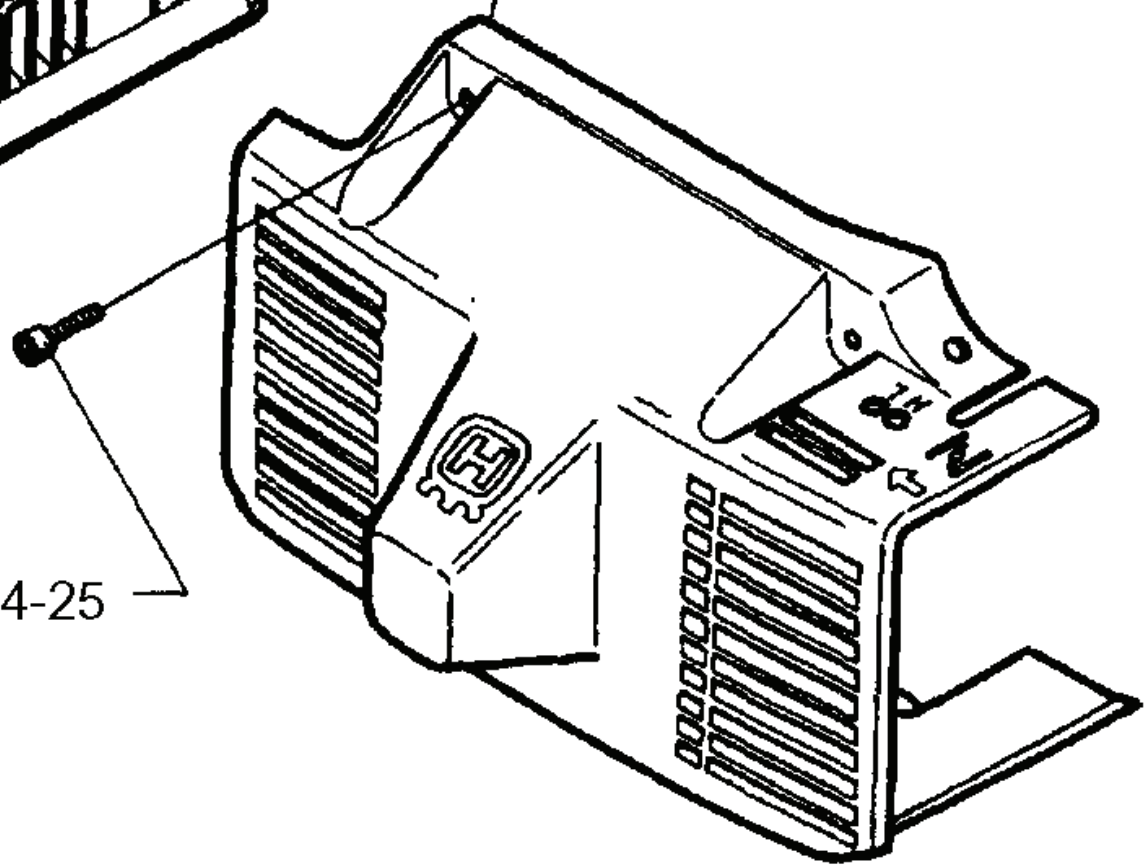
REF.	PART NO.	DESCRIPTION	REMARK	QTY.	KIT
503 28 15-08	503281508	CARBURETTOR		1	
503 28 15-10	503281510	CARBURETTOR	CARB.USA	1	
502 21 23-01	502212301	SUPPORT RING		1	
502 19 84-01	502198401	INLET PIPE		1	
731 23 14-01	731231401	HEXAGON NUT		1	
503 71 59-01	503715901	FILTER HOLDER		1	
503 21 07-47	503210747	SCREW IHSCFT		1	
502 20 65-02	502206502	SCREW EHHM		1	
502 20 40-01	502204001	KNOB		1	
503 71 60-01	503716001	FILTER COVER		1	
502 19 86-02	502198602	AIR FILTER		1	
503 81 16-01	503811601	GUIDE BUSHING		1	
503 71 63-01	503716301	CHOKE CONTROL		1	

**F**



503 77 14-01

503 78 86-01



503 21 44-25

---

REF.	PART NO.	DESCRIPTION	REMARK	QTY.	KIT
503 77 14-01	503771401	HEAT PROTECTOR		1	
503 78 86-01	503788601	CYLINDER COVER		1	
503 21 44-25	503214425	SCREW IHSCFTO		1	



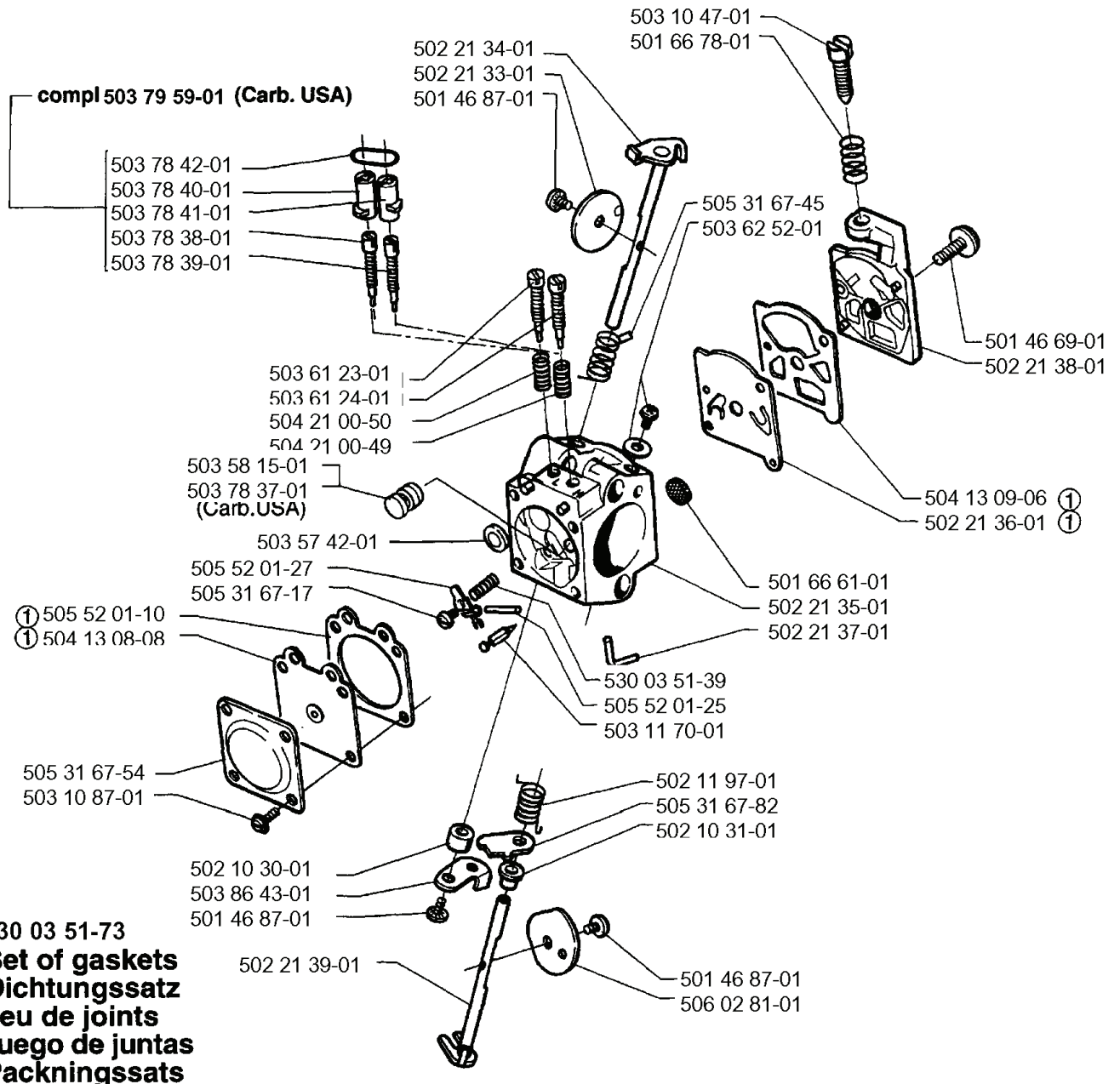
**M**

compl 503 28 15-08

compl 503 28 15-10

**Walbro WT 406**

**Walbro WT 421 (Carb. USA)**

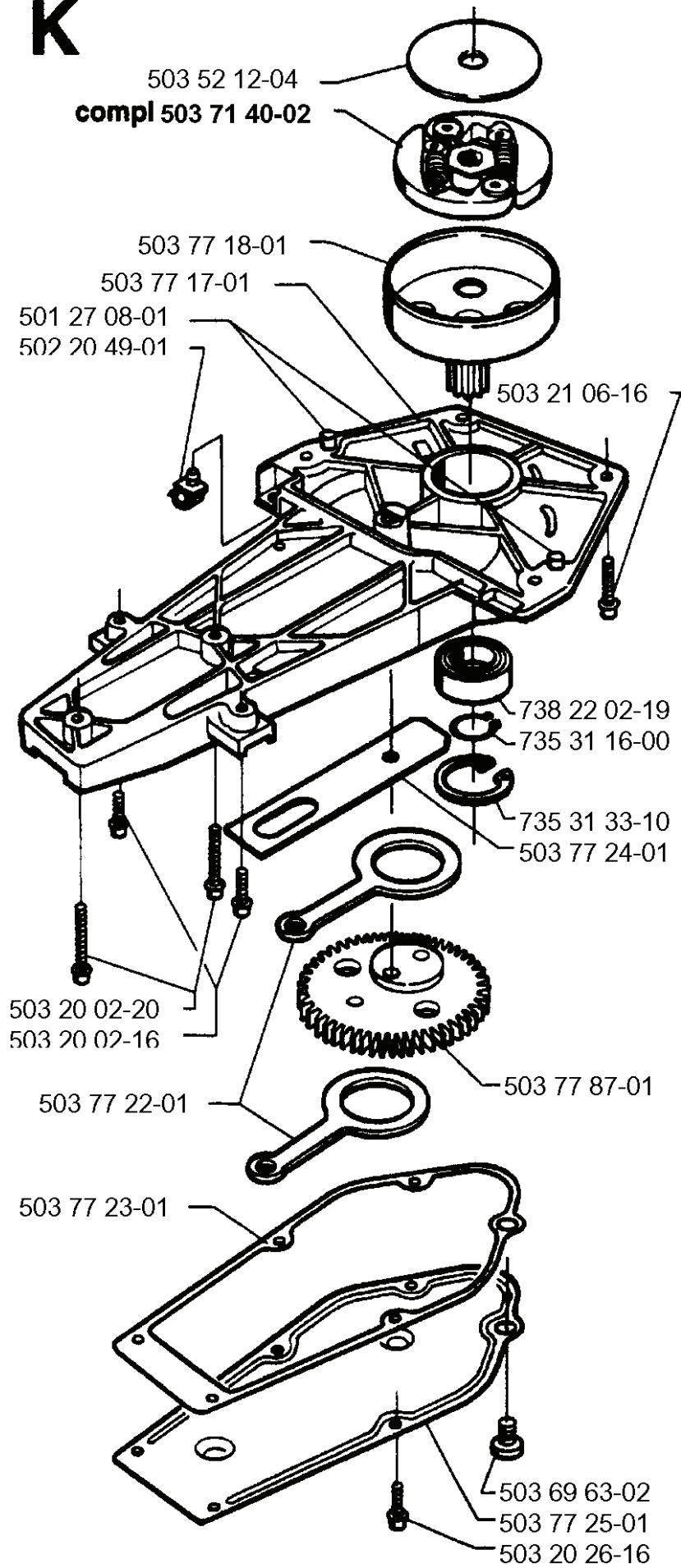


REF.	PART NO.	DESCRIPTION	REMARK	QTY.	KIT
503 28 15-08	503281508	CARBURETTOR		1	
503 28 15-10	503281510	CARBURETTOR		1	
503 79 59-01	503795901	NEEDLE	CARB. USA	1	
503 78 42-01	503784201	O-RING		1	
503 78 40-01	503784001	LIMITER CAP		1	
503 78 41-01	503784101	LIMITER CAP		1	
503 78 38-01	503783801	NEEDLE IDLE SPEED		1	
503 78 39-01	503783901	NEEDLE HIGH SPEED		1	
503 61 23-01	503612301	NEEDLE IDLE SPEED		1	
503 61 24-01	503612401	NEEDLE-HIGH SPEED		1	
504 21 00-50	504210050	SPRING		1	
504 21 00-49	504210049	SPRING		1	
503 58 15-01	503581501	NOZZLE ASSY		1	
503 78 37-01	503783701	NOZZLE ASSY	CARB.USA	1	
503 57 42-01	503574201	PLUG		1	
505 52 01-27	505520127	LEVER		1	
505 31 67-17	505316717	SCREW		1	
505 52 01-10	505520110	GASKET	530 03 51-73 SET OF GASKETS	1	
504 13 08-08	504130808	DIAPHRAGM	530 03 51-73 SET OF GASKETS	1	
505 31 67-54	505316754	LOCK STYRMEMBRAN		1	
503 10 87-01	503108701	SCREW		1	
502 10 30-01	502103001	DISTANCE		1	
503 86 43-01	503864301	LEVER		1	
502 21 39-01	502213901	SHAFT ASSY		1	
506 02 81-01	506028101	VALVE		1	
502 10 31-01	502103101	BUSHING		1	
505 31 67-82	505316782	LEVER		1	
502 11 97-01	502119701	RECOIL SPRING		1	
503 11 70-01	503117001	NEEDLE VALVE		1	
505 52 01-25	505520125	PIN		1	
530 03 51-39	530035139	SPRING		1	
502 21 37-01	502213701	FITTING		1	
502 21 35-01	502213501	SEAT INLET VALVE		1	
501 66 61-01	501666101	SCREEN		1	
502 21 36-01	502213601	DIAPHRAGM PUMP	530 03 51-73 SET OF GASKETS	1	
504 13 09-06	504130906	GASKET	530 03 51-73 SET OF GASKETS	1	
502 21 38-01	502213801	COVER		1	
501 46 69-01	501466901	SCREW		1	
503 62 52-01	503625201	SCREW ASSY		1	
505 31 67-45	505316745	SPRING		1	
501 66 78-01	501667801	SPRING		1	

---

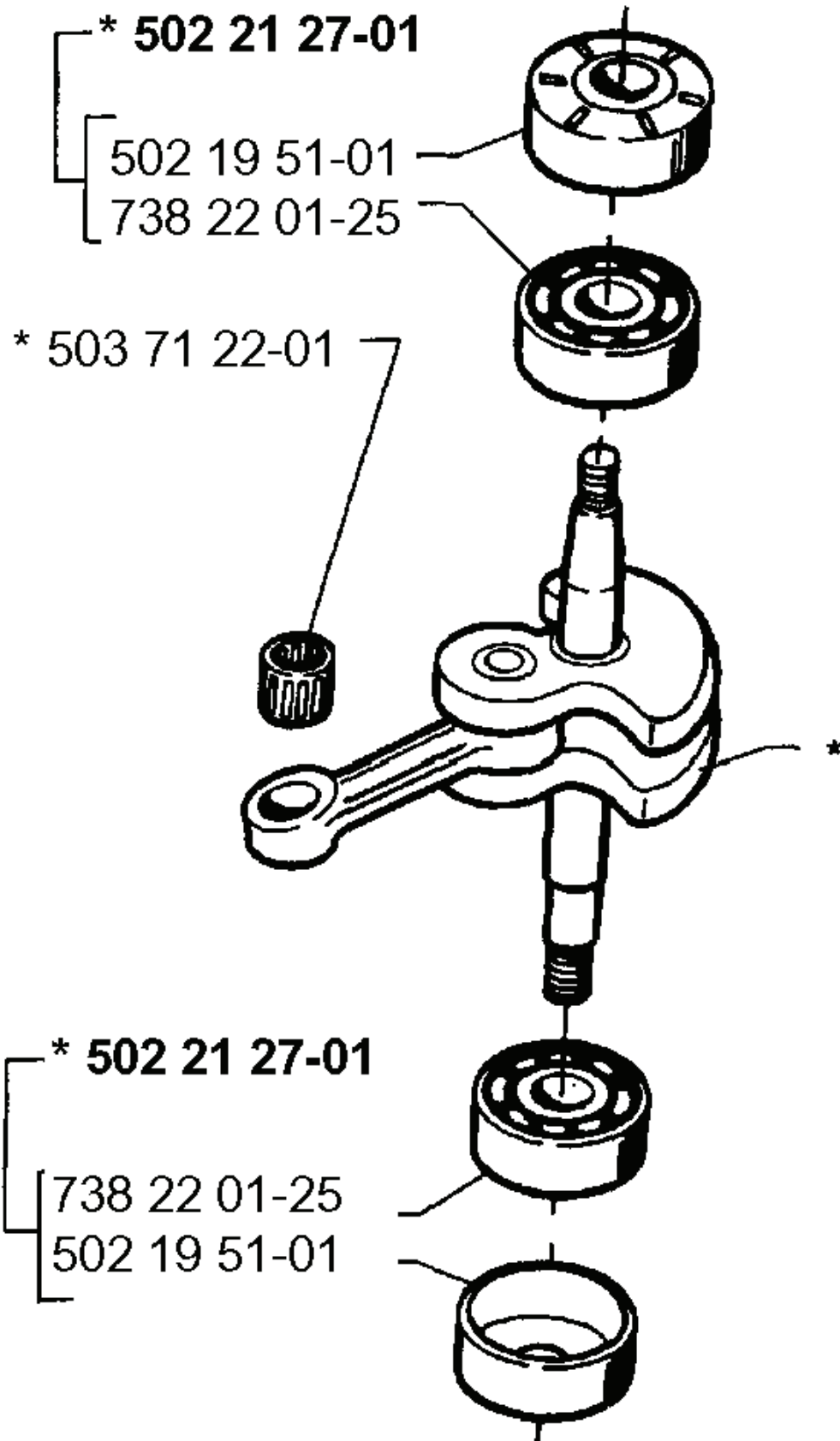
REF.	PART NO.	DESCRIPTION	REMARK	QTY.	KIT
503 10 47-01	503104701	SCREW		1	
501 46 87-01	501468701	SCREW		1	
502 21 33-01	502213301	VALVE THROTTLE		1	
502 21 34-01	502213401	SHAFT ASS THROTTLE		1	

# K



REF.	PART NO.	DESCRIPTION	REMARK	QTY.	KIT
503 52 12-04	503521204	WASHER		1	
503 71 40-02	503714002	CLUTCH ASSY		1	
503 77 18-01	503771801	CLUTCH DRUM ASSY		1	
503 77 17-01	503771701	GEAR HOUSING		1	
501 27 08-01	501270801	GUIDE BUSHING		1	
502 20 49-01	502204901	CLIP		1	
503 20 02-20	503200220	SCREW IHSCFM		1	
503 20 02-16	503200216	SCREW IHSCFM		1	
503 77 22-01	503772201	CONNECTING ROD		1	
503 77 23-01	503772301	GASKET		1	
503 20 26-16	503202616	SCREW IHSCM		1	
503 77 25-01	503772501	HUB CAP		1	
503 69 63-02	503696302	PLUG		1	
503 77 87-01	503778701	ECCENTRIC		1	
503 77 24-01	503772401	WEAR PROTECTION		1	
735 31 33-10	735313310	CIRCLIP		1	
735 31 16-00	735311600	CIRCLIP		1	
738 22 02-19	738220219	BALL BEARING		1	
503 21 06-16	503210616	SCREW IHST		1	

# C \*compl 503 72 44-01



---

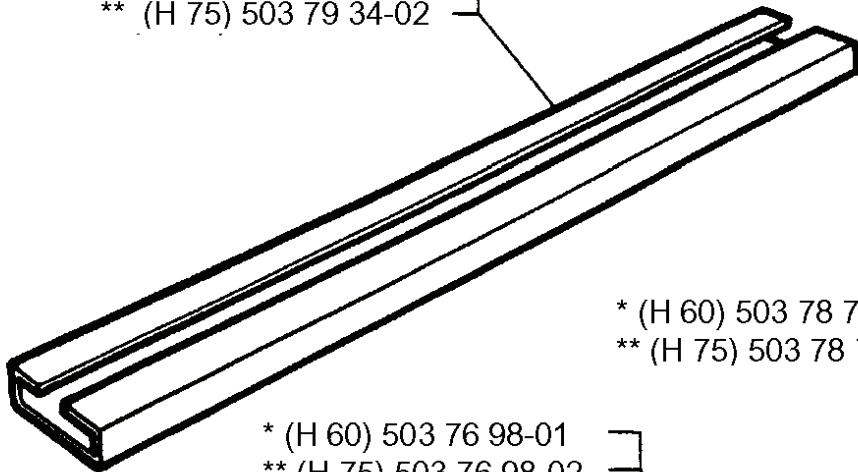
REF.	PART NO.	DESCRIPTION	REMARK	QTY.	KIT
503 72 44-01	503724401	CRANKSHAFT ASSY		1	
502 19 51-01	502195101	BEARING CAGE		1	
503 71 22-01	503712201	BEARING		1	
502 21 27-01	502212701	BEARING CAGE		1	
738 22 01-25	738220125	BALL BEARING		1	

**J**

**\*compl 503 79 38-01 (H 60)**

**\*\*compl 503 79 38-02 (H 75)**

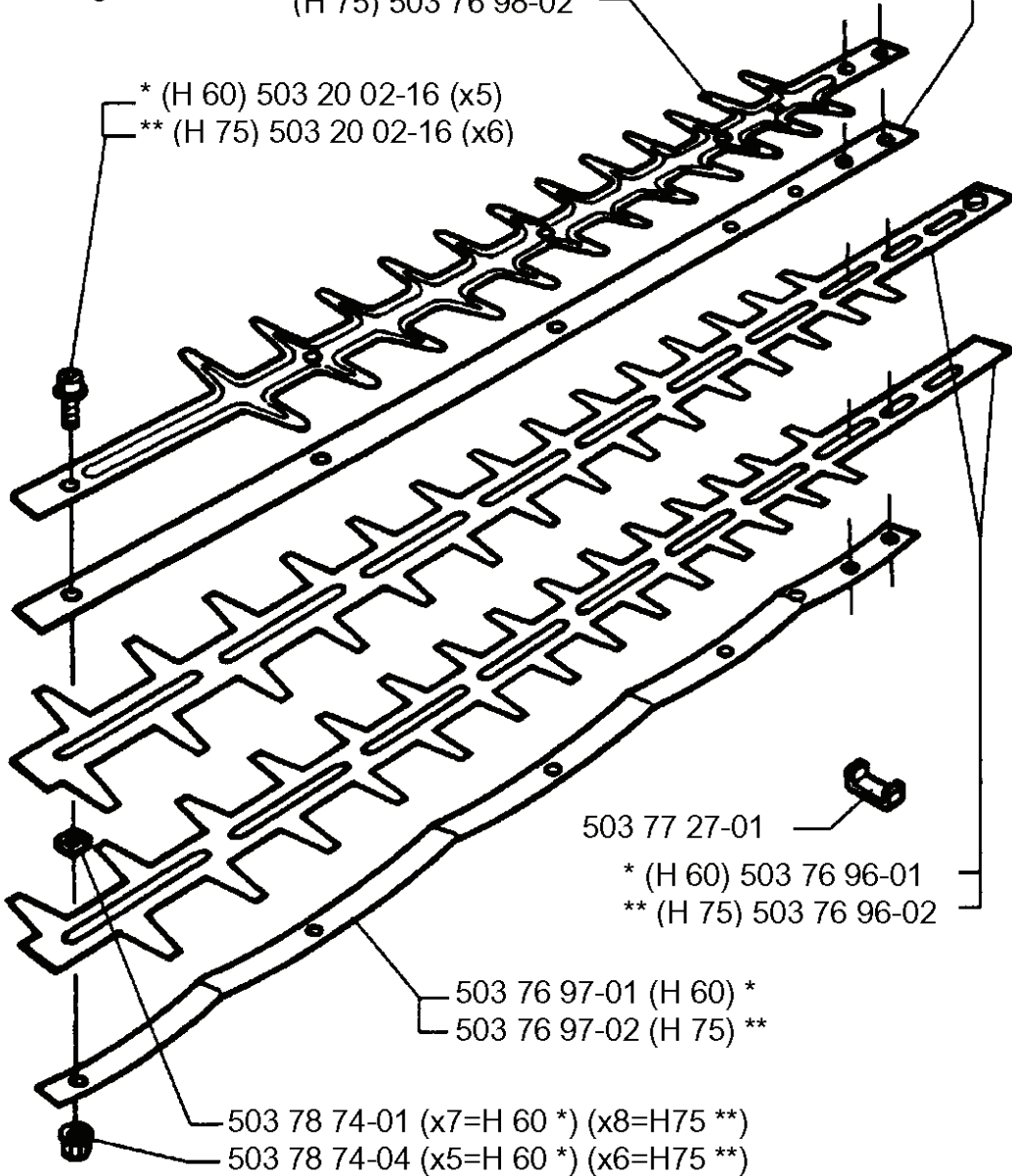
\* (H 60) 503 79 34-01  
\*\* (H 75) 503 79 34-02



\* (H 60) 503 78 73-01  
\*\* (H 75) 503 78 73-02

\* (H 60) 503 76 98-01  
\*\* (H 75) 503 76 98-02

\* (H 60) 503 20 02-16 (x5)  
\*\* (H 75) 503 20 02-16 (x6)



503 77 27-01  
\* (H 60) 503 76 96-01  
\*\* (H 75) 503 76 96-02

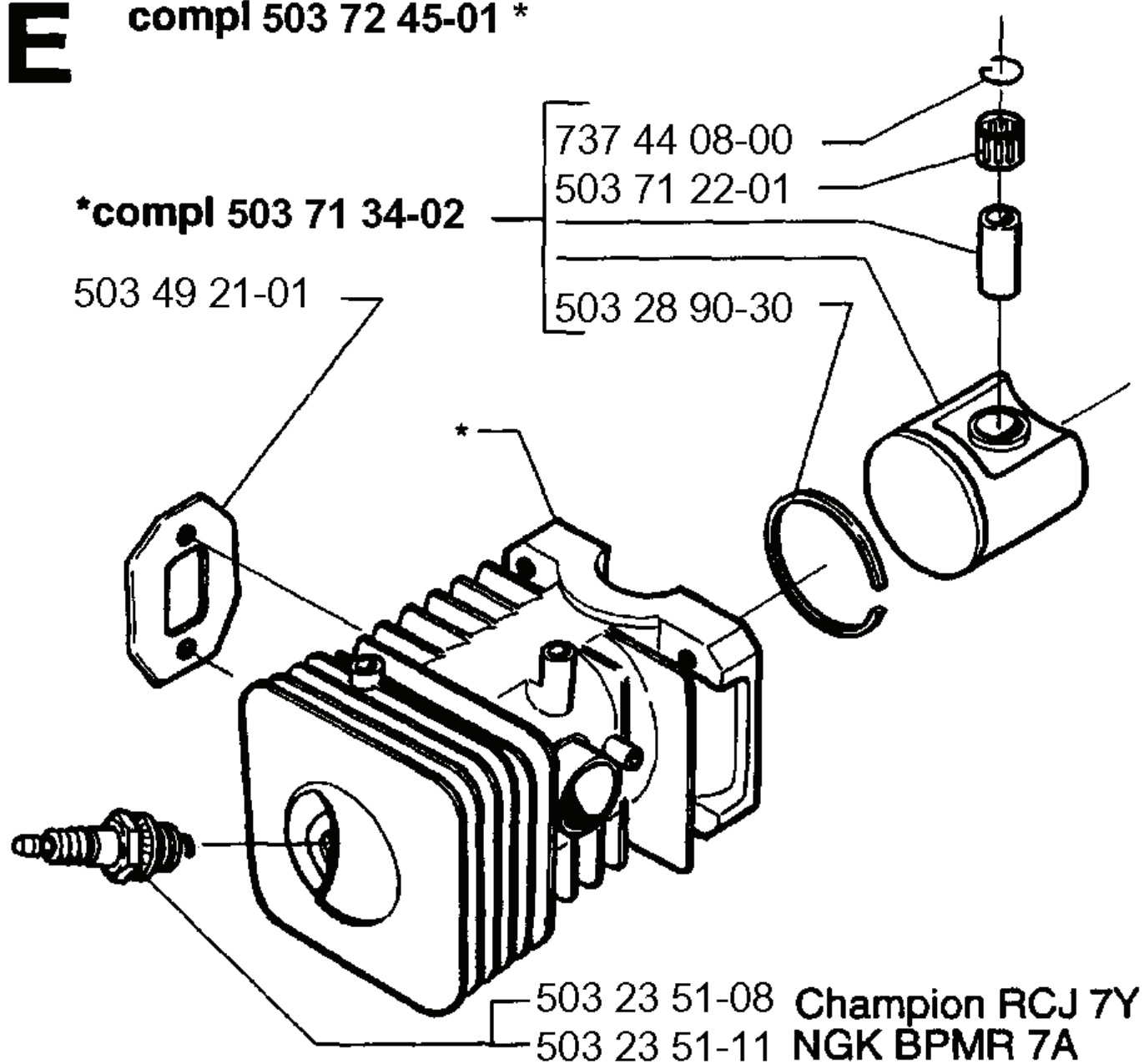
503 76 97-01 (H 60) \*  
503 76 97-02 (H 75) \*\*

503 78 74-01 (x7=H 60 \*) (x8=H75 \*\*)  
503 78 74-04 (x5=H 60 \*) (x6=H75 \*\*)



REF.	PART NO.	DESCRIPTION	REMARK	QTY.	KIT
503 79 38-01	503793801	CUTTING DECK	H 60	1	
503 79 38-02	503793802	CUTTING DECK	H 75	1	
503 79 34-01	503793401	PROTECTIVE COVER	H 60	1	
503 79 34-02	503793402	PROTECTIVE COVER	H 75	1	
503 76 98-01	503769801	PROTECTIVE PLATE	H 60	1	
503 76 98-02	503769802	PROTECTIVE PLATE	H 75	1	
503 20 02-16	503200216	SCREW IHSCFM	H 60	5	
503 78 74-01	503787401	SPACER	H 60	8	
503 78 74-04	503787404	NUT	H 60	5	
503 76 97-02	503769702	BASEPLATE	H 75	1	
503 76 97-01	503769701	BASEPLATE	H 60	1	
503 76 96-02	503769602	BLADE	H 75	1	
503 76 96-01	503769601	BLADE	H 60	1	
503 77 27-01	503772701	SEALING		1	
503 78 73-02	503787302	SPACER PLATE	H 75	1	
503 78 73-01	503787301	SPACER PLATE	H 60	1	

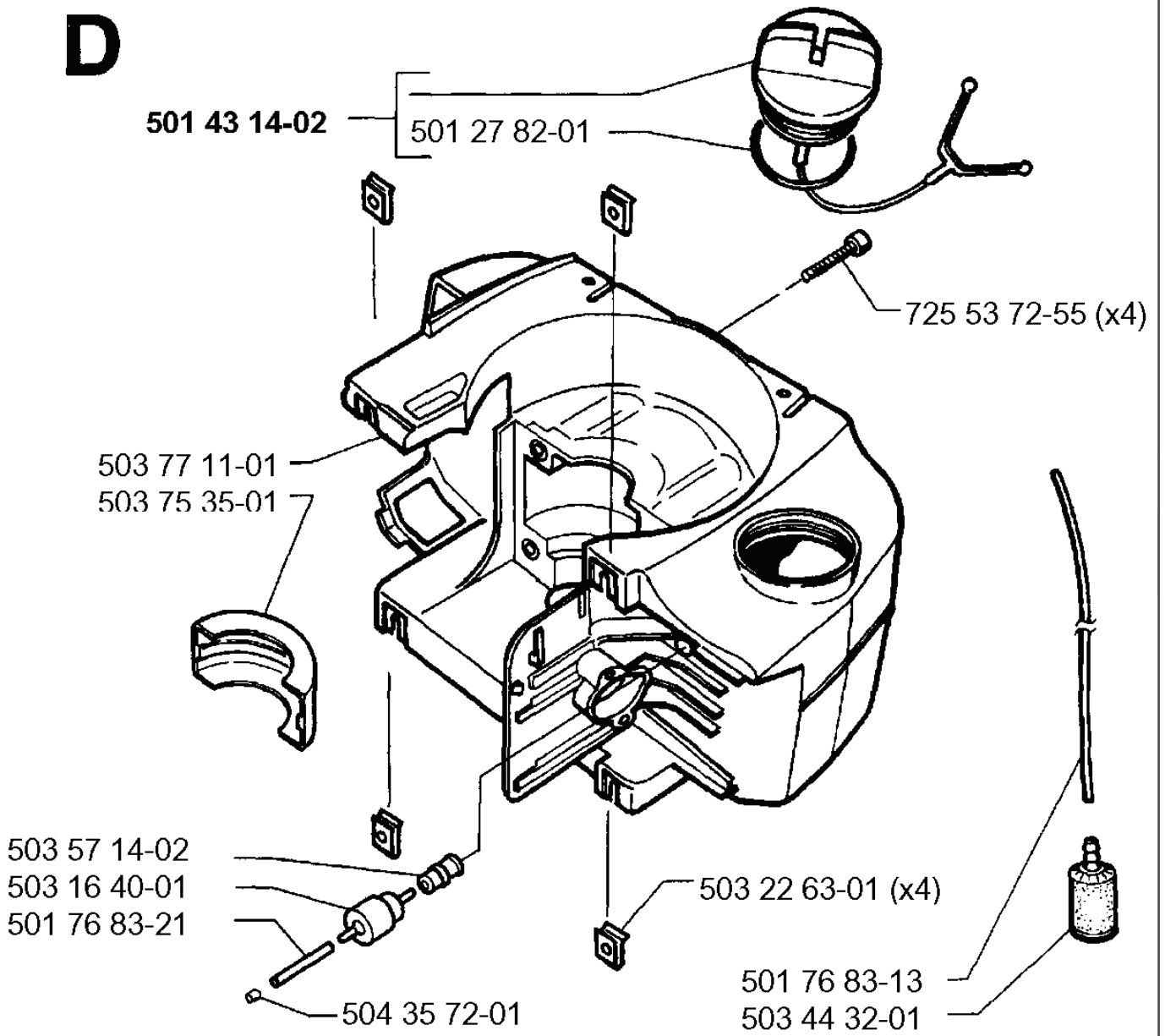
# E compl 503 72 45-01 \*



---

REF.	PART NO.	DESCRIPTION	REMARK	QTY.	KIT
503 72 45-01	503724501	PISTON		1	
503 71 34-02	503713402	PISTON ASSY		1	
503 49 21-01	503492101	GASKET MUFFLER		1	
503 23 51-08	503235108	SPARK PLUG	CHAMPION RCJ 7Y	1	
503 23 51-11	503235111	SPARK PLUG	NGK BPMR 7A	1	
503 28 90-30	503289030	PISTON RING		1	
503 71 22-01	503712201	BEARING		1	
737 44 08-00	737440800	CIRCLIP		1	

**D**

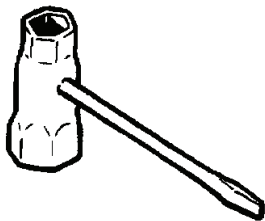


REF.	PART NO.	DESCRIPTION	REMARK	QTY.	KIT
501 27 82-01	501278201	GASKET		1	
501 43 14-02	501431402	TANK CAP ASSY		1	
503 77 11-01	503771101	CRANKCASE		1	
503 75 35-01	503753501	INSERT		1	
503 57 14-02	503571402	VENTILATING HOSE		1	
503 16 40-01	503164001	TANK VENT		1	
501 76 83-21	501768321	FUEL HOSE		1	
504 35 72-01	504357201	PLUG		1	
503 44 32-01	503443201	FUEL FILTER		1	
501 76 83-13	501768313	FUEL HOSE		1	
503 22 63-01	503226301	NUT QUICK-COUPLING		4	
725 53 72-55	725537255	SCREW IHSCM		4	

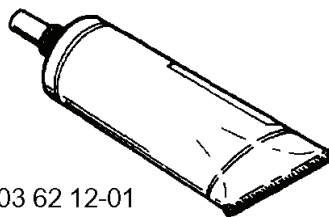
**N**

**Accessories  
Zubehöre  
Accessoires  
Acessorios  
Tillbehör**

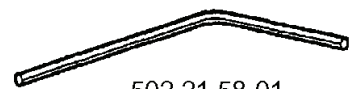
compl 502 21 60-09



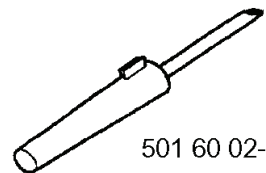
501 69 17-01



503 62 12-01



502 21 58-01



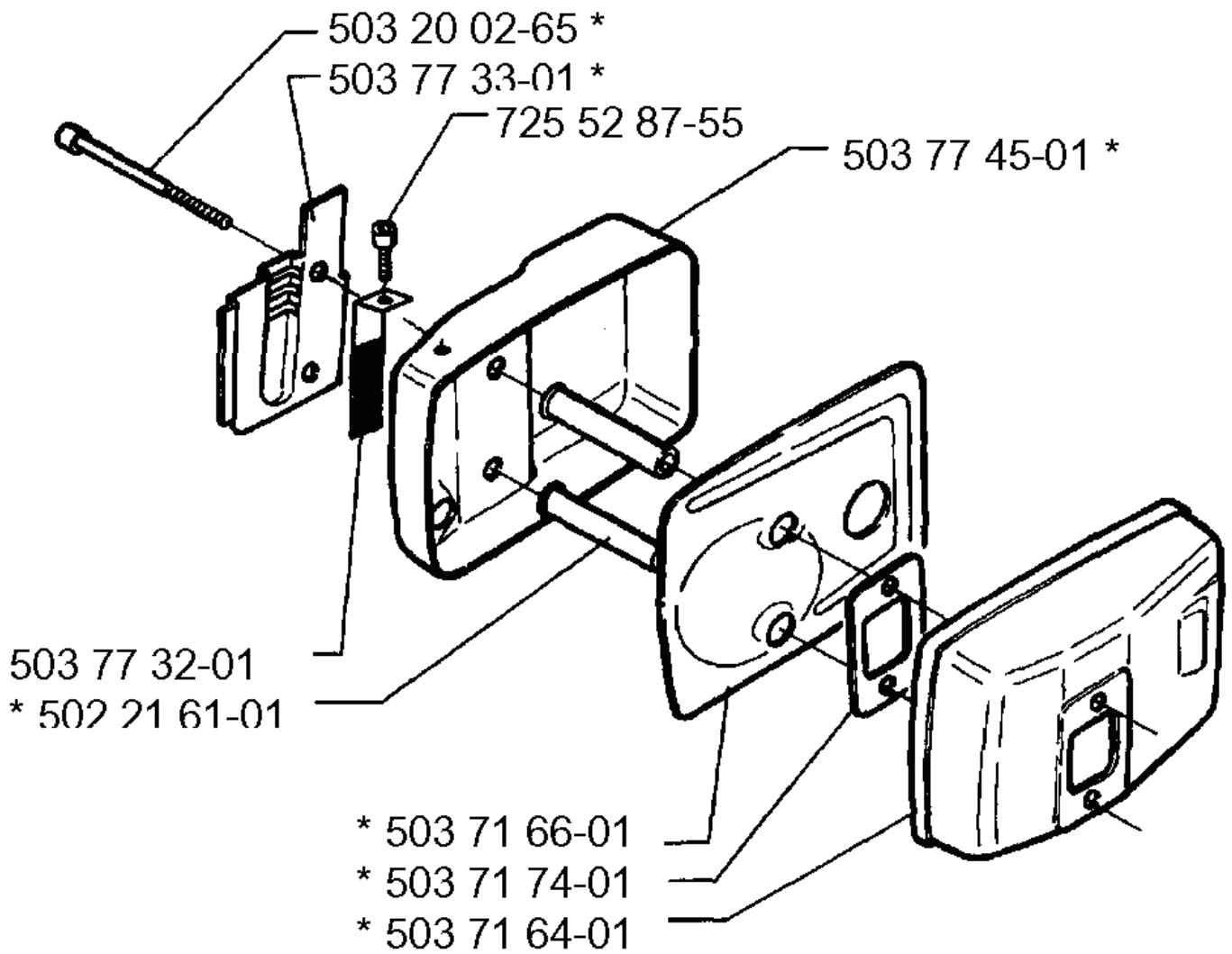
501 60 02-02

---

REF.	PART NO.	DESCRIPTION	REMARK	QTY.	KIT
502 21 60-09	502216009	ACCESSORY BAG		1	
501 69 17-01	501691701	COMBINATION WRENCH		1	
503 62 12-01	503621201	GREASE		1	
501 60 02-02	501600202	SCREWDRIVER		1	
502 21 58-01	502215801	WRENCH		1	

**A**

**\*compl 503 77 30-01**  
**compl 503 77 30-02**

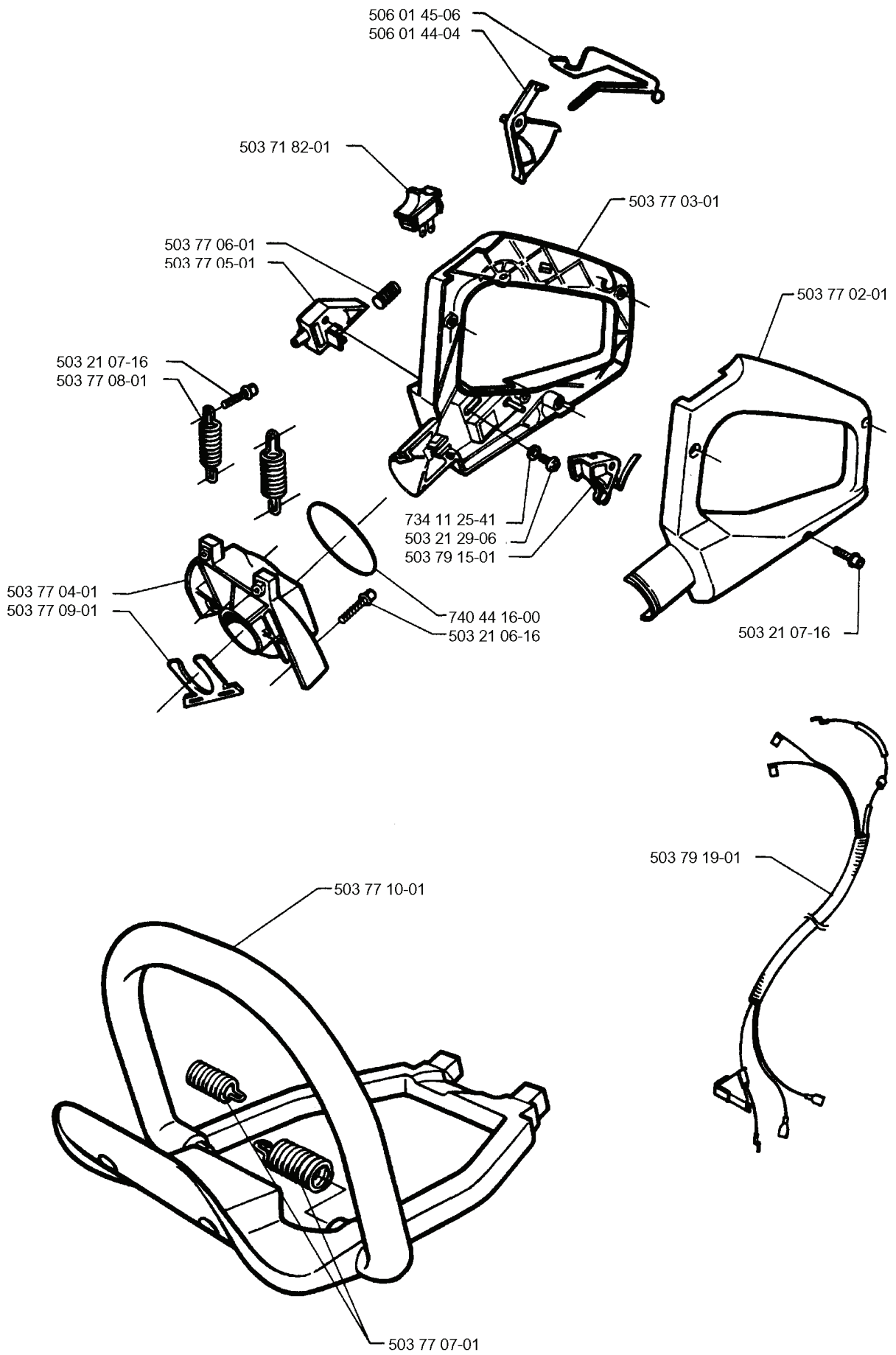




---

REF.	PART NO.	DESCRIPTION	REMARK	QTY.	KIT
503 77 30-01	503773001	MUFFLER ASSY		1	
503 77 30-02	503773002	MUFFLER ASSY		1	
503 20 02-65	503200265	SCREW IHSCFM		1	
503 77 33-01	503773301	EXHAUST DUCT		1	
503 77 32-01	503773201	SPARK ARRESTER		1	
502 21 61-01	502216101	SPACING TUBE		1	
503 71 66-01	503716601	BAFFLE PLATE		1	
503 71 74-01	503717401	REINFORCEMENT		1	
503 71 64-01	503716401	MUFFLER REAR HALF		1	
725 52 87-55	725528755	SCREW IHSCM		1	
503 77 45-01	503774501	MUFFLER FRONT HALF		1	

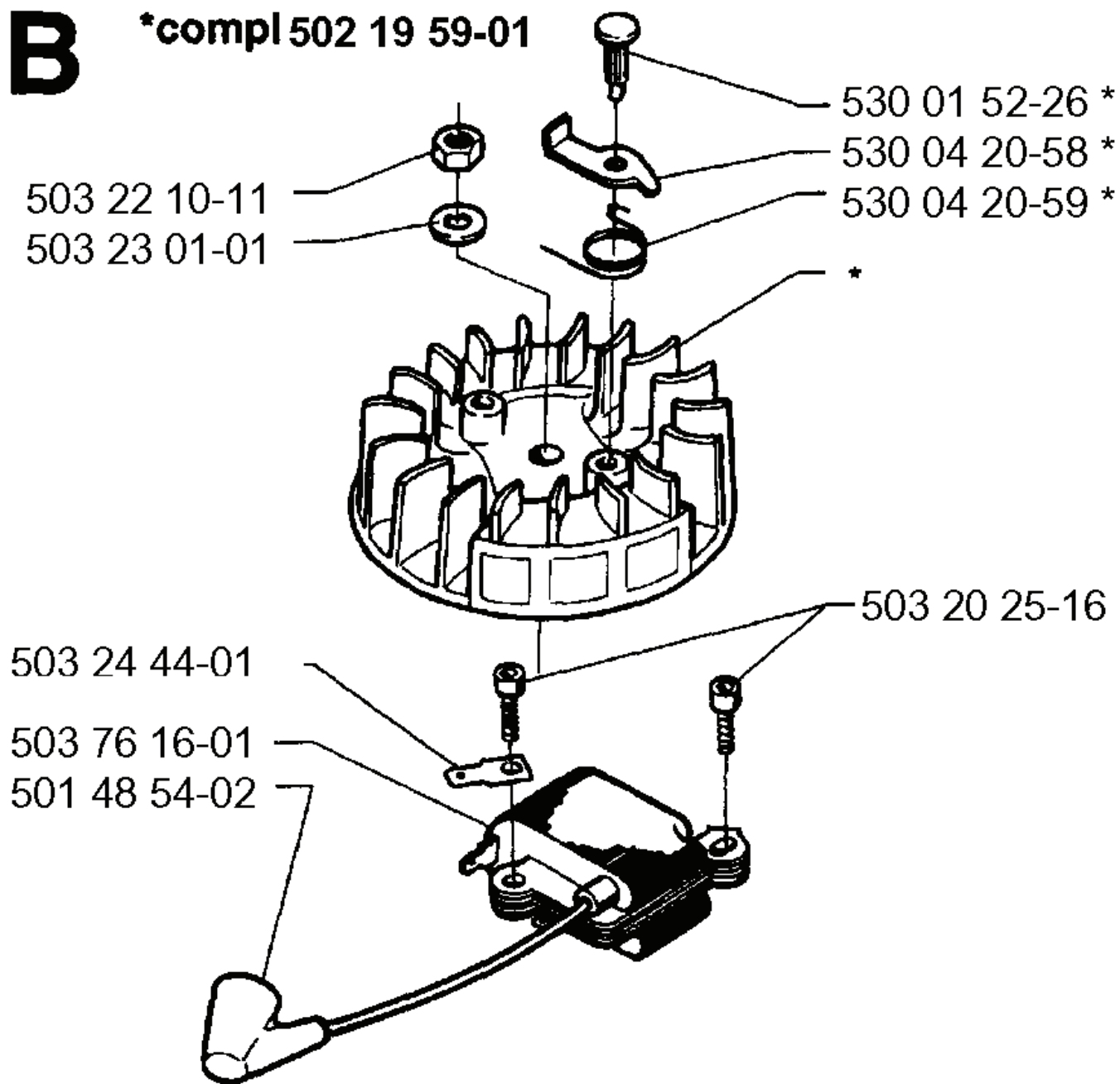
L



REF.	PART NO.	DESCRIPTION	REMARK	QTY.	KIT
506 01 45-06	506014506	THROTTLE LOCKOUT		1	
506 01 44-04	506014404	THROTTLE TRIGGER		1	
503 71 82-01	503718201	SWITCH		1	
503 77 06-01	503770601	RECOIL SPRING		1	
503 77 05-01	503770501	LOCKING BUTTON		1	
503 77 08-01	503770801	ANTIVIBRATION ELEMENT		1	
503 77 04-01	503770401	SPRING RETAINER		1	
503 77 09-01	503770901	SECURING PLATE		1	
503 77 10-01	503771001	FRONT HANDLE		1	
503 77 07-01	503770701	ANTIVIBRATION ELEMENT		1	
503 79 19-01	503791901	WIRING ASSY		1	
503 21 07-16	503210716	SCREW IHSCT		1	
503 21 06-16	503210616	SCREW IHSCT		1	
740 44 16-00	740441600	O-RING		1	
503 79 15-01	503791501	LATCH		1	
503 21 29-06	503212906	SCREW CCRPANT		1	
734 11 25-41	734112541	WASHER		1	
503 77 02-01	503770201	HANDLE HALF		1	
503 77 03-01	503770301	HANDLE HALF		1	

**B**

**\*compl 502 19 59-01**



---

REF.	PART NO.	DESCRIPTION	REMARK	QTY.	KIT
502 19 59-01	502195901	FLYWHEEL ASSY		1	
503 22 10-11	503221011	HEXAGON NUT		1	
503 23 01-01	503230101	WASHER		1	
503 24 44-01	503244401	FLAT PIN		1	
503 76 16-01	503761601	ELECTRONIC MODULE		1	
501 48 54-02	501485402	SPARK PLUG CAP		1	
503 20 25-16	503202516	SCREW IHSCM		1	
503 04 20-59	503042059			1	
503 04 20-58	503042058			1	
503 01 52-26	503015226			1	