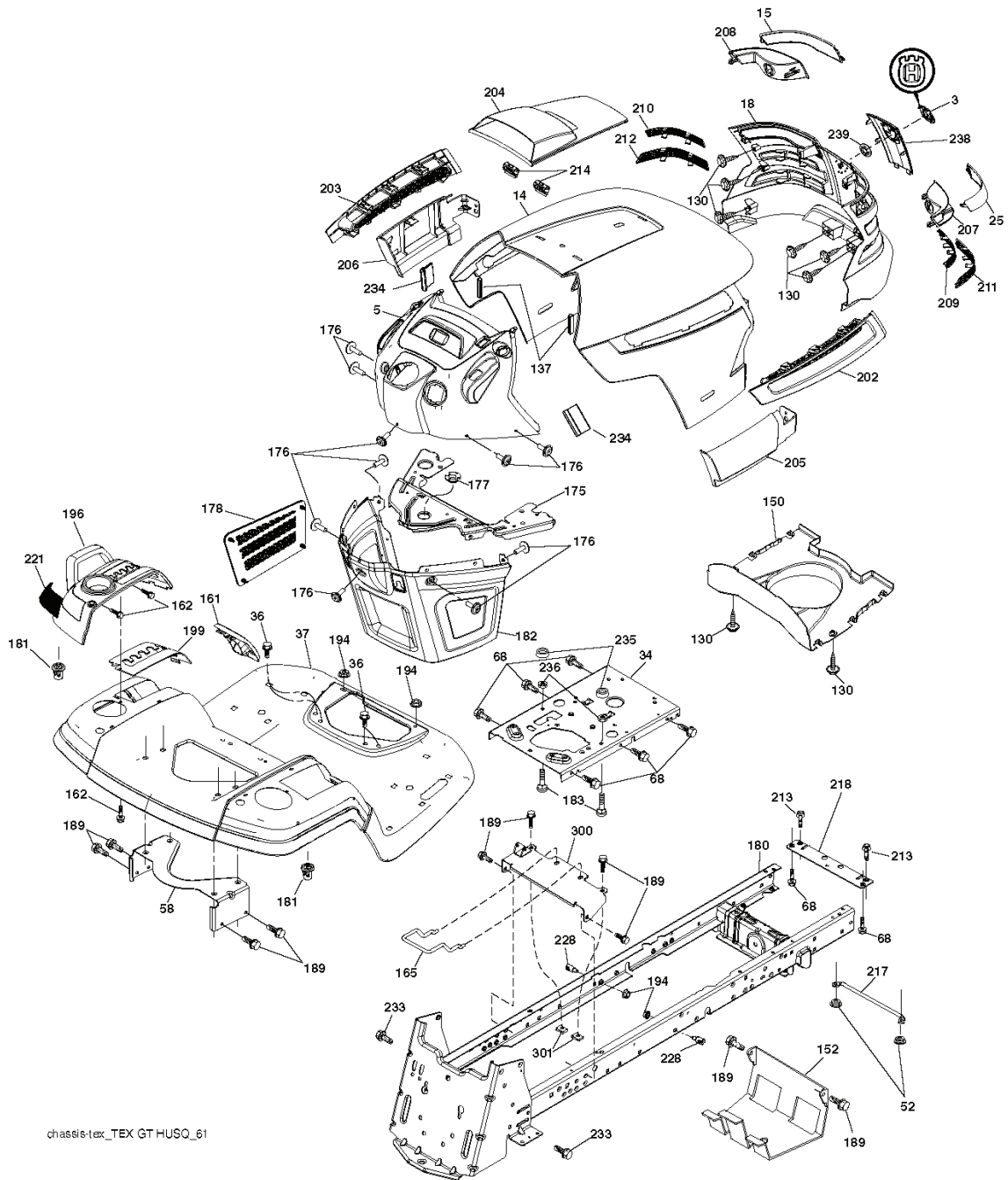


2354 GXLS, 96043006800, 2009-01

---

# **SPARE PARTS LIST**

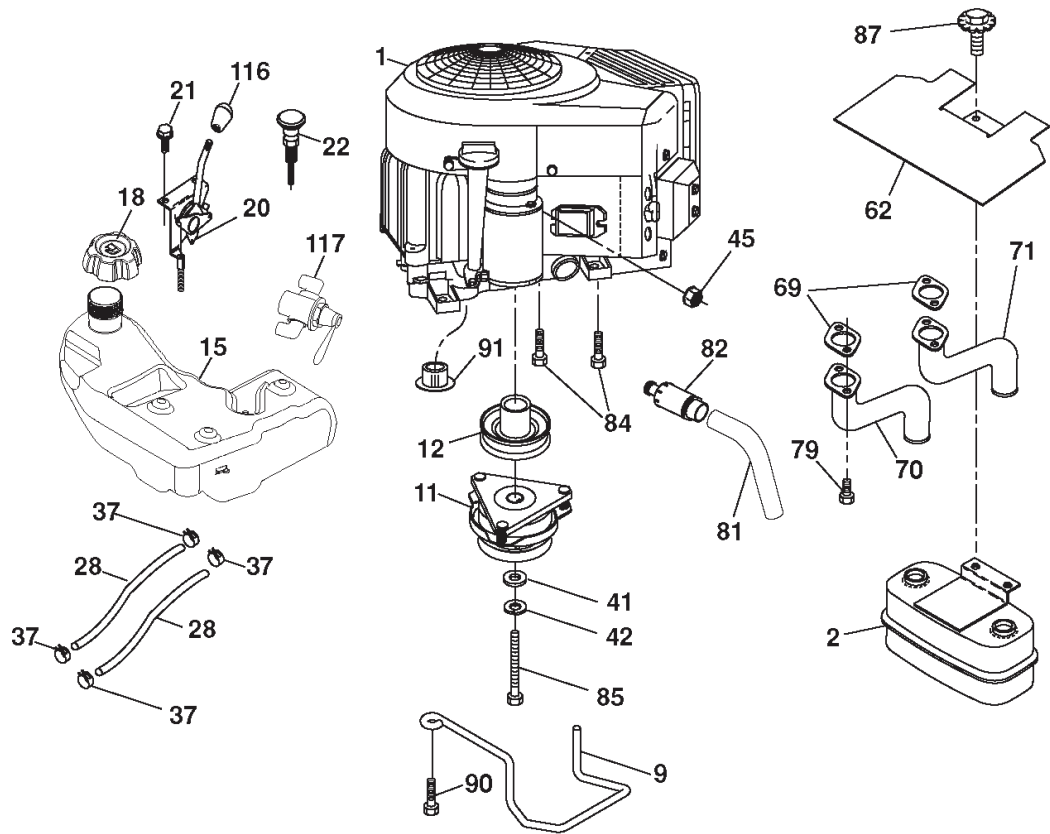
**TRACTOR - MODEL NO. 2354GXLS (96043006800), PRODUCT NO. 960 43 00-68  
CHASSIS**



chassis:tex\_TEX GT HUSQ\_61

REF.	PART NO.	DESCRIPTION	REMARK	QTY.	KIT
5	532418742	DASH		1	
14	532411046	HOOD		1	
15	532198907	LENS		1	
18	532408607	FRONT COVER		1	
25	532198906	LENS		1	
34	532196125	PLATE		1	
36	817060512	SCREW		1	
37	532401825	FENDER		1	
52	873680500	NUT		1	
58	532194314	BRACKET		1	
68	817490508	SCREW		1	
130	532416358	SCREW		1	
137	532407590	DAMPING PIECE		1	
150	532198512	BRACKET		1	
152	532199535	SHIELD		1	
161	532401826	CONSOLE		1	
162	532142432	SCREW		1	
165	532194330	SUPPORT		1	
175	532196304	SUPPORT		1	
176	532400776	SCREW		1	
177	532195227	BUSHING		1	
178	532199782	NET		1	
180	532195477	FRAME		1	
181	532403025	BUSHING		1	
182	532406859	DASH		1	
183	874780520	BOLT		1	
189	817000512	SCREW		1	
194	873900500	NUT		1	
196	532417778	CONSOLE		1	
199	532422637	PLATE		1	
202	532403048	LIST		1	
203	532403076	LIST		1	
204	532416613	COVER		1	
205	532401709	LIST		1	
206	532401711	LIST		1	
207	532197198	LENS		1	
208	532197199	LENS		1	
209	532199130	INSERT		1	
210	532199131	INSERT		1	
211	532199132	INSERT		1	
212	532199133	INSERT		1	
213	874760512	BOLT		1	
214	532199145	CLIP		1	
217	532409167	ROD		1	
218	532196395	PLATE		1	
221	532198909	LENS		1	
228	532195161	STUD		1	
233	532196539	BOLT		1	
234	532404742	DAMPING PIECE		1	
235	532406129	SPACER		1	
236	873930500	NUT		1	
238	532408606	PLATE		1	
239	532110452	NUT		1	
300	532419277	STRAPASM.		1	
301	532181156	NUT		1	
3	532405012	LOGOTYPE		1	

TRACTOR - MODEL NO. 2354GXLS (96043006800), PRODUCT NO. 960 43 00-68  
ENGINE

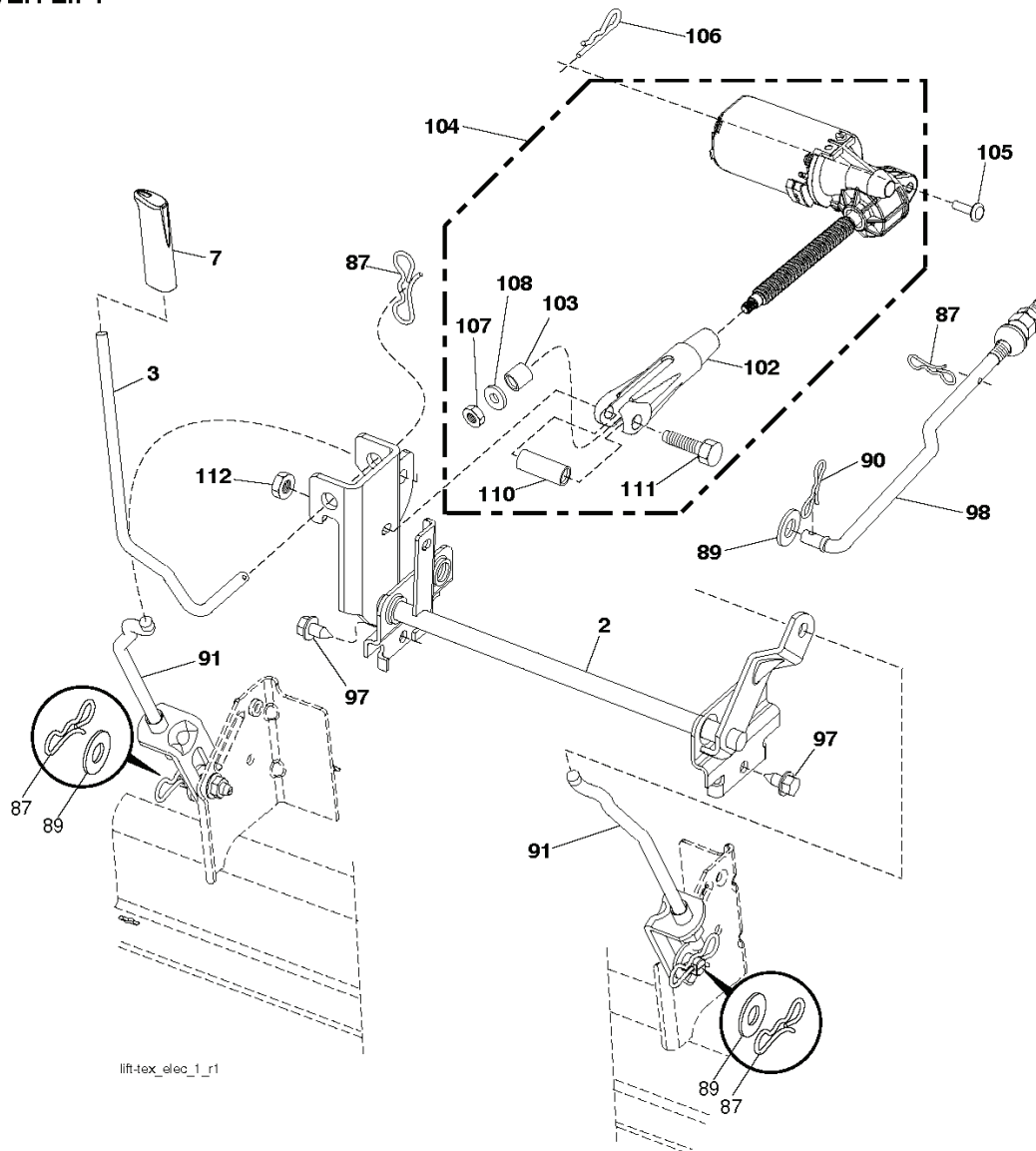


**SPARK ARRESTER KIT**

engine-tex\_bs-2cyl\_28

REF.	PART NO.	DESCRIPTION	REMARK	QTY.	KIT
1				1	
2	532149723	MUFFLER		1	
9	532194320	BELT GUIDE		1	
11	532179335	CLUTCH		1	
12	532194343	PULLEY		1	
15	532422804	TANK FUEL		1	
18	532194267	FUEL CAP		1	
20	532424341	CONTROL THROTTLE		1	
21	532416358	SCREW		1	
22	532191596	COMMA*RPLPAR 532187767428		1	
28	532401135	LINE.FUEL.64"REAR.EMIS		1	
29	532137180	SPARK ARRESTER KIT		1	
37	532123487	HOSE CLAMP		1	
41	532126197	WASHER		1	
42	810040700	WASHER		1	
45	873510400	NUT		1	
62	532146629	HEAT SHIELD		1	
69	532192442	GASKET.MUFFLER.#806237		1	
70	532191548	EXHAUST TUBE LH		1	
71	532191549	EXHAUST TUBE RH		1	
79	532192443	SCREW		1	
81	532148456	TUBE		1	
82	532181654	PLUG		1	
84	817060620	SCREW		1	
85	532179953	BOLT		1	
87	532198239	BOLT		1	
90	817000616	SCREW		1	
91	532187495	BUSHING		1	
116	532424659	KNOB SOFT TOUCH		1	
117	532420828	VALVE FUEL RESERVE		1	

**TRACTOR - MODEL NO. 2354GXLS (96043006800), PRODUCT NO. 960 43 00-68  
MOWER LIFT**



lift-tex\_elec\_1\_r1

KEY NO.	PART NO.	DESCRIPTION
2	532 19 52-23	Shaft Asm., Lift
3	532 41 94-96	Rod Indicator Lift Electric
7	532 41 94-44	Cap Indicator Lift Electric
87	532 19 42-09	Pin Cotter 7/16 Bow Tie Lock
89	819 19 19-12	Washer Clear Zinc
90	532 19 42-08	Pin Cotter 5/16 Bow Tie Lock
91	532 40 34-07	Link Asm. Lift Rear
97	817 00 06-12	Screw 3/8-16 x .75
98	532 19 52-64	Link Lift Susp. Front Mower
102	532 41 92-78	Clevis Motor Electric
103	532 42 01-90	Spacer Tubular

KEY NO.	PART NO.	DESCRIPTION
104	532 41 78-13	Actuator Decklift
105	532 12 68-75	Rivet Drilled 1/4 Dia.
106	532 12 47-88	Retainer Spring
107	873 72 04-00	Nut
108	819 09 10-16	Washer 9/32 x 5/8 x 16 Ga.
110	532 41 92-79	Spacer Clevis
111	874 49 05-40	Bolt Hex 5/16-18 x Gr. 5
112	873 90 05-00	Nut Lock Hex Flange 5/16-18

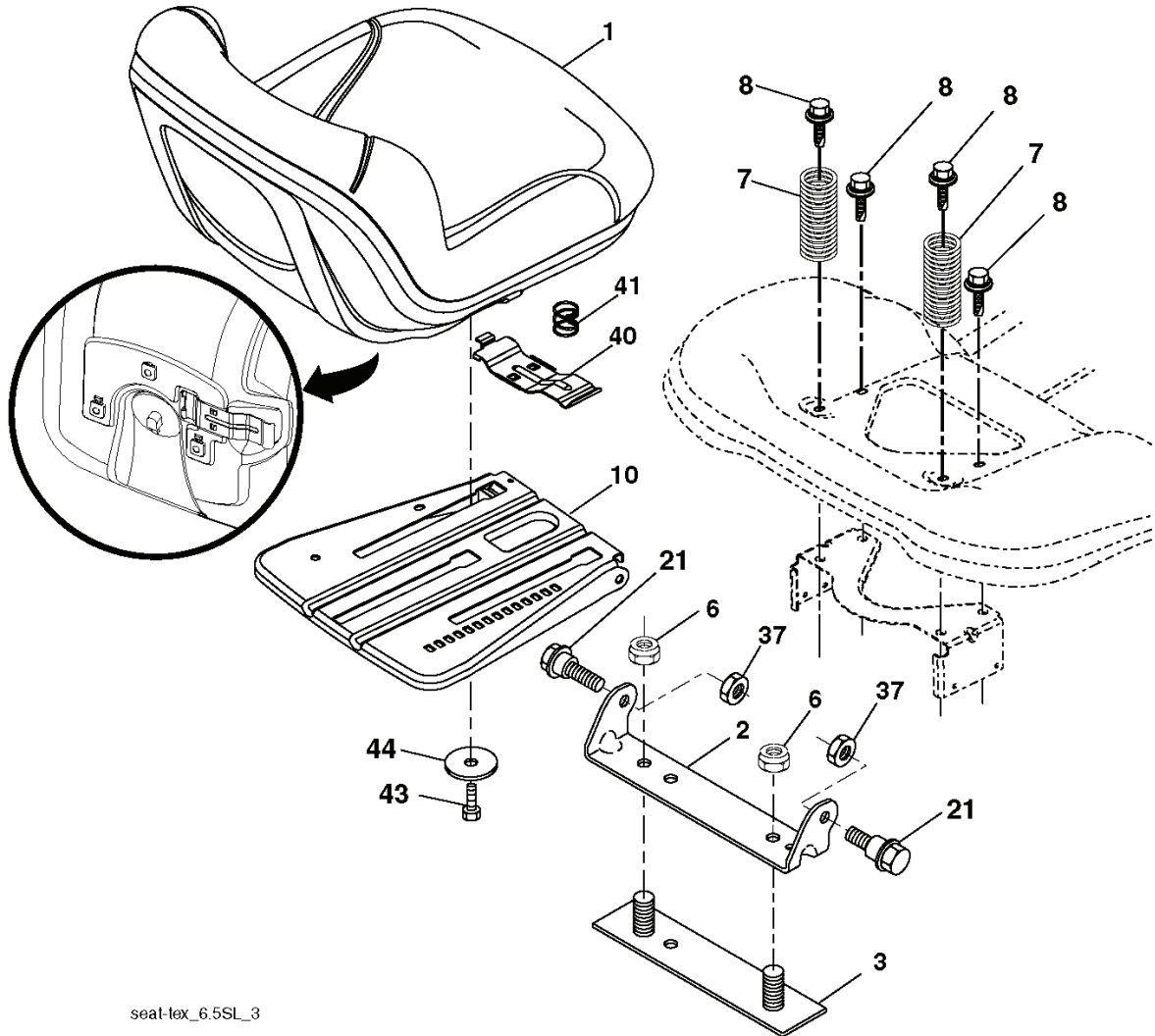
**NOTE:** All component dimensions given in U.S. inches  
1 inch = 25.4 mm

---

REF.	PART NO.	DESCRIPTION	REMARK	QTY.	KIT
2	532195223	SHAFT		1	
3	532419496	ROD INDICATOR		1	
7	532419444	CAPINDICATOR.LIFT.ELECT		1	
87	532194209	SPRING		1	
89	819191912	WASHER		1	
90	532194208	PIN		1	
91	532403407	LINK		1	
97	817000612	SCREW		1	
98	532195264	LINK		1	
102	532419278	CLEVIS		1	
103	532420190	SPACER.TUBULAR		1	
104	532417813	ACTUATOR		1	
105	532126875	RIVET		1	
106	532124788	RETAINER RING		1	
107	873720400	MUFFLER		1	
108	819091016	WASHER		1	
110	532419279	SPACER.CLEVIS		1	
111	874490540	BOLT		1	
112	873900500	NUT		1	



**TRACTOR - MODEL NO. 2354GXLS (96043006800), PRODUCT NO. 960 43 00-68  
SEAT ASSEMBLY**



seat-tex\_6.5SL\_3

KEY NO.	PART NO.	DESCRIPTION
1	532 42 40-73	Seat
2	532 18 01-66	Bracket Pivot Fender
3	532 14 06-75	Strap, Asm Fender
6	873 80 06-00	Nut, Lock w/Ins. 3/8-16 unc
7	532 12 41-81	Spring, Seat Cprsn
8	532 17 18-77	Bolt 5/16-18 unc x 3/4 w/Sems
10	532 19 69-77	Pan, Seat
21	532 17 18-52	Bolt, Shoulder 5/16-18

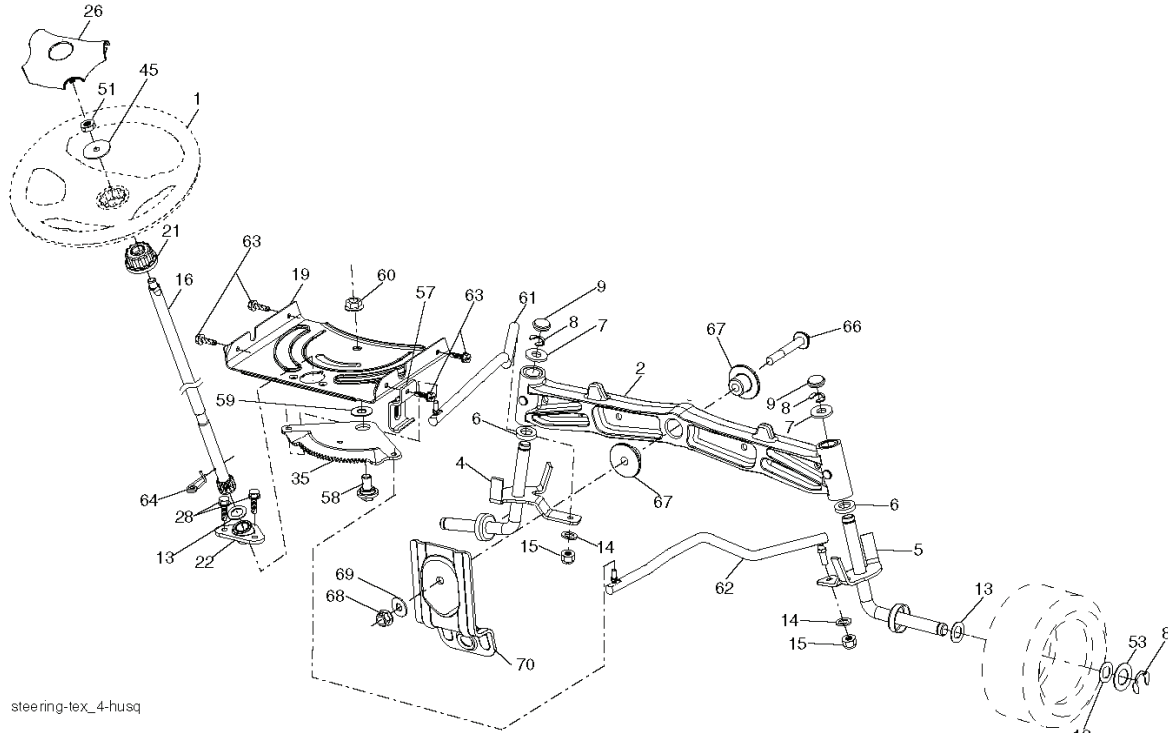
KEY NO.	PART NO.	DESCRIPTION
37	873 80 05-00	Nut, Lock 5/16-18 unc
40	532 42 59-19	Handle Slide Seat
41	532 19 82-00	Spring Latch Seat
43	874 76 06-12	Bolt Fin Hex 3/8-16 unc x 3/4
44	819 13 38-12	Washer 13/32 x 2-3/8 x 12 Ga.

**NOTE:** All component dimensions given in U.S. inches  
1 inch = 25.4 mm

---

REF.	PART NO.	DESCRIPTION	REMARK	QTY.	KIT
1	532424073	SEAT W/ARMREST		1	
2	532180166	BRACKET		1	
3	532140675	STRAP		1	
6	873800600	NUT		1	
7	532124181	SPRING		1	
8	532171877	BOLT		1	
10	532196977	PLATE		1	
21	532171852	BOLT		1	
37	873800500	LOCK NUT		1	
40	532425919	HANDLE		1	
41	532198200	SPRING		1	
43	874760612	BOLT		1	
44	819133812	WASHER		1	

**TRACTOR - MODEL NO. 2354GXLS (96043006800), PRODUCT NO. 960 43 00-68**  
**STEERING ASSEMBLY**



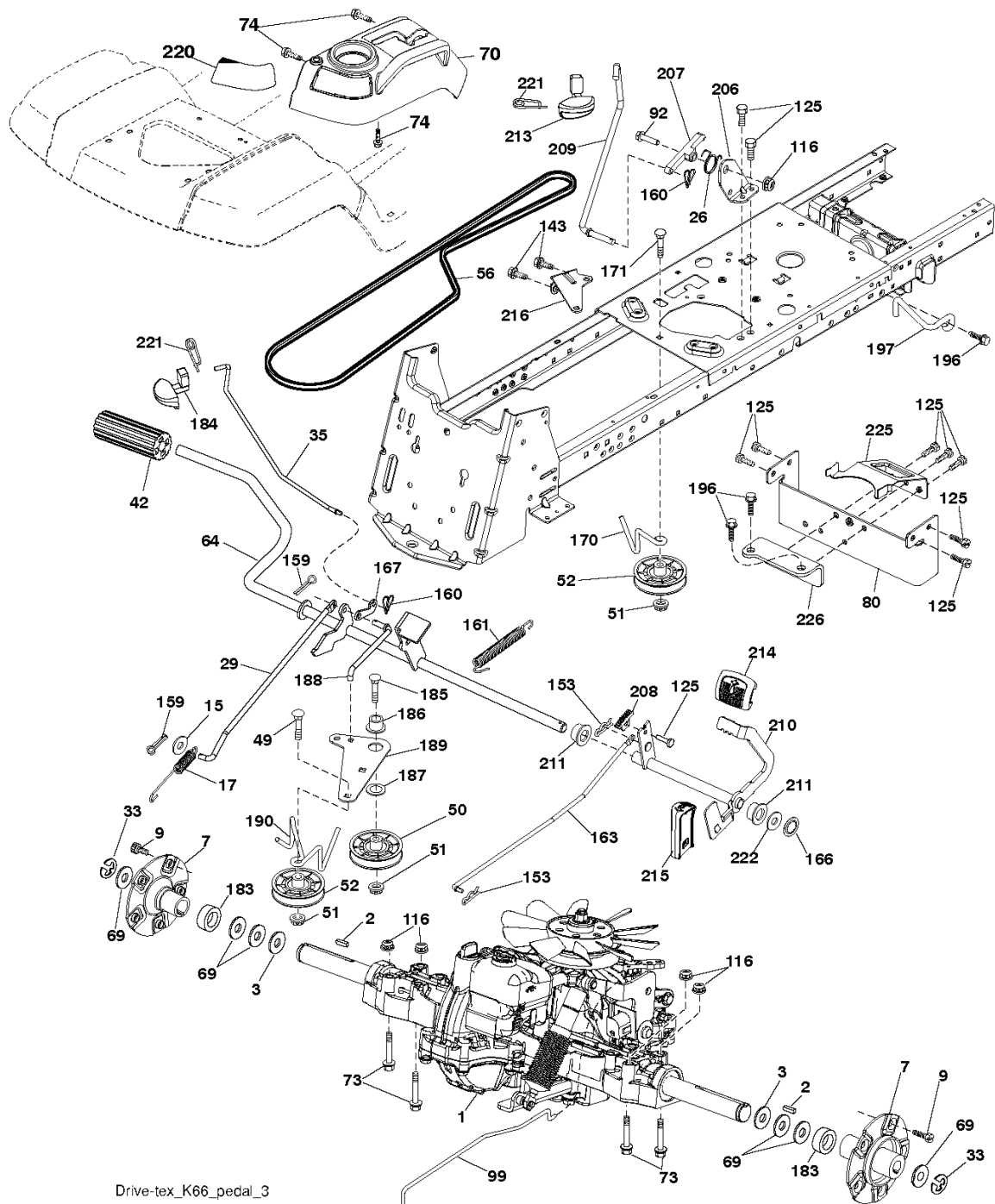
KEY NO.	PART NO.	DESCRIPTION
1	532 41 64-80	Wheel, Steering
2	532 19 59-68	Axle Asm., Front
4	532 40 30-89	Spindle Asm., LH
5	532 40 30-90	Spindle Asm., RH
6	532 12 49-31	Bearing, Race Thrust Harden
7	532 12 17-48	Washer 25/32 x 1-5/8 x 16 Ga.
8	812 00 00-29	Ring, Clip #T5304-75
9	532 12 12-32	Cap, Spindle
13	532 12 17-49	Washer 25/32 x 1-1/4 x 16 Ga.
14	810 04 06-00	Washer, Lock Hvy Hlcl Spr 3/8
15	873 54 06-00	Nut, Crown Lock 3/8-24 unf
16	532 40 82-19	Shaft Steering
19	532 19 47-29	Plate Steering
21	532 18 67-37	Adapter, Wheel Steering
22	532 19 48-45	Bushing, Strg. Blk
26	532 41 59-87	Insert, Wheel Steering
28	817 00 06-12	Screw 3/8-16 x 3/4
35	532 19 47-32	Gear, Sector Plate
45	819 18 38-12	Washer 9/16 x 2-3/8 x 12 Ga.

KEY NO.	PART NO.	DESCRIPTION
51	873 94 08-00	Nut Hex Jam Toplock 1/2-20 unf
53	532 18 89-67	Washer Hardened.793 x 1.637x.060
57	532 19 72-46	Bracket Upstop
58	532 19 47-47	Bolt Shoulder Sector Pivot CFM
59	532 19 47-48	Washer Thrust Sector Steering
60	873 97 10-00	Nut Flange Lock 5/8-11
61	532 19 47-40	Draglink, LH
62	532 19 47-41	Draglink, RH
63	817 00 05-12	Screw 5/16-18 x 3/4
64	532 19 98-49	Retainer Clip Spring Steering
66	871 02 07-48	Bolt Hex Fghd 7/16-14 x 3 Serr
67	532 19 47-37	Bushing PM Front Axle
68	873 90 07-00	Nut Lock Flange 7/16-14 Gr. 5
69	532 19 91-62	Washer 1.5 x .505 x 118
70	532 19 61-97	Bracket Deck Susp. Front

**NOTE:** All component dimensions given in U.S. inches  
 1 inch = 25.4 mm

REF.	PART NO.	DESCRIPTION	REMARK	QTY.	KIT
1	532416480	STEERING WHEEL		1	
2	532195968	SHAFT		1	
4	532403089	SPINDLE SHAFT		1	
5	532403090	SPINDLE SHAFT		1	
6	532124931	WASHER		1	
7	532121748	WASHER		1	
8	812000029	RETAINER RING		1	
9	532121232	HUB CAP		1	
13	532121749	WASHER		1	
14	810040600	WASHER		1	
15	873540600	NUT		1	
16	532408219	SHAFT		1	
19	532194729	PLATE		1	
21	532186737	ADAPTER		1	
22	532194845	BUSHING		1	
26	532415987	KNOB		1	
28	817000612	SCREW		1	
35	532194732	PLATE		1	
45	819183812	WASHER		1	
51	873940800	NUT		1	
53	532188967	WASHER		1	
57	532197246	BRACKET		1	
58	532194747	BOLT		1	
59	532194748	WASHER		1	
60	873971000	NUT		1	
61	532194740	LINK		1	
62	532194741	LINK		1	
63	817000512	SCREW		1	
64	532199849	SPRING RETAINER		1	
66	871020748	BOLT		1	
67	532194737	BUSHING		1	
68	873900700	NUT		1	
69	532199162	WASHER		1	
70	532196197	BRACKET		1	

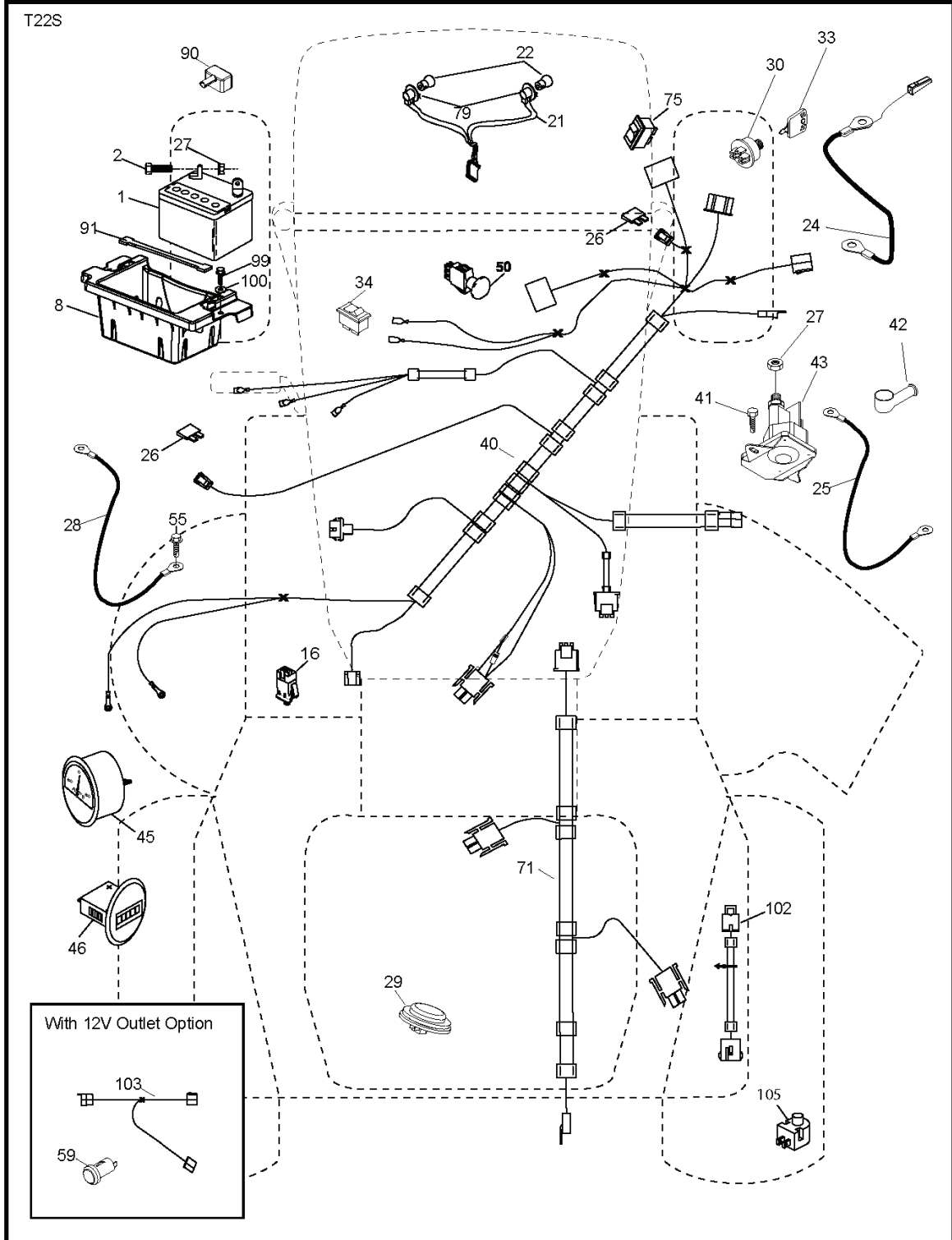
**TRACTOR - MODEL NO. 2354GXLS (96043006800), PRODUCT NO. 960 43 00-68  
DRIVE**



Drive-tex\_K66\_pedal\_3

REF.	PART NO.	DESCRIPTION	REMARK	QTY.	KIT
1	532426118	TRANSAXLE.K66Y.PEDAL.CONTROL		1	
2	532007070	KEY		1	
3	532007563	WASHER		1	
7	532199837	WHEEL		1	
9	532140080	BOLT		1	
15	819131316	WASHER		1	
17	532401072	SPRING		1	
26	532199679	SPRING		1	
29	532407245	ROD.BRAKE.K66	*SUBS/2*	1	
33	812000053	E-CLIP		1	
35	532199591	ROD		1	
42	532124872	PEDAL.RUBBER		1	
49	872110614	BOLT		1	
50	532194327	PULLEY		1	
51	873900600	NUT		1	
52	532194326	PULLEY		1	
56	532125907	BELT		1	
64	532197865	SHAFT		1	
69	532123800	WASHER		1	
70	532400530	PANEL		1	
73	874490544	SCREW		1	
74	532142432	SCREW		1	
80	532407182	STRAP.TORQUE.K66	*SUBS/2*	1	
92	874760520	BOLT		1	
99	532415744	ROD		1	
116	873900500	NUT		1	
125	817000512	SCREW		1	
143	817490508	SCREW		1	
153	532124788	RETAINER RING		1	
159	876020412	SPLIT PIN		1	
160	532169484	PIN		1	
161	532105709	SPRING		1	
163	532407246	ROD.PEDAL.CONTROL.K66.*SUBS/2*		1	
166	532197290	NUT		1	
167	532405257	LATCH		1	
170	532194322	KEEPER		1	
171	872110616	BOLT		1	
183	532197357	SPACER		1	
184	532403118	CONTROL		1	
185	872110622	BOLT		1	
186	532194321	SPACER		1	
187	819133210	WASHER		1	
188	532194323	LINK		1	
189	532194317	PLATE		1	
190	532194318	BELT GUIDE		1	
196	817000616	SCREW		1	
197	532199769	BRACKET		1	
206	532197867	BRACKET		1	
207	532197868	LATCH		1	
208	532197869	SUPPORT		1	
209	532199592	ROD		1	
210	532197860	ARM		1	
211	532120183	BEARING		1	
213	532403119	CONTROL		1	
214	532416863	PEDAL.FORWARD.HUSQVARNA.DEALER		1	
215	532401723	PEDAL		1	
216	532196131	BRACKET		1	
220	532198908	LENS		1	
221	532403187	SPRING		1	
222	879212010	WASHER		1	
225	532407311	KEEPER		1	
226	532407109	BRACKET		1	

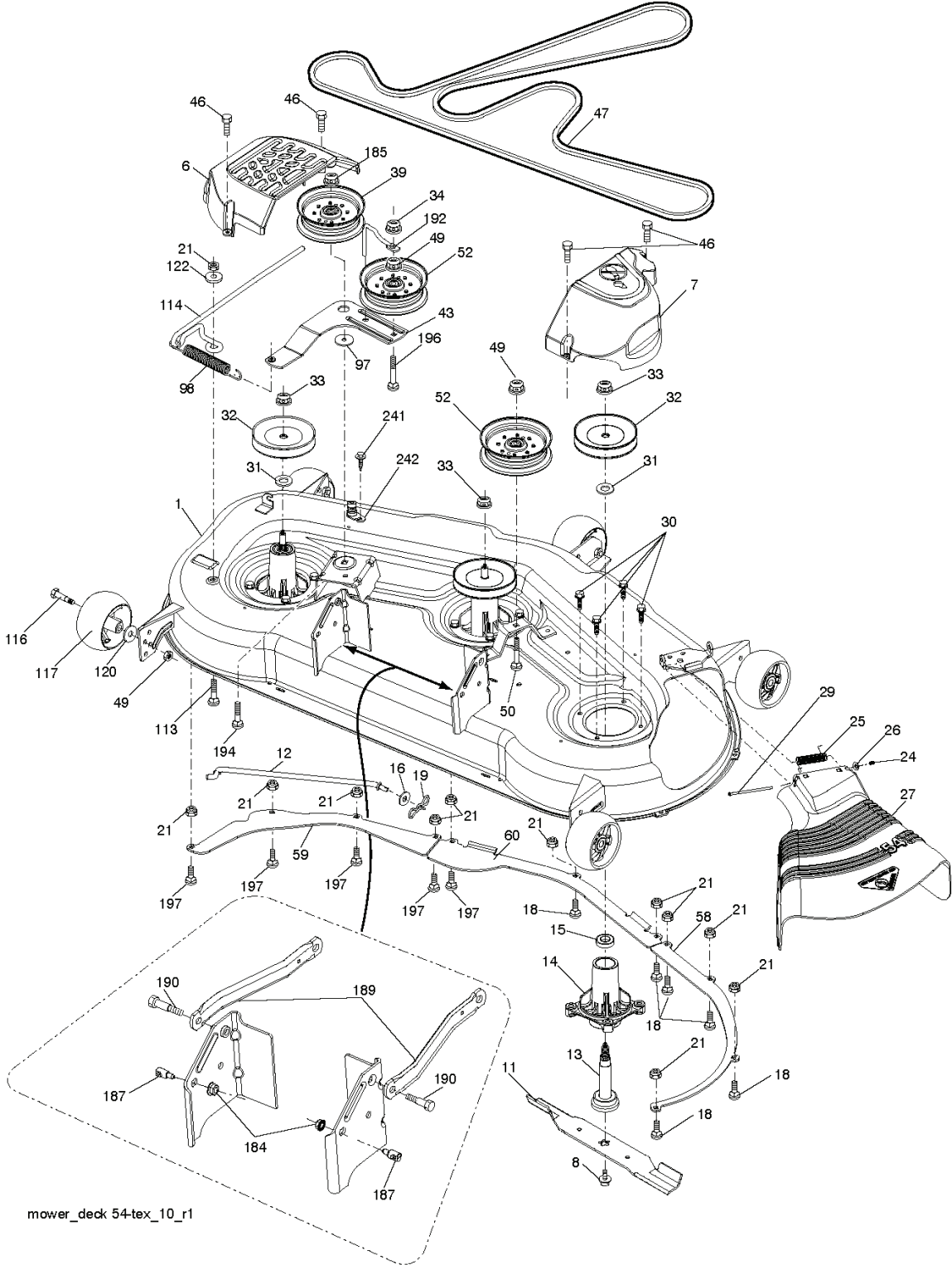
**TRACTOR - MODEL NO. 2354GXLS (96043006800), PRODUCT NO. 960 43 00-68  
ELECTRICAL**



REF.	PART NO.	DESCRIPTION	REMARK	QTY.	KIT
1	532163465	BATTERY		1	
2	874760412	BOLT		1	
8	532186491	BOX		1	
16	532176138	MICRO SWITCH		1	
21	532183759	HARNESS		1	
22	532004152	BULB		1	
24	532400253	CABLE		1	
25	532412895	CABLE.STARTER.6G.BL/RE*SUBS/2*		1	
26	532175158	FUSE		1	
27	873510400	NUT		1	
28	532145491	CABLE		1	
29	532401545	SWITCH		1	
30	532193350	IGNITION MODULE		1	
33	532411932	KEY		1	
34	532110712	SWITCH		1	
40	532419584	HARNESS		1	
41	817720408	SCREW		1	
42	532131563	COVER		1	
43	532192507	SOLENOID		1	
45	532425270	GAUGE		1	
46	532425271	GAUGE		1	
50	532174651	SWITCH		1	
55	817060512	SCREW		1	
59	532400303	OUTLET-12 VOLT		1	
71	532419583	HARNESS		1	
75	532417237	SWITCH.ROCKER.DECKLIFT		1	
79	532175242	HOLDER		1	
90	532400724	COVER		1	
91	532190270	STRAP BATTERY MOUNT FRO		1	
99	817670412	SCREW		1	
100	819091416	WASHER		1	
102	532404454	CABLE		1	
103	532421747	HARNESS		1	
105	532407568	SWITCH		1	



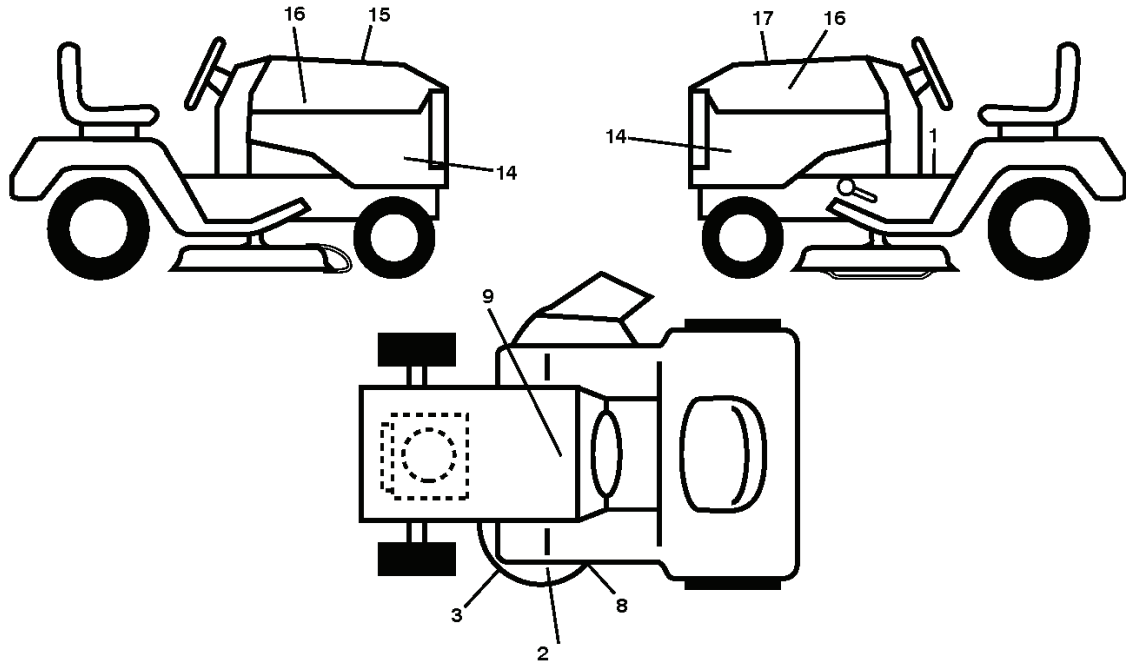
**TRACTOR - MODEL NO. 2354GXLS (96043006800), PRODUCT NO. 960 43 00-68  
MOWER DECK**



mower\_deck 54-tex\_10\_r1

REF.	PART NO.	DESCRIPTION	REMARK	QTY.	KIT
1	532418708	DECK.WLDMNT.W/TUBES.54"MS.422		1	
6	532196066	COVER		1	
7	532197181	COVER		1	
8	532193003	SCREW		1	
11	532187256	RIDE ON BLADE		1	
--	532187255	RIDE ON BLADE		1	
12	532400337	TIGE ANTI-ROULIS		1	
13	532187291	SHAFT		1	
14	532187281	BEARING HOUSING		1	
15	532110485	BEARING		1	
16	819131312	WASHER		1	
18	872140505	BOLT		1	
19	532194208	PIN		1	
21	873680500	NUT		1	
24	532105304	HUB CAP		1	
25	532178102	SPRING		1	
26	532110452	NUT		1	
27	532188938	DEFLECTOR		1	
29	532131491	SHAFT		1	
30	532173984	SCREW		1	
31	532187690	WASHER		1	
32	532153535	PULLEY		1	
33	532400234	NUT		1	
34	873680600	NUT		1	
39	532197380	PULLEY		1	
43	532196065	ARM		1	
46	532137729	SCREW		1	
47	532196103	BELT		1	
49	873900600	NUT		1	
50	872110616	BOLT		1	
52	532197379	PULLEY		1	
58	532187342	BAFFLE		1	
59	532187344	BAFFLE		1	
60	532187607	BAFFLE		1	
97	532178515	WASHER		1	
98	532196105	SPRING		1	
113	872110508	BOLT		1	
114	532187556	ROD TENSION RELIEF		1	
116	532193406	BOLT		1	
117	532174873	WHEEL		1	
120	819132012	WASHER		1	
122	532187557	BUSHING		1	
184	873900500	NUT		1	
185	873900700	NUT		1	
187	532195161	STUD		1	
189	532195185	ARM		1	
190	532196539	BOLT		1	
192	532198468	BELT GUIDE		1	
194	872140716	BOLT		1	
196	872140620	BOLT		1	
197	872140508	BOLT		1	
241	532152927	SCREW		1	
242	532415598	HOSE COUPLING		1	
--	532187292	MANDREL	"Mandrel Assembly (Includes housing, shaft assembly, and bearing only - pulley/nut/washer and blade bolt/washers not included)"	1	
--	532416405	COUPLING		1	
--	532418229	DECK ASSY		1	

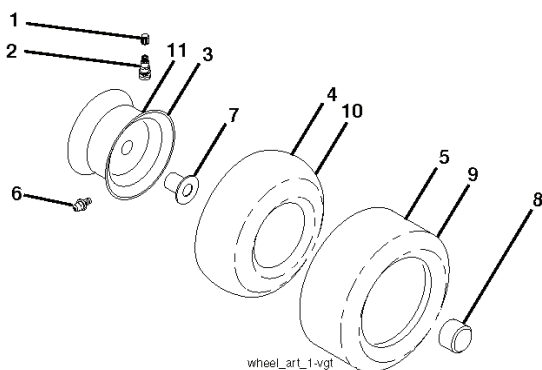
**TRACTOR - MODEL NO. 2354GXLS (96043006800), PRODUCT NO. 960 43 00-68  
DECALS**



KEY NO.	PART NO.	DESCRIPTION
1	532 41 16-58	Decal, Operator's
2	532 41 82-77	Decal, Deck Airinduct
3	532 17 05-63	Decal, Warning
8	532 19 87-85	Decal, Mower Sch.
9	532 14 50-05	Decal, Battery Dnge/Poi
14	532 42 56-66	Decal, Panel Side
15	532 42 38-29	Decal, Cust. Resp.

KEY NO.	PART NO.	DESCRIPTION
16	532 42 47-89	Decal, Emblem Hood
17	532 42 55-47	Decal, Replacement
--	532 16 69-60	Decal, Bypass
--	532 40 17-71	Pad, Footrest, LH
--	532 40 37-73	Pad, Footrest, RH

**WHEELS AND TIRES**



KEY NO.	PART NO.	DESCRIPTION
1	532 05 91-92	Cap, Valve, Tire
2	532 06 51-39	Stem, Valve
3	532 18 18-39	Rim Assembly, Front
4	532 00 81-34	Tube, Front (Service Item Only)
5	532 16 10-24	Tire, Front
6	532 12 49-57	Fitting, Grease (Front Wheel Only)
7	532 12 49-59	Bearing, Flange (Front Wheel Only)
8	532 17 50-39	Cap, Axle (Front Wheel Only)
9	532 18 25-26	Tire, Rear
10	532 00 71-54	Tube, Rear (Service Item Only)
11	532 14 45-10	Rim Assembly, Rear
12	532 12 48-60	Fitting, Grease
--	532 14 43-34	Sealant, Tire (10 oz. Tube)

**NOTE:** All component dimensions given in U.S. inches  
1 inch = 25.4 mm

REF.	PART NO.	DESCRIPTION	REMARK	QTY.	KIT
1	532411658	DECAL		1	
1	532059192	CAP VALVE		1	
2	532418277	DECAL		1	
2	532065139	NIPPLE		1	
3	532170563	DECAL:"DANGER"		1	
3	532181839	RIM ASSY		1	
8	532198785	LABEL		1	
4	532008134	HOSE	(Service Item Only)	1	
9	532145005	DECAL		1	
5	532161024	TIRE FRONT		1	
14	532425666	DECAL		1	
6	532124957	FITTING	(Front Wheel Only)	1	
15	532423829	DECAL		1	
7	532124959	BEARING	(Front Wheel Only)	1	
16	532424789	DECAL		1	
8	532175039	HUB CAP		1	
17	532425547	DECAL		1	
9	532182526	TIRE.TM.24X12-12		1	
--	532166960	DECAL		1	
10	532007154	HOSE		1	
--	532401771	FOOTREST		1	
11	532144510	WHEEL		1	
--	532403773	FOOTREST		1	
12	532124860	GREASE		1	
--	532144334	SEALING FOAM	(10 oz. Tube)	1	