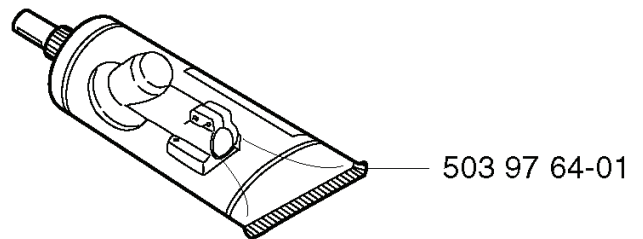


265 RX EPA, 20023100001-20145199999

---

# **SPARE PARTS LIST**

**T** Levereras endast som reservdel  
Delivery as spare part only  
Nur als Ersatzteil lieferbar  
Livrabable seulement comme pièce de rechange  
Solo como repuesto

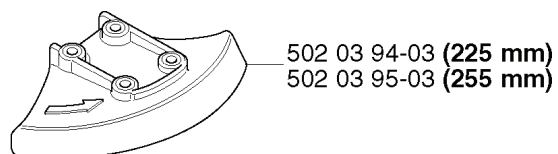
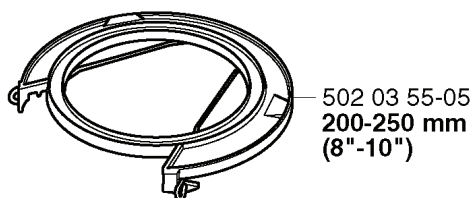
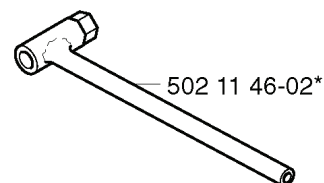
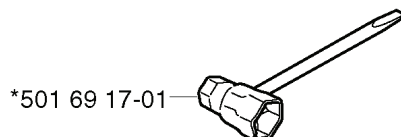
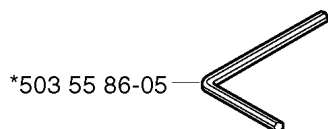
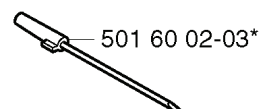
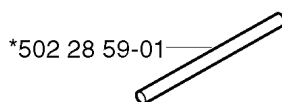
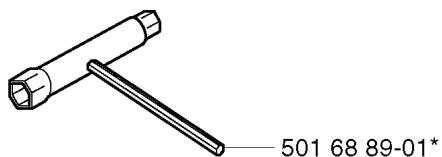
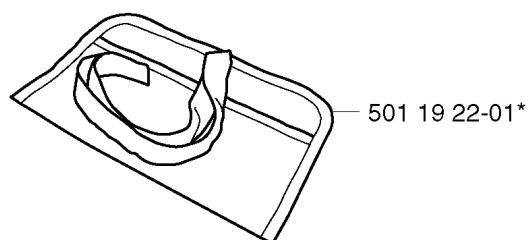


---

REF.	PART NO.	DESCRIPTION	REMARK	QTY.	KIT
5039764-01	503976401	GREASE		1	

**S** Tillbehör  
Accessories  
Zubehöre  
Accessoires  
Accesorios

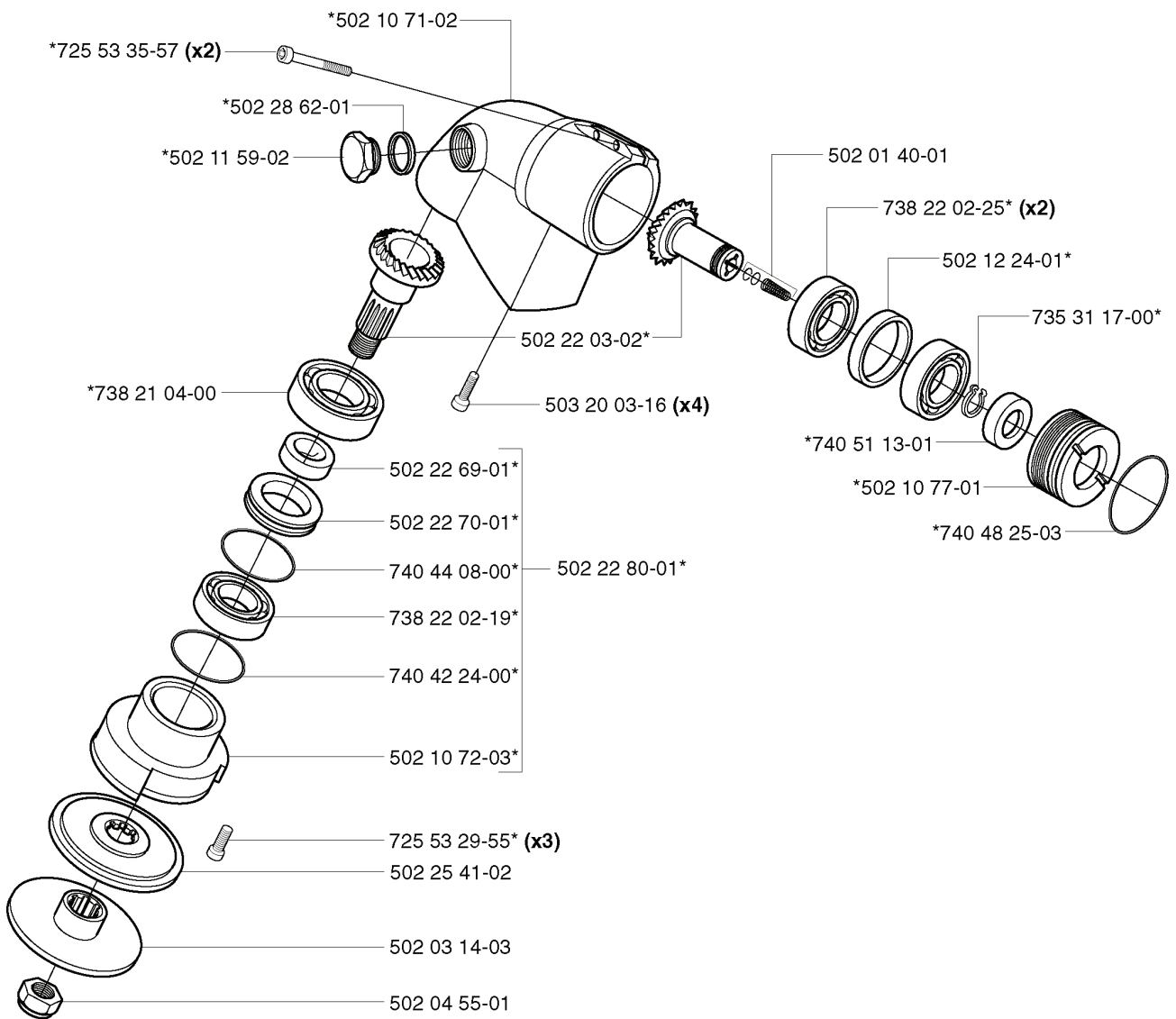
\*compl 502 21 60-12



---

REF.	PART NO.	DESCRIPTION	REMARK	QTY.	KIT
502 21 60-12	502216012	ACCESSORY BAG		1	
503 55 86-05	503558605	SPANNER		1	
502 03 55-05	502035505	TRANSPORT GUARD	200-250 MM (8)	1	
501 69 17-01	501691701	COMBINATION WRENCH		1	
501 68 89-01	501688901	COMBINATION WRENCH		1	
502 28 59-01	502285901	STOP		1	
502 03 95-03	502039503	SAW BLADE GUARD	255 MM	1	
502 03 94-03	502039403	SAW BLADE GUARD	225 MM	1	
502 11 46-02	502114602	SOCKET WRENCH		1	
501 60 02-03	501600203	SCREWDRIVER		1	
501 19 22-01	501192201	TOOL		1	

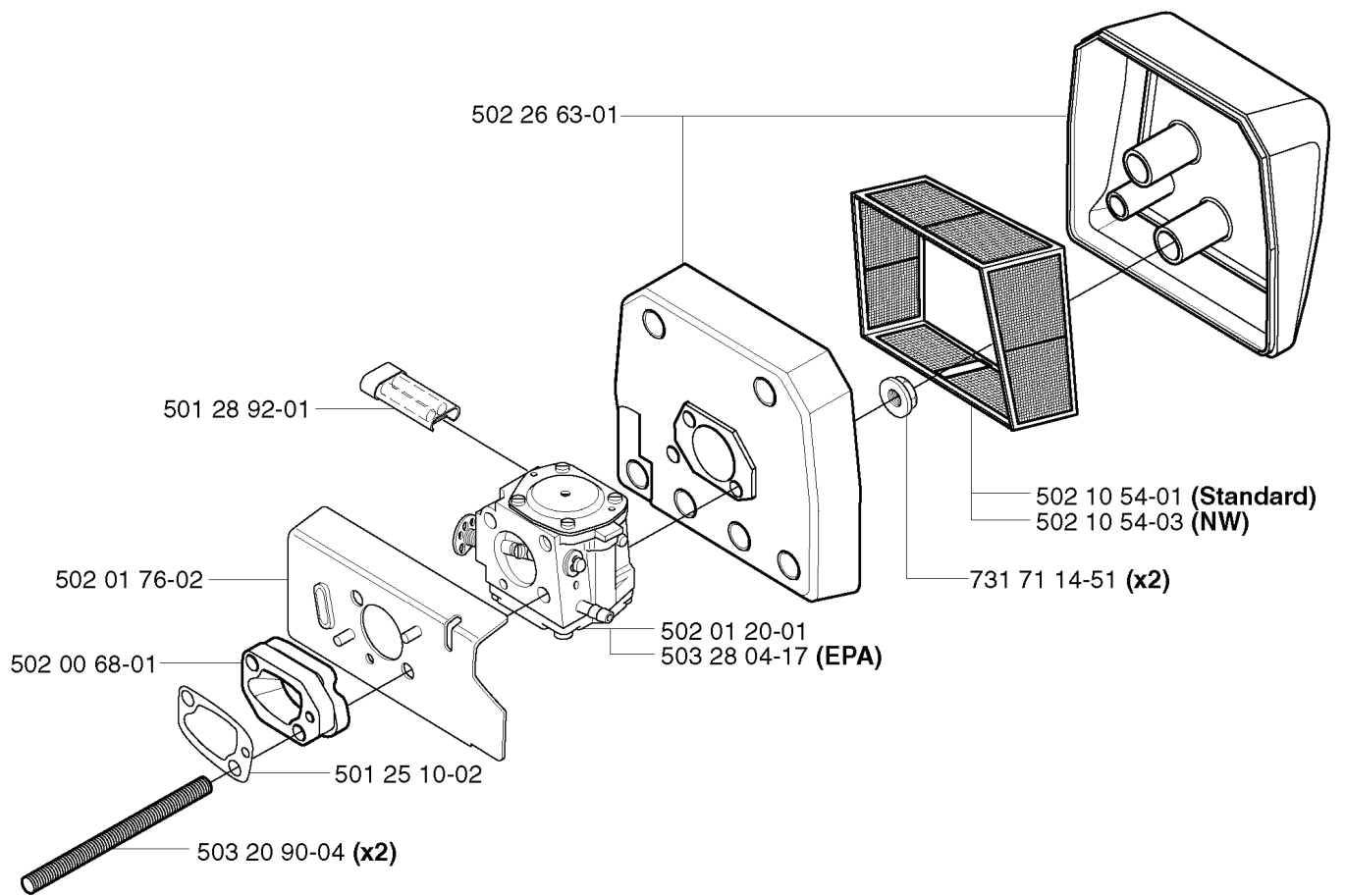
**A** \*compl 502 10 70-07



REF.	PART NO.	DESCRIPTION	REMARK	QTY.	KIT
502 10 70-07	502107007	GEAR HOUSING ASSY		1	
725 53 35-57	725533557	SCREW IHSCM		2	
738 21 04-00	738210400	BALL BEARING		1	
502 04 55-01	502045501	NUT		1	
502 03 14-03	502031403	SUPPORT FLANGE		1	
502 25 41-02	502254102	DRIVER		1	
725 53 29-55	725532955	SCREW IHSCM		3	
502 10 72-03	502107203	GEAR CASE COVER		1	
740 42 24-00	740422400	O-RING		1	
738 22 02-19	738220219	BALL BEARING		1	
740 44 08-00	740440800	O-RING		1	
502 22 70-01	502227001	SEALING COLLAR		1	
502 22 69-01	502226901	SPACER RING		1	
502 11 59-02	502115902	PLUG		1	
502 28 62-01	502286201	WASHER		1	
502 10 71-02	502107102	GEAR HOUSING		1	
502 22 03-02	502220302	GEAR WHEEL		1	
503 20 03-16	503200316	SCREW IHSCFM		4	
502 22 80-01	502228001	GEAR CASE COVER		1	
740 48 25-03	740482503	O-RING		1	
502 10 77-01	502107701	STOP SLEEVE		1	
740 51 13-01	740511301	SEALING RING		1	
735 31 17-00	735311700	CIRCLIP		1	
502 12 24-01	502122401	SPACER RING		1	
738 22 02-25	738220225	BALL BEARING		2	
502 01 40-01	502014001	KIT		1	



**J**

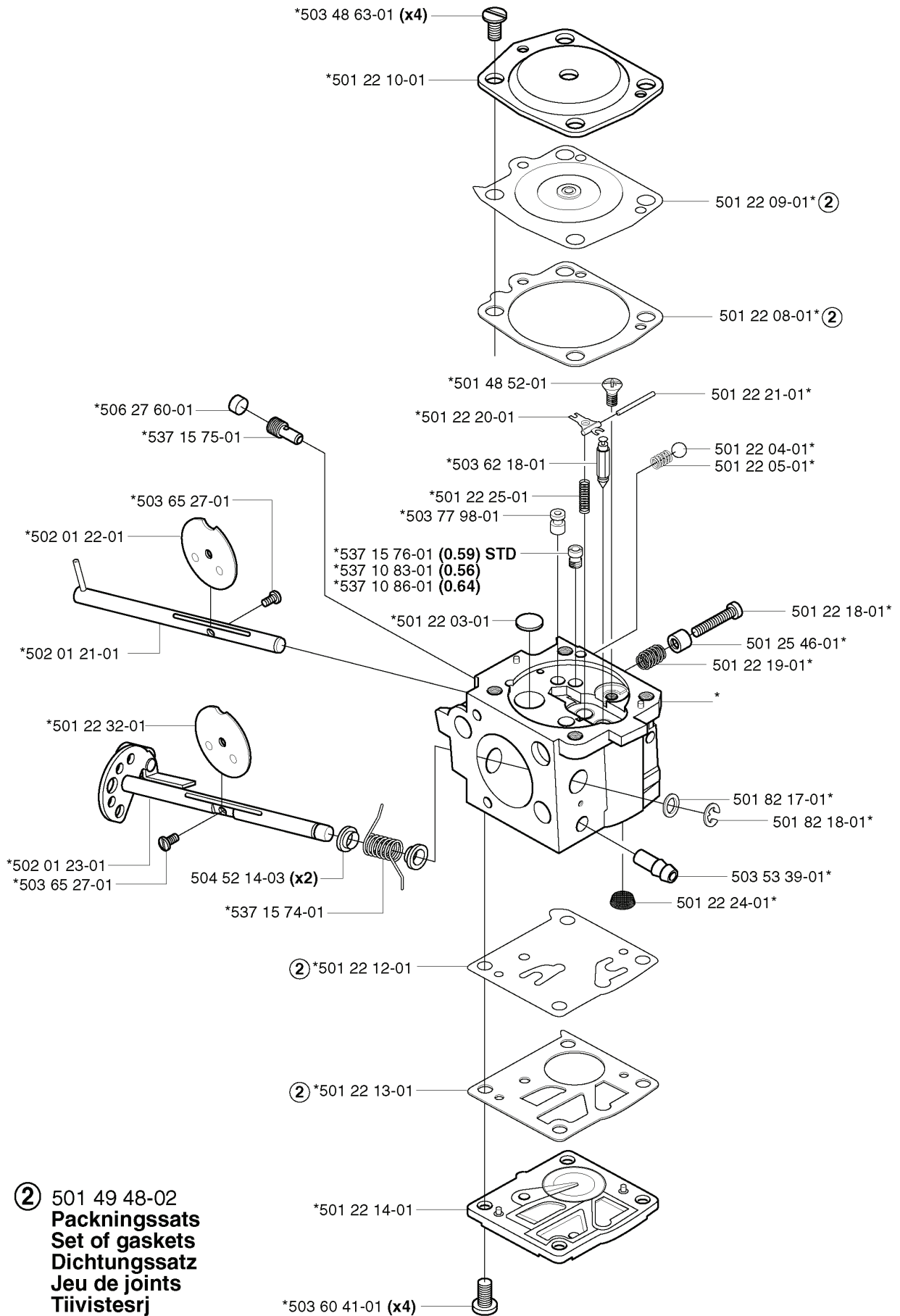


---

REF.	PART NO.	DESCRIPTION	REMARK	QTY.	KIT
5012892-01	501289201	GUIDE BUSHING		1	
5020176-02	502017602	INTERMEDIATE WALL		1	
5020068-01	502006801	MANIFOLD		1	
5032090-04	503209004	SCREW PIN		2	
5012510-02	501251002	GASKET		1	
5032804-17	503280417	CARBURETTOR	EPA	1	
5020120-01	502012001	CARBURETTOR		1	
5022663-01	502266301	KIT		1	
7317114-51	731711451	HEXAGON NUT FLANGE		2	
5021054-03	502105403	AIR FILTER ASSY	NW	1	
5021054-01	502105401	AIR FILTER ASSY	STANDARD	1	

**R** \*compl 503 28 04-17 (EPA)

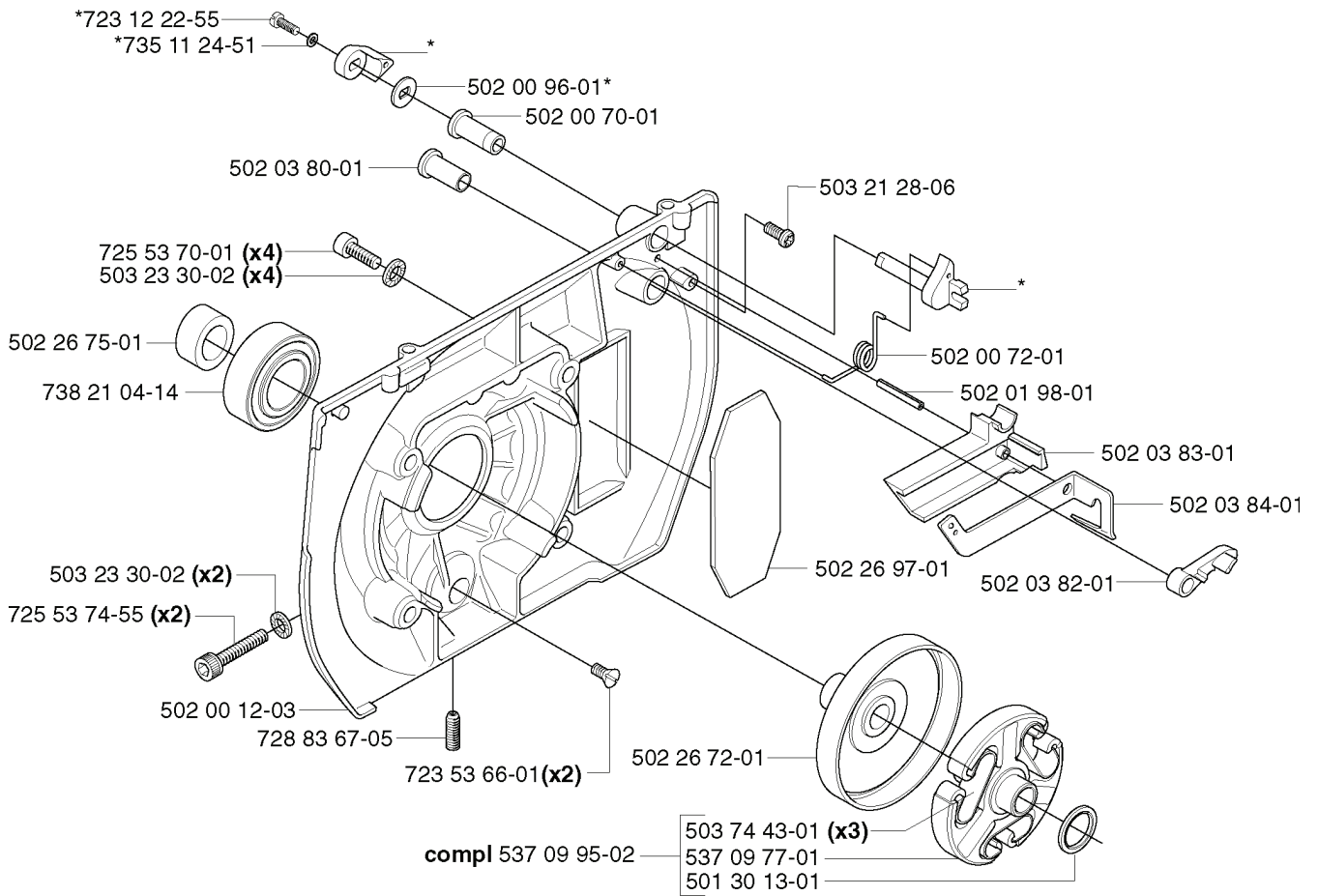
# Tillotson HS 304 A



REF.	PART NO.	DESCRIPTION	REMARK	QTY.	KIT
5032804-17	503280417	CARBURETTOR	EPA	1	
5062760-01	506276001	PLUG		1	
5371575-01	537157501	IDLE MIXTURE JET		1	
5036527-01	503652701	SCREW SHUTTER		1	
5020122-01	502012201	VALVE		1	
5020121-01	502012101	CHOKE SHAFT		1	
5012232-01	501223201	PLATE		1	
5020123-01	502012301	THROTTLE SH.&LEVER		1	
5036041-01	503604101	SCREW		4	
5012214-01	501221401	COVER		1	
5012213-01	501221301	GASKET	501 49 48-02 SET OF GASKETS	1	
5012212-01	501221201	DIAGRAM	501 49 48-02 SET OF GASKETS	1	
5371574-01	537157401	SPRING		1	
5045214-03	504521403	THRO.RETU.SPR.SLEEVE		2	
5034863-01	503486301	SCREW		4	
5012210-01	501221001	COVER		1	
5014948-02	501494802	GASKET KIT		1	
5014852-01	501485201	SCREW		1	
5012220-01	501222001	LEVER		1	
5036218-01	503621801	NEEDLE		1	
5012225-01	501222501	SPRING		1	
5037798-01	503779801	CHECKVALVE ASSY		1	
5371576-01	537157601	JET	0.59 STD	1	
5371083-01	537108301	JET	0.56	1	
5371086-01	537108601	JET	0.64	1	
5012203-01	501220301	PLUG		1	
5012224-01	501222401	SCREEN		1	
5035339-01	503533901	TUBE CONNECTOR		1	
5018218-01	501821801	THROTTLE SH.'E' RING		1	
5018217-01	501821701	WASHER		1	
5012219-01	501221901	IDLE SPEED SCREW		1	
5012546-01	501254601	BUSHING		1	
5012218-01	501221801	IDLE SPEED SCREW		1	
5012205-01	501220501	SPRING		1	
5012204-01	501220401	BALL		1	
5012221-01	501222101	PIN		1	
5012208-01	501220801	GASKET	501 49 48-02 SET OF GASKETS	1	
5012209-01	501220901	DIAPHRAGM	501 49 48-02 SET OF GASKETS	1	

**M** \*compl 502 00 97-02

**CHOKE** — 502 27 15-01



REF.	PART NO.	DESCRIPTION	REMARK	QTY.	KIT
502 00 97-02	502009702	STARTER THROTTLE LOCK		1	
723 12 22-55	723122255	SCREW SLCHM		1	
735 11 24-51	735112451	SPRING WASHER		1	
502 03 80-01	502038001	BUSHING		1	
725 53 70-01	725537001	SCREW IHSCM		4	
502 26 75-01	502267501	SPACER RING		1	
738 21 04-14	738210414	BALL BEARING		1	
503 23 30-02	503233002	WASHER		2	
725 53 74-55	725537455	SCREW IHSCM		2	
502 00 12-03	502001203	CLUTCH COVER ASSY		1	
728 83 67-05	728836705	SCREW IHSETM		1	
537 09 95-02	537099502	CLUTCH ASSY		1	
723 53 66-01	723536601	SCREW SLCSFM		2	
502 00 70-01	502007001	BEARING BUSH		1	
502 00 96-01	502009601	WASHER		1	
502 26 72-01	502267201	CLUTCH DRUM ASSY		1	
503 74 43-01	503744301	CLUTCH SPRING		3	
537 09 77-01	537097701	CLUTCH SHOE		1	
501 30 13-01	501301301	WASHER		1	
502 26 97-01	502269701	SPACER		1	
502 03 82-01	502038201	THROTTLE LEVER		1	
502 03 84-01	502038401	SPRING		1	
502 03 83-01	502038301	SPRING RETAINER		1	
502 01 98-01	502019801	SPRING PIN		1	
502 00 72-01	502007201	SPRING		1	
503 21 28-06	503212806	SCREW CCRPANT		1	
502 27 15-01	502271501	DECAL		1	

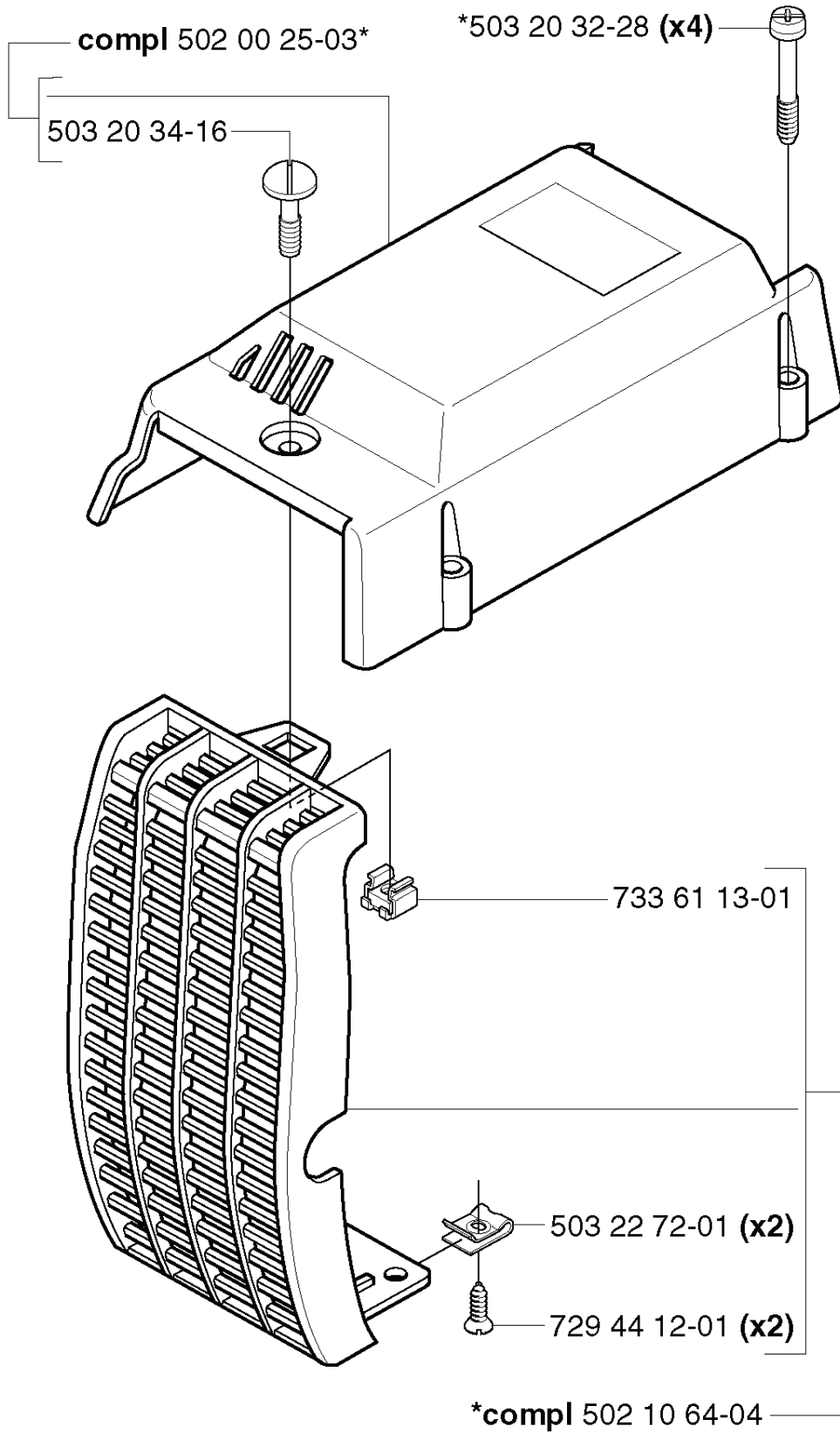
**E**

**H L**

502 27 16-01



502 26 76-01



---

REF.	PART NO.	DESCRIPTION	REMARK	QTY.	KIT
502 00 25-03	502002503	CYLINDER COVER ASSY		1	
503 20 34-16	503203416	SCREW CCRPANMO		1	
502 10 64-04	502106404	HEAT PROTECTOR		1	
729 44 12-01	729441201	SCREW SLCSRT		2	
503 22 72-01	503227201	SPEED NUT		2	
733 61 13-01	733611301	CAGE NUT		1	
503 20 32-28	503203228	SCREW		4	
502 26 76-01	502267601	DECAL		1	
502 27 16-01	502271601	DECAL		1	



**F**

\*compl 502 25 80-02

503 23 51-12  
**Champion RCJ7Y**

503 23 51-11  
**NGK BPMR7A**

725 53 33-55 (x4)

537 14 19-01

503 40 54-03

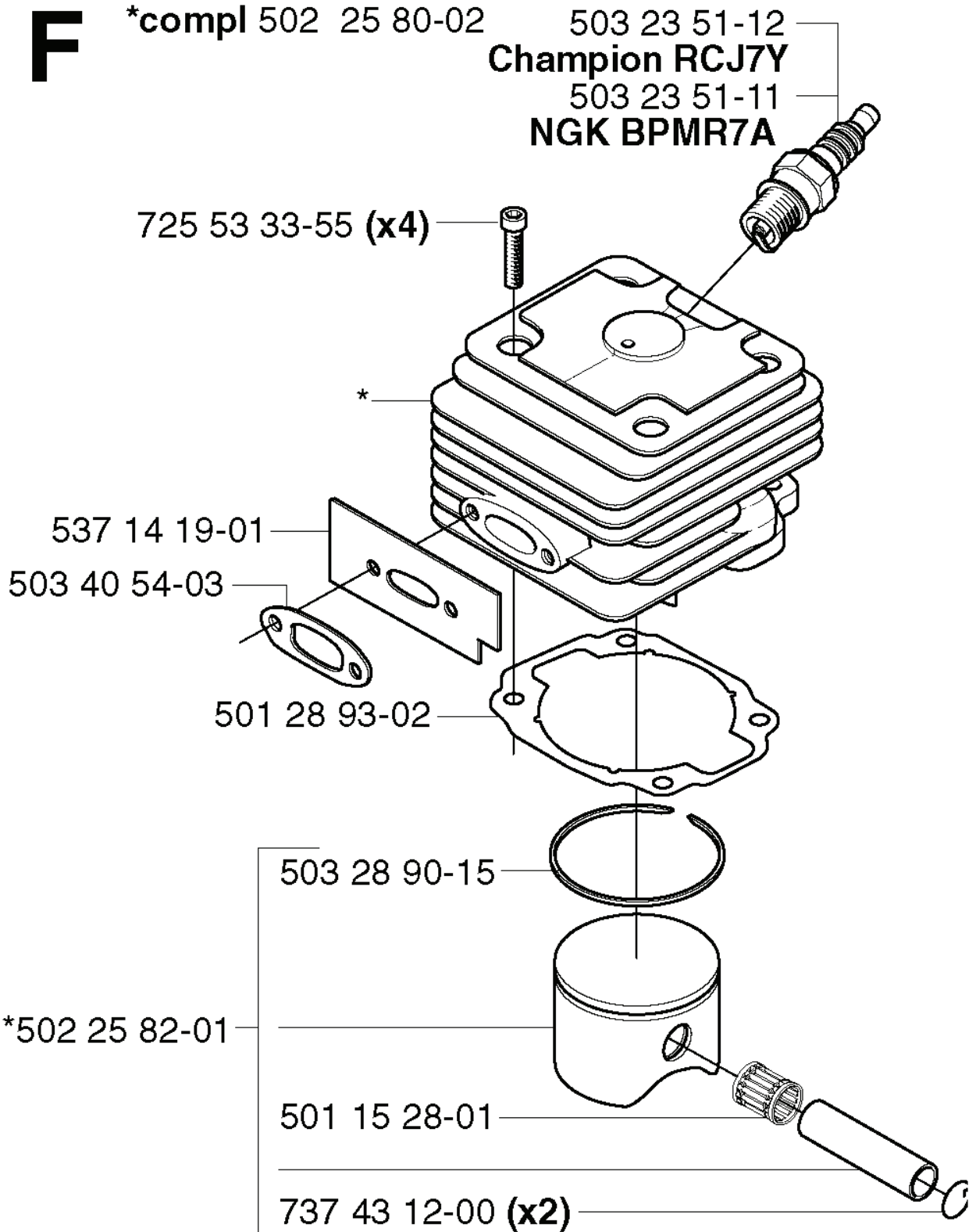
501 28 93-02

503 28 90-15

\*502 25 82-01

501 15 28-01

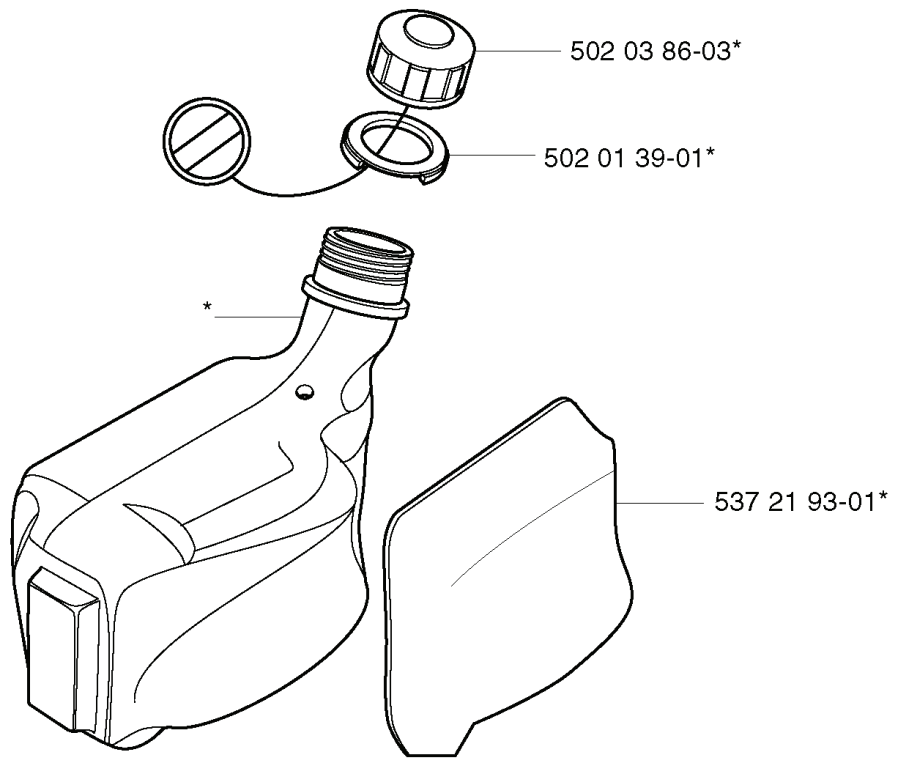
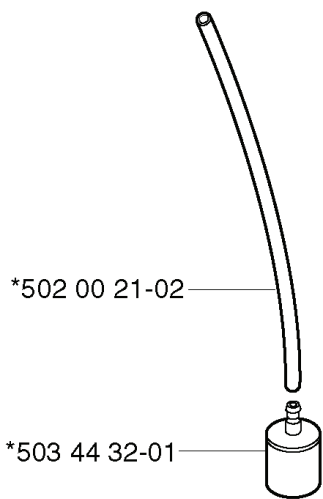
737 43 12-00 (x2)



---

REF.	PART NO.	DESCRIPTION	REMARK	QTY.	KIT
502 25 80-02	502258002	CYLINDER ASSY		1	
725 53 33-55	725533355	SCREW IHSCM		4	
537 14 19-01	537141901	BAFFLE PLATE		1	
503 40 54-03	503405403	GASKET MUFFLER		1	
502 25 82-01	502258201	PISTON ASSY		1	
737 43 12-00	737431200	SNAP RING		2	
501 15 28-01	501152801	NEEDLE BEARING		1	
503 28 90-15	503289015	PISTON RING		1	
501 28 93-02	501289302	GASKET		1	
503 23 51-11	503235111	SPARK PLUG	NGK BPMR7A	1	
503 23 51-12	503235112	SPARK PLUG	CHAMPION RCJ7Y	1	

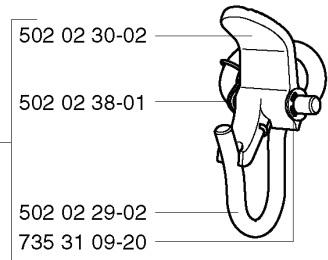
**H** \*compl 502 00 16-05



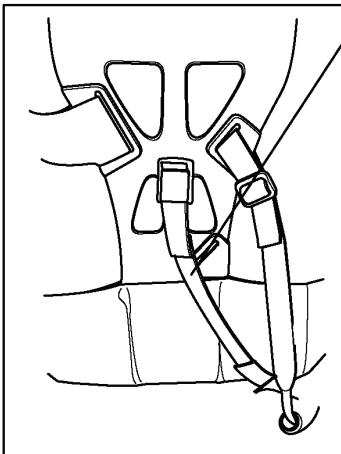
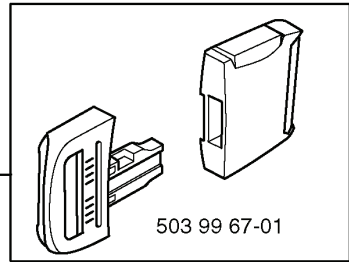
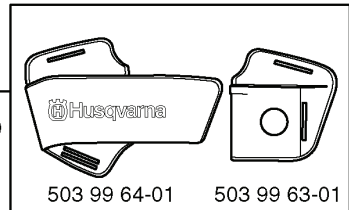
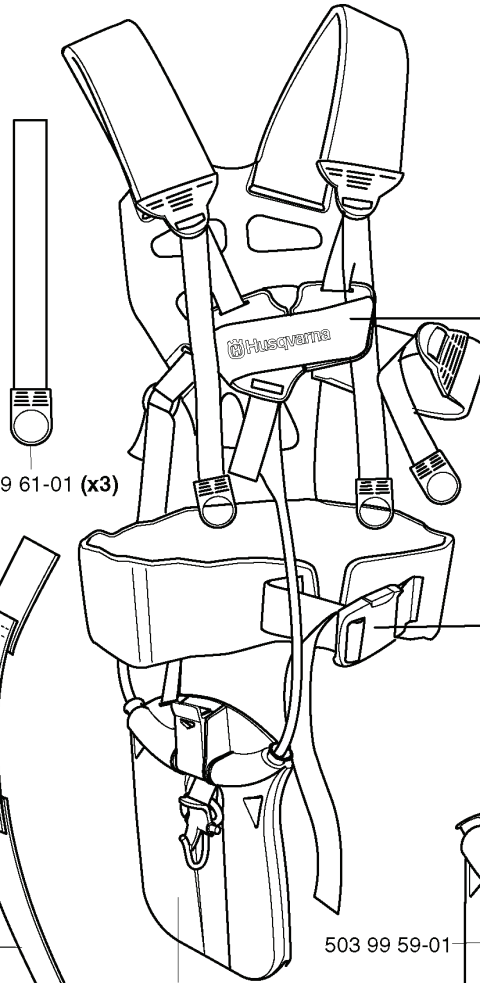
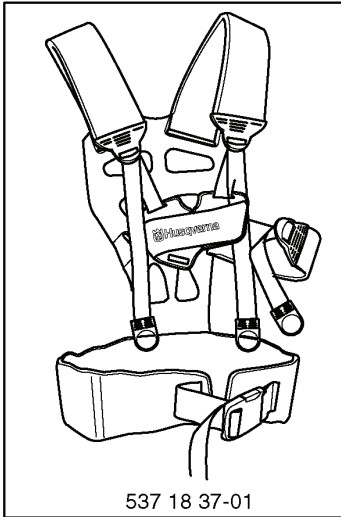
---

REF.	PART NO.	DESCRIPTION	REMARK	QTY.	KIT
502 00 16-05	502001605	FUEL TANK ASSY		1	
502 00 21-02	502002102	FUEL HOSE		1	
503 44 32-01	503443201	FUEL FILTER		1	
537 21 93-01	537219301	HEAT PROTECTOR		1	
502 01 39-01	502013901	GROMMET		1	
502 03 86-03	502038603	TANK CAP ASSY		1	

**U** Tillbehör  
 Accessories  
 Zubehör  
 Accessoires  
 Accesorios  
 compl 531 00 92-08  
 compl 531 00 92-09 US

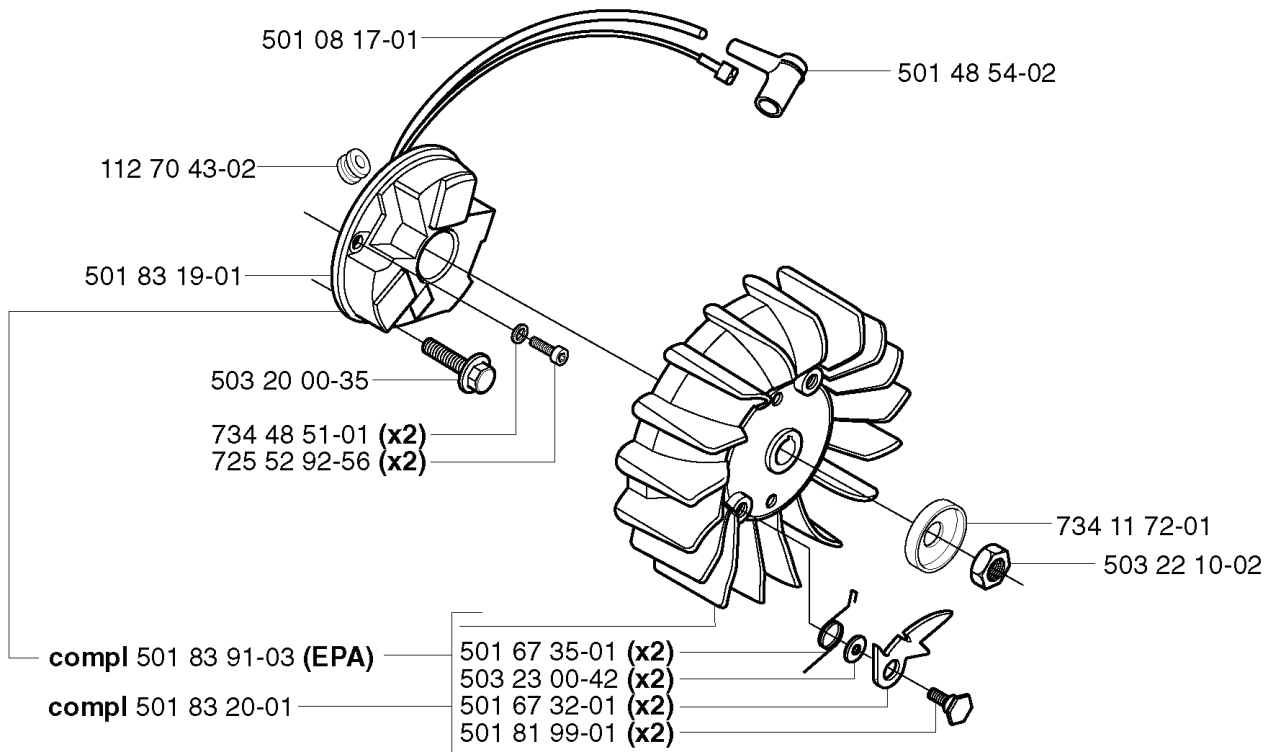


compl 502 02 28-01



REF.	PART NO.	DESCRIPTION	REMARK	QTY.	KIT
531 00 92-08	531009208	HARNESS		1	
531 00 92-09	531009209	HARNESS	US	1	
537 18 37-01	537183701	HARNESS		1	
537 11 35-01	537113501	RETAINER		1	
537 04 95-01	537049501	BAND		1	
537 15 35-01	537153501	STRAP		1	
502 02 28-03	502022803	WELT HOOK		1	
537 04 93-01	537049301	HIP PAD		1	
537 04 92-01	537049201	HIP PAD		1	
537 04 94-01	537049401	HIP PAD		1	
537 17 12-01	537171201	HIP PAD		1	
503 99 61-01	503996101	BAND		3	
503 99 59-01	503995901	HIP PAD		1	
537 17 53-01	537175301	HIP PAD		1	
537 17 54-01	537175401	HIP PAD		3	
501 60 82-01	501608201	RIVET		1	
503 99 67-01	503996701	BUCKLE		1	
503 99 64-01	503996401	FRONT PIECE		1	
503 99 63-01	503996301	FRONT PIECE		1	
735 31 09-20	735310920	E-CLIP		1	
502 02 29-02	502022902	HOOK		1	
502 02 38-01	502023801	SPRING		1	
502 02 30-02	502023002	LOCK		1	
502 02 28-01	502022801	HOOK		1	

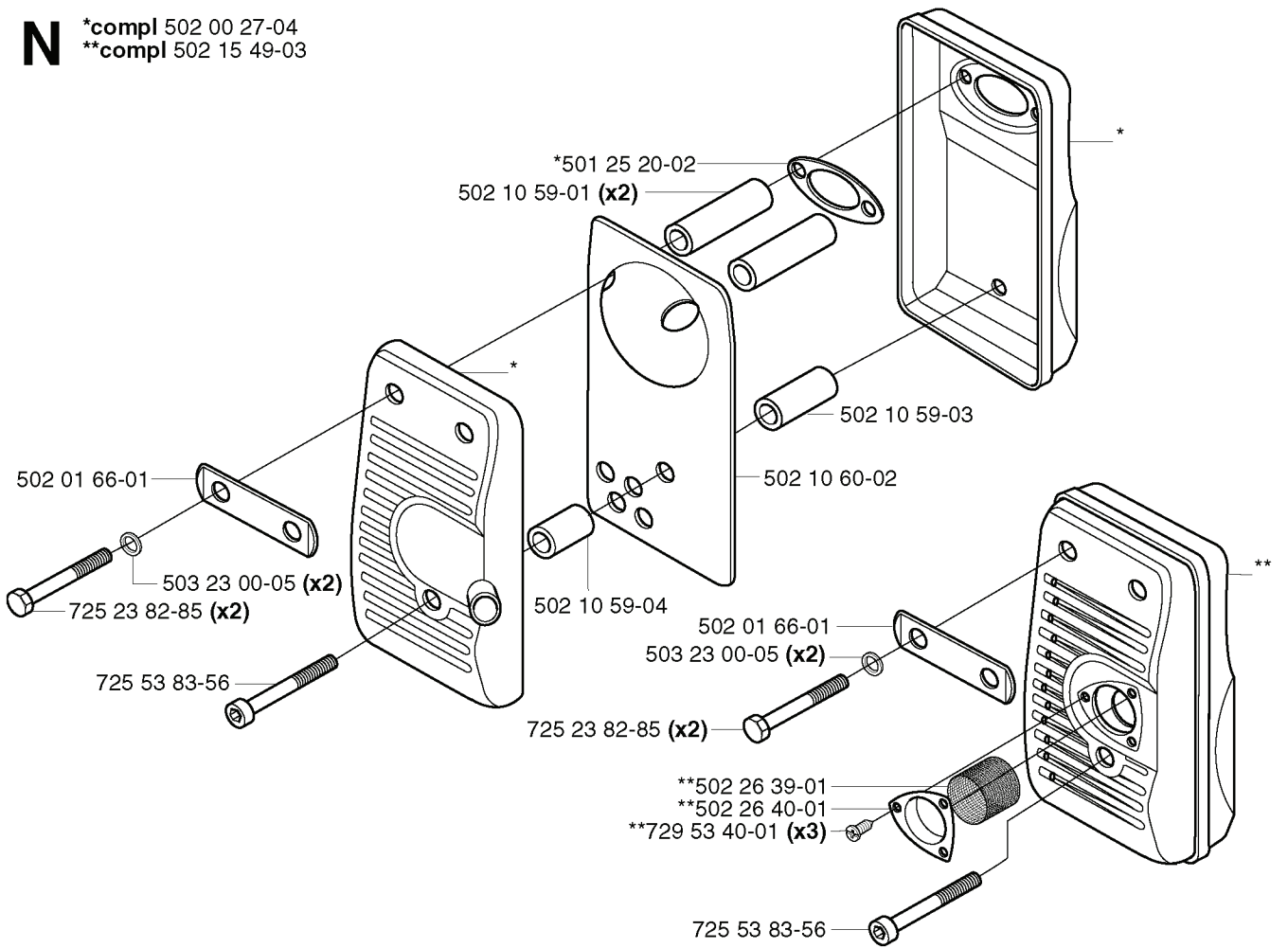
# K



REF.	PART NO.	DESCRIPTION	REMARK	QTY.	KIT
5010817-01	501081701	IGNITION CABLE		1	
1127043-02	112704302	GROMMET		1	
5018319-01	501831901	ANCHOR PLATE		1	
5032000-35	503200035	SCREW EHHFM		1	
7344851-01	734485101	WASHER		2	
7255292-56	725529256	SCREW		2	
5018391-03	501839103	FLYWHEEL	EPA	1	
5018320-01	501832001	FLYWHEEL ASSY		1	
5018199-01	501819901	SCREW		2	
5016732-01	501673201	PAWL		2	
5032300-42	503230042	WASHER		2	
5016735-01	501673501	SPRING		2	
5032210-02	503221002	HEXAGON NUT		1	
7341172-01	734117201	WASHER		1	
5014854-02	501485402	SPARK PLUG CAP		1	



**N** \*compl 502 00 27-04  
\*\*compl 502 15 49-03



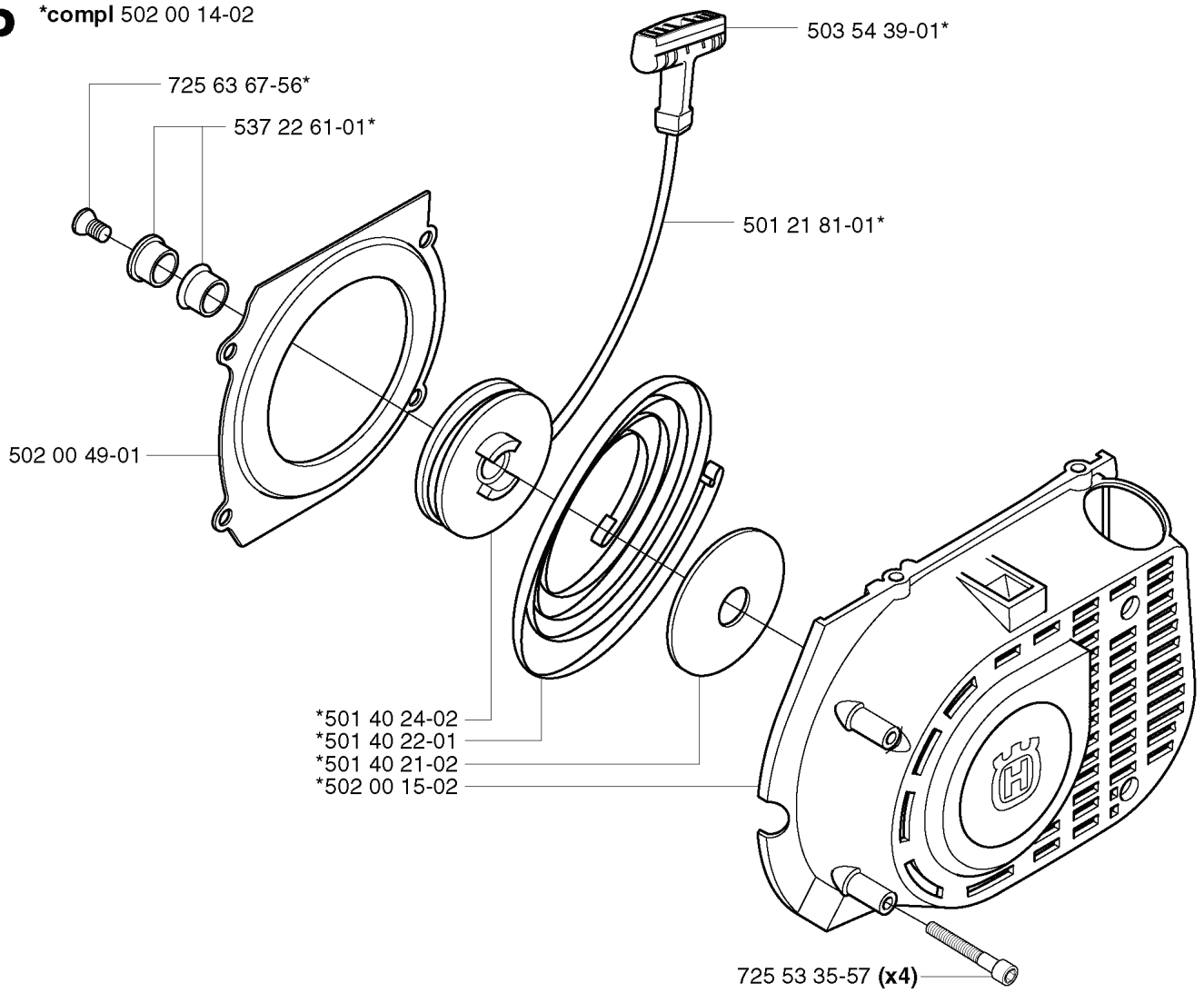
REF.	PART NO.	DESCRIPTION	REMARK	QTY.	KIT
502 00 27-04	502002704	MUFFLER ASSY		1	
502 15 49-03	502154903	MUFFLER FF		1	
503 23 00-05	503230005	WASHER		2	
725 23 82-85	725238285	SCREW EHHM		2	
725 53 83-56	725538356	SCREW IHSCM		1	
729 53 40-01	729534001	SCREW CCRPANT		3	
502 26 40-01	502264001	HUB CAP		1	
502 26 39-01	502263901	SPARK ARRESTER		1	
502 01 66-01	502016601	LOCK PLATE		1	
502 10 59-04	502105904	SPACING TUBE		1	
502 10 60-02	502106002	BAFFLE PLATE		1	
502 10 59-03	502105903	SPACING TUBE		1	
502 10 59-01	502105901	SPACING TUBE		2	
501 25 20-02	501252002	FLANGE		1	



---

REF.	PART NO.	DESCRIPTION	REMARK	QTY.	KIT
502 25 25-02	502252502	TUBE ASSY		1	
537 01 40-05	537014005	DRIVE SHAFT ASSY		1	
537 02 76-02	537027602	LABEL		1	

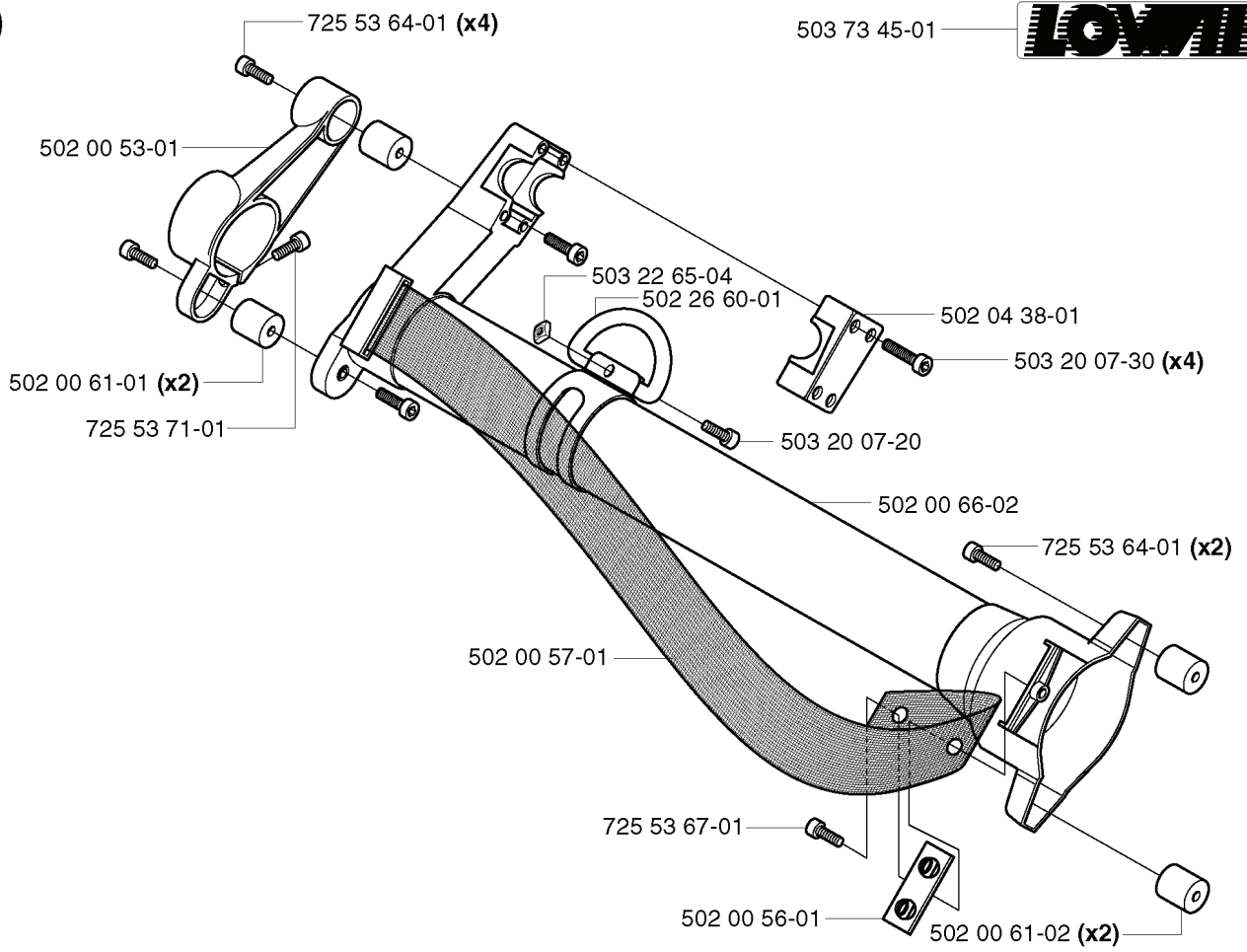
**P** \*compl 502 00 14-02



---

REF.	PART NO.	DESCRIPTION	REMARK	QTY.	KIT
502 00 14-02	502001402	STARTER ASSY		1	
725 63 67-56	725636756	SCREW IHCSFM		1	
537 22 61-01	537226101	BEARING KIT		1	
502 00 49-01	502004901	SPACING PLATE		1	
501 40 24-02	501402402	STARTER PULLEY		1	
501 40 22-01	501402201	RECOIL SPRING		1	
501 40 21-02	501402102	DAMPER		1	
502 00 15-02	502001502	STARTER HOUSING		1	
725 53 35-57	725533557	SCREW IHSCM		4	
501 21 81-01	501218101	STARTER ROPE ASSY		1	
503 54 39-01	503543901	STARTER HANDLE		1	

**D**

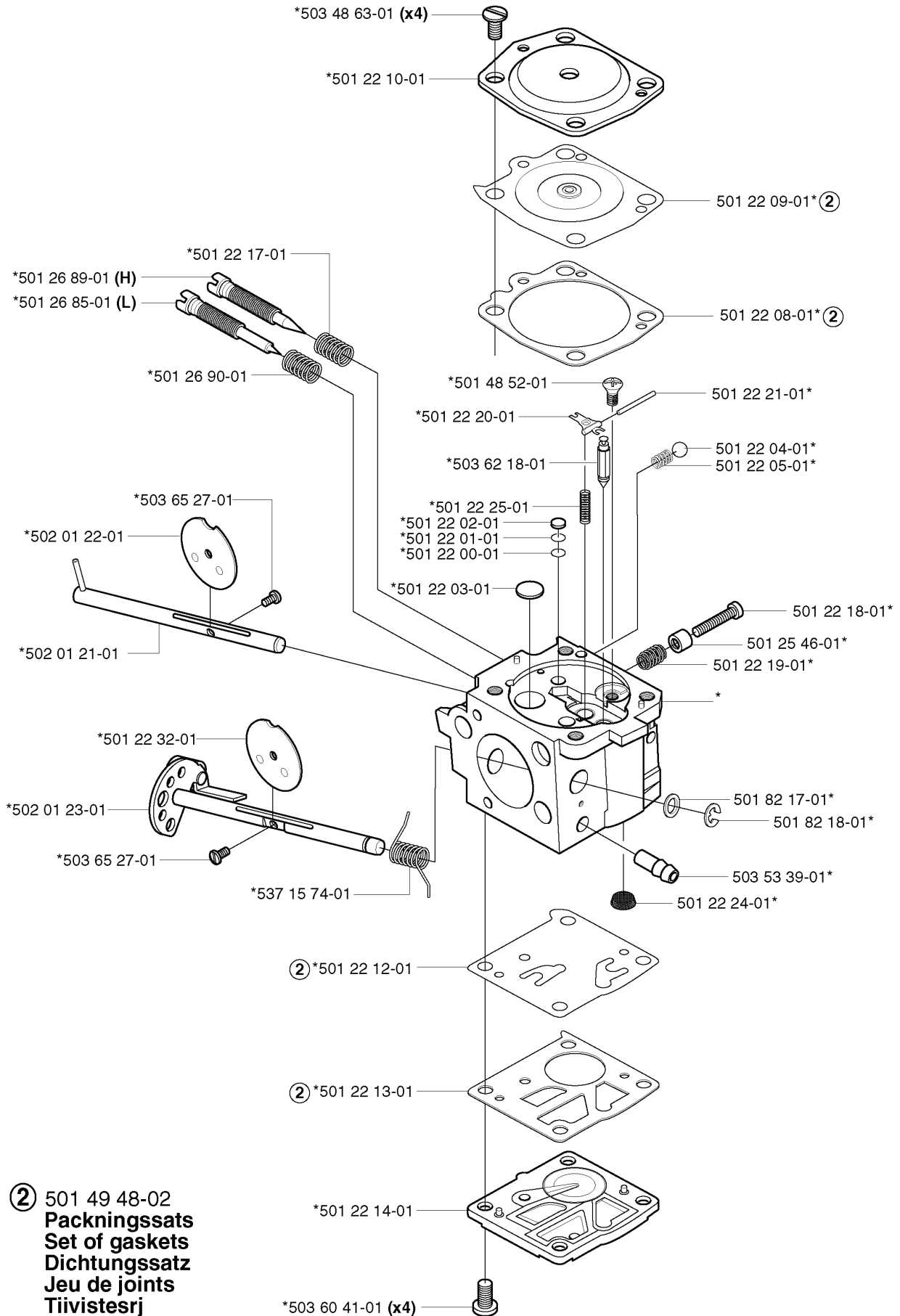


REF.	PART NO.	DESCRIPTION	REMARK	QTY.	KIT
502 00 53-01	502005301	RETAINER		1	
502 00 61-01	502006101	ANTIVIBRATION ELEMENT		2	
725 53 71-01	725537101	SCREW		1	
502 00 56-01	502005601	BELT TENSIONER		1	
725 53 67-01	725536701	SCREW		1	
502 00 57-01	502005701	SADDLE GIRTH		1	
725 53 64-01	725536401	SCREW IHSCM		4	
503 22 65-04	503226504	SQUARE NUT		1	
502 26 60-01	502266001	SUSPENSION BAIL		1	
503 20 07-20	503200720	SCREW IHSCFM		1	
502 00 66-02	502006602	SUSPENSION		1	
502 00 61-02	502006102	DAMPER		2	
503 20 07-30	503200730	SCREW IHSCFM		4	
502 04 38-01	502043801	HANDLEBAR BRACKET		1	
503 73 45-01	503734501	LABEL		1	



**Q**

\*compl 502 01 20-01

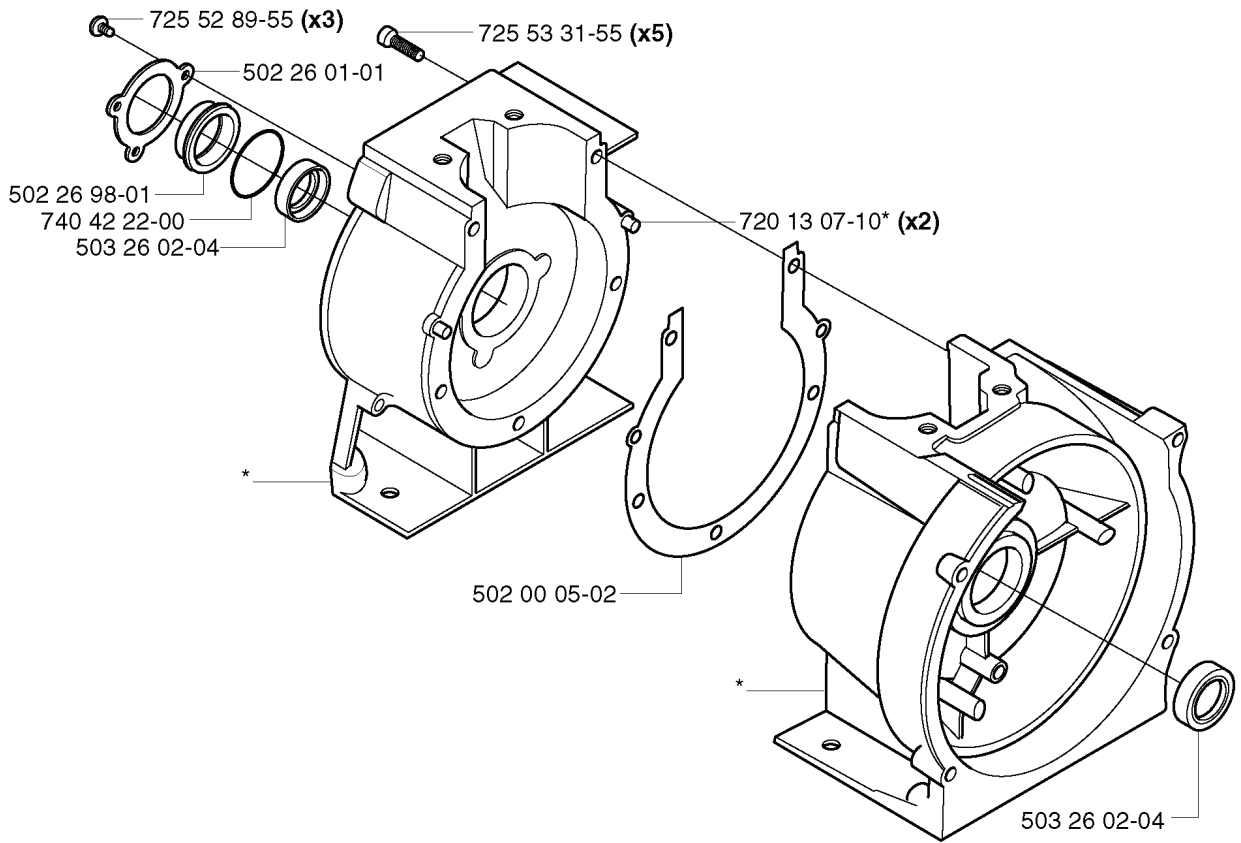
**Tillotson HS 121 A**

② 501 49 48-02  
**Packningssats**  
**Set of gaskets**  
**Dichtungssatz**  
**Jeu de joints**  
**Tiivistesrj**

REF.	PART NO.	DESCRIPTION	REMARK	QTY.	KIT
502 01 20-01	502012001	CARBURETTOR		1	
501 26 89-01	501268901	SCREW	H	1	
501 26 85-01	501268501	SCREW	L	1	
502 01 22-01	502012201	VALVE		1	
502 01 21-01	502012101	CHOKE SHAFT		1	
501 22 32-01	501223201	PLATE		1	
502 01 23-01	502012301	THROTTLE SH.&LEVER		1	
503 60 41-01	503604101	SCREW		4	
501 22 14-01	501221401	COVER		1	
501 22 13-01	501221301	GASKET	501 49 48-02 SET OF GASKETS	1	
501 22 12-01	501221201	DIAGRAM	501 49 48-02 SET OF GASKETS	1	
537 15 74-01	537157401	SPRING		1	
503 65 27-01	503652701	SCREW SHUTTER		1	
501 26 90-01	501269001	SPRING		1	
501 22 17-01	501221701	SPRING		1	
503 48 63-01	503486301	SCREW		4	
501 22 10-01	501221001	COVER		1	
501 48 52-01	501485201	SCREW		1	
501 22 20-01	501222001	LEVER		1	
503 62 18-01	503621801	NEEDLE		1	
501 22 25-01	501222501	SPRING		1	
501 22 02-01	501220201	PLUG		1	
501 22 01-01	501220101	RETAINER RING		1	
501 49 48-02	501494802	GASKET KIT		1	
501 22 00-01	501220001	BODY CHANNEL SCREEN		1	
501 22 03-01	501220301	PLUG		1	
501 22 24-01	501222401	SCREEN		1	
503 53 39-01	503533901	TUBE CONNECTOR		1	
501 82 18-01	501821801	THROTTLE SH.'E' RING		1	
501 82 17-01	501821701	WASHER		1	
501 22 19-01	501221901	IDLE SPEED SCREW		1	
501 25 46-01	501254601	BUSHING		1	
501 22 18-01	501221801	IDLE SPEED SCREW		1	
501 22 05-01	501220501	SPRING		1	
501 22 04-01	501220401	BALL		1	
501 22 21-01	501222101	PIN		1	
501 22 08-01	501220801	GASKET	501 49 48-02 SET OF GASKETS	1	
501 22 09-01	501220901	DIAPHRAGM	501 49 48-02 SET OF GASKETS	1	



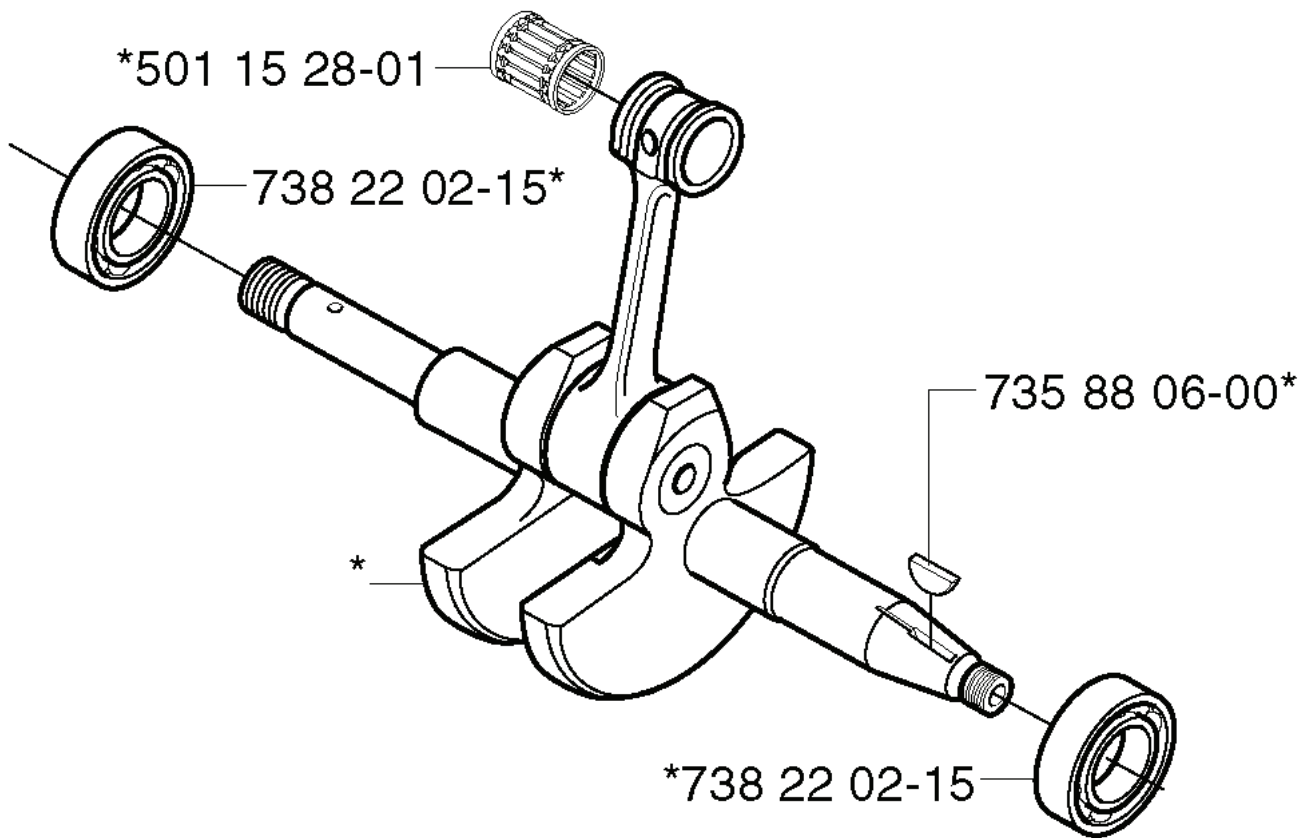
\*compl 502 00 20-01



---

REF.	PART NO.	DESCRIPTION	REMARK	QTY.	KIT
502 00 20-01	502002001	CRANKCASE		1	
725 52 89-55	725528955	SCREW IHSCM		3	
502 26 01-01	502260101	BEARING CAGE		1	
502 26 98-01	502269801	SEALING RING HOLDER		1	
740 42 22-00	740422200	O-RING		1	
503 26 02-04	503260204	SEALING RING		1	
502 00 05-02	502000502	CRANKCASE		1	
720 13 07-10	720130710	PARALLEL PIN		2	
725 53 31-55	725533155	SCREW IHSCM		5	

# G \*compl 503 88 50-72



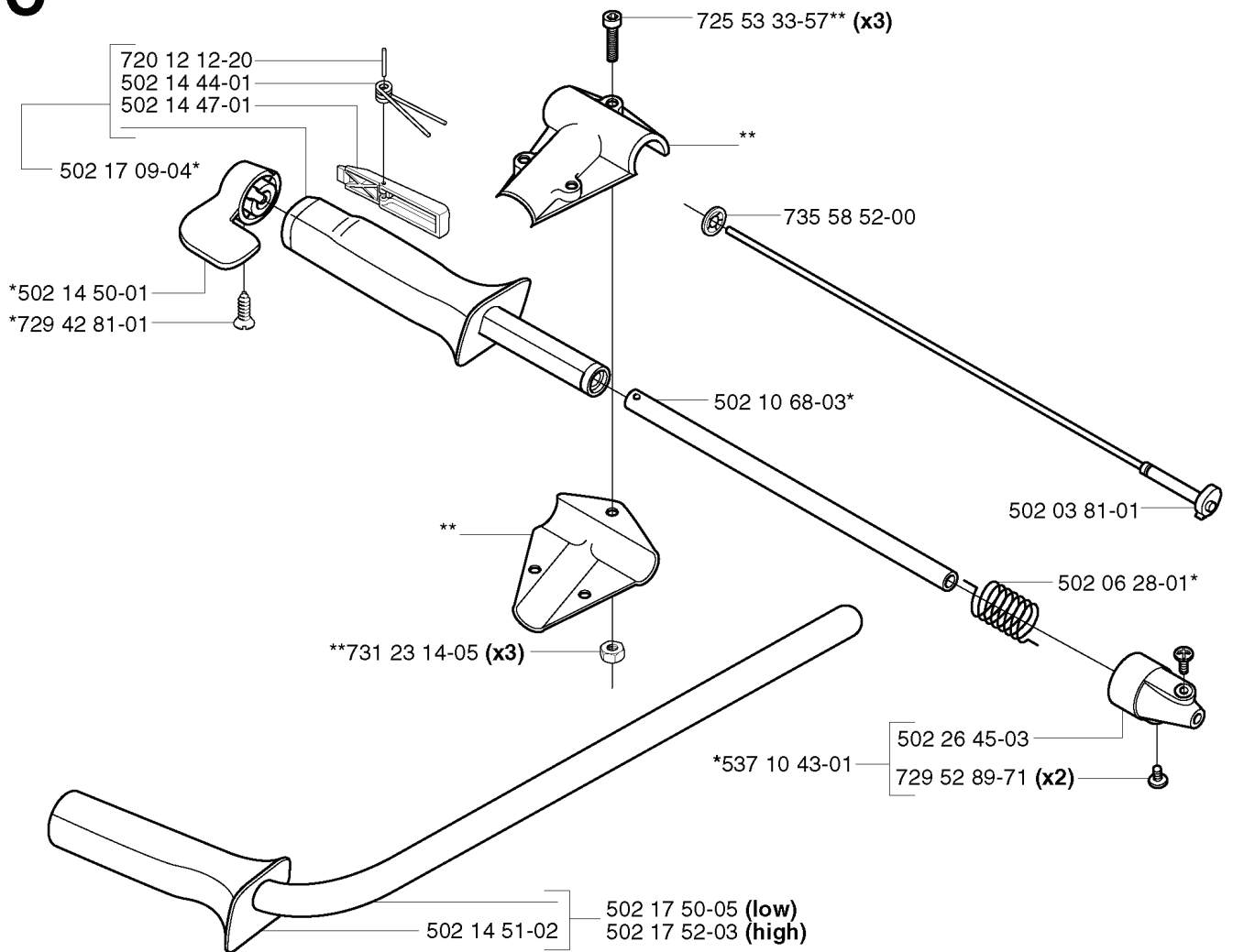
---

REF.	PART NO.	DESCRIPTION	REMARK	QTY.	KIT
503 88 50-72	503885072	CRANKSHAFT		1	
501 15 28-01	501152801	NEEDLE BEARING		1	
738 22 02-15	738220215	BALL BEARING		1	
735 88 06-00	735880600	WOODRUFF KEY		1	

**C**

\*compl 502 14 45-04

\*\*compl 502 07 10-04



REF.	PART NO.	DESCRIPTION	REMARK	QTY.	KIT
502 14 45-04	502144504	HANDLE ASSY		1	
720 12 12-20	720121220	PARALLEL PIN		1	
502 14 44-01	502144401	SPRING		1	
502 14 47-01	502144701	THROTTLE LOCKOUT		1	
502 17 09-04	502170904	HANDLEBAR RIGHT		1	
502 14 50-01	502145001	THROTTLE TRIGGER		1	
729 42 81-01	729428101	SCREW SLC SRT		1	
731 23 14-05	731231405	HEXAGON NUT		3	
502 14 51-02	502145102	HANDLE		1	
502 17 52-03	502175203	HANDLEBAR	HIGH	1	
502 17 50-05	502175005	HANDLEBAR LEFT	LOW	1	
537 10 43-01	537104301	SPRING GUIDE		1	
502 10 68-03	502106803	TUBULAR SHAFT		1	
502 26 45-03	502264503	SPRING GUIDE		1	
729 52 89-71	729528971	SCREW CRPANT		2	
502 06 28-01	502062801	RECOIL SPRING		1	
502 03 81-01	502038101	SHAFT FLEXIBLE		1	
735 58 52-00	735585200	WASHER		1	
725 53 33-57	725533357	SCREW IHSCM		3	
502 07 10-04	502071004	RETAINER		1	