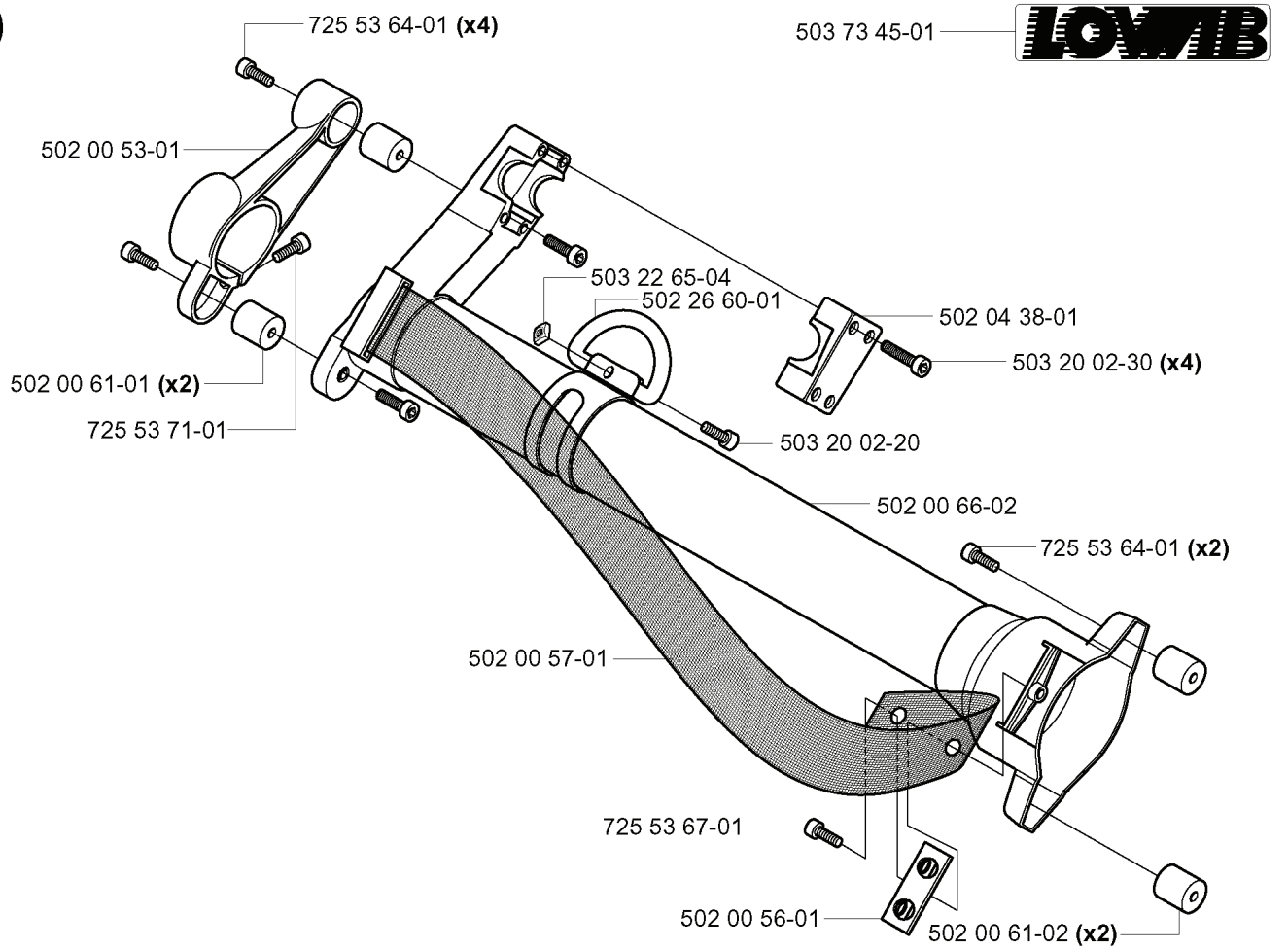


265 RX from 20144900001-Current

SPARE PARTS LIST

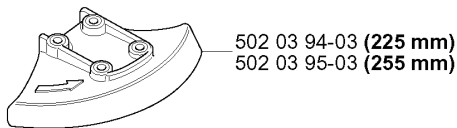
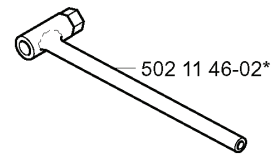
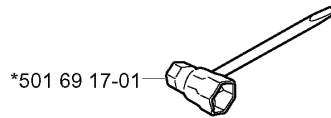
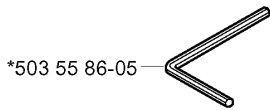
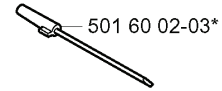
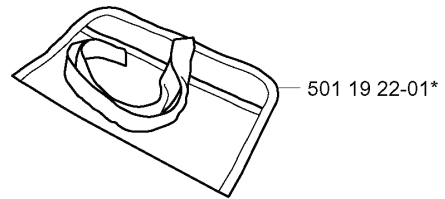
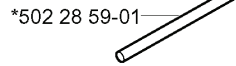
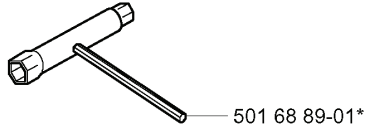
D



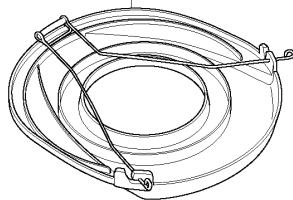
REF.	PART NO.	DESCRIPTION	REMARK	QTY.	KIT
502 00 53-01	502005301	RETAINER		1	
502 00 61-01	502006101	ANTIVIBRATION ELEMENT		2	
725 53 71-01	725537101	SCREW		1	
725 53 64-01	725536401	SCREW IHSCM		4	
503 22 65-04	503226504	SQUARE NUT		1	
502 26 60-01	502266001	SUSPENSION BAIL		1	
502 00 57-01	502005701	SADDLE GIRTH		1	
725 53 67-01	725536701	SCREW		1	
502 00 56-01	502005601	BELT TENSIONER		1	
502 00 61-02	502006102	DAMPER		2	
502 00 66-02	502006602	SUSPENSION		1	
503 20 02-20	503200220	SCREW IHSCFM		1	
503 20 02-30	503200230	SCREW IHSCFM		4	
502 04 38-01	502043801	HANDLEBAR BRACKET		1	
503 73 45-01	503734501	LABEL		1	

R Tillbehör
Accessories
Zubehöre
Accessoires
Accesorios

*compl 502 21 60-12



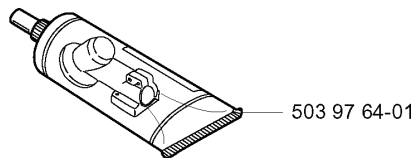
537 31 29-01 (200-275 mm)



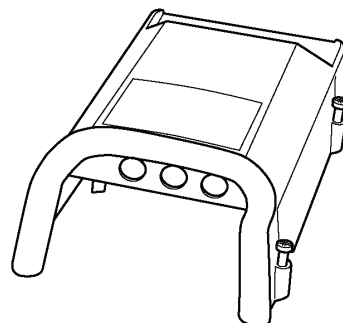
537 30 66-01
Trio Balance



S Levereras endast som reservdel
Delivery as spare part only
Nur als Ersatzteil lieferbar
Livrablé seulement comme pièce de rechange
Solo como repuesto

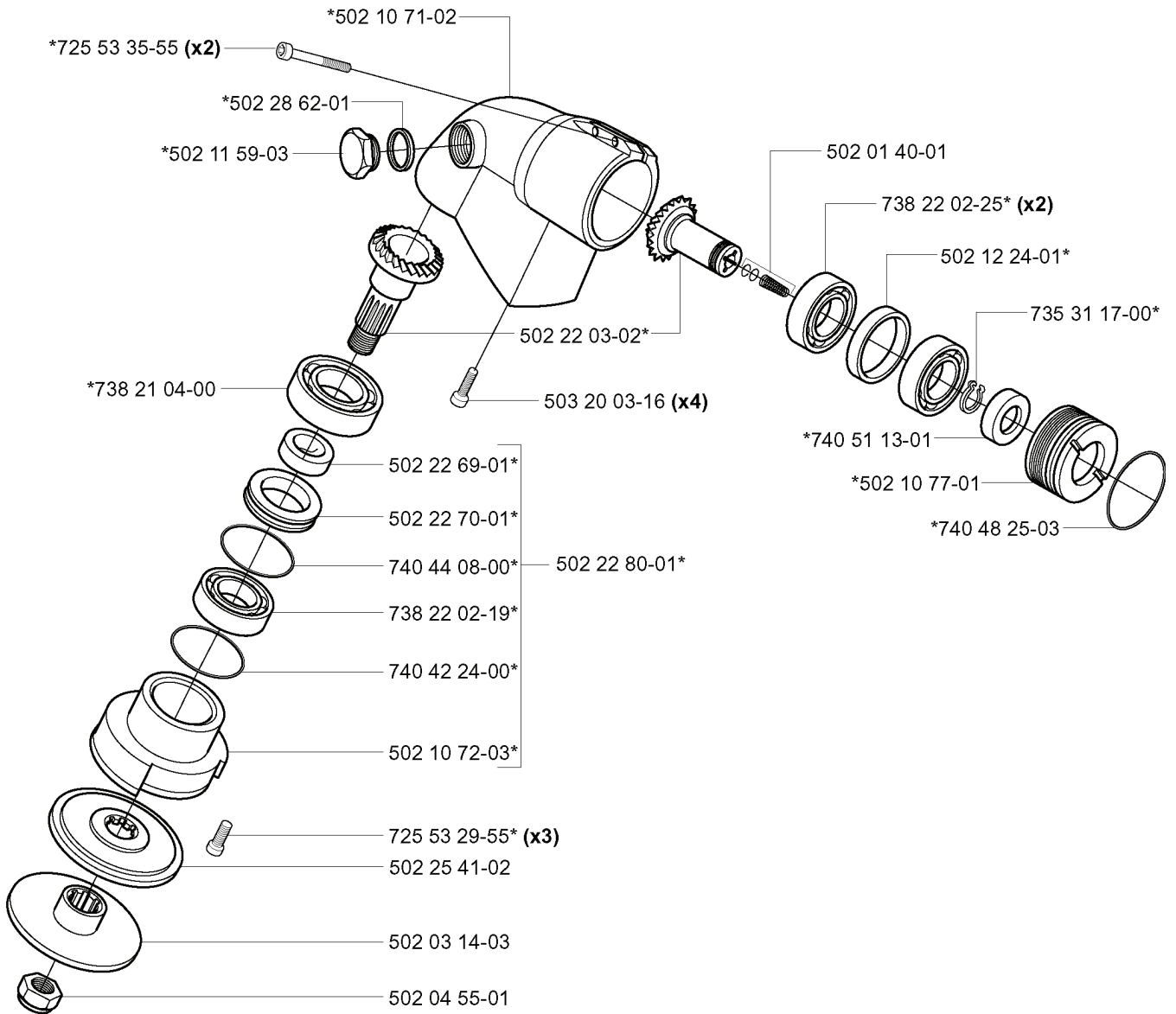


Vintersats
Winter kit
Wintersatz
Dispositif hivernal
Juego para uso invernal
compl 537 25 36-01



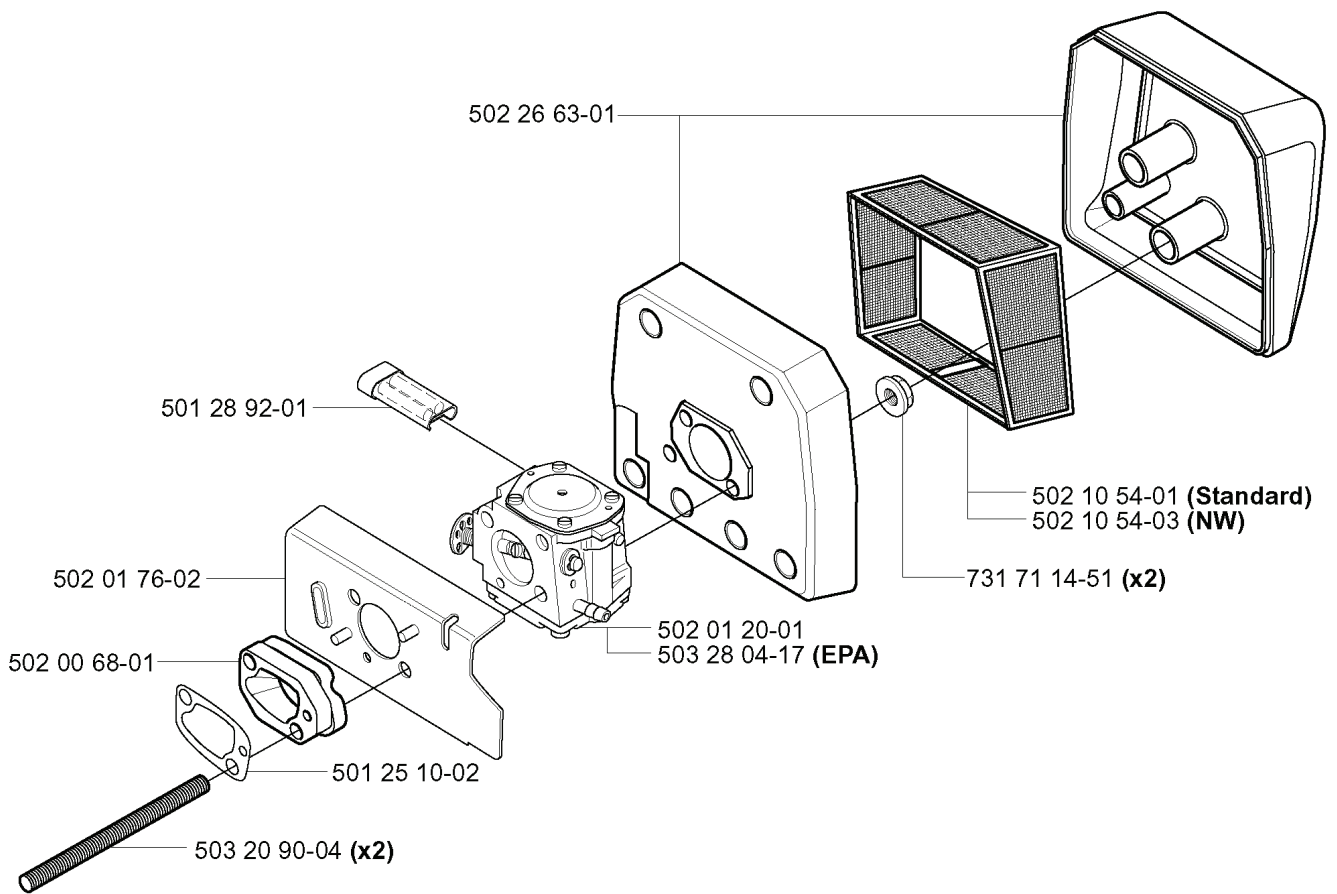
REF.	PART NO.	DESCRIPTION	REMARK	QTY.	KIT
502 21 60-12	502216012	ACCESSORY BAG		1	
503 55 86-05	503558605	SPANNER		1	
537 31 29-01	537312901	TRANSPORT GUARD	200-275 MM	1	
537 25 36-01	537253601	WINTER KIT		1	
502 03 95-03	502039503	SAW BLADE GUARD	255 MM	1	
502 03 94-03	502039403	SAW BLADE GUARD	225 MM	1	
501 68 89-01	501688901	COMBINATION WRENCH		1	
502 28 59-01	502285901	STOP		1	
501 69 17-01	501691701	COMBINATION WRENCH		1	
537 30 66-01	537306601	BAG	TRIO BALANCE	1	
503 97 64-01	503976401	GREASE		1	
502 11 46-02	502114602	SOCKET WRENCH		1	
501 60 02-03	501600203	SCREWDRIVER		1	
501 19 22-01	501192201	TOOL		1	

A *compl 502 10 70-07



REF.	PART NO.	DESCRIPTION	REMARK	QTY.	KIT
502 10 70-07	502107007	GEAR HOUSING ASSY		1	
725 53 35-55	725533555	SCREW IHSCM		2	
738 21 04-00	738210400	BALL BEARING		1	
502 04 55-01	502045501	NUT		1	
502 03 14-03	502031403	SUPPORT FLANGE		1	
502 25 41-02	502254102	DRIVER		1	
725 53 29-55	725532955	SCREW IHSCM		3	
502 10 72-03	502107203	GEAR CASE COVER		1	
740 42 24-00	740422400	O-RING		1	
738 22 02-19	738220219	BALL BEARING		1	
740 44 08-00	740440800	O-RING		1	
502 22 70-01	502227001	SEALING COLLAR		1	
502 22 69-01	502226901	SPACER RING		1	
502 11 59-03	502115903	PLUG		1	
502 28 62-01	502286201	WASHER		1	
502 10 71-02	502107102	GEAR HOUSING		1	
502 22 03-02	502220302	GEAR WHEEL		1	
503 20 03-16	503200316	SCREW IHSCFM		4	
502 22 80-01	502228001	GEAR CASE COVER		1	
740 48 25-03	740482503	O-RING		1	
502 10 77-01	502107701	STOP SLEEVE		1	
740 51 13-01	740511301	SEALING RING		1	
735 31 17-00	735311700	CIRCLIP		1	
502 12 24-01	502122401	SPACER RING		1	
738 22 02-25	738220225	BALL BEARING		2	
502 01 40-01	502014001	KIT		1	

G



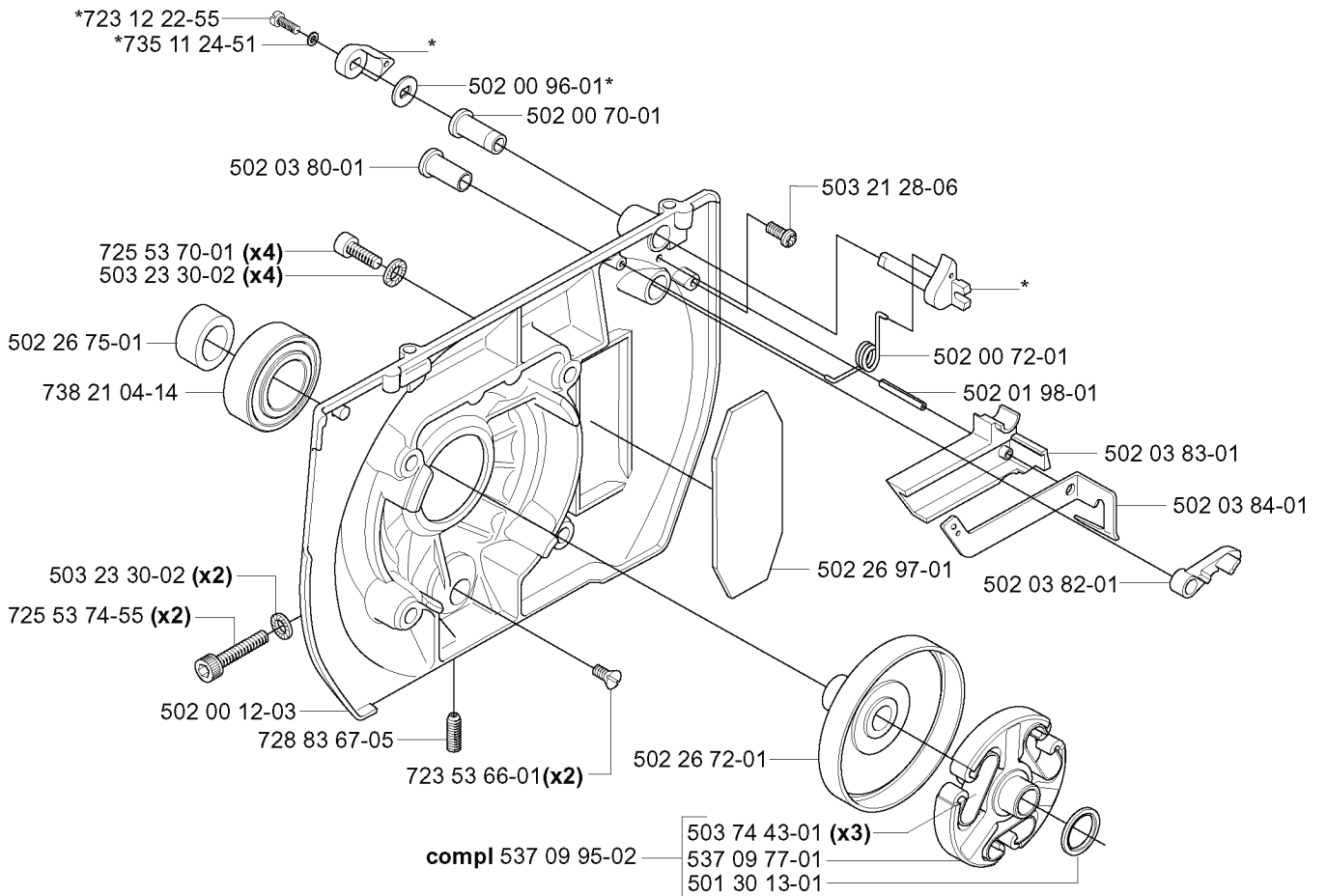
REF.	PART NO.	DESCRIPTION	REMARK	QTY.	KIT
5012892-01	501289201	GUIDE BUSHING		1	
5020176-02	502017602	INTERMEDIATE WALL		1	
5020068-01	502006801	MANIFOLD		1	
5032090-04	503209004	SCREW PIN		2	
5012510-02	501251002	GASKET		1	
5022663-01	502266301	KIT		1	
5020120-01	502012001	CARBURETTOR		1	
5032804-17	503280417	CARBURETTOR	EPA	1	
7317114-51	731711451	HEXAGON NUT FLANGE		2	
5021054-03	502105403	AIR FILTER ASSY	NW	1	
5021054-01	502105401	AIR FILTER ASSY	STANDARD	1	



*compl 502 00 97-02

CHOKE

502 27 15-01



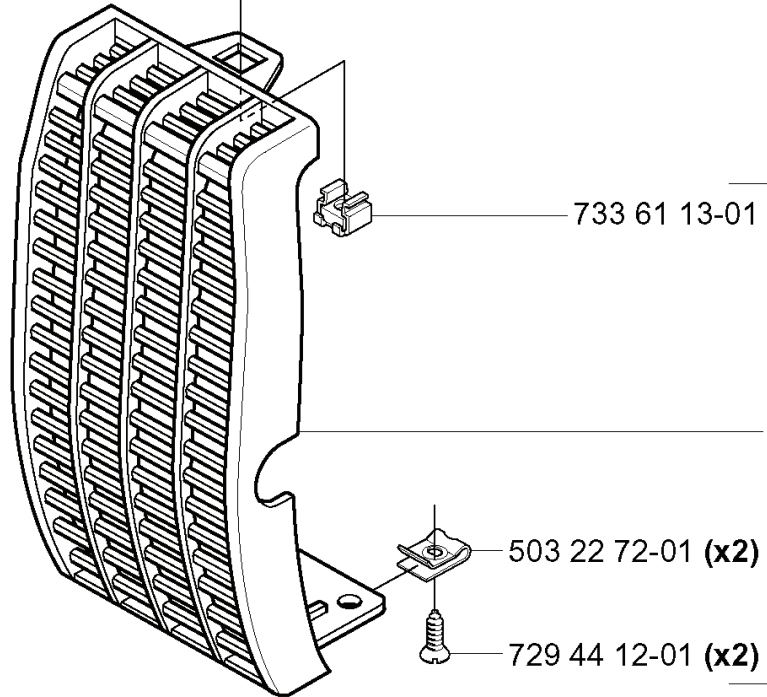
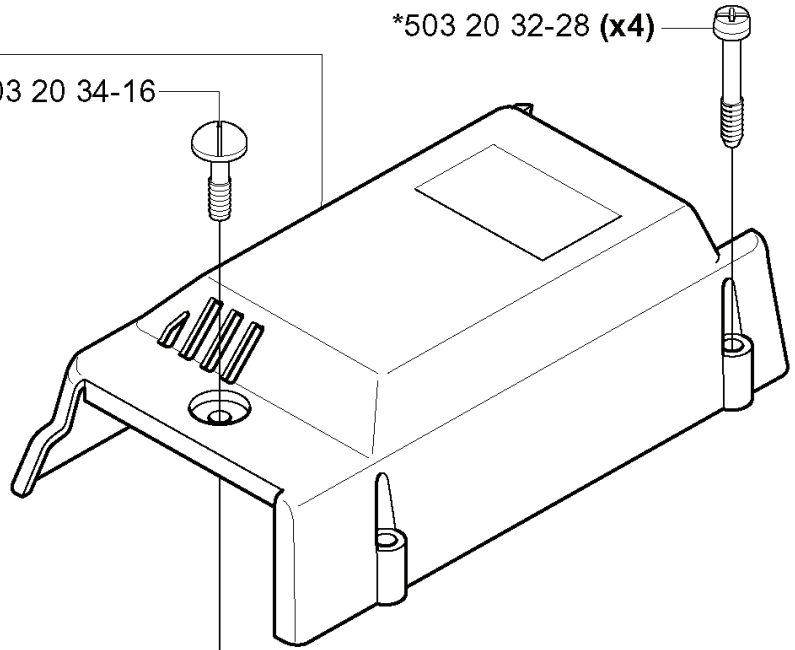
REF.	PART NO.	DESCRIPTION	REMARK	QTY.	KIT
502 00 97-02	502009702	STARTER THROTTLE LOCK		1	
723 12 22-55	723122255	SCREW SLCHM		1	
735 11 24-51	735112451	SPRING WASHER		1	
502 03 80-01	502038001	BUSHING		1	
725 53 70-01	725537001	SCREW IHSCM		4	
503 23 30-02	503233002	WASHER		4	
502 26 75-01	502267501	SPACER RING		1	
738 21 04-14	738210414	BALL BEARING		1	
725 53 74-55	725537455	SCREW IHSCM		2	
502 00 12-03	502001203	CLUTCH COVER ASSY		1	
728 83 67-05	728836705	SCREW IHSETM		1	
537 09 95-02	537099502	CLUTCH ASSY		1	
723 53 66-01	723536601	SCREW SLCSFM		2	
502 00 70-01	502007001	BEARING BUSH		1	
502 00 96-01	502009601	WASHER		1	
502 26 97-01	502269701	SPACER		1	
502 26 72-01	502267201	CLUTCH DRUM ASSY		1	
503 74 43-01	503744301	CLUTCH SPRING		3	
537 09 77-01	537097701	CLUTCH SHOE		1	
501 30 13-01	501301301	WASHER		1	
502 03 82-01	502038201	THROTTLE LEVER		1	
502 03 84-01	502038401	SPRING		1	
502 03 83-01	502038301	SPRING RETAINER		1	
502 01 98-01	502019801	SPRING PIN		1	
502 00 72-01	502007201	SPRING		1	
503 21 28-06	503212806	SCREW CCRPANT		1	
502 27 15-01	502271501	DECAL		1	

E

*compl 502 00 25-03

503 20 34-16

*503 20 32-28 (x4)



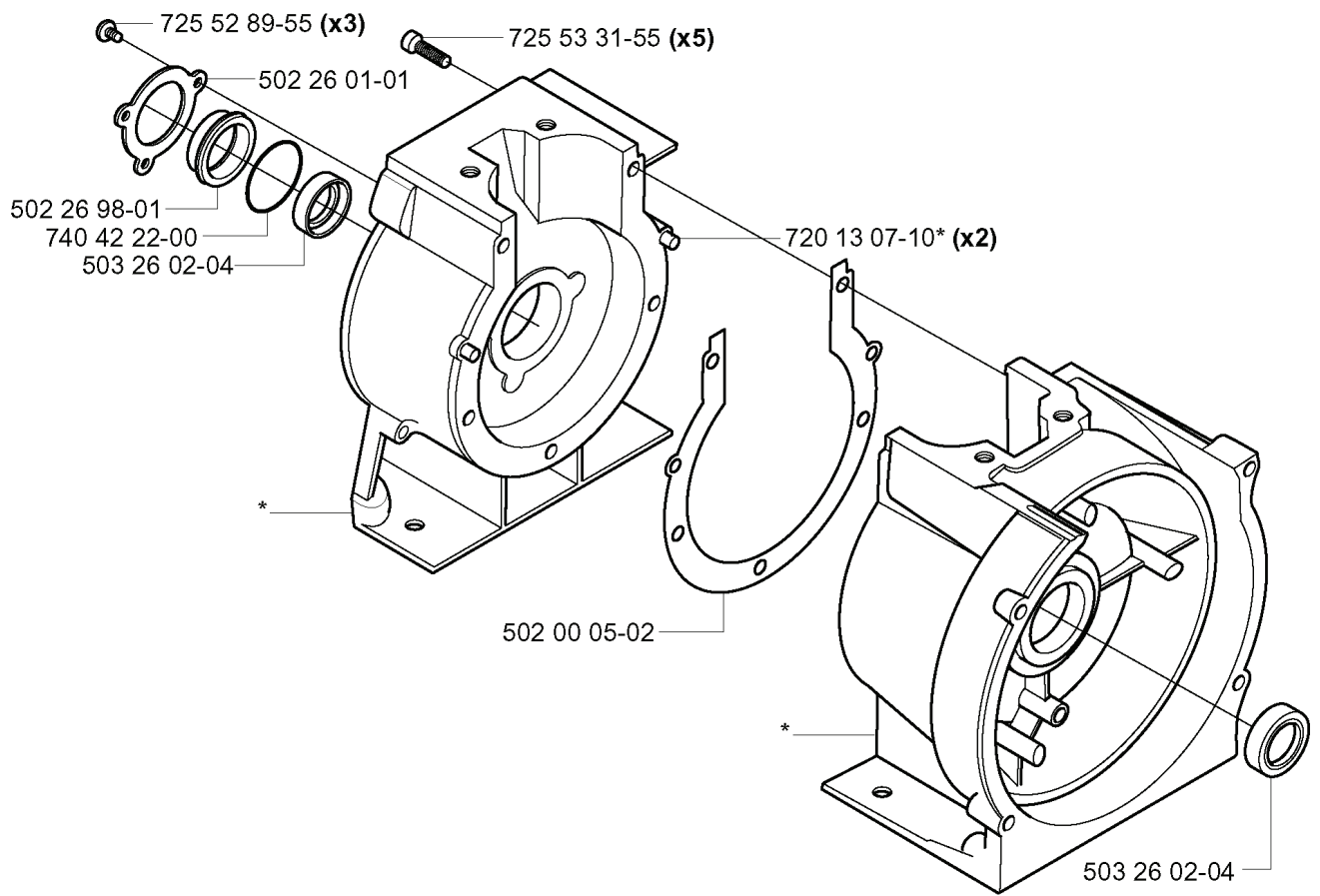
H L 502 27 16-01

*compl 502 10 64-04

 **265RX** 537 35 67-01

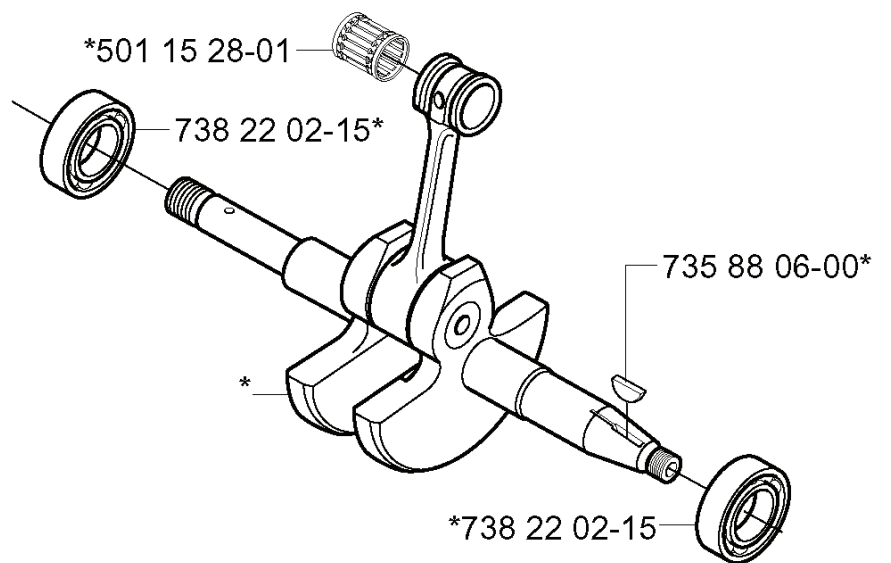
REF.	PART NO.	DESCRIPTION	REMARK	QTY.	KIT
502 00 25-03	502002503	CYLINDER COVER ASSY		1	
503 20 34-16	503203416	SCREW CCRPANMO		1	
502 27 16-01	502271601	DECAL		1	
537 35 67-01	537356701	LABEL		1	
502 10 64-04	502106404	HEAT PROTECTOR		1	
729 44 12-01	729441201	SCREW SLCRSRT		2	
503 22 72-01	503227201	SPEED NUT		2	
733 61 13-01	733611301	CAGE NUT		1	
503 20 32-28	503203228	SCREW		4	

N *compl 502 00 20-01



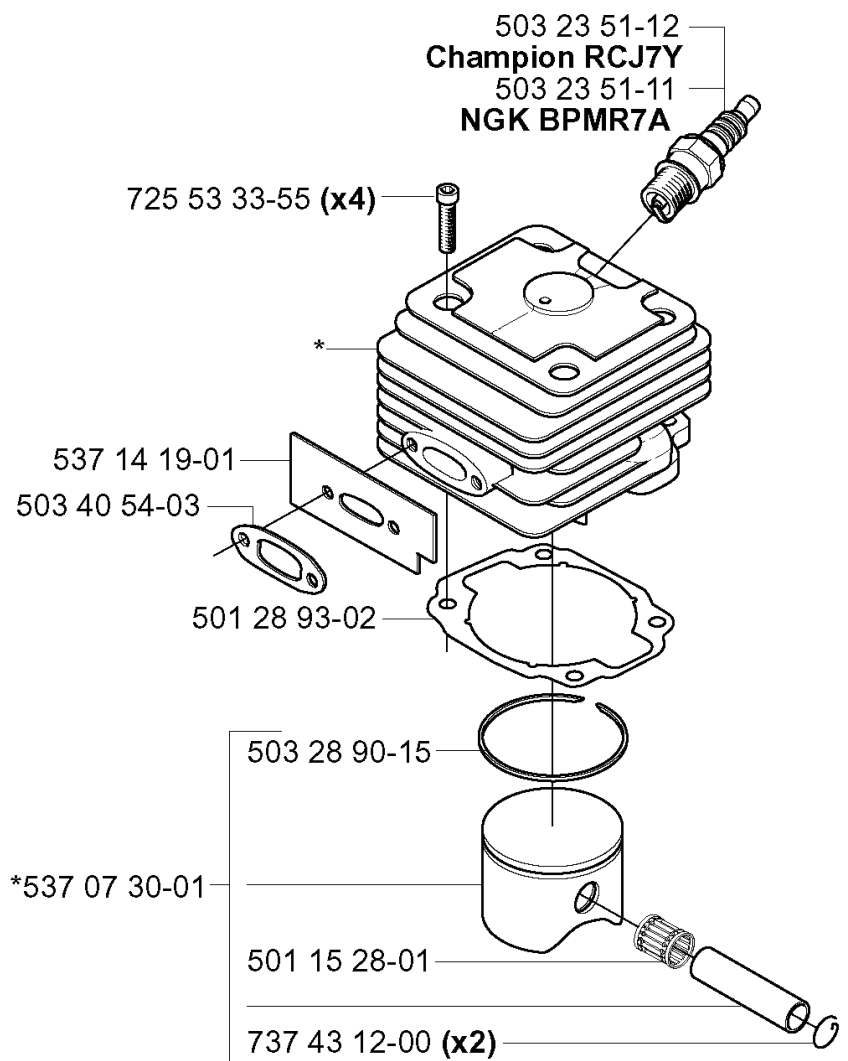
REF.	PART NO.	DESCRIPTION	REMARK	QTY.	KIT
502 00 20-01	502002001	CRANKCASE		1	
725 52 89-55	725528955	SCREW IHSCM		3	
502 26 01-01	502260101	BEARING CAGE		1	
502 26 98-01	502269801	SEALING RING HOLDER		1	
740 42 22-00	740422200	O-RING		1	
502 00 05-02	502000502	CRANKCASE		1	
725 53 31-55	725533155	SCREW IHSCM		5	
720 13 07-10	720130710	PARALLEL PIN		2	
503 26 02-04	503260204	SEALING RING		1	

P *compl 503 88 50-72



REF.	PART NO.	DESCRIPTION	REMARK	QTY.	KIT
503 88 50-72	503885072	CRANKSHAFT		1	
501 15 28-01	501152801	NEEDLE BEARING		1	
738 22 02-15	738220215	BALL BEARING		1	
735 88 06-00	735880600	WOODRUFF KEY		1	

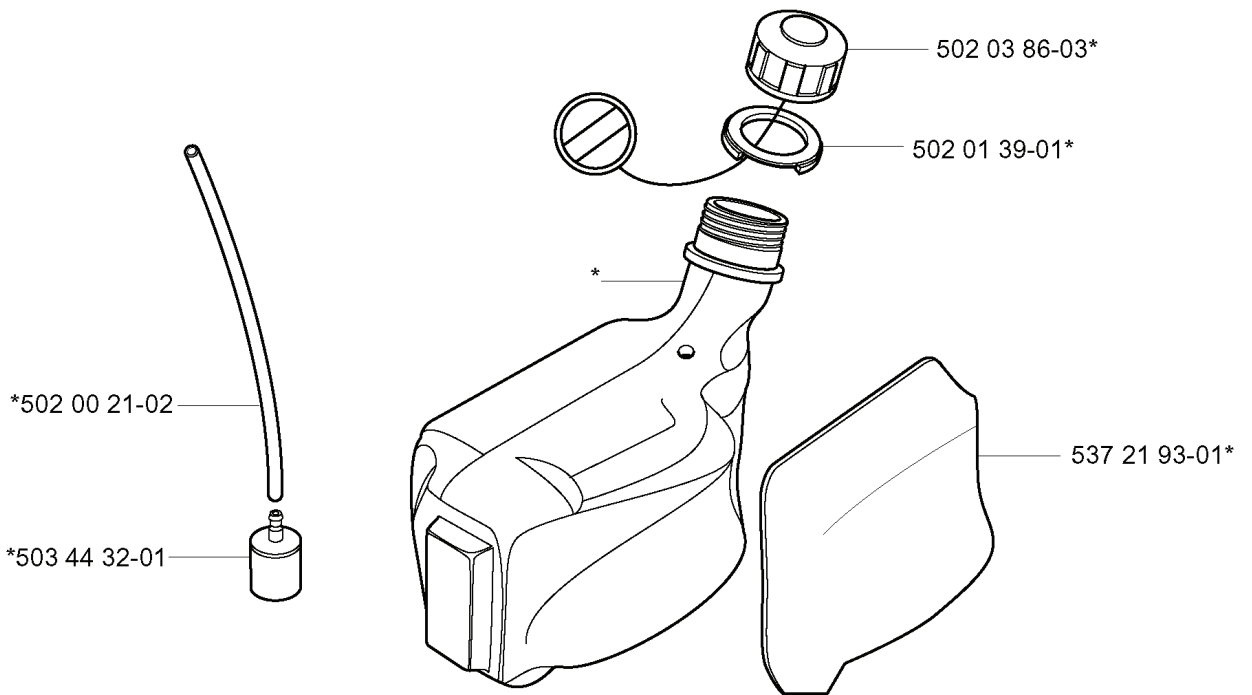
M *compl 502 25 80-02



REF.	PART NO.	DESCRIPTION	REMARK	QTY.	KIT
502 25 80-02	502258002	CYLINDER ASSY		1	
725 53 33-55	725533355	SCREW IHSCM		4	
537 14 19-01	537141901	BAFFLE PLATE		1	
503 40 54-03	503405403	GASKET MUFFLER		1	
537 07 30-01	537073001	PISTON ASSY		1	
737 43 12-00	737431200	SNAP RING		2	
501 15 28-01	501152801	NEEDLE BEARING		1	
503 28 90-15	503289015	PISTON RING		1	
501 28 93-02	501289302	GASKET		1	
503 23 51-11	503235111	SPARK PLUG	NGK BPMR7A	1	
503 23 51-12	503235112	SPARK PLUG	CHAMPION RCJ7Y	1	

J

*compl 502 00 16-05

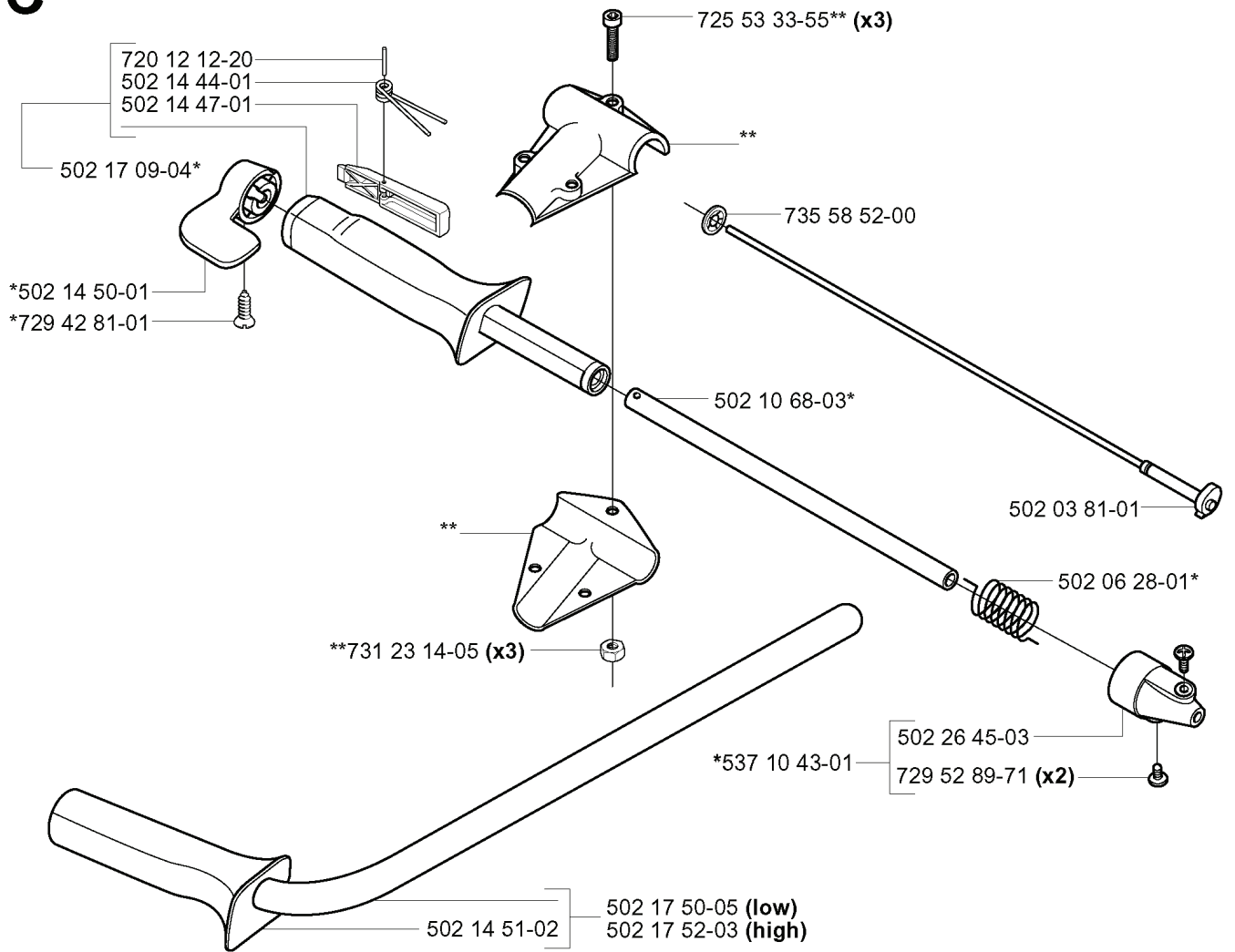


REF.	PART NO.	DESCRIPTION	REMARK	QTY.	KIT
502 00 16-05	502001605	FUEL TANK ASSY		1	
502 00 21-02	502002102	FUEL HOSE		1	
503 44 32-01	503443201	FUEL FILTER		1	
537 21 93-01	537219301	HEAT PROTECTOR		1	
502 01 39-01	502013901	GROMMET		1	
502 03 86-03	502038603	TANK CAP ASSY		1	

C

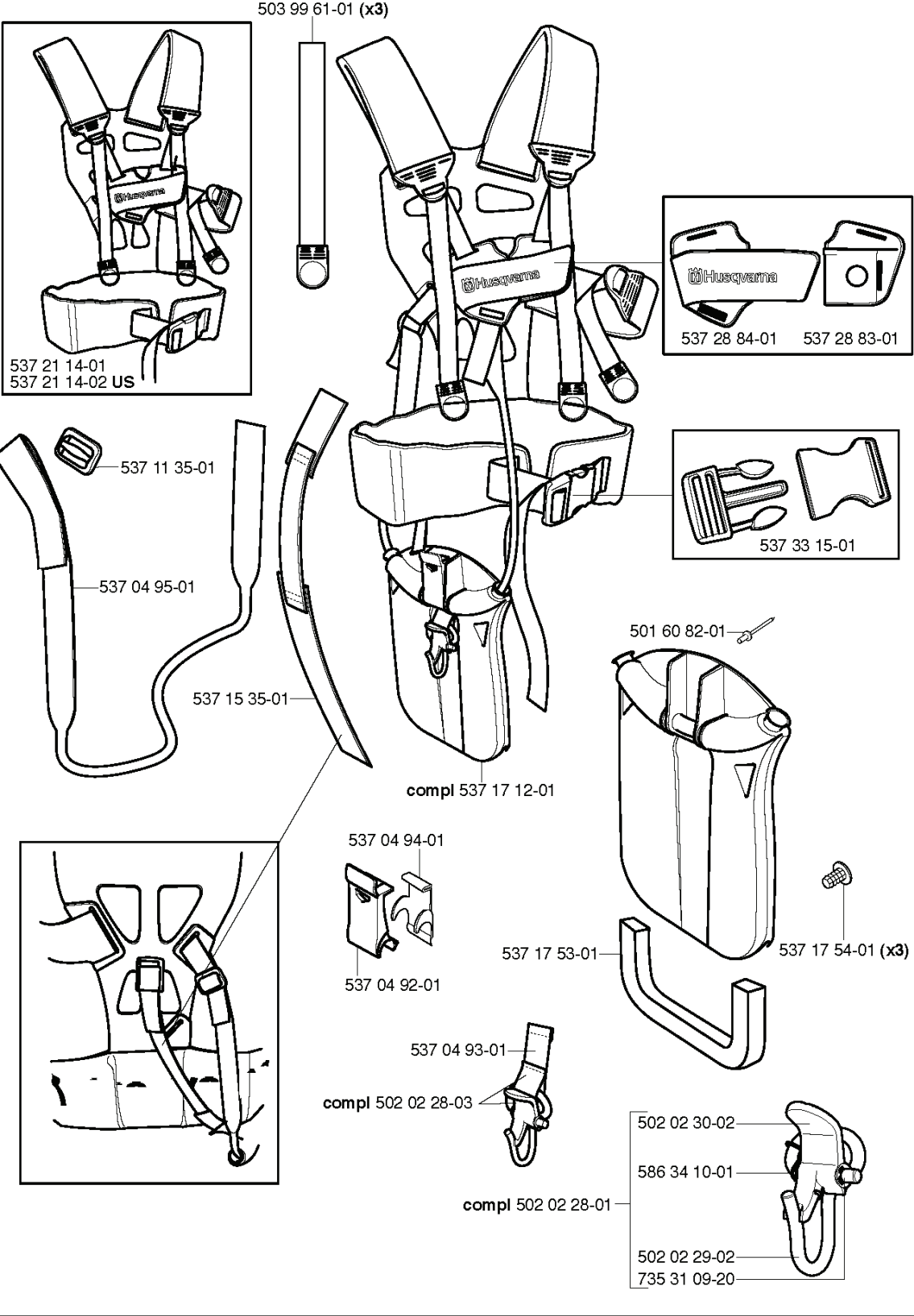
*compl 502 14 45-04

**compl 502 07 10-04



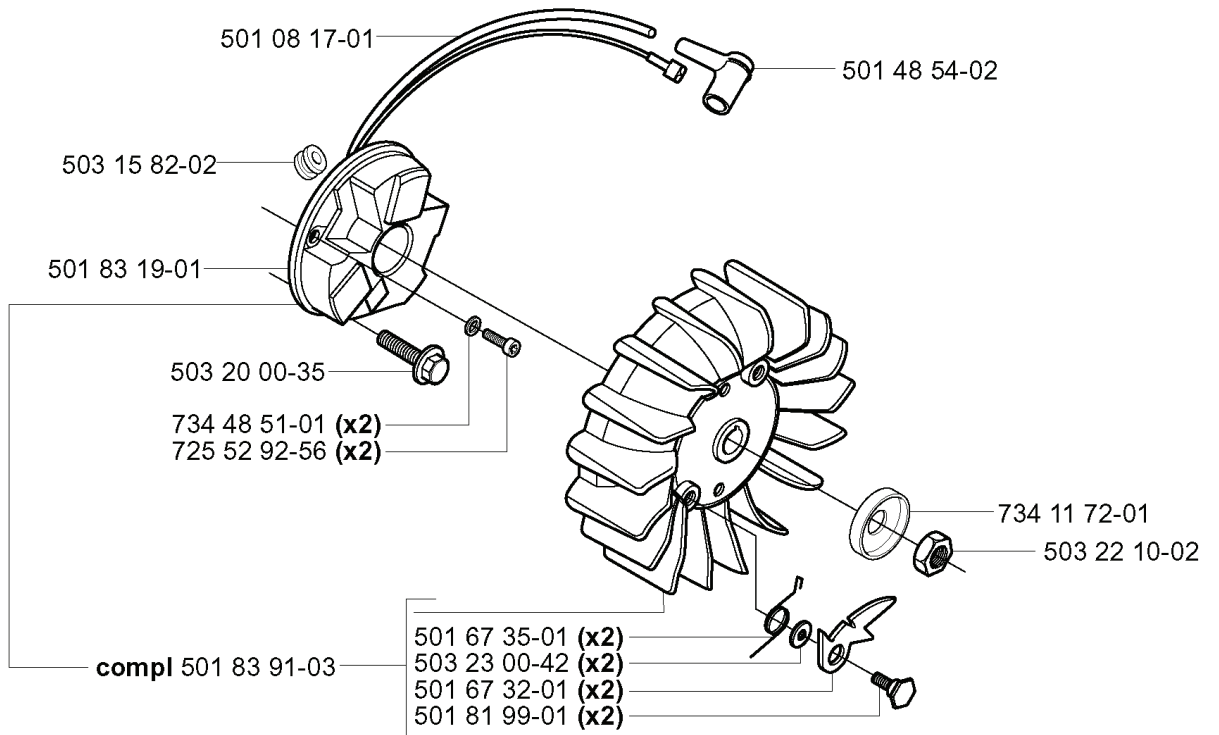
REF.	PART NO.	DESCRIPTION	REMARK	QTY.	KIT
502 14 45-04	502144504	HANDLE ASSY		1	
720 12 12-20	720121220	PARALLEL PIN		1	
502 14 44-01	502144401	SPRING		1	
502 14 47-01	502144701	THROTTLE LOCKOUT		1	
502 17 09-04	502170904	HANDLEBAR RIGHT		1	
502 14 50-01	502145001	THROTTLE TRIGGER		1	
729 42 81-01	729428101	SCREW SLCSRT		1	
731 23 14-05	731231405	HEXAGON NUT		3	
502 14 51-02	502145102	HANDLE		1	
502 17 52-03	502175203	HANDLEBAR	HIGH	1	
502 17 50-05	502175005	HANDLEBAR LEFT	LOW	1	
537 10 43-01	537104301	SPRING GUIDE		1	
502 10 68-03	502106803	TUBULAR SHAFT		1	
735 58 52-00	735585200	WASHER		1	
725 53 33-55	725533355	SCREW IHSCM		3	
502 26 45-03	502264503	SPRING GUIDE		1	
729 52 89-71	729528971	SCREW CRPANT		2	
502 06 28-01	502062801	RECOIL SPRING		1	
502 03 81-01	502038101	SHAFT FLEXIBLE		1	
502 07 10-04	502071004	RETAINER		1	

U Trio Balance
 compl 531 00 92-08
 compl 531 00 92-09 US



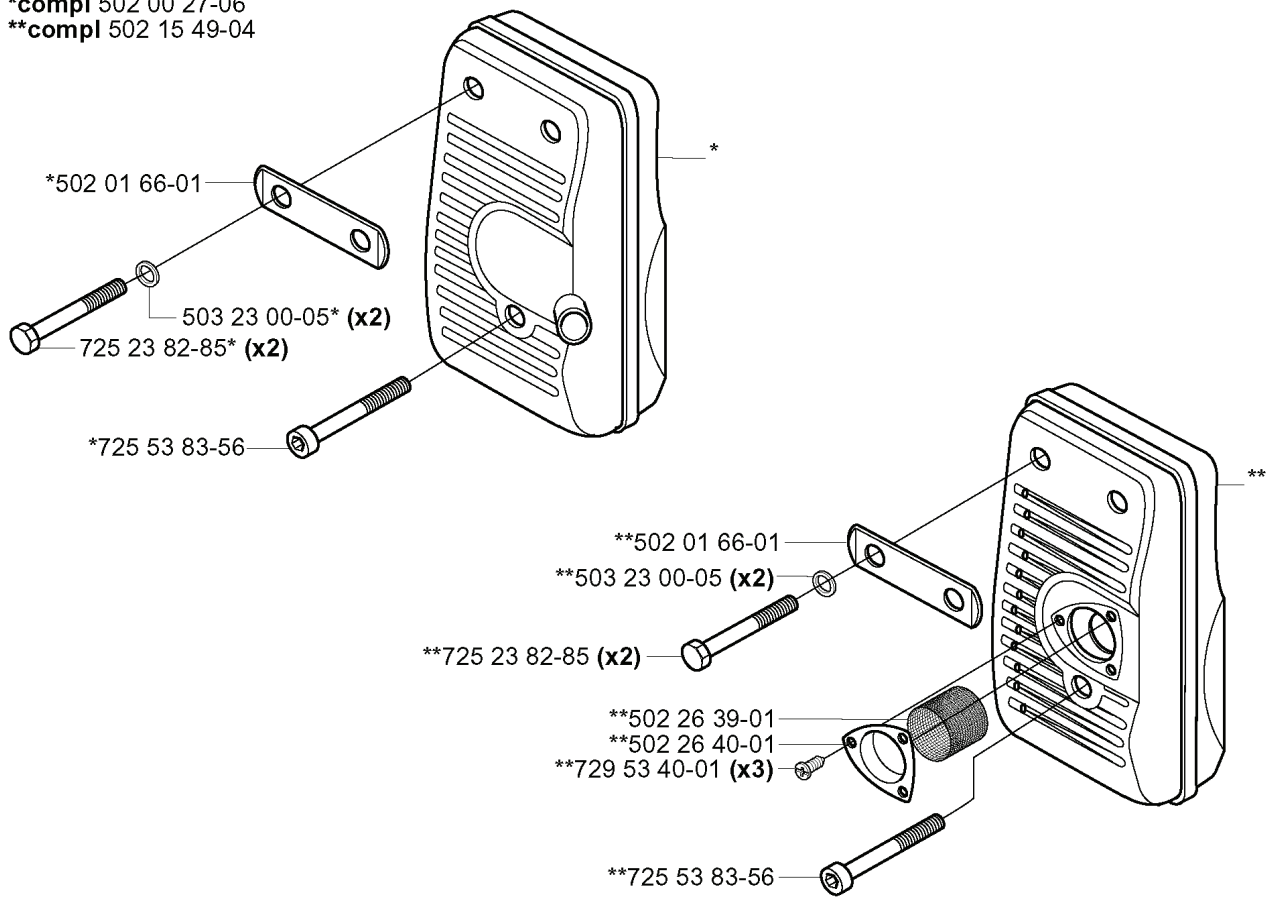
REF.	PART NO.	DESCRIPTION	REMARK	QTY.	KIT
531 00 92-08	531009208	HARNESS		1	
531 00 92-09	531009209	HARNESS	US	1	
537 21 14-01	537211401	HARNESS		1	
537 21 14-02	537211402	HARNESS	US	1	
537 11 35-01	537113501	RETAINER		1	
537 04 95-01	537049501	BAND		1	
537 15 35-01	537153501	STRAP		1	
502 02 28-03	502022803	WELT HOOK		1	
537 04 93-01	537049301	HIP PAD		1	
537 04 92-01	537049201	HIP PAD		1	
537 04 94-01	537049401	HIP PAD		1	
537 17 12-01	537171201	HIP PAD		1	
503 99 61-01	503996101	BAND		3	
501 60 82-01	501608201	RIVET		1	
537 17 53-01	537175301	HIP PAD		1	
502 02 28-01	502022801	HOOK		1	
735 31 09-20	735310920	E-CLIP		1	
502 02 29-02	502022902	HOOK		1	
586 34 10-01	586341001	SPRING		1	
502 02 30-02	502023002	LOCK		1	
537 17 54-01	537175401	HIP PAD		3	
537 33 15-01	537331501	BUCKLE		1	
537 28 84-01	537288401	BUCKLE		1	
537 28 83-01	537288301	BUCKLE		1	

K



REF.	PART NO.	DESCRIPTION	REMARK	QTY.	KIT
5010817-01	501081701	IGNITION CABLE		1	
5031582-02	503158202	CABLE GROMMET		1	
5018319-01	501831901	ANCHOR PLATE		1	
5032000-35	503200035	SCREW EHHFM		1	
7344851-01	734485101	WASHER		2	
7255292-56	725529256	SCREW		2	
5018391-03	501839103	FLYWHEEL		1	
5018199-01	501819901	SCREW		2	
5016732-01	501673201	PAWL		2	
5032300-42	503230042	WASHER		2	
5016735-01	501673501	SPRING		2	
5032210-02	503221002	HEXAGON NUT		1	
7341172-01	734117201	WASHER		1	
5014854-02	501485402	SPARK PLUG CAP		1	

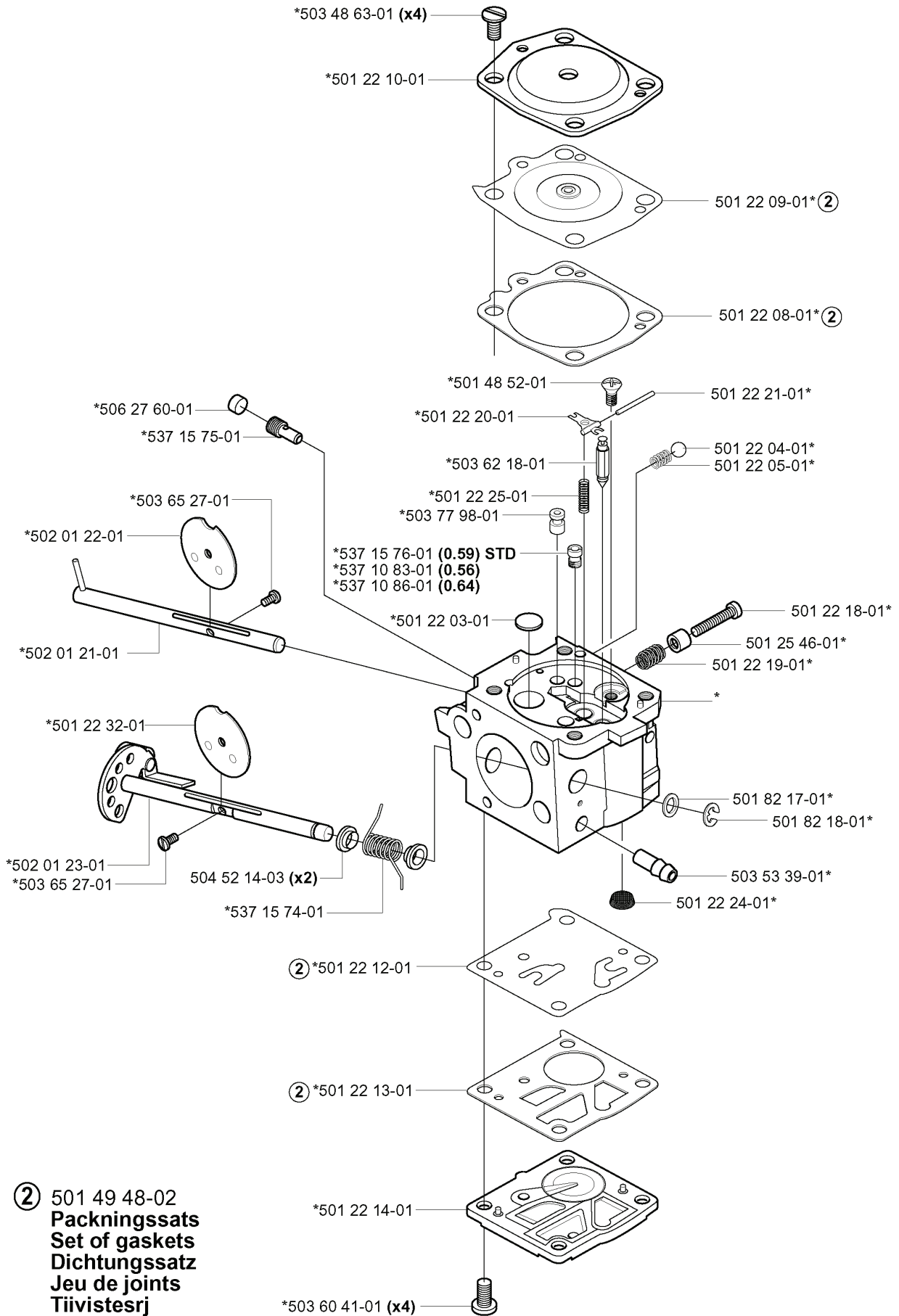
F *compl 502 00 27-06
**compl 502 15 49-04



REF.	PART NO.	DESCRIPTION	REMARK	QTY.	KIT
502 00 27-06	502002706	MUFFLER ASSY		1	
502 15 49-04	502154904	MUFFLER		1	
503 23 00-05	503230005	WASHER		2	
725 53 83-56	725538356	SCREW IHSCM		1	
729 53 40-01	729534001	SCREW CCRPANT		3	
502 26 40-01	502264001	HUB CAP		1	
502 26 39-01	502263901	SPARK ARRESTER		1	
725 23 82-85	725238285	SCREW EHHM		2	
502 01 66-01	502016601	LOCK PLATE		1	

Q

*compl 503 28 04-17 (EPA)

Tillotson HS 304 A

② 501 49 48-02
Packningssats
Set of gaskets
Dichtungssatz
Jeu de joints
Tiivistesrj

REF.	PART NO.	DESCRIPTION	REMARK	QTY.	KIT
503 28 04-17	503280417	CARBURETTOR	EPA	1	
506 27 60-01	506276001	PLUG		1	
537 15 75-01	537157501	IDLE MIXTURE JET		1	
503 65 27-01	503652701	SCREW SHUTTER		1	
502 01 22-01	502012201	VALVE		1	
502 01 21-01	502012101	CHOKE SHAFT		1	
501 22 32-01	501223201	PLATE		1	
502 01 23-01	502012301	THROTTLE SH.&LEVER		1	
503 60 41-01	503604101	SCREW		4	
501 22 14-01	501221401	COVER		1	
501 22 13-01	501221301	GASKET	501 49 48-02 SET OF GASKETS	1	
501 22 12-01	501221201	DIAGRAM	501 49 48-02 SET OF GASKETS	1	
537 15 74-01	537157401	SPRING		1	
504 52 14-03	504521403	THRO.RETU.SPR.SLEEVE		2	
503 48 63-01	503486301	SCREW		4	
501 22 10-01	501221001	COVER		1	
501 48 52-01	501485201	SCREW		1	
501 22 20-01	501222001	LEVER		1	
503 62 18-01	503621801	NEEDLE		1	
501 22 25-01	501222501	SPRING		1	
503 77 98-01	503779801	CHECKVALVE ASSY		1	
537 15 76-01	537157601	JET	0.59 STD	1	
537 10 83-01	537108301	JET	0.56	1	
537 10 86-01	537108601	JET	0.64	1	
501 22 03-01	501220301	PLUG		1	
501 22 24-01	501222401	SCREEN		1	
503 53 39-01	503533901	TUBE CONNECTOR		1	
501 82 18-01	501821801	THROTTLE SH.'E'RING		1	
501 82 17-01	501821701	WASHER		1	
501 22 19-01	501221901	IDLE SPEED SCREW		1	
501 25 46-01	501254601	BUSHING		1	
501 22 18-01	501221801	IDLE SPEED SCREW		1	
501 22 05-01	501220501	SPRING		1	
501 22 04-01	501220401	BALL		1	
501 22 21-01	501222101	PIN		1	
501 22 08-01	501220801	GASKET	501 49 48-02 SET OF GASKETS	1	
501 22 09-01	501220901	DIAPHRAGM	501 49 48-02 SET OF GASKETS	1	

B

502 25 25-02

537 01 40-05

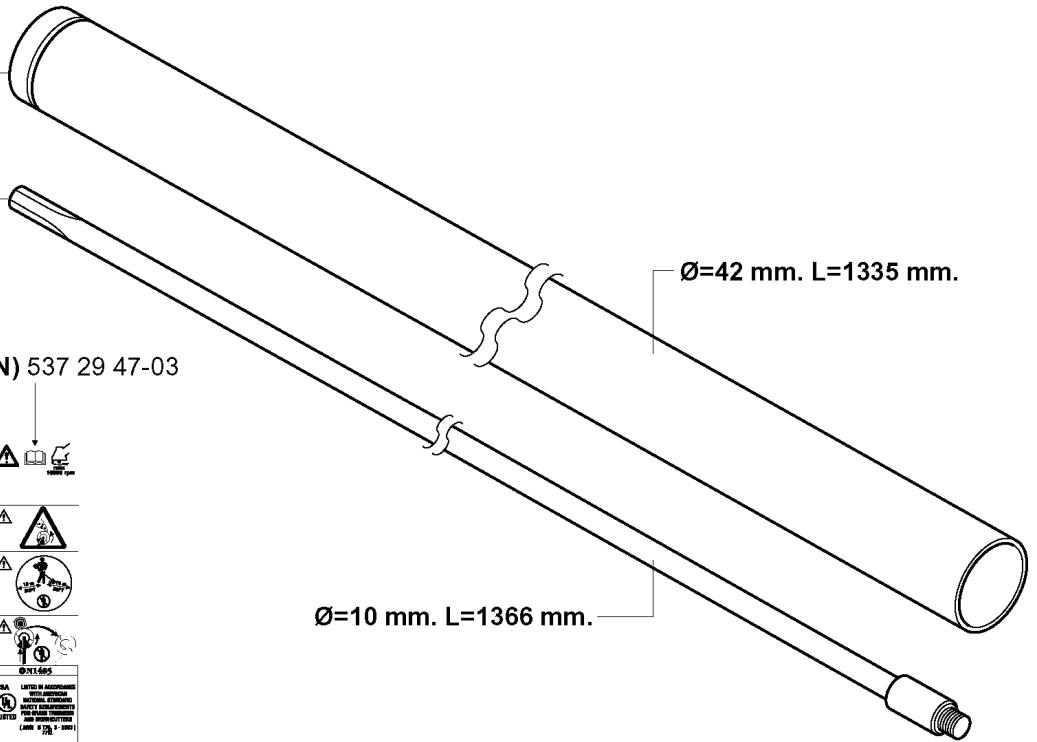
Ø=42 mm. L=1335 mm.

537 29 47-06

(U.S. CAN) 537 29 47-03

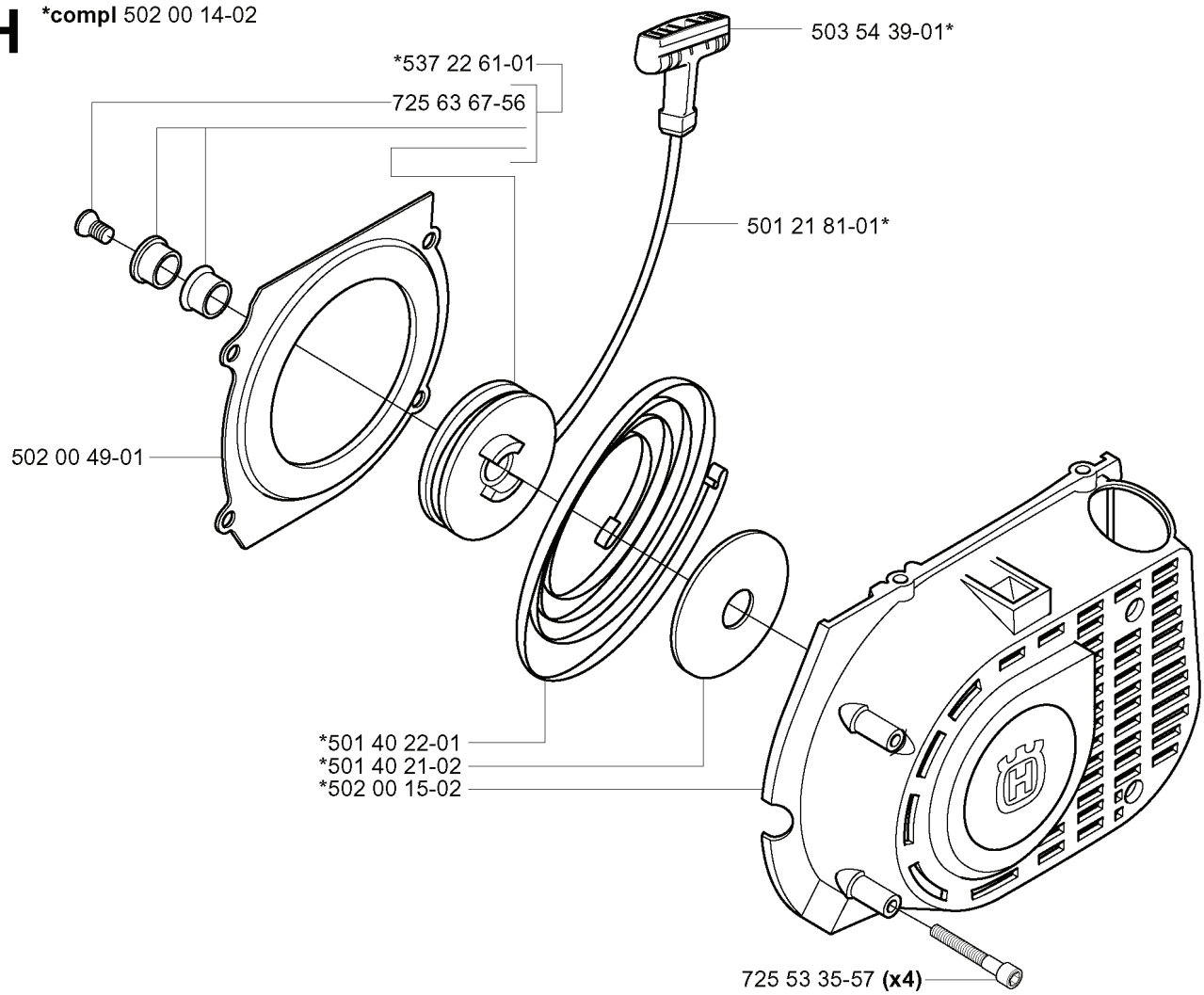


Ø=10 mm. L=1366 mm.



REF.	PART NO.	DESCRIPTION	REMARK	QTY.	KIT
502 25 25-02	502252502	TUBE ASSY		1	
537 01 40-05	537014005	DRIVE SHAFT ASSY		1	
537 29 47-06	537294706	LABEL		1	
537 29 47-03	537294703	LABEL	U.S. CAN	1	

H *compl 502 00 14-02



REF.	PART NO.	DESCRIPTION	REMARK	QTY.	KIT
502 00 14-02	502001402	STARTER ASSY		1	
502 00 49-01	502004901	SPACING PLATE		1	
502 00 15-02	502001502	STARTER HOUSING		1	
501 40 21-02	501402102	DAMPER		1	
501 40 22-01	501402201	RECOIL SPRING		1	
725 63 67-56	725636756	SCREW IHCSFM		1	
537 22 61-01	537226101	BEARING KIT		1	
725 53 35-57	725533557	SCREW IHSCM		4	
501 21 81-01	501218101	STARTER ROPE ASSY		1	
503 54 39-01	503543901	STARTER HANDLE		1	