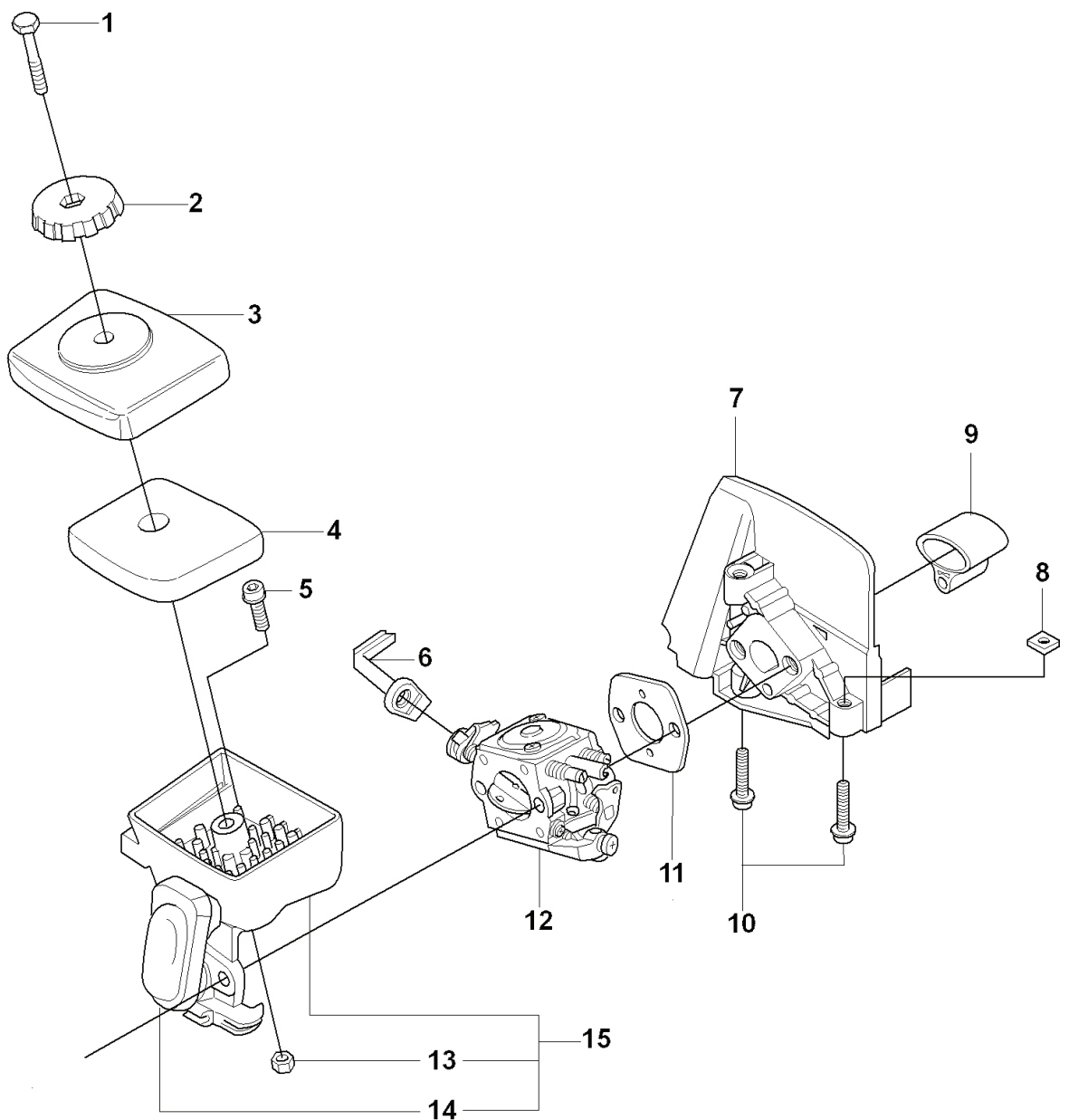


323 C, 20080900001-Current

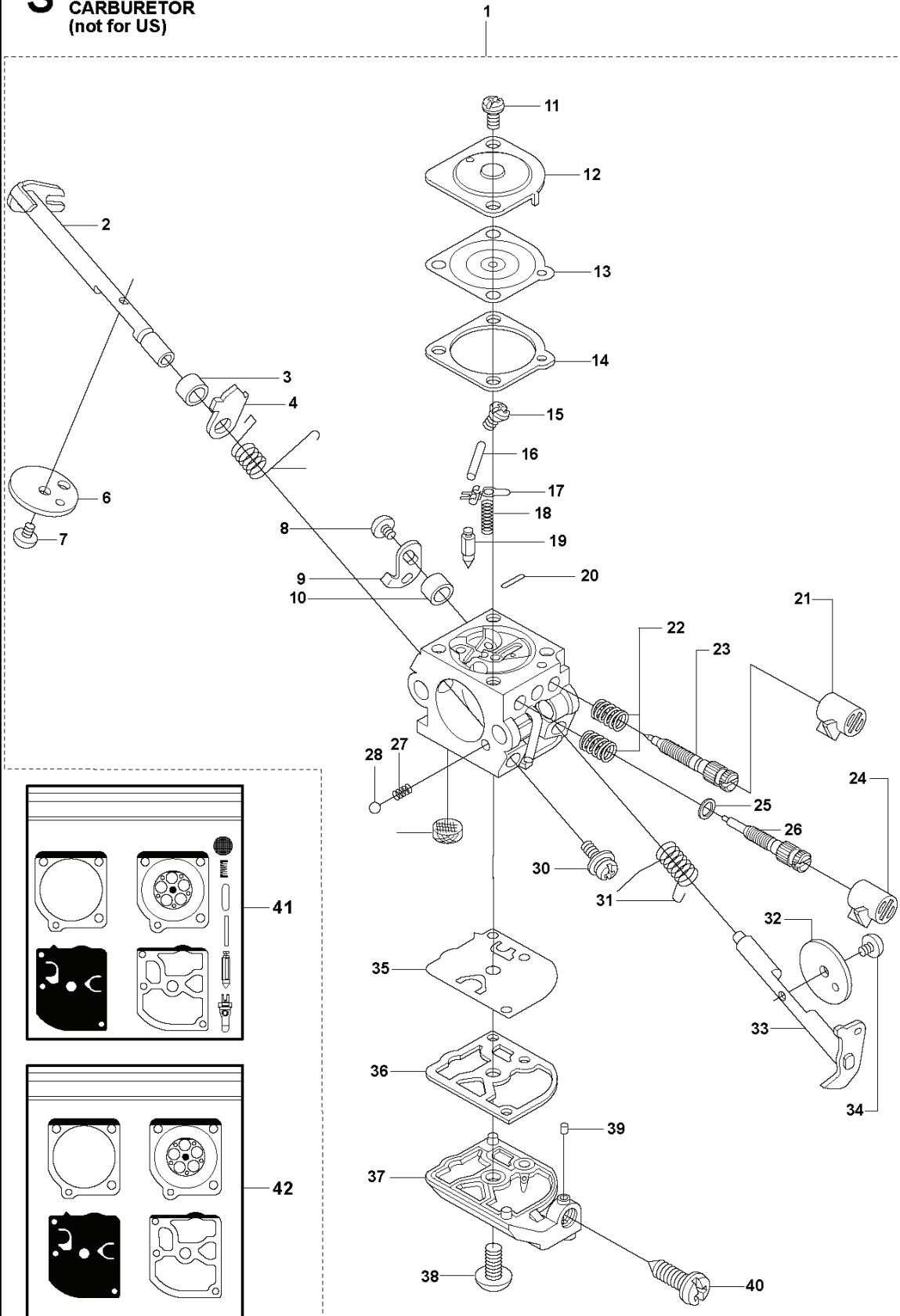
SPARE PARTS LIST

J 323C, L, LD, R, RJ, 325CX, Lx, LDx, Rx, RJx
CARBURETOR & AIRFILTER



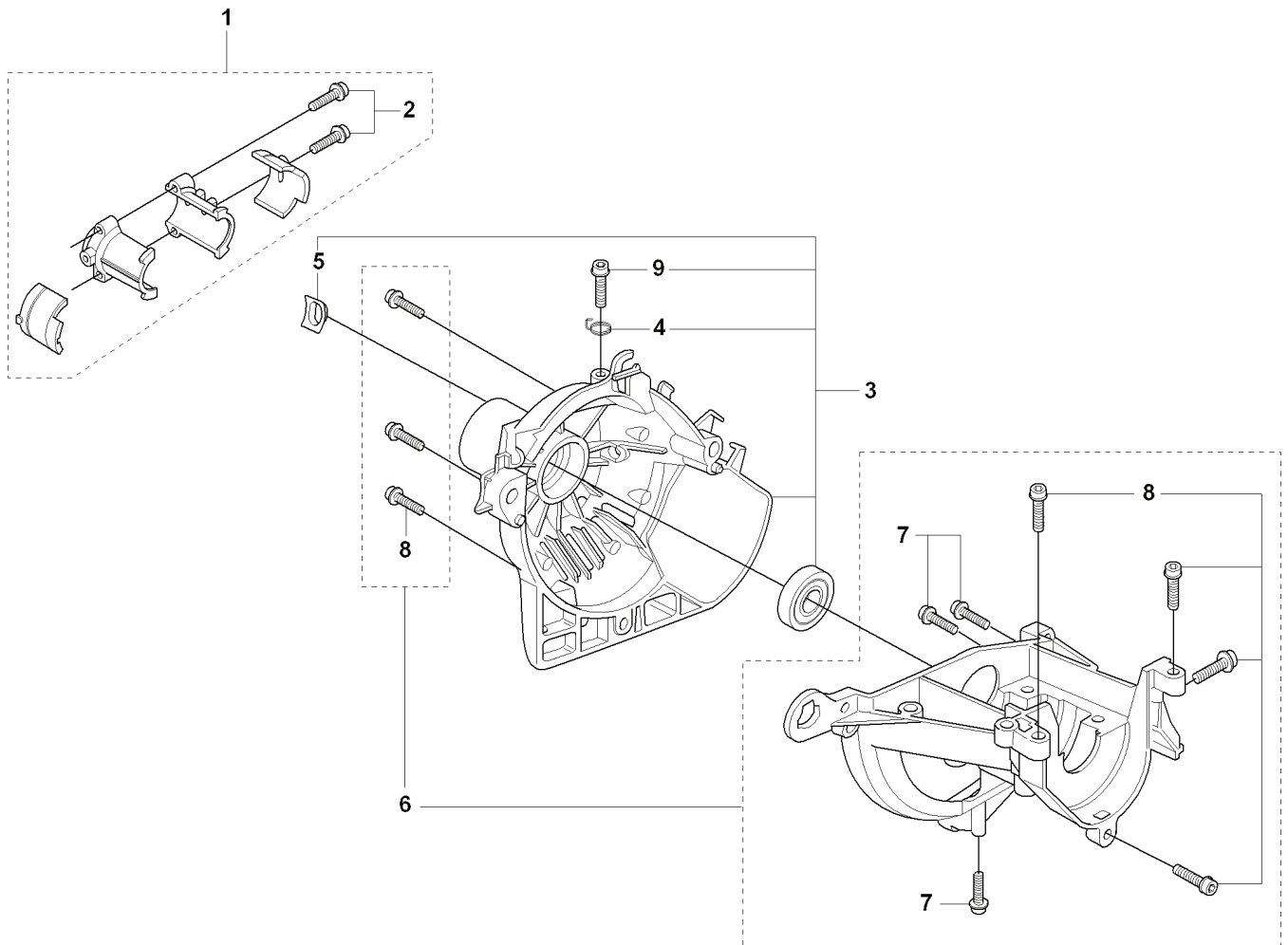
REF.	PART NO.	DESCRIPTION	REMARK	QTY.	KIT
1	502206503	SCREW EHHM		1	
2	502204001	KNOB		1	
3	503888002	FILTER COVER		1	
4	537186301	AIR FILTER		1	
5	503217516	SCREW IHSCFT		1	
6	503962501	CHOKE CONTROL		1	
7	503910901	INSULATION WALL		1	
8	503226504	SQUARE NUT		2	
9	503942601	INLET PIPE		1	
10	503200325	SCREW IHSCFM		2	
11	503497101	GASKET		1	
12	503283401	CARBURETTOR	Zama C1Q-EL24. NOT FOR US	1	
12	576019801	CARBURETTOR	Hualong HQ-2, only option for US	1	
13	731231401	HEXAGON NUT		1	15
14	503887901	HUB CAP		1	15
15	503890301	FILTER HOLDER		1	

S 323C, L, LD, R, RJ, 325CX, Lx, LDx, Rx, RJx
CARBURETOR
 (not for US)



REF.	PART NO.	DESCRIPTION	REMARK	QTY.	KIT
1	503283401	CARBURETTOR		0	
2	537370301	VALVE		1	1
3	503481901	COLLAR		1	1
4	537049001	LEVER		1	1
5	537021001	SPRING		1	1
6	537370301	VALVE		1	1
7	503481801	SCREW		1	1
8	503479001	SCREW		1	1
9	537019801	LEVER		1	1
10	503478901	COLLAR		1	1
11	503480501	SCREW		2	1
12	503974301	COVER		1	1
13	537048901	DIAPHRAGM		1	1, 41, 42
14	537020401	GASKET		1	1, 41, 42
15	503480101	SCREW		1	1
16	503480001	PIN RETAINING SCREW		1	1.41
17	503665901	LEVER		1	1.41
18	537020301	SPRING		1	1.41
19	503479701	VALVE		1	1.41
20	537020801	PLUG		1	1.41
21	537021601	LIMITER CAP		1	1
22	503480801	SPRING		1	1
23	537127801	SCREW		1	1
24	537021601	LIMITER CAP		1	1
25	503974001	WASHER		1	1
26	537020601	SCREW		1	1
27	537012601	SPRING		1	1
28	537012501	BALL		1	1
29	503535701	STRAINER		1	1.41
30	503755301	SCREW		1	1
31	537019701	SPRING		1	1
32	537019901	VALVE		1	1
33	537019601	SHAFT ASSY		1	1
34	503479201	SCREW		1	1
35	537020001	DIAPHRAGM PUMP		1	1, 41, 42
36	537020101	GASKET		1	1, 41, 42
37	537020201	COVER		1	1
38	503479601	SCREW		1	1
39	503481101	PIECE		1	1
40	537020701	SCREW		1	1
41	531004553	GASKET KIT		1	
42	531004552	GASKET KIT		1	

P 326
CRANK CASE

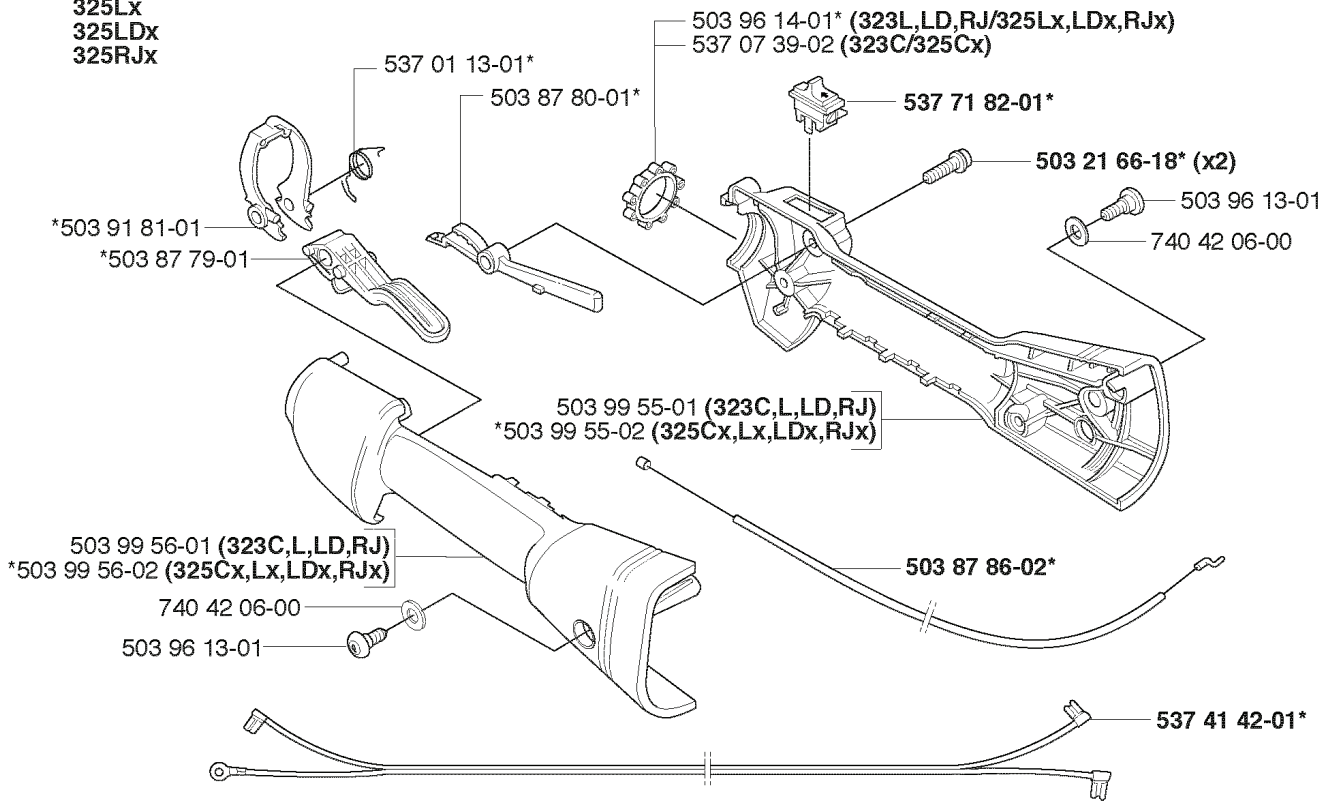


REF.	PART NO.	DESCRIPTION	REMARK	QTY.	KIT
1	537309601	SLEEVE		1	
2	503216825	SCREW IHSCFT		2	1
3	537041207	CLUTCH COVER		1	
4	537073601	SPRING		1	3
5	537425001	PROTECTIVE PLATE		1	3
6	537041103	CRANKCASE		1	
7	503216618	SCREW IHSCFT		3	6
8	503200316	SCREW IHSCFM		7	6
9	503200316	SCREW IHSCFM		1	3

F

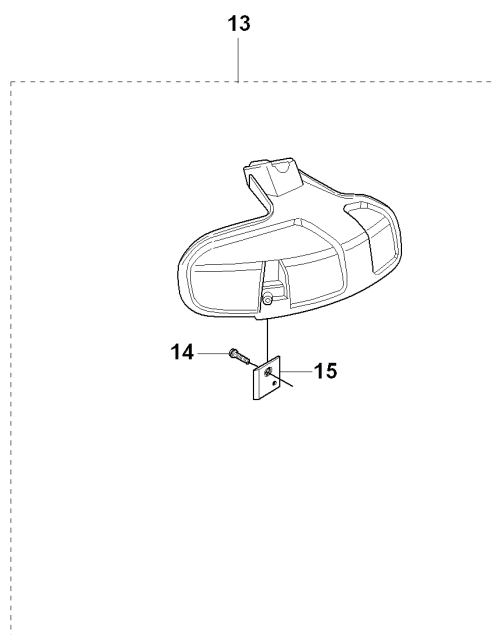
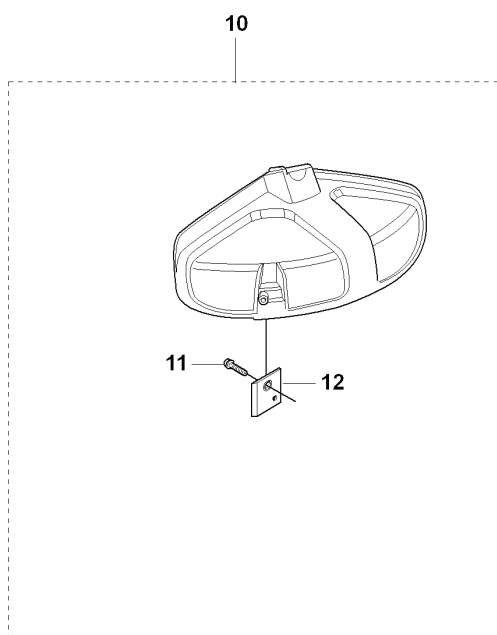
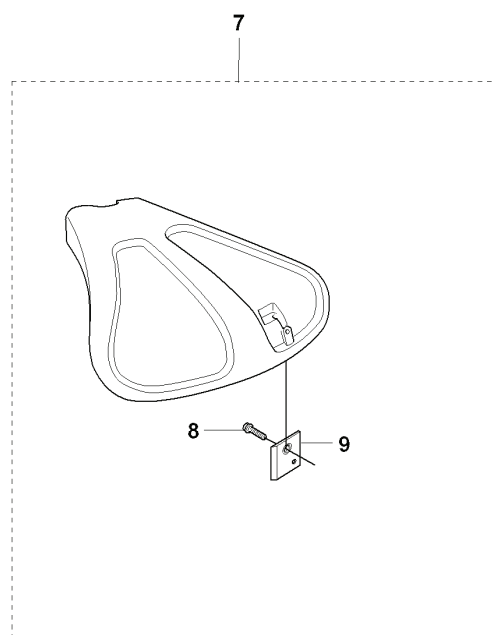
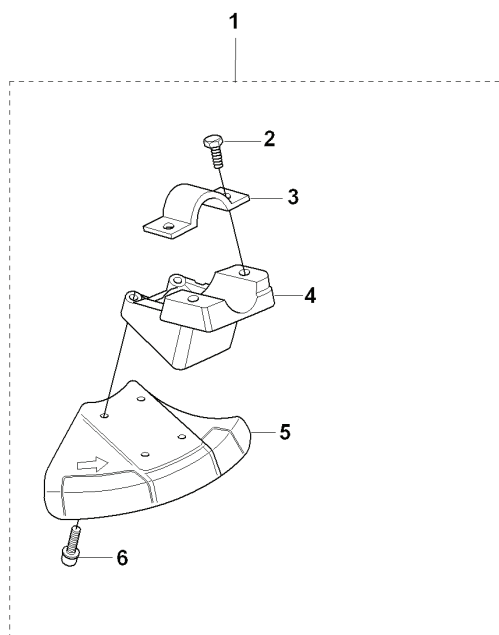
323C
323L
323LD
323RJ
325Cx
325Lx
325LDx
325RJx

*compl 537 44 38-02



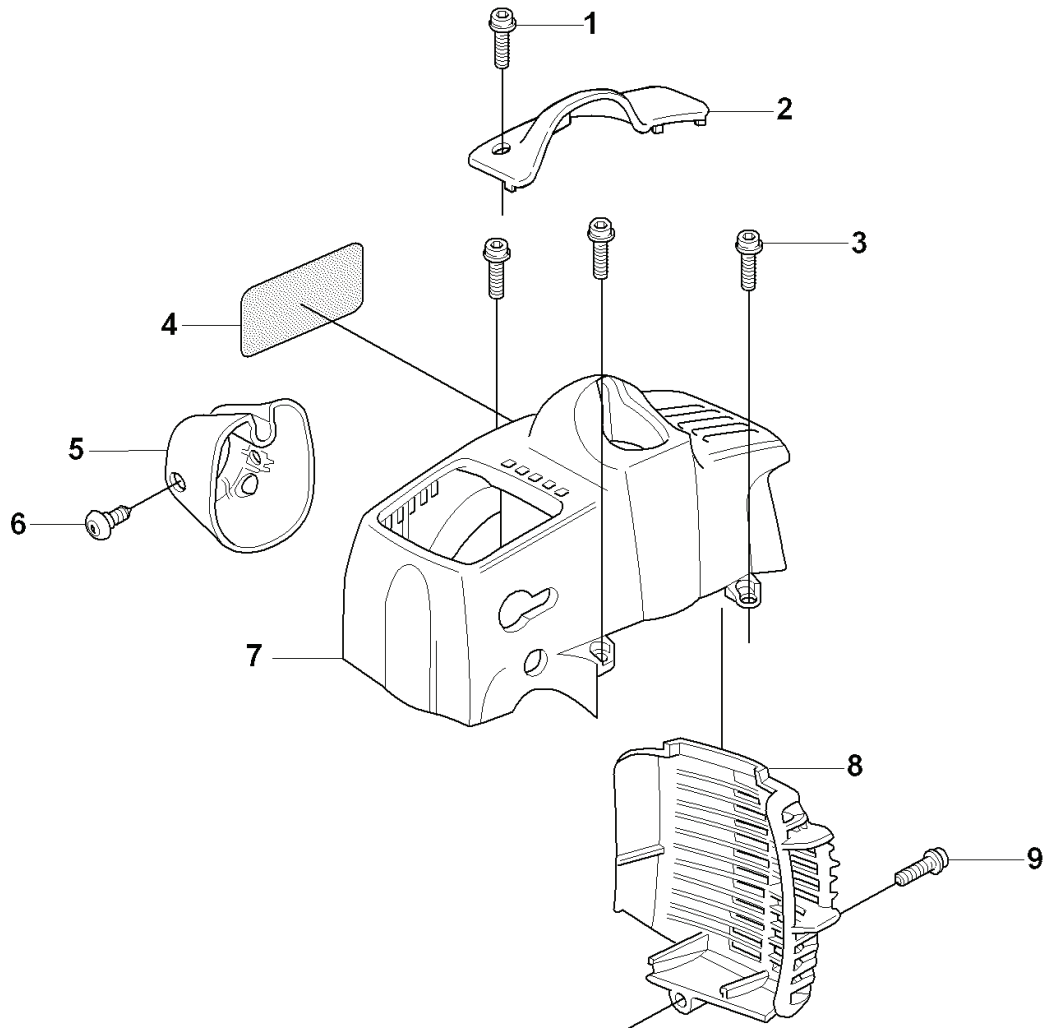
REF.	PART NO.	DESCRIPTION	REMARK	QTY.	KIT
537 44 38-02	537443802	HANDLE		1	
503 91 81-01	503918101	THROTTLE LEVER		1	
503 87 79-01	503877901	THROTTLE TRIGGER		1	
503 99 56-01	503995601	HANDLE HALF		1	
503 99 56-02	503995602	HANDLE HALF		1	
740 42 06-00	740420600	O-RING		1	
503 96 13-01	503961301	SCREW		1	
537 01 13-01	537011301	RECOIL SPRING		1	
503 87 80-01	503878001	THROTTLE LOCKOUT		1	
503 99 55-01	503995501	HANDLE HALF		1	
503 99 55-02	503995502	HANDLE HALF		1	
503 96 14-01	503961401	ABSORBER		1	
537 07 39-02	537073902	ANTIVIBRATION ELEMENT		1	
503 21 66-18	503216618	SCREW IHSCT		2	
503 87 86-02	503878602	THROTTLE CABLE ASSY		1	
537 41 42-01	537414201	SHORT CIRCUIT CABLE		1	

R 323C, L, LD, R, RJ, 325CX, Lx, LDx, Rx, RJx
ACCESSORIES



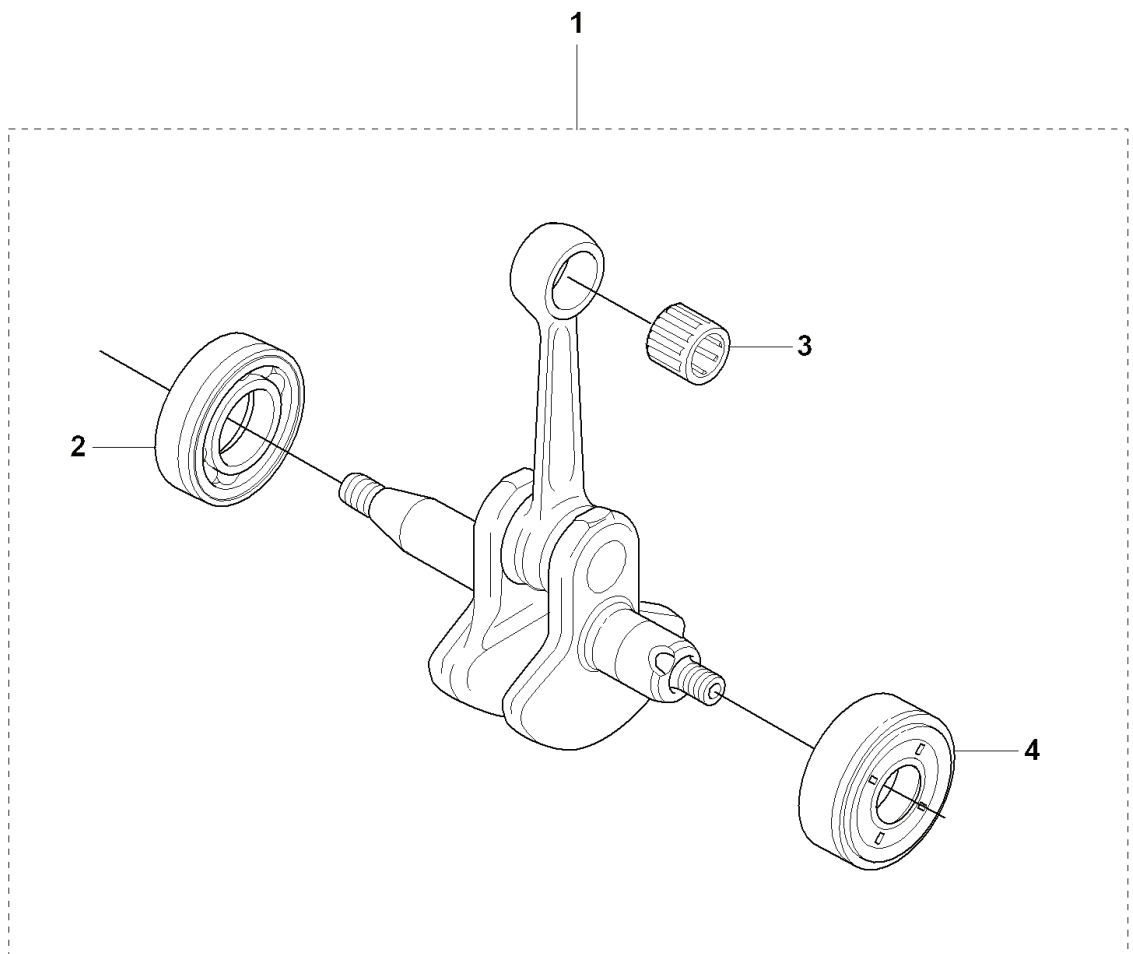
REF.	PART NO.	DESCRIPTION	REMARK	QTY.	KIT
1	537299501	SAW BLADE GUARD		1	
2	725236871	SCREW EHHM		2	1
3	537047501	CLAMP		1	1
4	537293401	ADAPTER		1	1
5	502272201	SAW BLADE GUARD		1	1
6	503217516	SCREW IHSCFT		4	1
7	537076701	TRIMMER GUARD		1	
8	503210716	SCREW IHSCFT		1	7
9	503798801	BLADE		1	7
10	503934202	COMBINATION GUARD		1	
11	503210716	SCREW IHSCFT		1	10
12	503798801	BLADE		1	10
13	503977101	TRIMMER GUARD ASSY		1	
14	503210716	SCREW IHSCFT		1	13
15	503798801	BLADE		1	13

H 323C, L, LD, R, RJ, 325CX, Lx, LDx, Rx, RJx
COVER



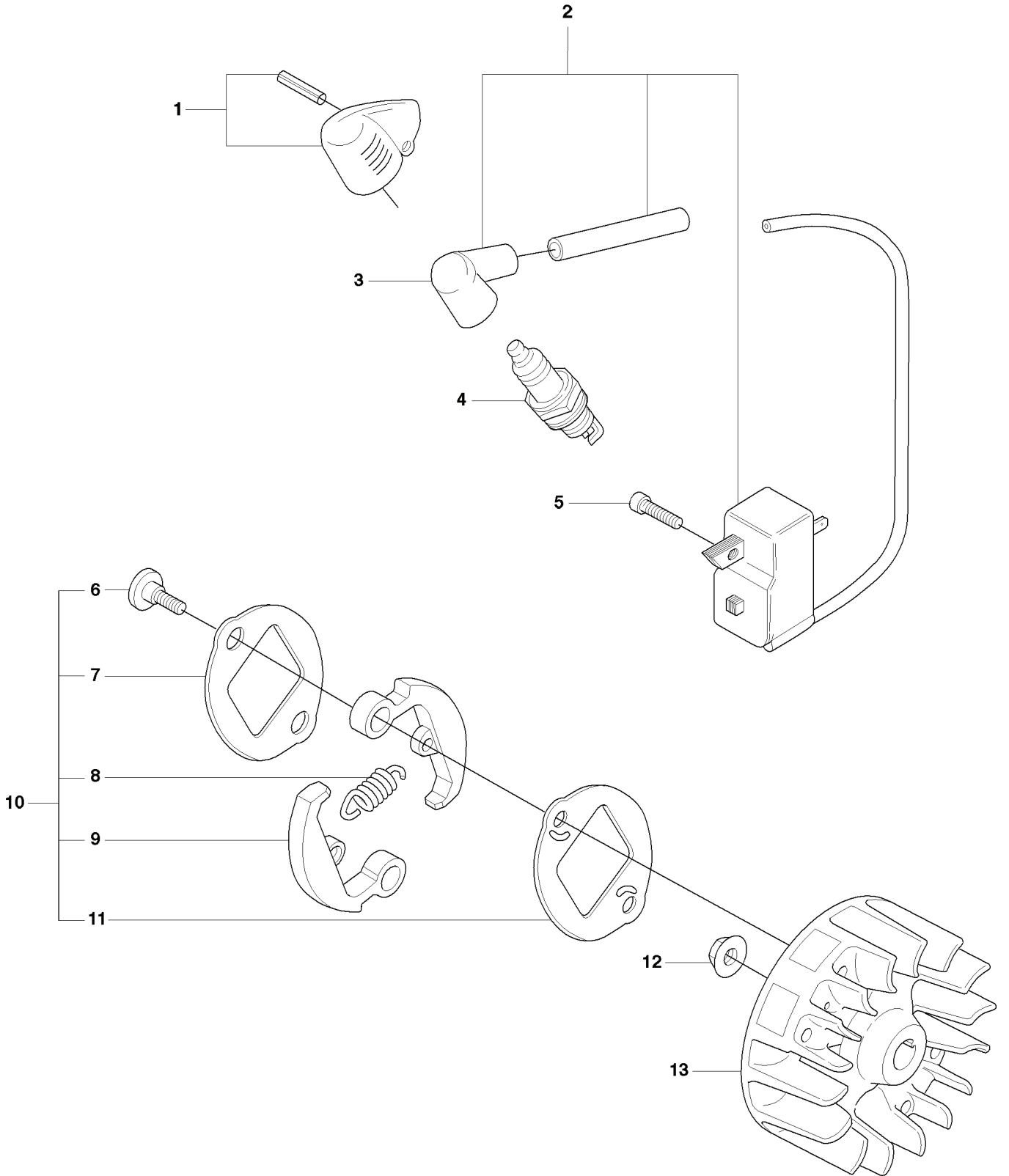
REF.	PART NO.	DESCRIPTION	REMARK	QTY.	KIT
1	503213512	SCREW CCRPANT		2	
2	537104401	ARM PROTECTION		1	
3	503216820	SCREW IHSCFT		3	
3	503200316	SCREW IHSCFM		3	
4	537353314	LABEL		1	
4	537353316	LABEL		1	
4	537353317	LABEL		1	
4	537353315	LABEL		1	
4	537353320	LABEL		1	
4	537353324	LABEL		1	
4	537353322	LABEL		1	
4	537353323	LABEL		1	
4	537353326	LABEL		1	
5	503972101	COVER		1	
6	503961301	SCREW		2	
7	503871802	CYLINDER COVER		1	
8	537320803	HEAT PROTECTOR		1	
9	503216820	SCREW IHSCFT		1	
9	503200316	SCREW IHSCFM		1	

Q 323C, L, LD, R, RJ, 325CX, Lx, LDx, Rx, RJx
CRANK SHAFT



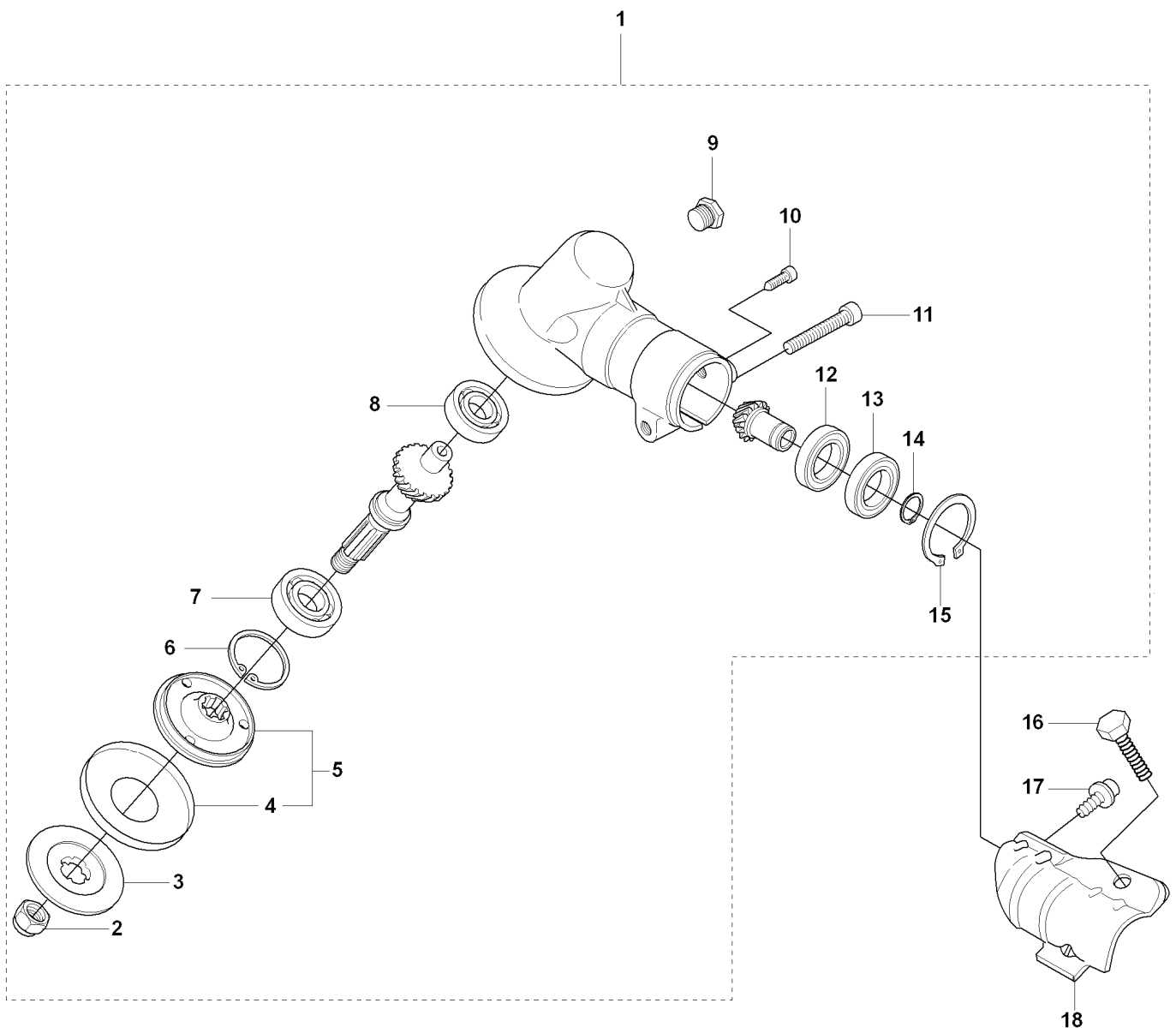
REF.	PART NO.	DESCRIPTION	REMARK	QTY.	KIT
1	503852475	CRANKSHAFT ASSY		0	
2	503940203	BEARING CAGE		1	1
3	503712201	BEARING		1	1
4	503940203	BEARING CAGE		1	1

M 323C, L, LD, R, RJ, 325CX, Lx, LDx, Rx, RJx
IGNITION & CLUTCH



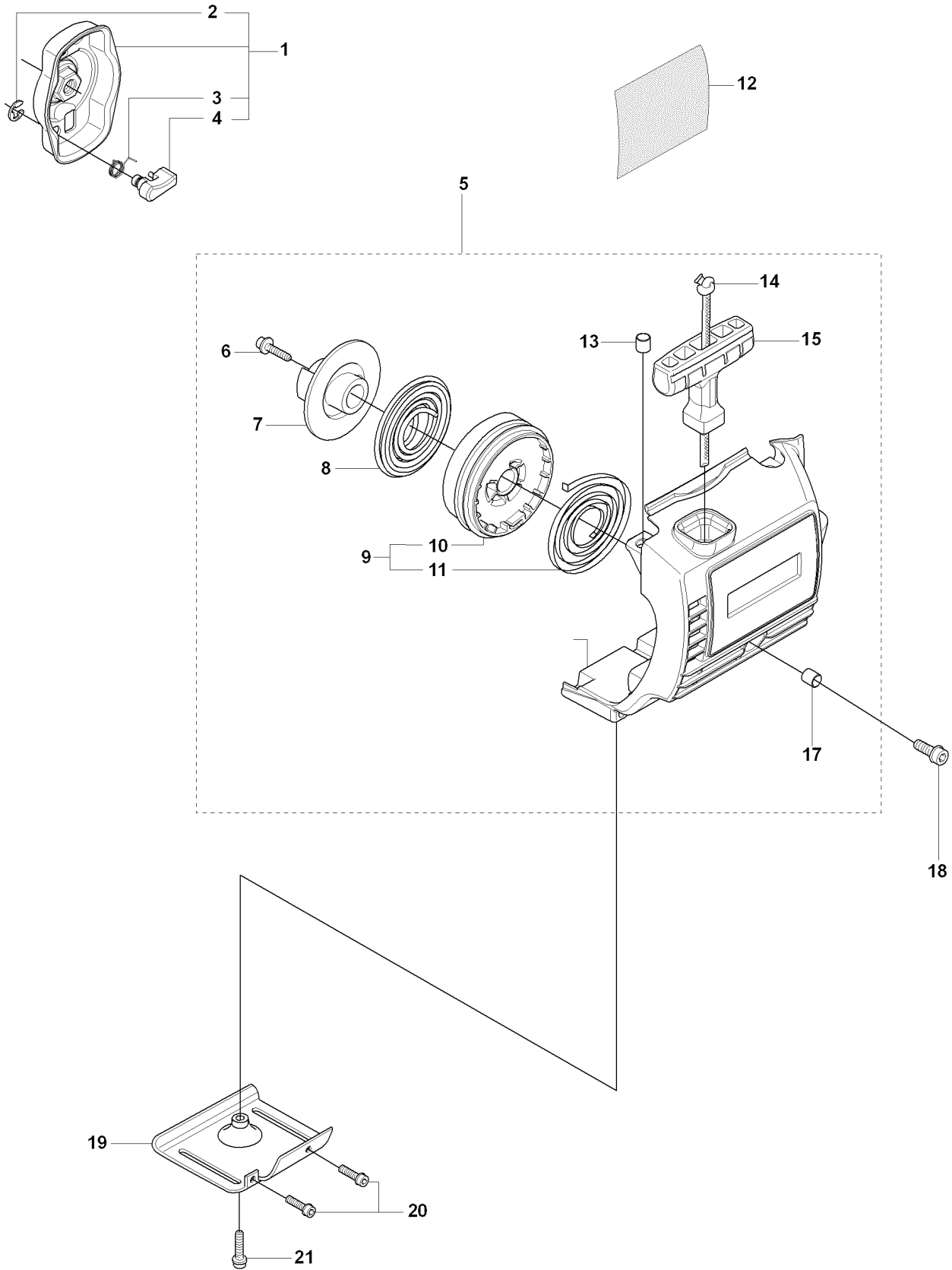
REF.	PART NO.	DESCRIPTION	REMARK	QTY.	KIT
1	537045801	COVER		1	
2	537418701	IGNITION MODULE		1	
3	537239601	SPARK PLUG CAP		1	2
4	503235108	SPARK PLUG		1	
4	503235111	SPARK PLUG		1	
5	503217116	SCREW IHSCT		2	
6	503842902	SCREW		1	10
7	537046702	WASHER		1	10
8	503816001	CLUTCH SPRING		1	10
9	503842801	CLUTCH SHOE		2	10
10	537032201	CLUTCH ASSY		1	
11	537046802	WASHER		1	10
12	731711651	HEXAGON NUT FLANGE		1	
13	537249602	FLYWHEEL		1	

A 323C, L, LD, R, RJ, 325CX, Lx, LDx, Rx, RJx
BEVEL GEAR



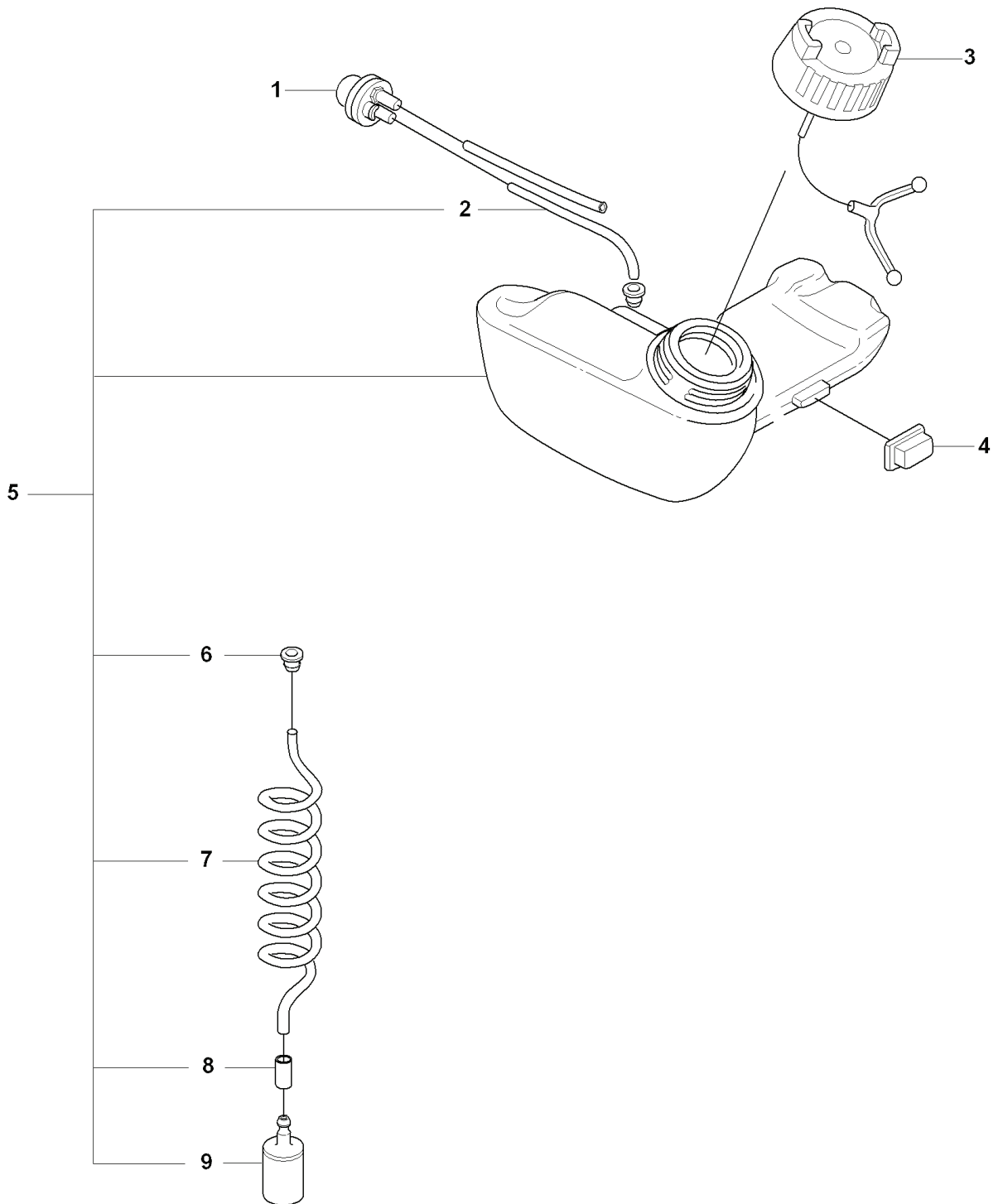
REF.	PART NO.	DESCRIPTION	REMARK	QTY.	KIT
1	537199202	BEVEL GEAR ASSY		1	
2	503856301	NUT		1	1
3	537285601	SUPPORT FLANGE		1	1
4	537292601	CUP		1	1
5	537234901	DRIVER ASSY		1	1
6	735312810	CIRCLIP		1	1
7	503252401	BALL BEARING		1	1
8	738219800	BALL BEARING		1	1
9	503201501	SCREW		1	1
10	503201412	SCREW IHSCFMO		1	1
11	503200725	SCREW IHSCFM		1	1
12	738219900	BALL BEARING		1	1
13	738219902	BALL BEARING		1	1
14	735311100	CIRCLIP		1	1
15	735312510	CIRCLIP		1	1
16	725237051	SCREW		1	
17	503200712	SCREW IHSCFM		1	
18	503935501	CLAMP:GUARD		1	

K1 323C, L, LD, R, RJ, 325CX, Lx, LDx, Rx, RJx STARTER



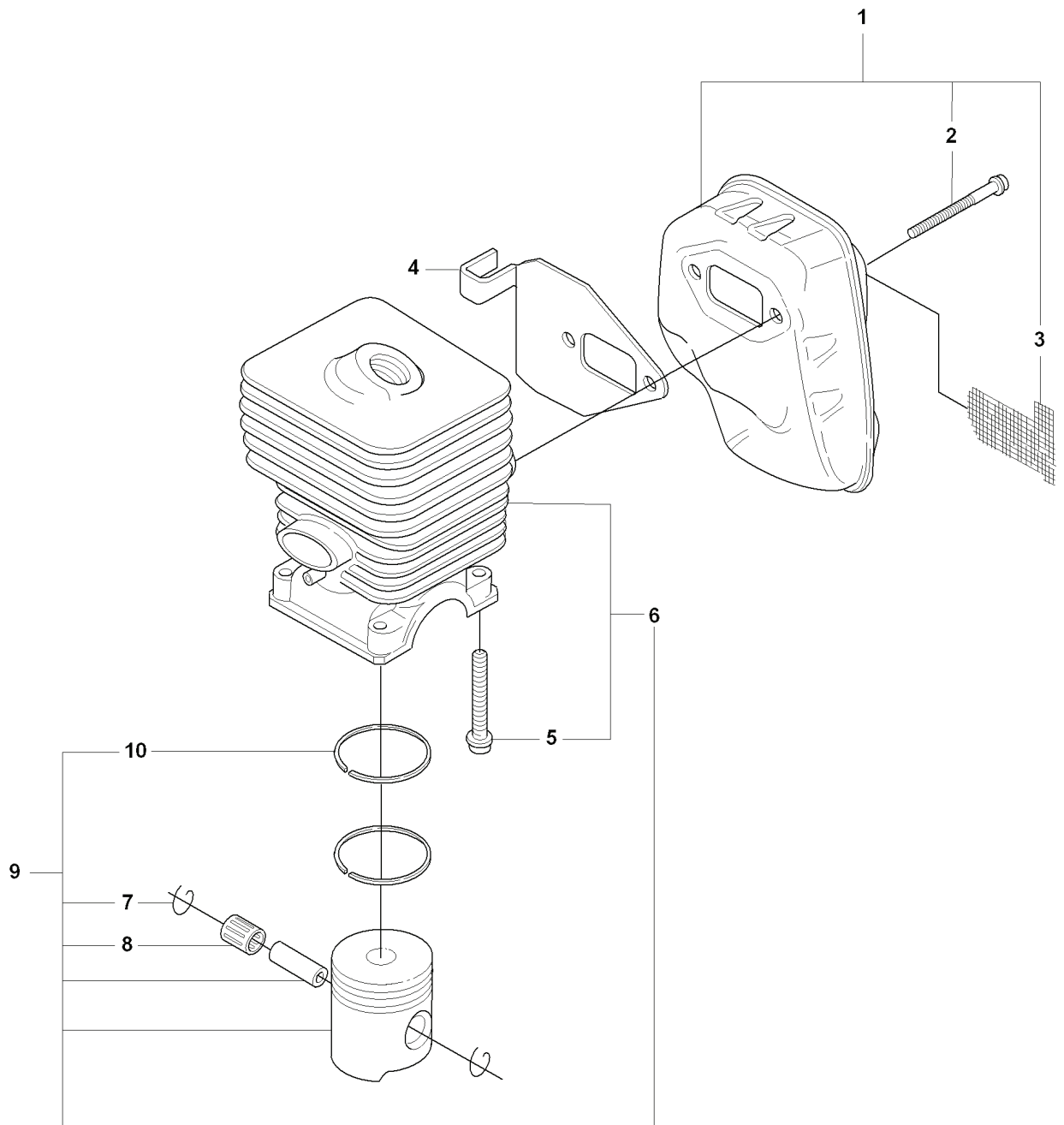
REF.	PART NO.	DESCRIPTION	REMARK	QTY.	KIT
1	503873305	STARTER PAWL		1	
2	735310820	E-CLIP		2	1
3	503873601	SPRING		2	1
4	503873502	STARTER PAWL		2	1
5	544071102	STARTER ASSY		1	
6	503217725	SCREW IHSCFT		1	5
7	544038702	DRIVER		1	5
8	544038802	SPRING		1	5
9	544166501	STARTER PULLEY ASSY		1	5
10	544038601	STARTER PULLEY		1	5.9
11	503859001	RECOIL SPRING		1	5.9
12	537353404	LABEL		1	
12	537353405	LABEL		1	
12	537353407	LABEL		1	
12	537353408	LABEL		1	
12	537353414	LABEL		1	
12	537353416	LABEL		1	
12	537353412	LABEL		1	
12	537353413	LABEL		1	
12	537353418	LABEL		1	
13	537379302	SPACING SLEEVE		2	
14	503858901	STARTER ROPE		1	5
15	537008401	STARTER HANDLE		1	5
16	537411601	STARTER HOUSING		1	5
17	537379302	SPACING SLEEVE		1	5
18	503216820	SCREW IHSCFT		1	
18	503200316	SCREW IHSCFM		1	
19	537034101	PROTECTIVE PLATE		1	
20	503216618	SCREW IHSCFT		1	
21	503200316	SCREW IHSCFM		1	

L 323C, L, LD, R, RJ, 325CX, Lx, LDx, Rx, RJx
FUEL TANK



REF.	PART NO.	DESCRIPTION	REMARK	QTY.	KIT
1	503936601	PURGE		1	
2	537042401	FUEL HOSE		2	5
3	503911802	TANK CAP		1	
4	503911001	SUSPENSION		4	
5	537068602	FUEL TANK		1	
6	503735801	BUSHING		2	5
7	544325001	FUEL HOSE		1	5
8	504022401	HOSE CLAMP		1	5
9	503443201	FUEL FILTER		1	5

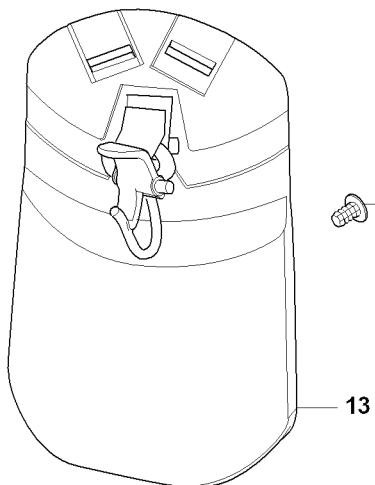
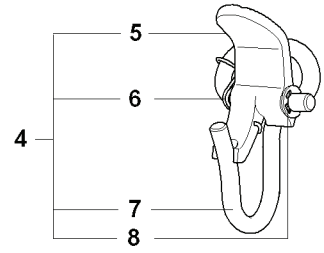
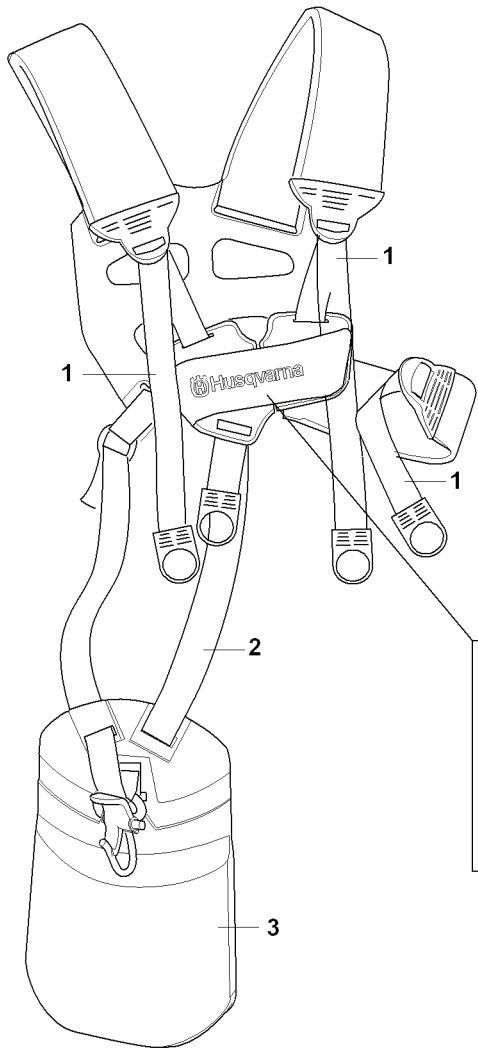
N 323C, L, LD, R, RJ, 325CX, Lx, LDx, Rx, RJx
CYLINDER PISTON & MUFFLER



REF.	PART NO.	DESCRIPTION	REMARK	QTY.	KIT
1	537161901	MUFFLER ASSY		1	
2	502078101	SCREW EHHFM		2	1
3	503871701	SPARK ARRESTER SCREEN		1	1
4	537014101	GASKET		1	
5	503200735	SCREW IHSCFM		4	6
6	537032008	CYLINDER		1	
7	737440800	CIRCLIP		1	9
8	503712201	BEARING		1	9
9	537405902	PISTON		1	6
10	537406201	PISTON RING		2	9

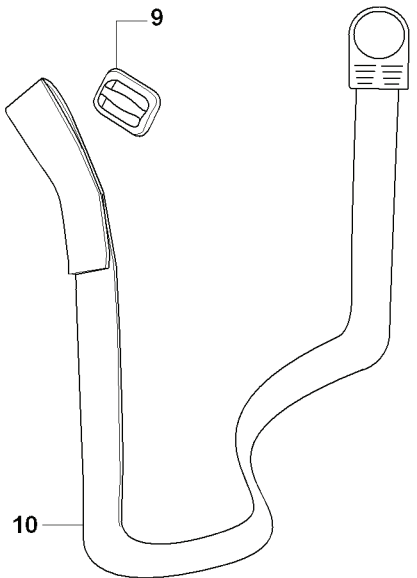
U 323C, L, LD, R, RJ, 325CX, Lx, LDx, Rx, RJx
HARNESS

Duo Balance



12

11

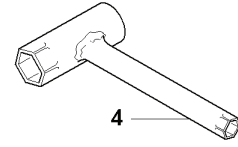
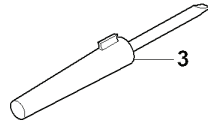
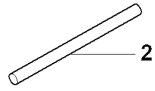
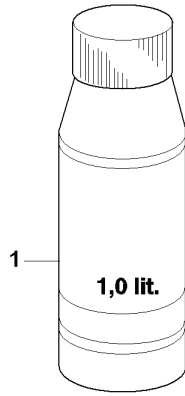


10

9

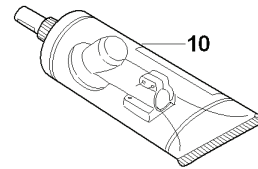
REF.	PART NO.	DESCRIPTION	REMARK	QTY.	KIT
1	503996101	BAND		0	
2	503996103	BAND		0	
3	537275901	HIP PAD		0	
4	502022801	HOOK		0	
5	502023002	LOCK		0	4
6	502023801	SPRING		0	4
7	502022902	HOOK		0	4
8	735310920	E-CLIP		0	4
9	537113501	RETAINER		0	
10	503996103	BAND		0	
11	503996101	BAND		3	
12	537175401	HIP PAD		3	
13	537275901	HIP PAD		0	

T 323C, L, LD, R, RJ, 325CX, Lx, LDx, Rx, RJx
ACCESSORIES

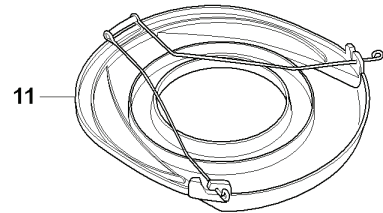
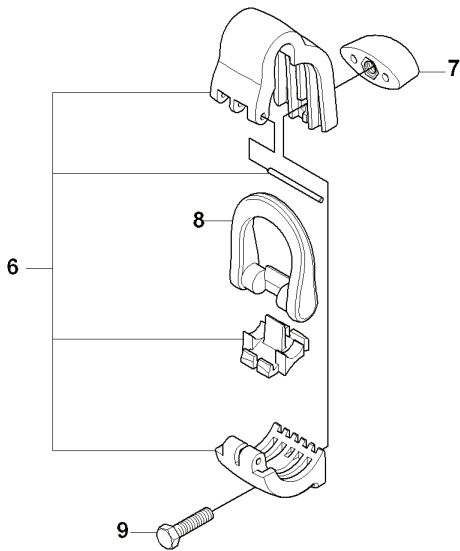


4

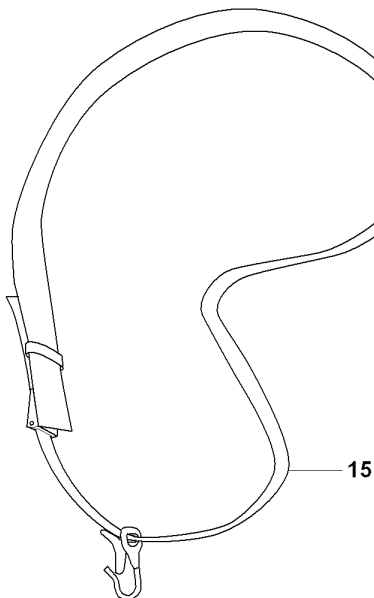
5



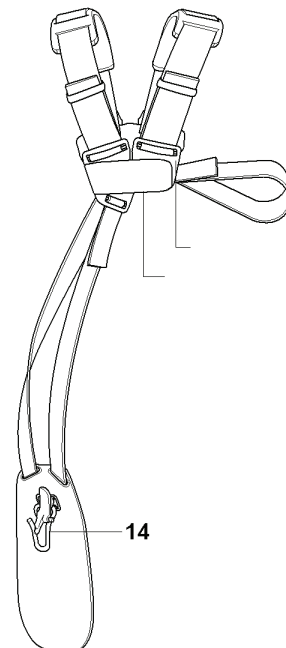
10



11



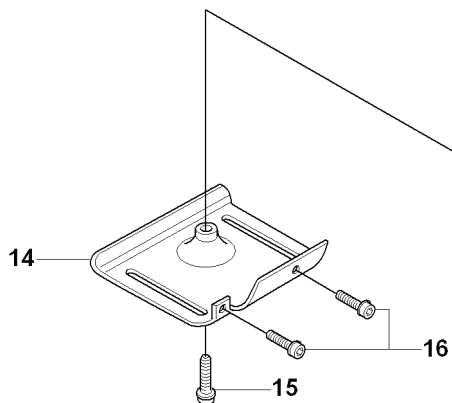
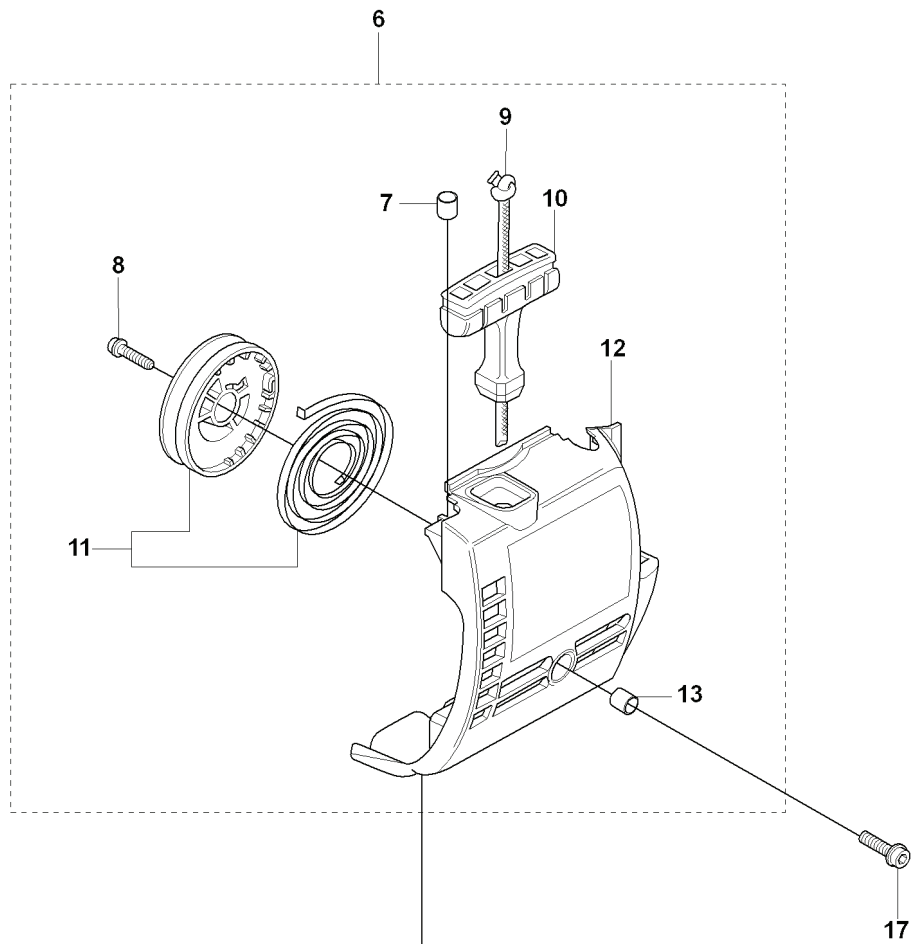
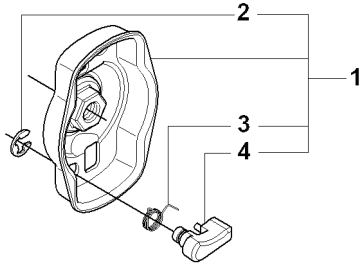
15



14

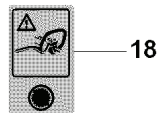
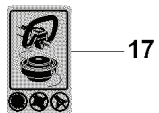
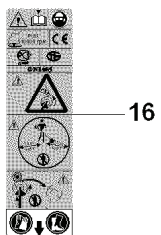
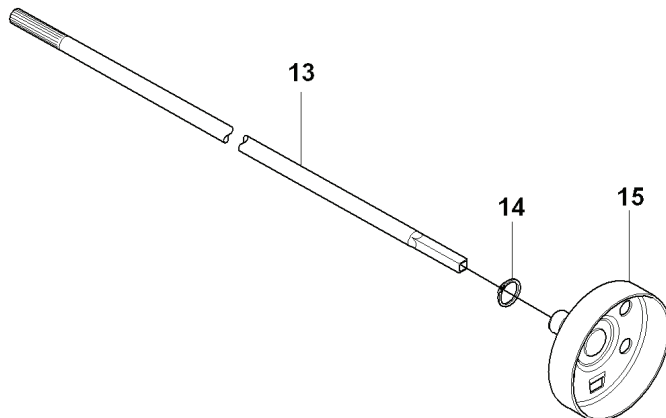
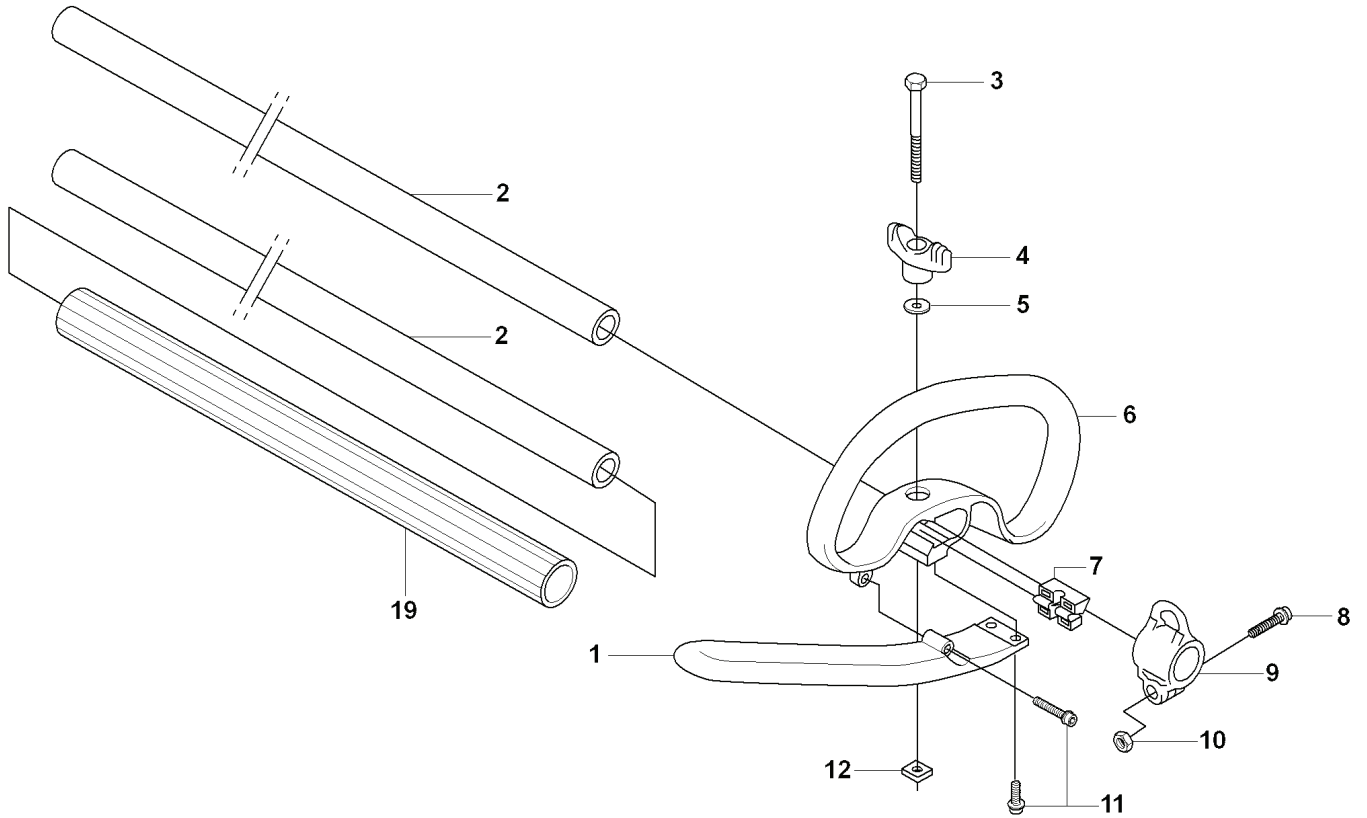
REF.	PART NO.	DESCRIPTION	REMARK	QTY.	KIT
1	531009248	FILTER OIL		1	
2	502285901	STOP		1	
3	501600203	SCREWDRIVER		1	
4	502114602	SOCKET WRENCH		1	
5	502215801	WRENCH		1	
6	537353601	LOOP		1	
7	537130402	KNOB		1	
8	537350101	LOOP		1	6
9	725233151	SCREW		1	
10	503976401	GREASE		1	
11	537312901	TRANSPORT GUARD		1	
12	503734001	FRONT PIECE		1	
13	503734102	BUCKLE		1	
14	502022802	WELT HOOK		1	
15	537216201	HARNESS		1	
15	537216202	HARNESS		1	

K2 323C, L, LD, R, RJ, 325CX, Lx, LDx, Rx, RJx STARTER



REF.	PART NO.	DESCRIPTION	REMARK	QTY.	KIT
1	503873305	STARTER PAWL		2	
2	735310820	E-CLIP		1	1
3	503873601	SPRING		2	1
4	503873502	STARTER PAWL		2	1
6	503852806	STARTER ASSY		0	
7	537379302	SPACING SLEEVE		2	6
8	503217716	SCREW IH SCT		1	6
9	503858901	STARTER ROPE		1	6
10	537008401	STARTER HANDLE		1	6
11	503964901	STARTER PULLEY		1	6
12	503858702	STARTER HOUSING		1	6
13	537379302	SPACING SLEEVE		1	6
14	537034101	PROTECTIVE PLATE		1	
15	503200316	SCREW IHSCFM		1	
16	503216618	SCREW IH SCT		1	
17	503200316	SCREW IHSCFM		2	

B 323C, L, 325Lx, LDx, RJx
SHAFT & HANDLE



REF.	PART NO.	DESCRIPTION	REMARK	QTY.	KIT
1	503997801	HANDLE		1	
2	503888801	TUBE		1	
2	540053801	TUBE DRIVESHAFT ASSY		1	
3	725237851	SCREW EHHM		1	
3	725238051	SCREW EHHM		1	
4	503879001	KNOB		1	
5	503230061	WASHER		1	
6	503871901	HANDLE LOOP		1	
6	503871903	HANDLE		1	
7	503940301	DISTANCE		1	
8	503200716	SCREW IHSCFM		1	
9	503941001	HOOK		1	
10	731231401	HEXAGON NUT		1	
11	503216816	SCREW IHSCCT		3	
12	502197101	SQUARE NUT		1	
13	537234801	DRIVE SHAFT		1	
14	735311200	CIRCLIP		1	
15	537237501	CLUTCH DRUM ASSY		1	
16	537294801	LABEL		1	
17	503795601	LABEL		1	
18	537101001	LABEL		1	
19	537085501	HANDLE		1	