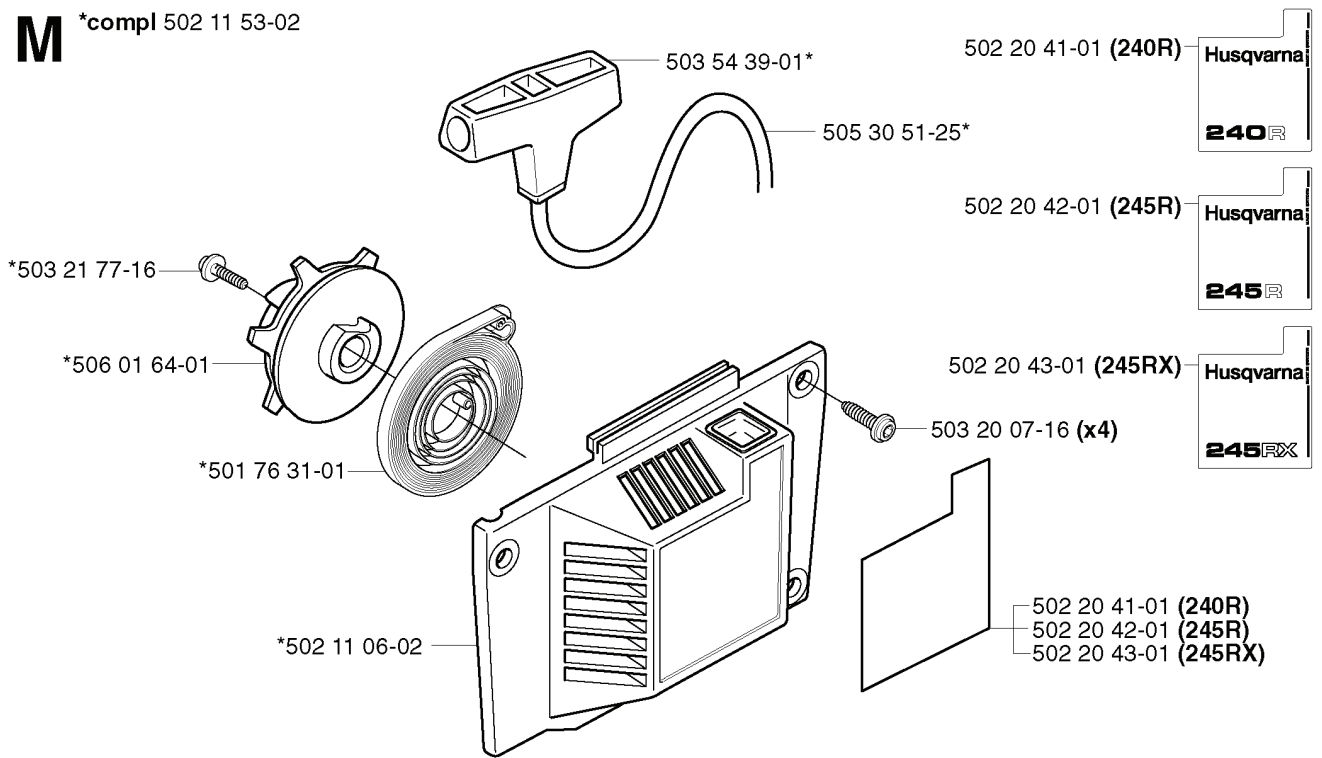


245 RX, 20023100001-Current

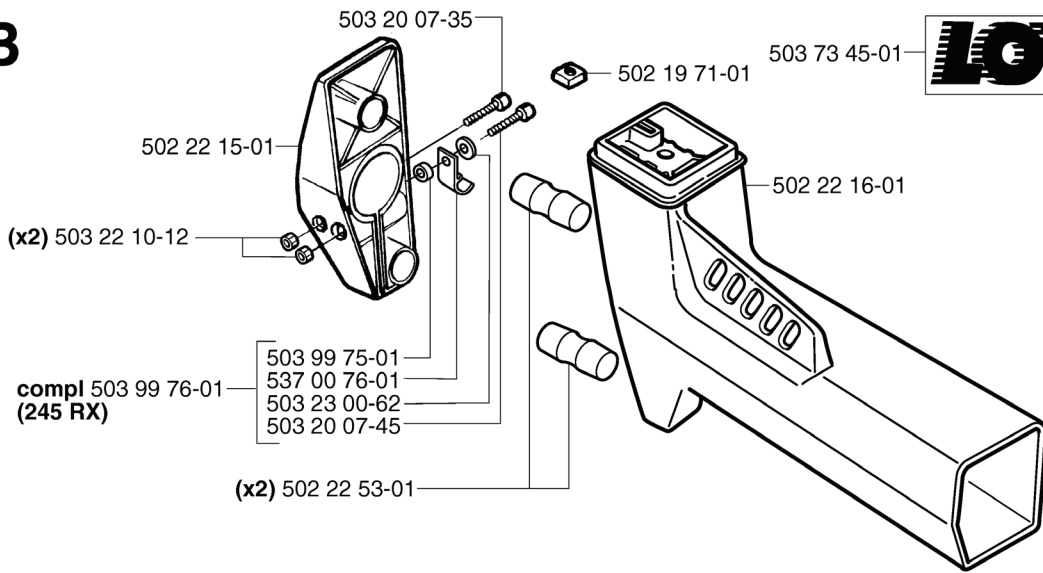
SPARE PARTS LIST

M *compl 502 11 53-02



| REF. | PART NO. | DESCRIPTION | REMARK | QTY. | KIT |
|------------|-----------|----------------------|--------|------|-----|
| 5017661-01 | 501763101 | SPRING CASSETTE ASSY | | 1 | |
| 5021153-02 | 502115302 | STARTER | | 1 | |
| 5032177-16 | 503217716 | SCREW IH SCT | | 1 | |
| 5060164-01 | 506016401 | STARTER PULLEY | | 1 | |
| 5017631-01 | 501763101 | SPRING CASSETTE ASSY | | 1 | |
| 5021106-02 | 502110602 | STARTER HOUSING | | 1 | |
| 5035439-01 | 503543901 | STARTER HANDLE | | 1 | |
| 5053051-25 | 505305125 | STARTER ROPE | | 1 | |
| 5022041-01 | 502204101 | DECAL | 240R | 1 | |
| 5032007-16 | 503200716 | SCREW IH SCFM | | 4 | |
| 5022043-01 | 502204301 | DECAL | 245RX | 1 | |
| 5022042-01 | 502204201 | DECAL | 245R | 1 | |

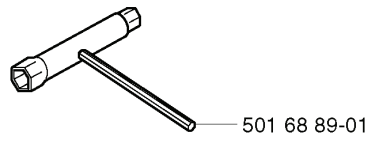
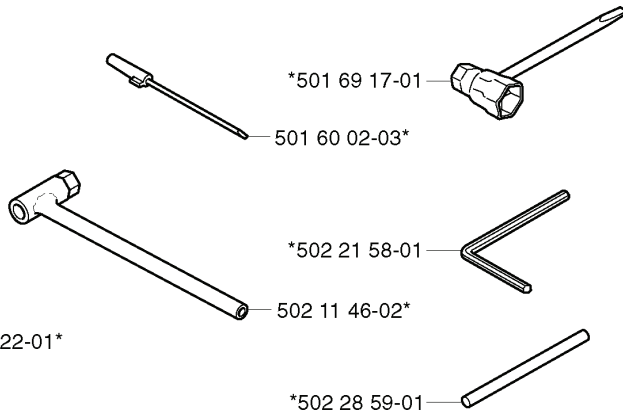
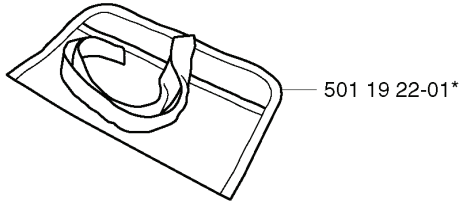
B



| REF. | PART NO. | DESCRIPTION | REMARK | QTY. | KIT |
|--------------|-----------|-----------------------|--------|------|-----|
| 502 22 15-01 | 502221501 | RETAINER | | 1 | |
| 503 22 10-12 | 503221012 | HEXAGON NUT | | 2 | |
| 503 99 76-01 | 503997601 | KIT | 245 RX | 1 | |
| 502 22 53-01 | 502225301 | ANTIVIBRATION ELEMENT | | 2 | |
| 503 20 07-45 | 503200745 | SCREW IHSCFM | | 1 | |
| 503 23 00-62 | 503230062 | WASHER | | 1 | |
| 537 00 76-01 | 537007601 | CLIP | | 1 | |
| 503 99 75-01 | 503997501 | SPACING SLEEVE | | 1 | |
| 503 20 07-35 | 503200735 | SCREW IHSCFM | | 1 | |
| 502 19 71-01 | 502197101 | SQUARE NUT | | 1 | |
| 502 22 16-01 | 502221601 | SUSPENSION | | 1 | |
| 503 73 45-01 | 503734501 | LABEL | | 1 | |

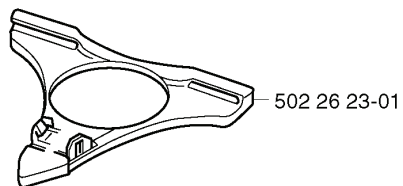
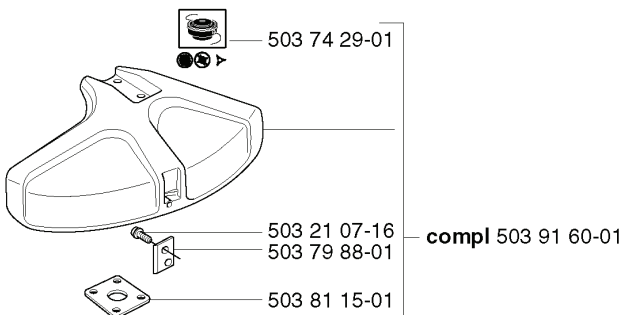
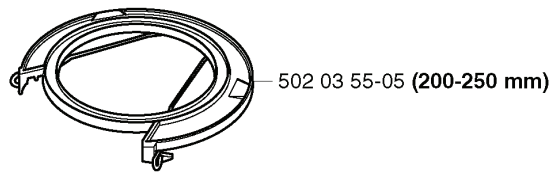
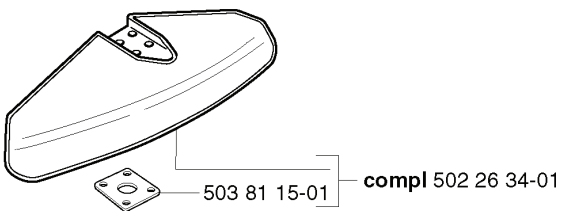
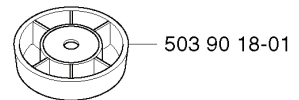
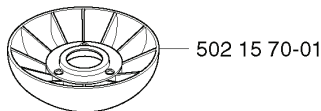
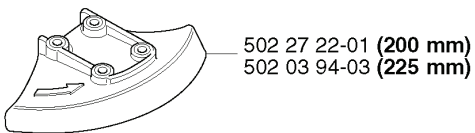
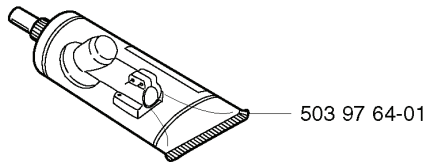
S Accessories
 Zubehöre
 Accessoires
 Accesorios
 Tillbehör

*compl 502 27 33-03



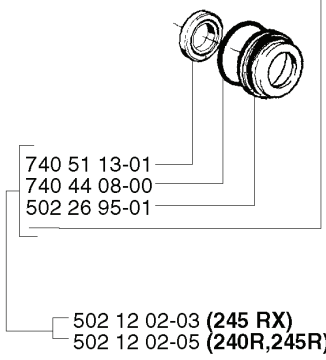
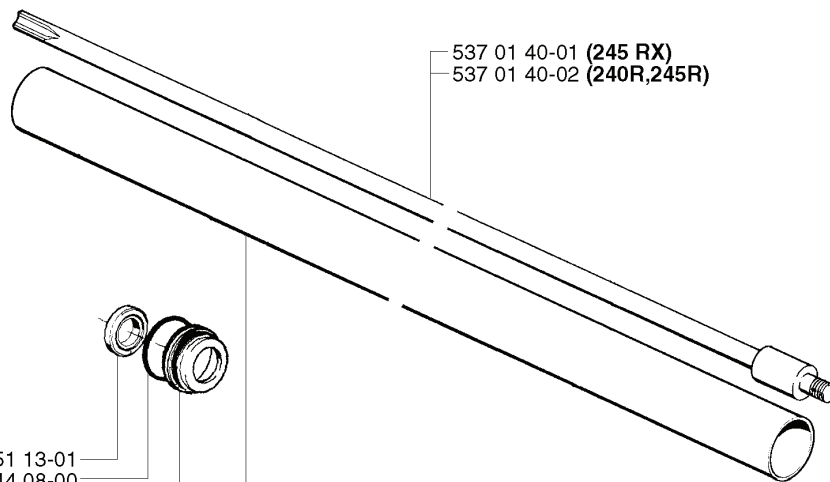
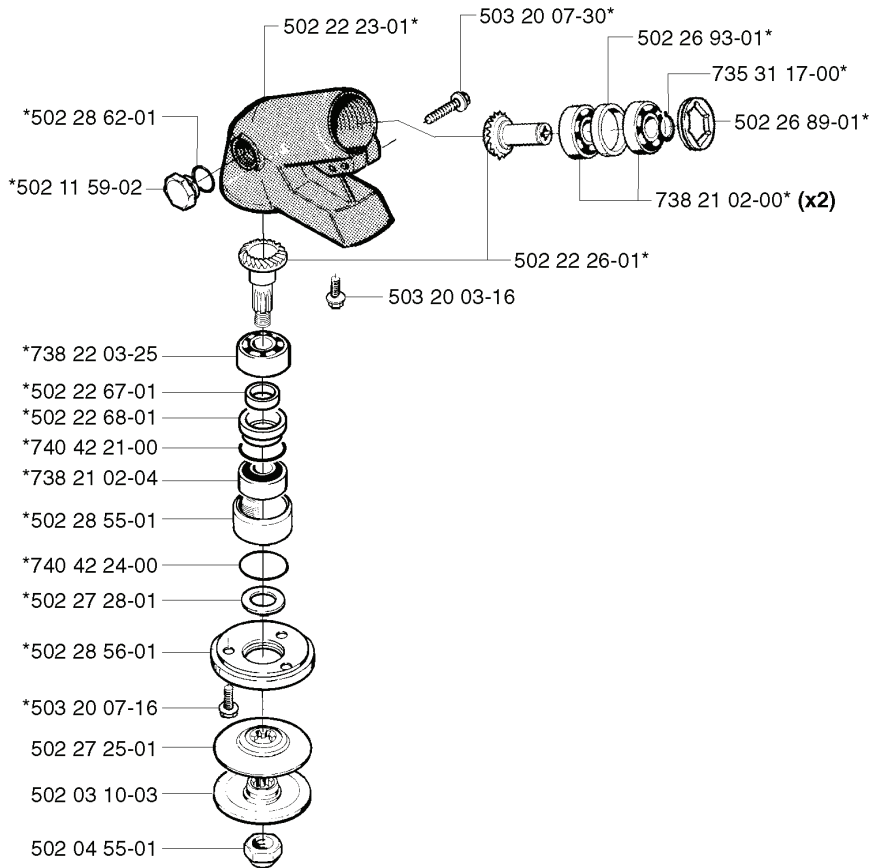
Olja Luftfilter
 Oil Airfilter
 Öl Luftfilter
 Aceite Filtro Air
 Huile Filtraire

1,0 lit.



| REF. | PART NO. | DESCRIPTION | REMARK | QTY. | KIT |
|--------------|-----------|--------------------|------------|------|-----|
| 502 27 33-03 | 502273303 | TOOL KIT | | 1 | |
| 531 00 60-76 | 531006076 | OIL | | 1 | |
| 502 27 22-01 | 502272201 | SAW BLADE GUARD | 200 MM | 1 | |
| 502 03 94-03 | 502039403 | SAW BLADE GUARD | 225 MM | 1 | |
| 503 81 15-01 | 503811501 | BASEPLATE | | 1 | |
| 503 74 29-01 | 503742901 | DECAL | | 1 | |
| 503 21 07-16 | 503210716 | SCREW IHSCT | | 1 | |
| 503 79 88-01 | 503798801 | BLADE | | 1 | |
| 503 91 60-01 | 503916001 | TRIMMER GUARD | | 1 | |
| 502 26 34-01 | 502263401 | SPLASH GUARD | | 1 | |
| 501 19 22-01 | 501192201 | TOOL | | 1 | |
| 502 15 70-01 | 502157001 | SUPPORT CUP | | 1 | |
| 502 26 23-01 | 502262301 | TRIMMER GUARD ASSY | | 1 | |
| 502 03 55-05 | 502035505 | TRANSPORT GUARD | 200-250 MM | 1 | |
| 503 90 18-01 | 503901801 | SUPPORT CUP | | 1 | |
| 503 97 64-01 | 503976401 | GREASE | | 1 | |
| 501 68 89-01 | 501688901 | COMBINATION WRENCH | | 1 | |
| 502 28 59-01 | 502285901 | STOP | | 1 | |
| 502 11 46-02 | 502114602 | SOCKET WRENCH | | 1 | |
| 502 21 58-01 | 502215801 | WRENCH | | 1 | |
| 501 60 02-03 | 501600203 | SCREWDRIVER | | 1 | |
| 501 69 17-01 | 501691701 | COMBINATION WRENCH | | 1 | |

A *compl 502 28 57-02

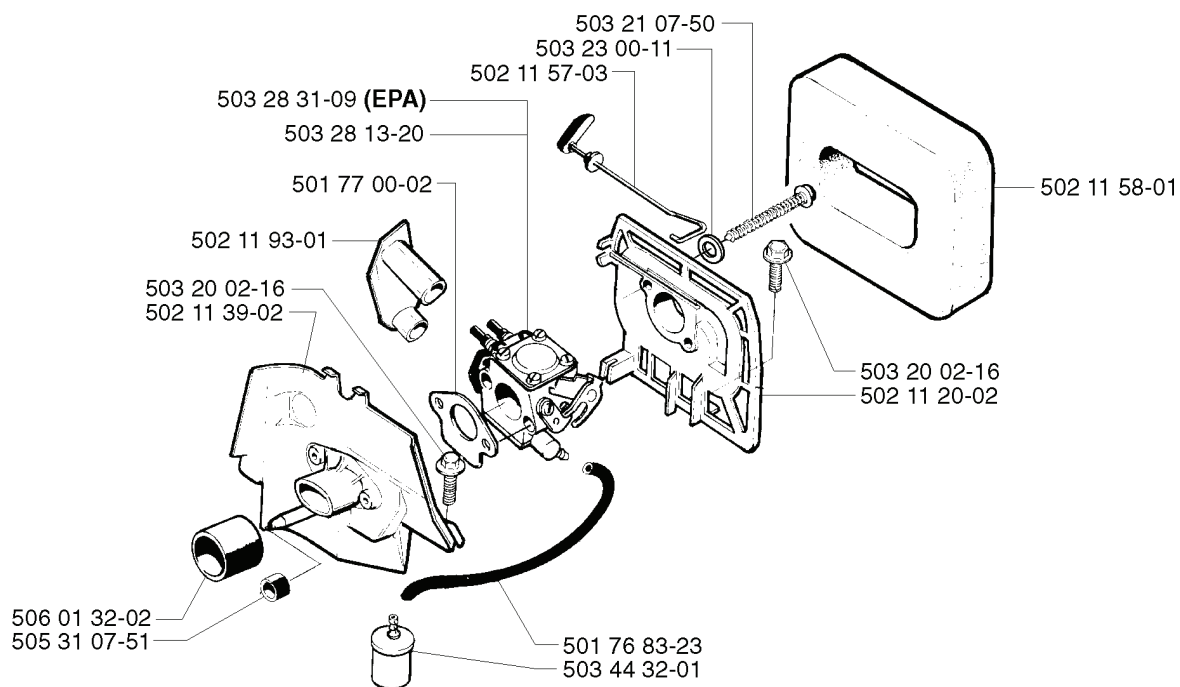


537 02 76-02



| REF. | PART NO. | DESCRIPTION | REMARK | QTY. | KIT |
|--------------|-----------|---------------------|-----------|------|-----|
| 502 28 57-02 | 502285702 | GEAR | | 1 | |
| 502 28 62-01 | 502286201 | WASHER | | 1 | |
| 502 11 59-02 | 502115902 | PLUG | | 1 | |
| 738 22 03-25 | 738220325 | BALL BEARING | | 1 | |
| 502 22 67-01 | 502226701 | SPACER RING | | 1 | |
| 502 22 68-01 | 502226801 | SEALING COLLAR | | 1 | |
| 740 42 21-00 | 740422100 | O-RING | | 1 | |
| 738 21 02-04 | 738210204 | BALL BEARING | | 1 | |
| 502 28 55-01 | 502285501 | BEARING HOUSING | | 1 | |
| 740 42 24-00 | 740422400 | O-RING | | 1 | |
| 502 27 28-01 | 502272801 | WASHER | | 1 | |
| 502 28 56-01 | 502285601 | CUP | | 1 | |
| 503 20 07-16 | 503200716 | SCREW IHSCFM | | 1 | |
| 502 27 25-01 | 502272501 | DRIVER | | 1 | |
| 502 03 10-03 | 502031003 | SUPPORT FLANGE | | 1 | |
| 502 04 55-01 | 502045501 | NUT | | 1 | |
| 740 51 13-01 | 740511301 | SEALING RING | | 1 | |
| 740 44 08-00 | 740440800 | O-RING | | 1 | |
| 502 26 95-01 | 502269501 | SEALING RING HOLDER | | 1 | |
| 502 12 02-03 | 502120203 | TUBE ASSY | 245 RX | 1 | |
| 502 12 02-05 | 502120205 | TUBE ASSY | 240R,245R | 1 | |
| 537 02 76-02 | 537027602 | LABEL | | 1 | |
| 537 01 40-02 | 537014002 | DRIVE SHAFT ASSY | 240R,245R | 1 | |
| 537 01 40-01 | 537014001 | DRIVE SHAFT ASSY | 245 RX | 1 | |
| 503 20 03-16 | 503200316 | SCREW IHSCFM | | 1 | |
| 502 22 26-01 | 502222601 | GEAR WHEEL | | 1 | |
| 738 21 02-00 | 738210200 | BALL BEARING | | 2 | |
| 502 26 89-01 | 502268901 | CIRCLIP | | 1 | |
| 735 31 17-00 | 735311700 | CIRCLIP | | 1 | |
| 502 26 93-01 | 502269301 | SPACER RING | | 1 | |
| 503 20 07-30 | 503200730 | SCREW IHSCFM | | 1 | |
| 502 22 23-01 | 502222301 | GEAR HOUSING | | 1 | |

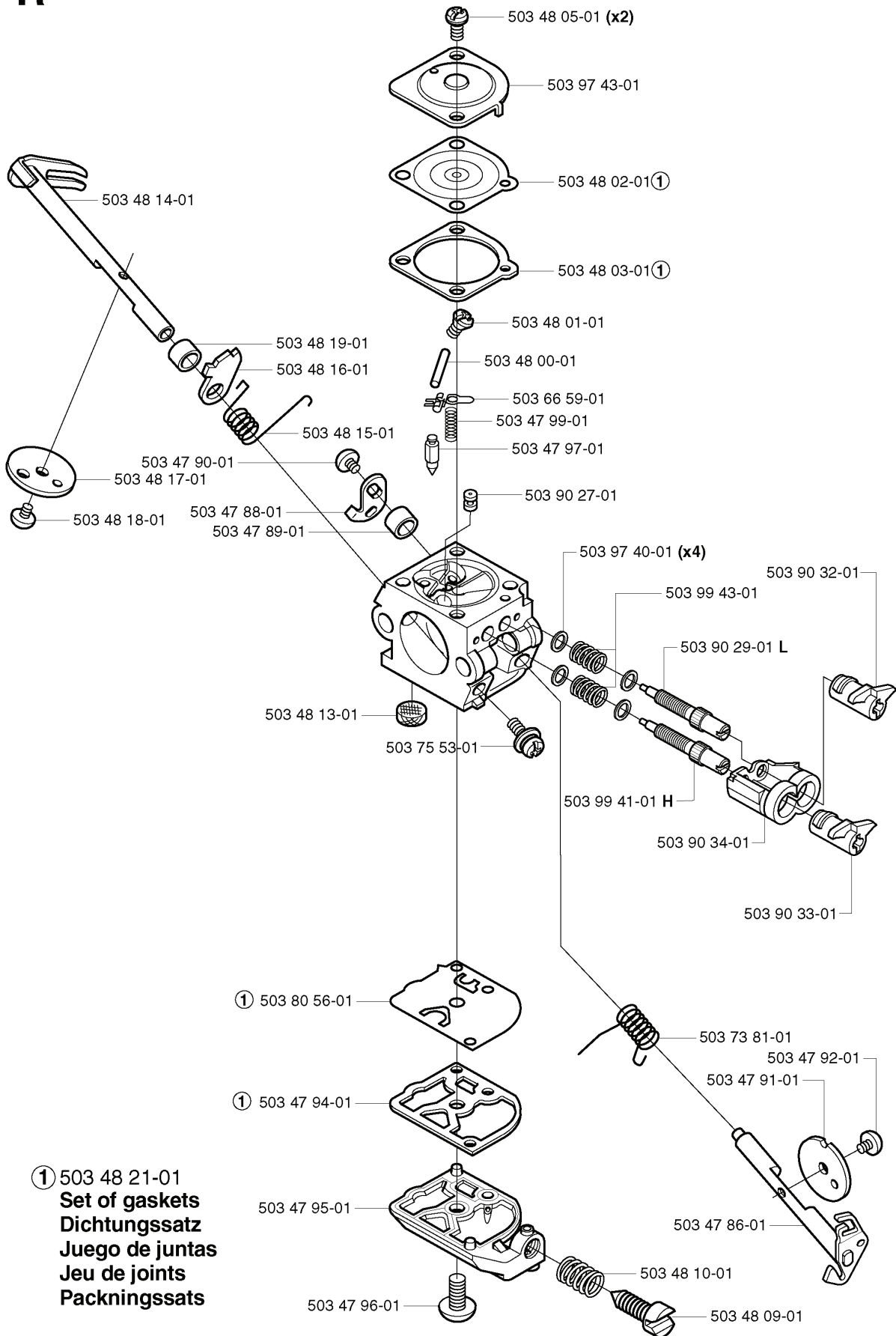
K



| REF. | PART NO. | DESCRIPTION | REMARK | QTY. | KIT |
|--------------|-----------|-----------------|--------|------|-----|
| 506 01 32-02 | 506013202 | INLET PIPE | | 1 | |
| 505 31 07-51 | 505310751 | IMPULSE HOSE | | 1 | |
| 503 44 32-01 | 503443201 | FUEL FILTER | | 1 | |
| 501 76 83-23 | 501768323 | FUEL HOSE | | 1 | |
| 502 11 39-02 | 502113902 | INSULATION WALL | | 1 | |
| 503 20 02-16 | 503200216 | SCREW IHSCFM | | 1 | |
| 502 11 93-01 | 502119301 | GUIDE BUSHING | | 1 | |
| 501 77 00-02 | 501770002 | GASKET | | 1 | |
| 503 28 13-20 | 503281320 | CARBURETTOR | | 1 | |
| 503 28 31-09 | 503283109 | CARBURETTOR | EPA | 1 | |
| 502 11 57-03 | 502115703 | CHOKE CONTROL | | 1 | |
| 503 23 00-11 | 503230011 | WASHER | | 1 | |
| 503 21 07-50 | 503210750 | SCREW IHSCFT | | 1 | |
| 502 11 20-02 | 502112002 | FILTER HOLDER | | 1 | |
| 502 11 58-01 | 502115801 | AIR FILTER | | 1 | |

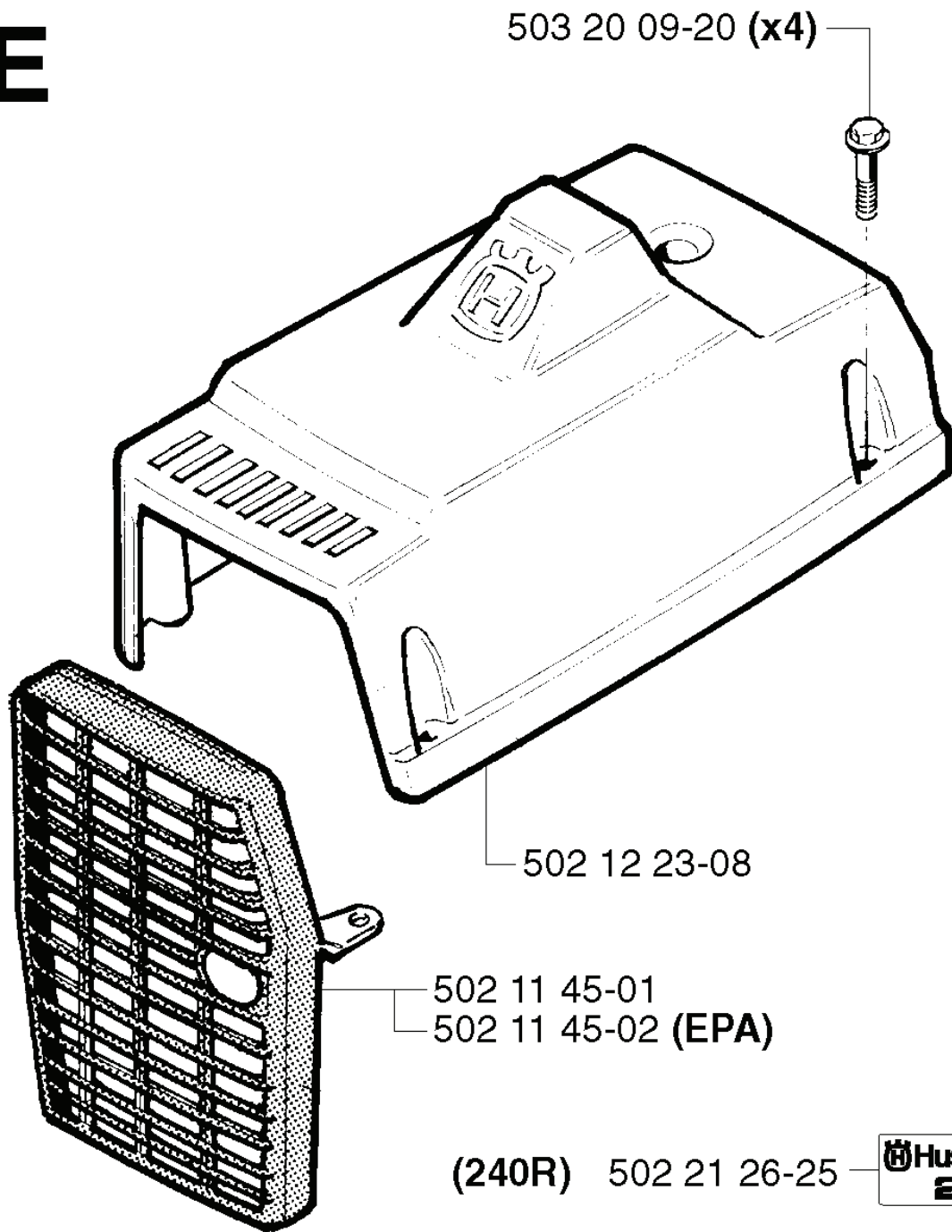
R compl 503 28 31-09

ZAMA C1Q - EL 10 (EPA)



| REF. | PART NO. | DESCRIPTION | REMARK | QTY. | KIT |
|--------------|-----------|---------------------|-----------------------------|------|-----|
| 503 28 31-09 | 503283109 | CARBURETTOR | | 1 | |
| 503 48 14-01 | 503481401 | SHAFT ASSY | | 1 | |
| 503 48 17-01 | 503481701 | VALVE | | 1 | |
| 503 48 18-01 | 503481801 | SCREW | | 1 | |
| 503 47 96-01 | 503479601 | SCREW | | 1 | |
| 503 47 95-01 | 503479501 | COVER | | 1 | |
| 503 47 94-01 | 503479401 | GASKET | 503 48 21-01 SET OF GASKETS | 1 | |
| 503 80 56-01 | 503805601 | DIAPHRAGM PUMP | 503 48 21-01 SET OF GASKETS | 1 | |
| 503 48 13-01 | 503481301 | STRAINER | | 1 | |
| 503 47 89-01 | 503478901 | COLLAR | | 1 | |
| 503 47 88-01 | 503478801 | LEVER | | 1 | |
| 503 47 90-01 | 503479001 | SCREW | | 1 | |
| 503 48 19-01 | 503481901 | COLLAR | | 1 | |
| 503 48 16-01 | 503481601 | LEVER | | 1 | |
| 503 48 15-01 | 503481501 | SPRING | | 1 | |
| 503 75 53-01 | 503755301 | SCREW | | 1 | |
| 503 48 09-01 | 503480901 | SCREW | | 1 | |
| 503 48 10-01 | 503481001 | SPRING | | 1 | |
| 503 47 86-01 | 503478601 | SHAFT ASSY | | 1 | |
| 503 47 91-01 | 503479101 | VALVE | | 1 | |
| 503 47 92-01 | 503479201 | SCREW | | 1 | |
| 503 73 81-01 | 503738101 | RECOIL SPRING | | 1 | |
| 503 90 33-01 | 503903301 | LIMITER CAP | | 1 | |
| 503 90 34-01 | 503903401 | RETAINER | | 1 | |
| 503 99 41-01 | 503994101 | NEEDLE | H | 1 | |
| 503 90 29-01 | 503902901 | SCREW | L | 1 | |
| 503 48 21-01 | 503482101 | DIAPHRAGM | | 1 | |
| 503 99 43-01 | 503994301 | SPRING | | 1 | |
| 503 90 32-01 | 503903201 | LIMITER CAP | | 1 | |
| 503 97 40-01 | 503974001 | WASHER | | 4 | |
| 503 90 27-01 | 503902701 | NOZZLE ASSY | | 1 | |
| 503 47 97-01 | 503479701 | VALVE | | 1 | |
| 503 47 99-01 | 503479901 | SPRING | | 1 | |
| 503 66 59-01 | 503665901 | LEVER | | 1 | |
| 503 48 00-01 | 503480001 | PIN RETAINING SCREW | | 1 | |
| 503 48 01-01 | 503480101 | SCREW | | 1 | |
| 503 48 03-01 | 503480301 | GASKET | 503 48 21-01 SET OF GASKETS | 1 | |
| 503 48 02-01 | 503480201 | DIAPHRAGM | 503 48 21-01 SET OF GASKETS | 1 | |
| 503 97 43-01 | 503974301 | COVER | | 1 | |
| 503 48 05-01 | 503480501 | SCREW | | 2 | |


E





503 20 09-20 (x4)

502 12 23-08

502 11 45-01
502 11 45-02 (EPA)

(240R) 502 21 26-25 —  **Husqvarna**
240R

(245R) 502 21 26-26 —  **Husqvarna**
245R

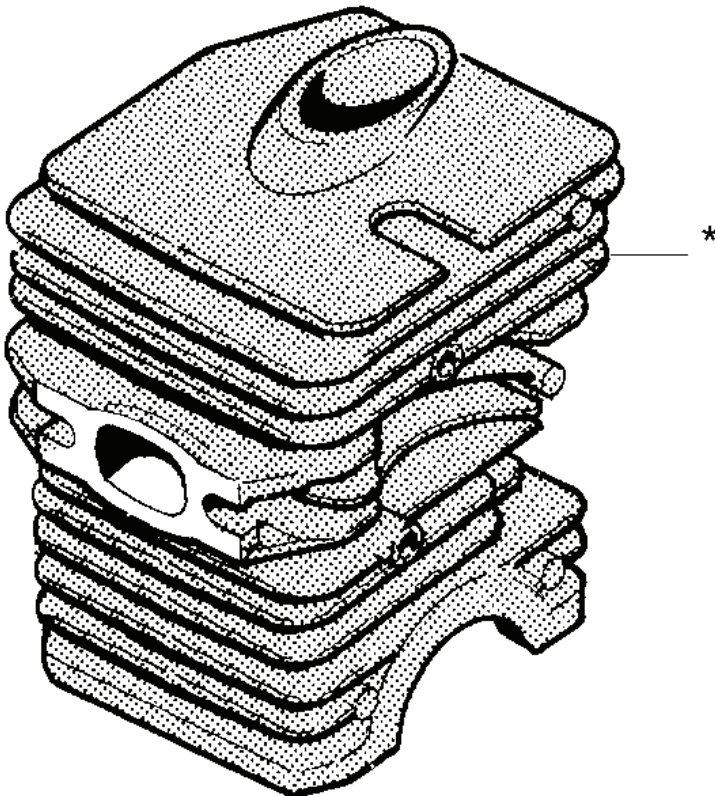
(245RX) 502 21 26-27 —  **Husqvarna**
245RX

| REF. | PART NO. | DESCRIPTION | REMARK | QTY. | KIT |
|--------------|-----------|---------------------|--------|------|-----|
| 503 20 09-20 | 503200920 | SCREW IHSCFMO | | 4 | |
| 502 12 23-08 | 502122308 | CYLINDER COVER ASSY | | 1 | |
| 502 11 45-01 | 502114501 | HEAT PROTECTOR | | 1 | |
| 502 11 45-02 | 502114502 | HEAT PROTECTOR | EPA | 1 | |
| 502 21 26-25 | 502212625 | DECAL | 240R | 1 | |
| 502 21 26-26 | 502212626 | DECAL | 245R | 1 | |
| 502 21 26-27 | 502212627 | DECAL | 245RX | 1 | |

F

*compl 506 01 06-07 (240R)

*compl 503 44 08-02 (245R, 245RX)



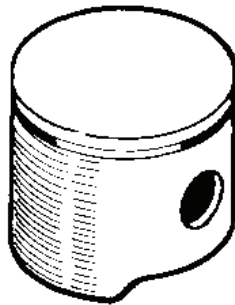
*503 48 90-01
(240R)

*503 44 10-01
(245R, 245RX)



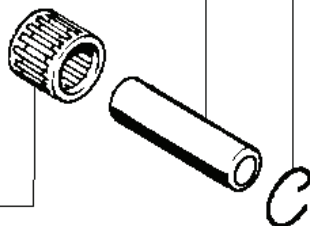
503 28 90-03
(240R)

503 28 90-05
(245R, 245RX)



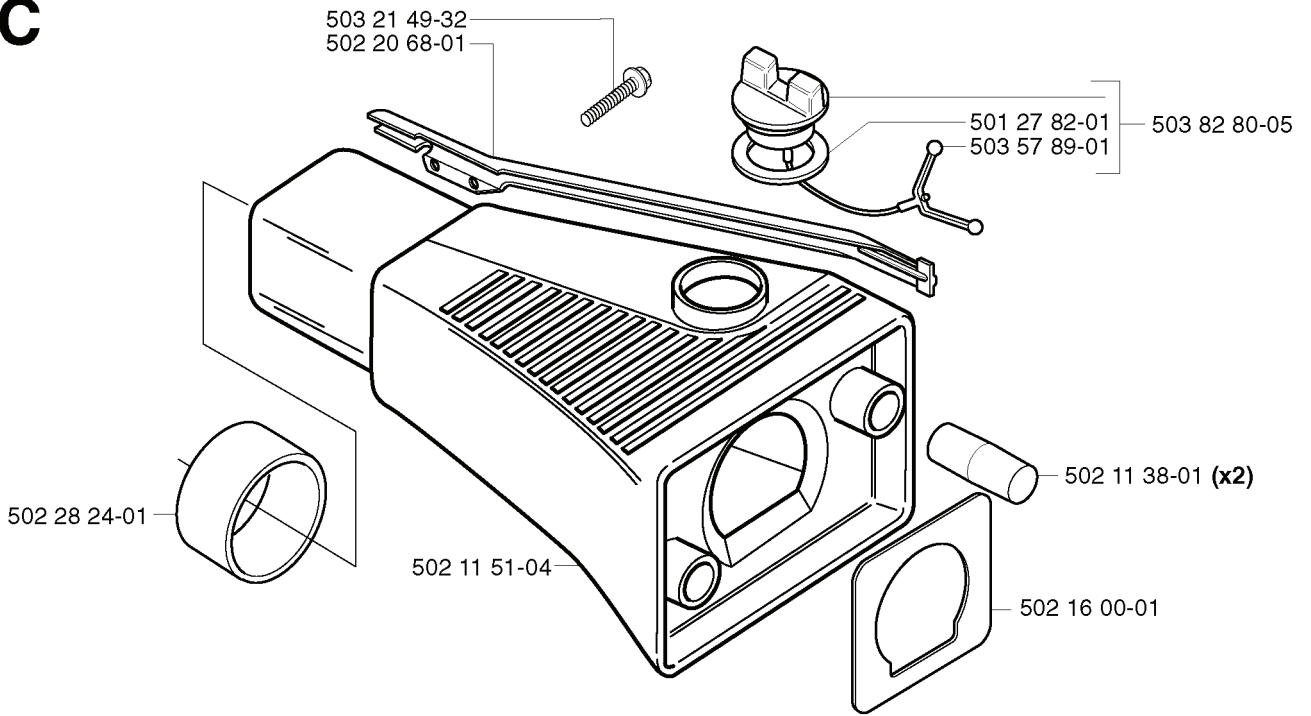
737 44 10-00

*501 45 16-01



| REF. | PART NO. | DESCRIPTION | REMARK | QTY. | KIT |
|--------------|-----------|----------------|-------------|------|-----|
| 506 01 06-07 | 506010607 | CYLINDER ASSY | 240R | 1 | |
| 503 44 08-02 | 503440802 | CYLINDER ASSY | 245R, 245RX | 1 | |
| 501 45 16-01 | 501451601 | NEEDLE BEARING | | 1 | |
| 737 44 10-00 | 737441000 | SNAP RING | | 1 | |
| 503 28 90-05 | 503289005 | PISTON RING | 245R, 245RX | 1 | |
| 503 28 90-03 | 503289003 | PISTON RING | 240R | 1 | |
| 503 44 10-01 | 503441001 | PISTON ASSY | 245R, 245RX | 1 | |
| 503 48 90-01 | 503489001 | PISTON ASSY | 240R | 1 | |

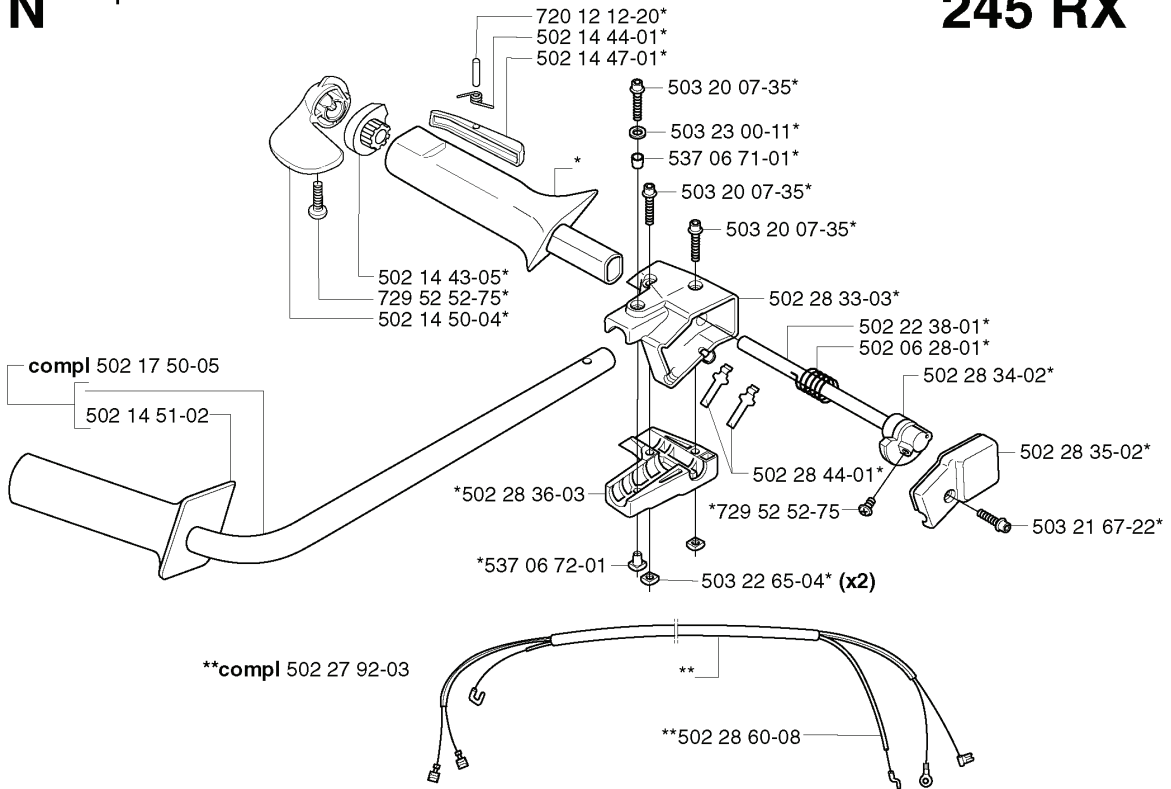
C



| REF. | PART NO. | DESCRIPTION | REMARK | QTY. | KIT |
|--------------|-----------|-----------------------|--------|------|-----|
| 502 28 24-01 | 502282401 | SPACER RING | | 1 | |
| 502 11 51-04 | 502115104 | FUEL TANK ASSY | | 1 | |
| 502 20 68-01 | 502206801 | CABLE GUARD | | 1 | |
| 503 21 49-32 | 503214932 | SCREW IHSCFT | | 1 | |
| 502 16 00-01 | 502160001 | HEAT PROTECTOR | | 1 | |
| 502 11 38-01 | 502113801 | ANTIVIBRATION ELEMENT | | 2 | |
| 503 57 89-01 | 503578901 | HOLDER | | 1 | |
| 501 27 82-01 | 501278201 | GASKET | | 1 | |
| 503 82 80-05 | 503828005 | TANK CAP ASSY | | 1 | |

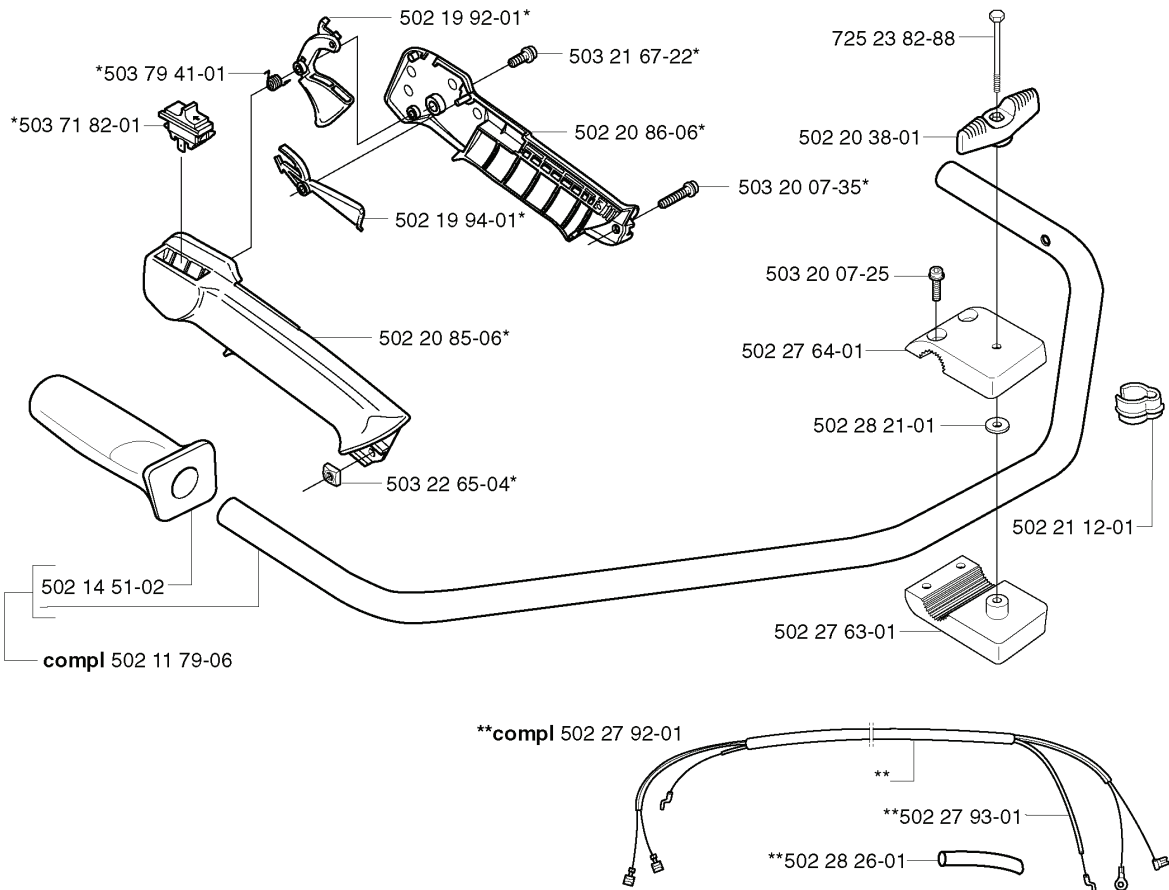
N *compl 502 28 37-05

245 RX



P *compl 502 28 06-11

240R, 245R



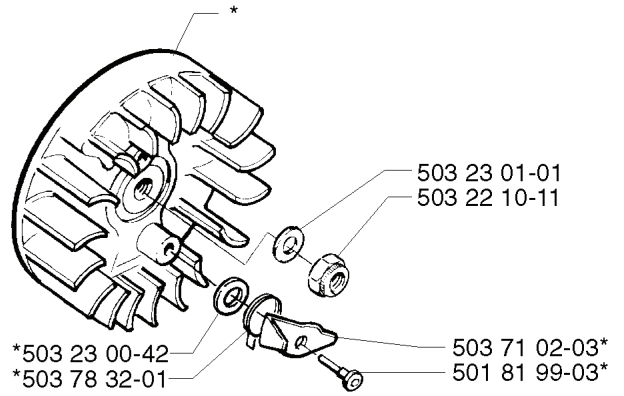
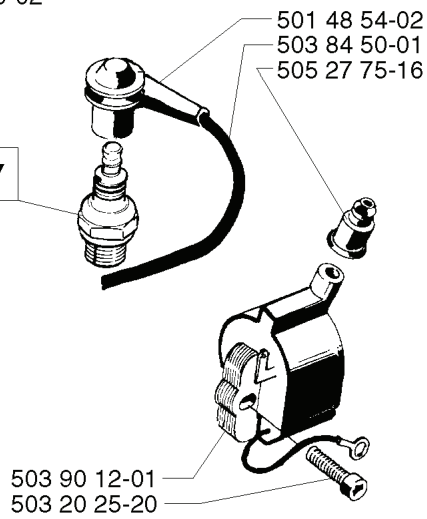
| REF. | PART NO. | DESCRIPTION | REMARK | QTY. | KIT |
|--------------|-----------|----------------------|--------|------|-----|
| 502 28 37-05 | 502283705 | THROTTLE HANDLE ASSY | | 1 | |
| 502 11 79-06 | 502117906 | HANDLEBAR | | 1 | |
| 502 17 50-05 | 502175005 | HANDLEBAR LEFT | | 1 | |
| 502 14 51-02 | 502145102 | HANDLE | | 1 | |
| 502 27 92-03 | 502279203 | WIRING ASSY | | 1 | |
| 537 06 72-01 | 537067201 | NUT SQUARE | | 1 | |
| 502 28 36-03 | 502283603 | CLAMP | | 1 | |
| 502 14 50-04 | 502145004 | THROTTLE TRIGGER | | 1 | |
| 502 19 92-01 | 502199201 | THROTTLE TRIGGER | | 1 | |
| 729 52 52-75 | 729525275 | SCREW CRPANT | | 1 | |
| 502 19 94-01 | 502199401 | THROTTLE LOCKOUT | | 1 | |
| 502 14 43-05 | 502144305 | BUSHING | | 1 | |
| 502 20 38-01 | 502203801 | KNOB | | 1 | |
| 720 12 12-20 | 720121220 | PARALLEL PIN | | 1 | |
| 502 14 44-01 | 502144401 | SPRING | | 1 | |
| 502 20 85-06 | 502208506 | HANDLE HALF | | 1 | |
| 502 14 47-01 | 502144701 | THROTTLE LOCKOUT | | 1 | |
| 502 20 86-06 | 502208606 | HANDLE HALF | | 1 | |
| 502 21 12-01 | 502211201 | STAPLE | | 1 | |
| 503 20 07-35 | 503200735 | SCREW IHSCFM | | 1 | |
| 503 23 00-11 | 503230011 | WASHER | | 1 | |
| 502 27 63-01 | 502276301 | HANDLEBAR BRACKET | | 1 | |
| 537 06 71-01 | 537067101 | SLEEVE | | 1 | |
| 502 27 64-01 | 502276401 | HANDLEBAR BRACKET | | 1 | |
| 502 27 92-01 | 502279201 | WIRING ASSY | | 1 | |
| 502 28 33-03 | 502283303 | HANDLE | | 1 | |
| 502 28 44-01 | 502284401 | SPRING | | 1 | |
| 502 27 93-01 | 502279301 | GAS WIRE ASSY | | 1 | |
| 502 28 06-11 | 502280611 | HANDLE | | 1 | |
| 502 28 21-01 | 502282101 | WASHER | | 1 | |
| 503 22 65-04 | 503226504 | SQUARE NUT | | 2 | |
| 502 28 60-08 | 502286008 | GAS WIRE | | 1 | |
| 502 28 26-01 | 502282601 | HOSE | | 1 | |
| 503 21 67-22 | 503216722 | SCREW IHSCFT | | 1 | |
| 502 28 35-02 | 502283502 | HUB CAP | | 1 | |
| 502 28 34-02 | 502283402 | STARTER PULLEY | | 1 | |
| 502 06 28-01 | 502062801 | RECOIL SPRING | | 1 | |
| 502 22 38-01 | 502223801 | PIPE | | 1 | |
| 503 20 07-25 | 503200725 | SCREW IHSCFM | | 1 | |
| 503 71 82-01 | 503718201 | SWITCH | | 1 | |
| 503 79 41-01 | 503794101 | RECOIL SPRING | | 1 | |

| REF. | PART NO. | DESCRIPTION | REMARK | QTY. | KIT |
|------------------|-----------|-------------|--------|------|-----|
| 725 23 82- 88 | 725238288 | SCREW EHHM | | 1 | |

L

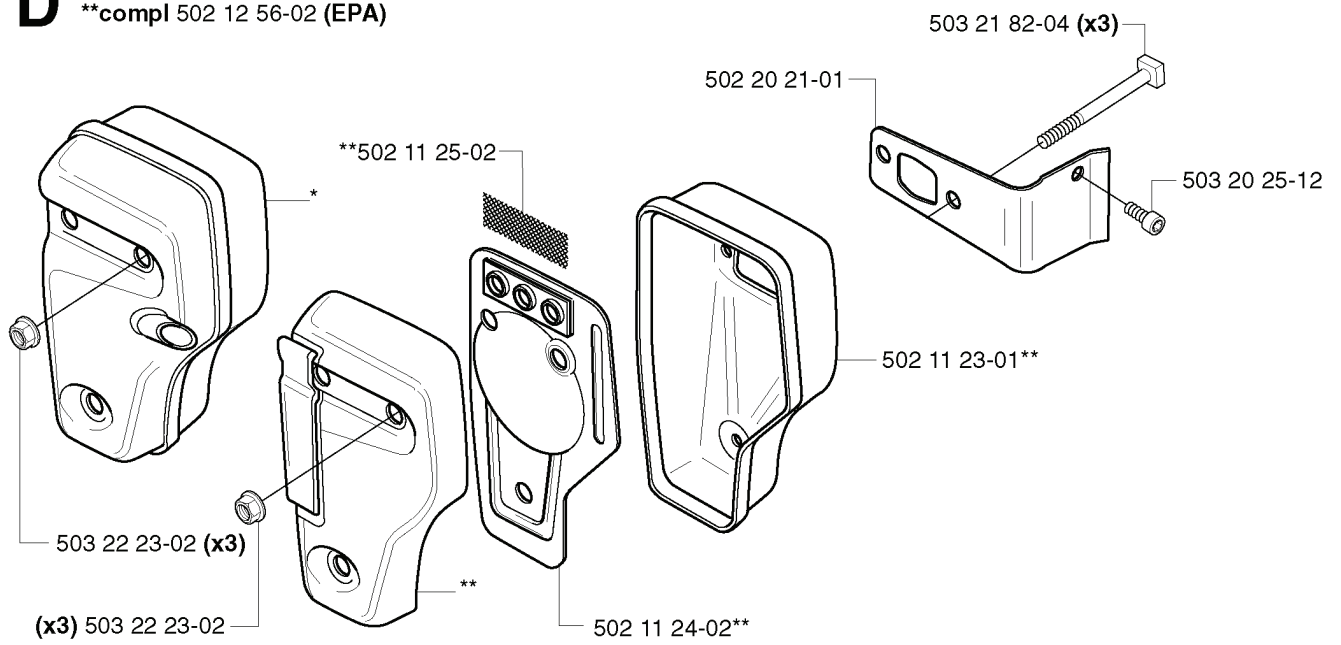
*compl 503 79 00-02

503 23 51-08
Champion RCJ 7Y
503 23 51-11
NGK BPMR 7A

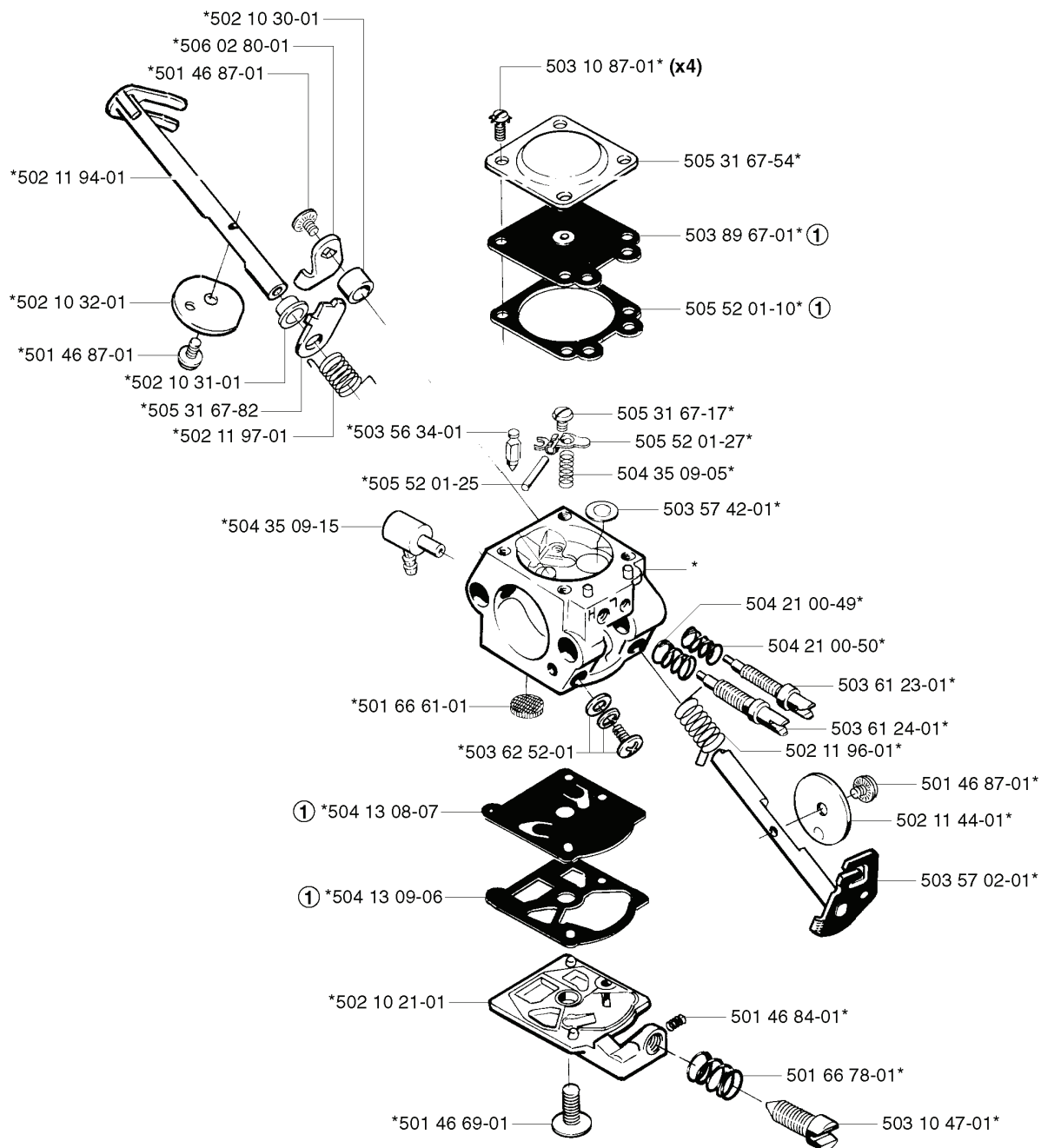


| REF. | PART NO. | DESCRIPTION | REMARK | QTY. | KIT |
|------------|-----------|-------------------|-----------------|------|-----|
| 5037900-02 | 503790002 | FLYWHEEL | | 1 | |
| 5032351-08 | 503235108 | SPARK PLUG | CHAMPION RCJ 7Y | 1 | |
| 5032351-11 | 503235111 | SPARK PLUG | NGK BPMR 7A | 1 | |
| 5039012-01 | 503901201 | ELECTRONIC MODULE | | 1 | |
| 5032025-20 | 503202520 | SCREW IHSCM | | 1 | |
| 5037832-01 | 503783201 | SPRING | | 1 | |
| 5032300-42 | 503230042 | WASHER | | 1 | |
| 5052775-16 | 505277516 | CABLE SLEEVE | | 1 | |
| 5038450-01 | 503845001 | CABLE | | 1 | |
| 5014854-02 | 501485402 | SPARK PLUG CAP | | 1 | |
| 5018199-03 | 501819903 | SCREW | | 1 | |
| 5037102-03 | 503710203 | STARTER PAWL | | 1 | |
| 5032210-11 | 503221011 | HEXAGON NUT | | 1 | |
| 5032301-01 | 503230101 | WASHER | | 1 | |

D *compl 502 11 22-03
**compl 502 12 56-02 (EPA)



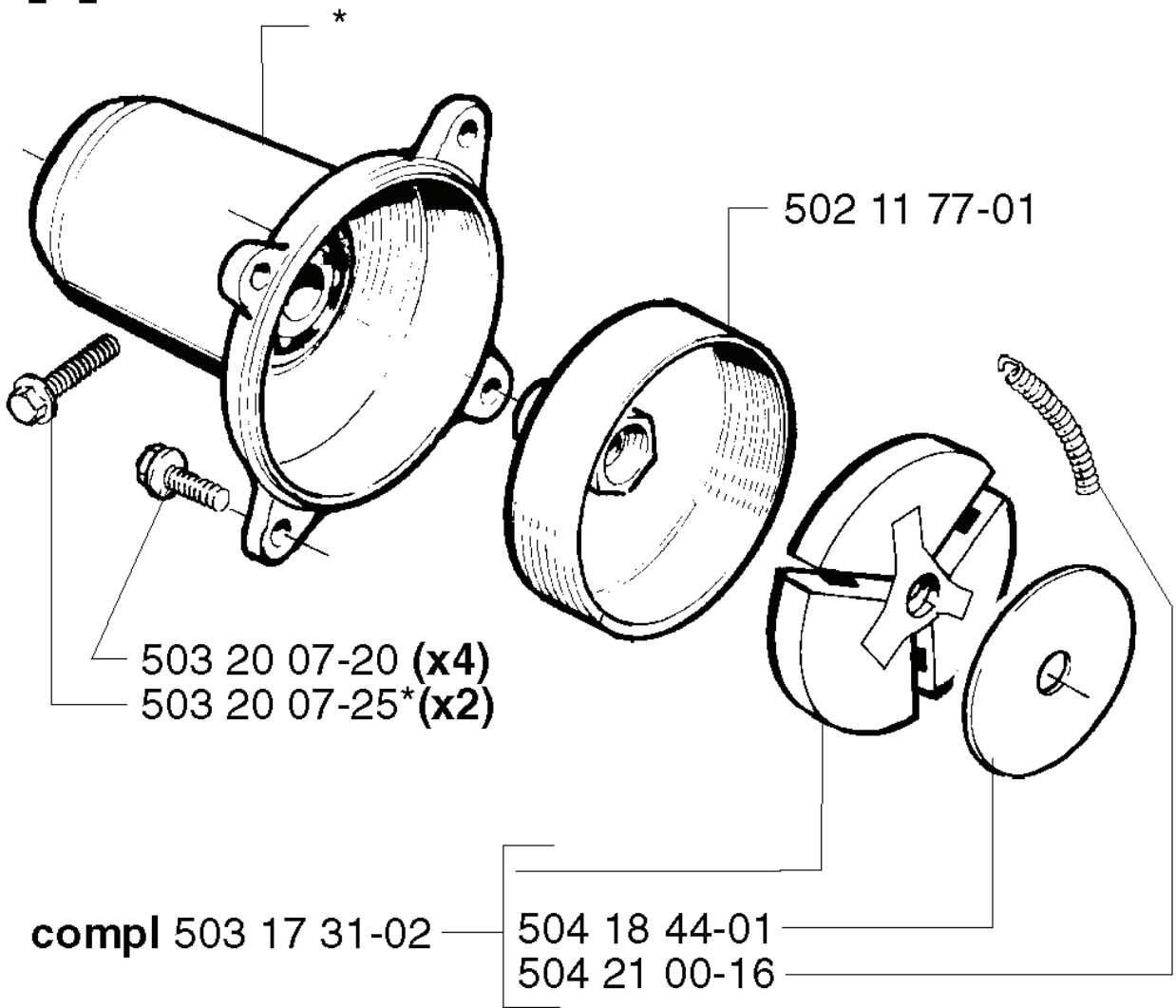
| REF. | PART NO. | DESCRIPTION | REMARK | QTY. | KIT |
|--------------|-----------|-----------------------|--------|------|-----|
| 502 11 22-03 | 502112203 | MUFFLER ASSY | | 1 | |
| 502 12 56-02 | 502125602 | MUFFLER ASSY | EPA | 1 | |
| 503 22 23-02 | 503222302 | LOCK NUT | | 3 | |
| 502 11 25-02 | 502112502 | SPARK ARRESTER SCREEN | | 1 | |
| 502 11 24-02 | 502112402 | BAFFLE PLATE | | 1 | |
| 502 11 23-01 | 502112301 | MUFFLER REAR HALF | | 1 | |
| 502 20 21-01 | 502202101 | HEAT DEFLECTOR | | 1 | |
| 503 20 25-12 | 503202512 | SCREW IHSCM | | 1 | |
| 503 21 82-04 | 503218204 | SCREW | | 3 | |



- ① 502 10 35-01
Set of gaskets
Dichtungssatz
Juego de juntas
Jeu de joints
Packningssats

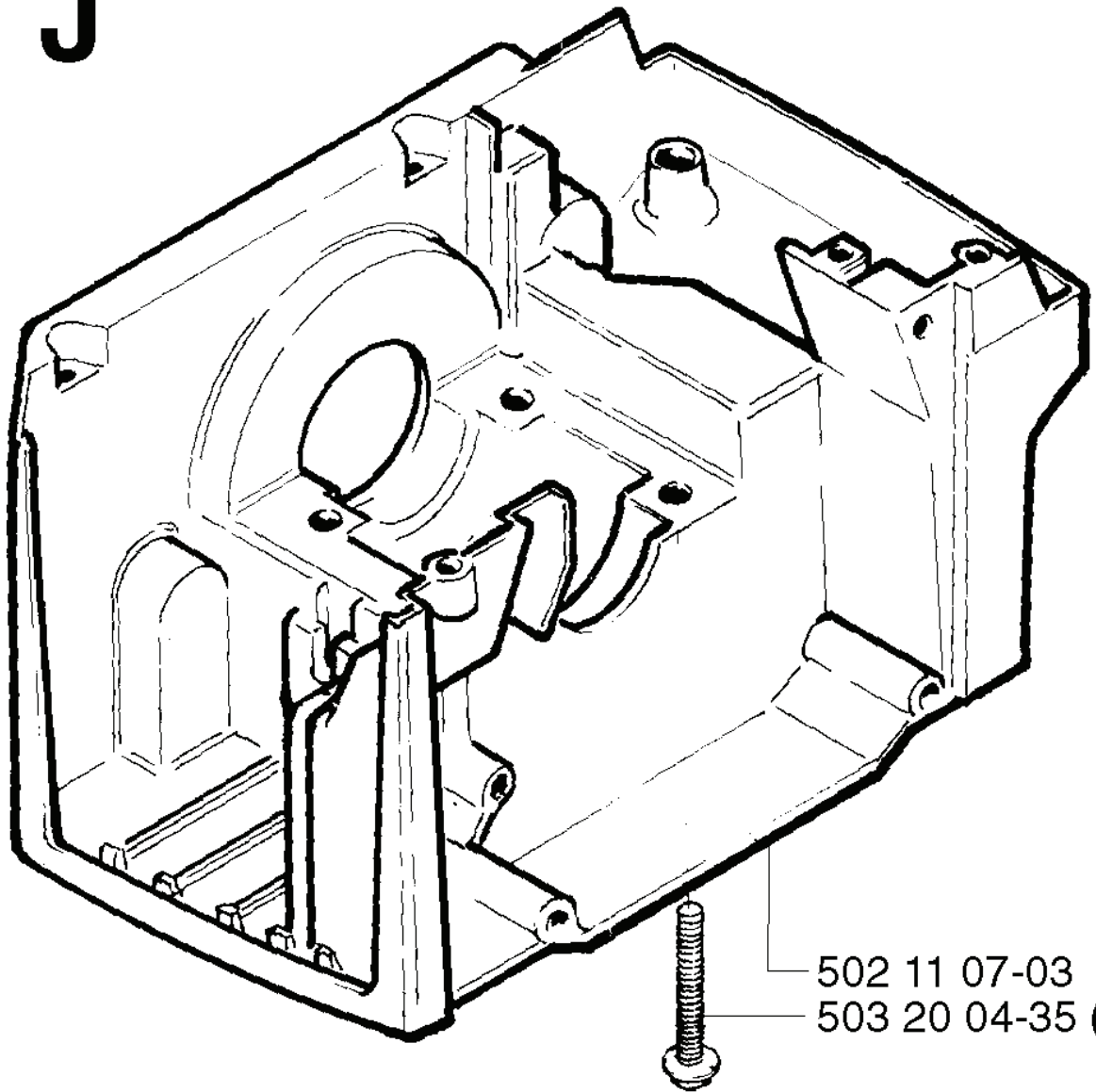
| REF. | PART NO. | DESCRIPTION | REMARK | QTY. | KIT |
|--------------|-----------|-------------------|-----------------------------|------|-----|
| 503 28 13-20 | 503281320 | CARBURETTOR | | 1 | |
| 502 10 30-01 | 502103001 | DISTANCE | | 1 | |
| 506 02 80-01 | 506028001 | STARTGASARM | | 1 | |
| 502 11 94-01 | 502119401 | CHOKE SHAFT | | 1 | |
| 502 10 32-01 | 502103201 | CHOKE SKIVA | | 1 | |
| 502 10 31-01 | 502103101 | BUSHING | | 1 | |
| 505 31 67-82 | 505316782 | LEVER | | 1 | |
| 502 11 97-01 | 502119701 | RECOIL SPRING | | 1 | |
| 504 35 09-15 | 504350915 | FITTING | | 1 | |
| 501 66 61-01 | 501666101 | SCREEN | | 1 | |
| 504 13 08-07 | 504130807 | DIAPHRAGM PUMP | 503 48 21-01 SET OF GASKETS | 1 | |
| 504 13 09-06 | 504130906 | GASKET | 503 48 21-01 SET OF GASKETS | 1 | |
| 502 10 21-01 | 502102101 | LOCK PUMPSIDA | | 1 | |
| 501 46 69-01 | 501466901 | SCREW | | 1 | |
| 502 10 35-01 | 502103501 | GASKET KIT | 503 48 21-01 SET OF GASKETS | 1 | |
| 503 62 52-01 | 503625201 | SCREW ASSY | | 1 | |
| 505 52 01-25 | 505520125 | PIN | | 1 | |
| 503 56 34-01 | 503563401 | NEEDLE VALVE | | 1 | |
| 501 46 84-01 | 501468401 | SPRING | | 1 | |
| 501 66 78-01 | 501667801 | SPRING | | 1 | |
| 503 10 47-01 | 503104701 | SCREW | | 1 | |
| 503 57 02-01 | 503570201 | SHAFT ASSY | | 1 | |
| 502 11 44-01 | 502114401 | THROTTLE DISC | | 1 | |
| 501 46 87-01 | 501468701 | SCREW | | 1 | |
| 502 11 96-01 | 502119601 | RECOIL SPRING | | 1 | |
| 503 61 24-01 | 503612401 | NEEDLE-HIGH SPEED | | 1 | |
| 503 61 23-01 | 503612301 | NEEDLE IDLE SPEED | | 1 | |
| 504 21 00-50 | 504210050 | SPRING | | 1 | |
| 504 21 00-49 | 504210049 | SPRING | | 1 | |
| 503 57 42-01 | 503574201 | PLUG | | 1 | |
| 504 35 09-05 | 504350905 | SPRING | | 1 | |
| 505 52 01-27 | 505520127 | LEVER | | 1 | |
| 505 31 67-17 | 505316717 | SCREW | | 1 | |
| 505 52 01-10 | 505520110 | GASKET | 503 48 21-01 SET OF GASKETS | 1 | |
| 503 89 67-01 | 503896701 | DIAPHRAGM | 503 48 21-01 SET OF GASKETS | 1 | |
| 505 31 67-54 | 505316754 | LOCK STYRMEMBRAN | | 1 | |
| 503 10 87-01 | 503108701 | SCREW | | 4 | |

H *compl 502 11 52-01



| REF. | PART NO. | DESCRIPTION | REMARK | QTY. | KIT |
|--------------|-----------|-------------------|--------|------|-----|
| 502 11 52-01 | 502115201 | CLUTCH COVER ASSY | | 1 | |
| 503 20 07-20 | 503200720 | SCREW IHSCFM | | 4 | |
| 503 20 07-25 | 503200725 | SCREW IHSCFM | | 2 | |
| 503 17 31-02 | 503173102 | CLUTCH | | 1 | |
| 504 21 00-16 | 504210016 | CLUTCH SPRING | | 1 | |
| 504 18 44-01 | 504184401 | WASHER | | 1 | |
| 502 11 77-01 | 502117701 | CLUTCH DRUM ASSY | | 1 | |

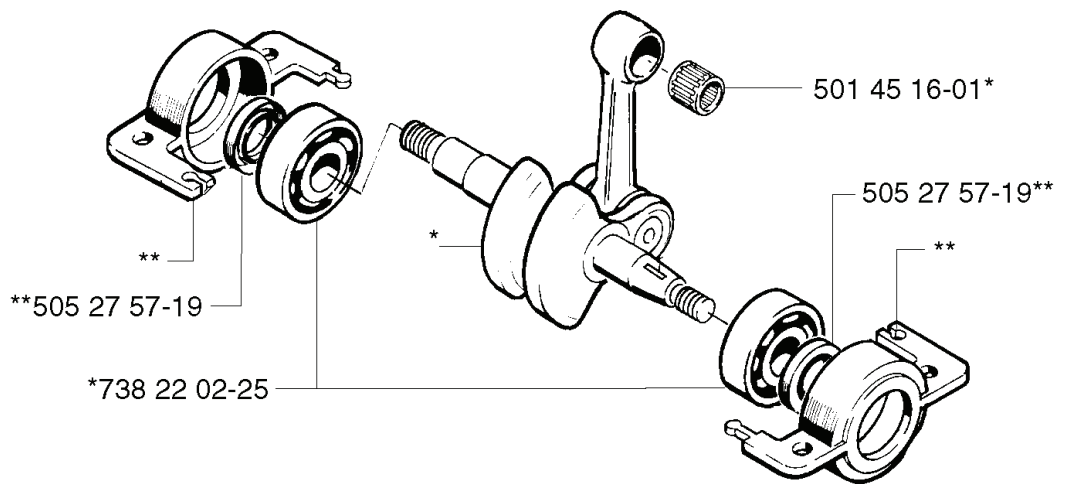
J



502 11 07-03
503 20 04-35 (x4)

| REF. | PART NO. | DESCRIPTION | REMARK | QTY. | KIT |
|------------------|-----------|--------------|--------|------|-----|
| 502 11 07- 03 | 502110703 | CRANKCASE | | 1 | |
| 503 20 04- 35 | 503200435 | SCREW IHSCFM | | 4 | |

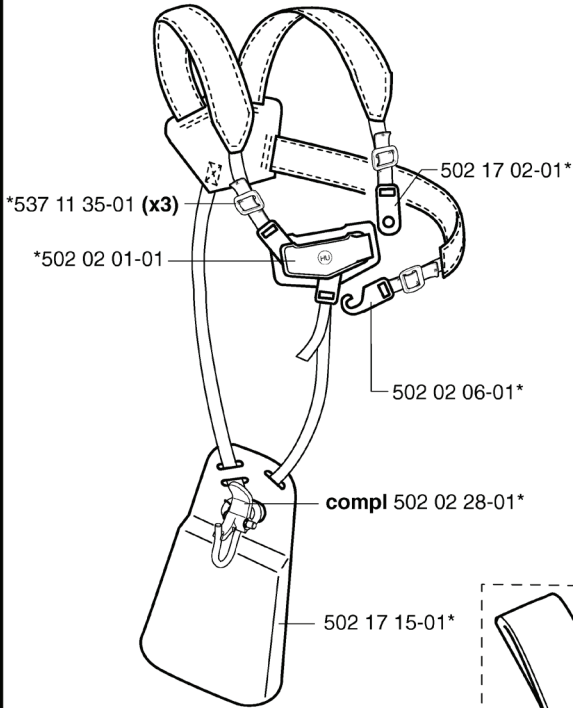
G *compl 503 57 38-06
**compl 502 23 02-01



| REF. | PART NO. | DESCRIPTION | REMARK | QTY. | KIT |
|--------------|-----------|-----------------|--------|------|-----|
| 503 57 38-06 | 503573806 | CRANKSHAFT ASSY | | 1 | |
| 502 23 02-01 | 502230201 | SHAFT SEAT | | 1 | |
| 505 27 57-19 | 505275719 | SEALING RING | | 1 | |
| 738 22 02-25 | 738220225 | BALL BEARING | | 1 | |
| 501 45 16-01 | 501451601 | NEEDLE BEARING | | 1 | |

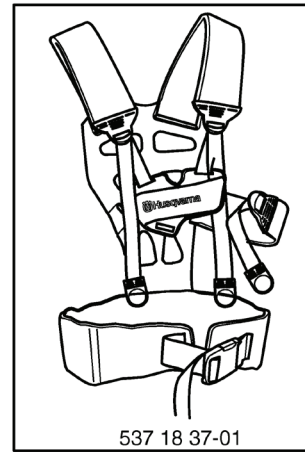
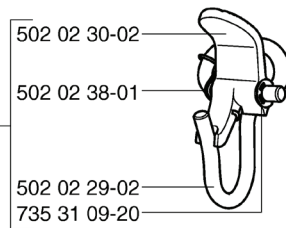
T

240R, 245R
*compl 502 02 00-02
*compl 502 02 00-03 **US**

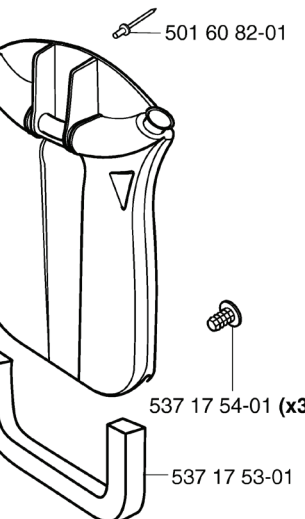
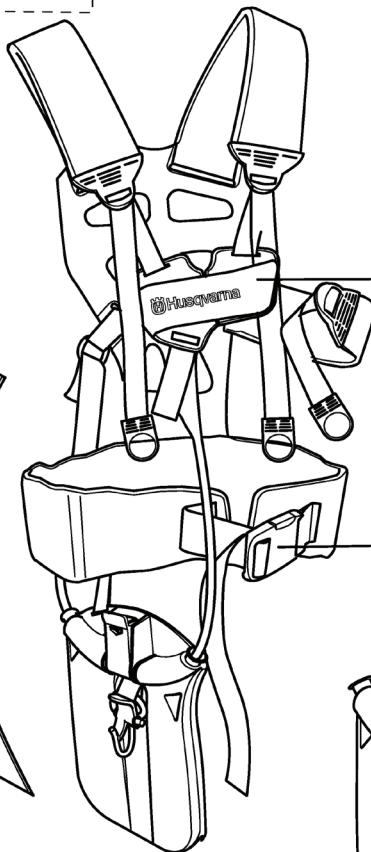
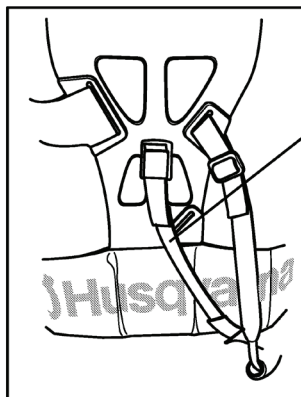
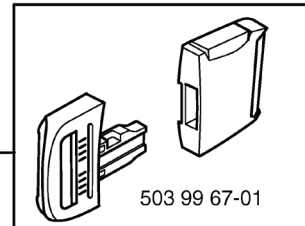
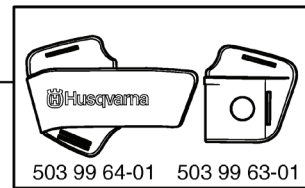
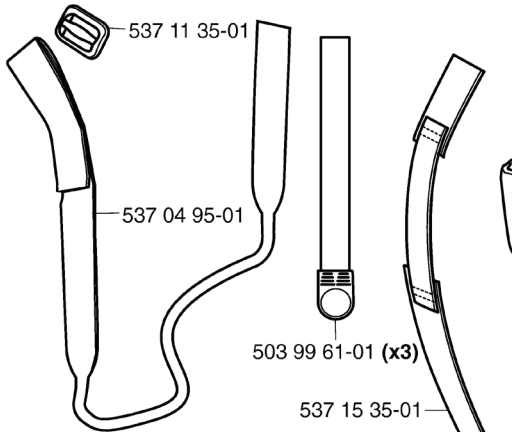


240R
245R
245RX

compl 502 02 28-01



245RX
compl 531 00 92-08
compl 531 00 92-09 **US**



| REF. | PART NO. | DESCRIPTION | REMARK | QTY. | KIT |
|--------------|-----------|--------------|--------|------|-----|
| 502 02 00-02 | 502020002 | HARNESS | | 1 | |
| 502 02 00-03 | 502020003 | HARNESS | US | 1 | |
| 537 11 35-01 | 537113501 | RETAINER | | 3 | |
| 502 02 01-01 | 502020101 | FRONT PIECE | | 1 | |
| 531 00 92-08 | 531009208 | HARNESS | 245RX | 1 | |
| 531 00 92-09 | 531009209 | HARNESS | US | 1 | |
| 537 04 95-01 | 537049501 | BAND | | 1 | |
| 503 99 61-01 | 503996101 | BAND | | 3 | |
| 537 15 35-01 | 537153501 | STRAP | | 1 | |
| 502 02 28-03 | 502022803 | WELT HOOK | | 1 | |
| 537 04 93-01 | 537049301 | HIP PAD | | 1 | |
| 537 04 92-01 | 537049201 | HIP PAD | | 1 | |
| 537 04 94-01 | 537049401 | HIP PAD | | 1 | |
| 537 17 12-01 | 537171201 | HIP PAD | | 1 | |
| 503 99 59-01 | 503995901 | HIP PAD | | 1 | |
| 502 17 15-01 | 502171501 | HIP PAD | | 1 | |
| 502 02 28-01 | 502022801 | HOOK | | 1 | |
| 502 02 06-01 | 502020601 | CLAMP COMPL. | | 1 | |
| 502 17 02-01 | 502170201 | BUCKLE | | 1 | |
| 537 17 53-01 | 537175301 | HIP PAD | | 1 | |
| 537 17 54-01 | 537175401 | HIP PAD | | 3 | |
| 501 60 82-01 | 501608201 | RIVET | | 1 | |
| 503 99 67-01 | 503996701 | BUCKLE | | 1 | |
| 503 99 63-01 | 503996301 | FRONT PIECE | | 1 | |
| 503 99 64-01 | 503996401 | FRONT PIECE | | 1 | |
| 537 18 37-01 | 537183701 | HARNESS | | 1 | |
| 735 31 09-20 | 735310920 | E-CLIP | | 1 | |
| 502 02 29-02 | 502022902 | HOOK | | 1 | |
| 502 02 38-01 | 502023801 | SPRING | | 1 | |
| 502 02 30-02 | 502023002 | LOCK | | 1 | |