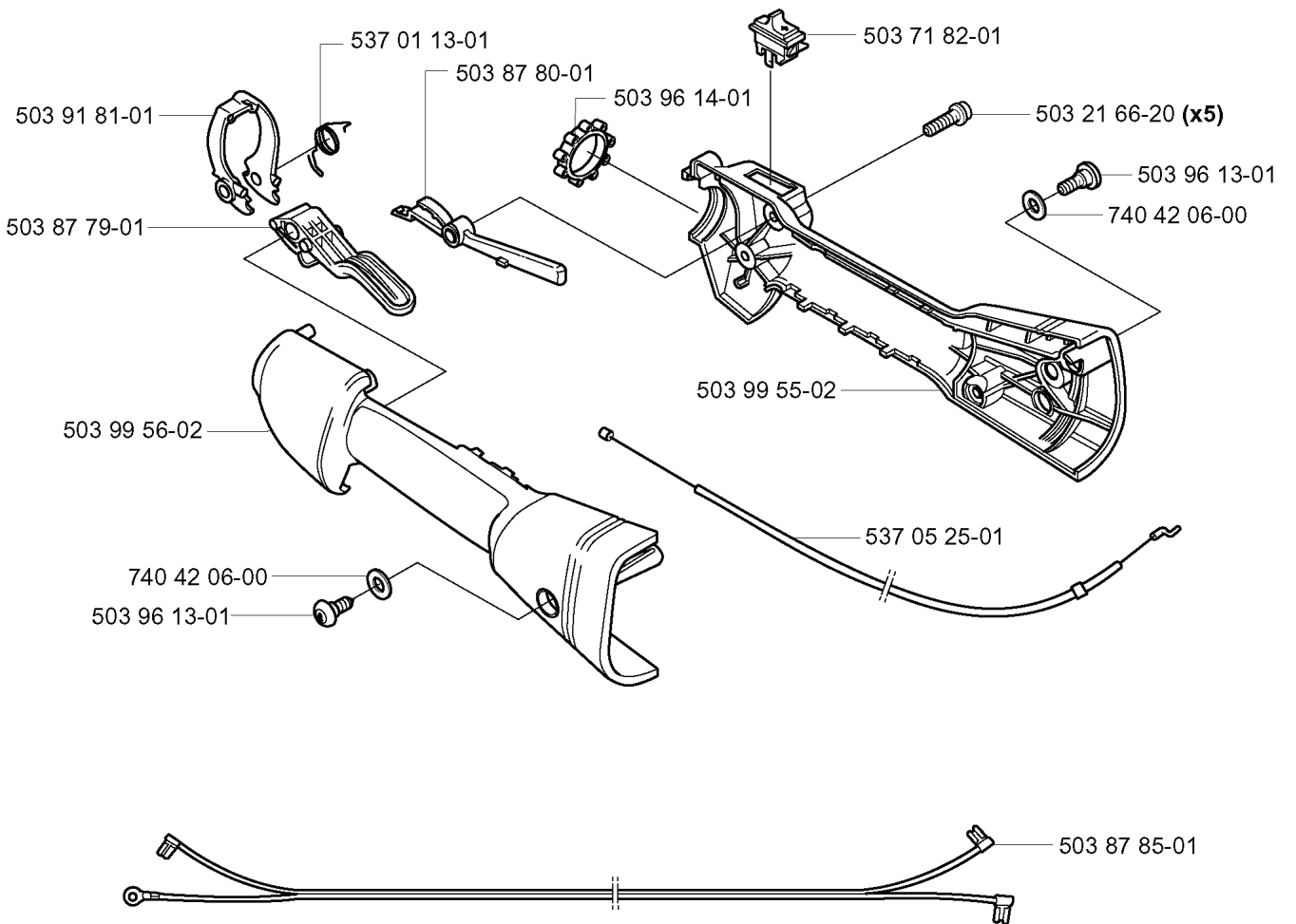


5 HDA55 X-SERIES, 20040100001-2005060

SPARE PARTS LIST

D

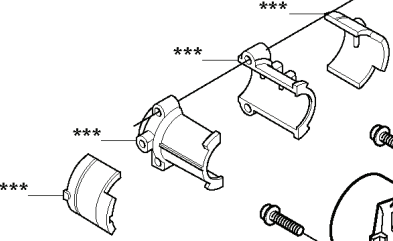


REF.	PART NO.	DESCRIPTION	REMARK	QTY.	KIT
5039181-01	503918101	THROTTLE LEVER		1	
5038779-01	503877901	THROTTLE TRIGGER		1	
5039956-02	503995602	HANDLE HALF		1	
7404206-00	740420600	O-RING		1	
5038780-01	503878001	THROTTLE LOCKOUT		1	
5370113-01	537011301	RECOIL SPRING		1	
5039614-01	503961401	ABSORBER		1	
5039955-02	503995502	HANDLE HALF		1	
5038785-01	503878501	SHORT CIRCUIT CABLE		1	
5370525-01	537052501	THROTTLE CABLE ASSY		1	
5039613-01	503961301	SCREW		1	
5032166-20	503216620	SCREW IHSC		5	
5037182-01	503718201	SWITCH		1	

L

***compl 537 30 96-01

503 21 68-25*** (x2)

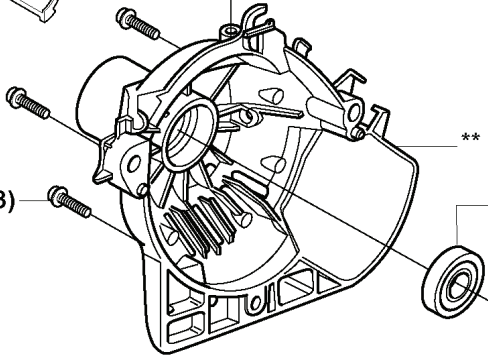


503 21 68-20**
537 07 36-01

**compl 537 04 12-03

*compl 537 04 11-01

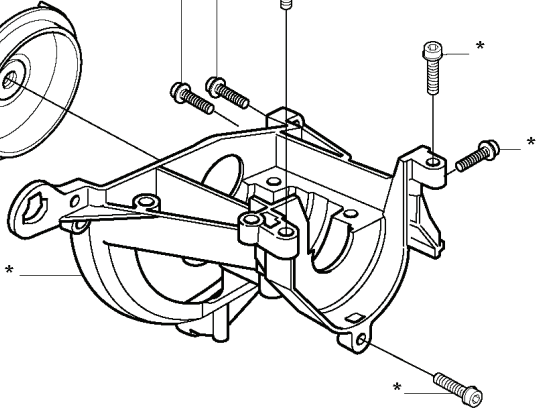
*503 21 68-20 (x3)



537 08 86-01

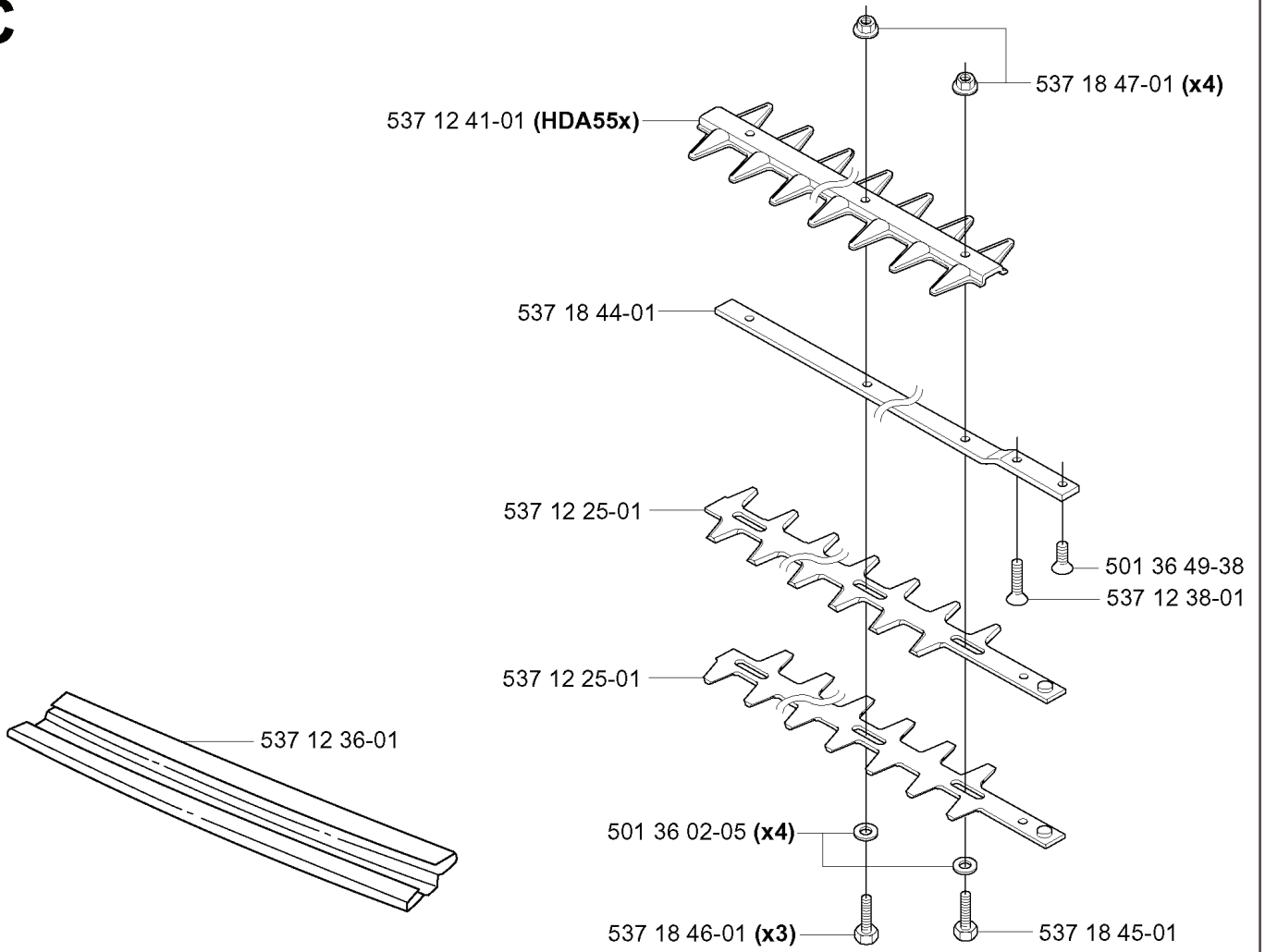
*503 21 71-16

503 21 68-20* (x4)



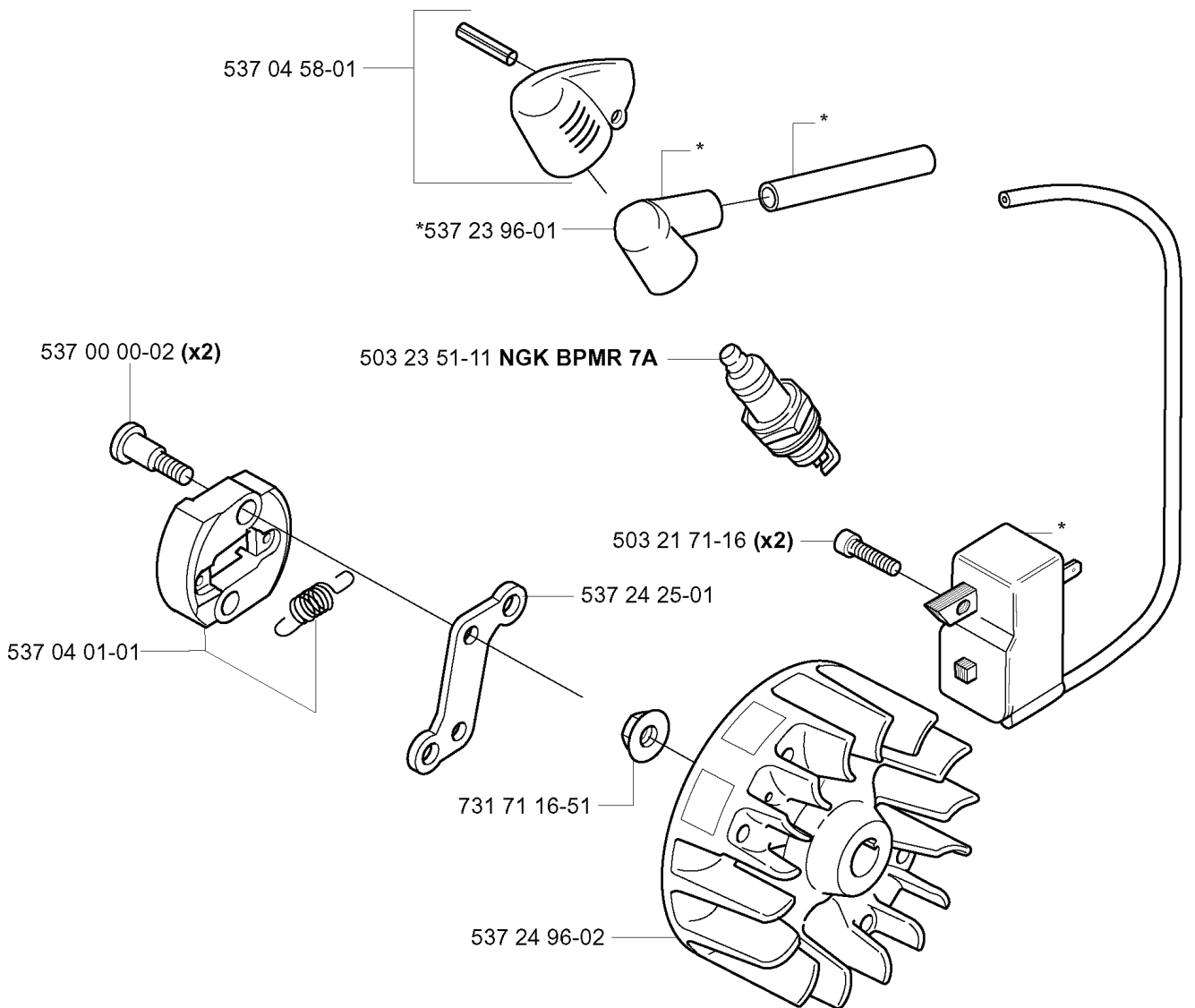
REF.	PART NO.	DESCRIPTION	REMARK	QTY.	KIT
537 30 96-01	537309601	SLEEVE		1	
503 21 68-20	503216820	SCREW IHSCFT		3	
537 08 86-01	537088601	CLUTCH DRUM ASSY		1	
537 07 36-01	537073601	SPRING		1	
503 21 68-25	503216825	SCREW IHSCFT		2	
537 04 12-03	537041203	CLUTCH COVER		1	
503 21 71-16	503217116	SCREW IHSCFT		1	
537 04 11-01	537041101	CRANKCASE		1	

C



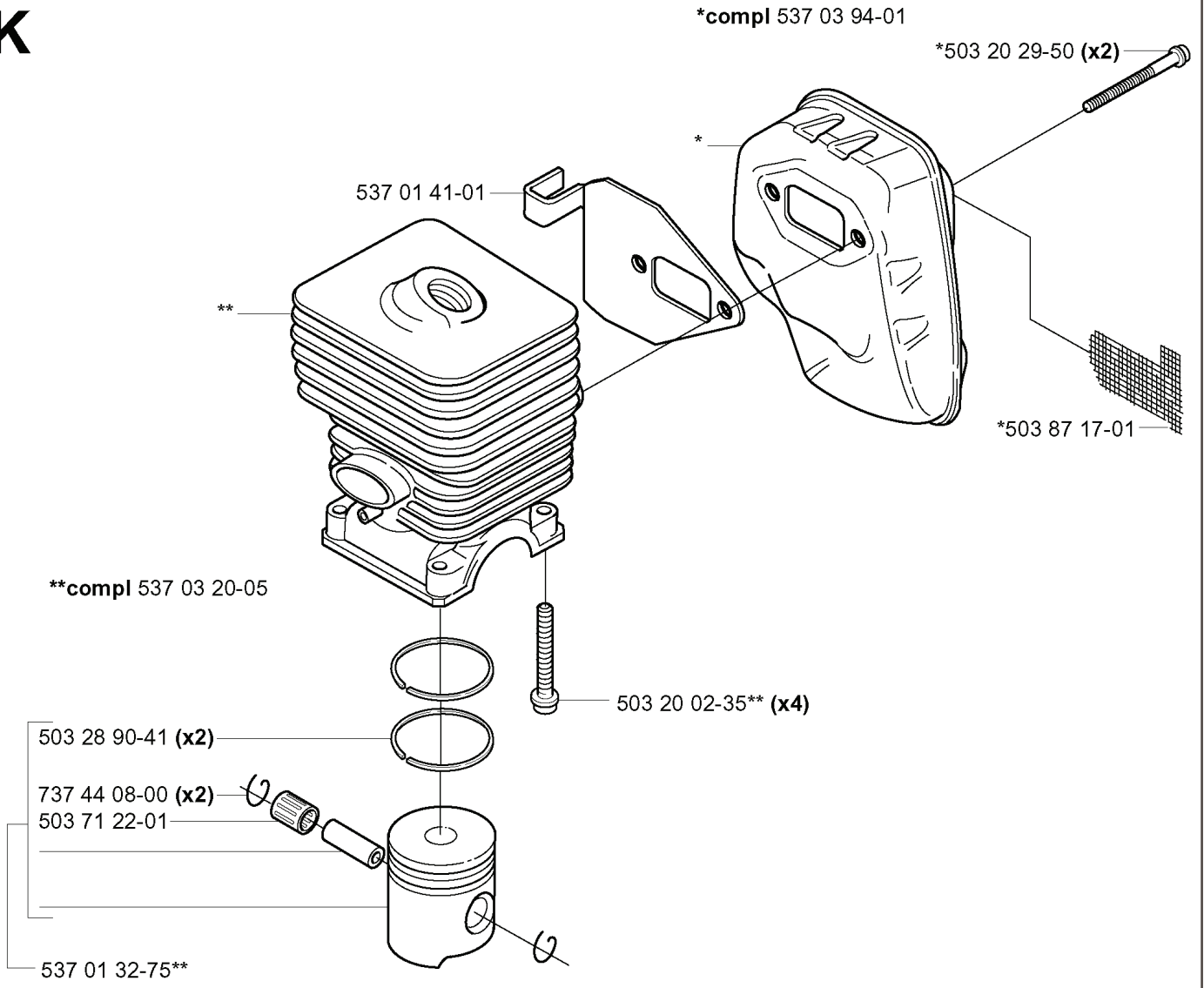
REF.	PART NO.	DESCRIPTION	REMARK	QTY.	KIT
537 12 41-01	537124101	PROTECTIVE PLATE	HDA55X	1	
537 12 36-01	537123601	KNIFE COVER		1	
537 18 46-01	537184601	SCREW		3	
501 36 02-05	501360205	WASHER		4	
537 12 25-01	537122501	BLADE		1	
537 18 44-01	537184401	GUIDE RAIL		1	
537 18 45-01	537184501	SCREW		1	
537 12 38-01	537123801	SCREW		1	
501 36 49-38	501364938	SCREW		1	
537 18 47-01	537184701	NUT		4	

J * compl 537 13 75-01



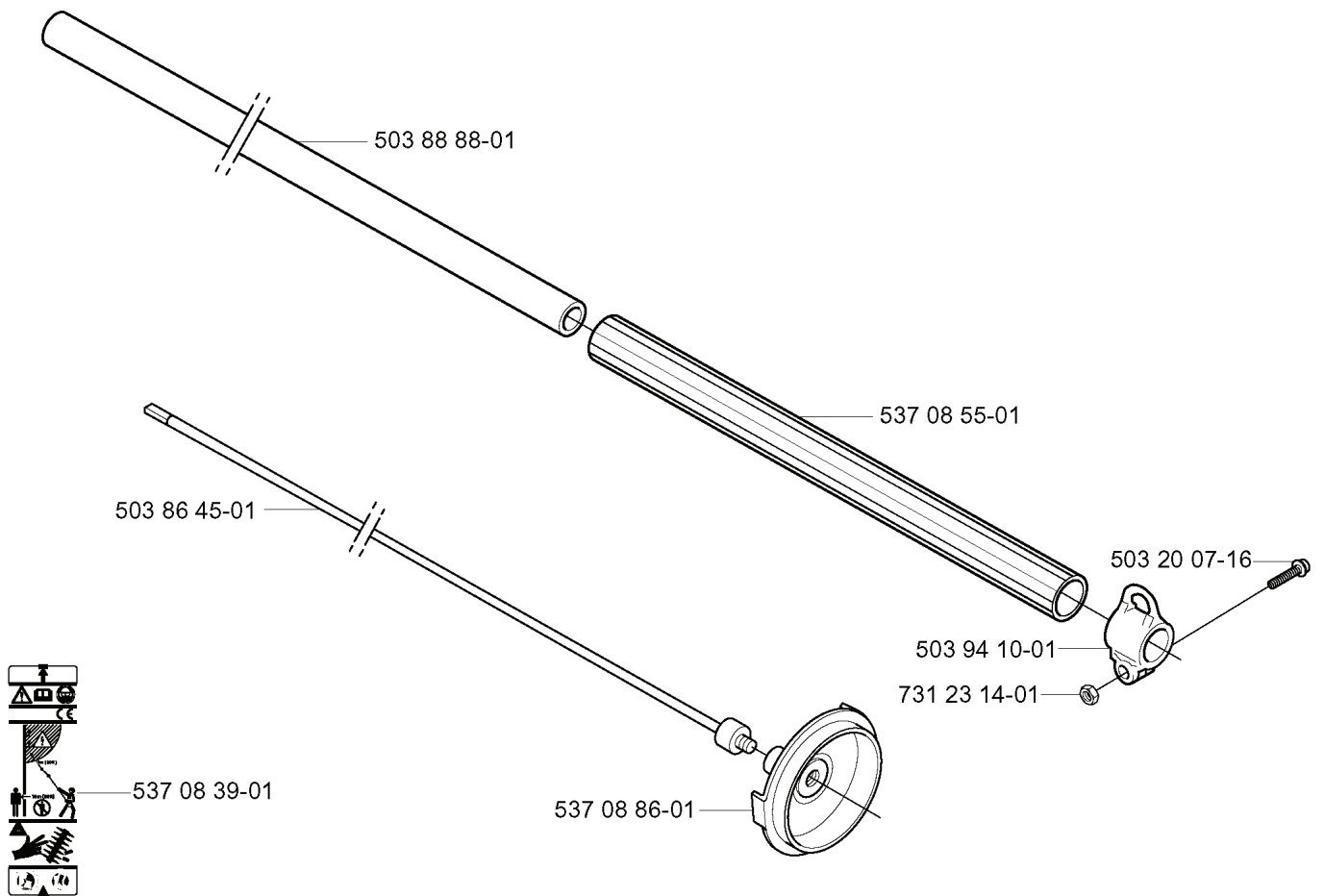
REF.	PART NO.	DESCRIPTION	REMARK	QTY.	KIT
537 1375-01	537137501	ELECTRONIC MODULE		1	
537 04 58-01	537045801	COVER		1	
537 00 00-02	537000002	SCREW		2	
537 04 01-01	537040101	CLUTCH ASSY		1	
537 24 96-02	537249602	FLYWHEEL		1	
731 71 16-51	731711651	HEXAGON NUT FLANGE		1	
537 24 25-01	537242501	CLUTCH HUB		1	
503 21 71-16	503217116	SCREW IHSCT		2	
503 23 51-11	503235111	SPARK PLUG	NGK BPMR 7A	1	
537 23 96-01	537239601	SPARK PLUG CAP		1	

K

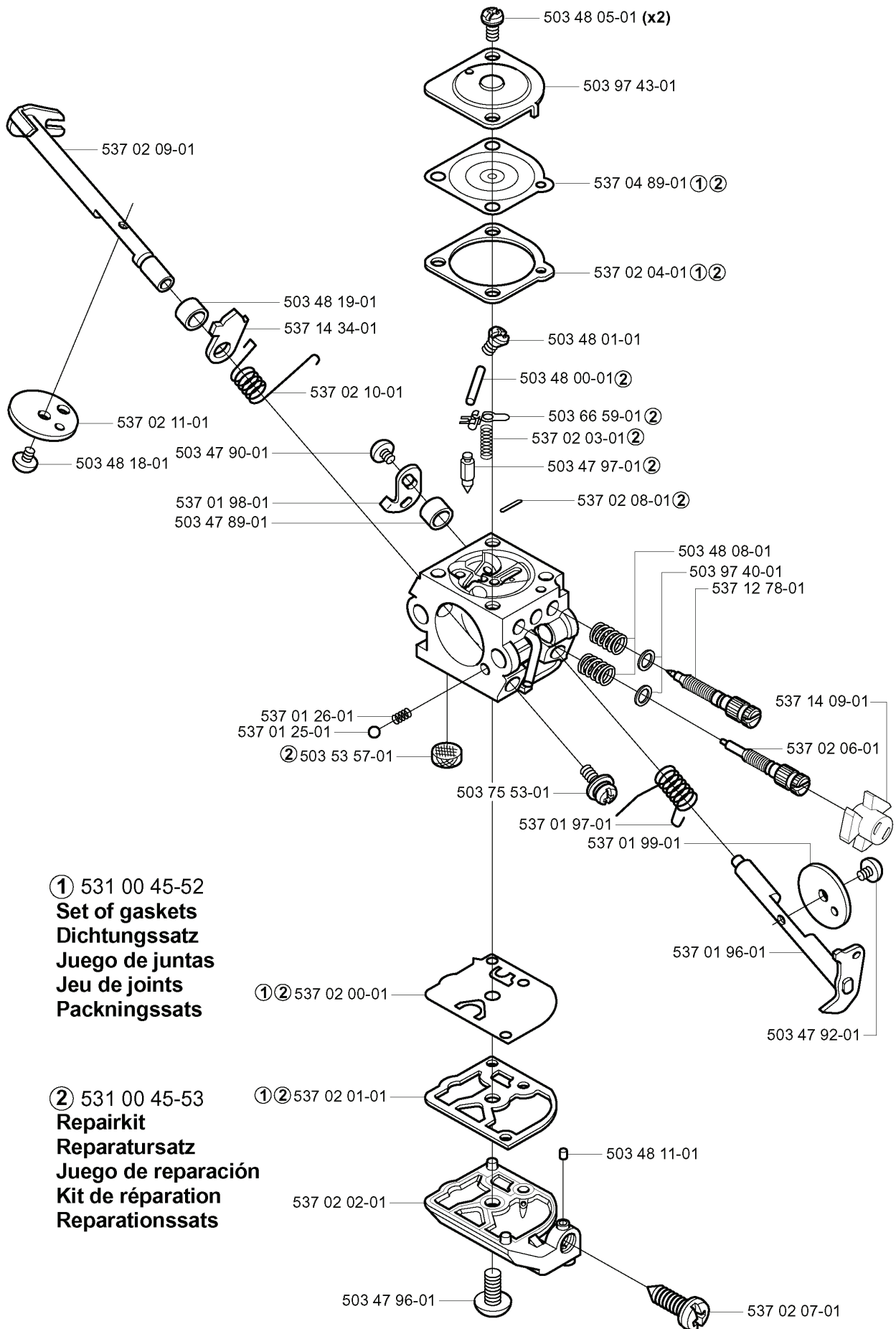


REF.	PART NO.	DESCRIPTION	REMARK	QTY.	KIT
537 01 41-01	537014101	GASKET		1	
537 03 20-05	537032005	PISTON		1	
503 28 90-41	503289041	PISTON RING		2	
737 44 08-00	737440800	CIRCLIP		2	
503 71 22-01	503712201	BEARING		1	
537 01 32-75	537013275	PISTON		1	
503 20 02-35	503200235	SCREW IHSCFM		4	
503 87 17-01	503871701	SPARK ARRESTER SCREEN		1	
503 20 29-50	503202950	SCREW IHSCFM		2	
537 03 94-01	537039401	MUFFLER ASSY		1	

B HE4x

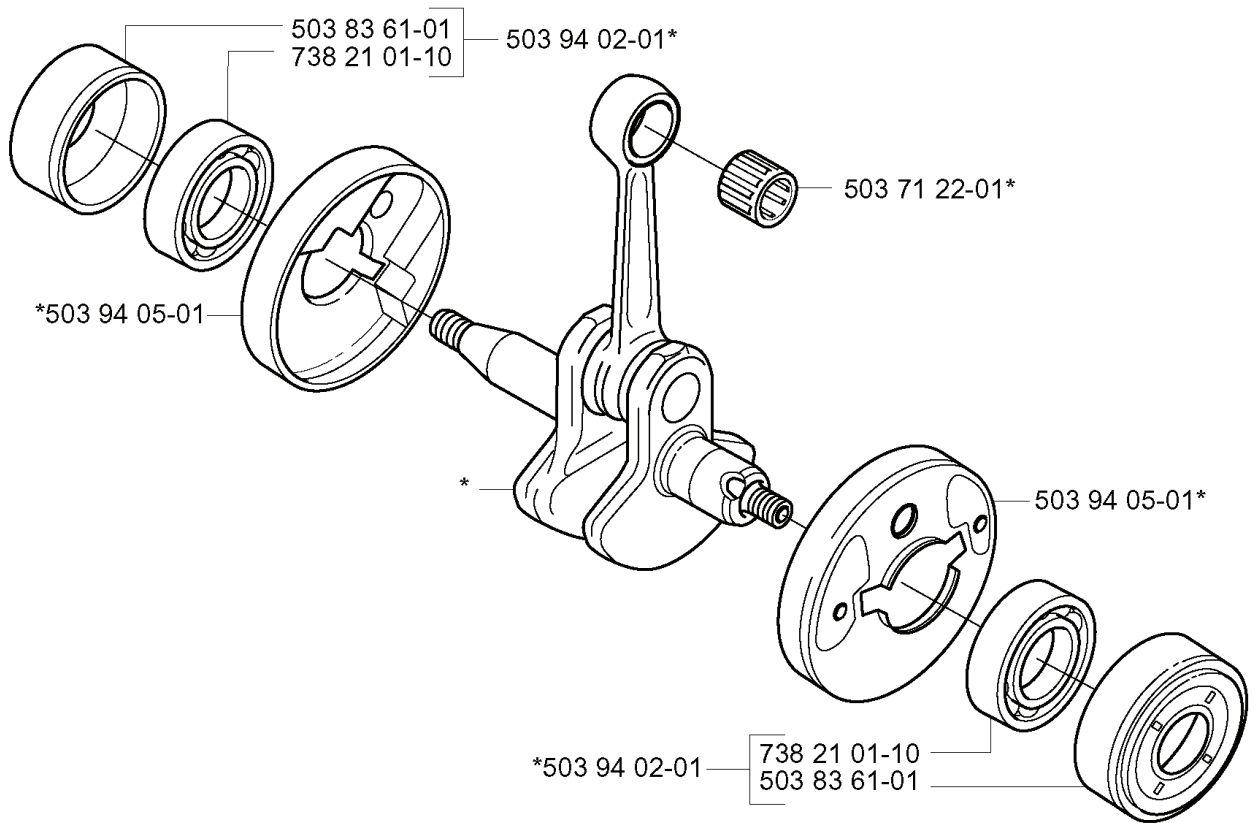


REF.	PART NO.	DESCRIPTION	REMARK	QTY.	KIT
503 88 88-01	503888801	TUBE		1	
503 86 45-01	503864501	DRIVE SHAFT		1	
537 08 39-01	537083901	LABEL		1	
537 08 86-01	537088601	CLUTCH DRUM ASSY		1	
731 23 14-01	731231401	HEXAGON NUT		1	
503 94 10-01	503941001	HOOK		1	
503 20 07-16	503200716	SCREW IHSCFM		1	
537 08 55-01	537085501	HANDLE		1	



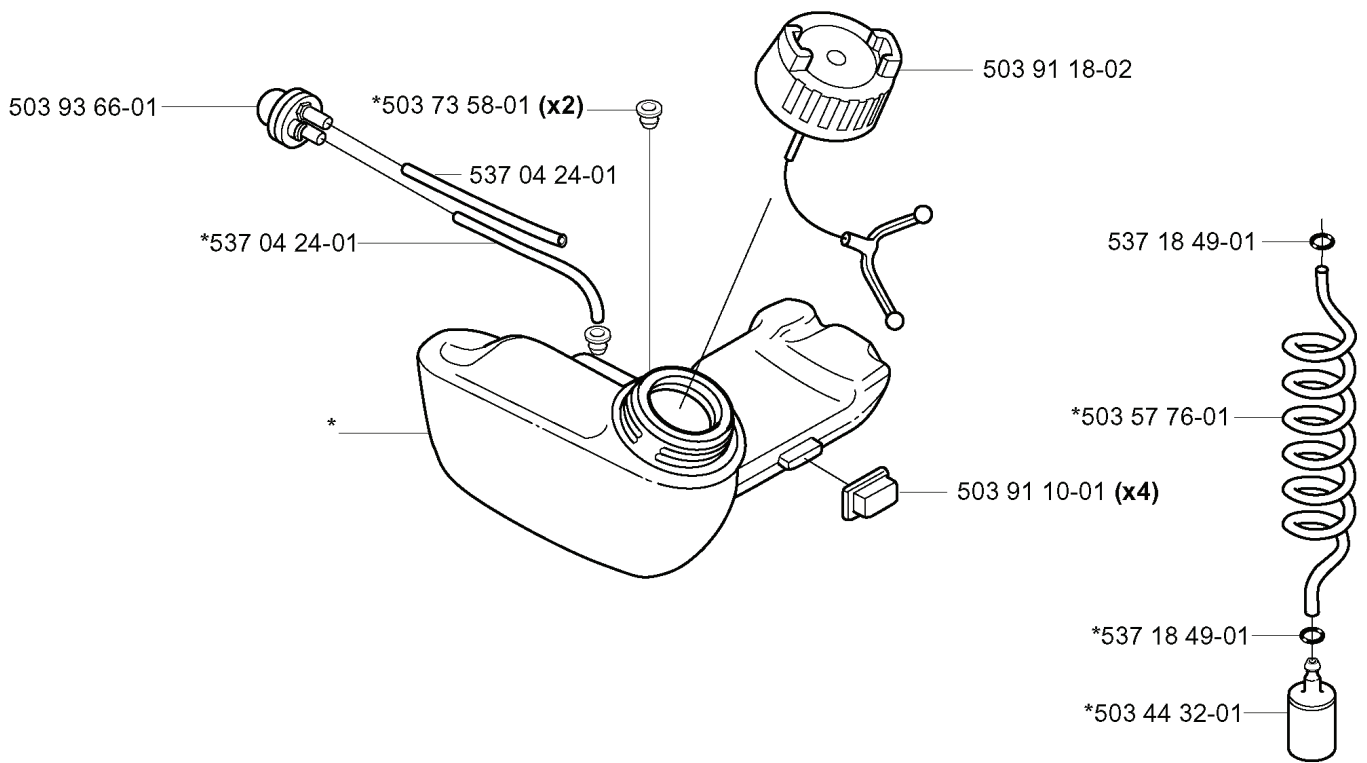
REF.	PART NO.	DESCRIPTION	REMARK	QTY.	KIT
503 28 31-13	503283113	CARBURETTOR		1	
537 02 09-01	537020901	SHAFT ASSY		1	
503 48 19-01	503481901	COLLAR		1	
537 14 34-01	537143401	LEVER		1	
537 02 10-01	537021001	SPRING		1	
537 02 11-01	537021101	VALVE		1	
503 48 18-01	503481801	SCREW		1	
503 47 90-01	503479001	SCREW		1	
537 01 98-01	537019801	LEVER		1	
503 47 89-01	503478901	COLLAR		1	
537 01 26-01	537012601	SPRING		1	
537 01 25-01	537012501	BALL		1	
503 53 57-01	503535701	STRAINER	531 00 45-53 REPAIRKIT	1	
537 02 00-01	537020001	DIAPHRAGM PUMP	531 00 45-52 SET OF GASKETS 531 00 45-53 REPAIRKIT	1	
537 02 01-01	537020101	GASKET	531 00 45-52 SET OF GASKETS 531 00 45-53 REPAIRKIT	1	
537 02 02-01	537020201	COVER		1	
503 47 96-01	503479601	SCREW		1	
537 02 07-01	537020701	SCREW		1	
503 48 11-01	503481101	PIECE		1	
503 47 92-01	503479201	SCREW		1	
537 01 96-01	537019601	SHAFT ASSY		1	
537 01 99-01	537019901	VALVE		1	
537 01 97-01	537019701	SPRING		1	
503 75 53-01	503755301	SCREW		1	
537 02 06-01	537020601	SCREW		1	
537 14 09-01	537140901	LIMITER CAP		1	
537 12 78-01	537127801	SCREW		1	
503 97 40-01	503974001	WASHER		1	
503 48 08-01	503480801	SPRING		1	
537 02 08-01	537020801	PLUG	531 00 45-53 REPAIRKIT	1	
503 47 97-01	503479701	VALVE	531 00 45-53 REPAIRKIT	1	
537 02 03-01	537020301	SPRING	531 00 45-53 REPAIRKIT	1	
503 66 59-01	503665901	LEVER	531 00 45-53 REPAIRKIT	1	
503 48 00-01	503480001	PIN RETAINING SCREW	531 00 45-53 REPAIRKIT	1	
503 48 01-01	503480101	SCREW		1	
537 02 04-01	537020401	GASKET	531 00 45-52 SET OF GASKETS 531 00 45-53 REPAIRKIT	1	
537 04 89-01	537048901	DIAPHRAGM	531 00 45-52 SET OF GASKETS 531 00 45-53 REPAIRKIT	1	
503 97 43-01	503974301	COVER		1	
503 48 05-01	503480501	SCREW		2	

M *compl 503 85 24-74



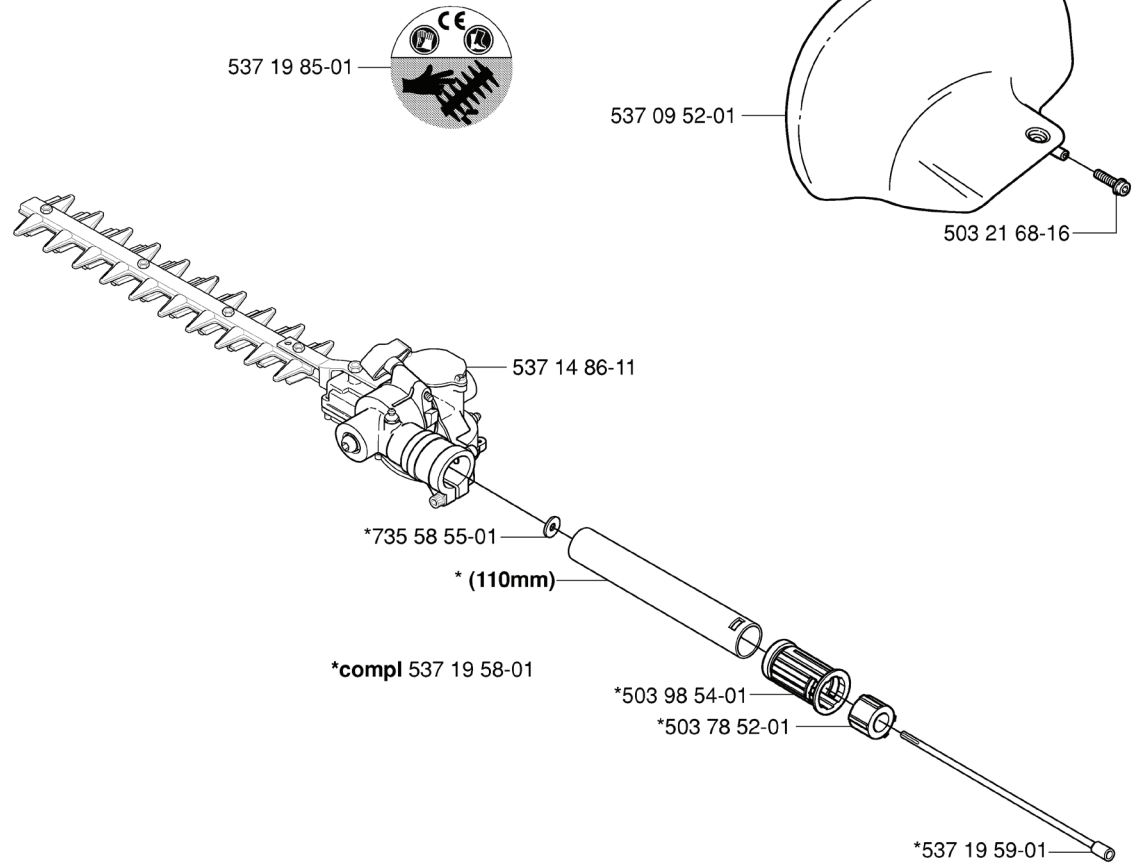
REF.	PART NO.	DESCRIPTION	REMARK	QTY.	KIT
503 85 24 74	503852474	CRANKSHAFT ASSY		1	
503 83 61- 01	503836101	BEARING CAGE		1	
738 21 01- 10	738210110	BALL BEARING		1	
503 94 05- 01	503940501	CUP		1	
503 71 22- 01	503712201	BEARING		1	
503 94 02- 01	503940201	BEARING CAGE		1	

H *compl 537 06 86-02

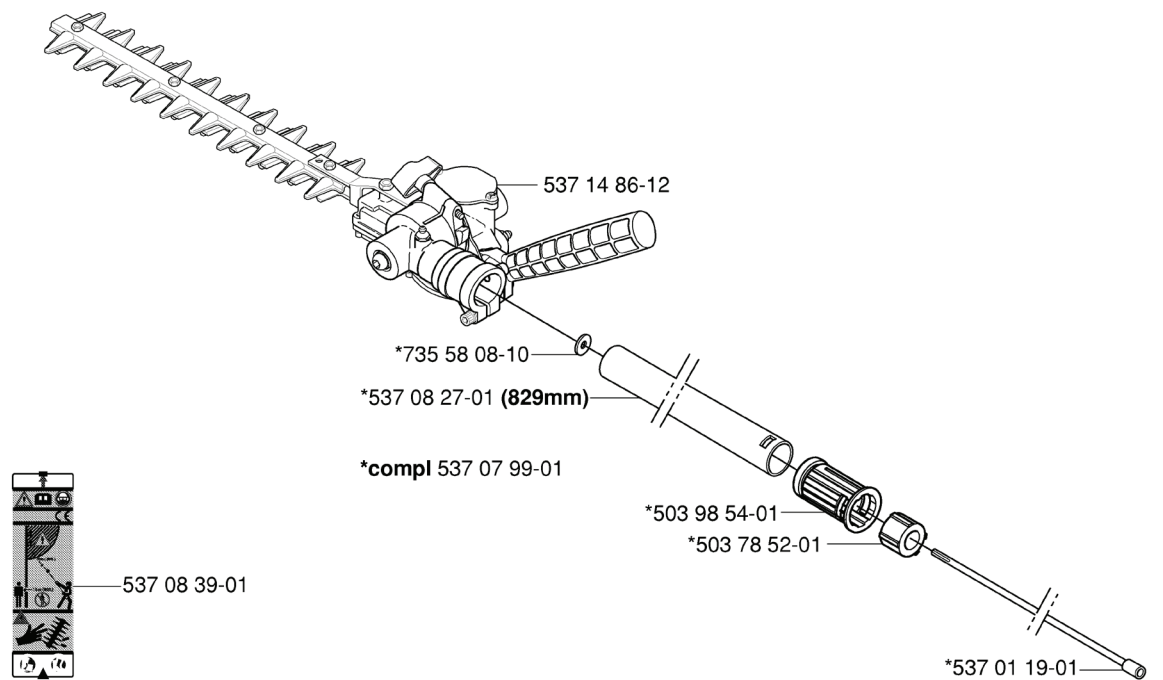


REF.	PART NO.	DESCRIPTION	REMARK	QTY.	KIT
5370686-02	537068602	FUEL TANK		1	
5039366-01	503936601	PURGE		1	
5370424-01	537042401	FUEL HOSE		1	
5037358-01	503735801	BUSHING		2	
5034432-01	503443201	FUEL FILTER		1	
5039110-01	503911001	SUSPENSION		4	
5035776-01	503577601	FUEL HOSE		1	
5371849-01	537184901	O-RING		1	
5039118-02	503911802	TANK CAP		1	

Q Hedgetrimmer Attachment HA110
 compl 537 19 66-01

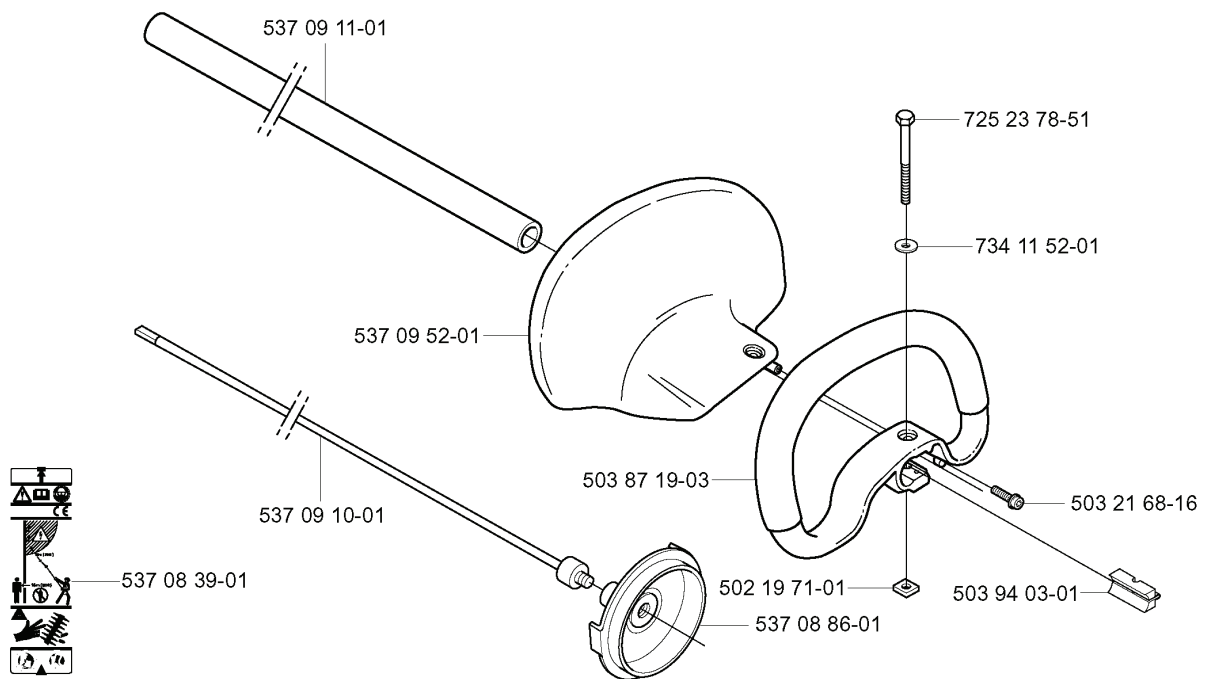


Q Hedgetrimmer Attachment HA850
 compl 537 19 66-02

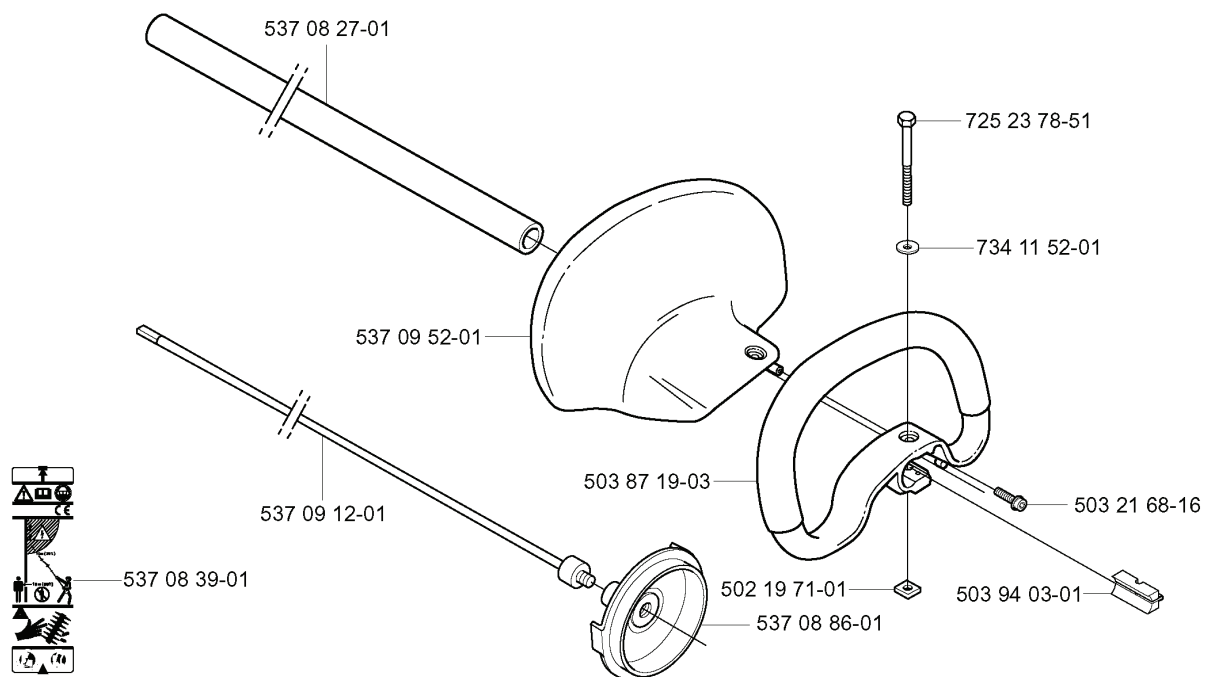


REF.	PART NO.	DESCRIPTION	REMARK	QTY.	KIT
537 1966-01	537196601	ATTACHMENT		1	
537 1985-01	537198501	LABEL		1	
537 01 19-01	537011901	DRIVE SHAFT		1	
537 14 86-11	537148611	CUTTING DECK		1	
537 07 99-01	537079901	TUBE		1	
735 58 55-01	735585501	WASHER		1	
537 08 27-01	537082701	TUBE		1	
537 19 58-01	537195801	TUBE	110MM	1	
537 08 39-01	537083901	LABEL		1	
503 98 54-01	503985401	BEARING CAGE		1	
503 78 52-01	503785201	SUPPORTING BEARING		1	
537 19 59-01	537195901	DRIVE SHAFT		1	
537 14 86-12	537148612	CUTTING DECK		1	
503 21 68-16	503216816	SCREW IHSCT		1	
537 09 52-01	537095201	HAND GUARD		1	
537 19 66-02	537196602	HEDGETRIMMER ATTACHMENT		1	
735 58 08-10	735580810	LOCKWASHER		1	

B HDA55x



B HE3x

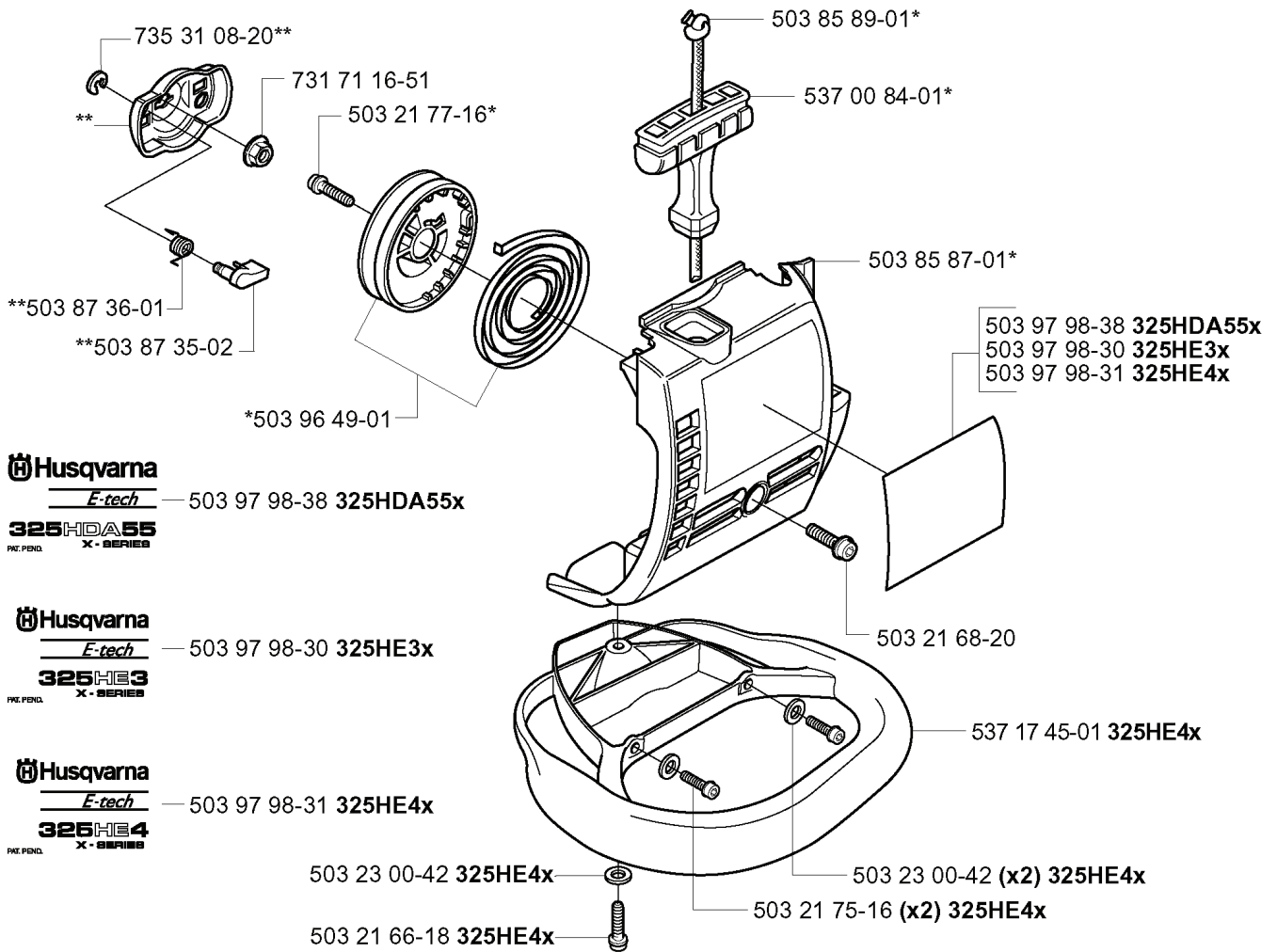


REF.	PART NO.	DESCRIPTION	REMARK	QTY.	KIT
537 08 27-01	537082701	TUBE		1	
537 09 52-01	537095201	HAND GUARD		1	
537 09 12-01	537091201	DRIVE SHAFT		1	
537 08 39-01	537083901	LABEL		1	
537 08 86-01	537088601	CLUTCH DRUM ASSY		1	
502 19 71-01	502197101	SQUARE NUT		1	
503 87 19-03	503871903	HANDLE		1	
537 09 10-01	537091001	DRIVE SHAFT		1	
503 94 03-01	503940301	DISTANCE		1	
537 09 11-01	537091101	TUBE		1	
503 21 68-16	503216816	SCREW IHSCT		1	
734 11 52-01	734115201	WASHER		1	
725 23 78-51	725237851	SCREW EHHM		1	

G

**compl 503 87 33-02

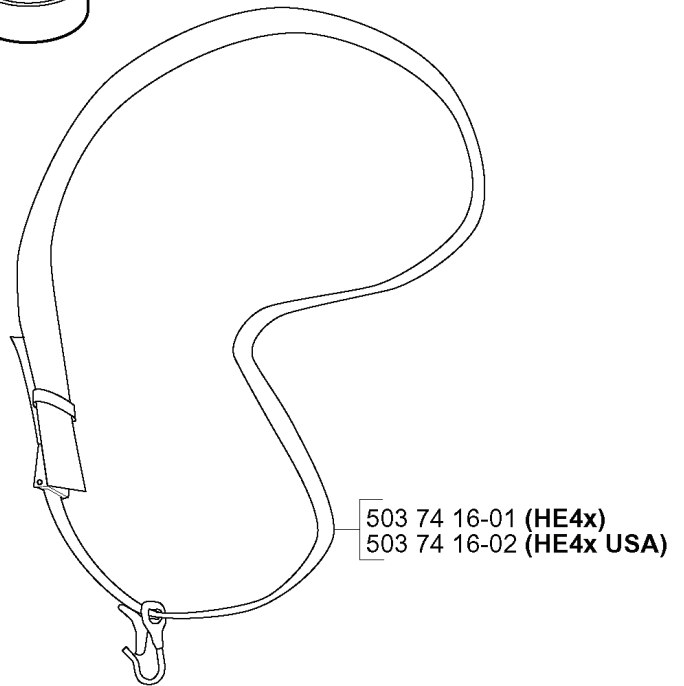
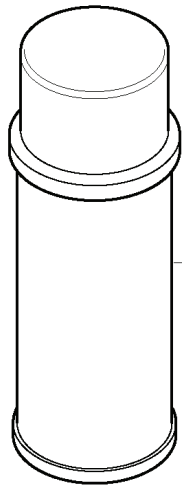
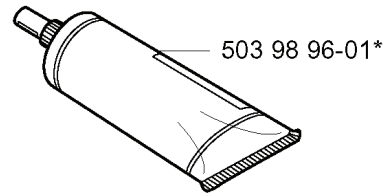
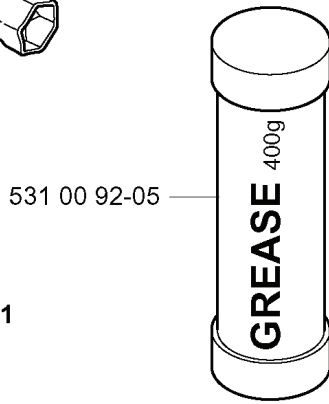
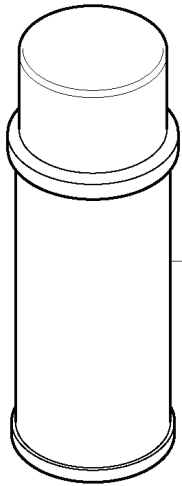
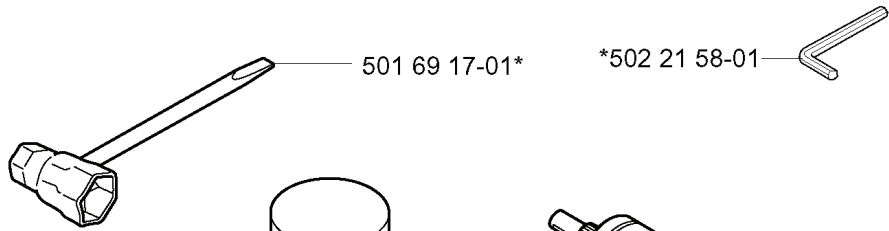
*compl 503 85 28-01



REF.	PART NO.	DESCRIPTION	REMARK	QTY.	KIT
503 87 33-02	503873302	BRIDGE		1	
735 31 08-20	735310820	E-CLIP		1	
731 71 16-51	731711651	HEXAGON NUT FLANGE		1	
503 21 77-16	503217716	SCREW IHSC T		1	
503 87 36-01	503873601	SPRING		1	
503 87 35-02	503873502	STARTER PAWL		1	
503 96 49-01	503964901	STARTER PULLEY		1	
503 97 98-38	503979838	DECAL	325HDA55X	1	
503 97 98-31	503979831	DECAL	325HE4X	1	
503 21 66-18	503216618	SCREW IHSC T	325HE4X	1	
503 21 75-16	503217516	SCREW IHSC FT	325HE4X	2	
503 23 00-42	503230042	WASHER	325HE4X	2	
537 17 45-01	537174501	HANDLE	325HE4X	1	
503 21 68-20	503216820	SCREW IHSC FT		1	
503 97 98-30	503979830	DECAL	325HE3X	1	
503 85 87-01	503858701	STARTER HOUSING		1	
537 00 84-01	537008401	STARTER HANDLE		1	
503 85 89-01	503858901	STARTER ROPE		1	
503 85 28-01	503852801	STARTER ASSY		1	

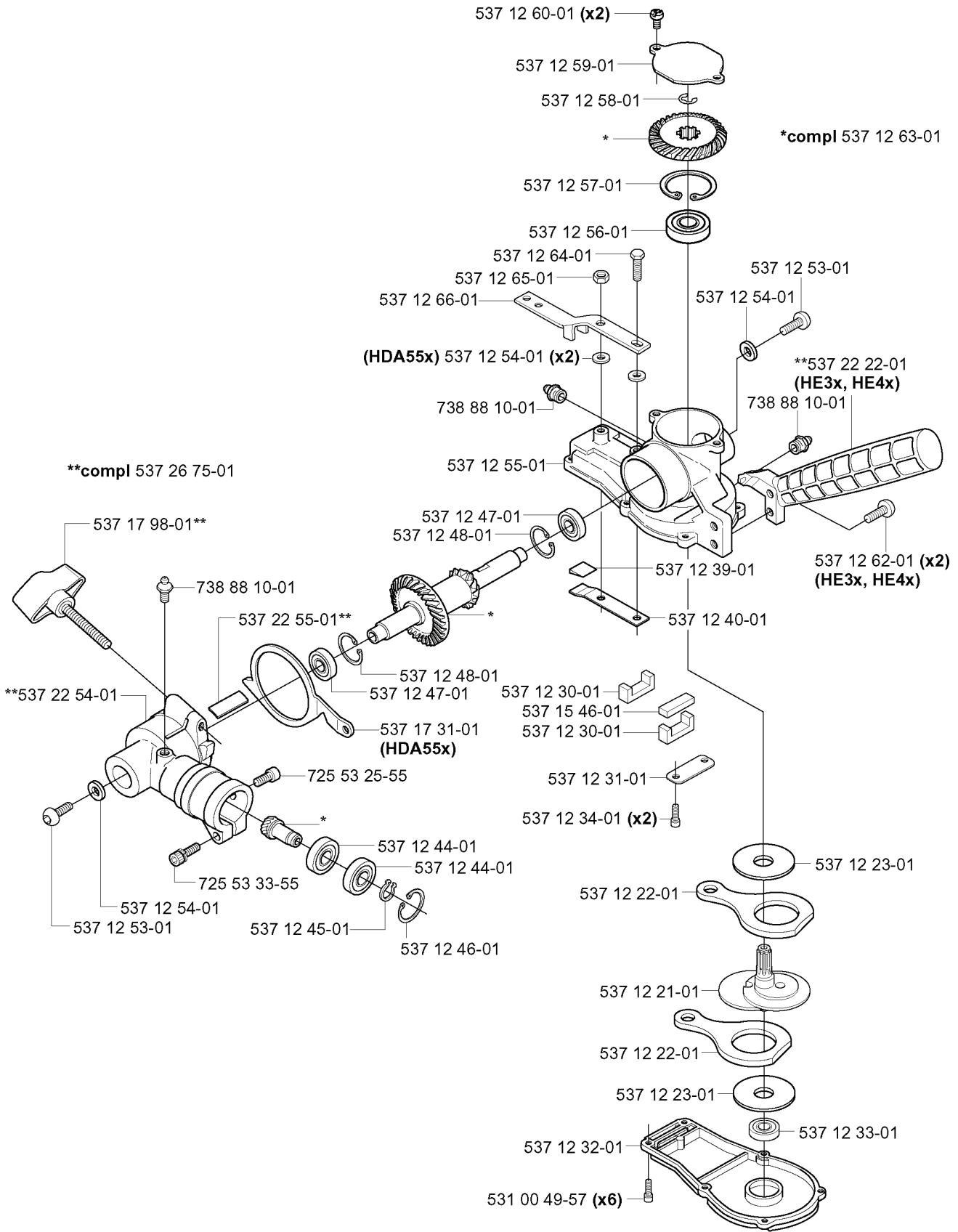
N Accessories
Zubehöre
Accessoires
Acessorios
Tillbehör

*compl 537 30 14-09



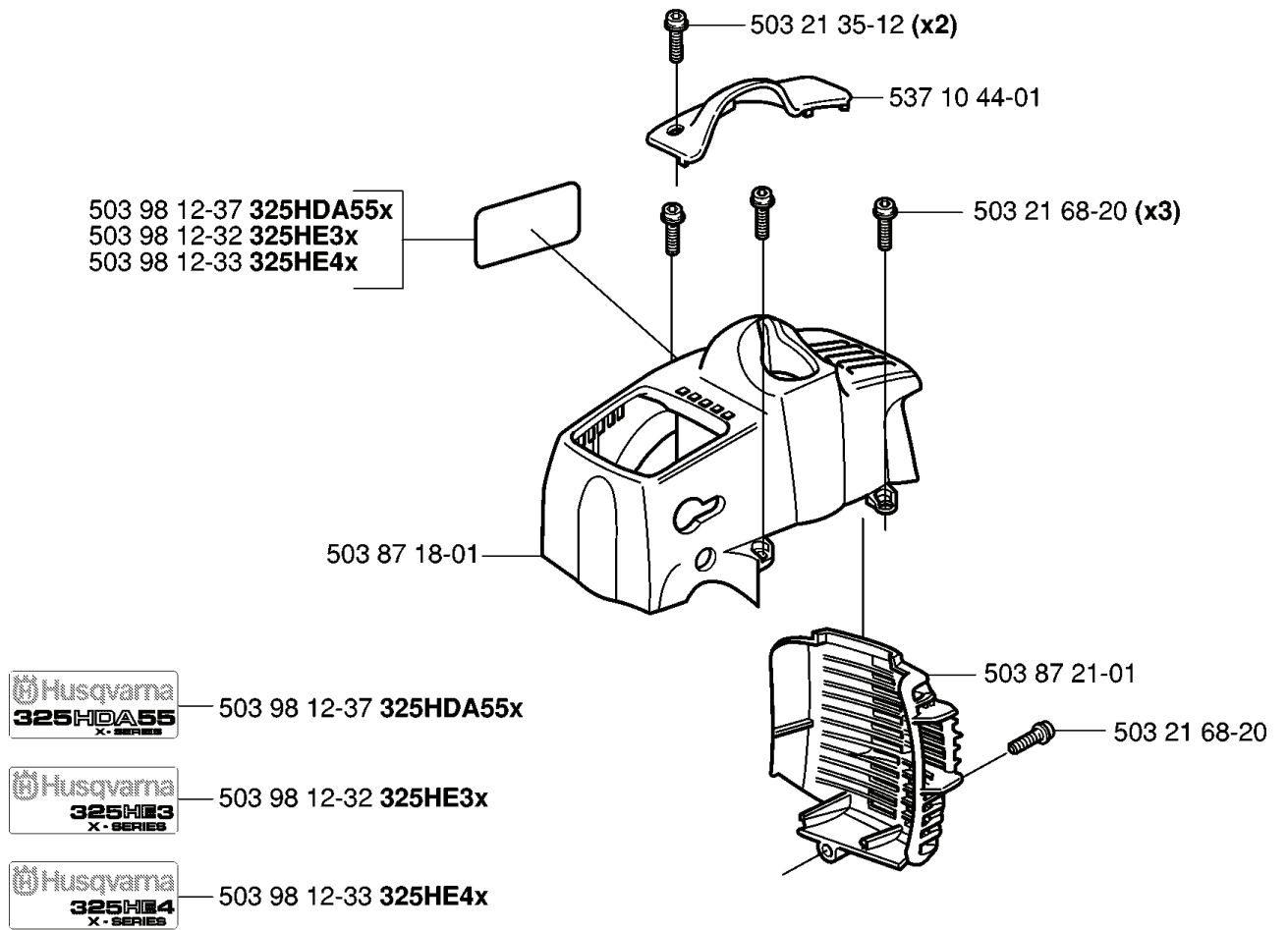
REF.	PART NO.	DESCRIPTION	REMARK	QTY.	KIT
537 30 14-09	537301409	ACCESSORY BAG		1	
531 00 92-05	531009205	GREASE		1	
531 00 75-12	531007512	GREASE	UL21	1	
531 00 75-13	531007513	GREASE	UL22	1	
503 74 16-02	503741602	HARNESS ASSY	HE4X USA	1	
503 74 16-01	503741601	HARNESS ASSY	HE4X	1	
503 98 96-01	503989601	GREASE		1	
502 21 58-01	502215801	WRENCH		1	
501 69 17-01	501691701	COMBINATION WRENCH		1	

A



REF.	PART NO.	DESCRIPTION	REMARK	QTY.	KIT
537 26 75-01	537267501	KIT		1	
537 17 98-01	537179801	KNOB		1	
537 22 55-01	537225501	SEALING		1	
537 22 54-01	537225401	GEAR HOUSING		1	
537 12 54-01	537125401	WASHER	HDA55X	1	
537 12 45-01	537124501	CIRCLIP		1	
725 53 33-55	725533355	SCREW IHSCM		1	
537 12 47-01	537124701	BALL BEARING		1	
537 17 31-01	537173101	ANGLE LIMITER	HDA55X	1	
725 53 25-55	725532555	SCREW IHSCM		1	
537 12 44-01	537124401	BALL BEARING		1	
537 12 46-01	537124601	CIRCLIP		1	
531 00 49-57	531004957	SCREW		6	
537 12 32-01	537123201	HUB CAP		1	
537 12 23-01	537122301	WASHER		1	
537 12 21-01	537122101	SHAFT		1	
537 12 22-01	537122201	CONNECTING ROD		1	
537 12 34-01	537123401	SCREW		2	
537 12 31-01	537123101	BRACKET		1	
537 15 46-01	537154601	SEALING		1	
537 12 30-01	537123001	SEALING		1	
537 12 48-01	537124801	CIRCLIP		1	
537 12 55-01	537125501	GEAR HOUSING		1	
537 12 66-01	537126601	BASEPLATE		1	
537 12 65-01	537126501	NUT		1	
537 12 64-01	537126401	SCREW		1	
537 12 56-01	537125601	BALL BEARING		1	
537 12 57-01	537125701	CIRCLIP		1	
537 12 58-01	537125801	CIRCLIP		1	
537 12 59-01	537125901	HUB CAP		1	
537 12 60-01	537126001	SCREW		2	
537 12 53-01	537125301	SCREW		1	
537 22 22-01	537222201	HANDLE	HE3X, HE4X	1	
738 88 10-01	738881001	LUBRICATION NIPPLE		1	
537 12 39-01	537123901	SEALING		1	
537 12 40-01	537124001	SPACING TUBE		1	
537 12 33-01	537123301	BALL BEARING		1	
537 12 62-01	537126201	SCREW	HE3X, HE4X	2	
537 12 63-01	537126301	GEAR		1	

E



REF.	PART NO.	DESCRIPTION	REMARK	QTY.	KIT
50398 12-37	503981237	LABEL	325HDA55X	1	
50387 18-01	503871801	CYLINDER COVER		1	
50398 12-32	503981232	LABEL	325HE3X	1	
50398 12-33	503981233	LABEL	325HE4X	1	
50387 21-01	503872101	HEAT PROTECTOR		1	
50321 68-20	503216820	SCREW IHSCFT		3	
537 10 44-01	537104401	ARM PROTECTION		1	
50321 35-12	503213512	SCREW CCRPANT		2	