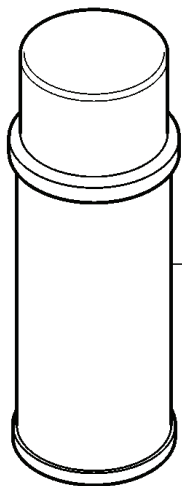
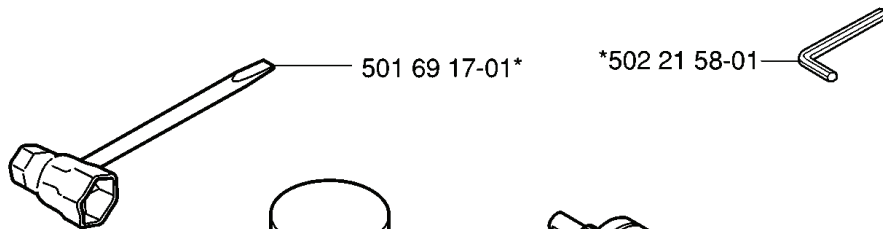


5 HDA55 X-SERIES, 20050600001-2005360

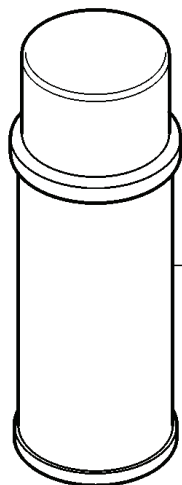
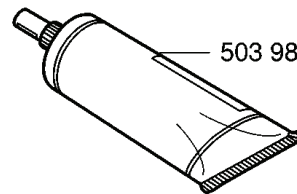
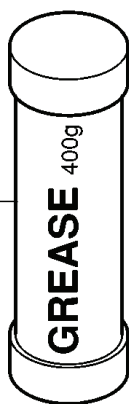
SPARE PARTS LIST

N Accessories
Zubehöre
Accessoires
Acessorios
Tillbehör

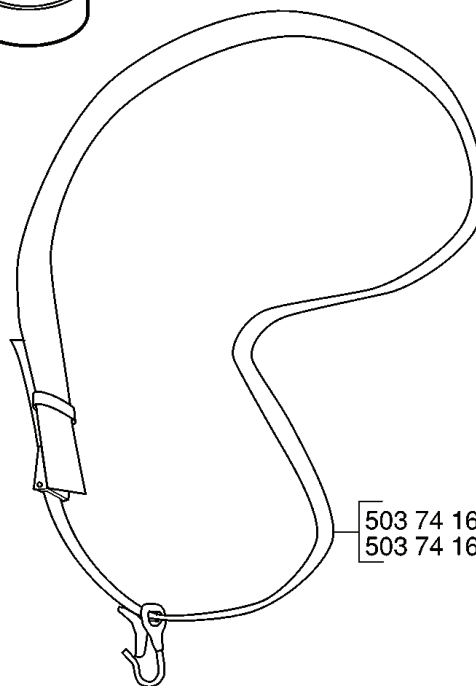
*compl 537 30 14-09



531 00 92-05



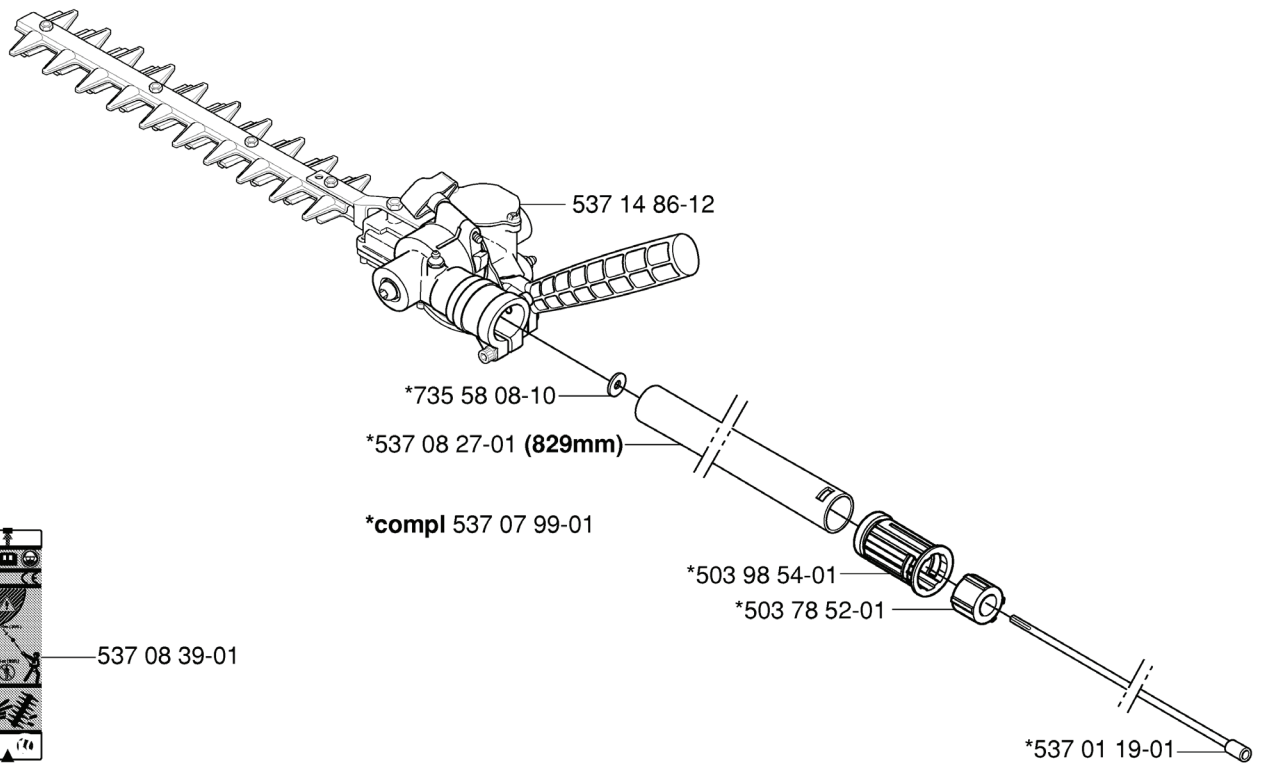
531 00 75-13 UL22



503 74 16-01 (HE4x)
503 74 16-02 (HE4x USA)

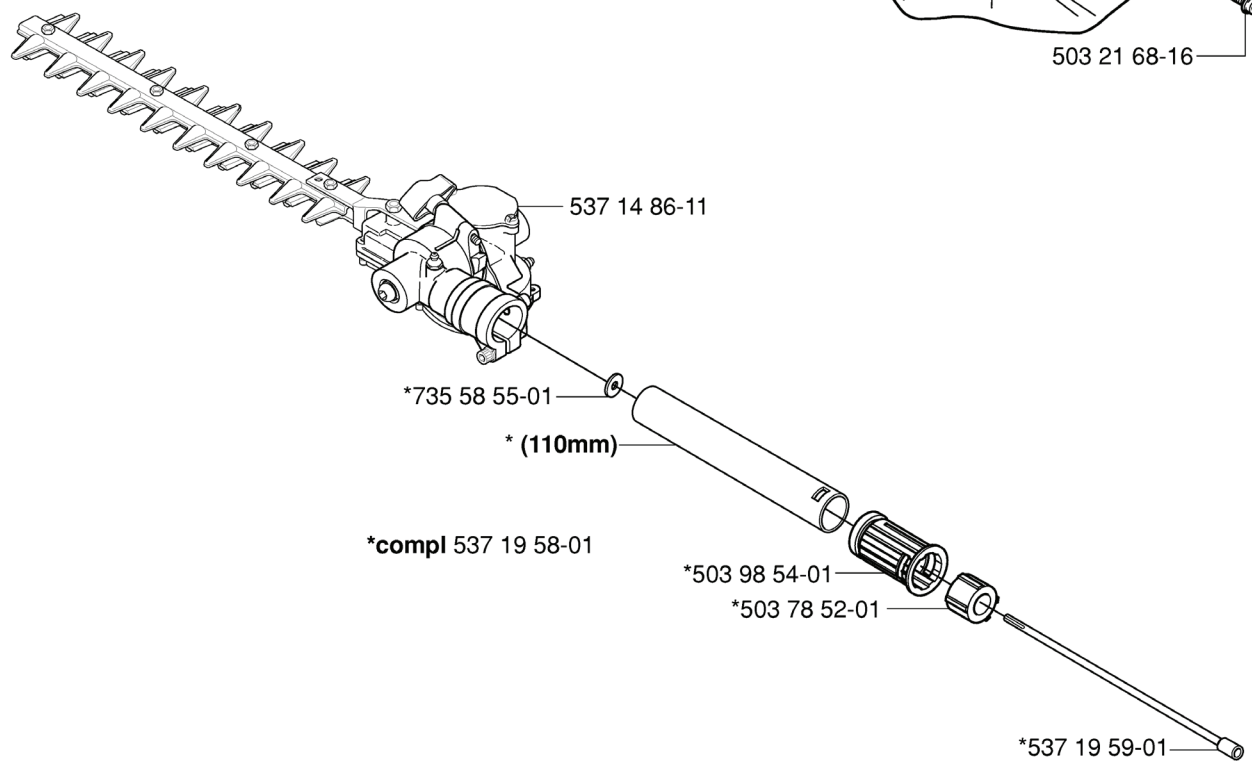
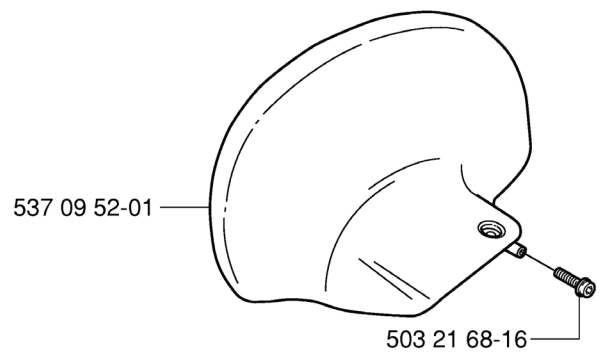
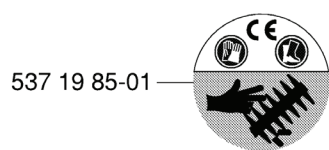
| REF. | PART NO. | DESCRIPTION | REMARK | QTY. | KIT |
|--------------|-----------|--------------------|----------|------|-----|
| 537 30 14-09 | 537301409 | ACCESSORY BAG | | 1 | |
| 531 00 75-12 | 531007512 | GREASE | UL21 | 1 | |
| 531 00 75-13 | 531007513 | GREASE | UL22 | 1 | |
| 503 74 16-02 | 503741602 | HARNESS ASSY | HE4X USA | 1 | |
| 503 74 16-01 | 503741601 | HARNESS ASSY | HE4X | 1 | |
| 531 00 92-05 | 531009205 | GREASE | | 1 | |
| 503 98 96-01 | 503989601 | GREASE | | 1 | |
| 502 21 58-01 | 502215801 | WRENCH | | 1 | |
| 501 69 17-01 | 501691701 | COMBINATION WRENCH | | 1 | |

Q Hedgetrimmer Attachment HA850
compl 537 19 66-02



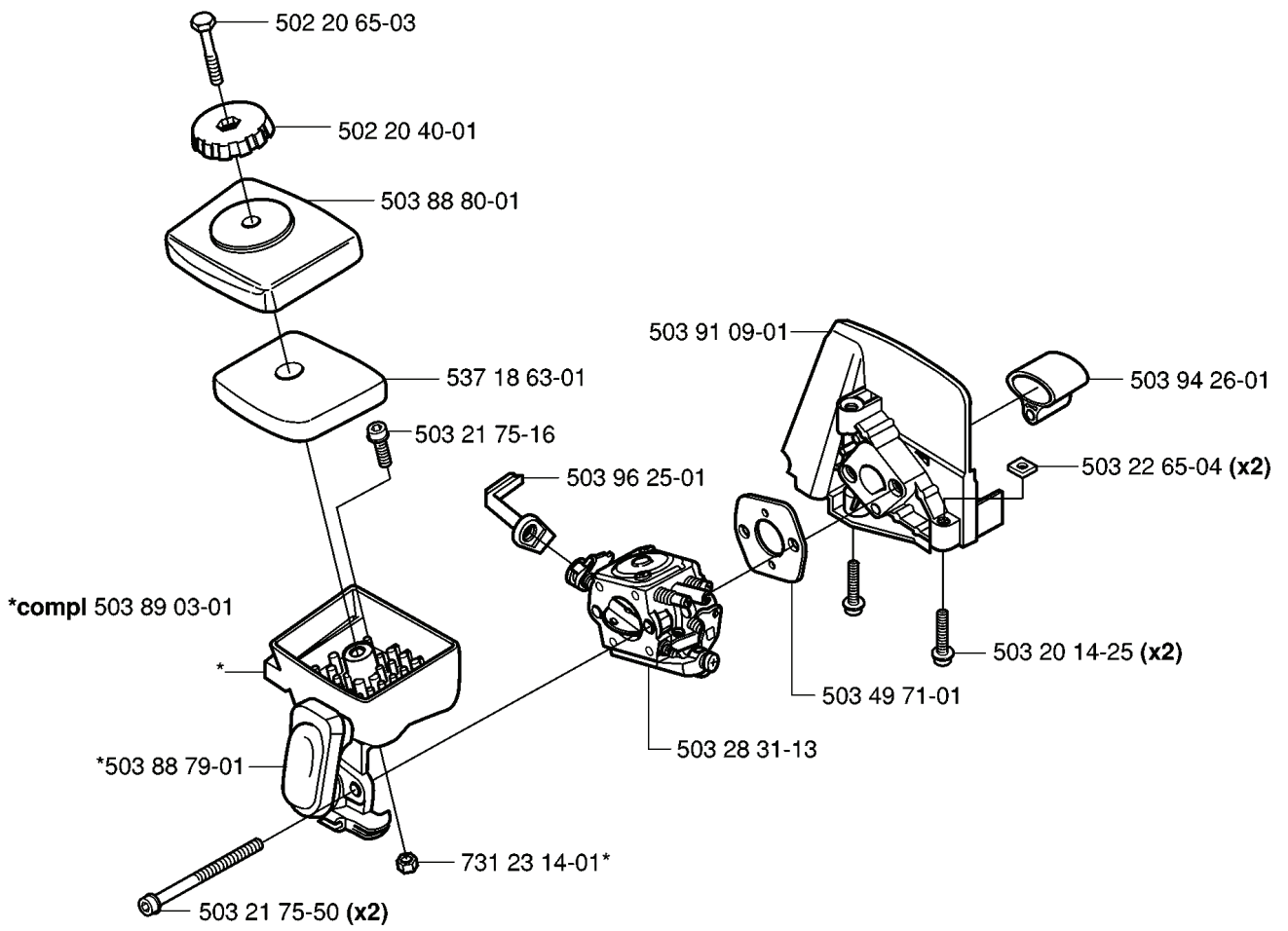
| REF. | PART NO. | DESCRIPTION | REMARK | QTY. | KIT |
|--------------|-----------|-------------------------|--------|------|-----|
| 537 19 66-02 | 537196602 | HEDGETRIMMER ATTACHMENT | | 1 | |
| 537 08 39-01 | 537083901 | LABEL | | 1 | |
| 537 07 99-01 | 537079901 | TUBE | | 1 | |
| 537 08 27-01 | 537082701 | TUBE | 829MM | 1 | |
| 735 58 08-10 | 735580810 | LOCKWASHER | | 1 | |
| 503 98 54-01 | 503985401 | BEARING CAGE | | 1 | |
| 503 78 52-01 | 503785201 | SUPPORTING BEARING | | 1 | |
| 537 01 19-01 | 537011901 | DRIVE SHAFT | | 1 | |
| 537 14 86-12 | 537148612 | CUTTING DECK | | 1 | |

Q Hedgetrimmer Attachment HA110
compl 537 19 66-01

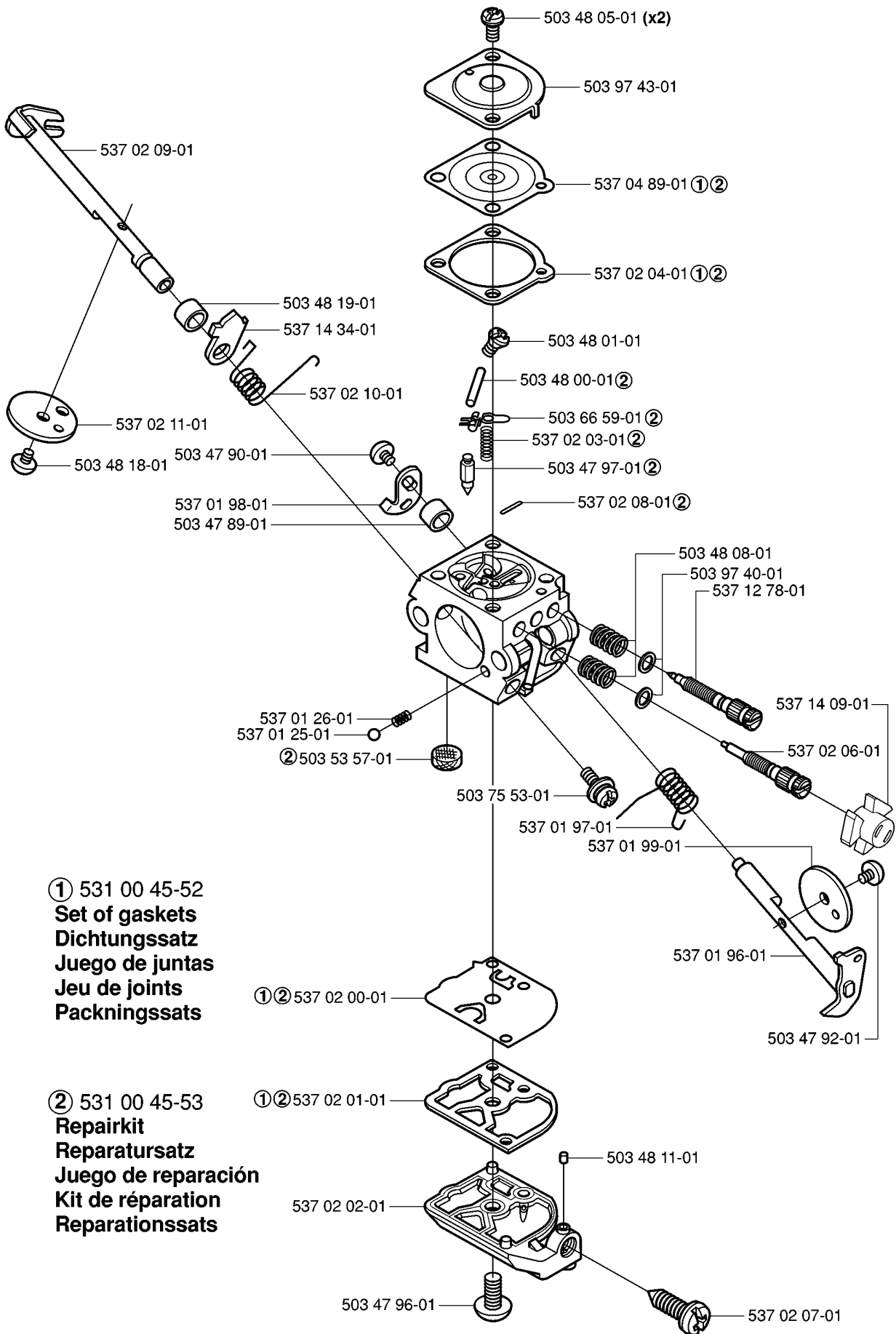


| REF. | PART NO. | DESCRIPTION | REMARK | QTY. | KIT |
|-------------|-----------|--------------------|--------|------|-----|
| 537 1966-01 | 537196601 | ATTACHMENT | | 1 | |
| 537 1985-01 | 537198501 | LABEL | | 1 | |
| 537 1959-01 | 537195901 | DRIVE SHAFT | | 1 | |
| 503 7852-01 | 503785201 | SUPPORTING BEARING | | 1 | |
| 503 9854-01 | 503985401 | BEARING CAGE | | 1 | |
| 537 1958-01 | 537195801 | TUBE | | 1 | |
| 735 5855-01 | 735585501 | WASHER | 110MM | 1 | |
| 537 1486-11 | 537148611 | CUTTING DECK | | 1 | |
| 537 0952-01 | 537095201 | HAND GUARD | | 1 | |
| 503 2168-16 | 503216816 | SCREW IHSCT | | 1 | |

F

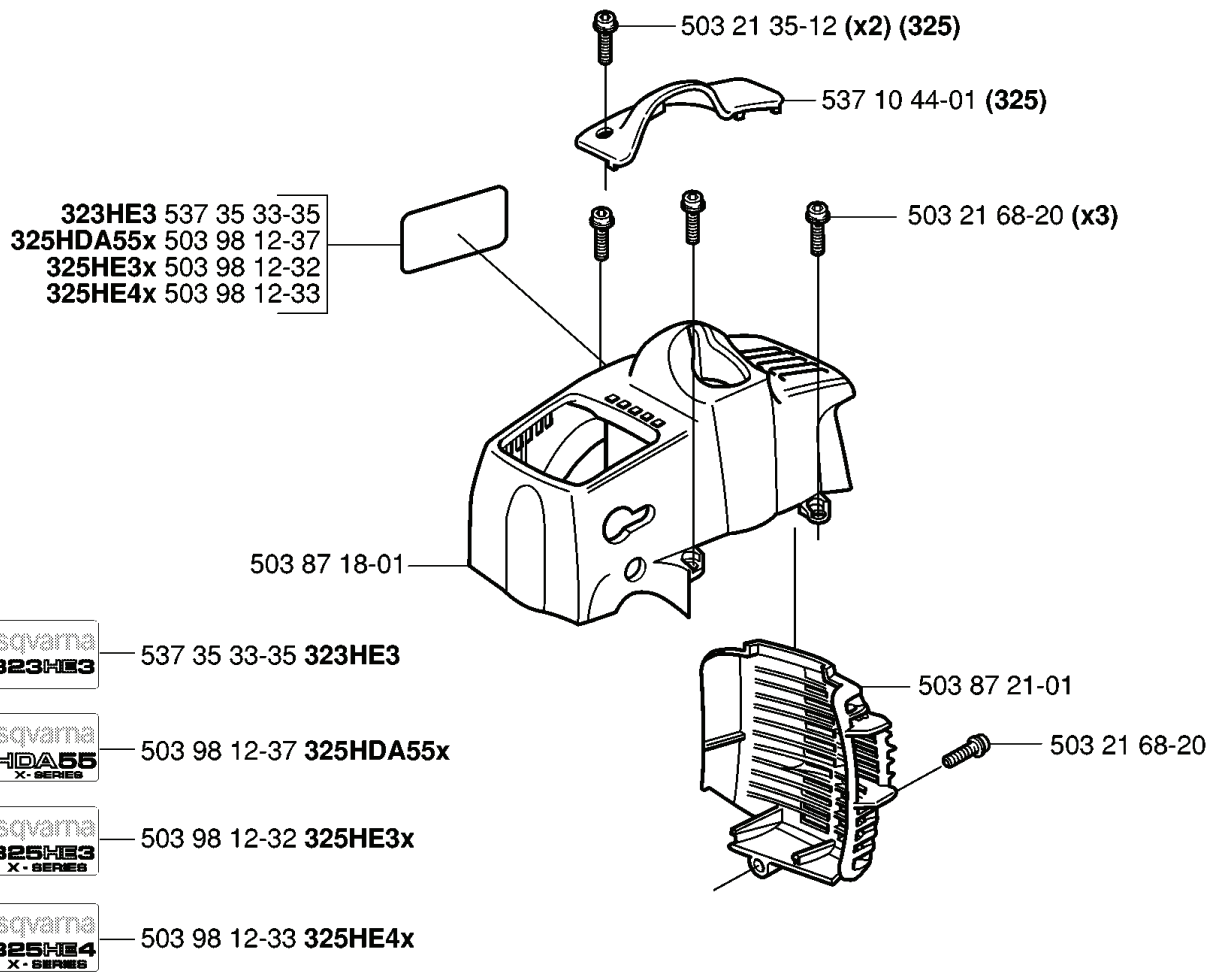


| REF. | PART NO. | DESCRIPTION | REMARK | QTY. | KIT |
|--------------|-----------|-----------------|--------|------|-----|
| 502 20 65-03 | 502206503 | SCREW EHHM | | 1 | |
| 502 20 40-01 | 502204001 | KNOB | | 1 | |
| 503 88 80-01 | 503888001 | FILTER COVER | | 1 | |
| 537 18 63-01 | 537186301 | AIR FILTER | | 1 | |
| 503 21 75-16 | 503217516 | SCREW IHSCFT | | 1 | |
| 503 89 03-01 | 503890301 | FILTER HOLDER | | 1 | |
| 503 88 79-01 | 503887901 | HUB CAP | | 1 | |
| 503 21 75-50 | 503217550 | SCREW IHSCFT | | 2 | |
| 731 23 14-01 | 731231401 | HEXAGON NUT | | 1 | |
| 503 28 31-13 | 503283113 | CARBURETTOR | | 1 | |
| 503 49 71-01 | 503497101 | GASKET | | 1 | |
| 503 96 25-01 | 503962501 | CHOKE CONTROL | | 1 | |
| 503 91 09-01 | 503910901 | INSULATION WALL | | 1 | |
| 503 20 14-25 | 503201425 | SCREW IHSCFMO | | 2 | |
| 503 22 65-04 | 503226504 | SQUARE NUT | | 2 | |
| 503 94 26-01 | 503942601 | INLET PIPE | | 1 | |



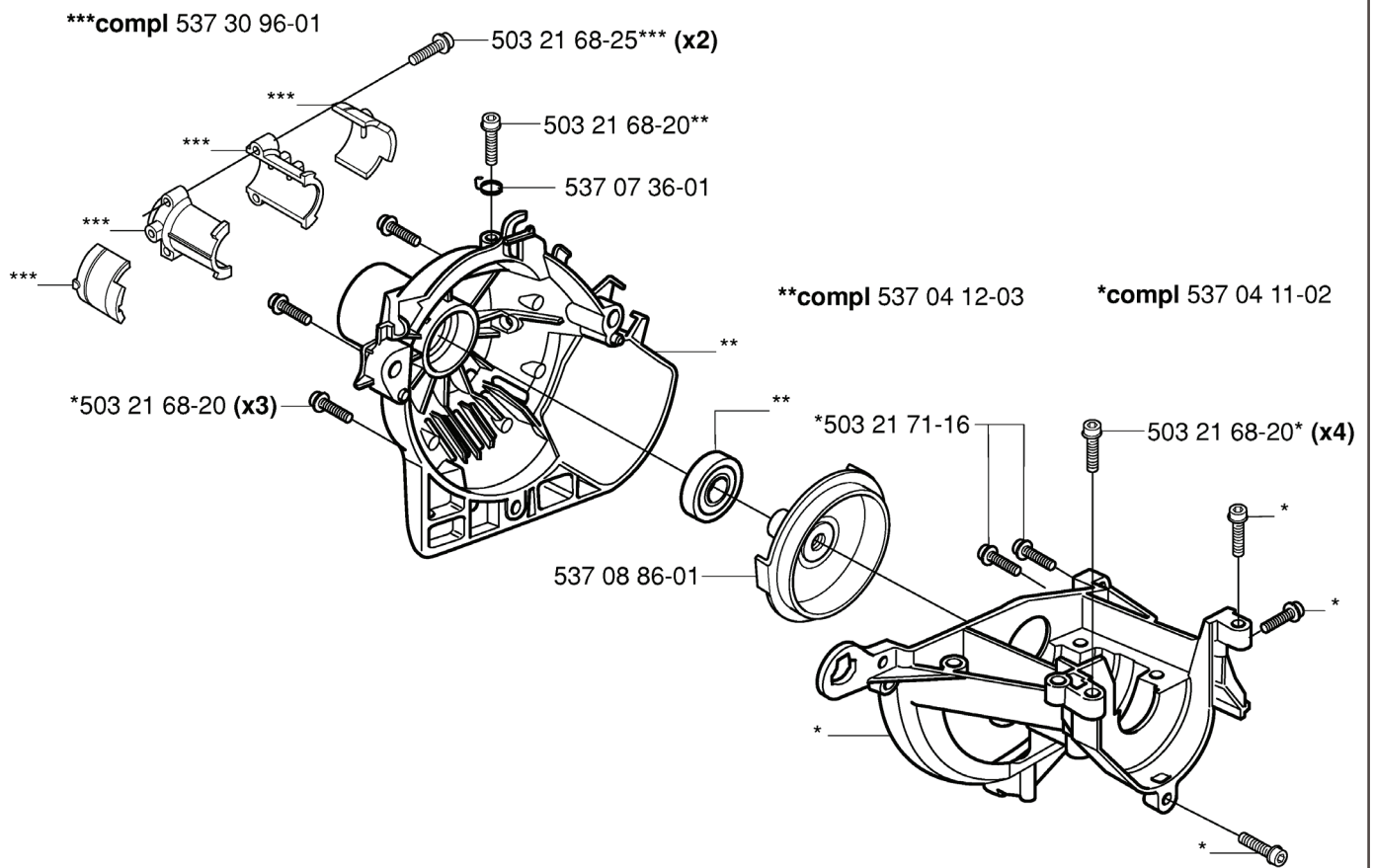
| REF. | PART NO. | DESCRIPTION | REMARK | QTY. | KIT |
|--------------|-----------|---------------------|--|------|-----|
| 503 28 31-13 | 503283113 | CARBURETTOR | | 1 | |
| 537 02 09-01 | 537020901 | SHAFT ASSY | | 1 | |
| 503 48 19-01 | 503481901 | COLLAR | | 1 | |
| 537 14 34-01 | 537143401 | LEVER | | 1 | |
| 537 02 10-01 | 537021001 | SPRING | | 1 | |
| 537 02 11-01 | 537021101 | VALVE | | 1 | |
| 503 47 90-01 | 503479001 | SCREW | | 1 | |
| 503 48 18-01 | 503481801 | SCREW | | 1 | |
| 537 01 98-01 | 537019801 | LEVER | | 1 | |
| 503 47 89-01 | 503478901 | COLLAR | | 1 | |
| 537 01 26-01 | 537012601 | SPRING | | 1 | |
| 537 01 25-01 | 537012501 | BALL | | 1 | |
| 503 53 57-01 | 503535701 | STRAINER | 531 00 45-53 REPAIRKIT | 1 | |
| 537 02 00-01 | 537020001 | DIAPHRAGM PUMP | 531 00 45-52 SET OF GASKETS 531 00 45-53 REPAIRKIT | 1 | |
| 537 02 01-01 | 537020101 | GASKET | 531 00 45-52 SET OF GASKETS 531 00 45-53 REPAIRKIT | 1 | |
| 537 02 02-01 | 537020201 | COVER | | 1 | |
| 503 47 96-01 | 503479601 | SCREW | | 1 | |
| 537 02 07-01 | 537020701 | SCREW | | 1 | |
| 503 48 11-01 | 503481101 | PIECE | | 1 | |
| 503 47 92-01 | 503479201 | SCREW | | 1 | |
| 537 01 96-01 | 537019601 | SHAFT ASSY | | 1 | |
| 537 01 99-01 | 537019901 | VALVE | | 1 | |
| 537 01 97-01 | 537019701 | SPRING | | 1 | |
| 503 75 53-01 | 503755301 | SCREW | | 1 | |
| 537 02 06-01 | 537020601 | SCREW | | 1 | |
| 537 14 09-01 | 537140901 | LIMITER CAP | | 1 | |
| 537 12 78-01 | 537127801 | SCREW | | 1 | |
| 503 97 40-01 | 503974001 | WASHER | | 1 | |
| 503 48 08-01 | 503480801 | SPRING | | 1 | |
| 537 02 08-01 | 537020801 | PLUG | 531 00 45-53 REPAIRKIT | 1 | |
| 503 47 97-01 | 503479701 | VALVE | 531 00 45-53 REPAIRKIT | 1 | |
| 537 02 03-01 | 537020301 | SPRING | 531 00 45-53 REPAIRKIT | 1 | |
| 503 66 59-01 | 503665901 | LEVER | 531 00 45-53 REPAIRKIT | 1 | |
| 503 48 00-01 | 503480001 | PIN RETAINING SCREW | 531 00 45-53 REPAIRKIT | 1 | |
| 503 48 01-01 | 503480101 | SCREW | | 1 | |
| 537 02 04-01 | 537020401 | GASKET | 531 00 45-52 SET OF GASKETS 531 00 45-53 REPAIRKIT | 1 | |
| 537 04 89-01 | 537048901 | DIAPHRAGM | 531 00 45-52 SET OF GASKETS 531 00 45-53 REPAIRKIT | 1 | |
| 503 97 43-01 | 503974301 | COVER | | 1 | |
| 503 48 05-01 | 503480501 | SCREW | | 2 | |

E



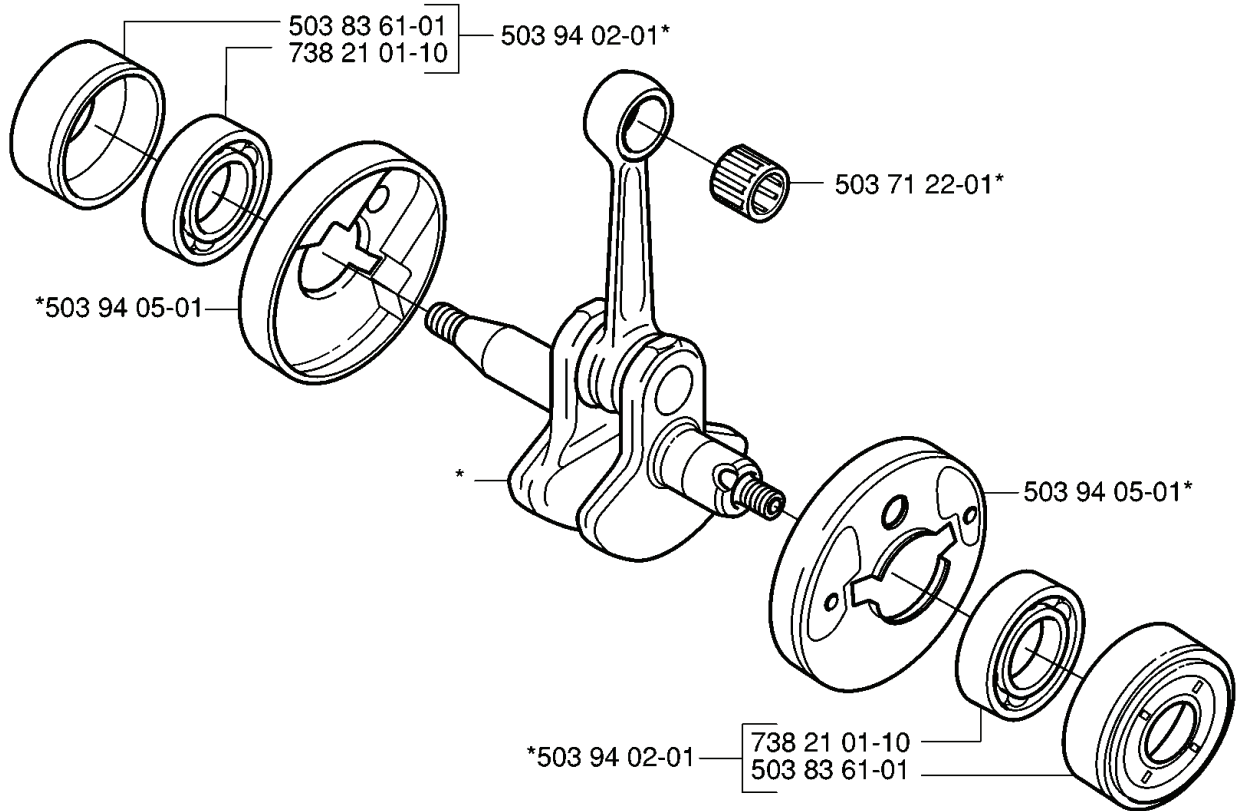
| REF. | PART NO. | DESCRIPTION | REMARK | QTY. | KIT |
|--------------|-----------|----------------|-----------|------|-----|
| 537 35 33-35 | 537353335 | LABEL | 323HE3 | 1 | |
| 503 87 18-01 | 503871801 | CYLINDER COVER | | 1 | |
| 503 98 12-37 | 503981237 | LABEL | 325HDA55X | 1 | |
| 503 98 12-32 | 503981232 | LABEL | 325HE3X | 1 | |
| 503 98 12-33 | 503981233 | LABEL | 325HE4X | 1 | |
| 503 21 68-20 | 503216820 | SCREW IHSCFT | | 1 | |
| 503 87 21-01 | 503872101 | HEAT PROTECTOR | | 1 | |
| 537 10 44-01 | 537104401 | ARM PROTECTION | 325 | 1 | |
| 503 21 35-12 | 503213512 | SCREW CCRPANT | 325 | 2 | |

L



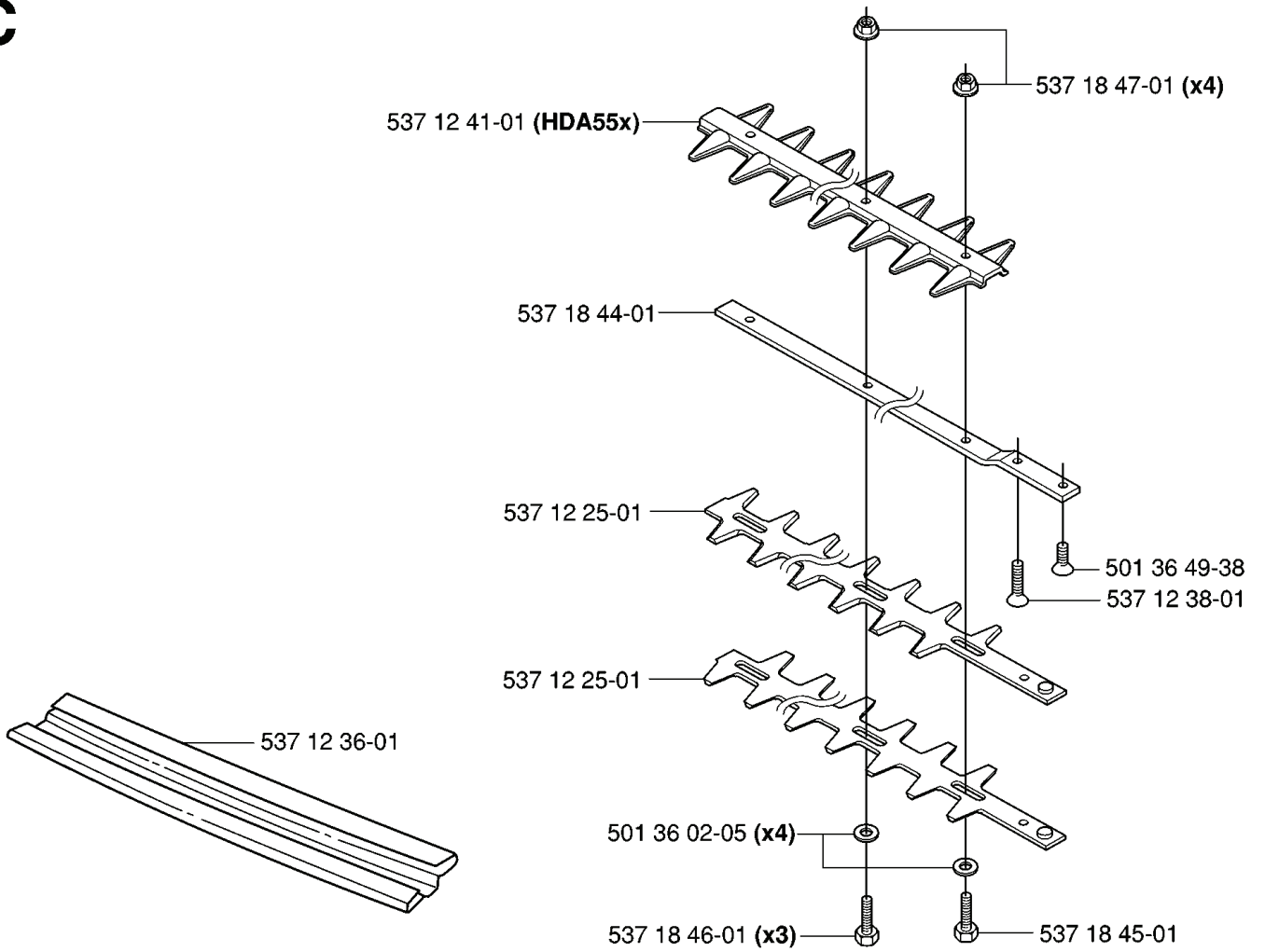
| REF. | PART NO. | DESCRIPTION | REMARK | QTY. | KIT |
|--------------|-----------|------------------|--------|------|-----|
| 537 30 96-01 | 537309601 | SLEEVE | | 1 | |
| 537 08 86-01 | 537088601 | CLUTCH DRUM ASSY | | 1 | |
| 537 07 36-01 | 537073601 | SPRING | | 1 | |
| 503 21 68-20 | 503216820 | SCREW IHSCFT | | 1 | |
| 503 21 68-25 | 503216825 | SCREW IHSCFT | | 2 | |
| 537 04 12-03 | 537041203 | CLUTCH COVER | | 1 | |
| 503 21 71-16 | 503217116 | SCREW IHSCFT | | 1 | |
| 537 04 11-02 | 537041102 | CRANKCASE | | 1 | |

M *compl 503 85 24-74



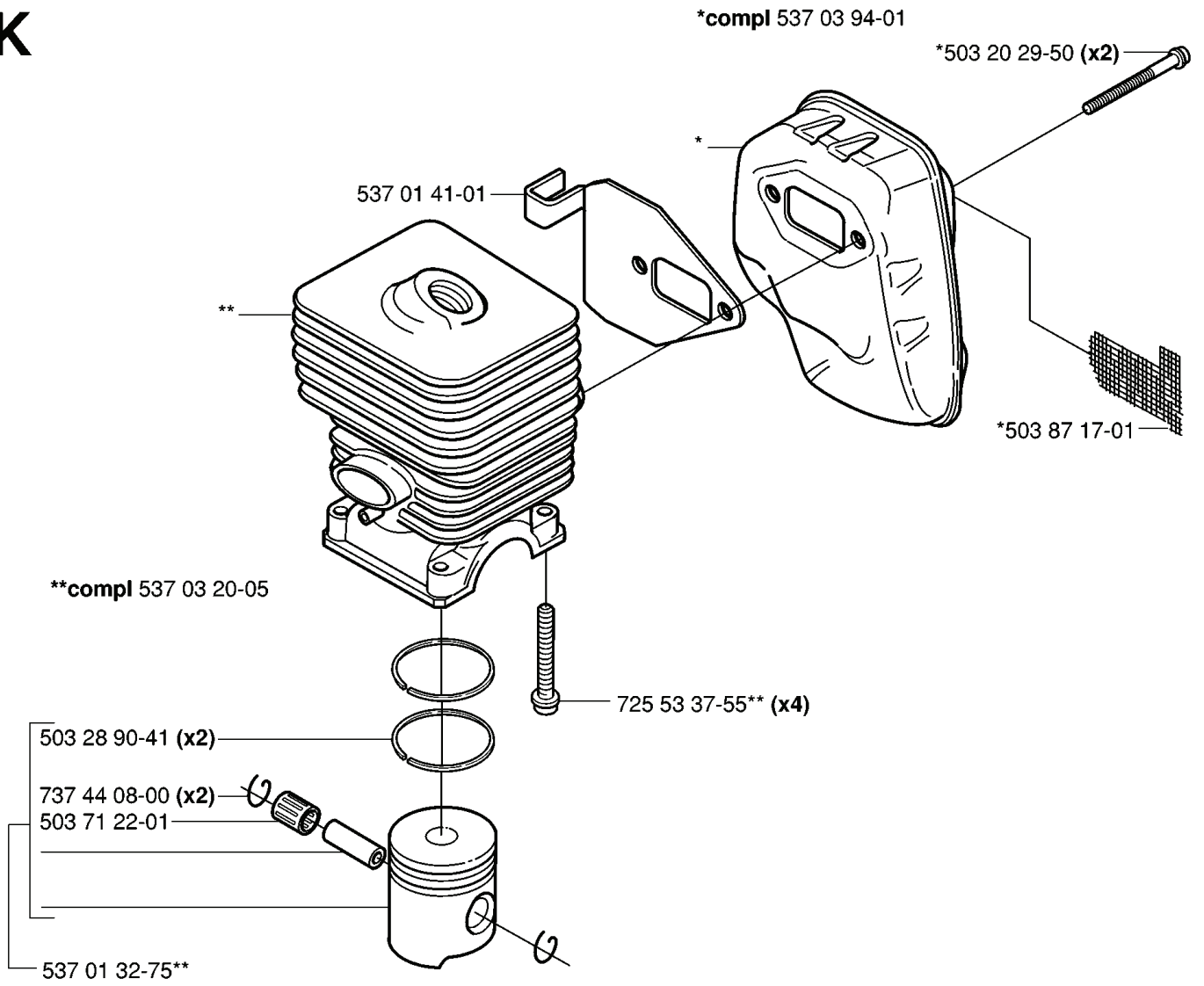
| REF. | PART NO. | DESCRIPTION | REMARK | QTY. | KIT |
|--------------|-----------|-----------------|--------|------|-----|
| 503 85 24-74 | 503852474 | CRANKSHAFT ASSY | | 1 | |
| 503 94 02-01 | 503940201 | BEARING CAGE | | 1 | |
| 503 83 61-01 | 503836101 | BEARING CAGE | | 1 | |
| 738 21 01-10 | 738210110 | BALL BEARING | | 1 | |
| 503 94 05-01 | 503940501 | CUP | | 1 | |
| 503 71 22-01 | 503712201 | BEARING | | 1 | |

C



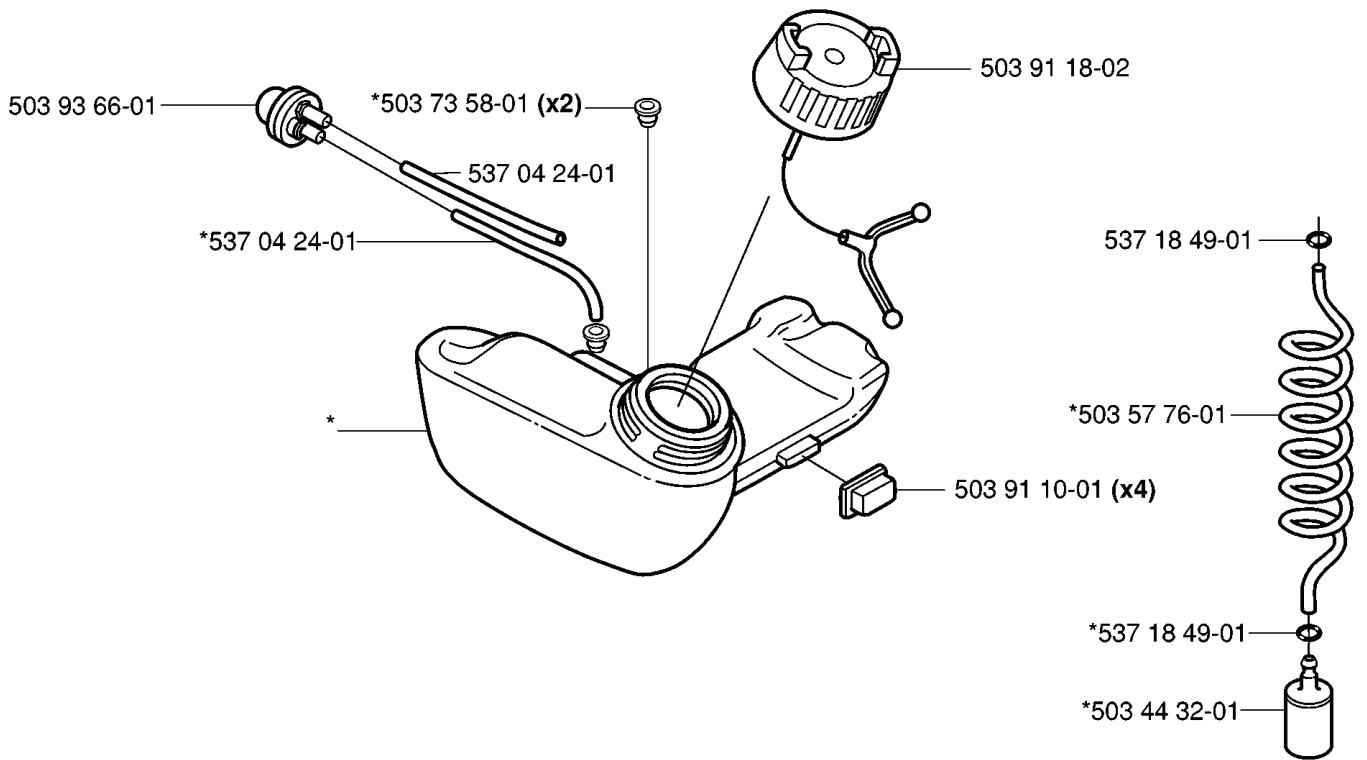
| REF. | PART NO. | DESCRIPTION | REMARK | QTY. | KIT |
|--------------|-----------|------------------|--------|------|-----|
| 537 12 41-01 | 537124101 | PROTECTIVE PLATE | HDA55X | 1 | |
| 537 18 44-01 | 537184401 | GUIDE RAIL | | 1 | |
| 537 12 25-01 | 537122501 | BLADE | | 1 | |
| 537 12 36-01 | 537123601 | KNIFE COVER | | 1 | |
| 501 36 02-05 | 501360205 | WASHER | | 4 | |
| 537 18 46-01 | 537184601 | SCREW | | 3 | |
| 537 18 45-01 | 537184501 | SCREW | | 1 | |
| 537 12 38-01 | 537123801 | SCREW | | 1 | |
| 501 36 49-38 | 501364938 | SCREW | | 1 | |
| 537 18 47-01 | 537184701 | NUT | | 4 | |

K



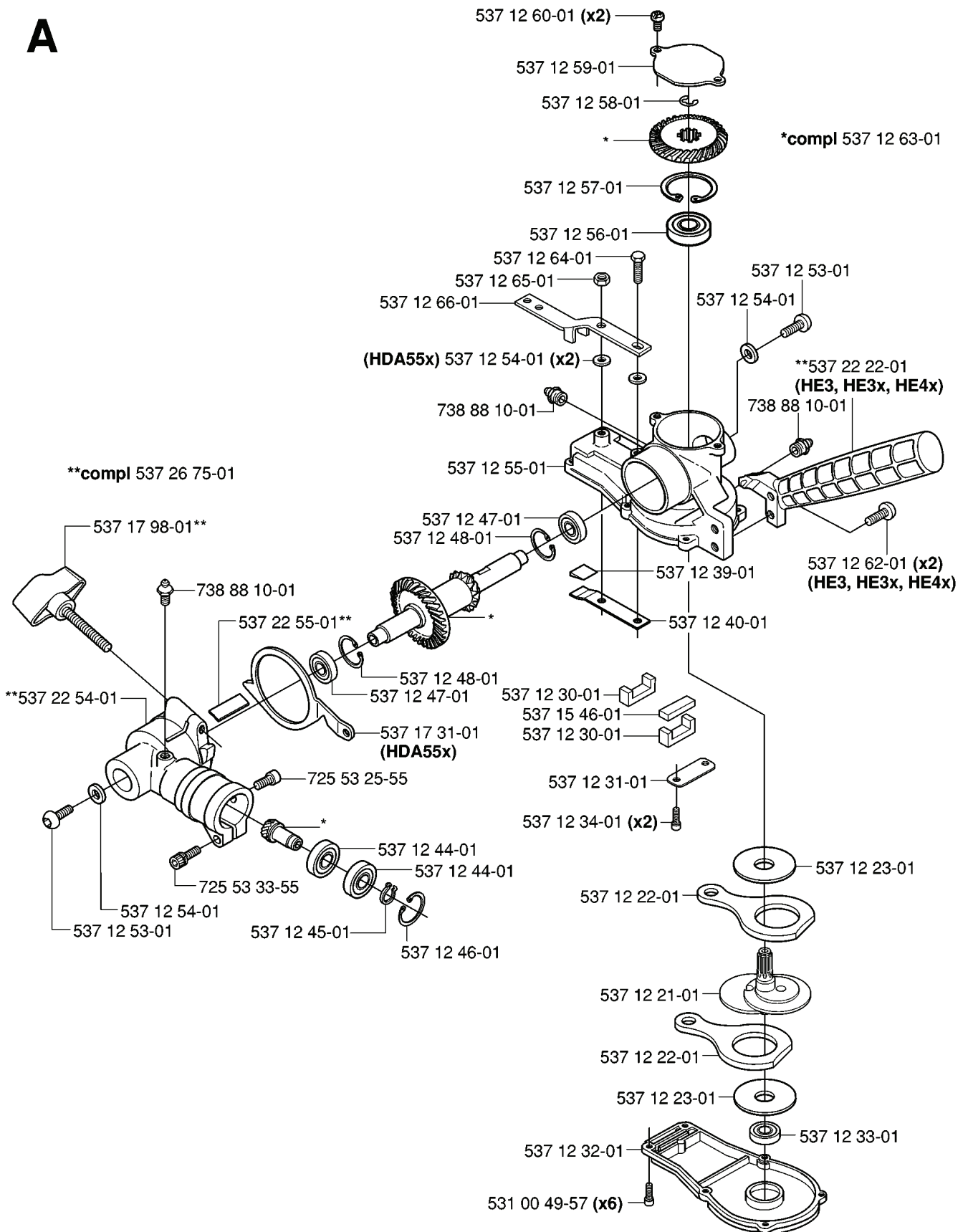
| REF. | PART NO. | DESCRIPTION | REMARK | QTY. | KIT |
|--------------|-----------|-----------------------|--------|------|-----|
| 537 01 41-01 | 537014101 | GASKET | | 1 | |
| 537 03 20-05 | 537032005 | PISTON | | 1 | |
| 503 28 90-41 | 503289041 | PISTON RING | | 2 | |
| 737 44 08-00 | 737440800 | CIRCLIP | | 2 | |
| 503 71 22-01 | 503712201 | BEARING | | 1 | |
| 537 01 32-75 | 537013275 | PISTON | | 1 | |
| 725 53 37-55 | 725533755 | SCREW IHSCM | | 4 | |
| 503 87 17-01 | 503871701 | SPARK ARRESTER SCREEN | | 1 | |
| 503 20 29-50 | 503202950 | SCREW IHSCFM | | 2 | |
| 537 03 94-01 | 537039401 | MUFFLER ASSY | | 1 | |

H *compl 537 06 86-02



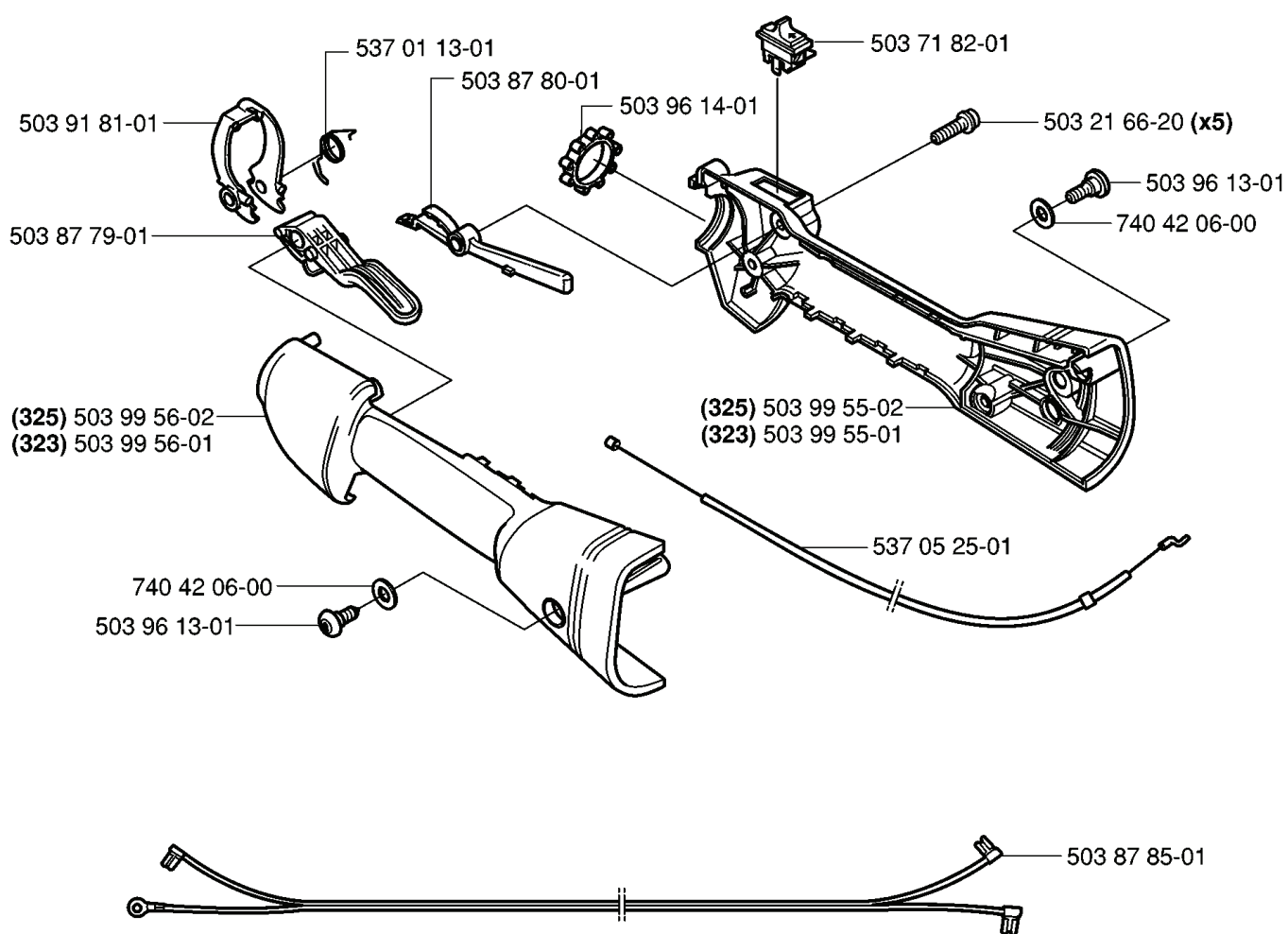
| REF. | PART NO. | DESCRIPTION | REMARK | QTY. | KIT |
|------------|-----------|-------------|--------|------|-----|
| 5370686-02 | 537068602 | FUEL TANK | | 1 | |
| 5039366-01 | 503936601 | PURGE | | 1 | |
| 5037358-01 | 503735801 | BUSHING | | 2 | |
| 5370424-01 | 537042401 | FUEL HOSE | | 1 | |
| 5034432-01 | 503443201 | FUEL FILTER | | 1 | |
| 5039110-01 | 503911001 | SUSPENSION | | 4 | |
| 5035776-01 | 503577601 | FUEL HOSE | | 1 | |
| 5371849-01 | 537184901 | O-RING | | 1 | |
| 5039118-02 | 503911802 | TANK CAP | | 1 | |

A



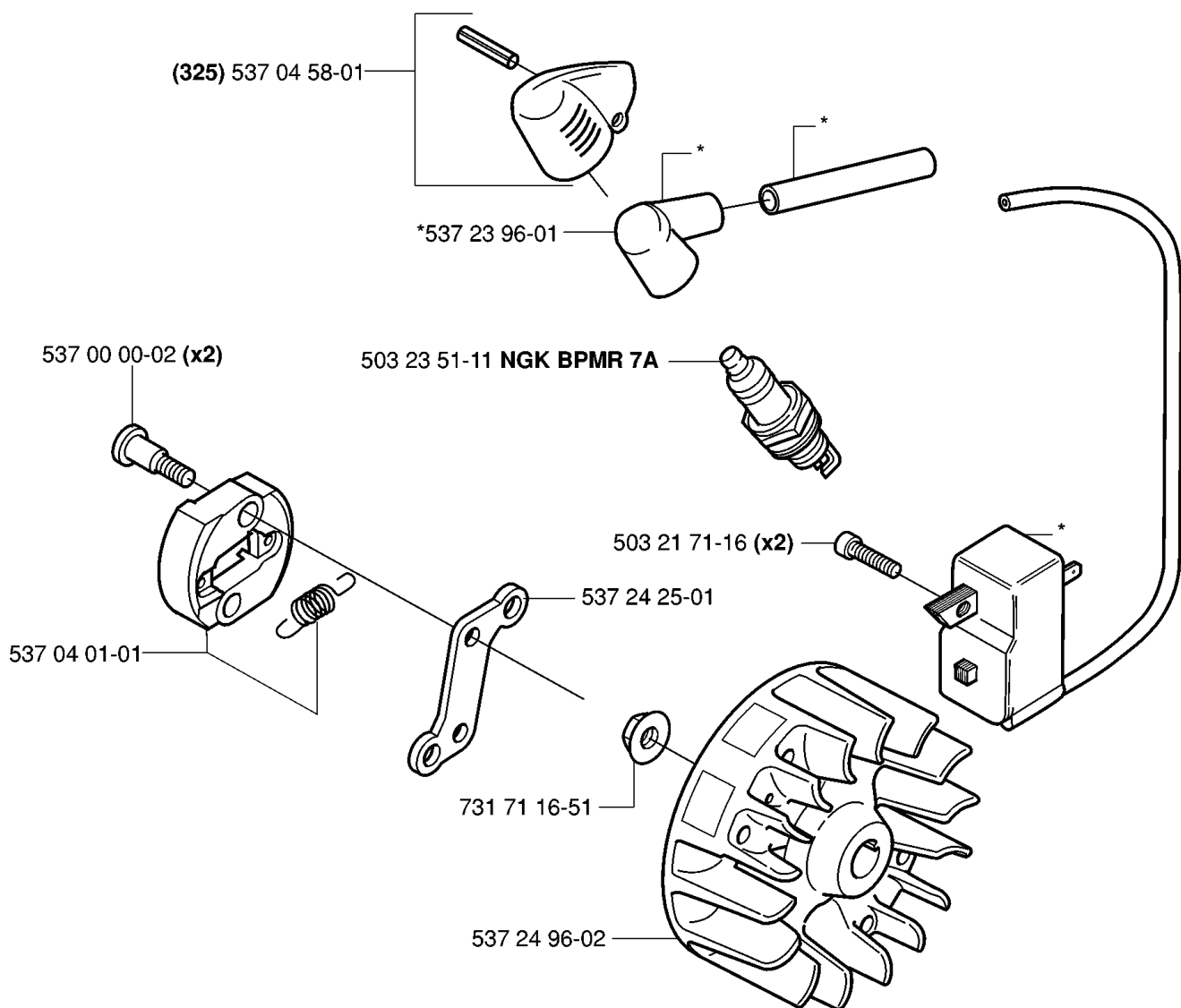
| REF. | PART NO. | DESCRIPTION | REMARK | QTY. | KIT |
|--------------|-----------|--------------------|-----------------|------|-----|
| 537 26 75-01 | 537267501 | KIT | | 1 | |
| 537 17 98-01 | 537179801 | KNOB | | 1 | |
| 537 22 54-01 | 537225401 | GEAR HOUSING | | 1 | |
| 725 53 33-55 | 725533355 | SCREW IHSCM | | 1 | |
| 537 12 45-01 | 537124501 | CIRCLIP | | 1 | |
| 537 22 55-01 | 537225501 | SEALING | | 1 | |
| 537 17 31-01 | 537173101 | ANGLE LIMITER | HDA55X | 1 | |
| 725 53 25-55 | 725532555 | SCREW IHSCM | | 1 | |
| 537 12 44-01 | 537124401 | BALL BEARING | | 1 | |
| 537 12 46-01 | 537124601 | CIRCLIP | | 1 | |
| 531 00 49-57 | 531004957 | SCREW | | 6 | |
| 537 12 32-01 | 537123201 | HUB CAP | | 1 | |
| 537 12 23-01 | 537122301 | WASHER | | 1 | |
| 537 12 21-01 | 537122101 | SHAFT | | 1 | |
| 537 12 22-01 | 537122201 | CONNECTING ROD | | 1 | |
| 537 12 34-01 | 537123401 | SCREW | | 2 | |
| 537 12 31-01 | 537123101 | BRACKET | | 1 | |
| 537 15 46-01 | 537154601 | SEALING | | 1 | |
| 537 12 30-01 | 537123001 | SEALING | | 1 | |
| 537 12 48-01 | 537124801 | CIRCLIP | | 1 | |
| 537 12 47-01 | 537124701 | BALL BEARING | | 1 | |
| 537 12 55-01 | 537125501 | GEAR HOUSING | | 1 | |
| 537 12 66-01 | 537126601 | BASEPLATE | | 1 | |
| 537 12 65-01 | 537126501 | NUT | | 1 | |
| 537 12 64-01 | 537126401 | SCREW | | 1 | |
| 537 12 56-01 | 537125601 | BALL BEARING | | 1 | |
| 537 12 57-01 | 537125701 | CIRCLIP | | 1 | |
| 537 12 58-01 | 537125801 | CIRCLIP | | 1 | |
| 537 12 59-01 | 537125901 | HUB CAP | | 1 | |
| 537 12 60-01 | 537126001 | SCREW | | 2 | |
| 537 12 39-01 | 537123901 | SEALING | | 1 | |
| 537 12 40-01 | 537124001 | SPACING TUBE | | 1 | |
| 537 12 33-01 | 537123301 | BALL BEARING | | 1 | |
| 537 12 62-01 | 537126201 | SCREW | HE3, HE3X, HE4X | 2 | |
| 738 88 10-01 | 738881001 | LUBRICATION NIPPLE | | 1 | |
| 537 22 22-01 | 537222201 | HANDLE | HE3, HE3X, HE4X | 1 | |
| 537 12 54-01 | 537125401 | WASHER | HDA55X | 1 | |
| 537 12 53-01 | 537125301 | SCREW | | 1 | |
| 537 12 63-01 | 537126301 | GEAR | | 1 | |

D



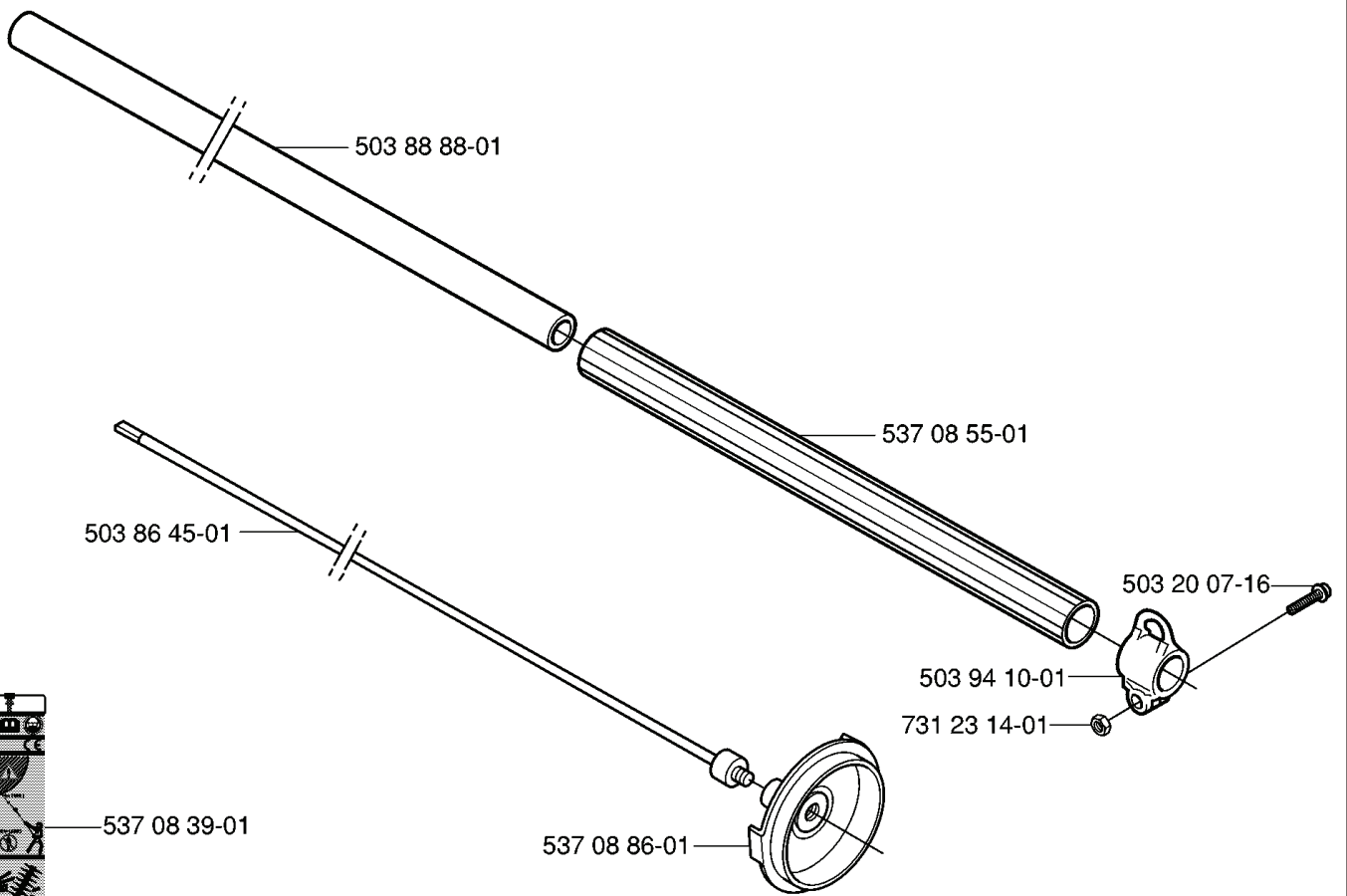
| REF. | PART NO. | DESCRIPTION | REMARK | QTY. | KIT |
|------------|-----------|---------------------|--------|------|-----|
| 5039181-01 | 503918101 | THROTTLE LEVER | | 1 | |
| 5038779-01 | 503877901 | THROTTLE TRIGGER | | 1 | |
| 5039956-02 | 503995602 | HANDLE HALF | 325 | 1 | |
| 5039956-01 | 503995601 | HANDLE HALF | 323 | 1 | |
| 7404206-00 | 740420600 | O-RING | | 1 | |
| 5039613-01 | 503961301 | SCREW | | 1 | |
| 5370113-01 | 537011301 | RECOIL SPRING | | 1 | |
| 5038780-01 | 503878001 | THROTTLE LOCKOUT | | 1 | |
| 5039614-01 | 503961401 | ABSORBER | | 1 | |
| 5039955-02 | 503995502 | HANDLE HALF | 325 | 1 | |
| 5039955-01 | 503995501 | HANDLE HALF | 323 | 1 | |
| 5370525-01 | 537052501 | THROTTLE CABLE ASSY | | 1 | |
| 5038785-01 | 503878501 | SHORT CIRCUIT CABLE | | 1 | |
| 5032166-20 | 503216620 | SCREW IH SCT | | 5 | |
| 5037182-01 | 503718201 | SWITCH | | 1 | |

J * compl 537 13 75-01



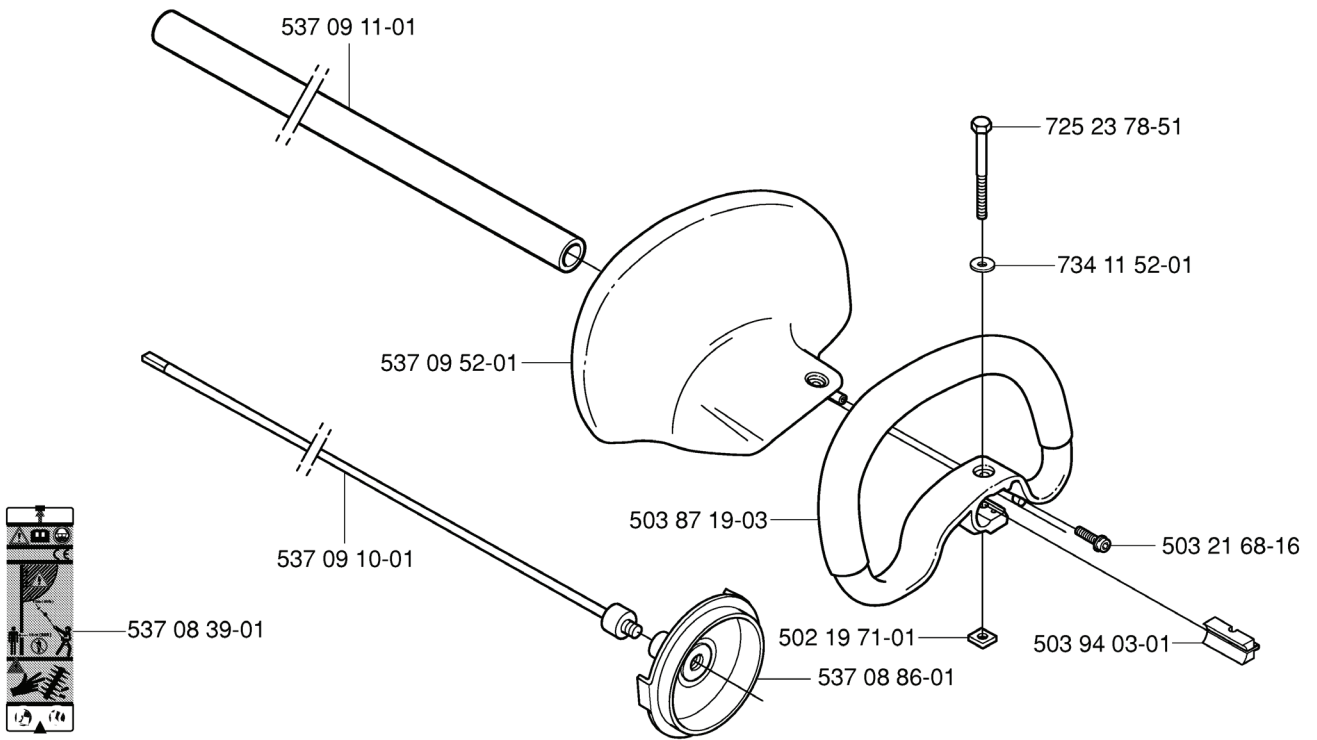
| REF. | PART NO. | DESCRIPTION | REMARK | QTY. | KIT |
|--------------|-----------|--------------------|-------------|------|-----|
| 537 13 75-01 | 537137501 | ELECTRONIC MODULE | | 1 | |
| 537 04 58-01 | 537045801 | COVER | 325 | 1 | |
| 537 00 00-02 | 537000002 | SCREW | | 2 | |
| 537 04 01-01 | 537040101 | CLUTCH ASSY | | 1 | |
| 537 24 96-02 | 537249602 | FLYWHEEL | | 1 | |
| 731 71 16-51 | 731711651 | HEXAGON NUT FLANGE | | 1 | |
| 537 24 25-01 | 537242501 | CLUTCH HUB | | 1 | |
| 503 21 71-16 | 503217116 | SCREW IHSCT | | 2 | |
| 503 23 51-11 | 503235111 | SPARK PLUG | NGK BPMR 7A | 1 | |
| 537 23 96-01 | 537239601 | SPARK PLUG CAP | | 1 | |

B HE4x



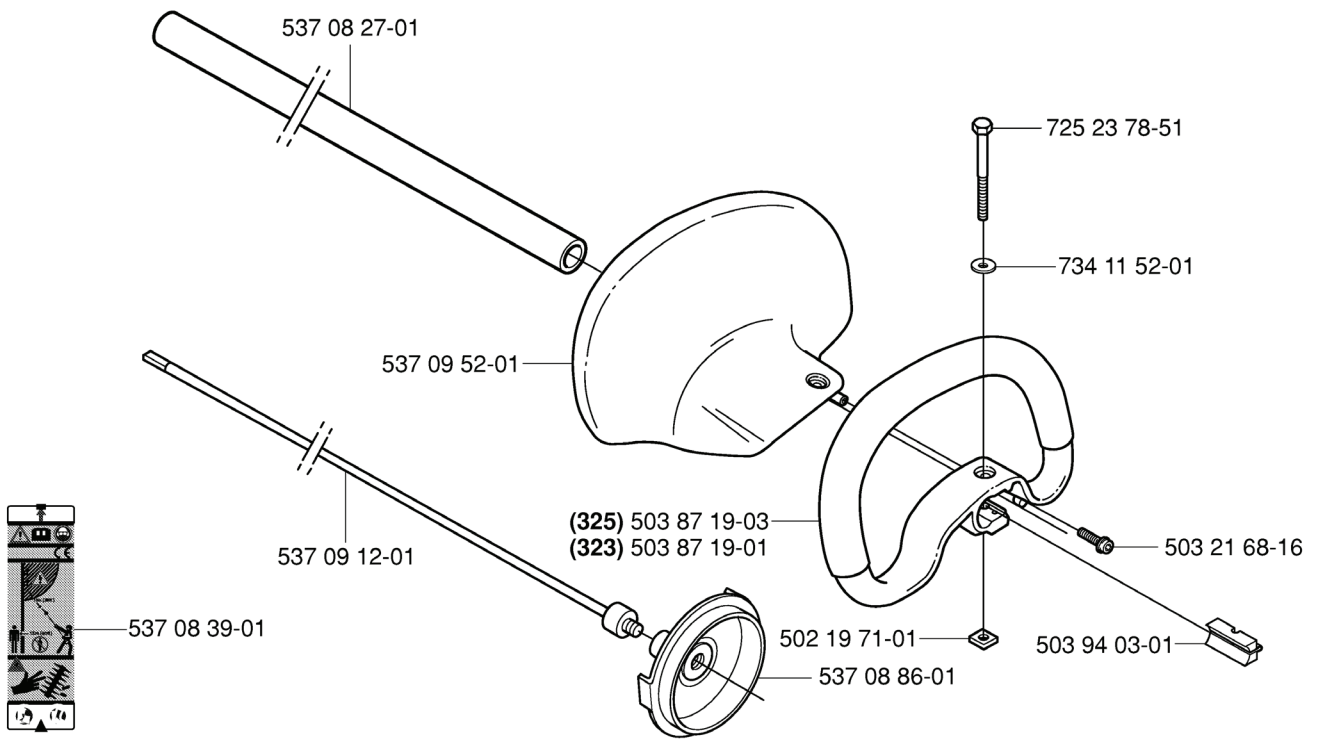
| REF. | PART NO. | DESCRIPTION | REMARK | QTY. | KIT |
|--------------|-----------|------------------|--------|------|-----|
| 503 88 88-01 | 503888801 | TUBE | | 1 | |
| 503 86 45-01 | 503864501 | DRIVE SHAFT | | 1 | |
| 537 08 39-01 | 537083901 | LABEL | | 1 | |
| 537 08 86-01 | 537088601 | CLUTCH DRUM ASSY | | 1 | |
| 731 23 14-01 | 731231401 | HEXAGON NUT | | 1 | |
| 503 94 10-01 | 503941001 | HOOK | | 1 | |
| 503 20 07-16 | 503200716 | SCREW IHSCFM | | 1 | |
| 537 08 55-01 | 537085501 | HANDLE | | 1 | |

B HDA55x



| REF. | PART NO. | DESCRIPTION | REMARK | QTY. | KIT |
|--------------|-----------|------------------|--------|------|-----|
| 537 09 11-01 | 537091101 | TUBE | | 1 | |
| 537 09 52-01 | 537095201 | HAND GUARD | | 1 | |
| 537 09 10-01 | 537091001 | DRIVE SHAFT | | 1 | |
| 537 08 39-01 | 537083901 | LABEL | | 1 | |
| 537 08 86-01 | 537088601 | CLUTCH DRUM ASSY | | 1 | |
| 502 19 71-01 | 502197101 | SQUARE NUT | | 1 | |
| 503 87 19-03 | 503871903 | HANDLE | | 1 | |
| 503 94 03-01 | 503940301 | DISTANCE | | 1 | |
| 503 21 68-16 | 503216816 | SCREW IHSCT | | 1 | |
| 734 11 52-01 | 734115201 | WASHER | | 1 | |
| 725 23 78-51 | 725237851 | SCREW EHHM | | 1 | |

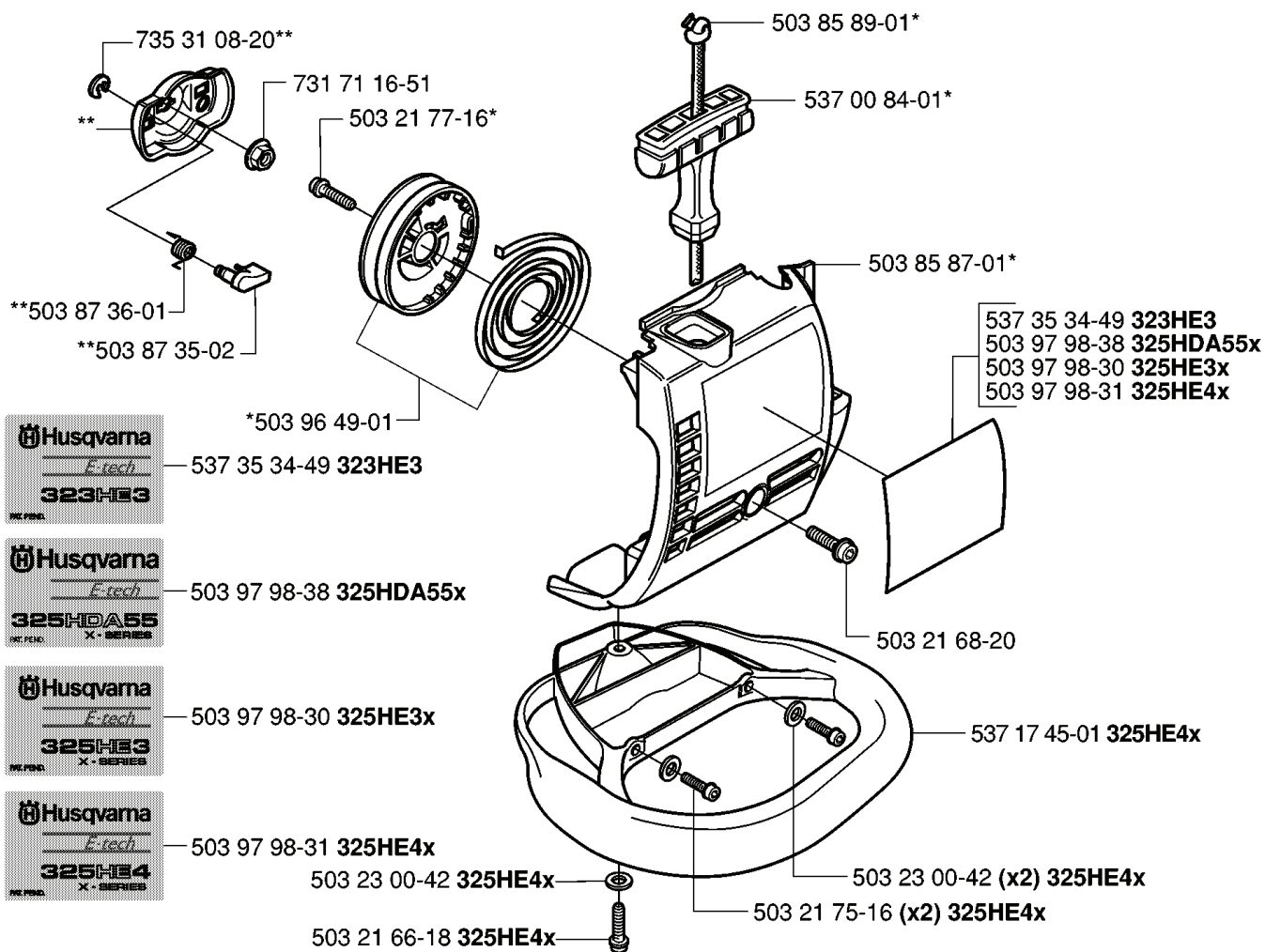
B HE3, HE3x



| REF. | PART NO. | DESCRIPTION | REMARK | QTY. | KIT |
|--------------|-----------|------------------|--------|------|-----|
| 537 08 27-01 | 537082701 | TUBE | | 1 | |
| 537 09 52-01 | 537095201 | HAND GUARD | | 1 | |
| 537 09 12-01 | 537091201 | DRIVE SHAFT | | 1 | |
| 537 08 39-01 | 537083901 | LABEL | | 1 | |
| 537 08 86-01 | 537088601 | CLUTCH DRUM ASSY | | 1 | |
| 502 19 71-01 | 502197101 | SQUARE NUT | | 1 | |
| 503 87 19-01 | 503871901 | HANDLE LOOP | 323 | 1 | |
| 503 87 19-03 | 503871903 | HANDLE | 325 | 1 | |
| 503 94 03-01 | 503940301 | DISTANCE | | 1 | |
| 503 21 68-16 | 503216816 | SCREW IHST | | 1 | |
| 734 11 52-01 | 734115201 | WASHER | | 1 | |
| 725 23 78-51 | 725237851 | SCREW EHHM | | 1 | |

G **compl 503 87 33-02

*compl 503 85 28-01



| REF. | PART NO. | DESCRIPTION | REMARK | QTY. | KIT |
|--------------|-----------|--------------------|-----------|------|-----|
| 503 87 33-02 | 503873302 | BRIDGE | | 1 | |
| 735 31 08-20 | 735310820 | E-CLIP | | 1 | |
| 731 71 16-51 | 731711651 | HEXAGON NUT FLANGE | | 1 | |
| 503 21 77-16 | 503217716 | SCREW IH SCT | | 1 | |
| 503 87 36-01 | 503873601 | SPRING | | 1 | |
| 503 87 35-02 | 503873502 | STARTER PAWL | | 1 | |
| 503 96 49-01 | 503964901 | STARTER PULLEY | | 1 | |
| 503 97 98-38 | 503979838 | DECAL | 325HDA55X | 1 | |
| 503 21 66-18 | 503216618 | SCREW IH SCT | 325HE4X | 1 | |
| 503 21 75-16 | 503217516 | SCREW IH SCFT | 325HE4X | 2 | |
| 503 23 00-42 | 503230042 | WASHER | 325HE4X | 2 | |
| 537 17 45-01 | 537174501 | HANDLE | 325HE4X | 1 | |
| 503 21 68-20 | 503216820 | SCREW IH SCFT | | 1 | |
| 503 97 98-31 | 503979831 | DECAL | 325HE4X | 1 | |
| 503 97 98-30 | 503979830 | DECAL | 325HE3X | 1 | |
| 537 35 34-49 | 537353449 | LABEL | 323HE3 | 1 | |
| 503 85 87-01 | 503858701 | STARTER HOUSING | | 1 | |
| 537 00 84-01 | 537008401 | STARTER HANDLE | | 1 | |
| 503 85 89-01 | 503858901 | STARTER ROPE | | 1 | |
| 503 85 28-01 | 503852801 | STARTER ASSY | | 1 | |