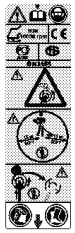
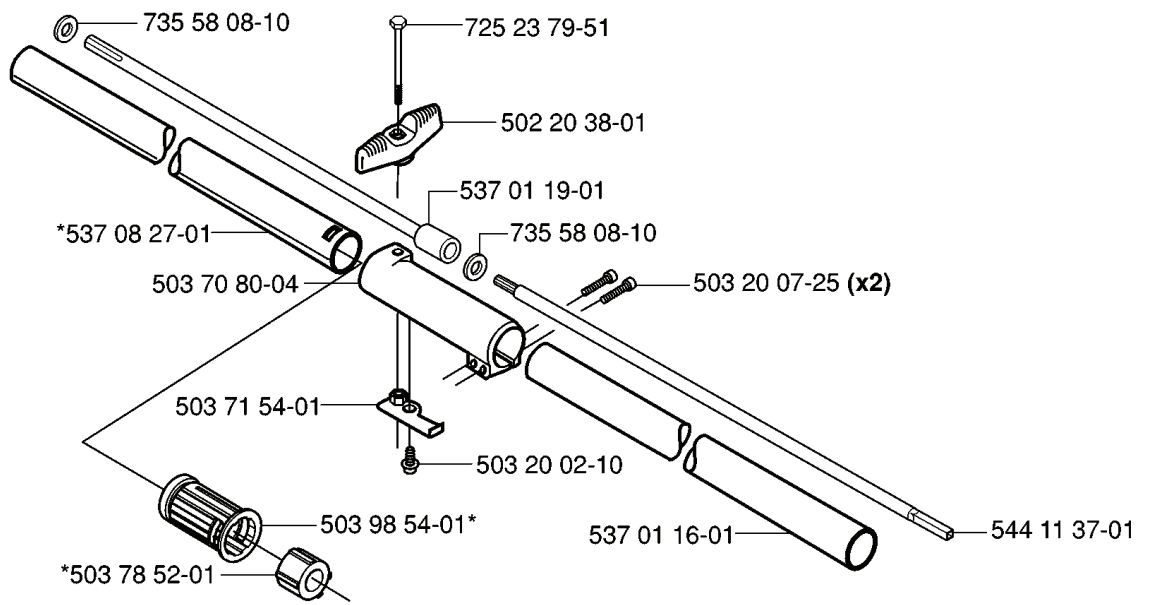


326 RX, 20061400001-20070100000

---

# **SPARE PARTS LIST**

**D** 326LDx  
 \*compl 537 07 99-01



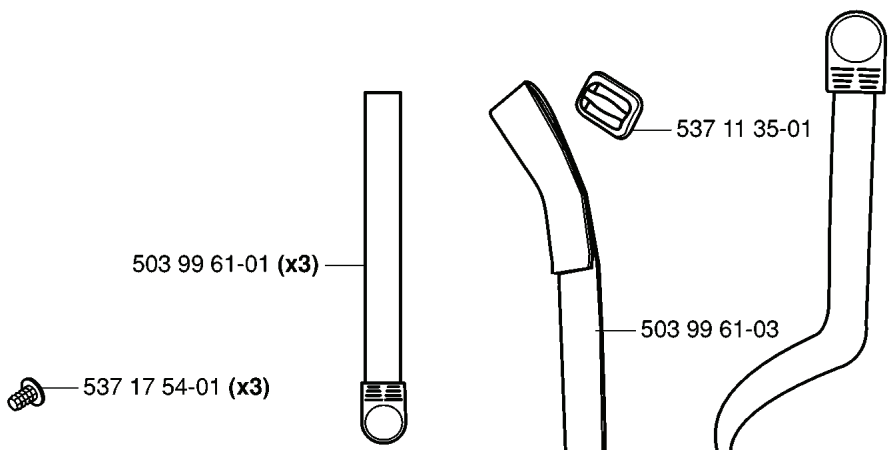
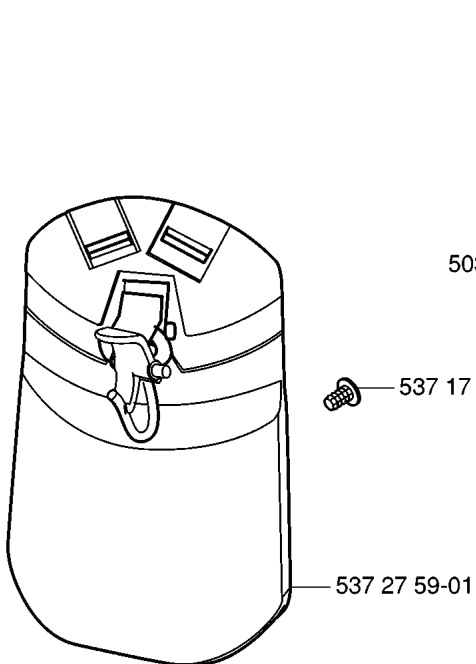
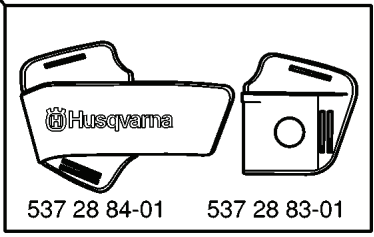
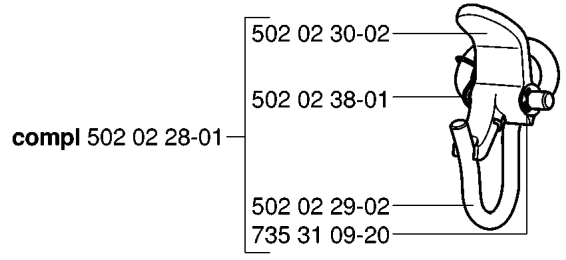
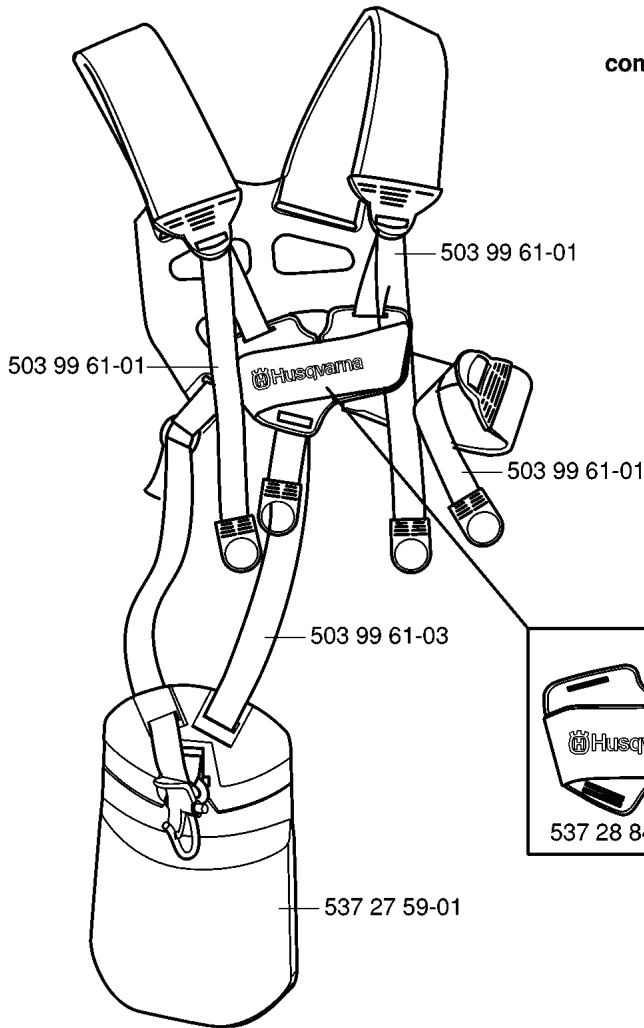
537 29 48-01



503 79 56-01

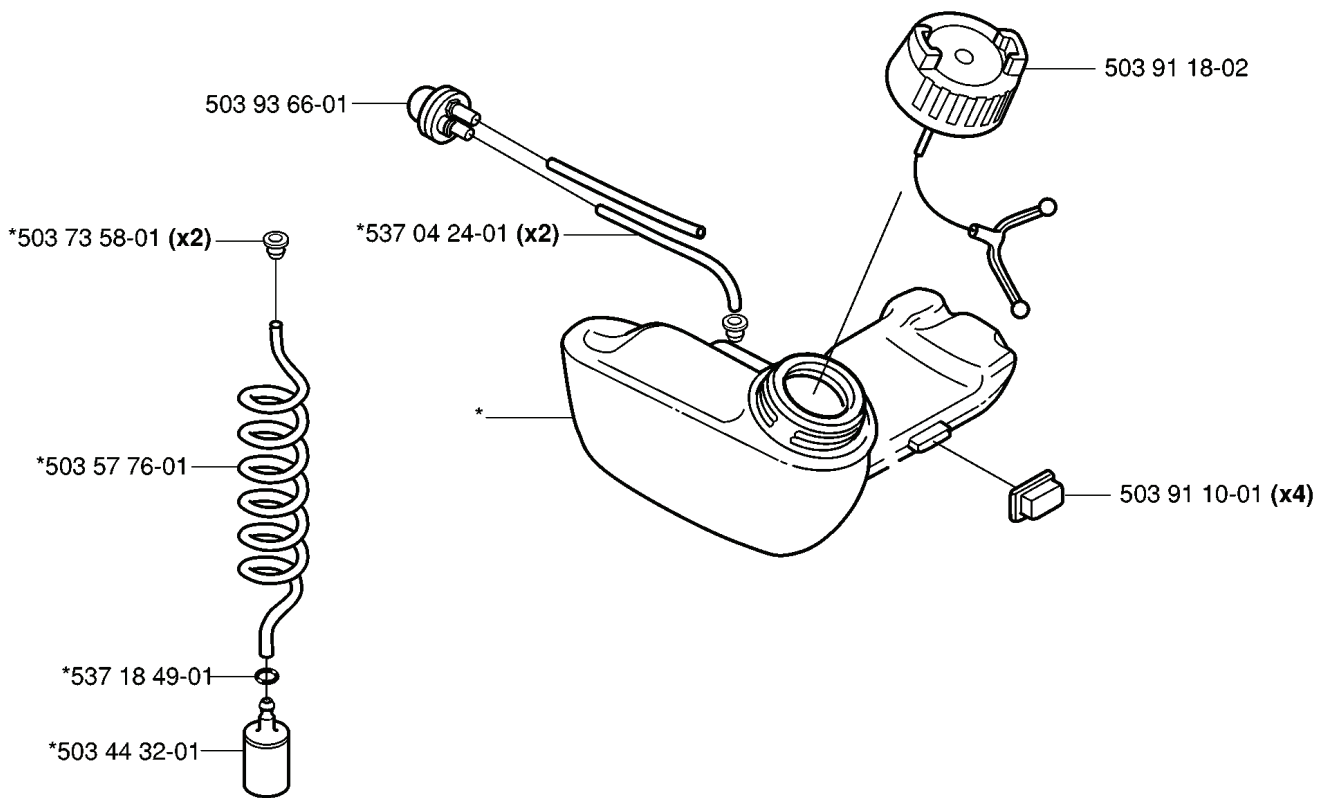
| REF.         | PART NO.  | DESCRIPTION        | REMARK | QTY. | KIT |
|--------------|-----------|--------------------|--------|------|-----|
| 537 29 48-01 | 537294801 | LABEL              |        | 1    |     |
| 503 79 56-01 | 503795601 | LABEL              |        | 1    |     |
| 537 07 99-01 | 537079901 | TUBE               | 326LDX | 1    |     |
| 735 58 08-10 | 735580810 | LOCKWASHER         |        | 1    |     |
| 537 08 27-01 | 537082701 | TUBE               |        | 1    |     |
| 503 70 80-04 | 503708004 | SLEEVE             |        | 1    |     |
| 503 71 54-01 | 503715401 | LOCKING PLATE      |        | 1    |     |
| 503 78 52-01 | 503785201 | SUPPORTING BEARING |        | 1    |     |
| 503 98 54-01 | 503985401 | BEARING CAGE       |        | 1    |     |
| 503 20 02-10 | 503200210 | SCREW IHSCFM       |        | 1    |     |
| 537 01 16-01 | 537011601 | TUBE               |        | 1    |     |
| 544 11 37-01 | 544113701 | DRIVE SHAFT ASSY   |        | 1    |     |
| 503 20 07-25 | 503200725 | SCREW IHSCFM       |        | 2    |     |
| 537 01 19-01 | 537011901 | DRIVE SHAFT        |        | 1    |     |
| 502 20 38-01 | 502203801 | KNOB               |        | 1    |     |
| 725 23 79-51 | 725237951 | SCREW EHHM         |        | 1    |     |

**Y Duo Balance**  
 \*compl 537 27 57-01  
 \*compl 537 27 57-03 US



| REF.         | PART NO.  | DESCRIPTION | REMARK      | QTY. | KIT |
|--------------|-----------|-------------|-------------|------|-----|
| 537 27 57-01 | 537275701 | HARNESS     | DUO BALANCE | 1    |     |
| 537 27 57-03 | 537275703 | HARNESS     | US          | 1    |     |
| 503 99 61-03 | 503996103 | BAND        |             | 1    |     |
| 503 99 61-01 | 503996101 | BAND        |             | 3    |     |
| 537 17 54-01 | 537175401 | HIP PAD     |             | 3    |     |
| 537 27 59-01 | 537275901 | HIP PAD     |             | 1    |     |
| 537 11 35-01 | 537113501 | RETAINER    |             | 1    |     |
| 537 28 83-01 | 537288301 | BUCKLE      |             | 1    |     |
| 537 28 84-01 | 537288401 | BUCKLE      |             | 1    |     |
| 502 02 28-01 | 502022801 | HOOK        |             | 1    |     |
| 502 02 30-02 | 502023002 | LOCK        |             | 1    |     |
| 502 02 38-01 | 502023801 | SPRING      |             | 1    |     |
| 502 02 29-02 | 502022902 | HOOK        |             | 1    |     |
| 735 31 09-20 | 735310920 | E-CLIP      |             | 1    |     |

**M** \*compl 537 06 86-02



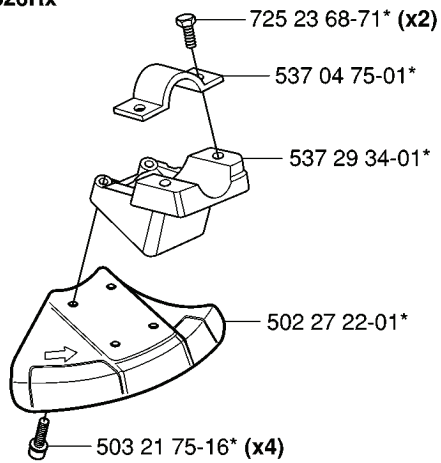
---

| REF.       | PART NO.  | DESCRIPTION | REMARK | QTY. | KIT |
|------------|-----------|-------------|--------|------|-----|
| 5370686-02 | 537068602 | FUEL TANK   |        | 1    |     |
| 5039366-01 | 503936601 | PURGE       |        | 1    |     |
| 5037358-01 | 503735801 | BUSHING     |        | 2    |     |
| 5035776-01 | 503577601 | FUEL HOSE   |        | 1    |     |
| 5371849-01 | 537184901 | O-RING      |        | 1    |     |
| 5034432-01 | 503443201 | FUEL FILTER |        | 1    |     |
| 5370424-01 | 537042401 | FUEL HOSE   |        | 2    |     |
| 5039118-02 | 503911802 | TANK CAP    |        | 1    |     |
| 5039110-01 | 503911001 | SUSPENSION  |        | 4    |     |

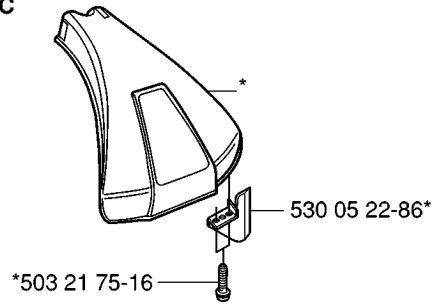


**U Accessories**  
**Zubehöre**  
**Accessoires**  
**Accesorios**  
**Tillbehör**

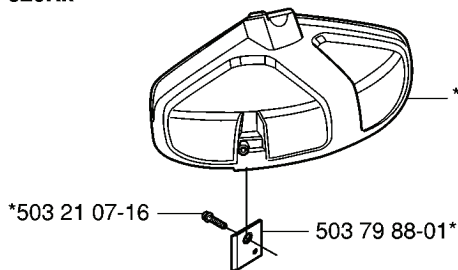
\*compl 537 29 95-01  
**323R**  
**326Rx**



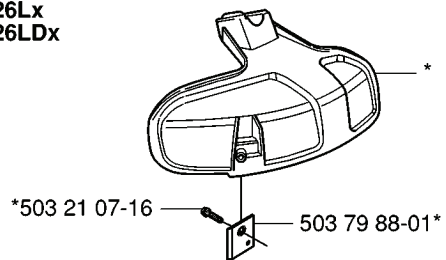
\*compl 537 02 61-01  
**326C**



\*compl 503 93 42-02  
**323R**  
**326Rx**



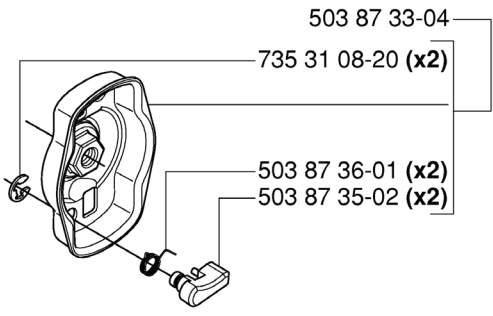
\*compl 503 97 71-01  
**323L**  
**326Lx**  
**326LDx**



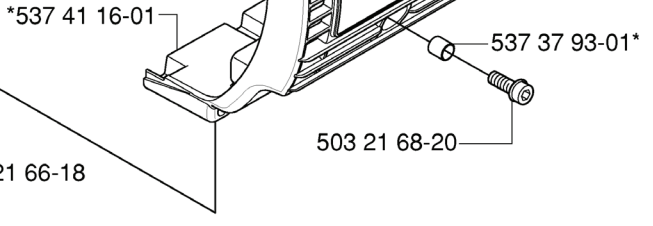
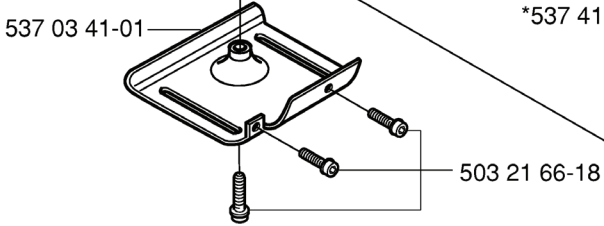
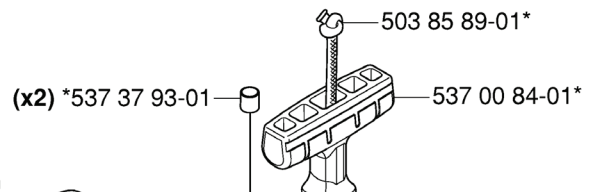
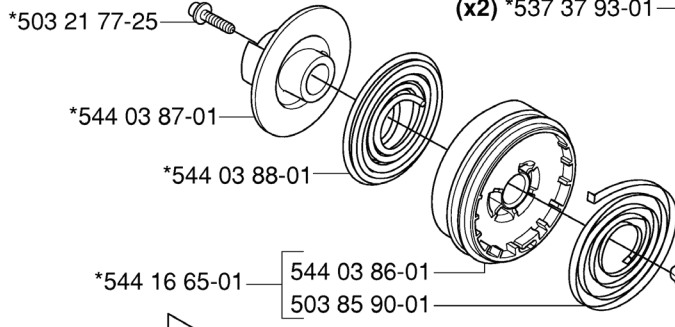
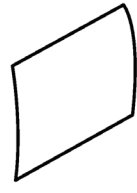
| REF.         | PART NO.  | DESCRIPTION        | REMARK                 | QTY. | KIT |
|--------------|-----------|--------------------|------------------------|------|-----|
| 537 29 95-01 | 537299501 | SAW BLADE GUARD    | 323R 326RX             | 1    |     |
| 725 23 68-71 | 725236871 | SCREW EHHM         |                        | 2    |     |
| 537 04 75-01 | 537047501 | CLAMP              |                        | 1    |     |
| 537 29 34-01 | 537293401 | ADAPTER            |                        | 1    |     |
| 502 27 22-01 | 502272201 | SAW BLADE GUARD    |                        | 1    |     |
| 503 21 75-16 | 503217516 | SCREW IHSCFT       |                        | 4    |     |
| 503 93 42-02 | 503934202 | COMBINATION GUARD  | 323R 326RX             | 1    |     |
| 503 97 71-01 | 503977101 | TRIMMER GUARD ASSY | 323L 326L 326LX 326LDX | 1    |     |
| 503 21 07-16 | 503210716 | SCREW IHSCFT       |                        | 1    |     |
| 503 79 88-01 | 503798801 | BLADE              |                        | 1    |     |
| 537 02 61-01 | 537026101 | TRIMMER GUARD      | 326C                   | 1    |     |
| 530 05 22-86 | 530052286 | LINE               |                        | 1    |     |



\*compl 544 07 11-01

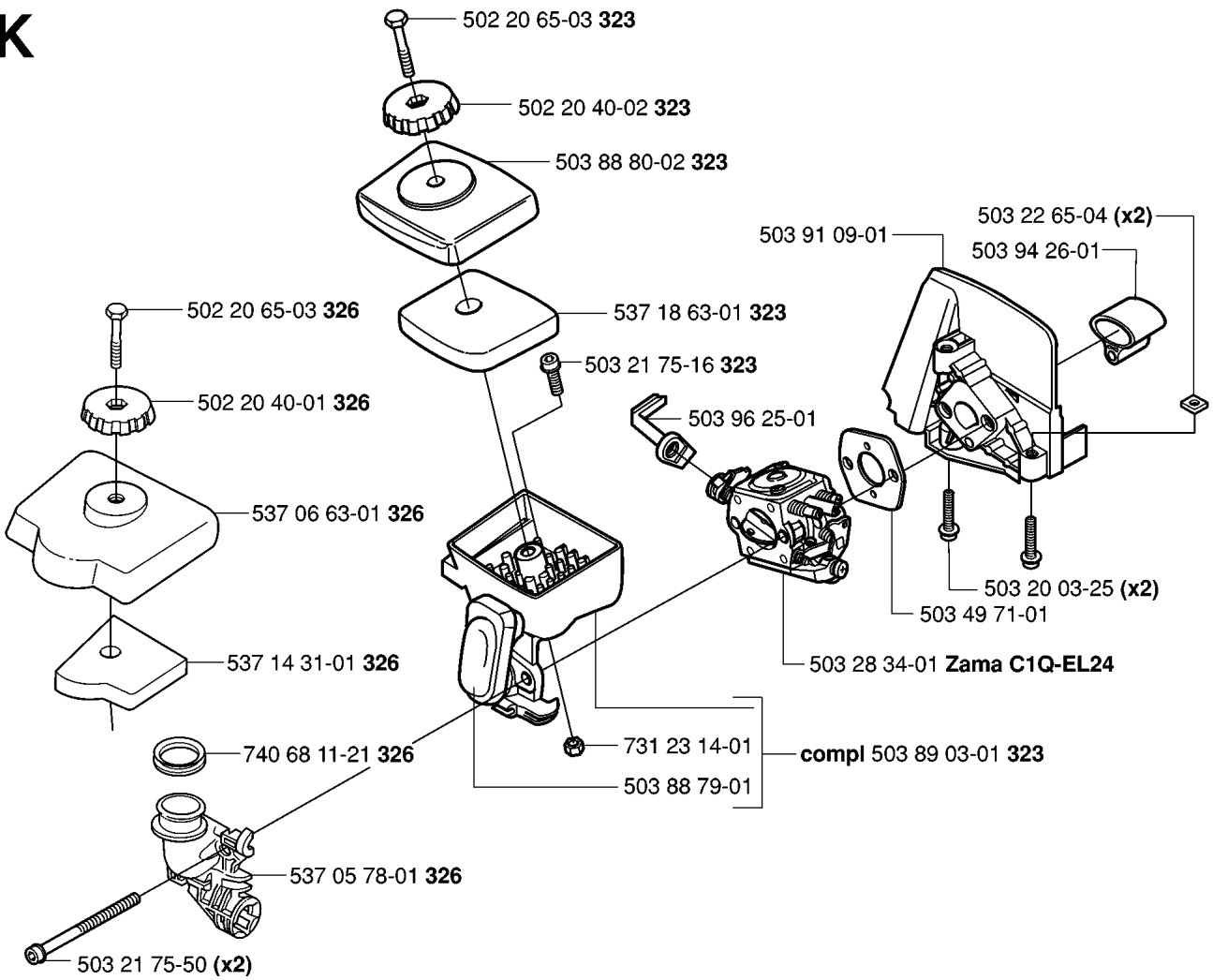


- 537 35 34-31 (326Lx)
- 537 35 34-33 (326Rx)
- 537 35 34-29 (326C)
- 537 35 34-23 (326L)
- 537 35 34-32 (326LDx)
- 537 35 34-04 (323L)
- 537 35 34-07 (323R)
- 537 35 34-34 (326RJx)



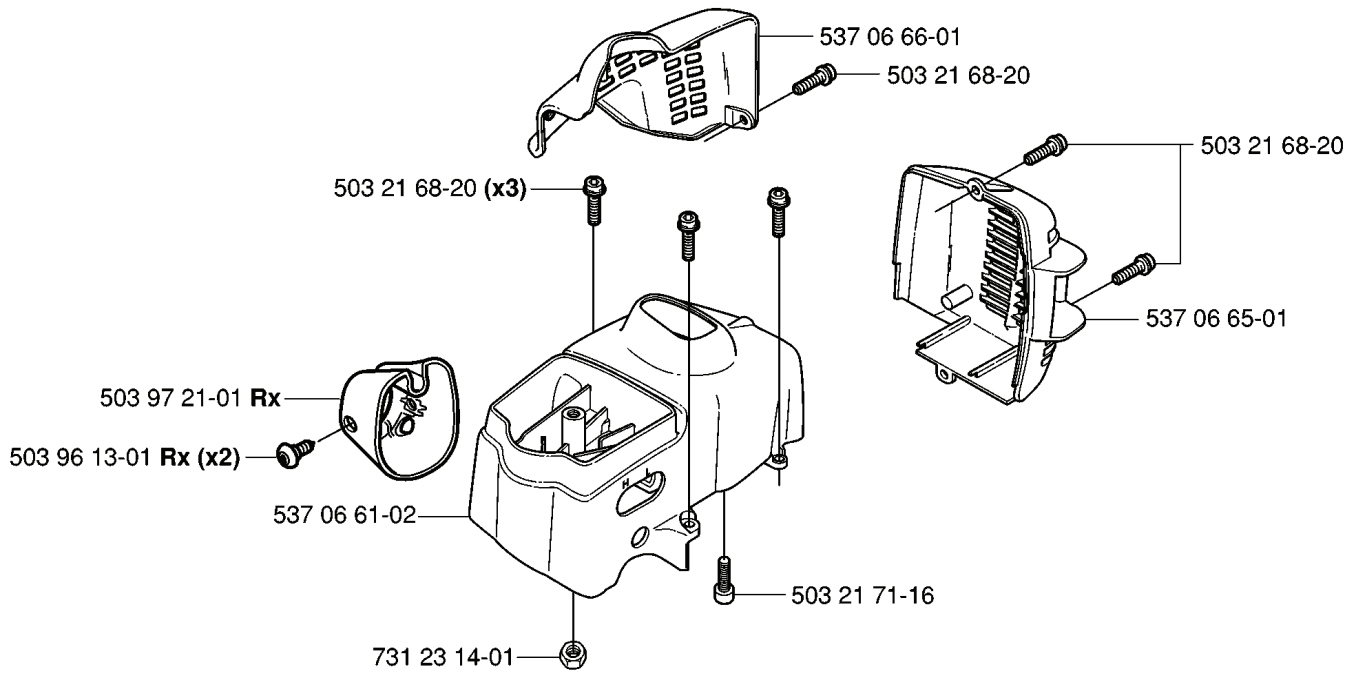
| REF.         | PART NO.  | DESCRIPTION         | REMARK | QTY. | KIT |
|--------------|-----------|---------------------|--------|------|-----|
| 544 07 11-01 | 544071101 | STARTER ASSY        |        | 1    |     |
| 503 87 33-04 | 503873304 | STARTER PAWL BRIDGE |        | 1    |     |
| 735 31 08-20 | 735310820 | E-CLIP              |        | 2    |     |
| 503 87 36-01 | 503873601 | SPRING              |        | 2    |     |
| 503 87 35-02 | 503873502 | STARTER PAWL        |        | 2    |     |
| 503 21 77-25 | 503217725 | SCREW IHSC T        |        | 1    |     |
| 544 03 87-01 | 544038701 | DRIVER              |        | 1    |     |
| 544 03 88-01 | 544038801 | SPRING              |        | 1    |     |
| 544 16 65-01 | 544166501 | STARTER PULLEY ASSY |        | 1    |     |
| 537 03 41-01 | 537034101 | PROTECTIVE PLATE    |        | 1    |     |
| 503 85 90-01 | 503859001 | RECOIL SPRING       |        | 1    |     |
| 544 03 86-01 | 544038601 | STARTER PULLEY      |        | 1    |     |
| 537 41 16-01 | 537411601 | STARTER HOUSING     |        | 1    |     |
| 503 21 66-18 | 503216618 | SCREW IHSC T        |        | 1    |     |
| 503 21 68-20 | 503216820 | SCREW IHSC FT       |        | 1    |     |
| 537 00 84-01 | 537008401 | STARTER HANDLE      |        | 1    |     |
| 503 85 89-01 | 503858901 | STARTER ROPE        |        | 1    |     |
| 537 37 93-01 | 537379301 | SPACING SLEEVE      |        | 2    |     |
| 537 35 34-31 | 537353431 | LABEL               | 326LX  | 1    |     |
| 537 35 34-33 | 537353433 | LABEL               | 326RX  | 1    |     |
| 537 35 34-29 | 537353429 | LABEL               | 326C   | 1    |     |
| 537 35 34-23 | 537353423 | LABEL               | 326L   | 1    |     |
| 537 35 34-32 | 537353432 | LABEL               | 326LDX | 1    |     |
| 537 35 34-04 | 537353404 | LABEL               | 323L   | 1    |     |
| 537 35 34-07 | 537353407 | LABEL               | 323R   | 1    |     |
| 537 35 34-34 | 537353434 | LABEL               | 326RIX | 1    |     |

**K**



| REF.         | PART NO.  | DESCRIPTION     | REMARK        | QTY. | KIT |
|--------------|-----------|-----------------|---------------|------|-----|
| 502 20 65-03 | 502206503 | SCREW EHHM      | 323           | 1    |     |
| 502 20 40-01 | 502204001 | KNOB            | 326           | 1    |     |
| 537 06 63-01 | 537066301 | FILTER COVER    | 326           | 1    |     |
| 537 14 31-01 | 537143101 | AIR FILTER ASSY | 326           | 1    |     |
| 740 68 11-21 | 740681121 | V-RING          | 326           | 1    |     |
| 537 05 78-01 | 537057801 | BRACKET         | 326           | 1    |     |
| 503 21 75-50 | 503217550 | SCREW IHSCFT    |               | 2    |     |
| 503 88 79-01 | 503887901 | HUB CAP         |               | 1    |     |
| 731 23 14-01 | 731231401 | HEXAGON NUT     |               | 1    |     |
| 503 96 25-01 | 503962501 | CHOKE CONTROL   |               | 1    |     |
| 503 21 75-16 | 503217516 | SCREW IHSCFT    | 323           | 1    |     |
| 537 18 63-01 | 537186301 | AIR FILTER      | 323           | 1    |     |
| 503 91 09-01 | 503910901 | INSULATION WALL |               | 1    |     |
| 503 88 80-02 | 503888002 | FILTER COVER    | 323           | 1    |     |
| 502 20 40-02 | 502204002 | KNOB            | 323           | 1    |     |
| 503 22 65-04 | 503226504 | SQUARE NUT      |               | 2    |     |
| 503 94 26-01 | 503942601 | INLET PIPE      |               | 1    |     |
| 503 20 03-25 | 503200325 | SCREW IHSCFM    |               | 2    |     |
| 503 49 71-01 | 503497101 | GASKET          |               | 1    |     |
| 503 28 34-01 | 503283401 | CARBURETTOR     | ZAMA C1Q-EL24 | 1    |     |
| 503 89 03-01 | 503890301 | FILTER HOLDER   | 323           | 1    |     |

**J** 326C, L, Lx, LDx, RX, RJx

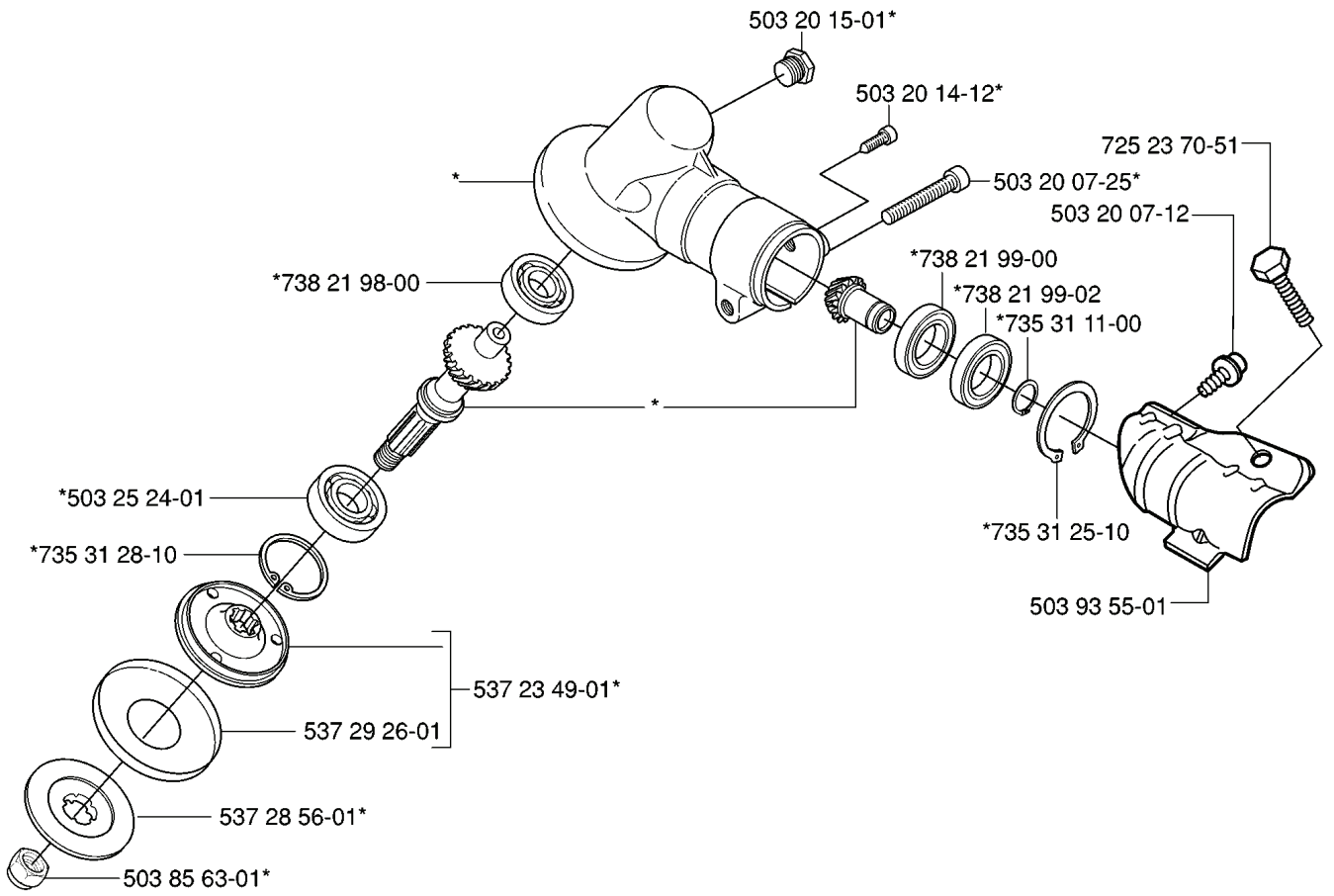


---

| REF.       | PART NO.  | DESCRIPTION    | REMARK                    | QTY. | KIT |
|------------|-----------|----------------|---------------------------|------|-----|
| 5039721-01 | 503972101 | COVER          | RX                        | 1    |     |
| 5039613-01 | 503961301 | SCREW          | RX                        | 2    |     |
| 5370661-02 | 537066102 | CYLINDER COVER |                           | 1    |     |
| 7312314-01 | 731231401 | HEXAGON NUT    |                           | 1    |     |
| 5032171-16 | 503217116 | SCREW IHSC T   |                           | 1    |     |
| 5370665-01 | 537066501 | HEAT PROTECTOR |                           | 1    |     |
| 5032168-20 | 503216820 | SCREW IHSC FT  | 326C, L, LX, LDX, RX, RJX | 1    |     |
| 5370666-01 | 537066601 | ARM PROTECTION |                           | 1    |     |

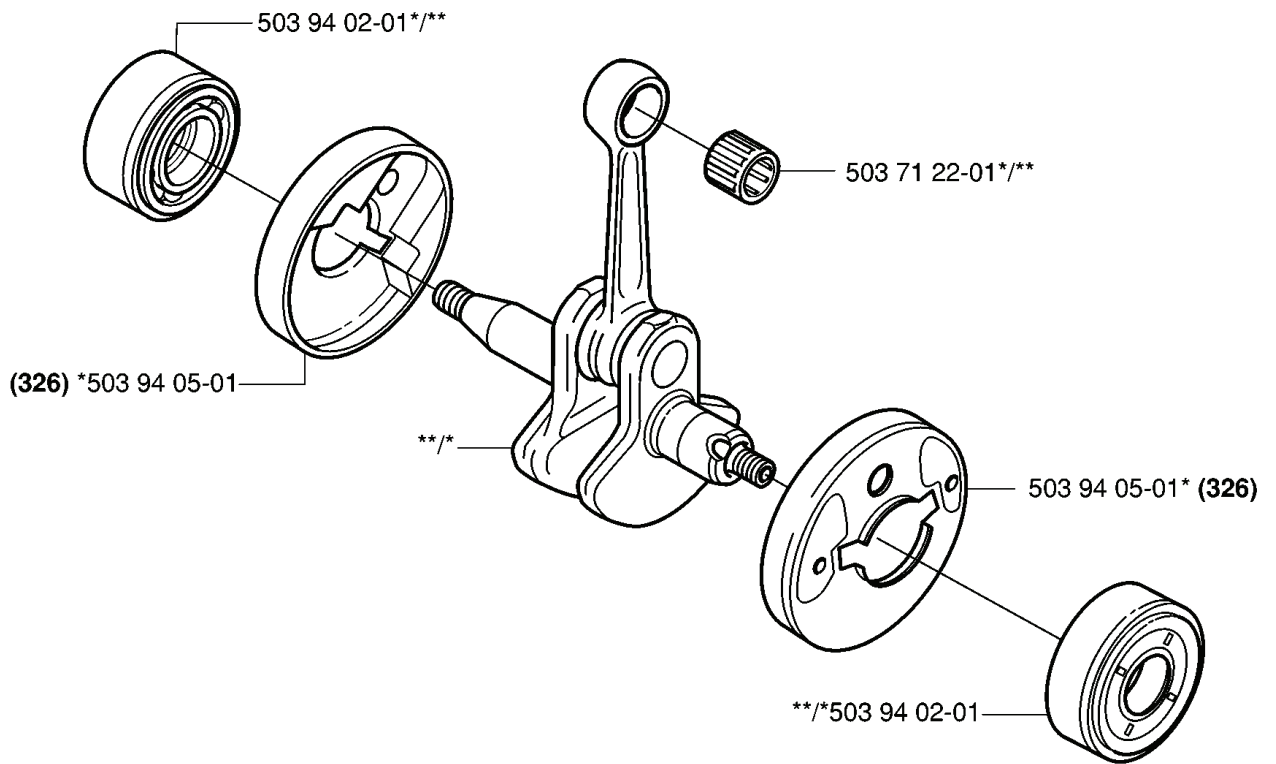


**A** \*compl 537 19 92-02



| REF.         | PART NO.  | DESCRIPTION     | REMARK | QTY. | KIT |
|--------------|-----------|-----------------|--------|------|-----|
| 537 19 92-02 | 537199202 | BEVEL GEAR ASSY |        | 1    |     |
| 738 21 98-00 | 738219800 | BALL BEARING    |        | 1    |     |
| 503 25 24-01 | 503252401 | BALL BEARING    |        | 1    |     |
| 735 31 28-10 | 735312810 | CIRCLIP         |        | 1    |     |
| 537 23 49-01 | 537234901 | DRIVER ASSY     |        | 1    |     |
| 537 29 26-01 | 537292601 | CUP             |        | 1    |     |
| 537 28 56-01 | 537285601 | SUPPORT FLANGE  |        | 1    |     |
| 503 85 63-01 | 503856301 | NUT             |        | 1    |     |
| 503 20 15-01 | 503201501 | SCREW           |        | 1    |     |
| 503 20 14-12 | 503201412 | SCREW IHSCFMO   |        | 1    |     |
| 503 20 07-25 | 503200725 | SCREW IHSCFM    |        | 1    |     |
| 738 21 99-00 | 738219900 | BALL BEARING    |        | 1    |     |
| 738 21 99-02 | 738219902 | BALL BEARING    |        | 1    |     |
| 735 31 11-00 | 735311100 | CIRCLIP         |        | 1    |     |
| 735 31 25-10 | 735312510 | CIRCLIP         |        | 1    |     |
| 503 93 55-01 | 503935501 | CLAMP GUARD     |        | 1    |     |
| 503 20 07-12 | 503200712 | SCREW IHSCFM    |        | 1    |     |
| 725 23 70-51 | 725237051 | SCREW           |        | 1    |     |

**T** \*compl 503 85 24-74 (326)  
\*\*compl 503 85 24-75 (323)

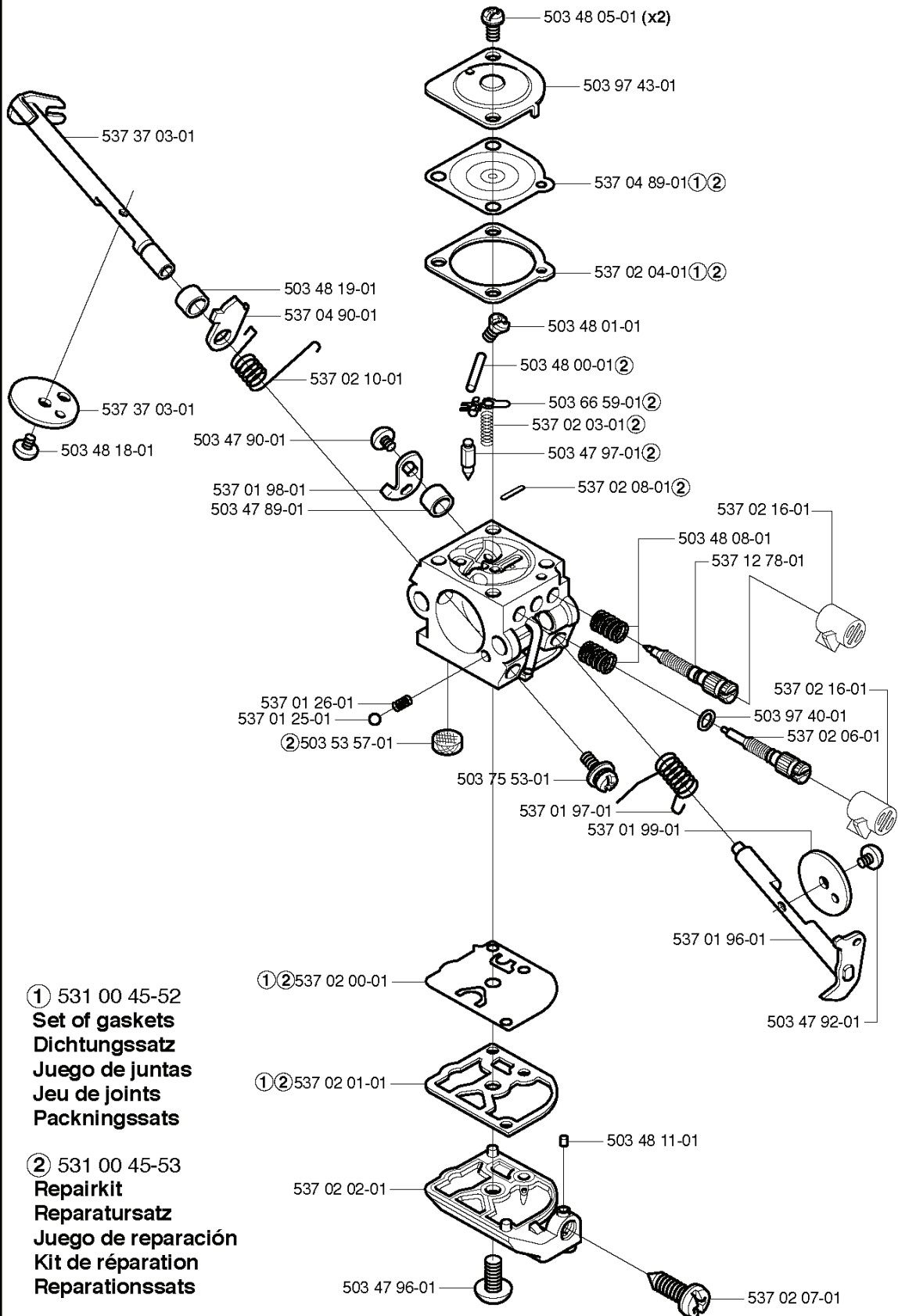


---

| REF.         | PART NO.  | DESCRIPTION     | REMARK | QTY. | KIT |
|--------------|-----------|-----------------|--------|------|-----|
| 503 85 24-74 | 503852474 | CRANKSHAFT ASSY | 326    | 1    |     |
| 503 85 24-75 | 503852475 | CRANKSHAFT ASSY | 323    | 1    |     |
| 503 71 22-01 | 503712201 | BEARING         |        | 1    |     |
| 503 94 05-01 | 503940501 | CUP             | 326    | 1    |     |
| 503 94 02-01 | 503940201 | BEARING CAGE    |        | 1    |     |

**V** compl 503 28 34-01 Zama C1Q-EL24  
(Not for US)

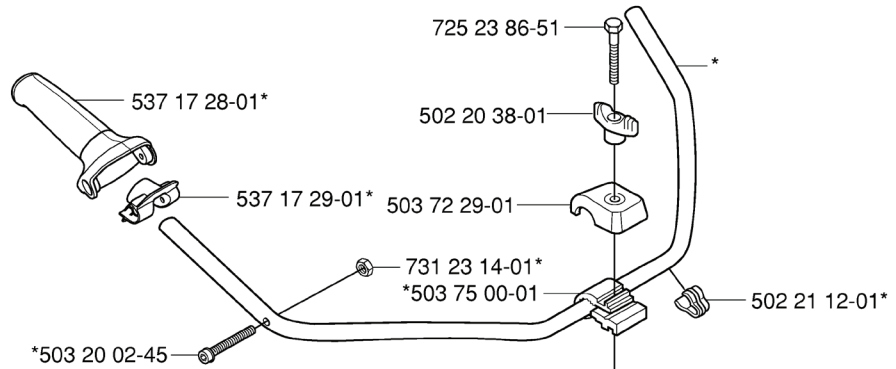
# Zama C1Q-EL24



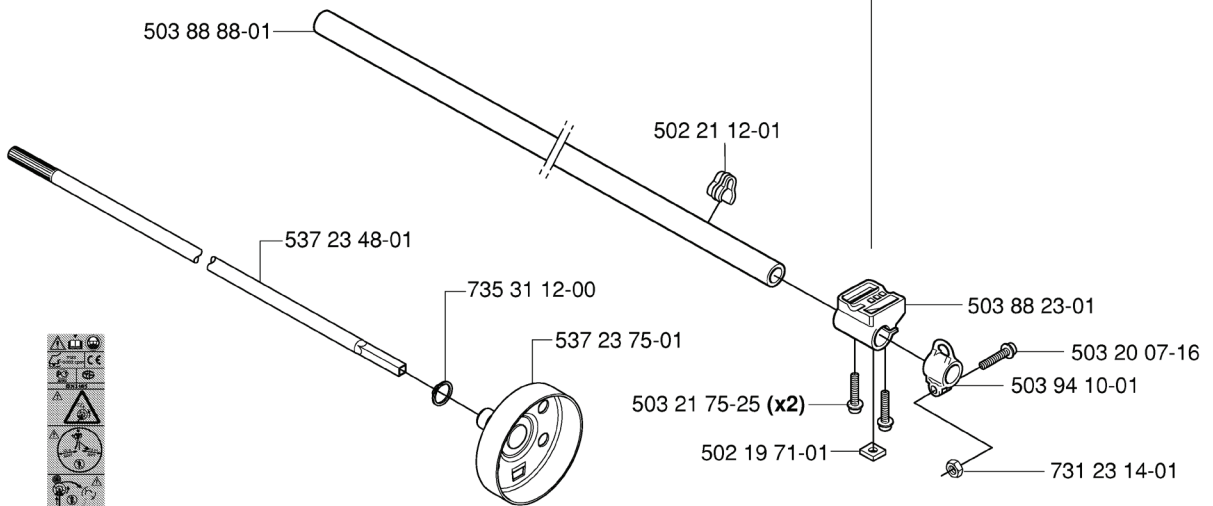
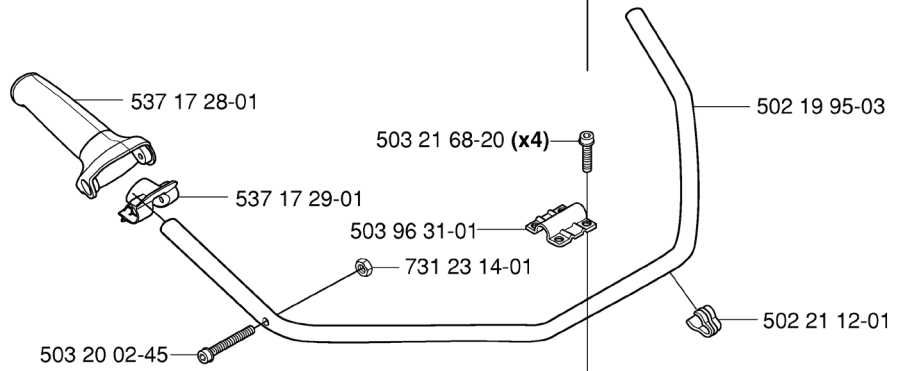
| REF.         | PART NO.  | DESCRIPTION         | REMARK   | QTY. | KIT |
|--------------|-----------|---------------------|--|------|-----|
| 503 28 34-01 | 503283401 | CARBURETTOR         | ZAMA C1Q-EL24                                      | 1    |     |
| 537 37 03-01 | 537370301 | VALVE               |  | 1    |     |
| 503 48 18-01 | 503481801 | SCREW               |  | 1    |     |
| 537 01 26-01 | 537012601 | SPRING              |  | 1    |     |
| 537 01 25-01 | 537012501 | BALL                |  | 1    |     |
| 503 53 57-01 | 503535701 | STRAINER            | 531 00 45-53 REPAIRKIT                             | 1    |     |
| 537 02 00-01 | 537020001 | DIAPHRAGM PUMP      | 531 00 45-52 SET OF GASKETS 531 00 45-53 REPAIRKIT | 1    |     |
| 537 02 01-01 | 537020101 | GASKET              | 531 00 45-52 SET OF GASKETS 531 00 45-53 REPAIRKIT | 1    |     |
| 537 02 02-01 | 537020201 | COVER               |  | 1    |     |
| 503 47 96-01 | 503479601 | SCREW               |  | 1    |     |
| 537 02 07-01 | 537020701 | SCREW               |  | 1    |     |
| 503 48 11-01 | 503481101 | PIECE               |  | 1    |     |
| 537 01 99-01 | 537019901 | VALVE               |  | 1    |     |
| 537 01 97-01 | 537019701 | SPRING              |  | 1    |     |
| 503 75 53-01 | 503755301 | SCREW               |  | 1    |     |
| 503 47 89-01 | 503478901 | COLLAR              |  | 1    |     |
| 537 01 98-01 | 537019801 | LEVER               |  | 1    |     |
| 503 47 90-01 | 503479001 | SCREW               |  | 1    |     |
| 537 02 10-01 | 537021001 | SPRING              |  | 1    |     |
| 537 04 90-01 | 537049001 | LEVER               |  | 1    |     |
| 503 48 19-01 | 503481901 | COLLAR              |  | 1    |     |
| 503 48 05-01 | 503480501 | SCREW               |  | 2    |     |
| 503 97 43-01 | 503974301 | COVER               |  | 1    |     |
| 537 04 89-01 | 537048901 | DIAPHRAGM           | 531 00 45-52 SET OF GASKETS 531 00 45-53 REPAIRKIT | 1    |     |
| 537 02 04-01 | 537020401 | GASKET              | 531 00 45-52 SET OF GASKETS 531 00 45-53 REPAIRKIT | 1    |     |
| 503 48 01-01 | 503480101 | SCREW               |  | 1    |     |
| 503 48 00-01 | 503480001 | PIN RETAINING SCREW | 531 00 45-53 REPAIRKIT                             | 1    |     |
| 503 66 59-01 | 503665901 | LEVER               | 531 00 45-53 REPAIRKIT                             | 1    |     |
| 537 02 03-01 | 537020301 | SPRING              | 531 00 45-53 REPAIRKIT                             | 1    |     |
| 503 47 97-01 | 503479701 | VALVE               | 531 00 45-53 REPAIRKIT                             | 1    |     |
| 537 02 08-01 | 537020801 | PLUG                | 531 00 45-53 REPAIRKIT                             | 1    |     |
| 503 48 08-01 | 503480801 | SPRING              |  | 1    |     |
| 537 12 78-01 | 537127801 | SCREW               |  | 1    |     |
| 537 02 16-01 | 537021601 | LIMITER CAP         |  | 1    |     |
| 503 97 40-01 | 503974001 | WASHER              |  | 1    |     |
| 537 02 06-01 | 537020601 | SCREW               |  | 1    |     |
| 537 01 96-01 | 537019601 | SHAFT ASSY          |  | 1    |     |
| 503 47 92-01 | 503479201 | SCREW               |  | 1    |     |
| 531 00 45-52 | 531004552 | GASKET KIT          |  | 1    |     |
| 531 00 45-53 | 531004553 | GASKET KIT          |  | 1    |     |

**E** 323R  
 326Rx  
 \*compl 503 72 43-09

**326Rx**



**323R**

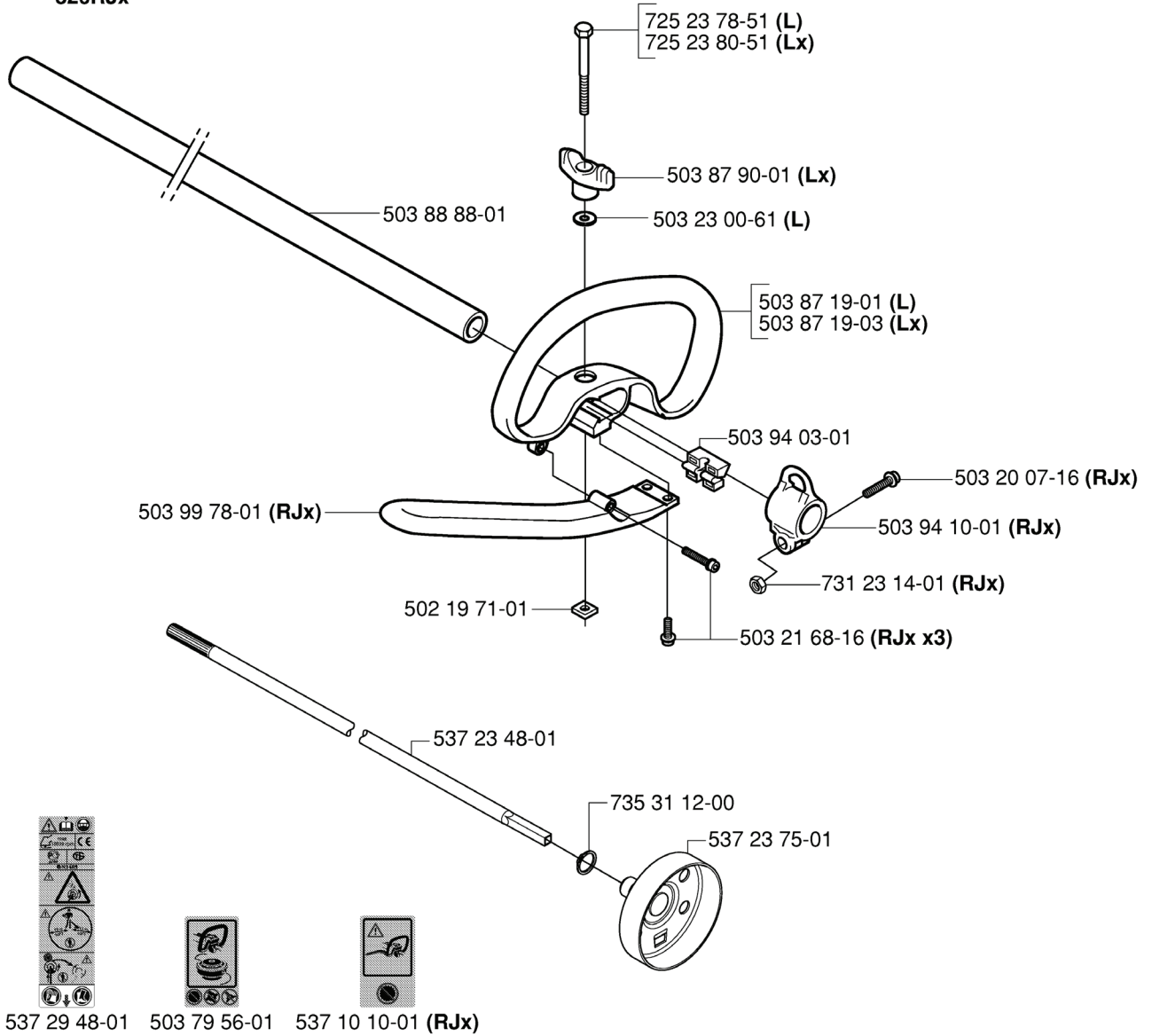


537 29 48-01

| REF.         | PART NO.  | DESCRIPTION       | REMARK     | QTY. | KIT |
|--------------|-----------|-------------------|------------|------|-----|
| 503 72 43-09 | 503724309 | HANDLEBAR         | 323R 326RX | 1    |     |
| 503 20 02-45 | 503200245 | SCREW IHSCFM      |            | 1    |     |
| 503 75 00-01 | 503750001 | HANDLEBAR BRACKET |            | 1    |     |
| 503 72 29-01 | 503722901 | COVER             |            | 1    |     |
| 502 20 38-01 | 502203801 | KNOB              |            | 1    |     |
| 725 23 86-51 | 725238651 | SCREW EHHM        |            | 1    |     |
| 537 17 28-01 | 537172801 | HANDLE            |            | 1    |     |
| 537 17 29-01 | 537172901 | COVER             |            | 1    |     |
| 503 96 31-01 | 503963101 | BRACKET           |            | 1    |     |
| 503 21 68-20 | 503216820 | SCREW IHSCFT      |            | 4    |     |
| 502 19 95-03 | 502199503 | HANDLEBAR         |            | 1    |     |
| 537 29 48-01 | 537294801 | LABEL             |            | 1    |     |
| 503 88 88-01 | 503888801 | TUBE              |            | 1    |     |
| 537 23 48-01 | 537234801 | DRIVE SHAFT       |            | 1    |     |
| 735 31 12-00 | 735311200 | CIRCLIP           |            | 1    |     |
| 537 23 75-01 | 537237501 | CLUTCH DRUM ASSY  |            | 1    |     |
| 503 21 75-25 | 503217525 | SCREW IHSCFT      |            | 2    |     |
| 502 19 71-01 | 502197101 | SQUARE NUT        |            | 1    |     |
| 731 23 14-01 | 731231401 | HEXAGON NUT       |            | 1    |     |
| 503 94 10-01 | 503941001 | HOOK              |            | 1    |     |
| 503 20 07-16 | 503200716 | SCREW IHSCFM      |            | 1    |     |
| 503 88 23-01 | 503882301 | BRACKET           |            | 1    |     |
| 502 21 12-01 | 502211201 | STAPLE            |            | 1    |     |

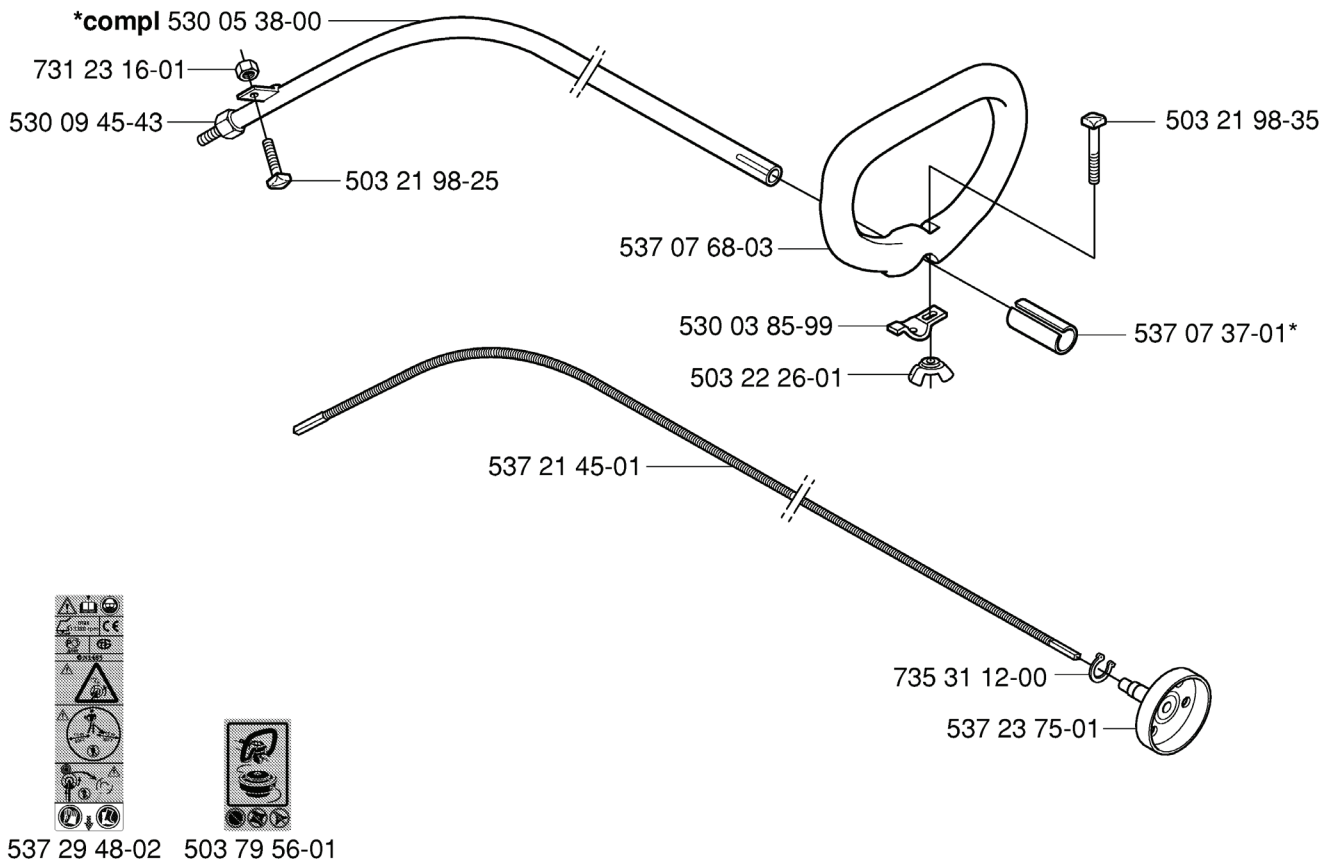


**C** 323L  
326L, Lx  
326RJx



| REF.         | PART NO.  | DESCRIPTION      | REMARK              | QTY. | KIT |
|--------------|-----------|------------------|---------------------|------|-----|
| 537 29 48-01 | 537294801 | LABEL            | 323L 326L LX 326RJX | 1    |     |
| 503 79 56-01 | 503795601 | LABEL            |                     | 1    |     |
| 537 10 10-01 | 537101001 | LABEL            | RJX                 | 1    |     |
| 503 88 88-01 | 503888801 | TUBE             |                     | 1    |     |
| 503 99 78-01 | 503997801 | HANDLE           | RJX                 | 1    |     |
| 502 19 71-01 | 502197101 | SQUARE NUT       |                     | 1    |     |
| 537 23 48-01 | 537234801 | DRIVE SHAFT      |                     | 1    |     |
| 735 31 12-00 | 735311200 | CIRCLIP          |                     | 1    |     |
| 537 23 75-01 | 537237501 | CLUTCH DRUM ASSY |                     | 1    |     |
| 503 21 68-16 | 503216816 | SCREW IHSCCT     | RJX                 | 3    |     |
| 731 23 14-01 | 731231401 | HEXAGON NUT      | RJX                 | 1    |     |
| 503 94 10-01 | 503941001 | HOOK             | RJX                 | 1    |     |
| 503 20 07-16 | 503200716 | SCREW IHSCFM     | RJX                 | 1    |     |
| 503 94 03-01 | 503940301 | DISTANCE         |                     | 1    |     |
| 503 87 19-03 | 503871903 | HANDLE           | LX                  | 1    |     |
| 503 87 19-01 | 503871901 | HANDLE LOOP      | L                   | 1    |     |
| 503 23 00-61 | 503230061 | WASHER           | L                   | 1    |     |
| 503 87 90-01 | 503879001 | KNOB             | LX                  | 1    |     |
| 725 23 80-51 | 725238051 | SCREW EHHM       | LX                  | 1    |     |
| 725 23 78-51 | 725237851 | SCREW EHHM       | L                   | 1    |     |

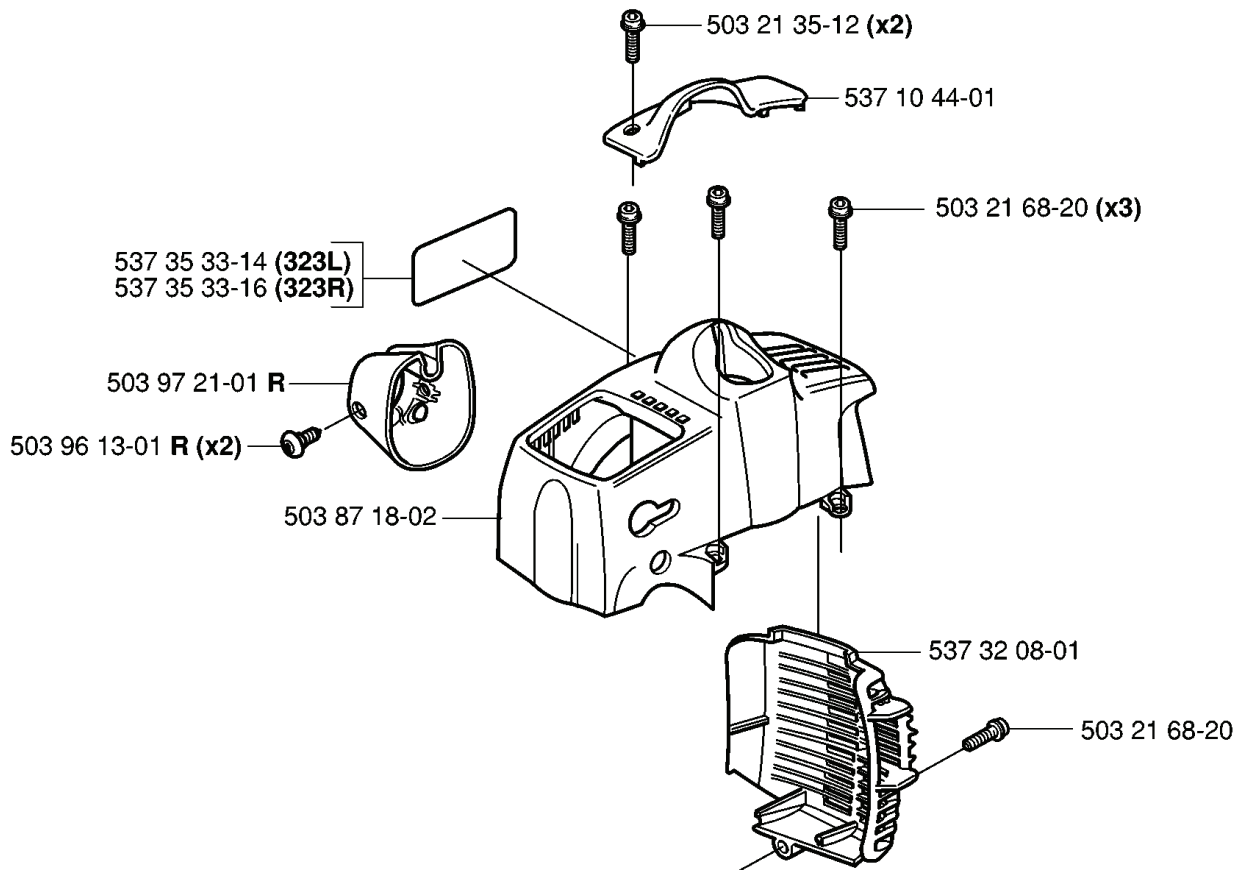
# B 326C



---

| REF.         | PART NO.  | DESCRIPTION      | REMARK | QTY. | KIT |
|--------------|-----------|------------------|--------|------|-----|
| 537 29 48-02 | 537294802 | LABEL            | 326C   | 1    |     |
| 503 79 56-01 | 503795601 | LABEL            |        | 1    |     |
| 530 09 45-43 | 530094543 | DRIVER           |        | 1    |     |
| 731 23 16-01 | 731231601 | HEXAGON NUT      |        | 1    |     |
| 530 05 38-00 | 530053800 | SHAFT            |        | 1    |     |
| 503 21 98-25 | 503219825 | SCREW            |        | 1    |     |
| 537 07 68-03 | 537076803 | HANDLE           |        | 1    |     |
| 530 03 85-99 | 530038599 | BRACKET          |        | 1    |     |
| 503 22 26-01 | 503222601 | NUT              |        | 1    |     |
| 537 21 45-01 | 537214501 | DRIVE SHAFT      |        | 1    |     |
| 735 31 12-00 | 735311200 | CIRCLIP          |        | 1    |     |
| 537 23 75-01 | 537237501 | CLUTCH DRUM ASSY |        | 1    |     |
| 537 07 37-01 | 537073701 | SPACING TUBE     |        | 1    |     |
| 503 21 98-35 | 503219835 | SCREW            |        | 1    |     |

# H 323L, R

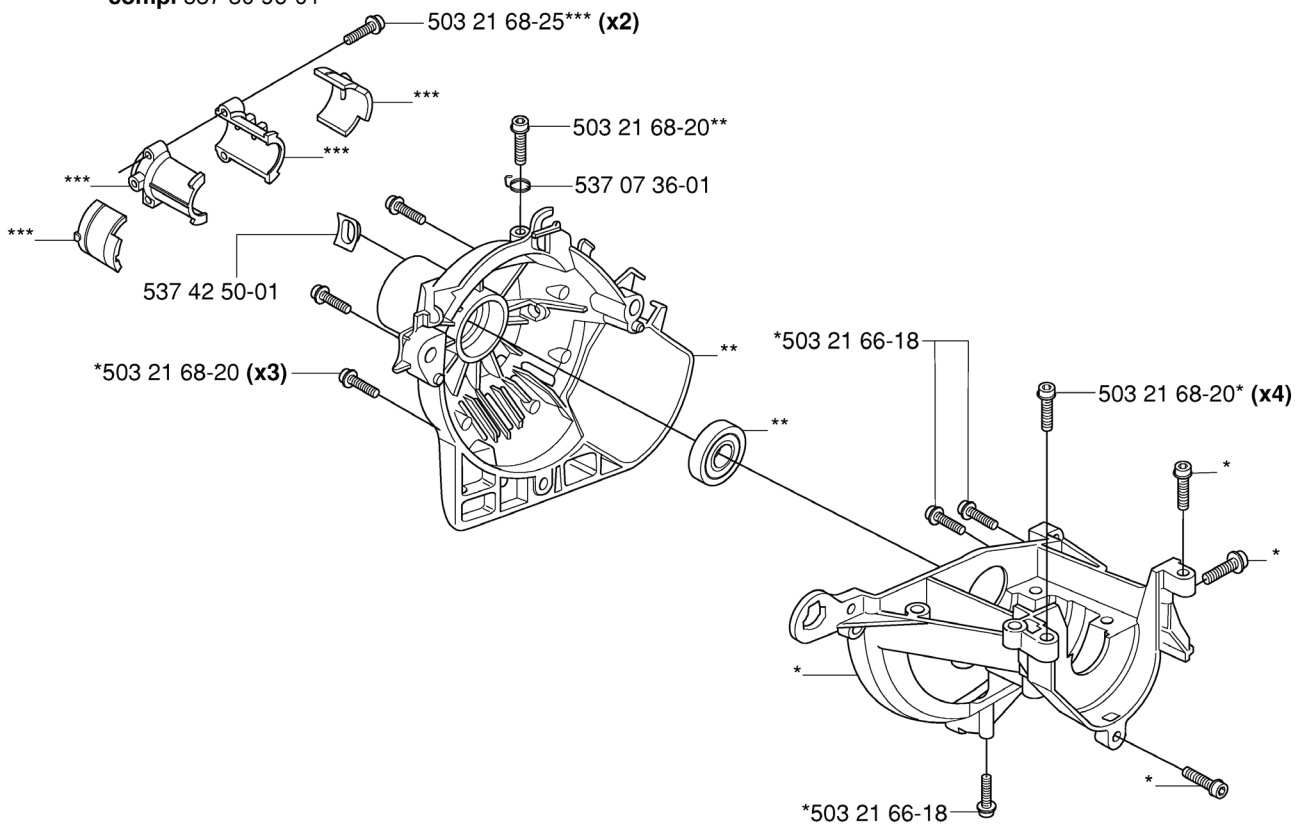


---

| REF.         | PART NO.  | DESCRIPTION    | REMARK | QTY. | KIT |
|--------------|-----------|----------------|--------|------|-----|
| 537 35 33-14 | 537353314 | LABEL          | 323L   | 1    |     |
| 537 35 33-16 | 537353316 | LABEL          | 323R   | 1    |     |
| 503 97 21-01 | 503972101 | COVER          | R      | 1    |     |
| 503 96 13-01 | 503961301 | SCREW          | R      | 2    |     |
| 503 87 18-02 | 503871802 | CYLINDER COVER |        | 1    |     |
| 537 32 08-01 | 537320801 | HEAT PROTECTOR |        | 1    |     |
| 503 21 68-20 | 503216820 | SCREW IHSCFT   |        | 3    |     |
| 537 10 44-01 | 537104401 | ARM PROTECTION |        | 1    |     |
| 503 21 35-12 | 503213512 | SCREW CCRPANT  |        | 2    |     |

**S 323**

\*compl 537 04 11-02  
\*\*compl 537 04 12-03  
\*\*\*compl 537 30 96-01



| REF.         | PART NO.  | DESCRIPTION      | REMARK | QTY. | KIT |
|--------------|-----------|------------------|--------|------|-----|
| 537 08 52-01 | 537085201 | CRANKCASE        | 326    | 1    |     |
| 537 04 12-05 | 537041205 | CLUTCH COVER     |        | 1    |     |
| 537 30 96-01 | 537309601 | SLEEVE           |        | 1    |     |
| 537 04 11-02 | 537041102 | CRANKCASE        |        | 1    |     |
| 537 42 50-01 | 537425001 | PROTECTIVE PLATE |        | 1    |     |
| 537 04 12-03 | 537041203 | CLUTCH COVER     |        | 1    |     |
| 503 21 68-20 | 503216820 | SCREW IHSCFT     |        | 3    |     |
| 503 21 68-25 | 503216825 | SCREW IHSCFT     |        | 2    |     |
| 537 07 36-01 | 537073601 | SPRING           |        | 1    |     |
| 503 21 66-18 | 503216618 | SCREW IHSCFT     |        | 1    |     |
| 537 06 68-01 | 537066801 | INSERT CRANKCASE |        | 1    |     |
| 537 06 69-01 | 537066901 | GASKET           |        | 1    |     |
| 537 08 85-01 | 537088501 | GASKET           |        | 1    |     |



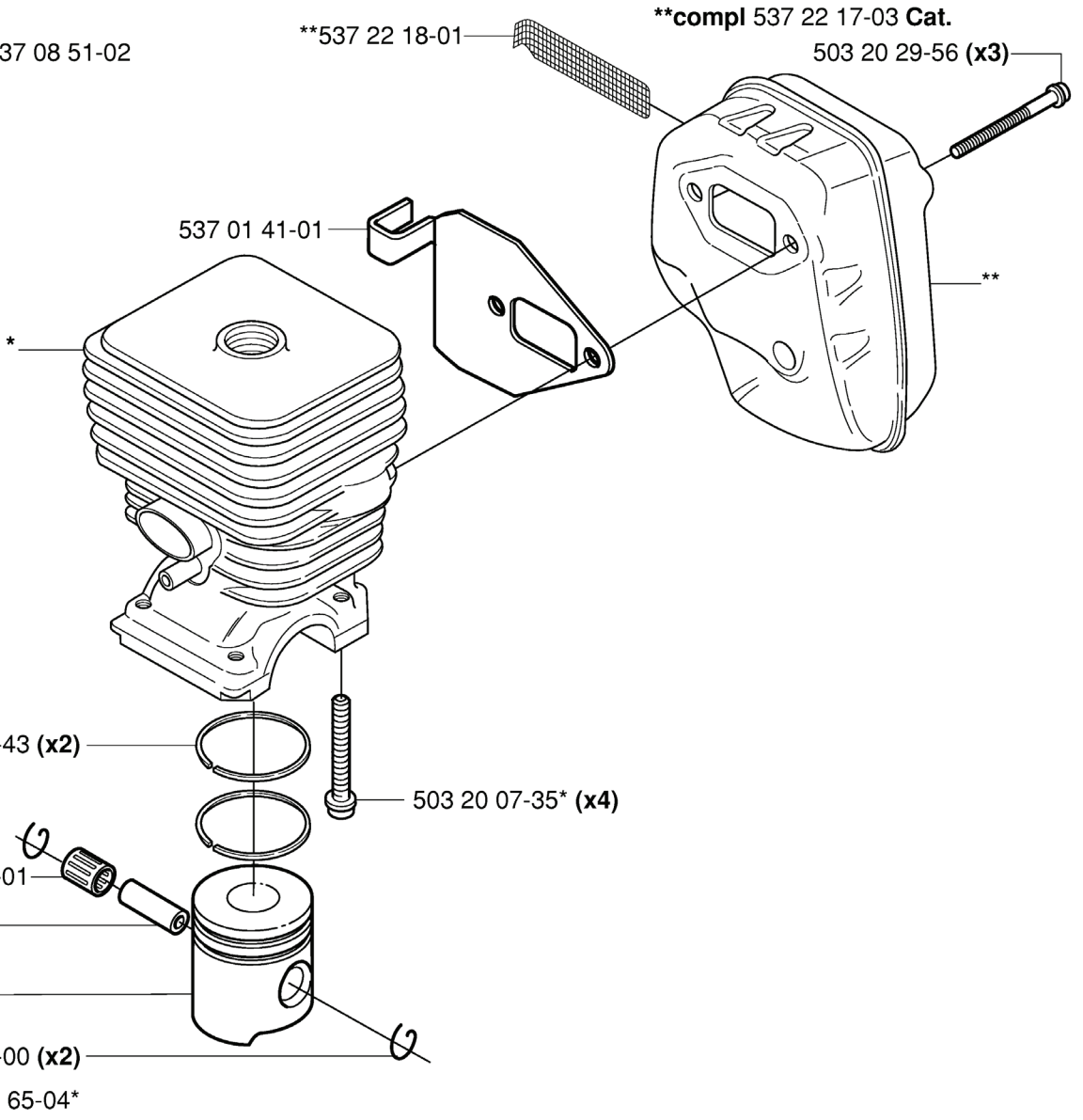
**P** 326  
\*compl 537 08 51-02

\*\*537 22 18-01

\*\*compl 537 22 17-03 Cat.

503 20 29-56 (x3)

537 01 41-01



503 28 90-43 (x2)

503 20 07-35\* (x4)

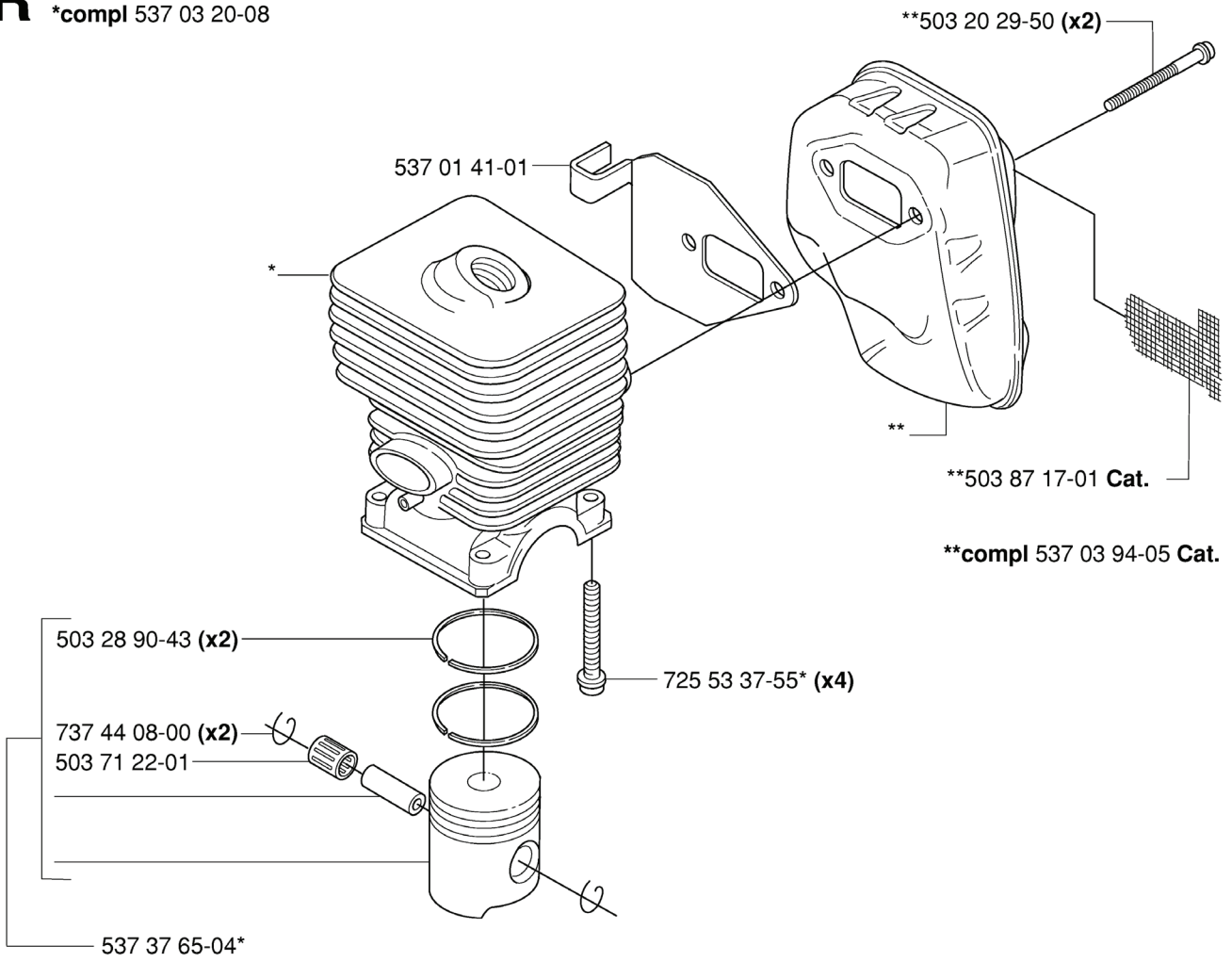
503 71 22-01

737 44 08-00 (x2)

537 37 65-04\*

| REF.         | PART NO.  | DESCRIPTION           | REMARK | QTY. | KIT |
|--------------|-----------|-----------------------|--------|------|-----|
| 503 20 07-35 | 503200735 | SCREW IHSCFM          |        | 1    |     |
| 503 20 29-56 | 503202956 | SCREW IHSCFM          |        | 1    |     |
| 537 03 20-08 | 537032008 | CYLINDER              | 323    | 1    |     |
| 503 28 90-43 | 503289043 | PISTON RING           |        | 2    |     |
| 737 44 08-00 | 737440800 | CIRCLIP               |        | 2    |     |
| 503 71 22-01 | 503712201 | BEARING               |        | 1    |     |
| 537 37 65-04 | 537376504 | PISTON                |        | 1    |     |
| 537 08 51-02 | 503202956 | SCREW IHSCFM          |        | 1    |     |
| 725 53 37-55 | 725533755 | SCREW IHSCM           |        | 4    |     |
| 537 22 17-03 | 537221703 | MUFFLER ASSY          |        | 1    |     |
| 537 01 41-01 | 537014101 | GASKET                |        | 1    |     |
| 537 22 18-01 | 537221801 | SPARK ARRESTER SCREEN |        | 1    |     |
| 503 20 29-50 | 503202950 | SCREW IHSCFM          |        | 2    |     |
| 503 87 17-01 | 503871701 | SPARK ARRESTER SCREEN | CAT.   | 1    |     |
| 537 03 94-05 | 537039405 | MUFFLER ASSY          | CAT.   | 1    |     |

**R** 323  
\*compl 537 03 20-08



| REF.         | PART NO.  | DESCRIPTION           | REMARK | QTY. | KIT |
|--------------|-----------|-----------------------|--------|------|-----|
| 503 20 29-50 | 503202950 | SCREW IHSCFM          |        | 1    |     |
| 537 08 51-02 | 537085102 | PISTON                | 326    | 1    |     |
| 537 01 41-01 | 537014101 | GASKET                |        | 1    |     |
| 503 87 17-01 | 503871701 | SPARK ARRESTER SCREEN |        | 1    |     |
| 503 28 90-43 | 503289043 | PISTON RING           |        | 2    |     |
| 503 71 22-01 | 503712201 | BEARING               |        | 1    |     |
| 737 44 08-00 | 737440800 | CIRCLIP               |        | 2    |     |
| 537 03 20-08 | 537032008 | CYLINDER              |        | 1    |     |
| 537 03 94-05 | 537039405 | MUFFLER ASSY          |        | 1    |     |
| 537 37 65-04 | 537376504 | PISTON                |        | 1    |     |
| 503 20 07-35 | 503200735 | SCREW IHSCFM          |        | 4    |     |
| 537 22 18-01 | 537221801 | SPARK ARRESTER SCREEN |        | 1    |     |
| 725 53 37-55 | 725533755 | SCREW IHSCM           |        | 1    |     |
| 537 22 17-03 | 537221703 | MUFFLER ASSY          | CAT.   | 1    |     |
| 503 20 29-56 | 503202956 | SCREW IHSCFM          |        | 3    |     |