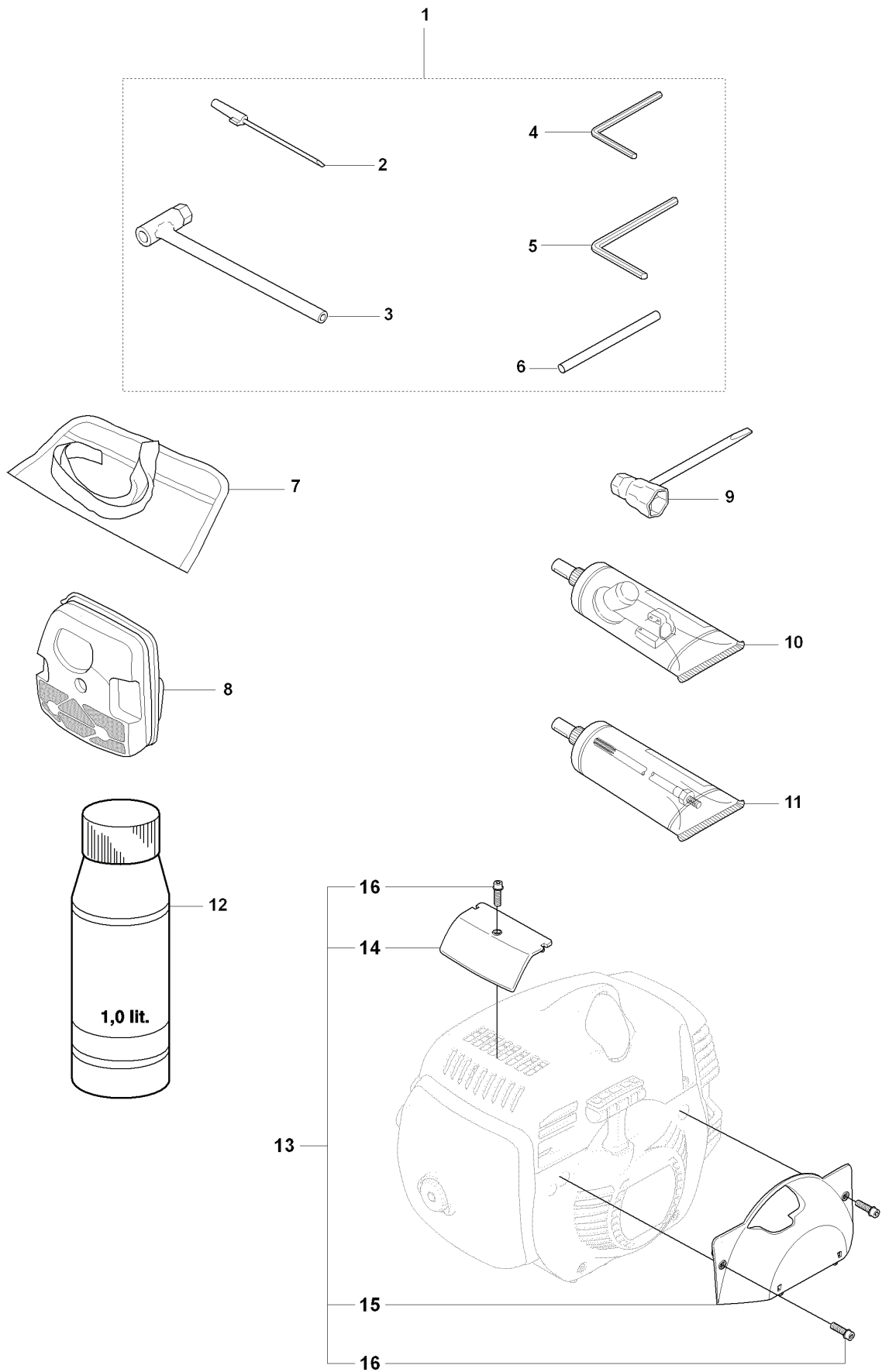


343 F, 20081800001-20103600000

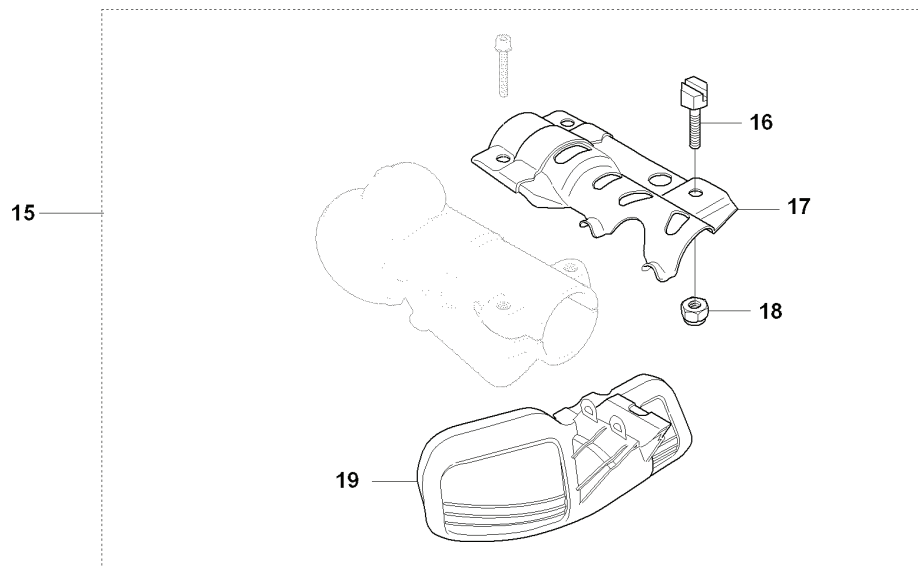
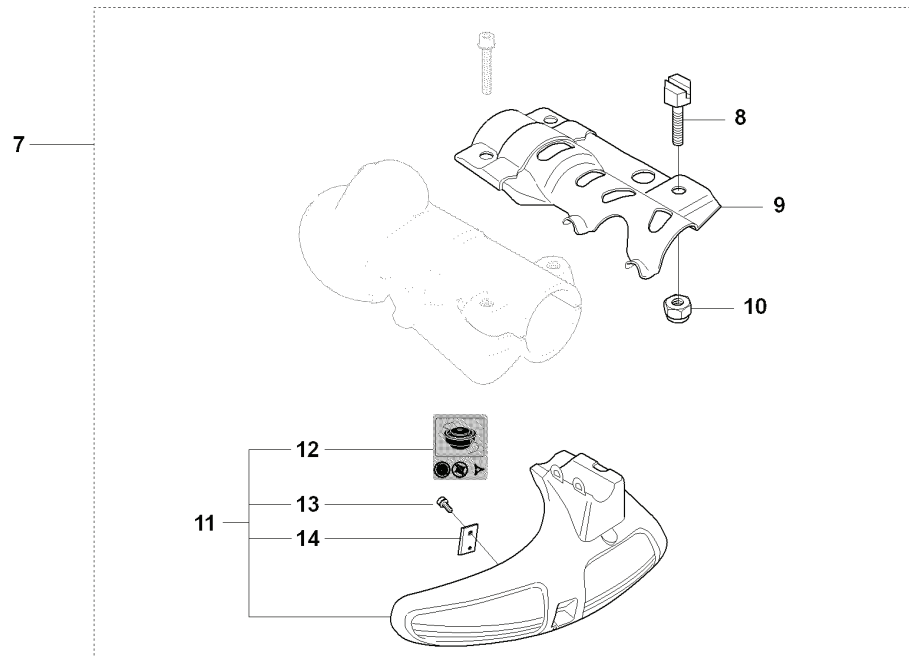
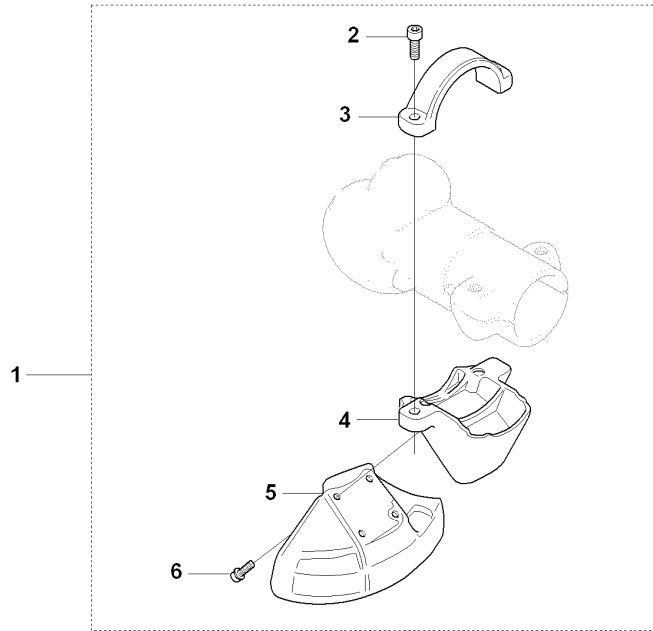
SPARE PARTS LIST

S1 343F, FR, 345FX, FXT, FRM, R, RX
ACCESSORIES



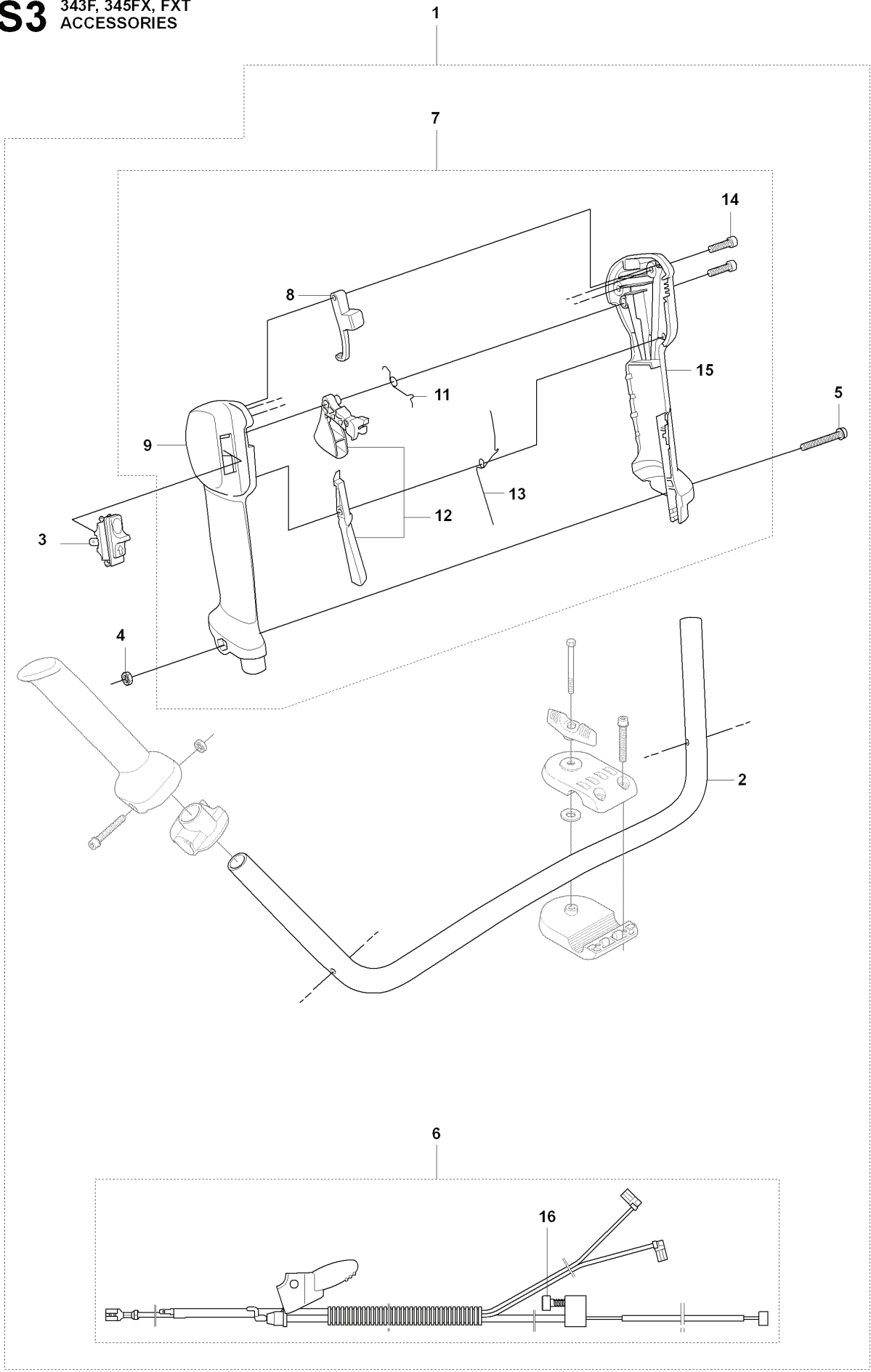
REF.	PART NO.	DESCRIPTION	REMARK	QTY.	KIT
1	502216013	ACCESSORY BAG		1	
2	501600203	SCREWDRIVER		1	1
3	502114603	KEY		1	1
4	502215801	WRENCH		1	1
5	503558602	SPANNER		1	1
6	502285901	STOP		1	1
7	501192201	TOOL		1	
8	537381101	FILTER		1	
8	537381102	FILTER		1	
8	537381103	FILTER		1	
8	537381104	FILTER		1	
9	501691701	COMBINATION WRENCH		1	
10	503976401	GREASE		1	
11	503801701	GREASE		1	
12	531009248	FILTER OIL		1	
13	537238401	WINTER KIT		1	
14	537178701	WINTER COVER		1	13
15	537178801	WINTER COVER		1	13
16	503217010	SCREW CCRPANT		3	13

S4 343F, FR, 345FX, FXT, FRM, R, RX
ACCESSORIES



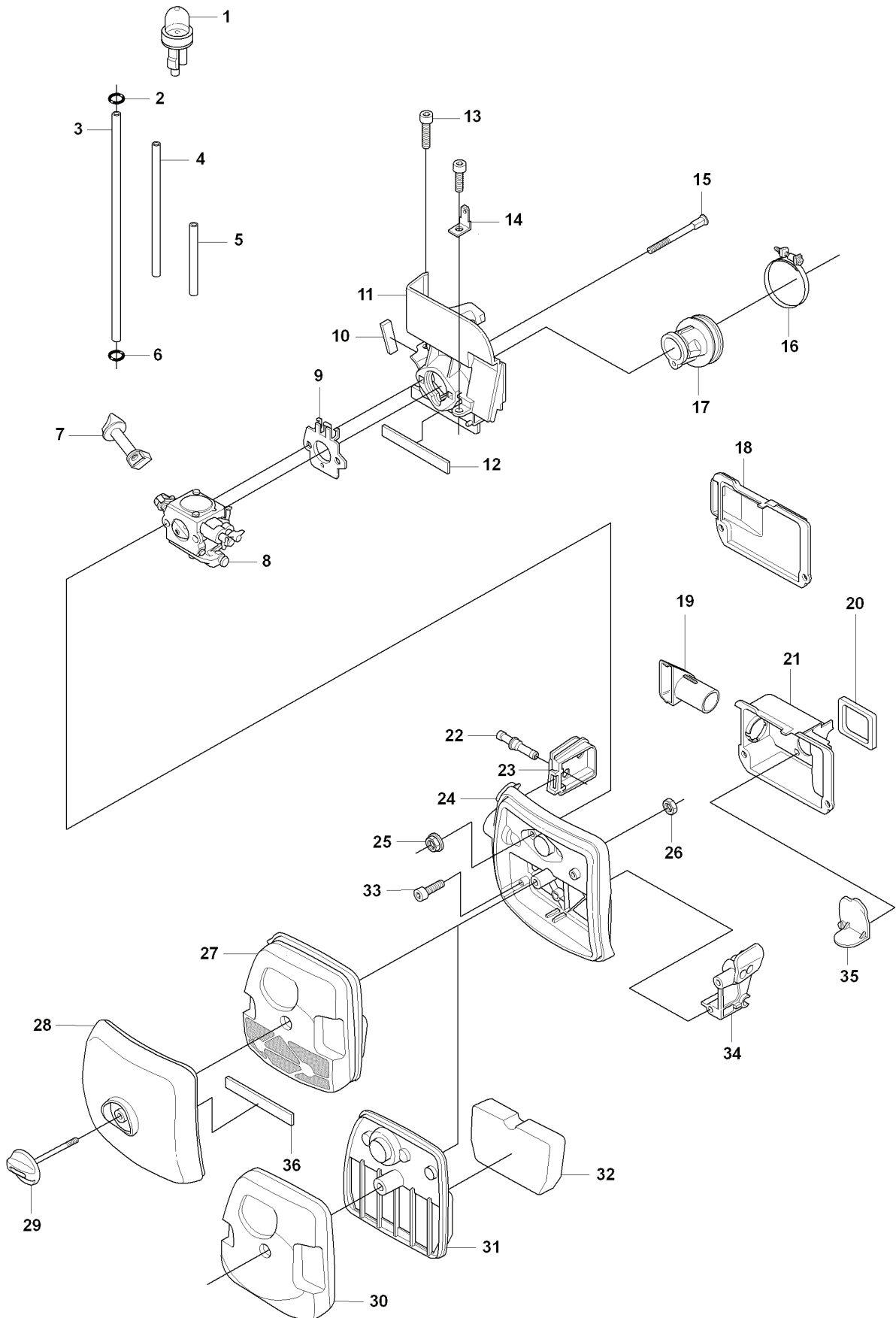
REF.	PART NO.	DESCRIPTION	REMARK	QTY.	KIT
1	537310902	SAW BLADE GUARD		1	
2	503200220	SCREW IHSCFM		2	1
3	504006501	CLAMP		1	1
4	504003301	ADAPTER		1	1
5	537217104	BLADE GUARD		1	1
6	503200316	SCREW IHSCFM		4	1
7	537297301	TRIMMER GUARD ASSY		1	
8	537189501	SCREW		1	7
9	537230301	ATTACHMENT PLATE		1	7
10	732211601	LOCK NUT		1	7
11	503954302	TRIMMER GUARD		1	7
12	503742901	DECAL		1	7
13	503210716	SCREW IHSCCT		1	7
14	537285301	BLADE		1	7
15	537297401	BLADE GUARD		1	
16	537189501	SCREW		1	15
17	537230301	ATTACHMENT PLATE		1	15
18	732211601	LOCK NUT		1	15
19	537288501	BLADE GUARD		1	15

S3 343F, 345FX, FXT
ACCESSORIES



REF.	PART NO.	DESCRIPTION	REMARK	QTY.	KIT
1	510118801	KIT		1	
2	503958603	HANDLEBAR		1	1
3	503419001	CHAIN BRAKE ASSY		1	1
4	503221013	HEXAGON NUT		1	1
5	503200735	SCREW IHSCFM		1	1
6	544977802	WIRING ASSY		1	1
7	504209804	THROTTLE HANDLE ASSY		1	1
8	537160701	THROTTLE LOCKOUT		1	1.7
9	537180711	HANDLE HALF		1	1.7
11	537174201	SPRING THROTTLE TRIG		1	1.7
12	506497701	THROTTLE CONTROL		1	1.7
13	537174301	SPRING		1	1.7
14	503216618	SCREW IHSCCT		2	1.7
15	537180811	HANDLE HALF		1	1.7
16	503216616	SCREW IHSCCT		1	1.6.7

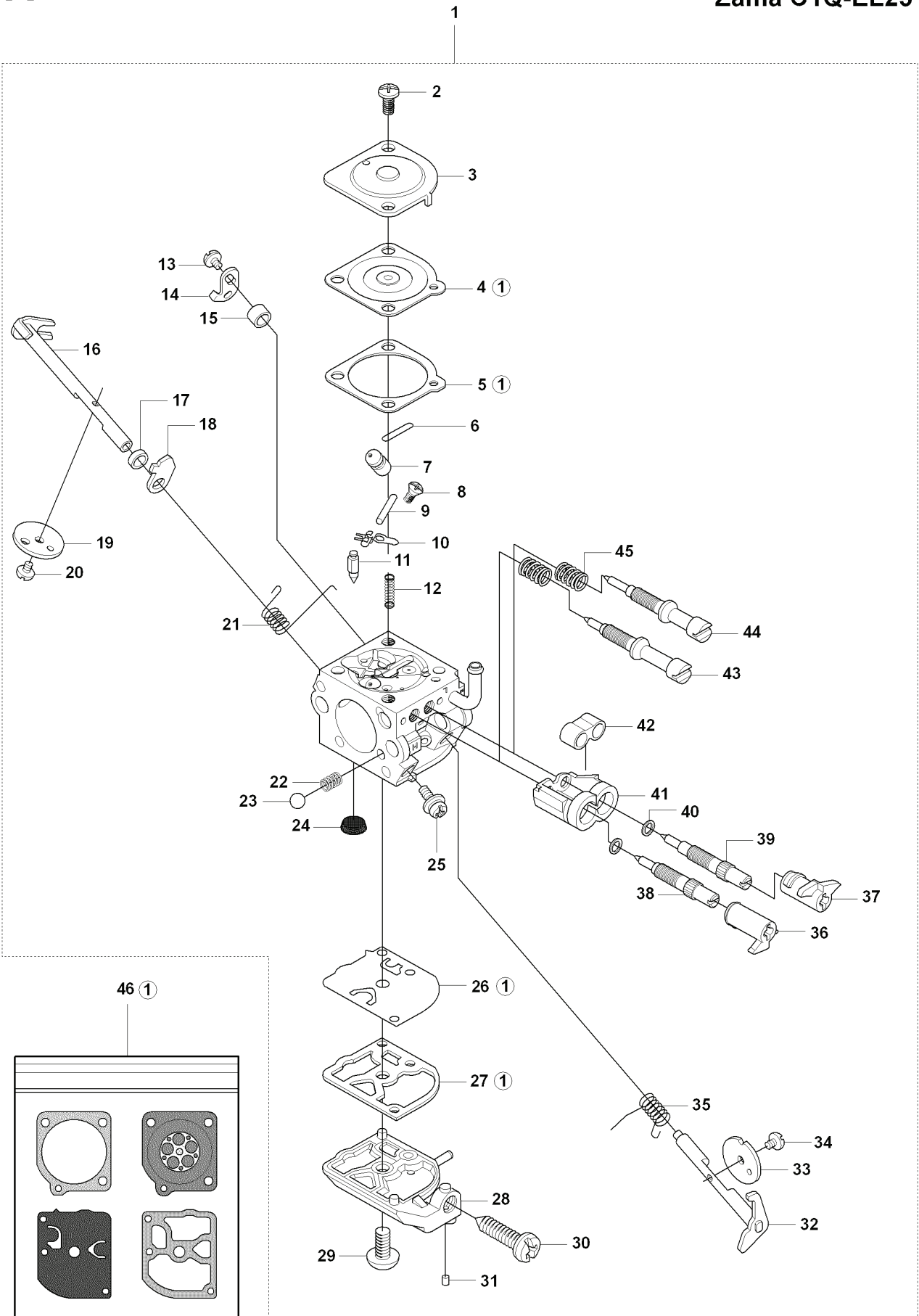
J 343F, FR, 345FX, FXT, FRM, R, RX
AIRFILTER HOLDER



REF.	PART NO.	DESCRIPTION	REMARK	QTY.	KIT
1	503936601	PURGE		1	
2	537184901	O-RING		1	
3	544324923	FUEL HOSE		1	
4	537042401	FUEL HOSE		1	
5	537052303	FUEL HOSE		1	
6	537184901	O-RING		1	
7	537110001	CHOKE CONTROL		1	
8	503283116	CARBURETTOR		1	
8	503283118	CARBURETTOR		1	
9	537110101	SPACER		1	
10	537229602	MOULDING		1	
11	537300201	INSULATION WALL		1	
12	537229601	MOULDING		1	
13	503200320	SCREW IHSCFM		1	
14	503238802	FLAT PIN		1	
15	544082002	SCREW		2	
16	503560009	HOSE CLAMP		1	
17	503958301	BELLOWS		2	
18	537276101	MUFFLER		1	
19	537141501	AIR INTAKE		1	
20	537309301	SEALING		1	
21	537109902	MUFFLER		1	
22	537284601	NIPPLE		1	
23	537165901	GROMMET		1	
24	503958101	FILTER HOLDER		1	
25	731711451	HEXAGON NUT FLANGE		1	
26	731231405	HEXAGON NUT		1	
27	537381101	FILTER		2	
28	537307602	FILTER COVER ASSY		2	
29	537213212	KNOB		1	
30	503958001	HUB CAP		1	
31	503957901	RETAINER		1	
32	537427101	AIR FILTER		1	
33	503200320	SCREW IHSCFM		1	
34	537141301	CHISEL GUIDE		1	
35	537141401	HUB CAP		2	
36	537229603	MOULDING		1	

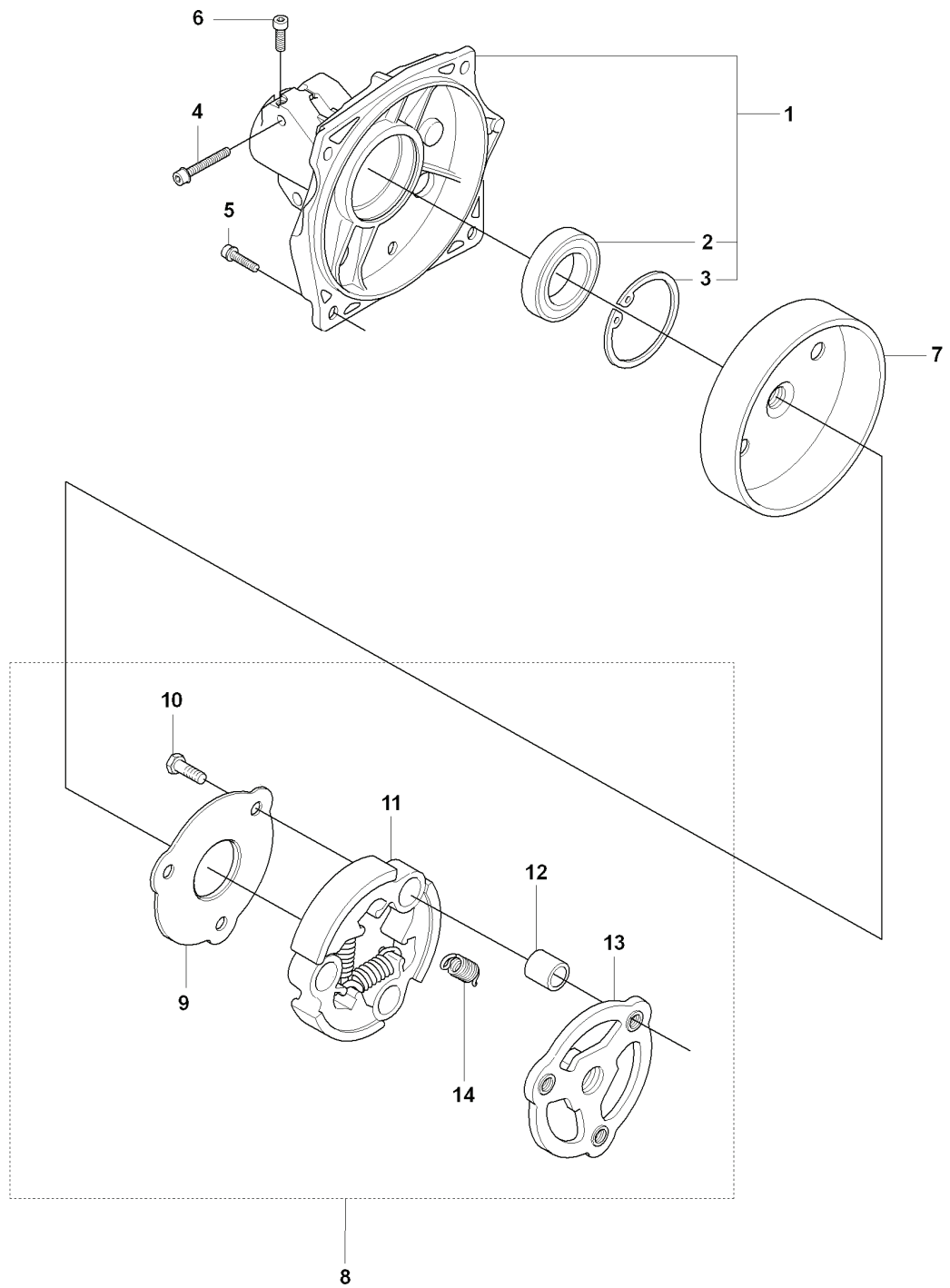
R 343F, FR, 345FX, FXT, FRM, R, RX
CARBURETOR

**Zama C1Q-EL21
Zama C1Q-EL23**



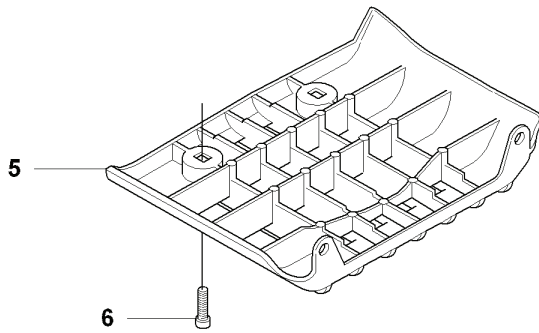
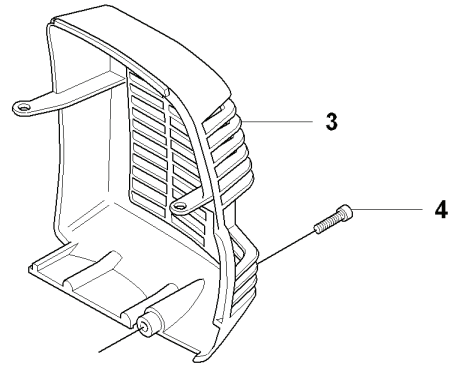
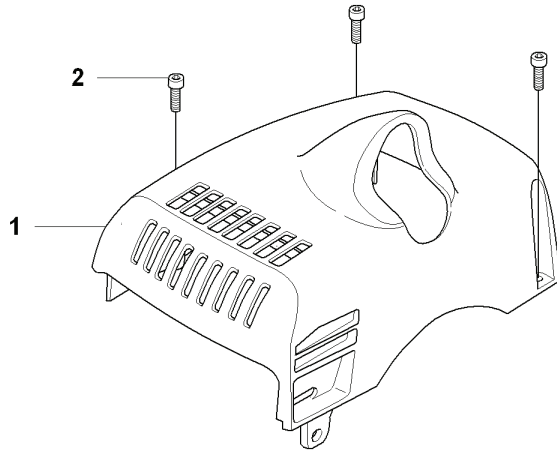
REF.	PART NO.	DESCRIPTION	REMARK	QTY.	KIT
1	503283116	CARBURETTOR		1	
1	503283118	CARBURETTOR		1	
2	503480501	SCREW		2	1
3	503974301	COVER		1	1
4	503480201	DIAPHRAGM		1	1
5	503480301	GASKET		1	1
6	503535601	PLUG WELCH		1	1
7	544114901	NOZZLE ASSY		1	1
8	503480101	SCREW		1	1
9	503480001	PIN RETAINING SCREW		1	1
10	503665901	LEVER		1	1
11	503479701	VALVE		1	1
12	537020301	SPRING		1	1
13	503479001	SCREW		1	1
14	537019801	LEVER		1	1
15	503478901	COLLAR		1	1
16	537020901	SHAFT ASSY		1	1
17	503481901	COLLAR		1	1
18	537049001	LEVER		1	1
19	537021101	VALVE		1	1
20	503481801	SCREW		1	1
21	537021001	SPRING		1	1
22	537012601	SPRING		1	1
23	537012501	BALL		1	1
24	503535701	STRAINER		1	1
25	503755301	SCREW		1	1
26	537020001	DIAPHRAGM PUMP		1	1
27	537020101	GASKET		1	1
28	537020201	COVER		1	1
29	503479601	SCREW		1	1
30	537020701	SCREW		1	1
31	503481101	PIECE		1	1
32	537275401	SHAFT ASSY		1	1
33	537386801	VALVE		1	1
34	503479201	SCREW		1	1
35	537287101	SPRING		1	1
36	503903301	LIMITER CAP		1	1
37	503903201	LIMITER CAP		1	1
38	537275601	SCREW		1	1
39	537275501	SCREW		1	1
40	503974001	WASHER		2	1
41	503903401	RETAINER		1	1
42	537274201	BOOT		1	1
43	537387001	SCREW		1	1
44	537386901	SCREW		1	1
45	503480801	SPRING		2	1
46	537243601	GASKET KIT		1	







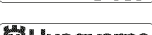
N 343F, FR, 345FX, FXT, FRM, R, RX
CLUTCH



REF.	PART NO.	DESCRIPTION	REMARK	QTY.	KIT
1	503954103	CLUTCH COVER		1	
2	738220219	BALL BEARING		1	1
3	735313310	CIRCLIP		1	1
4	503200230	SCREW IHSCFM		2	
5	503200220	SCREW IHSCFM		4	
6	503202001	SCREW IHSCM		1	
7	544900701	CLUTCH DRUM ASSY		1	
8	503953501	CLUTCH ASSY		1	
9	537135301	WASHER		1	8
10	503201818	SCREW EHHM		3	8
11	503953601	CLUTCH SHOE		3	8
12	537135401	BEARING BUSH		3	8
13	503953701	CLUTCH HUB		1	8
14	505435301	CLUTCH SPRING		3	8

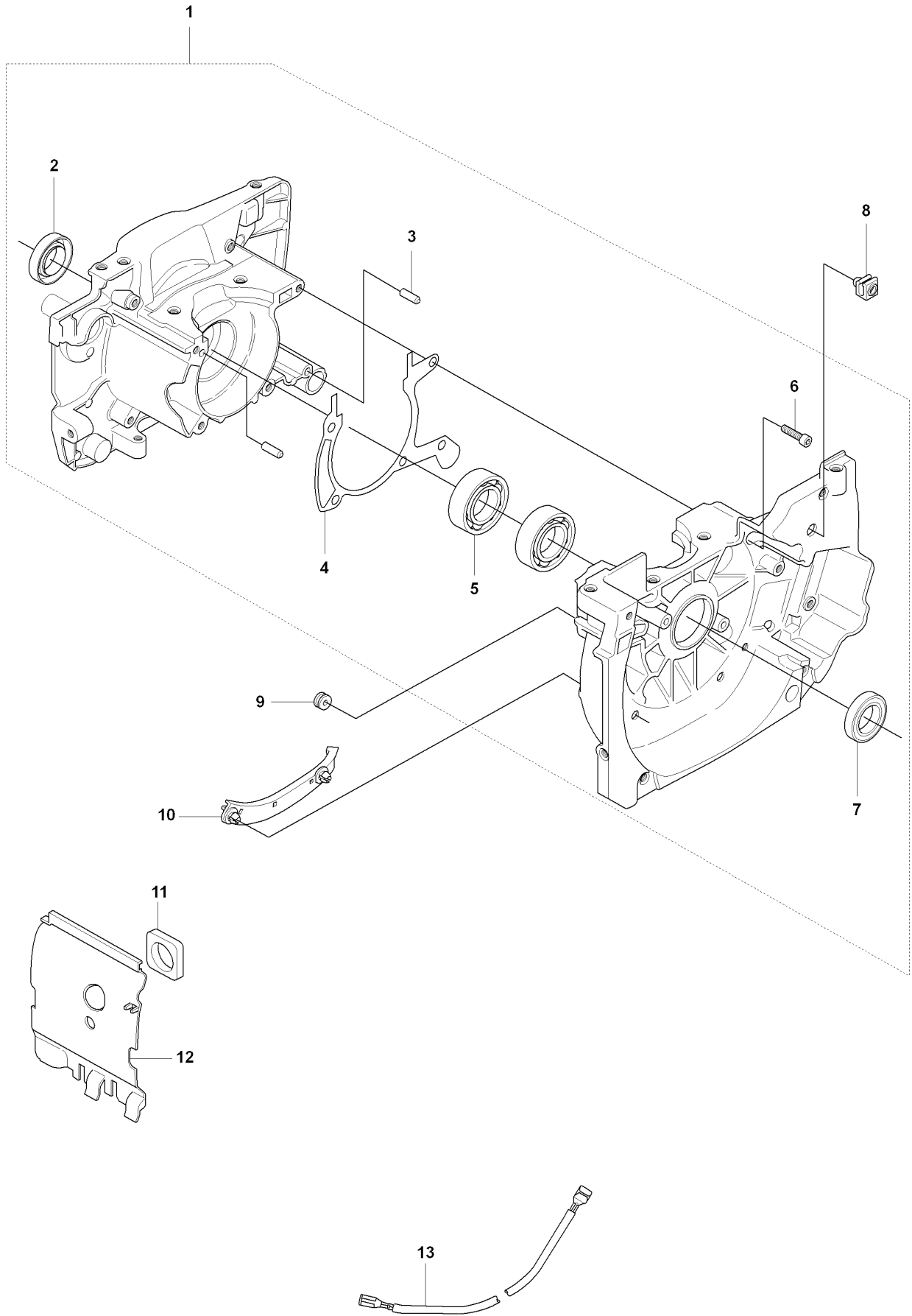
G 343F, FR, 345FX, FXT, FRM, R, RX
COVERS



- 13 —  **343FRM**
- 12 —  **345FR**
E-tech X-Series
- 11 —  **345R**
E-tech X-Series
- 10 —  **343R**
- 9 —  **345F**
E-tech XT-Series
- 8 —  **345F**
E-tech X-Series
- 7 —  **343F**

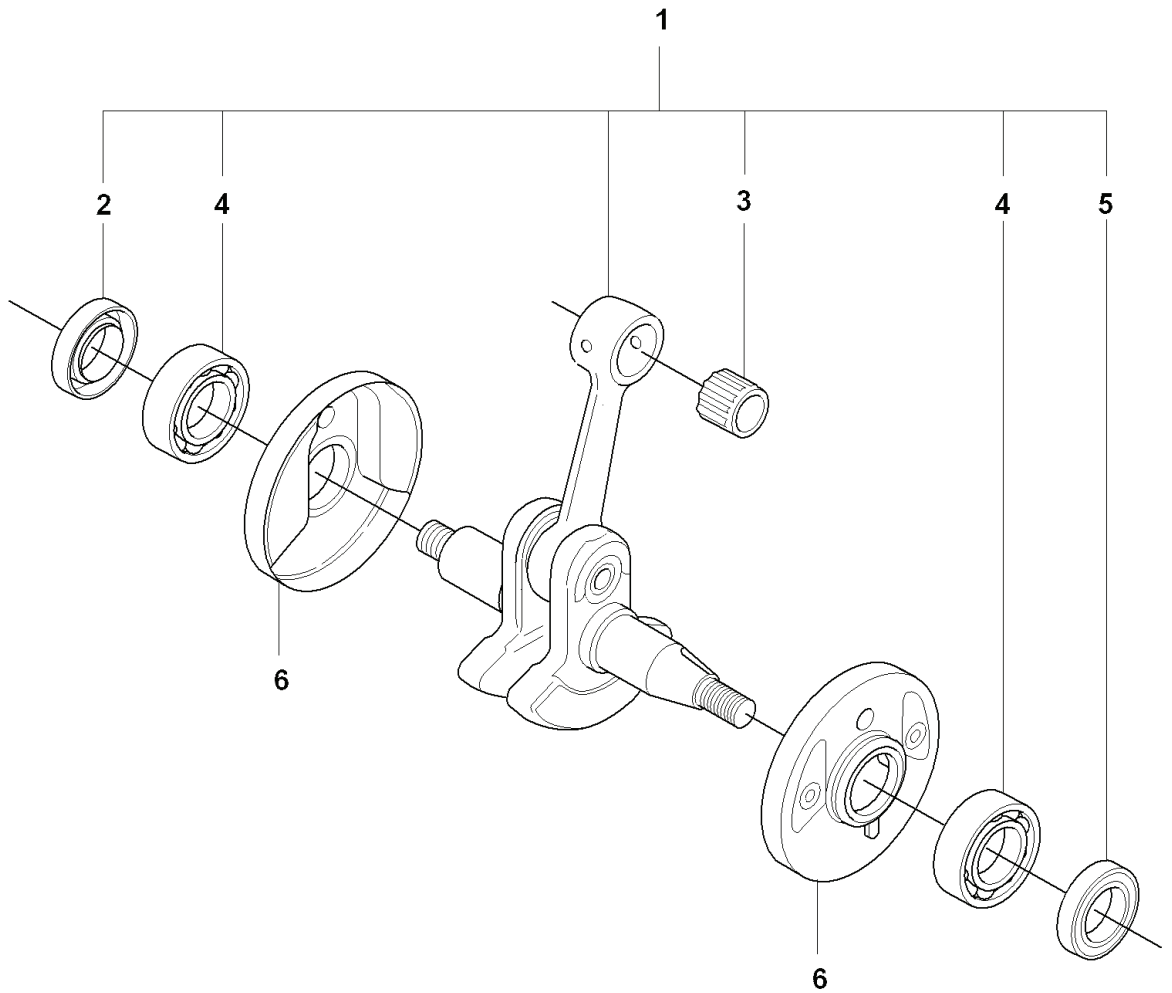
REF.	PART NO.	DESCRIPTION	REMARK	QTY.	KIT
1	503947503	CYLINDER COVER		1	
2	503200302	SCREW IHSCFM		3	
3	503947701	HEAT PROTECTOR		1	
4	503200302	SCREW IHSCFM		1	
5	537166101	PROTECTIVE COVER		1	
6	503200302	SCREW IHSCFM		2	
7	537356801	LABEL		1	
8	537356802	LABEL		1	
9	537356803	LABEL		1	
10	537356804	LABEL		1	
11	537356805	LABEL		1	
12	537356807	LABEL		1	

Q 343F, FR, 345FX, FXT, FRM, R, RX
CRANK CASE



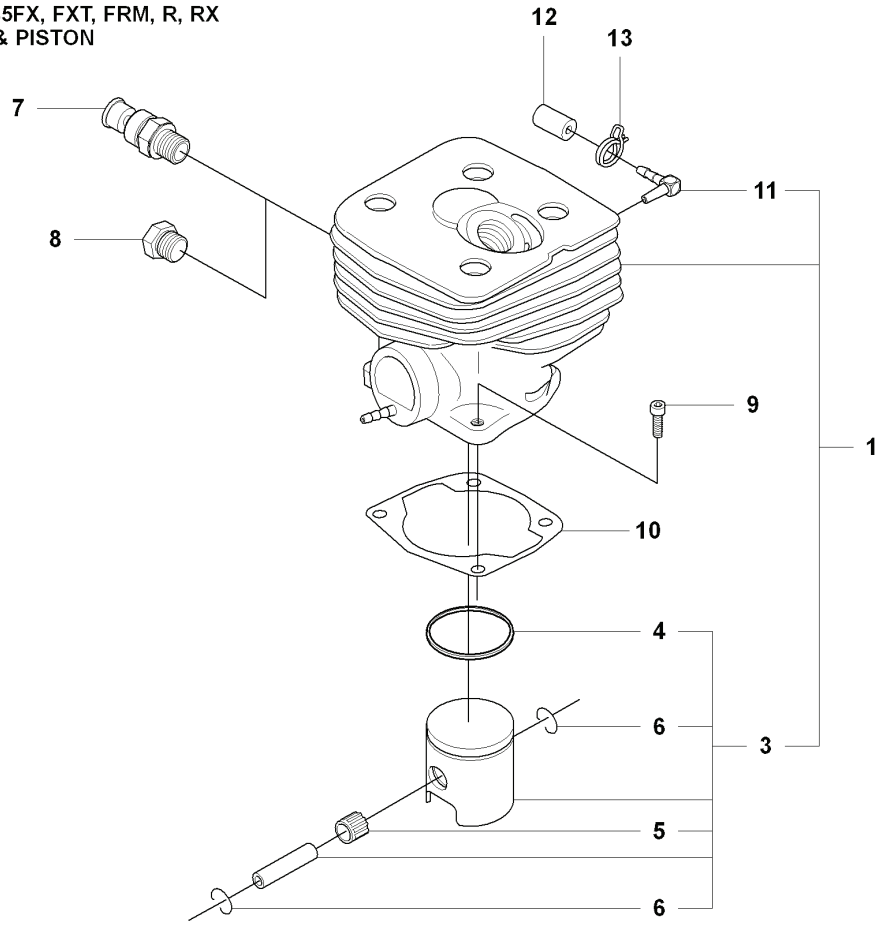
REF.	PART NO.	DESCRIPTION	REMARK	QTY.	KIT
1	537230401	CRANKCASE		1	
2	503260204	SEALING RING		1	1
3	720130710	PARALLEL PIN		2	1
4	503948001	GASKET		1	1
5	738220225	BALL BEARING		2	1
6	725533155	SCREW IHSCM		4	1
7	505275719	SEALING RING		1	1
8	502089601	CABLE HOLDER		1	
9	503735801	BUSHING		1	
10	537280501	CABLE HOLDER		1	
11	537309401	SEALING		1	
12	537279401	WALL		1	
12	537309901	WALL		1	
13	537391001	SHORT CIRCUIT CABLE		1	

P 343F, FR, 345FX, FXT, FRM, R, RX
CRANK SHAFT

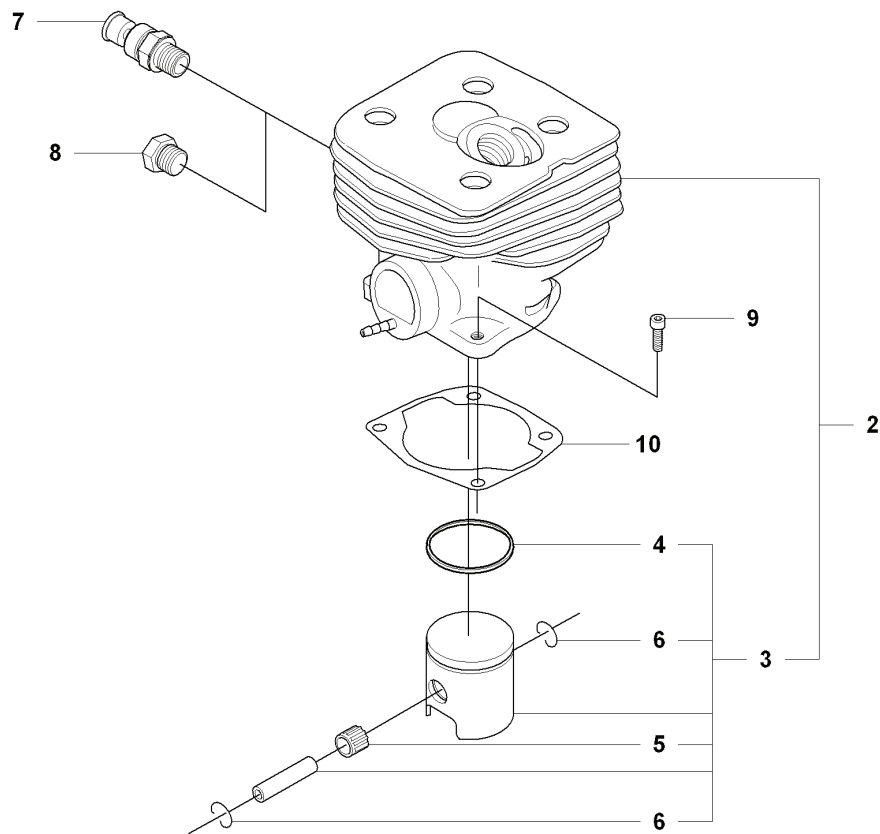


REF.	PART NO.	DESCRIPTION	REMARK	QTY.	KIT
1	537189702	CRANKSHAFT		1	
2	503260204	SEALING RING		1	1
3	501451601	NEEDLE BEARING		1	1
4	738220225	BALL BEARING		2	1
5	505275719	SEALING RING		1	1
6	537158501	CUP		2	

M 343F, FR, 345FX, FXT, FRM, R, RX
CYLINDER & PISTON



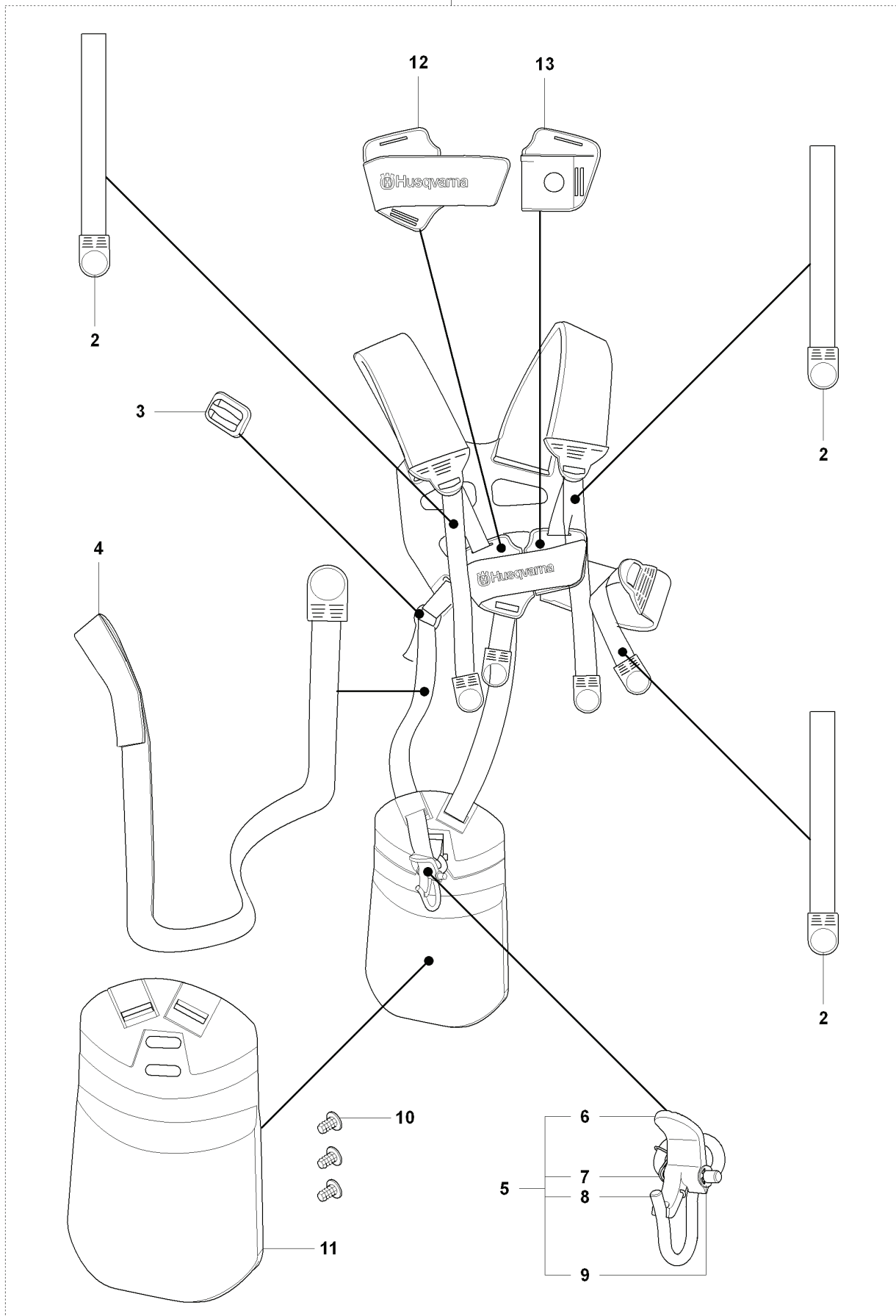
M



REF.	PART NO.	DESCRIPTION	REMARK	QTY.	KIT
1	503956402	CYLINDER ASSY		1	
2	503956306	CYLINDER ASSY		1	
3	537159402	PISTON ASSY		1	1
3	503907371	PISTON ASSY		1	2
4	503289045	PISTON RING		1	1,3
4	503289005	PISTON RING		1	2,3
5	501451601	NEEDLE BEARING		1	1,2, 3
6	737441000	SNAP RING		2	1,2, 3
7	503665401	DECOMPRESSION VALVE		1	
8	503552201	PLUG		1	
9	725533155	SCREW IHSCM		4	
10	503952701	GASKET		1	
11	504340004	FITTING		1	1
12	537180001	PROTECTIVE CAP		1	
13	537320901	HOSE CLAMP		1	

T2 343F, FR, 345FX, FXT, FRM, R, RX
HARNESS

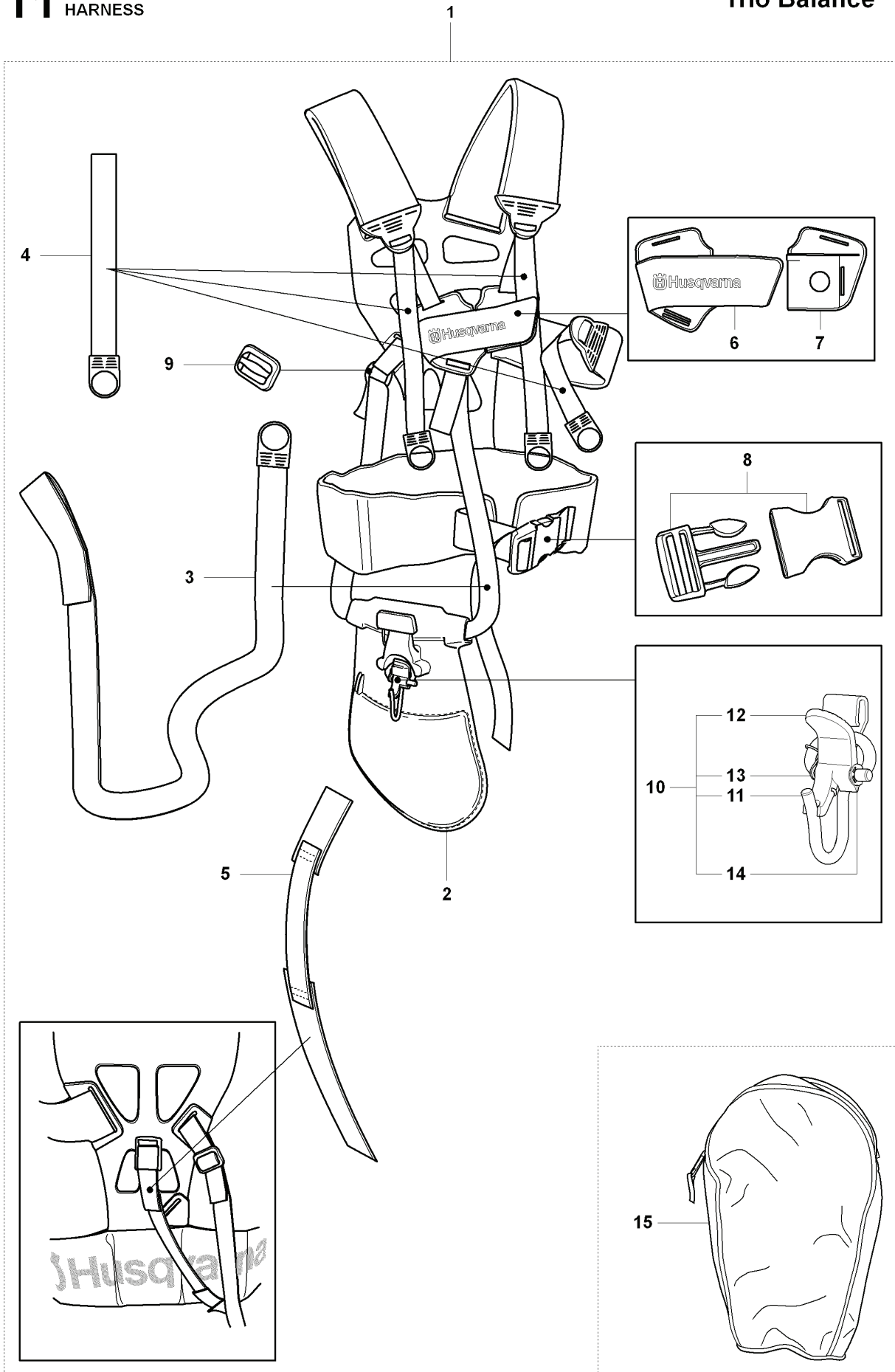
Duo Balance



REF.	PART NO.	DESCRIPTION	REMARK	QTY.	KIT
1	537275701	HARNESS		1	
1	537275703	HARNESS		1	
2	503996101	BAND		3	1
3	537113501	RETAINER		1	1
4	503996103	BAND		1	1
5	502022801	HOOK		1	1
6	502023002	LOCK		1	1.5
7	502023801	SPRING		1	1.5
8	502022902	HOOK		1	1.5
9	735310920	E-CLIP		1	1.5
10	537175401	HIP PAD		3	1
11	537275901	HIP PAD		1	1
12	537288401	BUCKLE		1	1
13	537288301	BUCKLE		1	1

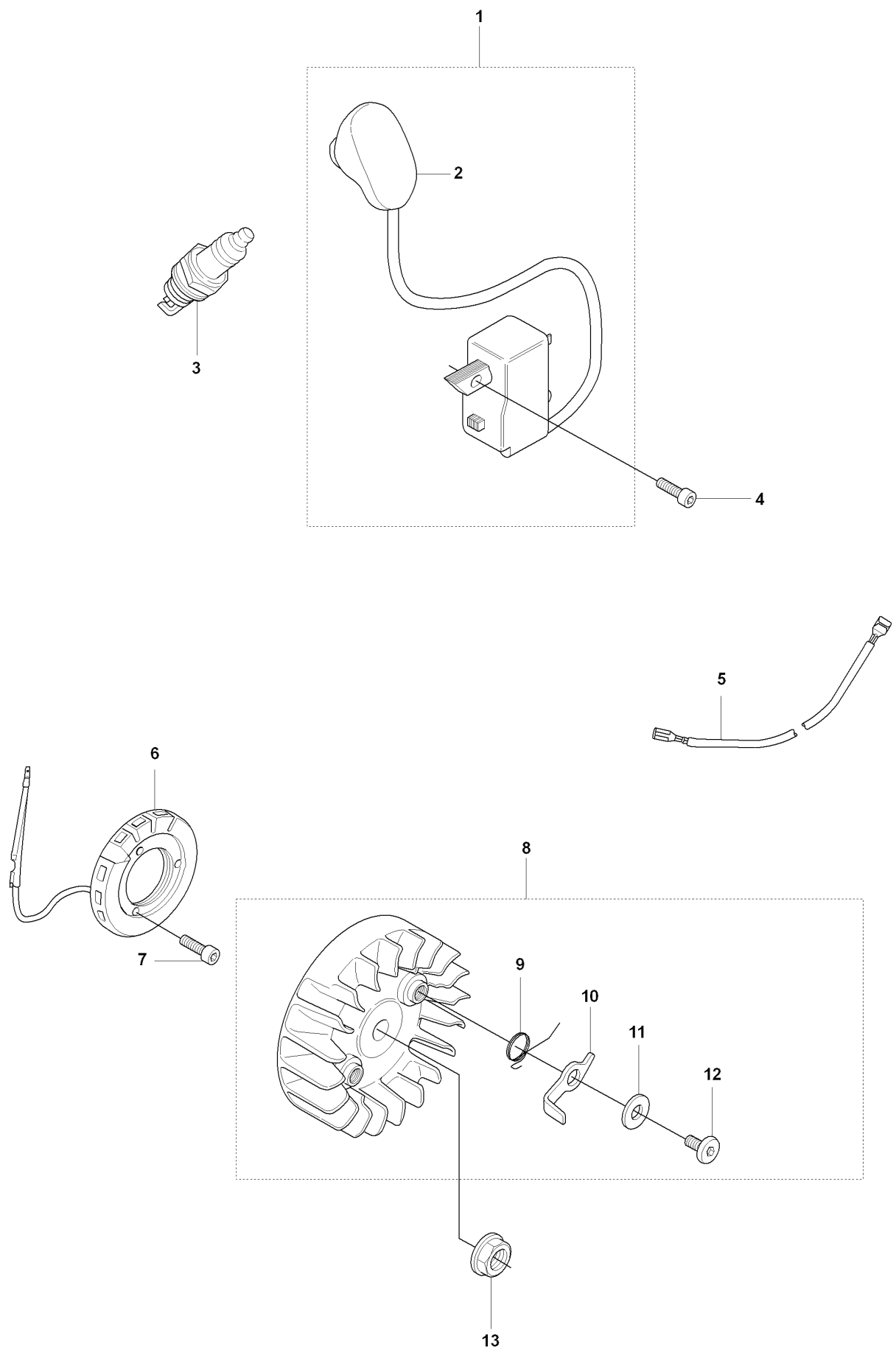
T1 343F, FR, 345FX, FXT, FRM, R, RX
HARNESS

Trio Balance



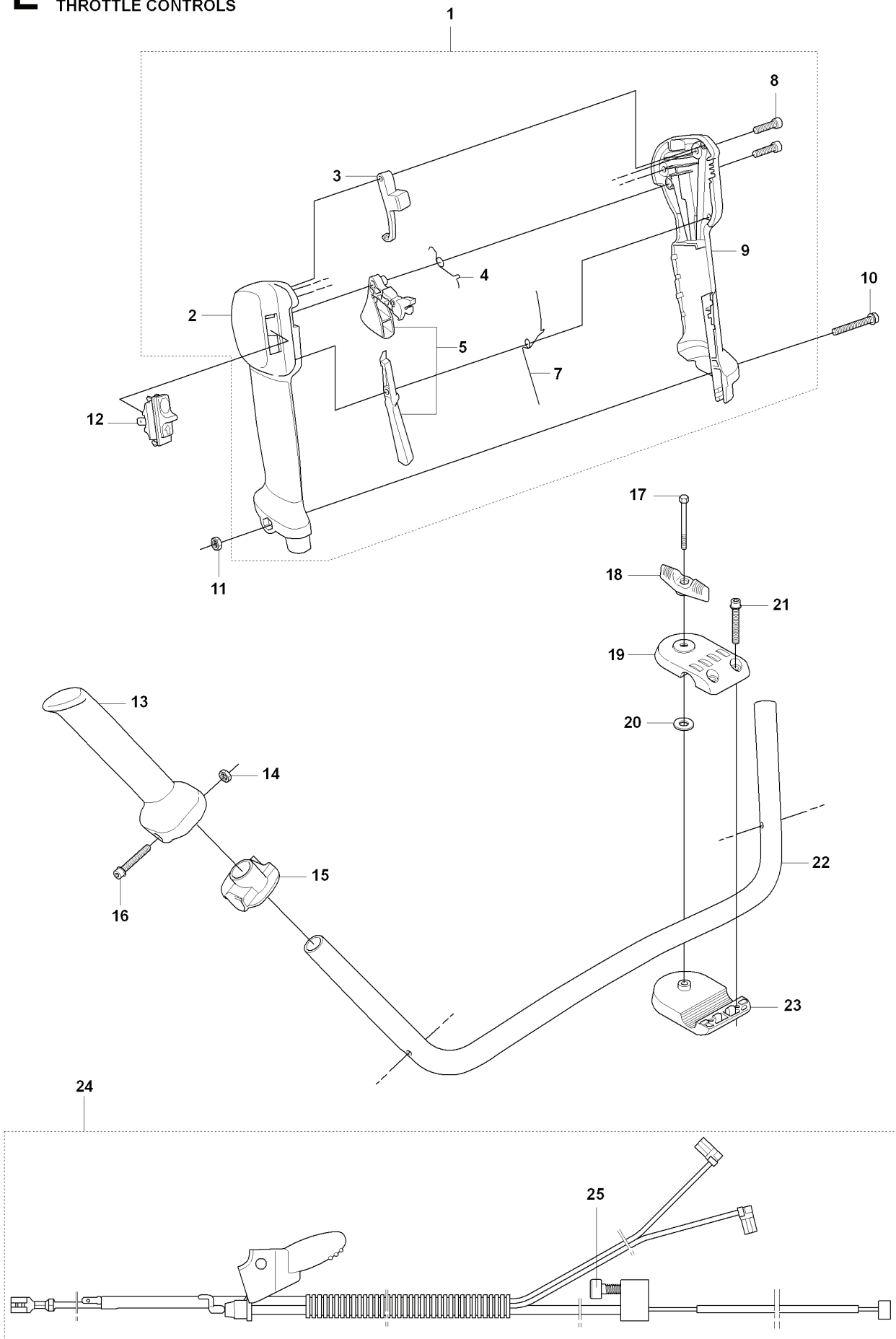
REF.	PART NO.	DESCRIPTION	REMARK	QTY.	KIT
1	504045201	HARNESS		1	
1	505406201	HARNESS		1	1
2	544901701	HIP PAD		1	1
3	503996104	BAND		1	1
4	503996101	BAND		3	1
5	537153501	STRAP		1	1
6	537288401	BUCKLE		1	1
7	537288301	BUCKLE		1	1
8	537331501	BUCKLE		1	1
9	537113501	RETAINER		1	1
10	544960702	WELT HOOK		1	1
11	502022902	HOOK		1	1.10
12	502023002	LOCK		1	1.10
13	502023801	SPRING		1	1.10
14	735310920	E-CLIP		1	1.10
15	537306601	BAG		1	

L 343F, FR, 345FX, FXT, FRM, R, RX
IGNITION



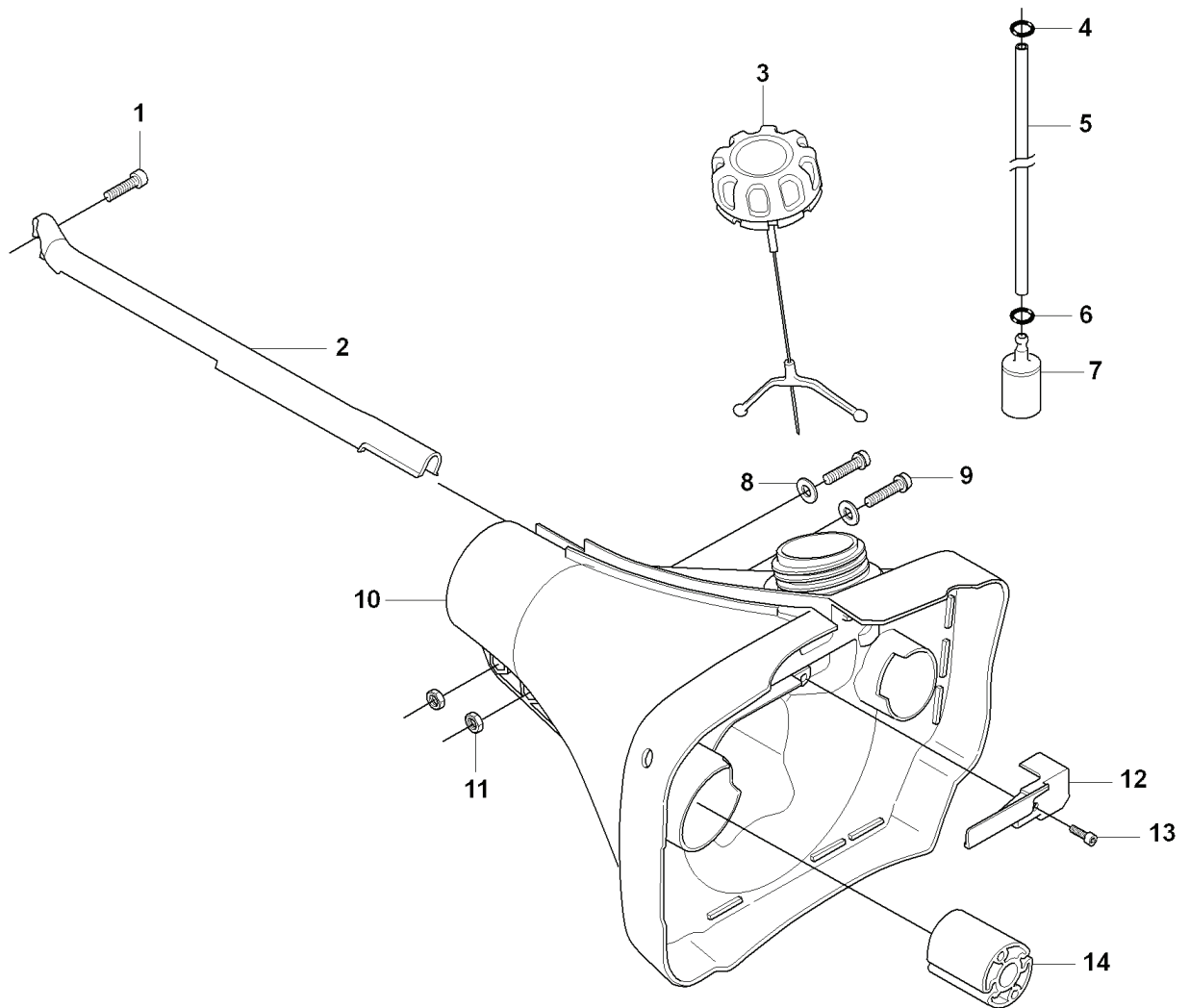
REF.	PART NO.	DESCRIPTION	REMARK	QTY.	KIT
1	501001301	IGNITION MODULE	F, FX, FXT	1	
1	501001302	IGNITION MODULE	FR, R, RX, FRM	1	
2	537237301	SPARK PLUG CAP		1	
3	503235109	SPARK PLUG	CHAMPION RCJ 6Y	1	
4	503202516	SCREW IHSCM		2	
5	537391001	SHORT CIRCUIT CABLE		1	
6	537256301	GENERATOR STATOR	FXT	1	
7	503216618	SCREW IHSCM	FXT	2	
8	503953301	FLYWHEEL	F, FX, R, RX, FR, FRM	1	
8	503953302	FLYWHEEL	FXT	1	
9	503812901	SPRING		2	
10	503812401	STARTER PAWL		2	
11	503230042	WASHER		2	
12	501819903	SCREW		2	
13	503220401	NUT		1	

E 343F, FR, 345FX, FXT, FRM, R, RX
THROTTLE CONTROLS



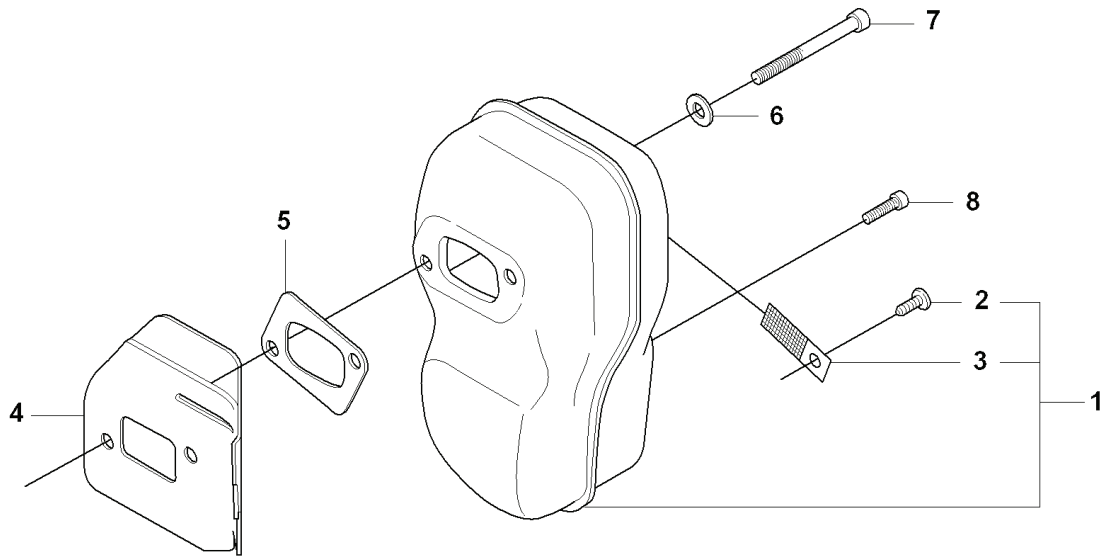
REF.	PART NO.	DESCRIPTION	REMARK	QTY.	KIT
1	504209804	THROTTLE HANDLE ASSY	FR, R, RX, FRM	1	
2	537180711	HANDLE HALF		1	1
3	537160701	THROTTLE LOCKOUT		1	1
4	537174201	SPRING THROTTLE TRIG		1	1
5	506497701	THROTTLE CONTROL		1	1
7	537174301	SPRING		1	1
8	503216618	SCREW IH SCT		2	1
9	537180811	HANDLE HALF		1	1
10	503200735	SCREW IH SCFM		1	
11	503221013	HEXAGON NUT		1	
12	537419001	SWITCH		1	
13	537172803	HANDLE		1	
14	731231405	HEXAGON NUT		1	
15	537172902	BRACKET		1	
16	503200245	SCREW IH SCFM		1	
17	725238285	SCREW EHHM		1	
18	502203801	KNOB		1	
19	537129001	HANDLEBAR BRACKET		1	
20	502282101	WASHER		1	
21	503200225	SCREW IH SCFM		2	
22	505433303	HANDLEBAR		1	
23	537129101	HANDLE BRACKET		1	
24	544977801	WIRING ASSY	R, RX	1	
24	544977802	WIRING ASSY	FR, FRM	1	
25	503216616	SCREW IH SCT		1	24

D 343F, FR, 345FX, FXT, FRM, R, RX
FUEL TANK



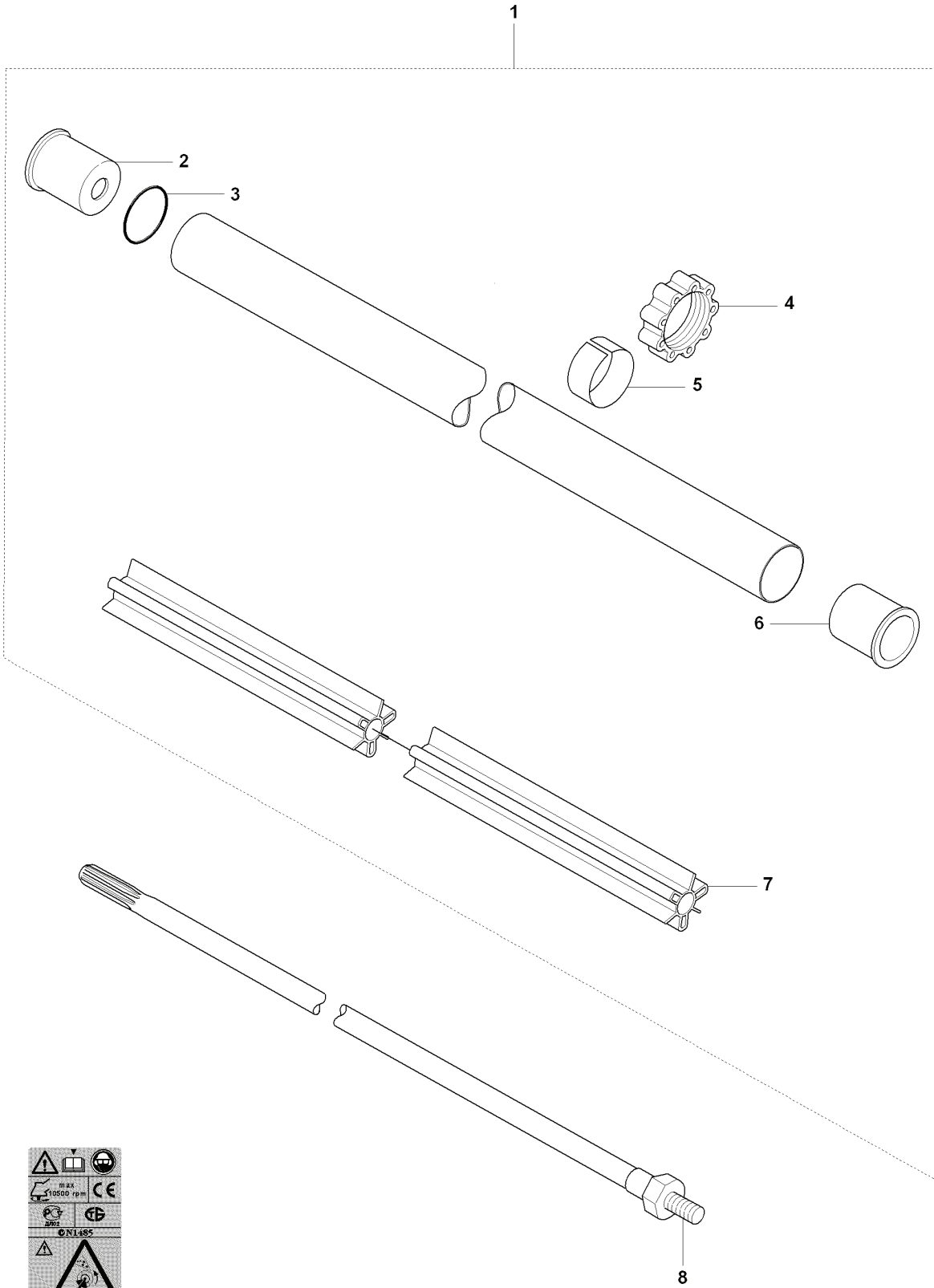
REF.	PART NO.	DESCRIPTION	REMARK	QTY.	KIT
1	503200216	SCREW IHSCFM		1	
2	537172502	COVER	F, FX, FXT, FR, FRM	1	
2	537172501	COVER	R, RX	1	
3	544076902	TANK CAP		1	
4	537184901	O-RING		1	
5	544324933	FUEL HOSE		1	
6	537184901	O-RING		1	
7	503443201	FUEL FILTER		1	
8	503230011	WASHER		2	
9	503200216	SCREW IHSCFM		2	
10	503949301	FUEL TANK		1	
11	503221012	HEXAGON NUT		2	
12	537219901	HOSE GUARD		1	
13	503217116	SCREW IHSCFM		1	
14	510208701	ANTIVIBRATION ELEMENT		2	

H 343F, FR, 345FX, FXT, FRM, R, RX
MUFFLER



REF.	PART NO.	DESCRIPTION	REMARK	QTY.	KIT
1	503949001	MUFFLER ASSY		1	
1	503949002	MUFFLER ASSY		1	
2	724128759	SCREW CRPANM		1	1
3	537270901	SPARK ARRESTER SCREEN		1	1
4	537228501	HEAT DEFLECTOR		1	
5	537198701	GASKET		1	
6	503230402	WASHER		2	
7	503202970	SCREW IHSCFM		2	
4	503200302	SCREW IHSCFM		1	

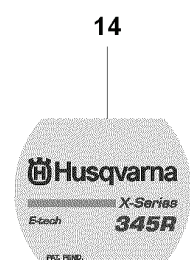
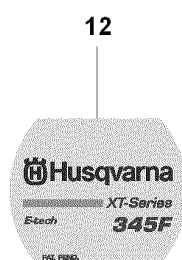
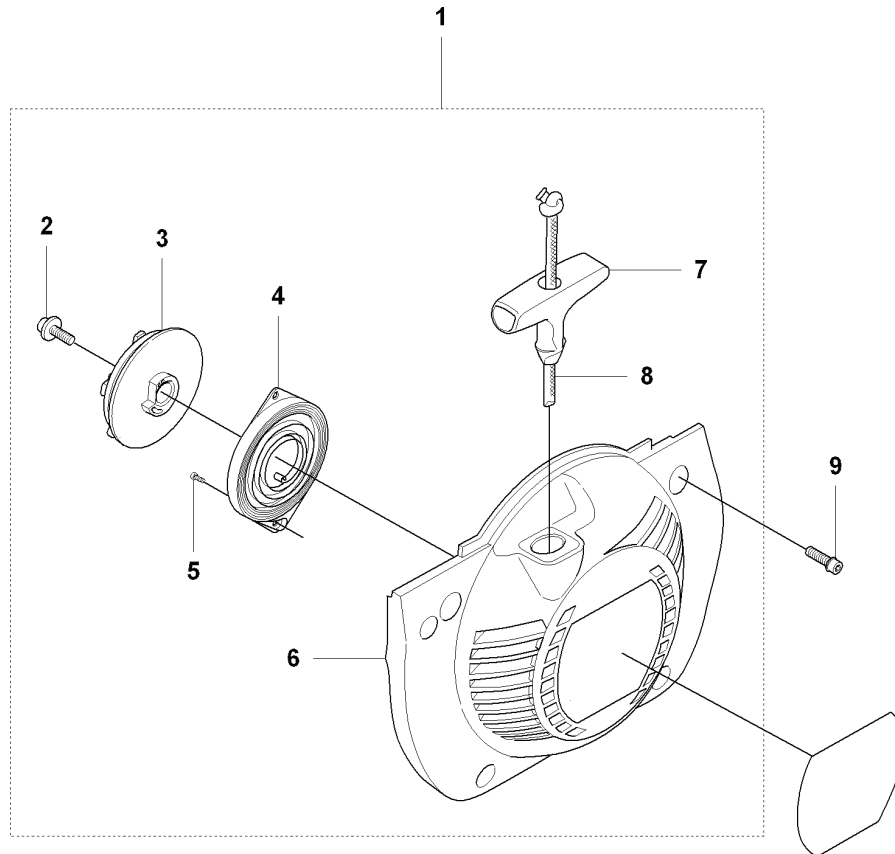
B 343F, FR, 345FX, FXT, FRM, R, RX
SHAFT



9

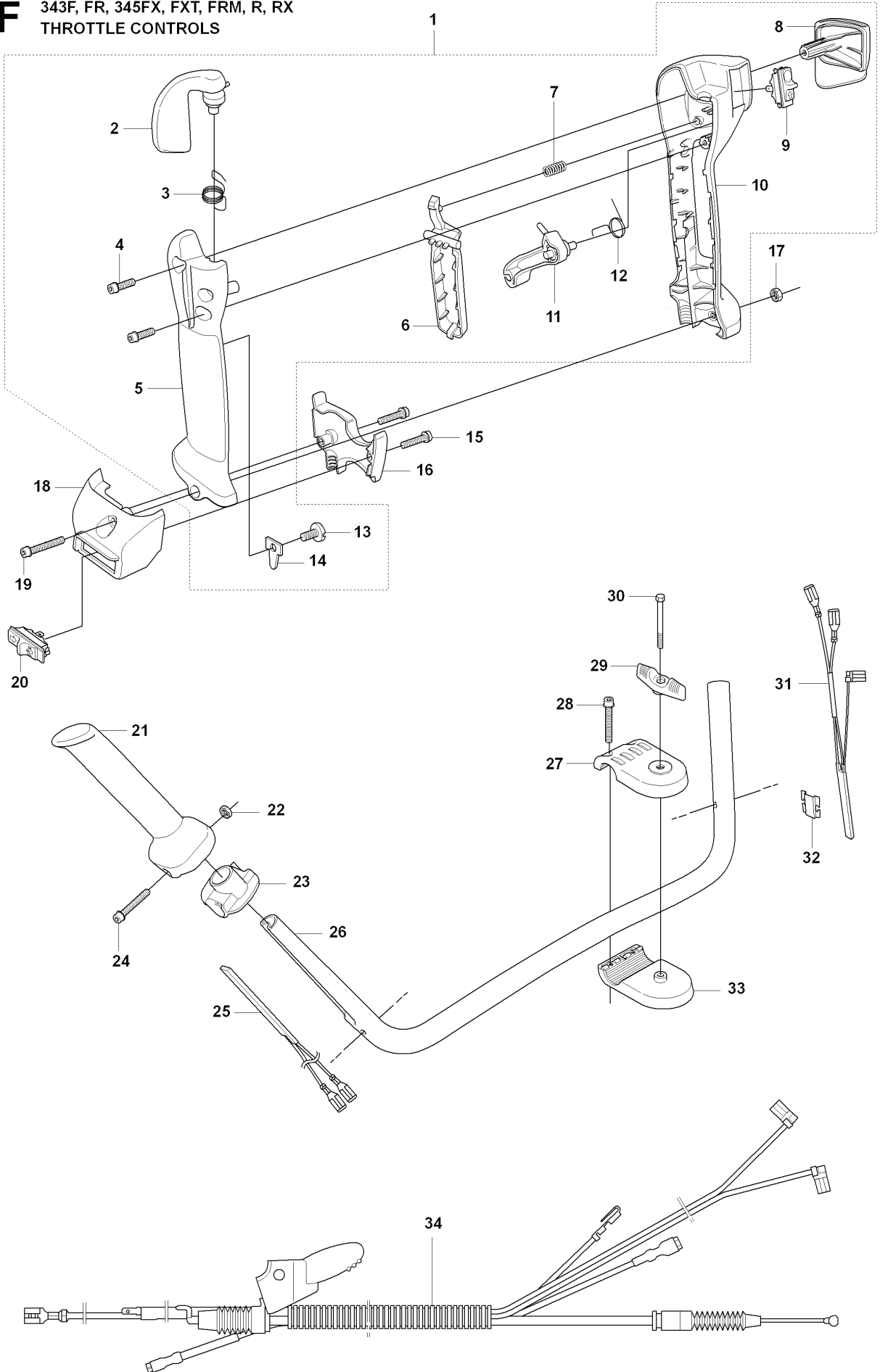
REF.	PART NO.	DESCRIPTION	REMARK	QTY.	KIT
1	537279203	TUBE		1	
1	537279208	TUBE		1	
1	537279210	TUBE		1	
2	544029401	SPACER		1	1
3	506110301	O-RING		1	1
4	537309801	ANTIVIBRATION ELEMENT		1	1
5	537309701	TAPE		1	1
6	544029401	SPACER		1	1
7	537183104	GUIDE		1	1
7	537183105	GUIDE		1	1
8	503955401	DRIVE SHAFT		1	
8	503955402	DRIVE SHAFT		1	
8	503924401	DRIVE SHAFT		1	
8	503924402	DRIVE SHAFT		1	
8	503924403	DRIVE SHAFT		1	
9	537294707	LABEL		1	
9	537294703	LABEL		1	

K 343F, FR, 345FX, FXT, FRM, R, RX
STARTER



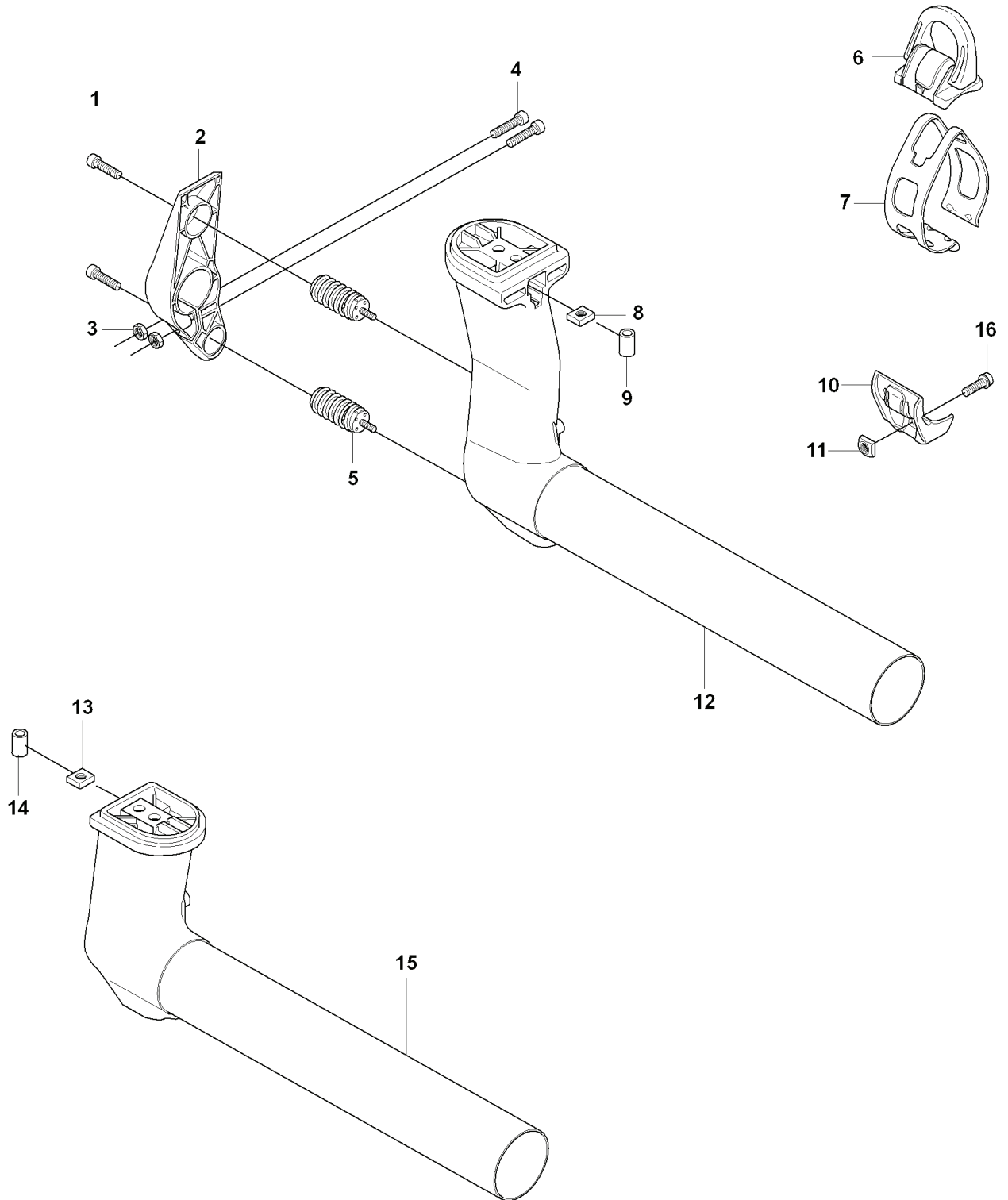
REF.	PART NO.	DESCRIPTION	REMARK	QTY.	KIT
1	503947802	STARTER ASSY		1	
2	503216916	SCREW IHSC		1	1
3	503957301	STARTER PULLEY		1	1
4	502200601	SPRING CASSETTE ASSY		1	1
5	503212906	SCREW CCRPANT		2	1
6	503947901	STARTER HOUSING		1	1
7	503543901	STARTER HANDLE		1	1
8	505305125	STARTER ROPE		1	1
9	503200302	SCREW IHSCFM		4	
10	537355901	LABEL		1	
11	537355902	LABEL		1	
12	537355903	LABEL		1	
13	537355904	LABEL		1	
14	537355905	LABEL		1	
15	537355914	LABEL		1	
16	537355915	LABEL		1	

F 343F, FR, 345FX, FXT, FRM, R, RX
THROTTLE CONTROLS



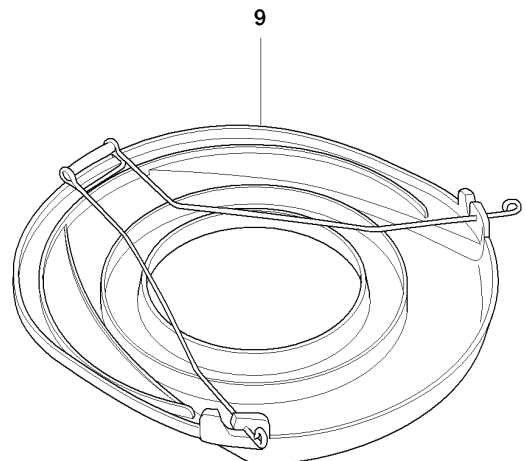
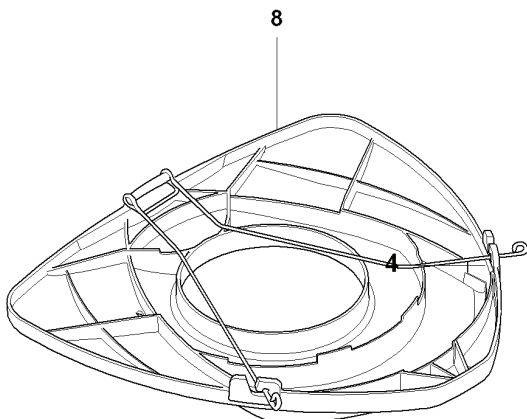
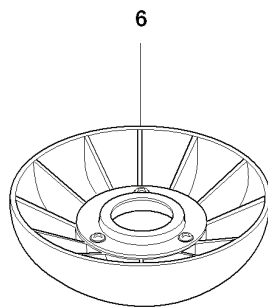
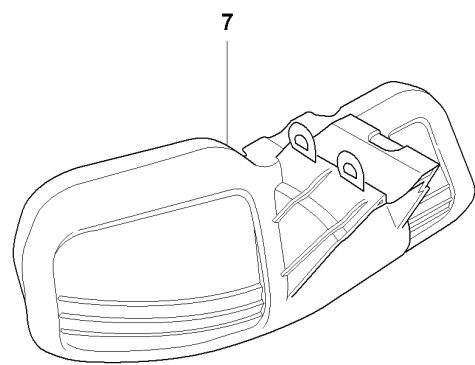
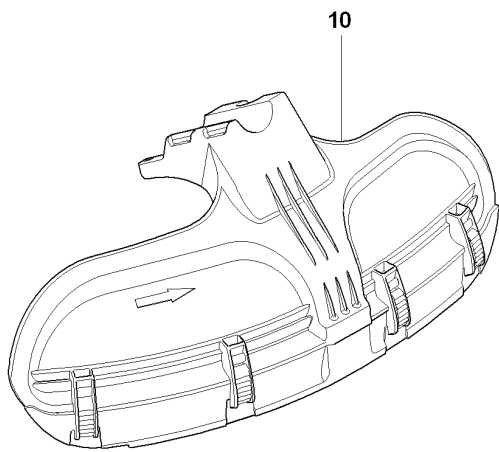
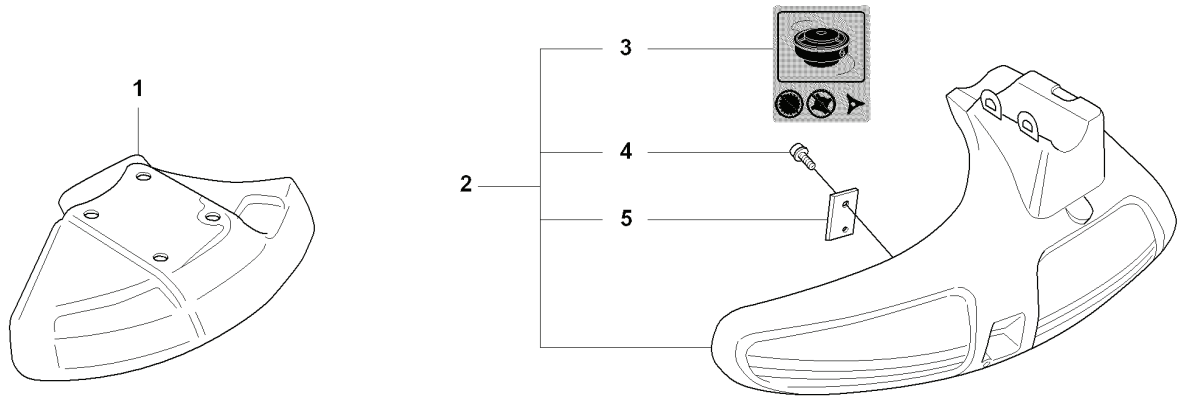
REF.	PART NO.	DESCRIPTION	REMARK	QTY.	KIT
1	537197213	THROTTLE HANDLE		1	
2	537263401	THROTTLE TRIGGER		1	1
3	537283701	SPRING THROTTLE TRIG		1	1
4	503217520	SCREW IHSCFT		2	1
5	537155301	HANDLE HALF		1	1
6	537155601	THROTTLE LOCKOUT		1	1
7	537199701	SPRING		1	1
8	537182401	COVER		1	1
9	537419001	SWITCH		1	
10	537155201	HANDLE HALF		1	1
11	537263501	THROTTLE LEVER		1	1
12	537342701	SPRING		1	1
13	503217010	SCREW CCRPANT		1	1
14	537251101	SECURING PLATE		1	1
15	503217120	SCREW IHSCFT		2	
16	537201601	RETAINER		1	
17	731231405	HEXAGON NUT		1	
18	537201501	RETAINER		1	
19	503200235	SCREW IHSCFM		1	
19	503200245	SCREW IHSCFM		1	
20	503718202	SWITCH		1	
21	537172805	HANDLE		1	
22	731231405	HEXAGON NUT		1	
23	537172902	BRACKET		1	
24	503200245	SCREW IHSCFM		1	
25	537227201	ELEMENT		1	
26	503958601	HANDLEBAR		1	
26	503958602	HANDLEBAR		1	
27	537129001	HANDLEBAR BRACKET		1	
28	503200225	SCREW IHSCFM		2	
29	502203801	KNOB		1	
30	725238285	SCREW EHHM		1	
31	537227101	ELEMENT		1	
32	537265101	SECURING PLATE		2	
33	537129101	HANDLE BRACKET		1	
34	504538602	WIRING ASSY		1	
34	504538601	WIRING ASSY		1	

C 343F, FR 345FX, FXT, FRM, R, RX
SUSPENSION



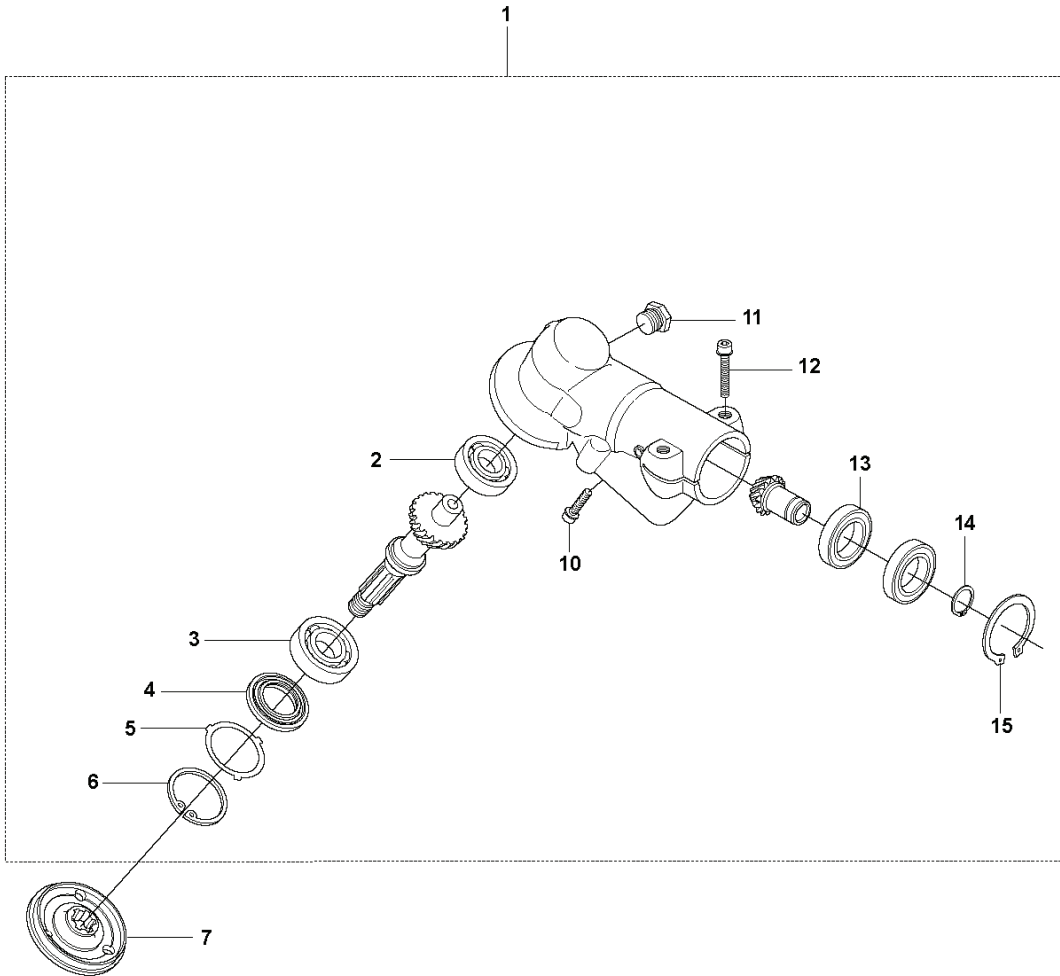
REF.	PART NO.	DESCRIPTION	REMARK	QTY.	KIT
1	503200216	SCREW IHSCFM		2	
2	503955304	HOLDER ANTIVIBRATION		1	
3	503221012	HEXAGON NUT		2	
4	503200225	SCREW IHSCFM		2	
5	537299701	ANTIVIBRATION ELEMENT		2	
6	537201801	LOOP		1	
7	537197901	BAND		1	
8	502197101	SQUARE NUT		1	
9	503857302	COVER		1	
10	537271102	GUIDE RAIL		1	
11	503226501	SQUARE NUT		1	
12	537198905	SUSPENSION		1	
13	502197101	SQUARE NUT		1	
14	503857302	COVER		1	
15	503955906	SUSPENSION		1	
16	503200220	SCREW IHSCFM		1	

S2 343F, FR, 345FX, FXT, FRM, R, RX
ACCESSORIES



REF.	PART NO.	DESCRIPTION	REMARK	QTY.	KIT
1	544016501	SAW BLADE GUARD		1	
1	537217104	BLADE GUARD		1	
2	503954301	TRIMMER GUARD ASSY		1	
3	503742901	DECAL		1	2
4	503210716	SCREW IHSCT		1	2
5	503798801	BLADE		1	2
6	502157002	SUPPORT CUP		1	
7	537288501	BLADE GUARD		1	
8	544359101	TRANSPORT GUARD		1	
9	537312901	TRANSPORT GUARD		1	
10	544464301	COMBINATION GUARD		1	

A2 343F, FR, 345FX, FXT, FRM, R, RX
BEVEL GEAR



REF.	PART NO.	DESCRIPTION	REMARK	QTY.	KIT
1	504103503	GEAR ASSY		1	
2	738210110	BALL BEARING		1	1
3	503250801	BEARING		1	1
4	503261701	SEALING		1	1
5	503758901	COVER WASHER		1	1
6	735313310	CIRCLIP		1	1
7	544197801	DRIVER		1	
10	503200316	SCREW IHSCFM		4	1
11	503201501	SCREW		1	1
12	503200225	SCREW IHSCFM		2	1
13	738218712	BALL BEARING		2	1
14	735311700	CIRCLIP		1	1
15	735313110	CIRCLIP		1	1