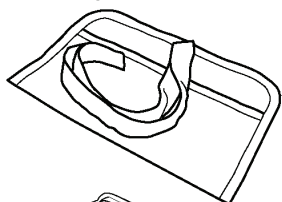


343 F, 20031800001-20043100000

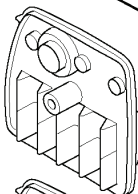
SPARE PARTS LIST

S Accessories
Zubehöre
Accessoires
Accessorios
Tillbehör

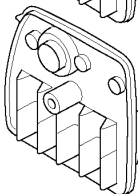
*compl 502 21 60-13



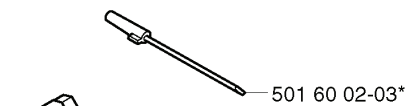
501 19 22-01



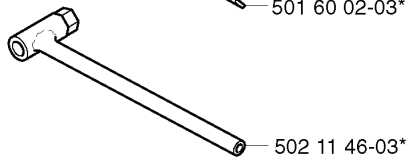
503 95 78-01 **NYLON** μ 80



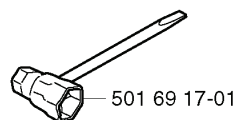
503 95 78-03 **FELT**



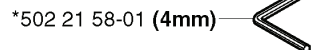
501 60 02-03*



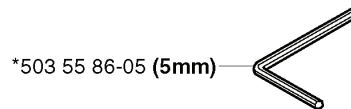
502 11 46-03*



501 69 17-01

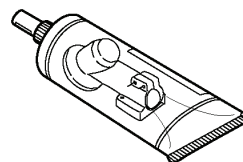


*502 21 58-01 (4mm)



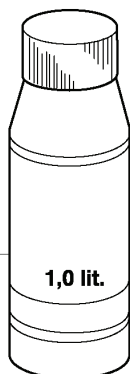
*503 55 86-05 (5mm)

*502 28 59-01



503 97 64-01

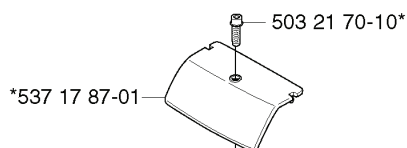
Olja Luftfilter
Oil Airfilter
Öl Luftfilter
Aceite Filtro Air
Huile Filtera aire



531 00 92-48

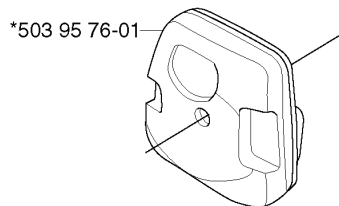
1,0 lit.

Vintersats
Winter kit
Wintersatz
Dispositif hivernal
Juego para uso invernal
***compl 537 23 84-01**

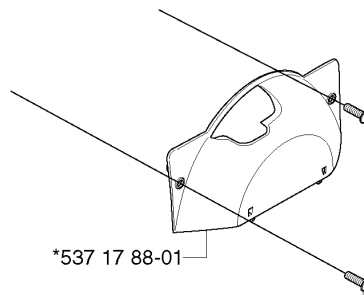


*537 17 87-01

503 21 70-10*



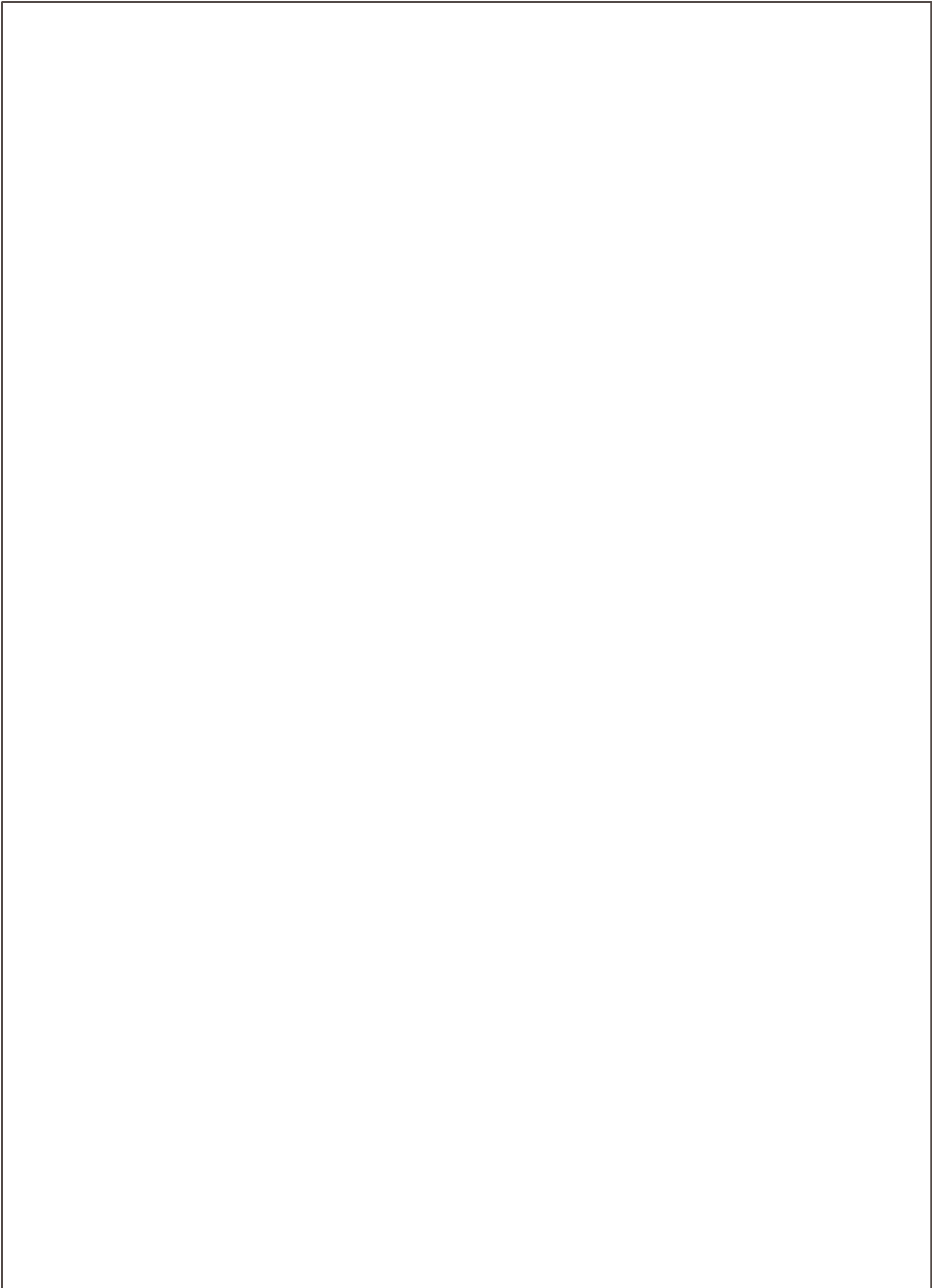
*503 95 76-01



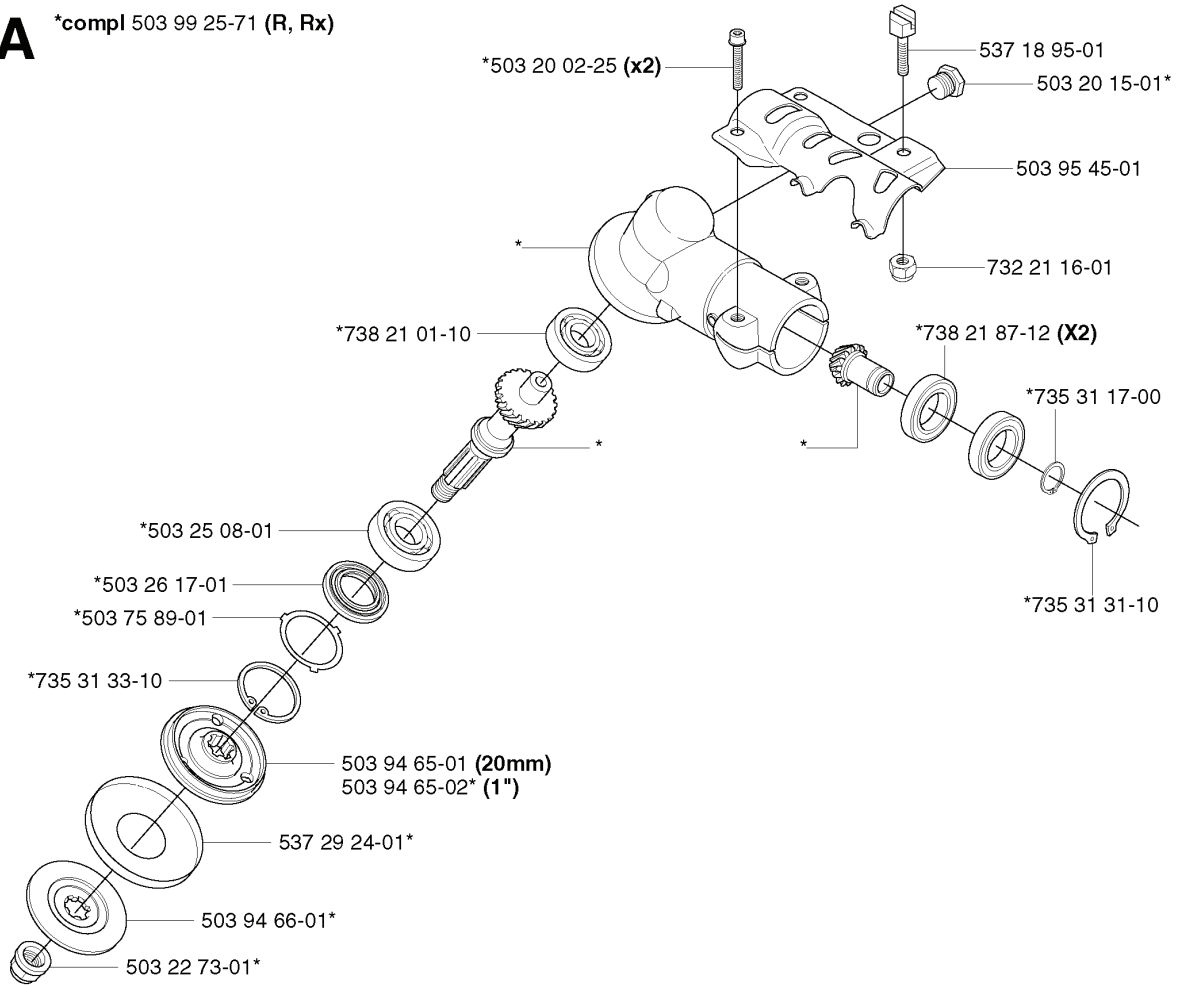
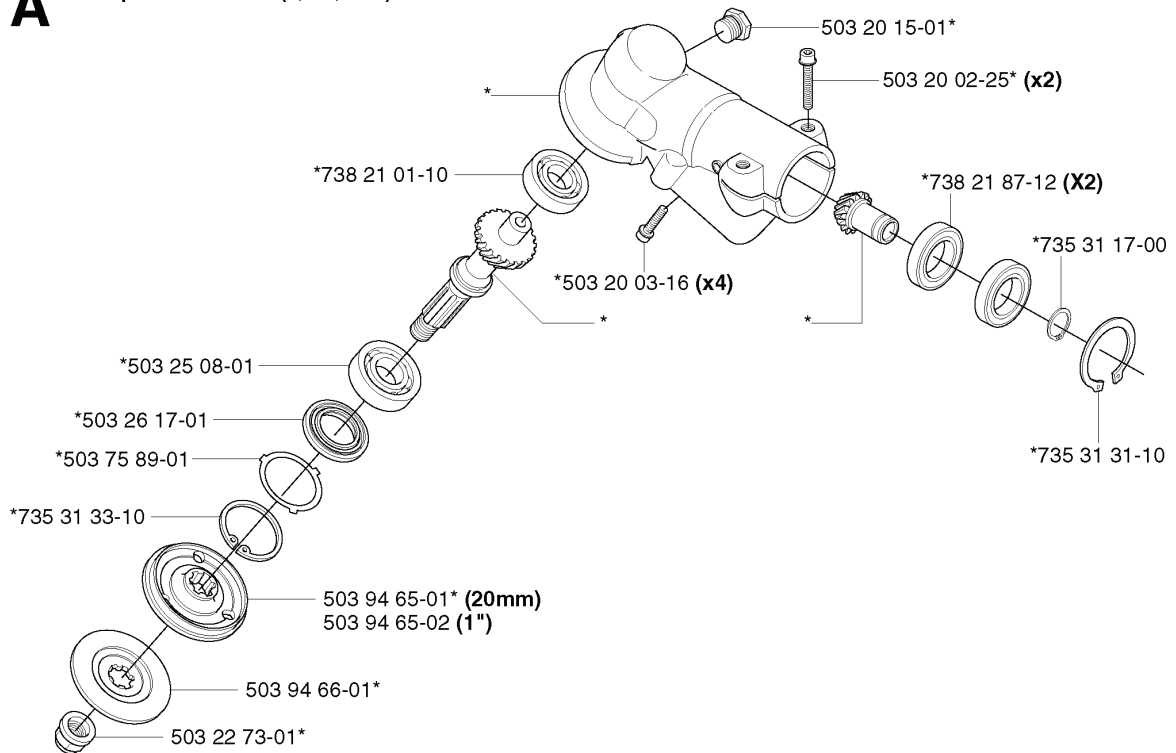
*537 17 88-01

*503 21 70-10 (x2)

REF.	PART NO.	DESCRIPTION	REMARK	QTY.	KIT
502 21 60-13	502216013	ACCESSORY BAG		1	
501 19 22-01	501192201	TOOL		1	
503 95 78-01	503957801	FILTER	NYLON ?0	1	
503 95 78-03	503957803	FILTER	FELT	1	
531 00 92-48	531009248	FILTER OIL		1	
537 23 84-01	537238401	WINTER KIT		1	
503 95 76-01	503957601	FILTER		1	
537 17 87-01	537178701	WINTER COVER		1	
501 69 17-01	501691701	COMBINATION WRENCH		1	
502 11 46-03	502114603	KEY		1	
501 60 02-03	501600203	SCREWDRIVER		1	
537 17 88-01	537178801	WINTER COVER		1	
503 21 70-10	503217010	SCREW CCRPANT		2	
503 97 64-01	503976401	GREASE		1	
502 28 59-01	502285901	STOP		1	
503 55 86-05	503558605	SPANNER	5MM	1	
502 21 58-01	502215801	WRENCH	4MM	1	

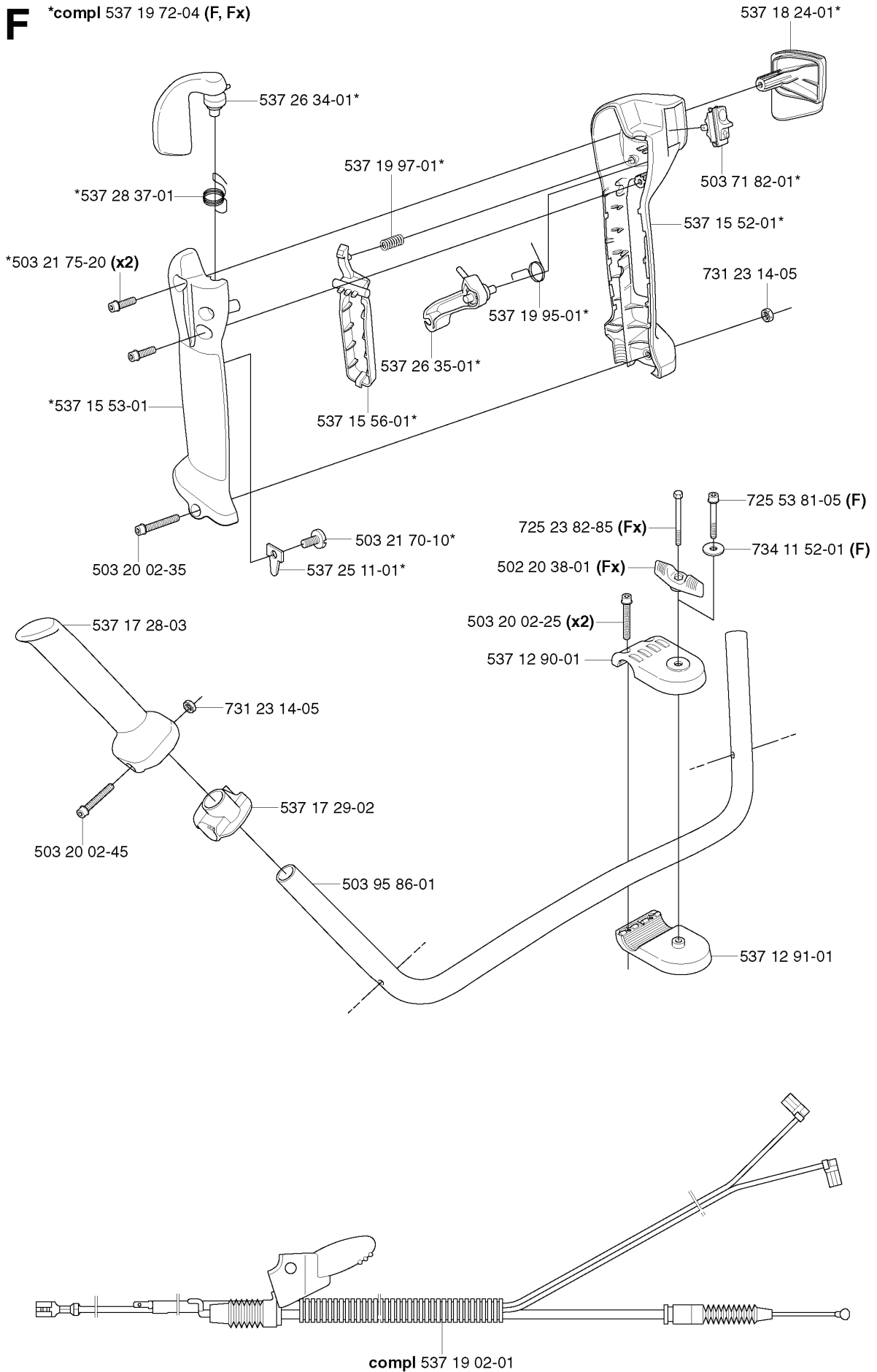


REF.	PART NO.	DESCRIPTION	REMARK	QTY.	KIT
502 03 94-06	502039406	SAW BLADE GUARD	225MM	1	
537 21 71-01	537217101	SAW BLADE GUARD	200MM	1	
537 28 85-01	537288501	BLADE GUARD		1	
502 15 70-02	502157002	SUPPORT CUP		1	
502 26 23-01	502262301	TRIMMER GUARD ASSY		1	
503 95 43-01	503954301	TRIMMER GUARD ASSY		1	
502 03 55-05	502035505	TRANSPORT GUARD	200-250 MM	1	
503 79 88-01	503798801	BLADE		1	
503 21 07-16	503210716	SCREW IH SCT		1	
503 74 29-01	503742901	DECAL		1	
732 21 16-01	732211601	LOCK NUT		1	
537 23 03-01	537230301	ATTACHMENT PLATE		1	
537 18 95-01	537189501	SCREW		1	
503 94 65-01	503946501	DRIVER	20MM	1	
503 20 03-16	503200316	SCREW IH SCFM		4	
537 25 64-01	537256401	ADAPTER		1	
537 25 66-01	537256601	CLAMP		1	
503 20 02-20	503200220	SCREW IH SCFM		2	
537 31 09-01	537310901	BLADE GUARD		1	

A***compl 503 99 25-71 (R, Rx)****A*****compl 503 94 62-71 (F, Fx, FxT)**

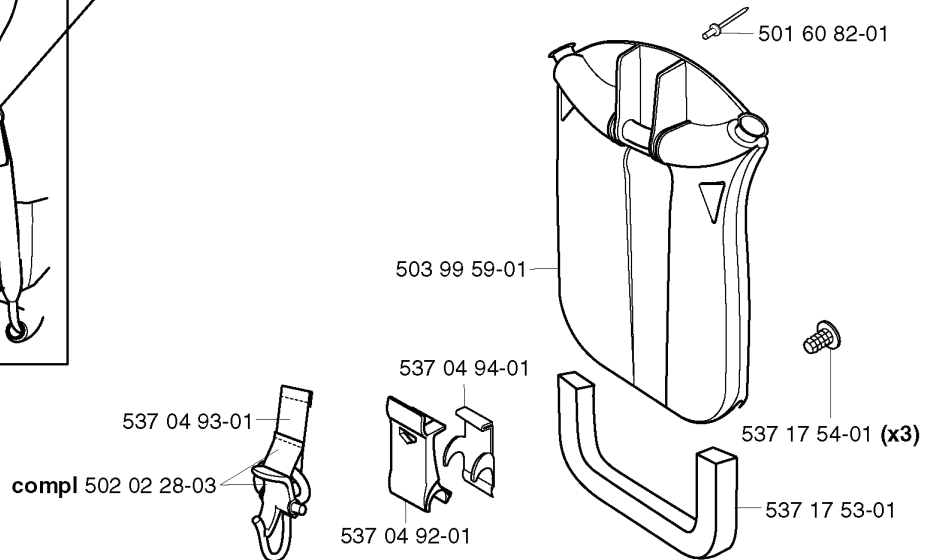
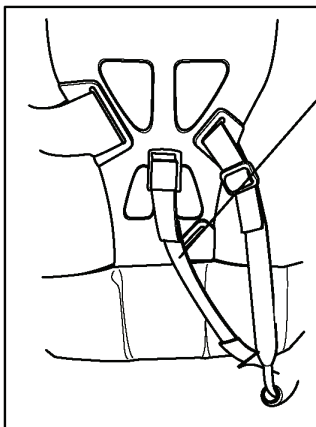
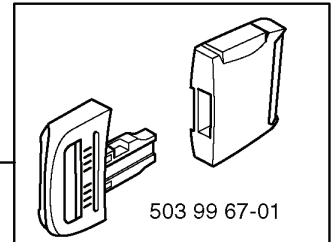
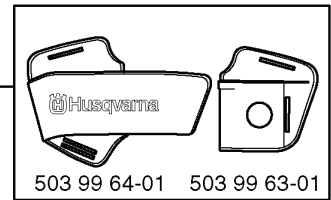
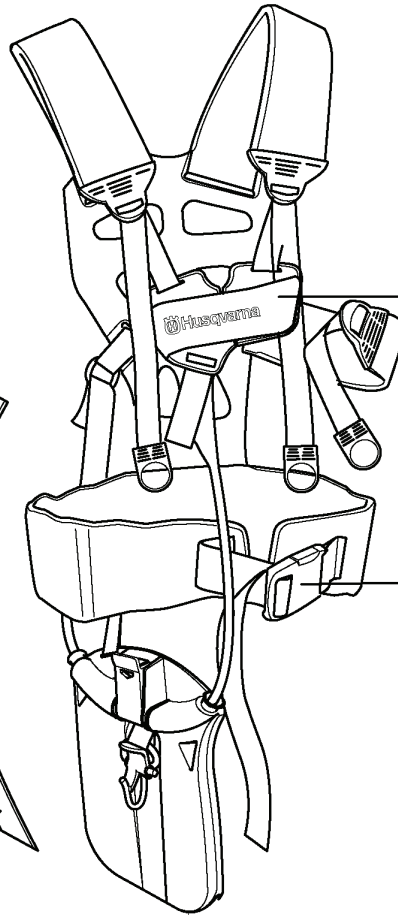
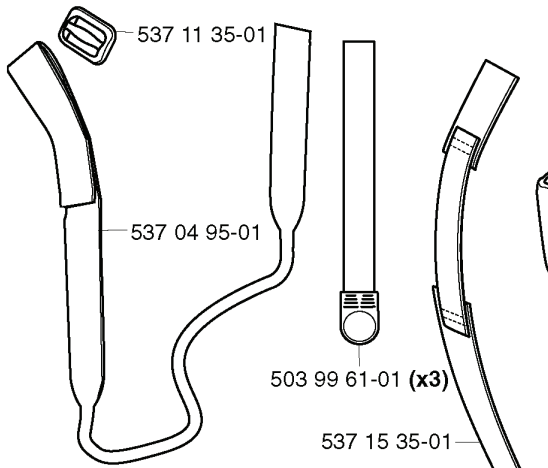
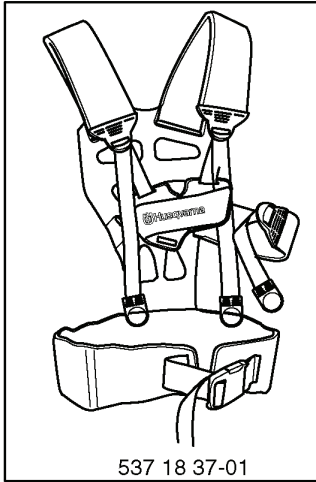
REF.	PART NO.	DESCRIPTION	REMARK	QTY.	KIT
503 94 62-71	503946271	GEAR	F,FX,FXT	1	
503 25 08-01	503250801	BEARING		1	
503 26 17-01	503261701	SEALING		1	
503 75 89-01	503758901	COVER WASHER		1	
735 31 33-10	735313310	CIRCLIP		1	
503 22 73-01	503227301	NUT		1	
503 94 66-01	503946601	SUPPORT FLANGE		1	
503 94 65-02	503946502	DRIVER	1	1	
503 94 65-01	503946501	DRIVER	20MM	1	
738 21 01-10	738210110	BALL BEARING		1	
503 20 03-16	503200316	SCREW IHSCFM		4	
503 95 45-01	503954501	ATTACHMENT PLATE		1	
735 31 31-10	735313110	CIRCLIP		1	
503 99 25-71	503992571	GEAR		1	
537 18 95-01	537189501	SCREW		1	
735 31 17-00	735311700	CIRCLIP		1	
738 21 87-12	738218712	BALL BEARING		2	
537 29 24-01	537292401	CUP		1	
503 20 02-25	503200225	SCREW IHSCFM		2	
732 21 16-01	732211601	LOCK NUT		1	
503 20 15-01	503201501	SCREW		1	

F *compl 537 19 72-04 (F, Fx)



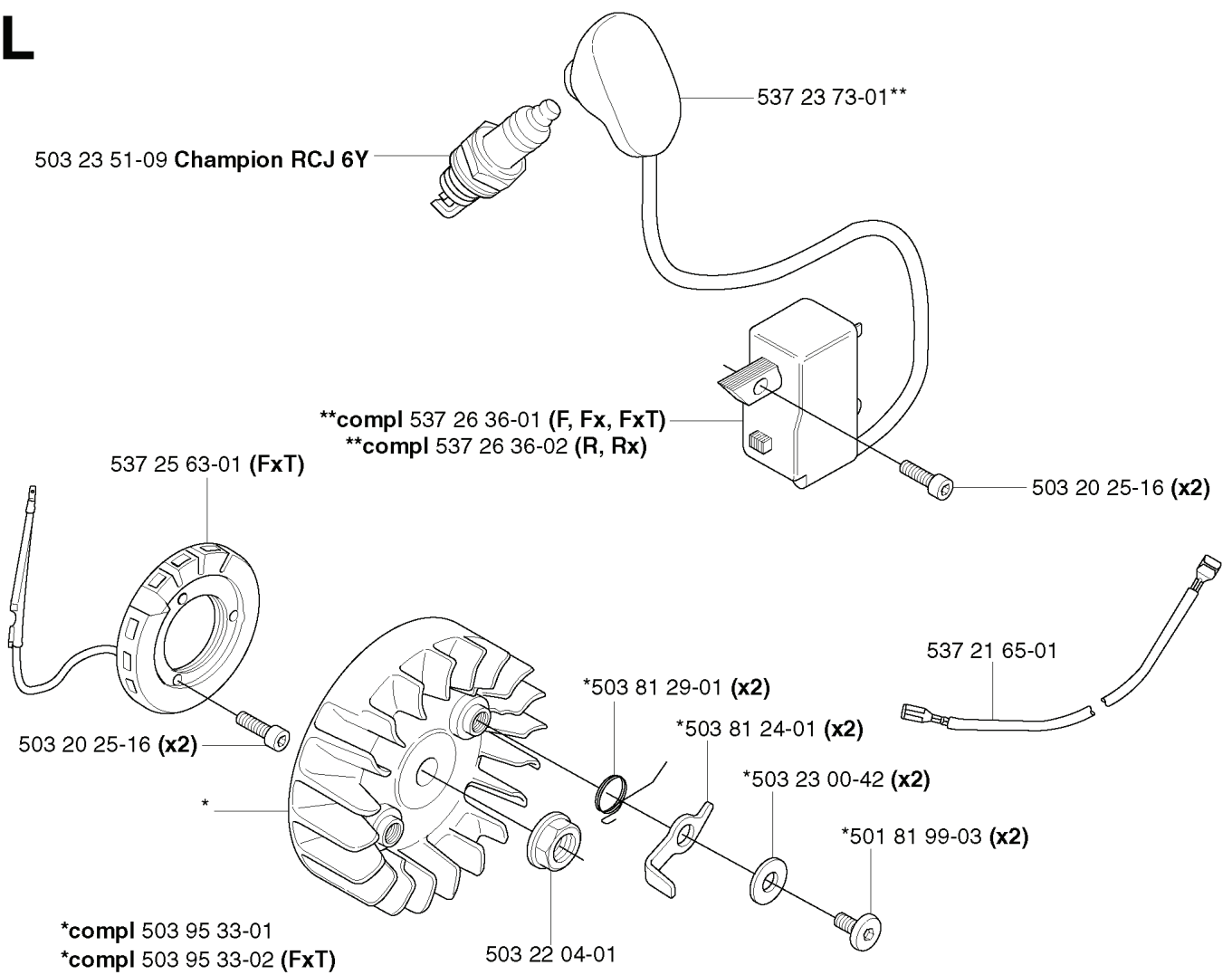
REF.	PART NO.	DESCRIPTION	REMARK	QTY.	KIT
537 19 72-04	537197204	THROTTLE HANDLE	F,FX	1	
537 28 37-01	537283701	SPRING THROTTLE TRIG		1	
503 21 75-20	503217520	SCREW IHSCFT		2	
537 15 53-01	537155301	HANDLE HALF		1	
503 20 02-35	503200235	SCREW IHSCFM		1	
537 17 28-03	537172803	HANDLE		1	
503 20 02-45	503200245	SCREW IHSCFM		1	
537 19 02-01	537190201	WIRING ASSY		1	
503 95 86-01	503958601	HANDLEBAR		1	
537 17 29-02	537172902	BRACKET		1	
731 23 14-05	731231405	HEXAGON NUT		1	
537 25 11-01	537251101	SECURING PLATE		1	
503 21 70-10	503217010	SCREW CCRPANT		1	
537 26 34-01	537263401	THROTTLE TRIGGER		1	
537 19 97-01	537199701	SPRING		1	
537 26 35-01	537263501	THROTTLE LEVER		1	
537 15 56-01	537155601	THROTTLE LOCKOUT		1	
537 12 91-01	537129101	HANDLE BRACKET		1	
537 12 90-01	537129001	HANDLEBAR BRACKET		1	
503 20 02-25	503200225	SCREW IHSCFM		2	
502 20 38-01	502203801	KNOB	FX	1	
725 23 82-85	725238285	SCREW EHHM	FX	1	
537 19 95-01	537199501	SPRING		1	
734 11 52-01	734115201	WASHER	F	1	
725 53 81-05	725538105	SCREW IHSCM	F	1	
537 15 52-01	537155201	HANDLE HALF		1	
503 71 82-01	503718201	SWITCH		1	
537 18 24-01	537182401	COVER		1	

T 3345Rx, 345Fx, 345FxT
compl 531 00 92-08
compl 531 00 92-09 US



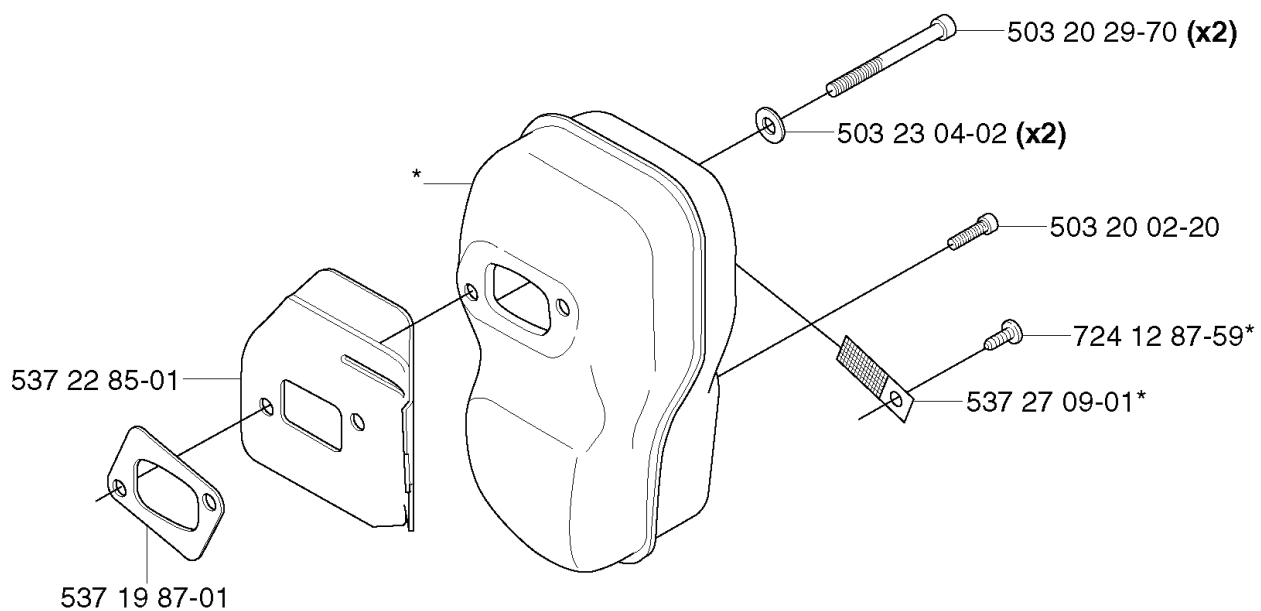
REF.	PART NO.	DESCRIPTION	REMARK	QTY.	KIT
531 00 92-08	531009208	HARNESS	3345RX, 345FX, 345FXT	1	
531 00 92-09	531009209	HARNESS	US	1	
537 18 37-01	537183701	HARNESS		1	
537 11 35-01	537113501	RETAINER		1	
537 04 95-01	537049501	BAND		1	
503 99 61-01	503996101	BAND		3	
537 15 35-01	537153501	STRAP		1	
537 04 93-01	537049301	HIP PAD		1	
502 02 28-03	502022803	WELT HOOK		1	
537 04 92-01	537049201	HIP PAD		1	
537 04 94-01	537049401	HIP PAD		1	
503 99 59-01	503995901	HIP PAD		1	
537 17 53-01	537175301	HIP PAD		1	
537 17 54-01	537175401	HIP PAD		3	
501 60 82-01	501608201	RIVET		1	
537 17 12-01	537171201	HIP PAD		1	
503 99 67-01	503996701	BUCKLE		1	
503 99 63-01	503996301	FRONT PIECE		1	
503 99 64-01	503996401	FRONT PIECE		1	

L



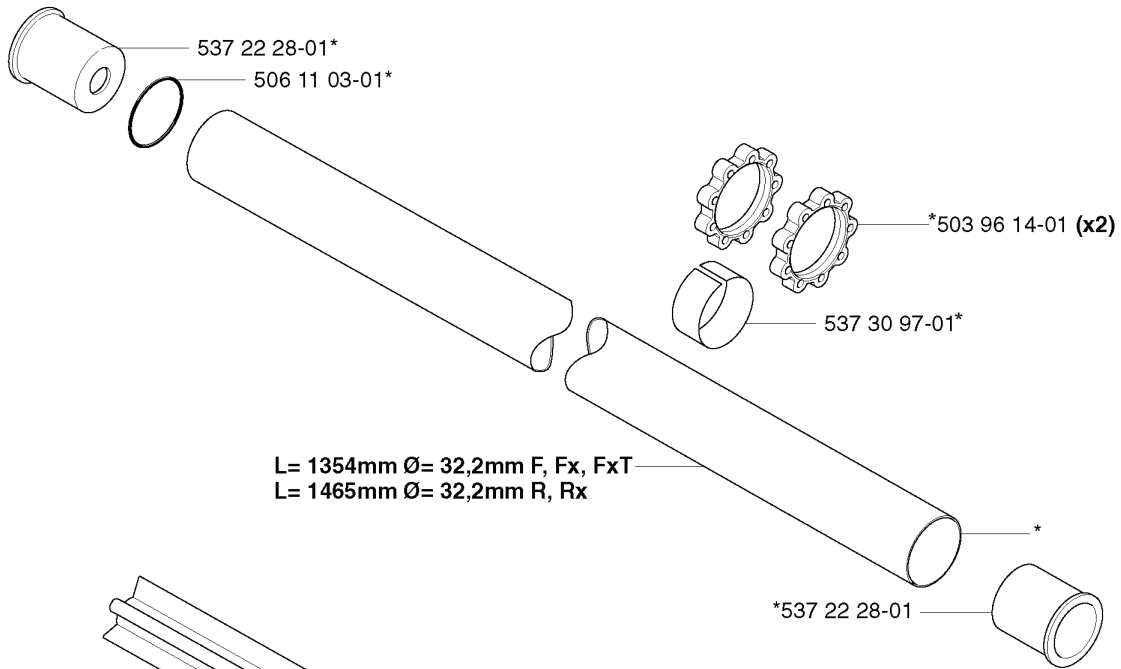
REF.	PART NO.	DESCRIPTION	REMARK	QTY.	KIT
503 23 51-09	503235109	SPARK PLUG		1	
537 25 63-01	537256301	GENERATOR STATOR	FXT	1	
503 95 33-01	503953301	FLYWHEEL		1	
503 95 33-02	503953302	FLYWHEEL	FXT	1	
503 22 04-01	503220401	NUT		1	
537 26 36-02	537263602	IGNITION SYSTEM	R, RX	1	
537 26 36-01	537263601	IGNITION SYSTEM	F, FX, FXT	1	
503 81 29-01	503812901	SPRING		2	
503 81 24-01	503812401	STARTER PAWL		2	
503 23 00-42	503230042	WASHER		2	
501 81 99-03	501819903	SCREW		2	
537 21 65-01	537216501	SHORT CIRCUIT CABLE		1	
503 20 25-16	503202516	SCREW IHSCM		2	
537 23 73-01	537237301	SPARK PLUG CAP		1	

H *compl 503 94 90-01 (CAT)
*compl 503 94 90-02

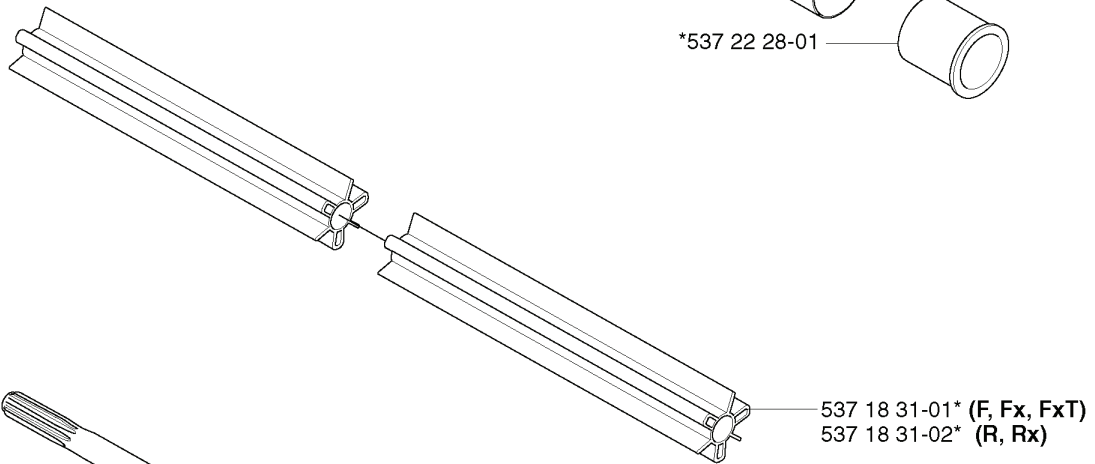


REF.	PART NO.	DESCRIPTION	REMARK	QTY.	KIT
503 94 90-01	503949001	MUFFLER ASSY	CAT	1	
503 94 90-02	503949002	MUFFLER ASSY		1	
537 22 85-01	537228501	HEAT DEFLECTOR		1	
537 19 87-01	537198701	GASKET		1	
537 27 09-01	537270901	SPARK ARRESTER SCREEN		1	
724 12 87-59	724128759	SCREW CRPANM		1	
503 20 02-20	503200220	SCREW IHSCFM		1	
503 23 04-02	503230402	WASHER		2	
503 20 29-70	503202970	SCREW IHSCFM		2	

B *compl 537 27 92-03 (F, Fx, FxT)
 *compl 537 27 92-04 (R, Rx)



L= 1354mm Ø= 32,2mm F, Fx, FxT
 L= 1465mm Ø= 32,2mm R, Rx



L= 1401mm Ø= 9mm F, Fx, FxT
 L= 1512mm Ø= 9mm R, Rx

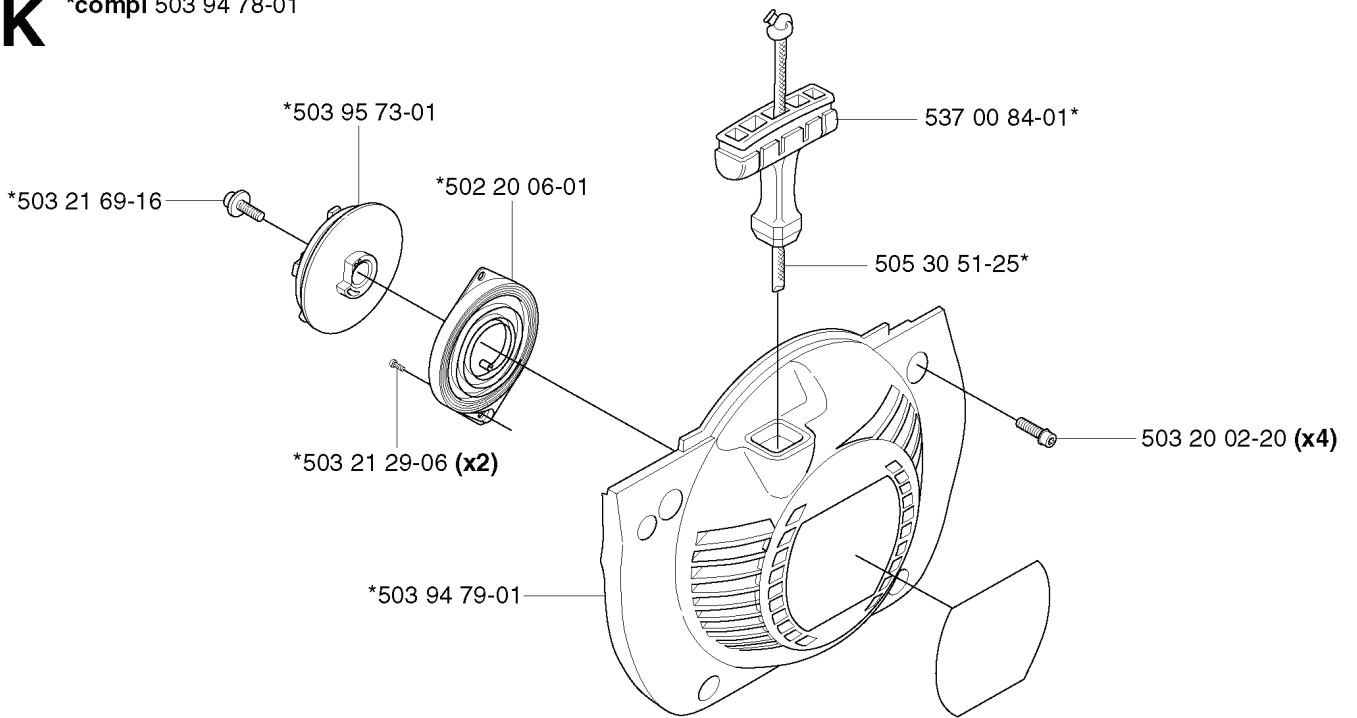


Correction:
 537 29 47-02
 537 02 76-02
 537 29 47-03 (US, Can.)

503 95 54-01 (F, Fx, FxT)
 503 95 54-02 (R, Rx)

REF.	PART NO.	DESCRIPTION	REMARK	QTY.	KIT
537 27 92-03	537279203	TUBE	F,FX,FXT	1	
537 27 92-04	537279204	TUBE	R, RX	1	
537 22 28-01	537222801	SPACER		1	
506 11 03-01	506110301	O-RING		1	
537 29 47-02	537294702	LABEL	CORRECTION:	1	
537 29 47-03	537294703	LABEL	US. CAN.	1	
503 95 54-02	503955402	DRIVE SHAFT	R, RX	1	
503 95 54-01	503955401	DRIVE SHAFT	F,FX,FXT	1	
537 18 31-02	537183102	GUIDE	R, RX	1	
537 18 31-01	537183101	GUIDE	F,FX,FXT	1	
537 30 97-01	537309701	TAPE		1	
503 96 14-01	503961401	ABSORBER		2	

K *compl 503 94 78-01



Husqvarna

343F

PKG. PEND.

537 28 03-01 (343F)

Husqvarna

E-tech **X-Series**
345F

PKG. PEND.

537 28 03-02 (345Fx)

Husqvarna

E-tech **XT-Series**
345F

PKG. PEND.

537 28 03-03 (345FxT)

Husqvarna

343R

PKG. PEND.

537 28 03-04 (343R)

Husqvarna

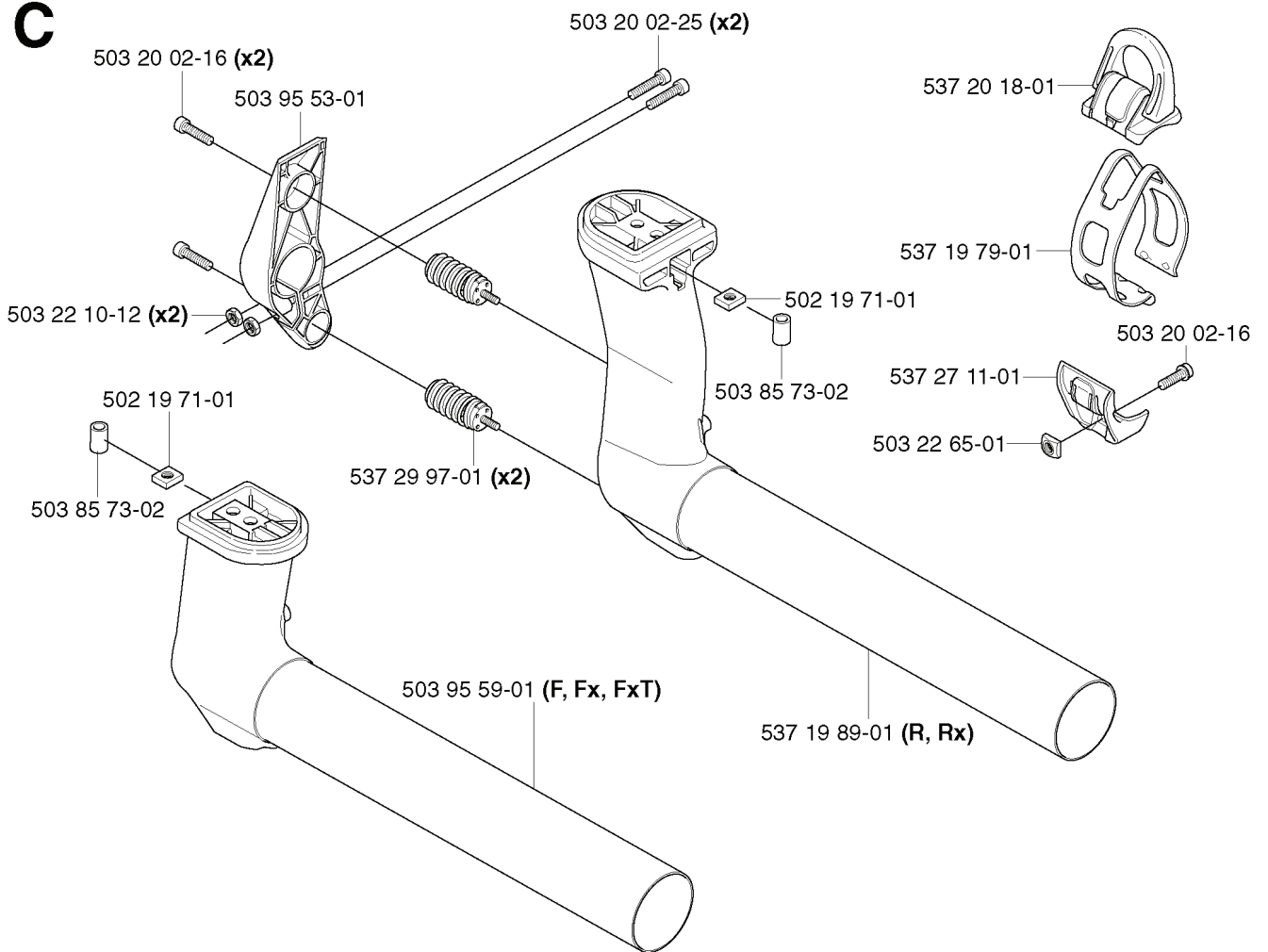
E-tech **X-Series**
345R

PKG. PEND.

537 28 03-05 (345Rx)

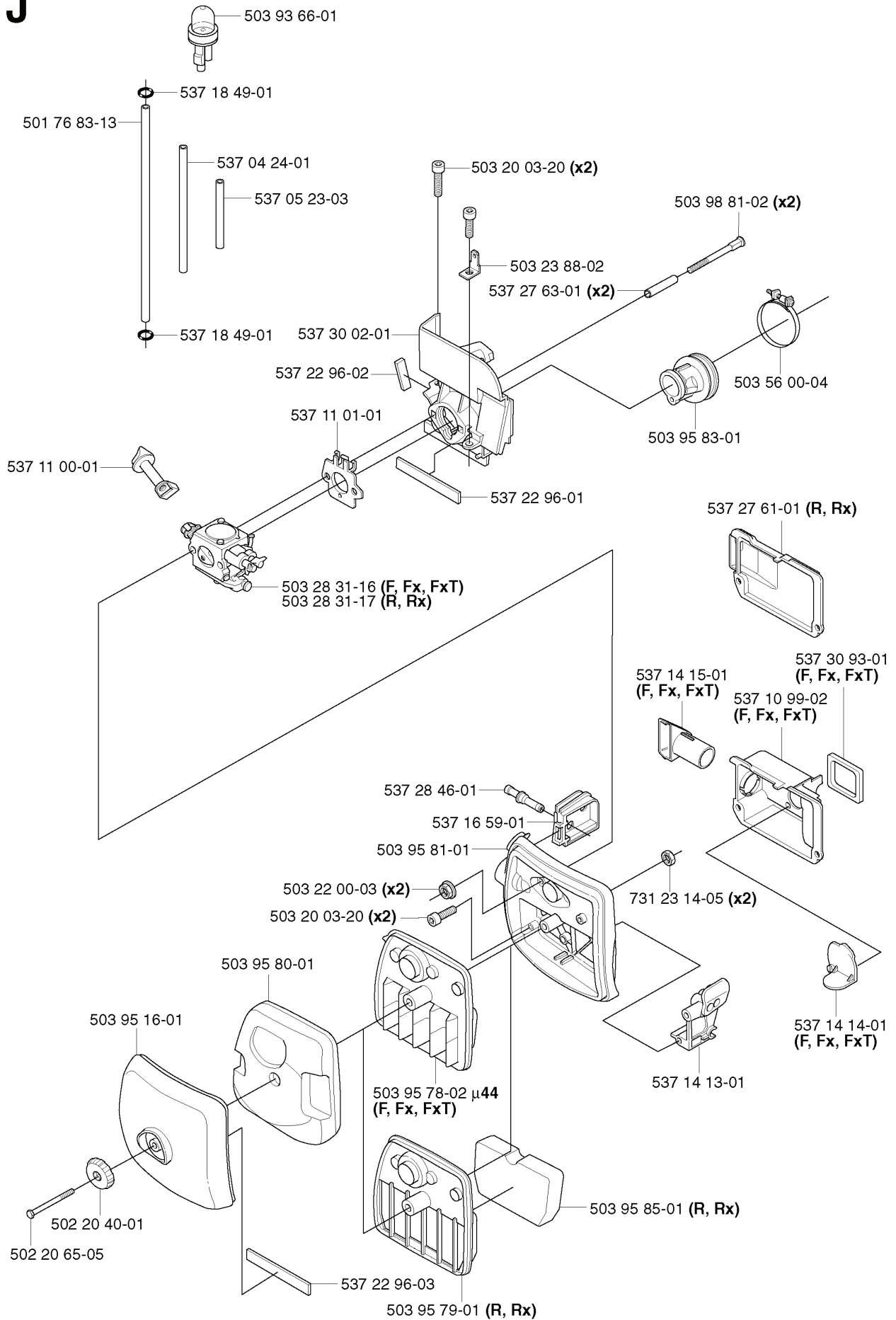
REF.	PART NO.	DESCRIPTION	REMARK	QTY.	KIT
503 94 78-01	503947801	STARTER ASSY		1	
503 21 69-16	503216916	SCREW IHSCCT		1	
537 28 03-01	537280301	LABEL	343F	1	
537 28 03-02	537280302	LABEL	345FX	1	
503 94 79-01	503947901	STARTER HOUSING		1	
503 21 29-06	503212906	SCREW CCRPANT		2	
503 95 73-01	503957301	STARTER PULLEY		1	
502 20 06-01	502200601	SPRING CASSETTE ASSY		1	
537 28 03-03	537280303	LABEL	345FXT	1	
537 28 03-04	537280304	LABEL	343R	1	
537 28 03-05	537280305	LABEL	345RX	1	
503 20 02-20	503200220	SCREW IHSCFM		4	
505 30 51-25	505305125	STARTER ROPE		1	
537 00 84-01	537008401	STARTER HANDLE		1	

C



REF.	PART NO.	DESCRIPTION	REMARK	QTY.	KIT
5039553-01	503955301	HOLDER ANTIVIBRATION		1	
5032210-12	503221012	HEXAGON NUT		2	
5038573-02	503857302	COVER		1	
5039559-01	503955901	SUSPENSION	F, FX, FXT	1	
5372997-01	537299701	ANTIVIBRATION ELEMENT		2	
5032002-25	503200225	SCREW IHSCFM		2	
5371989-01	537198901	SUSPENSION	R, RX	1	
5032265-01	503226501	SQUARE NUT		1	
5372711-01	537271101	GUIDE RAIL		1	
5021971-01	502197101	SQUARE NUT		1	
5032002-16	503200216	SCREW IHSCFM		1	
5371979-01	537197901	BAND		1	
5372018-01	537201801	LOOP		1	

J

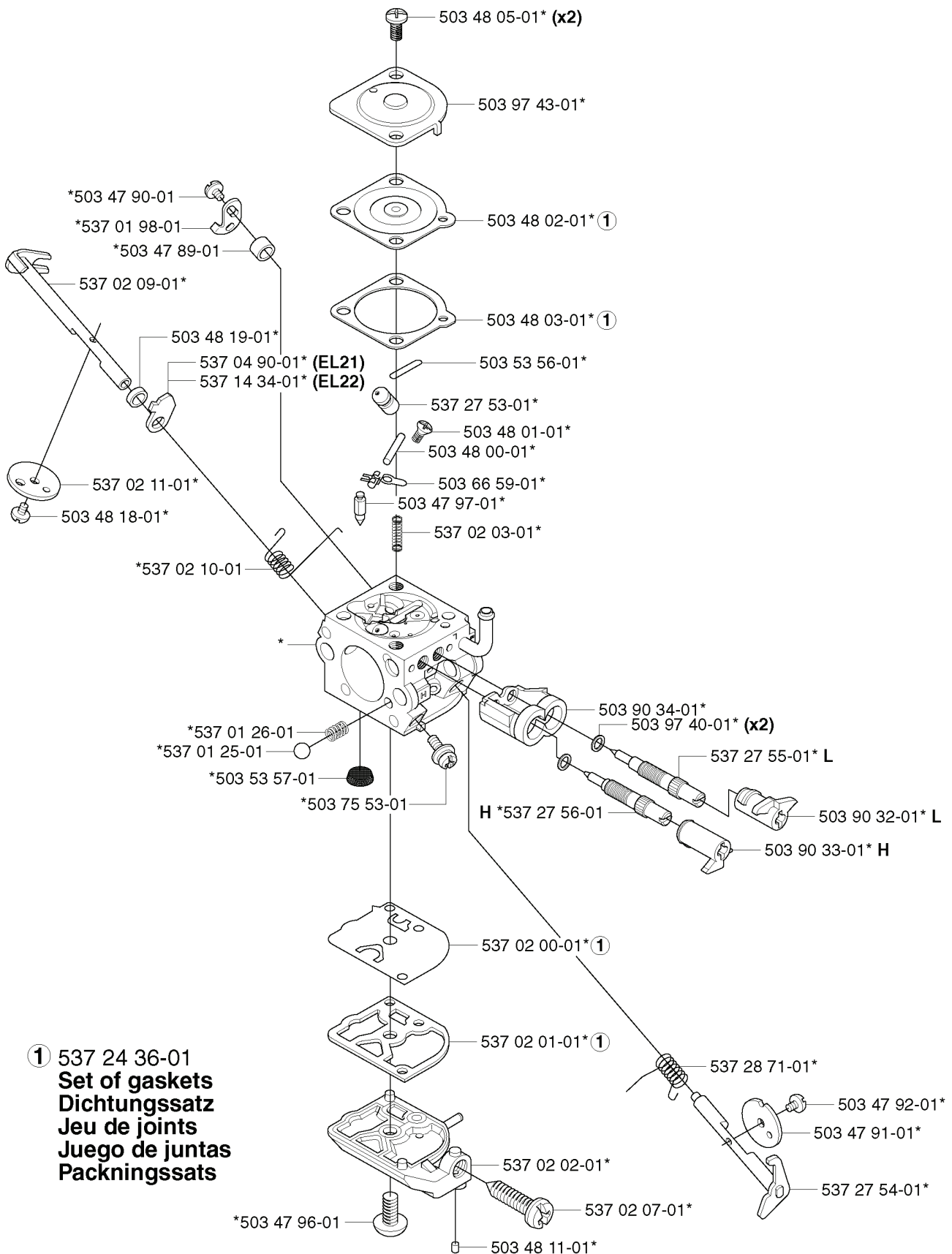


REF.	PART NO.	DESCRIPTION	REMARK	QTY.	KIT
5017683-13	501768313	FUEL HOSE		1	
5371100-01	537110001	CHOKE CONTROL		1	
5039516-01	503951601	FILTER COVER		1	
5022040-01	502204001	KNOB		1	
5022065-05	502206505	SCREW EHHM		1	
5039579-01	503957901	RETAINER	R, RX	1	
5372296-03	537229603	MOULDING		1	
5039578-02	503957802	FILTER	F, FX, FXT	1	
5039580-01	503958001	HUB CAP		1	
5032003-20	503200320	SCREW IHSCFM		2	
5032200-03	503220003	HEXAGON NUT		2	
5039581-01	503958101	FILTER HOLDER		1	
5371659-01	537165901	GROMMET		1	
5372846-01	537284601	NIPPLE		1	
5032831-17	503283117	CARBURETTOR	R, RX	1	
5032831-16	503283116	CARBURETTOR	F, FX, FXT	1	
5371101-01	537110101	SPACER		1	
5372296-02	537229602	MOULDING		1	
5373002-01	537300201	INSULATION WALL		1	
5371849-01	537184901	O-RING		1	
5370523-03	537052303	FUEL HOSE		1	
5370424-01	537042401	FUEL HOSE		1	
5039366-01	503936601	PURGE		1	
5032388-02	503238802	FLAT PIN		1	
5372763-01	537276301	PIPE		2	
5372296-01	537229601	MOULDING		1	
7312314-05	731231405	HEXAGON NUT		2	
5371413-01	537141301	CHISEL GUIDE		1	
5039585-01	503958501	FILTER	R, RX	1	
5371414-01	537141401	HUB CAP	F, FX, FXT	1	
5371099-02	537109902	MUFFLER	F, FX, FXT	1	
5371415-01	537141501	AIR INTAKE	F, FX, FXT	1	
5373093-01	537309301	SEALING	F, FX, FXT	1	
5372761-01	537276101	MUFFLER	R, RX	1	
5039583-01	503958301	BELLOWS		1	
5035600-04	503560004	HOSE CLAMP		1	
5039881-02	503988102	SCREW		2	

R

*compl 503 28 31-16 (F, Fx, FxT) Zama C1Q-EL21
*compl 503 28 31-17 (R, Rx) Zama C1Q-EL22

Zama C1Q-EL21 Zama C1Q-EL22

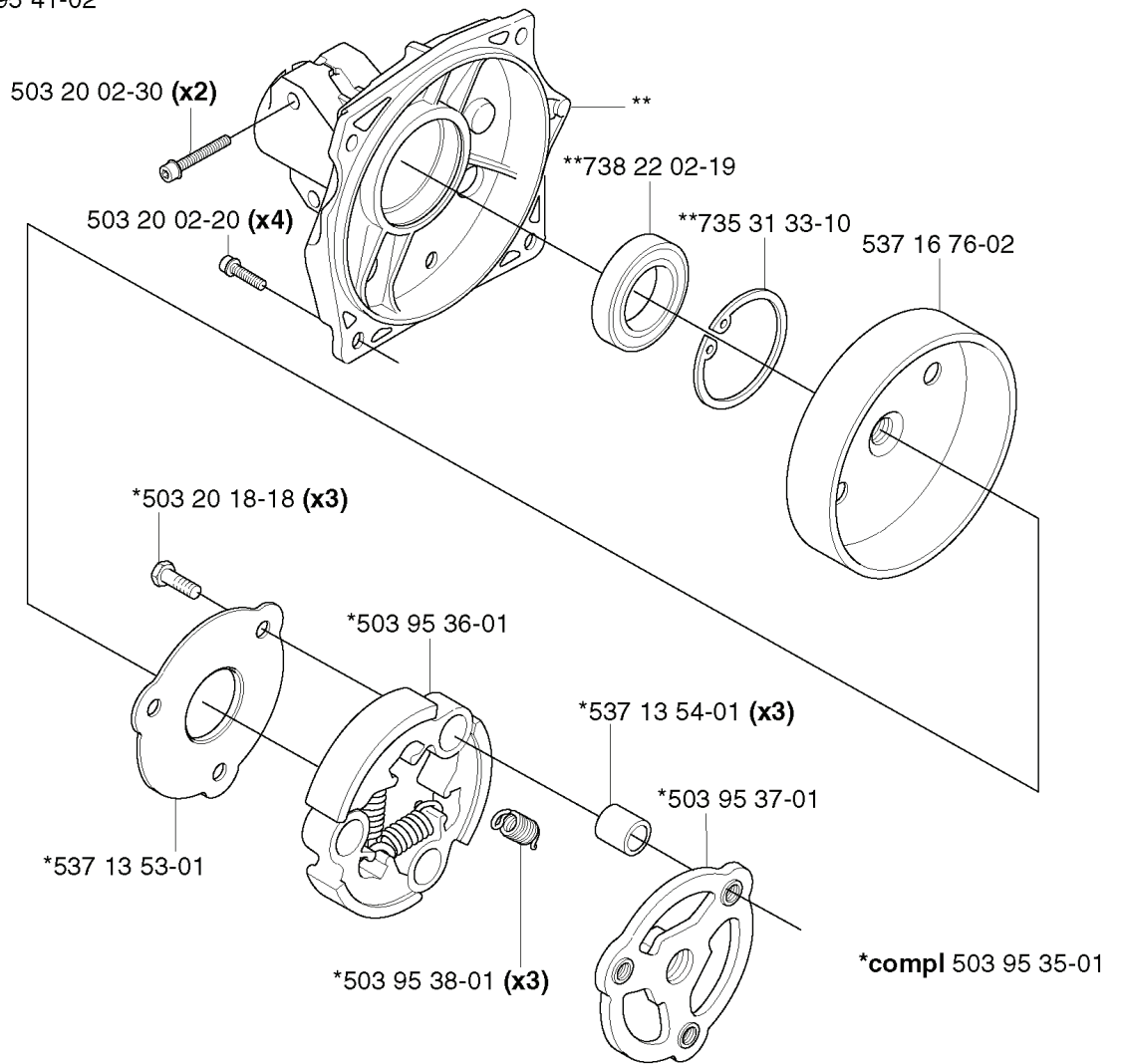


REF.	PART NO.	DESCRIPTION	REMARK	QTY.	KIT
503 28 31-16	503283116	CARBURETTOR	F,FX, FXT ZAMA C1Q-EL21	1	
503 28 31-17	503283117	CARBURETTOR	R, RX ZAMA C1Q-EL22	1	
503 47 90-01	503479001	SCREW		1	
537 01 98-01	537019801	LEVER		1	
503 47 89-01	503478901	COLLAR		1	
537 02 09-01	537020901	SHAFT ASSY		1	
537 02 11-01	537021101	VALVE		1	
503 48 18-01	503481801	SCREW		1	
537 02 10-01	537021001	SPRING		1	
537 01 26-01	537012601	SPRING		1	
537 01 25-01	537012501	BALL		1	
503 53 57-01	503535701	STRAINER		1	
503 47 96-01	503479601	SCREW		1	
503 75 53-01	503755301	SCREW		1	
537 14 34-01	537143401	LEVER	EL22	1	
537 04 90-01	537049001	LEVER	EL21	1	
503 48 19-01	503481901	COLLAR		1	
537 27 56-01	537275601	SCREW	H	1	
537 02 00-01	537020001	DIAPHRAGM PUMP	537 24 36-01 SET OF GASKETS	1	
537 02 01-01	537020101	GASKET	537 24 36-01 SET OF GASKETS	1	
537 02 02-01	537020201	COVER		1	
537 02 07-01	537020701	SCREW		1	
503 48 11-01	503481101	PIECE		1	
537 27 54-01	537275401	SHAFT ASSY		1	
503 47 91-01	503479101	VALVE		1	
503 47 92-01	503479201	SCREW		1	
537 28 71-01	537287101	SPRING		1	
503 90 33-01	503903301	LIMITER CAP	H	1	
503 90 32-01	503903201	LIMITER CAP	L	1	
537 27 55-01	537275501	SCREW	L	1	
503 97 40-01	503974001	WASHER		2	
503 90 34-01	503903401	RETAINER		1	
537 02 03-01	537020301	SPRING		1	
503 47 97-01	503479701	VALVE		1	
503 66 59-01	503665901	LEVER		1	
503 48 00-01	503480001	PIN RETAINING SCREW		1	
503 48 01-01	503480101	SCREW		1	
537 24 36-01	537243601	GASKET KIT		1	
537 27 53-01	537275301	NOZZLE ASSY		1	
503 53 56-01	503535601	PLUG WELCH		1	
503 48 03-01	503480301	GASKET		1	

REF.	PART NO.	DESCRIPTION	REMARK	QTY.	KIT
503 48 02-01	503480201	DIAPHRAGM		1	
503 97 43-01	503974301	COVER		1	
503 48 05-01	503480501	SCREW		2	

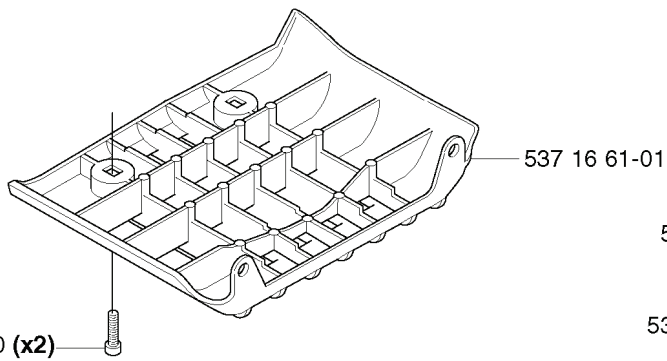
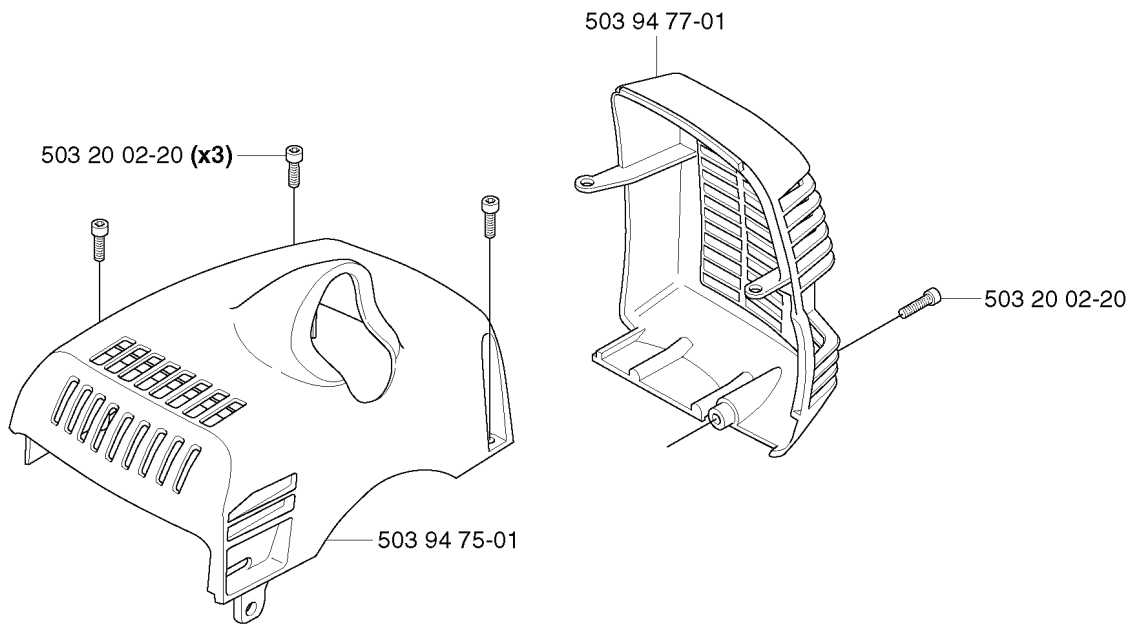
N


****compl 503 95 41-02**





REF.	PART NO.	DESCRIPTION	REMARK	QTY.	KIT
503 95 41-02	503954102	CLUTCH COVER		1	
503 20 02-30	503200230	SCREW IHSCFM		2	
503 20 02-20	503200220	SCREW IHSCFM		4	
503 20 18-18	503201818	SCREW EHHM		3	
537 13 53-01	537135301	WASHER		1	
503 95 38-01	503953801	CLUTCH SPRING		3	
503 95 36-01	503953601	CLUTCH SHOE		1	
537 13 54-01	537135401	BEARING BUSH		3	
503 95 37-01	503953701	CLUTCH HUB		1	
503 95 35-01	503953501	CLUTCH ASSY		1	
537 16 76-02	537167602	CLUTCH DRUM ASSY		1	
735 31 33-10	735313310	CIRCLIP		1	
738 22 02-19	738220219	BALL BEARING		1	


G




537 28 04-01 (343F)  **343F**

537 28 04-02 (345Fx)  **345F**

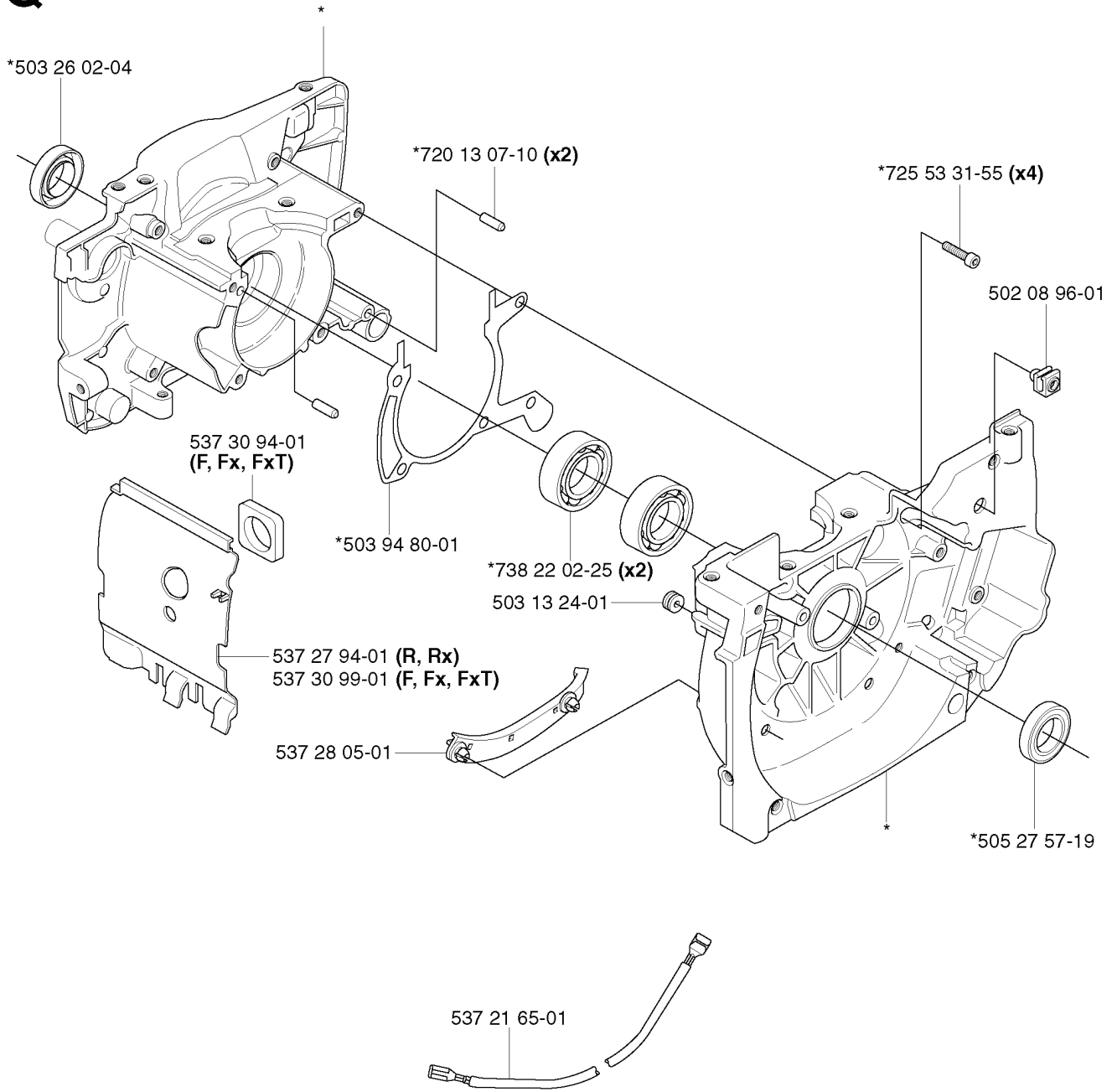
537 28 04-03 (345FxT)  **345F**

537 28 04-04 (343R)  **343R**

537 28 04-05 (345Rx)  **345R**

REF.	PART NO.	DESCRIPTION	REMARK	QTY.	KIT
503 20 02-20	503200220	SCREW IHSCFM		3	
537 28 04-05	537280405	LABEL	345RX	1	
537 28 04-04	537280404	LABEL	343R	1	
537 28 04-03	537280403	LABEL	345FXT	1	
537 28 04-02	537280402	LABEL	345FX	1	
537 28 04-01	537280401	LABEL	343F	1	
537 16 61-01	537166101	PROTECTIVE COVER		1	
503 94 75-01	503947501	CYLINDER COVER		1	
503 94 77-01	503947701	HEAT PROTECTOR		1	

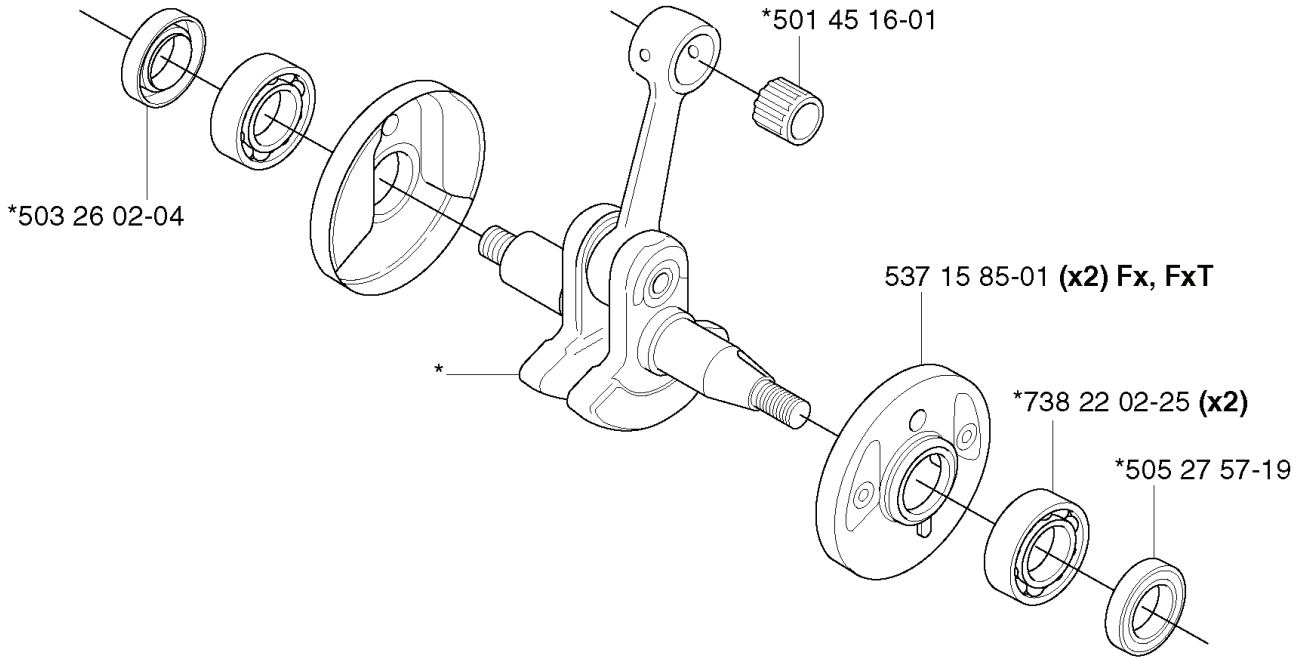
Q *compl 537 23 04-01



REF.	PART NO.	DESCRIPTION	REMARK	QTY.	KIT
537 23 04-01	537230401	CRANKCASE		1	
503 26 02-04	503260204	SEALING RING		1	
537 30 94-01	537309401	SEALING	F, FX, FXT	1	
537 27 94-01	537279401	WALL	R, RX	1	
537 30 99-01	537309901	WALL	F, FX, FXT	1	
537 28 05-01	537280501	CABLE HOLDER		1	
537 21 65-01	537216501	SHORT CIRCUIT CABLE		1	
503 13 24-01	503132401	CABLE GROMMET		1	
738 22 02-25	738220225	BALL BEARING		2	
503 94 80-01	503948001	GASKET		1	
720 13 07-10	720130710	PARALLEL PIN		2	
505 27 57-19	505275719	SEALING RING		1	
502 08 96-01	502089601	CABLE HOLDER		1	
725 53 31-55	725533155	SCREW IHSCM		4	

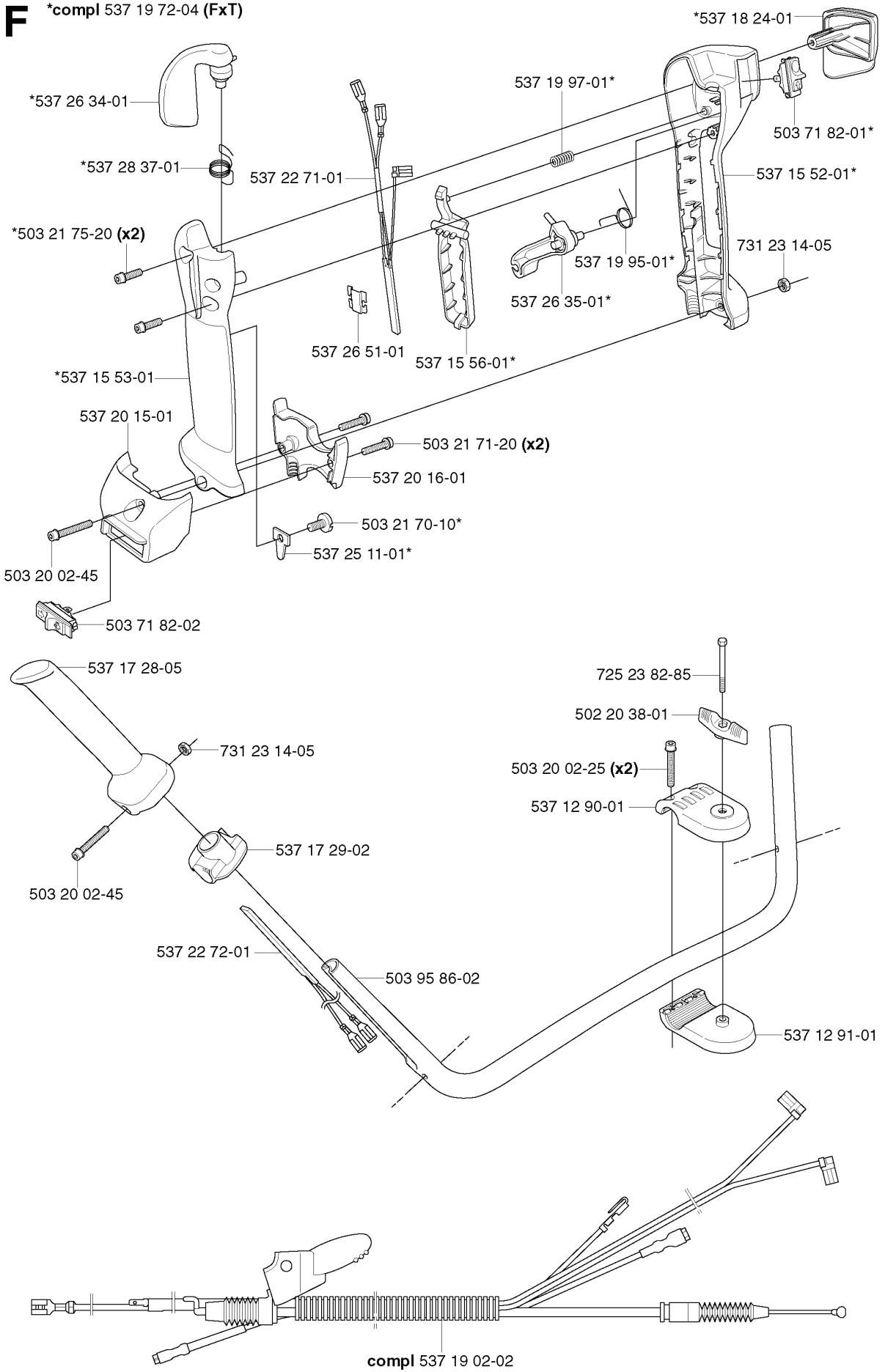
P

*compl 537 18 97-02



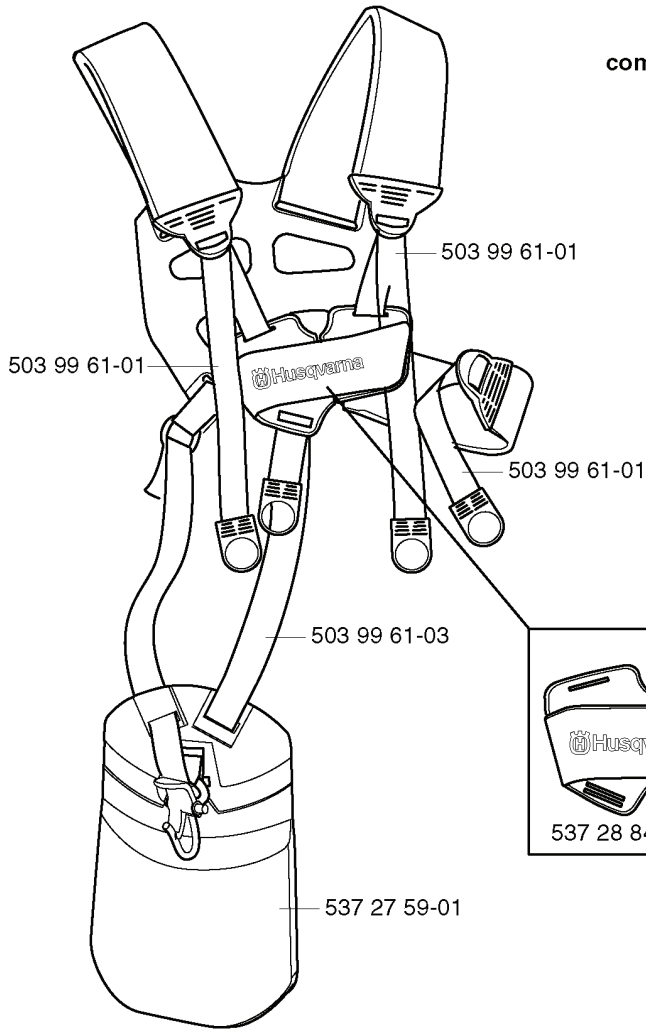
REF.	PART NO.	DESCRIPTION	REMARK	QTY.	KIT
537 18 97-02	537189702	CRANKSHAFT		1	
503 26 02-04	503260204	SEALING RING		1	
505 27 57-19	505275719	SEALING RING		1	
738 22 02-25	738220225	BALL BEARING		2	
537 15 85-01	537158501	CUP	FX, FXT	2	
501 45 16-01	501451601	NEEDLE BEARING		1	

F *compl 537 19 72-04 (FxT)

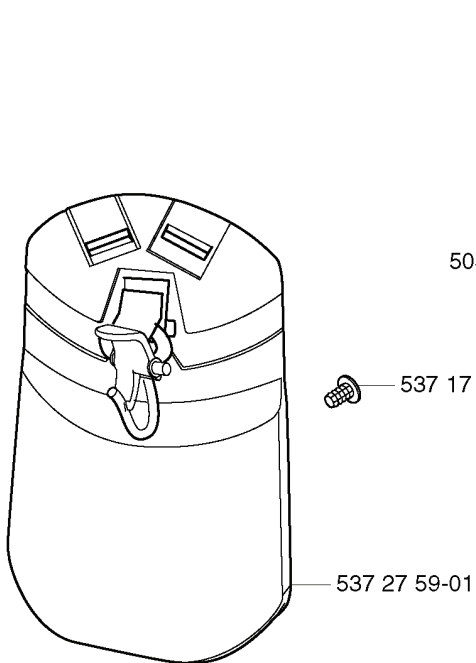
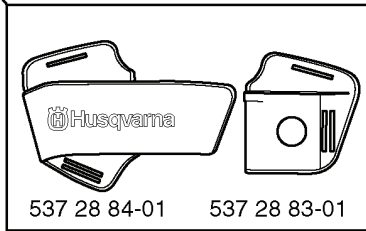
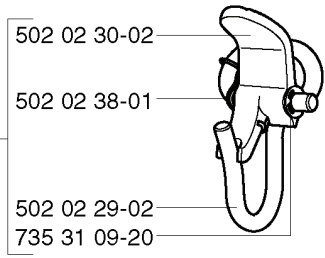


REF.	PART NO.	DESCRIPTION	REMARK	QTY.	KIT
537 19 72-04	537197204	THROTTLE HANDLE	FXT	1	
537 26 34-01	537263401	THROTTLE TRIGGER		1	
537 28 37-01	537283701	SPRING THROTTLE TRIG		1	
503 21 75-20	503217520	SCREW IHSCFT		2	
537 15 53-01	537155301	HANDLE HALF		1	
537 20 15-01	537201501	RETAINER		1	
503 20 02-45	503200245	SCREW IHSCFM		1	
503 71 82-02	503718202	SWITCH		1	
537 17 28-05	537172805	HANDLE		1	
537 22 72-01	537227201	ELEMENT		1	
537 19 02-02	537190202	WIRING ASSY		1	
503 95 86-02	503958602	HANDLEBAR		1	
537 17 29-02	537172902	BRACKET		1	
731 23 14-05	731231405	HEXAGON NUT		1	
537 22 71-01	537227101	ELEMENT		1	
537 26 51-01	537265101	SECURING PLATE		1	
537 15 56-01	537155601	THROTTLE LOCKOUT		1	
503 21 71-20	503217120	SCREW IHSCFT		2	
537 20 16-01	537201601	RETAINER		1	
503 21 70-10	503217010	SCREW CCRPANT		1	
537 25 11-01	537251101	SECURING PLATE		1	
537 12 91-01	537129101	HANDLE BRACKET		1	
537 12 90-01	537129001	HANDLEBAR BRACKET		1	
503 20 02-25	503200225	SCREW IHSCFM		2	
502 20 38-01	502203801	KNOB		1	
725 23 82-85	725238285	SCREW EHHM		1	
537 26 35-01	537263501	THROTTLE LEVER		1	
537 19 95-01	537199501	SPRING		1	
537 19 97-01	537199701	SPRING		1	
537 15 52-01	537155201	HANDLE HALF		1	
503 71 82-01	503718201	SWITCH		1	
537 18 24-01	537182401	COVER		1	

T 343R, 343F
 *compl 537 27 57-01
 *compl 537 27 57-03 US

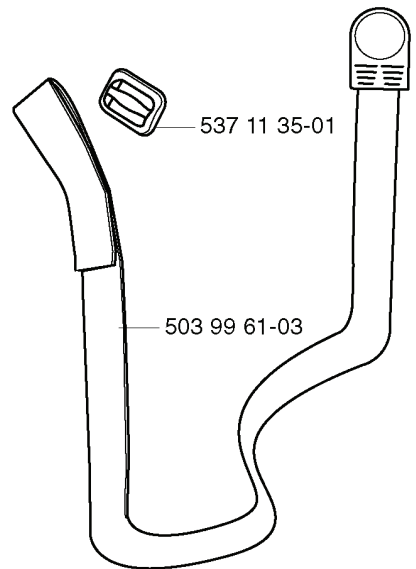


compl 502 02 28-01



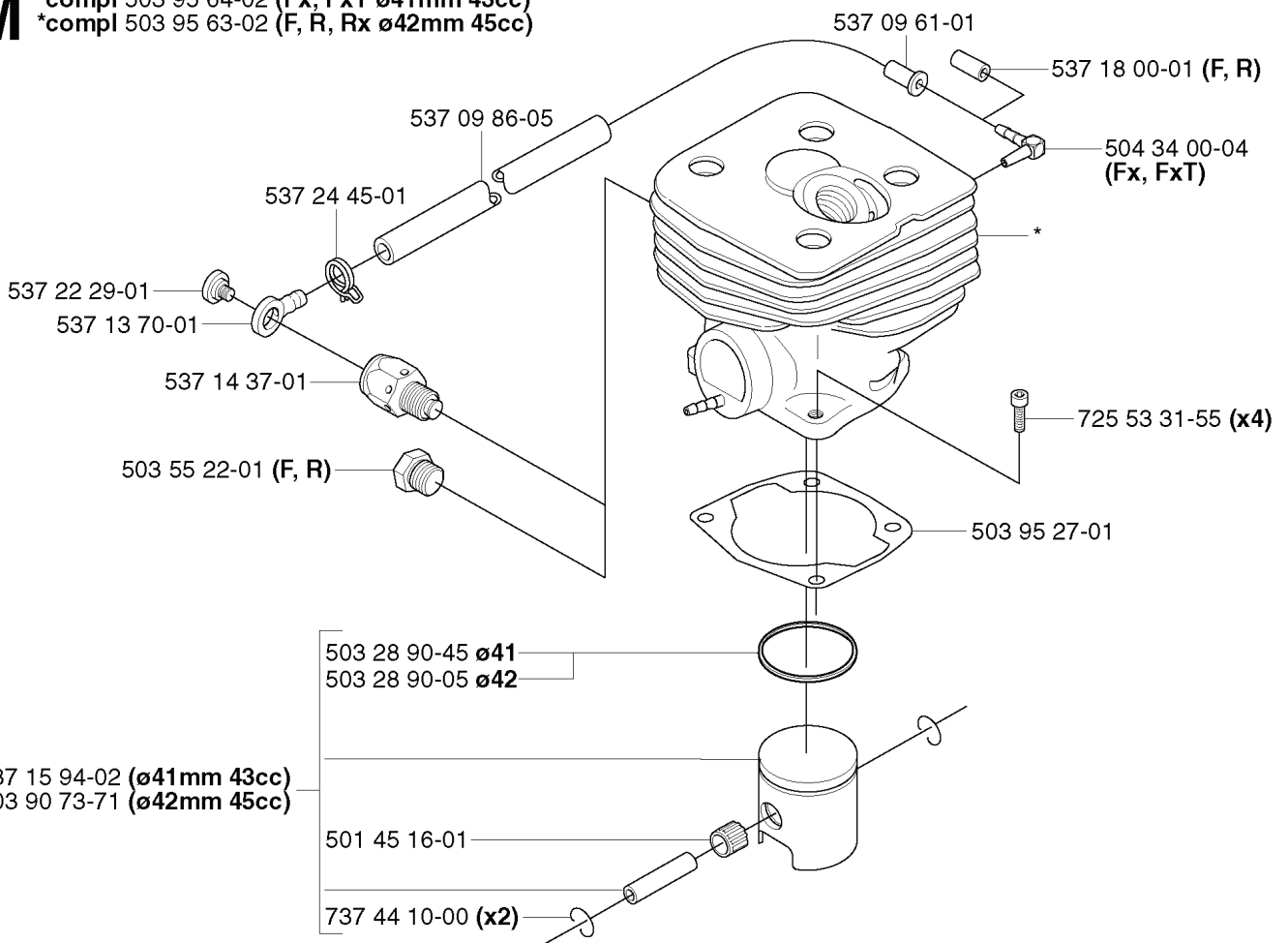
537 17 54-01 (x3)

503 99 61-01 (x3)



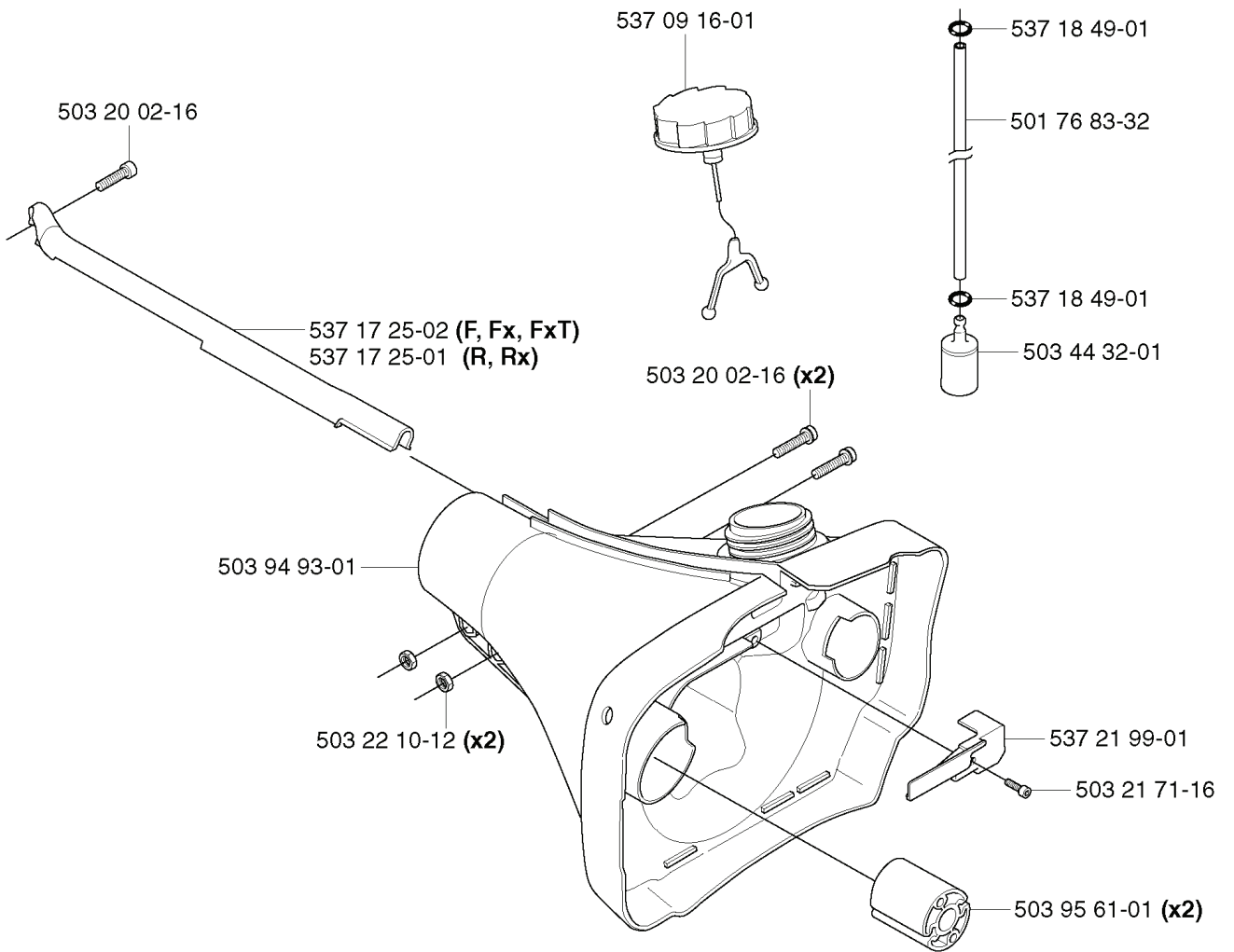
REF.	PART NO.	DESCRIPTION	REMARK	QTY.	KIT
537 27 57-01	537275701	HARNESS	343R, 343F	1	
537 27 57-03	537275703	HARNESS	US	1	
537 17 54-01	537175401	HIP PAD		3	
503 99 61-01	503996101	BAND		3	
537 27 59-01	537275901	HIP PAD		1	
537 28 84-01	537288401	BUCKLE		1	
503 99 61-03	503996103	BAND		1	
537 11 35-01	537113501	RETAINER		1	
537 28 83-01	537288301	BUCKLE		1	
735 31 09-20	735310920	E-CLIP		1	
502 02 29-02	502022902	HOOK		1	
502 02 38-01	502023801	SPRING		1	
502 02 30-02	502023002	LOCK		1	
502 02 28-01	502022801	HOOK		1	

M *compl 503 95 64-02 (Fx, FxT ø41mm 43cc)
*compl 503 95 63-02 (F, R, Rx ø42mm 45cc)



REF.	PART NO.	DESCRIPTION	REMARK	QTY.	KIT
5039564-02	503956402	CYLINDER ASSY	FX, FXT DIA.41MM 43CC	1	
5039563-02	503956302	CYLINDER ASSY	F, R, RX DIA.42MM 45CC	1	
5372229-01	537222901	SCREW		1	
5371370-01	537137001	NIPPLE		1	
5371437-01	537143701	DECOMPRESSION VALVE		1	
5035522-01	503552201	PLUG	F, R	1	
5371594-02	537159402	PISTON ASSY	DIA.41MM 43CC	1	
5039073-71	503907371	PISTON ASSY	DIA.42MM 45CC	1	
7374410-00	737441000	SNAP RING		2	
5014516-01	501451601	NEEDLE BEARING		1	
5032890-05	503289005	PISTON RING	DIA.42	1	
5032890-45	503289045	PISTON RING	DIA.41	1	
5372445-01	537244501	HOSE CLAMP		1	
5370986-05	537098605	HOSE		1	
5039527-01	503952701	GASKET		1	
7255331-55	725533155	SCREW IHSCM		4	
5043400-04	504340004	FITTING	FX, FXT	1	
5371800-01	537180001	PROTECTIVE CAP	F, R	1	
5370961-01	537096101	VALVE SLEEVE		1	

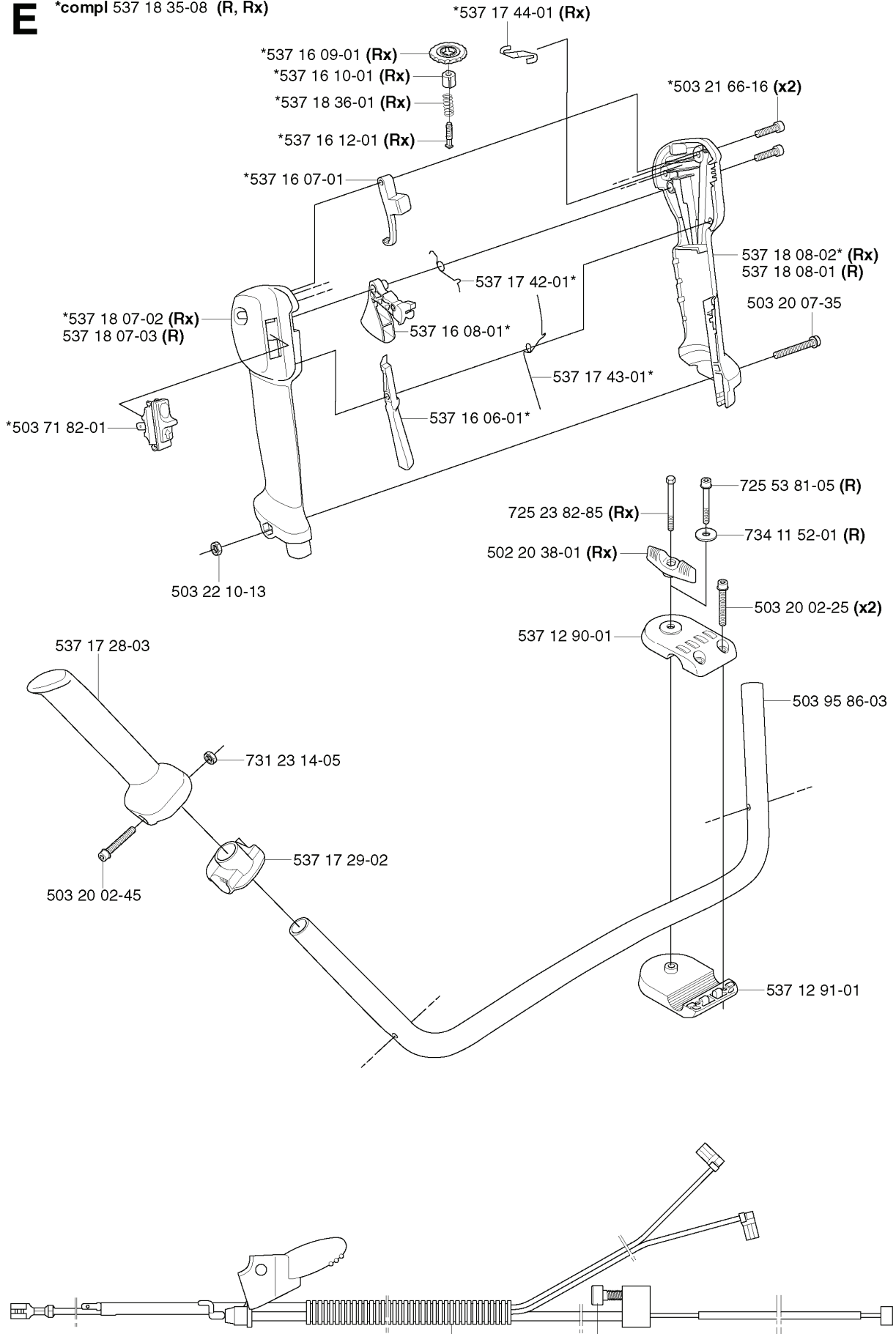
D



REF.	PART NO.	DESCRIPTION	REMARK	QTY.	KIT
503 20 02-16	503200216	SCREW IHSCFM		1	
503 94 93-01	503949301	FUEL TANK		1	
503 22 10-12	503221012	HEXAGON NUT		2	
537 17 25-01	537172501	COVER	R, RX	1	
537 17 25-02	537172502	COVER	F, FX, FXT	1	
537 09 16-01	537091601	TANK CAP		1	
503 21 71-16	503217116	SCREW IHSCF		1	
537 21 99-01	537219901	HOSE GUARD		1	
503 44 32-01	503443201	FUEL FILTER		1	
501 76 83-32	501768332	FUEL HOSE		1	
537 18 49-01	537184901	O-RING		1	

E

*compl 537 18 35-08 (R, Rx)



**compl 503 95 39-01 **503 21 66-16

REF.	PART NO.	DESCRIPTION	REMARK	QTY.	KIT
537 18 35-08	537183508	HANDLE SYSTEM	R, RX	1	
537 18 07-02	537180702	HANDLE HALF	RX	1	
537 18 07-03	537180703	HANDLE HALF	R	1	
503 71 82-01	503718201	SWITCH		1	
503 22 10-13	503221013	HEXAGON NUT		1	
537 17 28-03	537172803	HANDLE		1	
503 20 02-45	503200245	SCREW IHSCFM		1	
537 17 29-02	537172902	BRACKET		1	
731 23 14-05	731231405	HEXAGON NUT		1	
537 16 09-01	537160901	STEERING WHEEL	RX	1	
537 16 10-01	537161001	HUB	RX	1	
537 18 36-01	537183601	SPRING	RX	1	
537 16 12-01	537161201	SCREW	RX	1	
537 16 07-01	537160701	THROTTLE LOCKOUT		1	
537 16 08-01	537160801	THROTTLE TRIGGER		1	
537 16 06-01	537160601	THROTTLE LOCKOUT		1	
503 95 39-01	503953901	WIRING		1	
537 12 90-01	537129001	HANDLEBAR BRACKET		1	
502 20 38-01	502203801	KNOB	RX	1	
725 23 82-85	725238285	SCREW EHHM	RX	1	
537 17 43-01	537174301	SPRING		1	
537 17 42-01	537174201	SPRING THROTTLE TRIG		1	
537 17 44-01	537174401	SPRING	RX	1	
537 12 91-01	537129101	HANDLE BRACKET		1	
503 95 86-03	503958603	HANDLEBAR		1	
503 20 02-25	503200225	SCREW IHSCFM		2	
734 11 52-01	734115201	WASHER	R	1	
725 53 81-05	725538105	SCREW IHSCM	R	1	
503 20 07-35	503200735	SCREW IHSCFM		1	
537 18 08-01	537180801	HANDLE HALF	R	1	
537 18 08-02	537180802	HANDLE HALF	RX	1	
503 21 66-16	503216616	SCREW IHST		2	