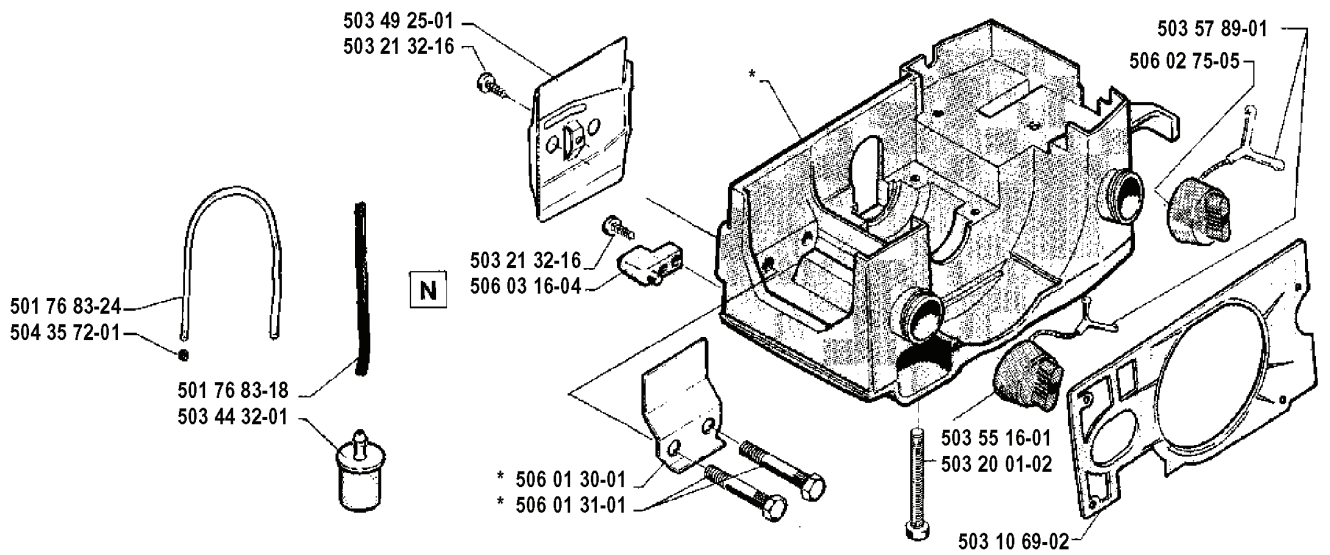


40, 19912200001-19952300000

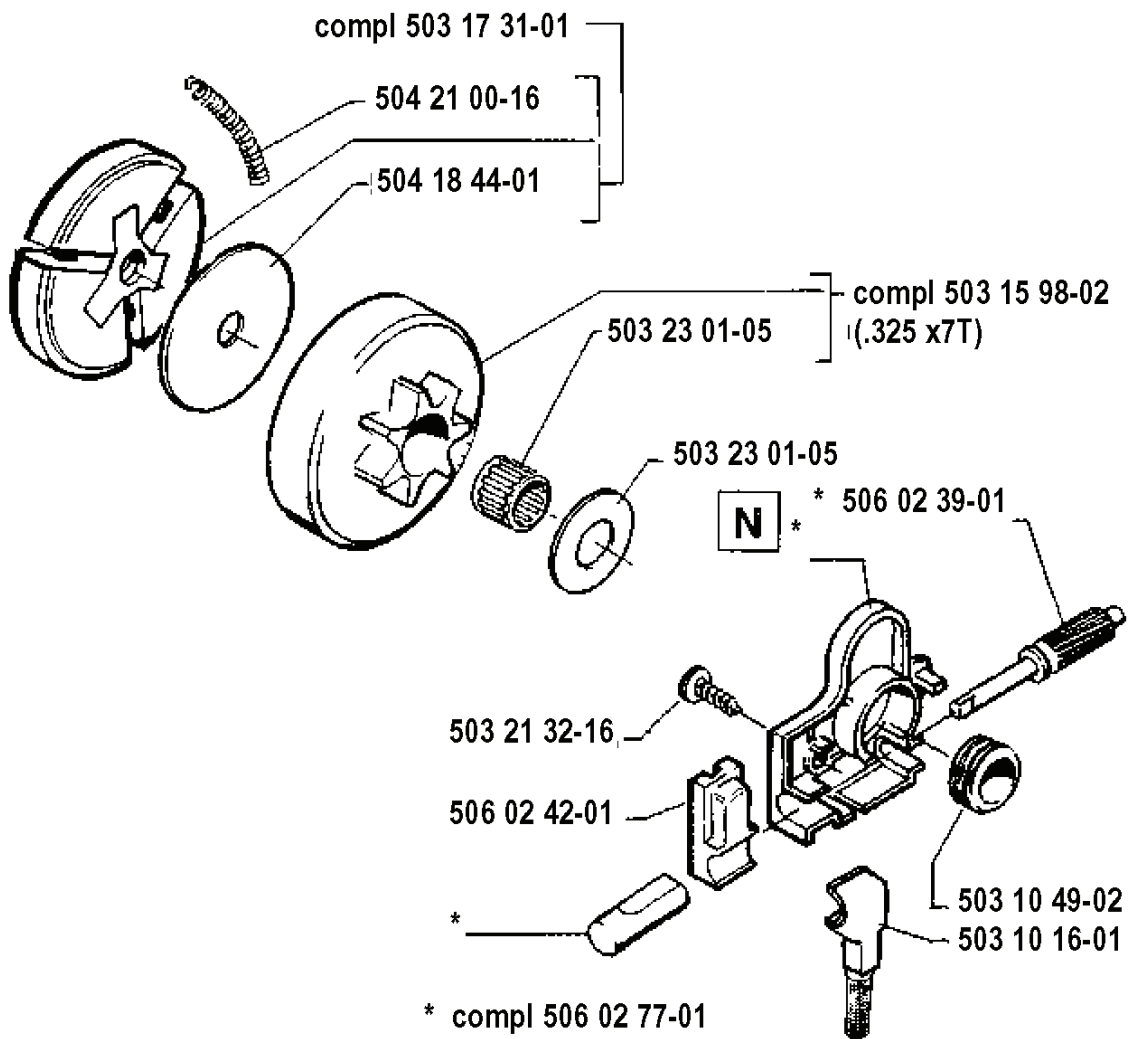
SPARE PARTS LIST

K * compl 503 49 82-02

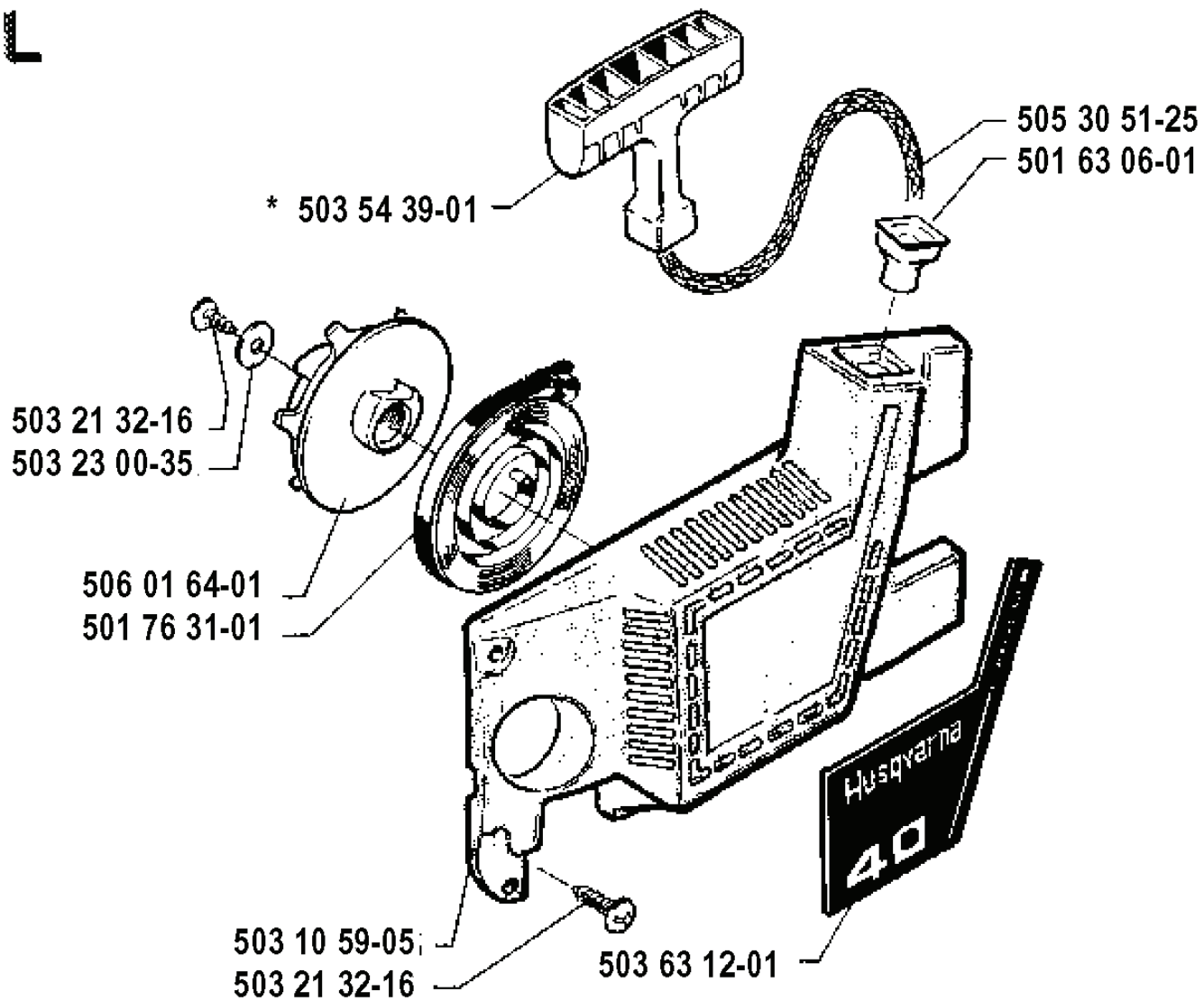


REF.	PART NO.	DESCRIPTION	REMARK	QTY.	KIT
503 49 82-02	503498202	TANK ASSY		1	
501 76 83-24	501768324	FUEL HOSE		1	
504 35 72-01	504357201	PLUG		1	
501 76 83-18	501768318	FUEL HOSE		1	
503 44 32-01	503443201	FUEL FILTER		1	
506 01 31-01	506013101	BAR BOLT		1	
506 01 30-01	506013001	HEAT PROTECTOR		1	
506 03 16-04	506031604	CHAIN CATCHER		1	
503 21 32-16	503213216	SCREW CITXPANT		1	
503 49 25-01	503492501	CHAIN GUIDE PLATE		1	
503 10 69-02	503106902	AIR CONDUCTOR		1	
503 20 01-02	503200102	SCREW EHHFMO		1	
503 55 16-01	503551601	TANK CAP ASSY		1	
506 02 75-05	506027505	TANK CAP ASSY		1	
503 57 89-01	503578901	HOLDER		1	

J



REF.	PART NO.	DESCRIPTION	REMARK	QTY.	KIT
503 17 31-01	503173101	CLUTCH ASSY		1	
504 21 00-16	504210016	CLUTCH SPRING		1	
504 18 44-01	504184401	WASHER		1	
503 21 32-16	503213216	SCREW CITXPANT		1	
506 02 42-01	506024201	PRESSURE PIPE		1	
506 02 77-01	506027701	OIL PUMP ASSY		1	
503 10 16-01	503101601	SUCTION HOSE ASSY		1	
503 10 49-02	503104902	PUMP PINION		1	
506 02 39-01	506023901	PUMP PISTON		1	
503 23 01-05	503230105	WASHER		1	
503 15 98-02	503159802	CLUTCH DRUM	.325 X7T	1	

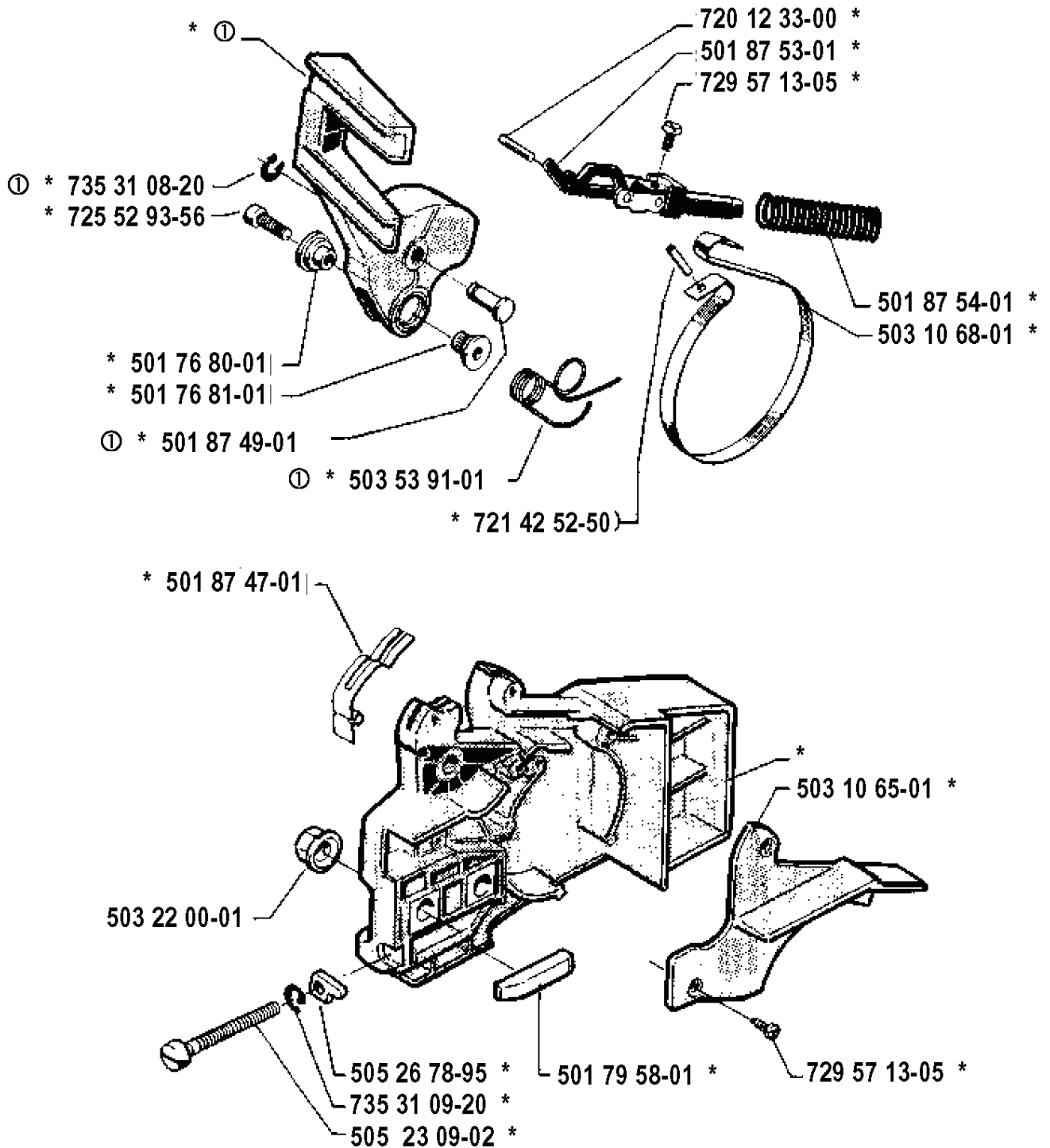


REF.	PART NO.	DESCRIPTION	REMARK	QTY.	KIT
5035439-01	503543901	STARTER HANDLE		1	
5032132-16	503213216	SCREW CITXPANT		1	
5032300-35	503230035	WASHER		1	
5060164-01	506016401	STARTER PULLEY		1	
5017631-01	501763101	SPRING CASSETTE ASSY		1	
5031059-05	503105905	STARTER HOUSING		1	
5036312-01	503631201	DECAL		1	
5016306-01	501630601	SLEEVE		1	
5053051-25	505305125	STARTER ROPE		1	

A

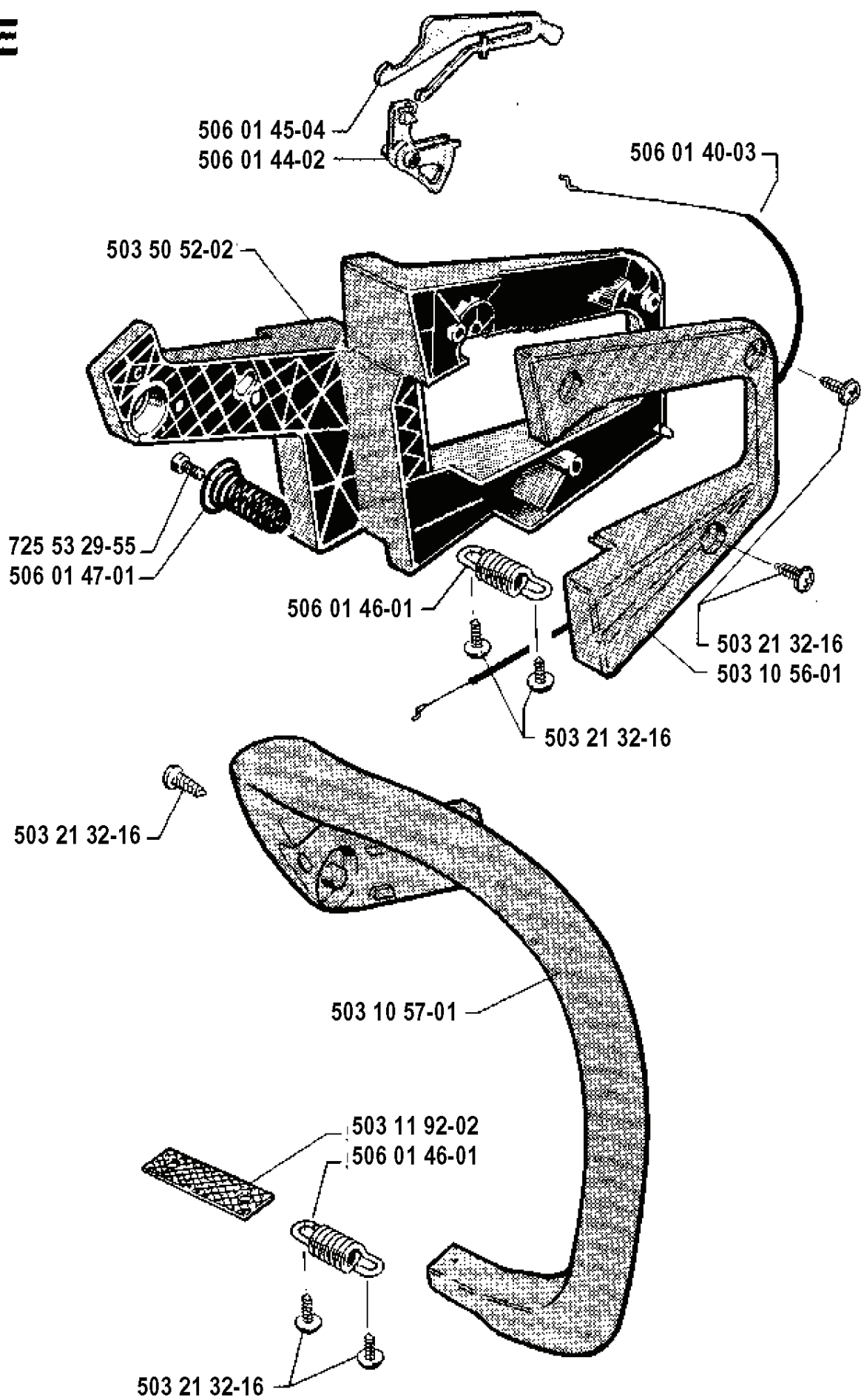
* compl 503 10 63-01

① compl 503 10 66-02



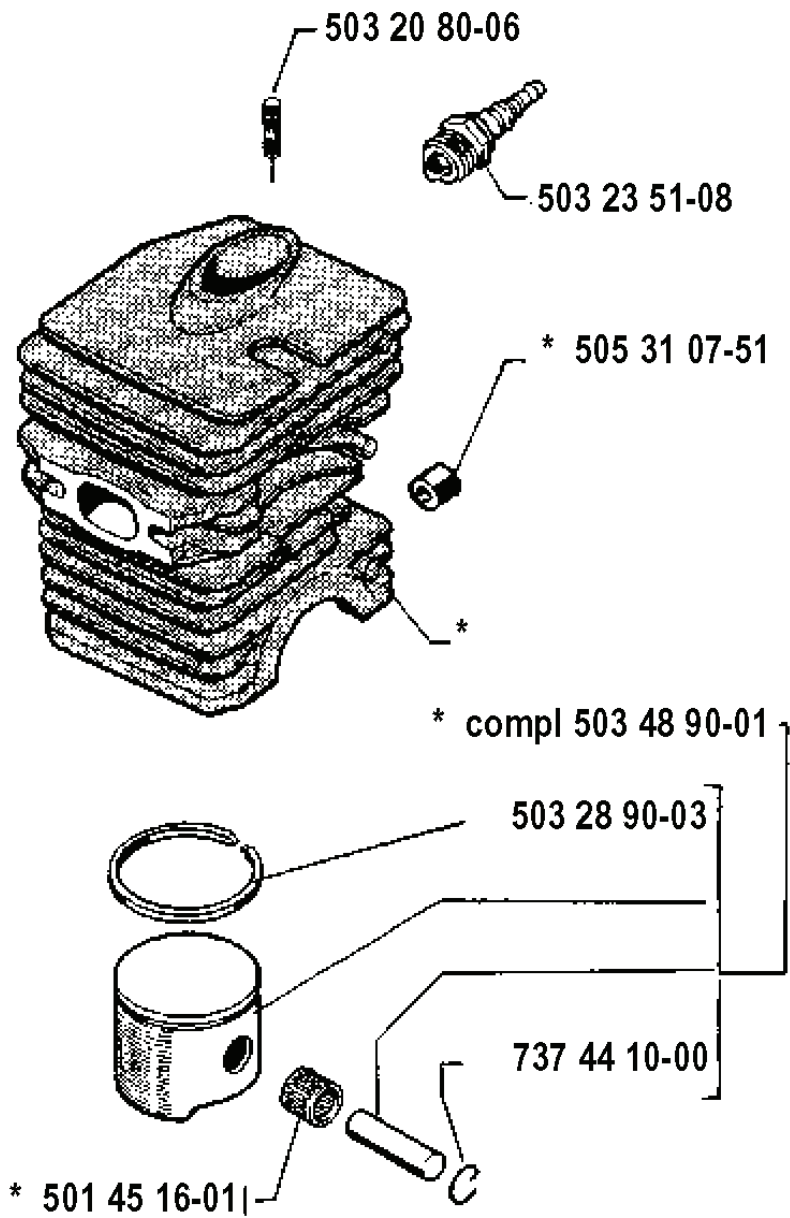
REF.	PART NO.	DESCRIPTION	REMARK	QTY.	KIT
503 10 63-01	503106301	CHAIN BRAKE ASSY		1	
503 10 66-02	503106602	HAND GUARD ASSY		1	
735 31 08-20	735310820	E-CLIP		1	
725 52 93-56	725529356	SCREW IHSCM		1	
501 76 80-01	501768001	SHAFT		1	
501 76 81-01	501768101	SHAFT		1	
501 87 49-01	501874901	PIVOT PIN		1	
503 53 91-01	503539101	POSITION SPRING		1	
721 42 52-50	721425250	SPRING PIN		1	
501 87 47-01	501874701	SPRING		1	
503 22 00-01	503220001	HEXAGON NUT		1	
505 26 78-95	505267895	PAWL		1	
735 31 09-20	735310920	E-CLIP		1	
505 23 09-02	505230902	SCREW		1	
501 79 58-01	501795801	CHAIN GUIDE		1	
729 57 13-05	729571305	SCREW CRPANT		1	
503 10 65-01	503106501	HUB CAP		1	
503 10 68-01	503106801	BRAKE BAND		1	
501 87 54-01	501875401	BRAKE SPRING		1	
501 87 53-01	501875301	KNEE JOINT ASSY		1	
720 12 33-00	720123300	PARALLEL PIN		1	

E



REF.	PART NO.	DESCRIPTION	REMARK	QTY.	KIT
506 01 45-04	506014504	THROTTLE LOCKOUT		1	
506 01 44-02	506014402	THROTTLE TRIGGER		1	
503 50 52-02	503505202	HANDLE HALF		1	
725 53 29-55	725532955	SCREW IHSCM		1	
506 01 47-01	506014701	ANTIVIBRATION ELEMENT		1	
503 21 32-16	503213216	SCREW CITXPANT		1	
506 01 46-01	506014601	ANTIVIBRATION ELEMENT		1	
503 11 92-02	503119202	STRAP		1	
503 10 57-01	503105701	FRONT HANDLE		1	
503 10 56-01	503105601	HANDLE HALF		1	
506 01 40-03	506014003	GAS WIRE ASSY		1	

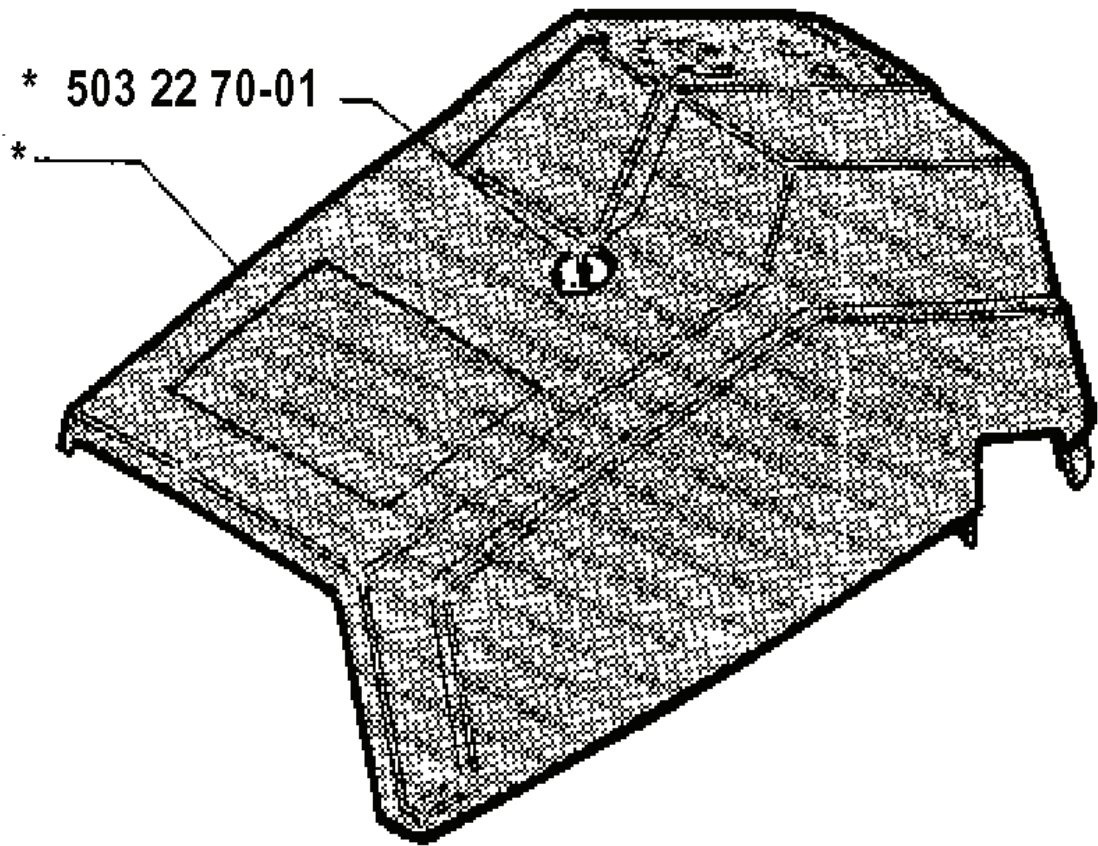
C * compl 506 01 06-07



REF.	PART NO.	DESCRIPTION	REMARK	QTY.	KIT
506 01 06-07	506010607	CYLINDER ASSY		1	
501 45 16-01	501451601	NEEDLE BEARING		1	
737 44 10-00	737441000	SNAP RING		1	
503 28 90-03	503289003	PISTON RING		1	
503 48 90-01	503489001	PISTON ASSY		1	
505 31 07-51	505310751	IMPULSE HOSE		1	
503 23 51-08	503235108	SPARK PLUG		1	
503 20 80-06	503208006	SCREW		1	

B

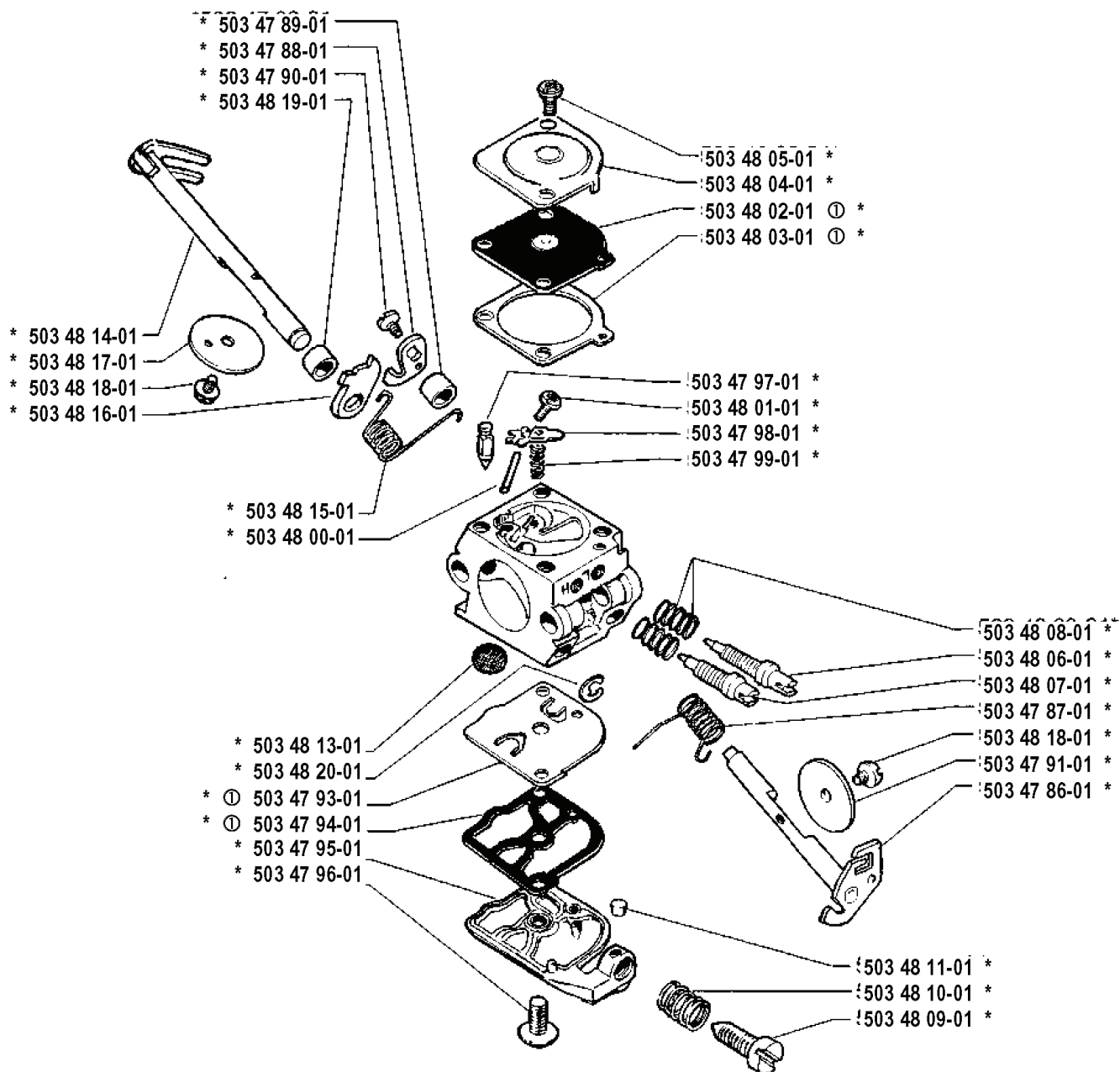
- * compl 503 10 61-01
- * compl 503 50 20-01 (USA)



REF.	PART NO.	DESCRIPTION	REMARK	QTY.	KIT
503 10 61-01	503106101	CYLINDER COVER		1	
503 50 20-01	503502001	CYLINDER COVER ASSY	USA	1	
503 22 70-01	503227001	NUT		1	

M * compl 503 28 31-01

ZAMA C1Q-EL1

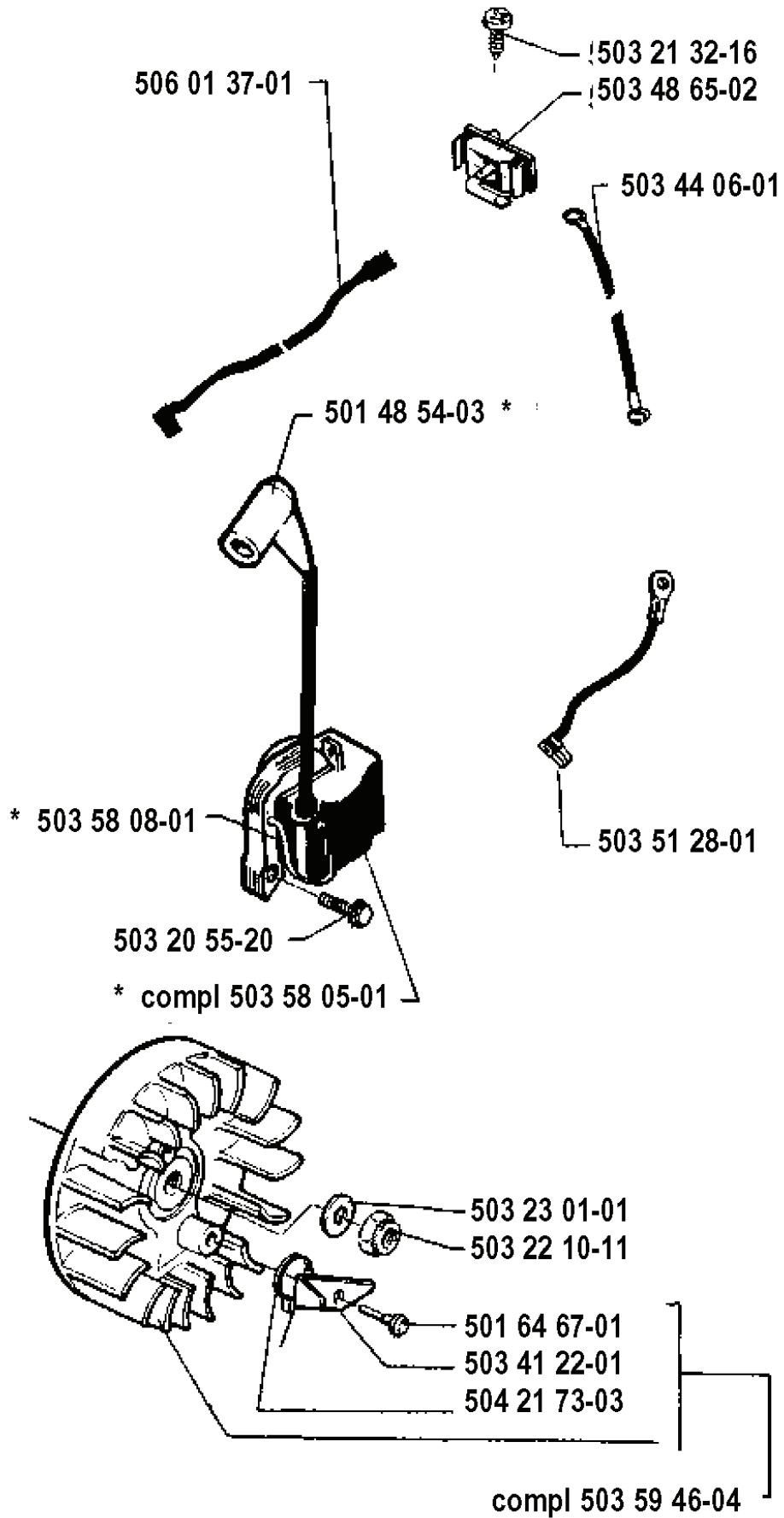


(① 503 48 21-01

Set of gaskets
Dichtungssatz
Jeu de joints
Juego de Juntas
Packningssats

REF.	PART NO.	DESCRIPTION	REMARK	QTY.	KIT
503 28 31-01	503283101	CARBURETTOR		1	
503 47 89-01	503478901	COLLAR		1	
503 47 88-01	503478801	LEVER		1	
503 47 90-01	503479001	SCREW		1	
503 48 19-01	503481901	COLLAR		1	
503 48 14-01	503481401	SHAFT ASSY		1	
503 48 17-01	503481701	VALVE		1	
503 48 16-01	503481601	LEVER		1	
503 48 15-01	503481501	SPRING		1	
503 48 00-01	503480001	PIN RETAINING SCREW		1	
503 48 13-01	503481301	STRAINER		1	
503 48 20-01	503482001	CLIP		1	
503 47 93-01	503479301	DIAPHRAGM PUMP	503 48 21-01 SET OF GASKETS	1	
503 47 94-01	503479401	GASKET	503 48 21-01 SET OF GASKETS	1	
503 47 95-01	503479501	COVER		1	
503 47 96-01	503479601	SCREW		1	
503 48 09-01	503480901	SCREW		1	
503 48 10-01	503481001	SPRING		1	
503 48 11-01	503481101	PIECE		1	
503 47 86-01	503478601	SHAFT ASSY		1	
503 47 91-01	503479101	VALVE		1	
503 48 18-01	503481801	SCREW		1	
503 47 87-01	503478701	SPRING		1	
503 48 07-01	503480701	SCREW		1	
503 48 06-01	503480601	SCREW		1	
503 48 08-01	503480801	SPRING		1	
503 47 99-01	503479901	SPRING		1	
503 47 98-01	503479801	LEVER		1	
503 48 01-01	503480101	SCREW		1	
503 47 97-01	503479701	VALVE		1	
503 48 03-01	503480301	GASKET	503 48 21-01 SET OF GASKETS	1	
503 48 02-01	503480201	DIAPHRAGM	503 48 21-01 SET OF GASKETS	1	
503 48 04-01	503480401	COVER		1	
503 48 05-01	503480501	SCREW		1	

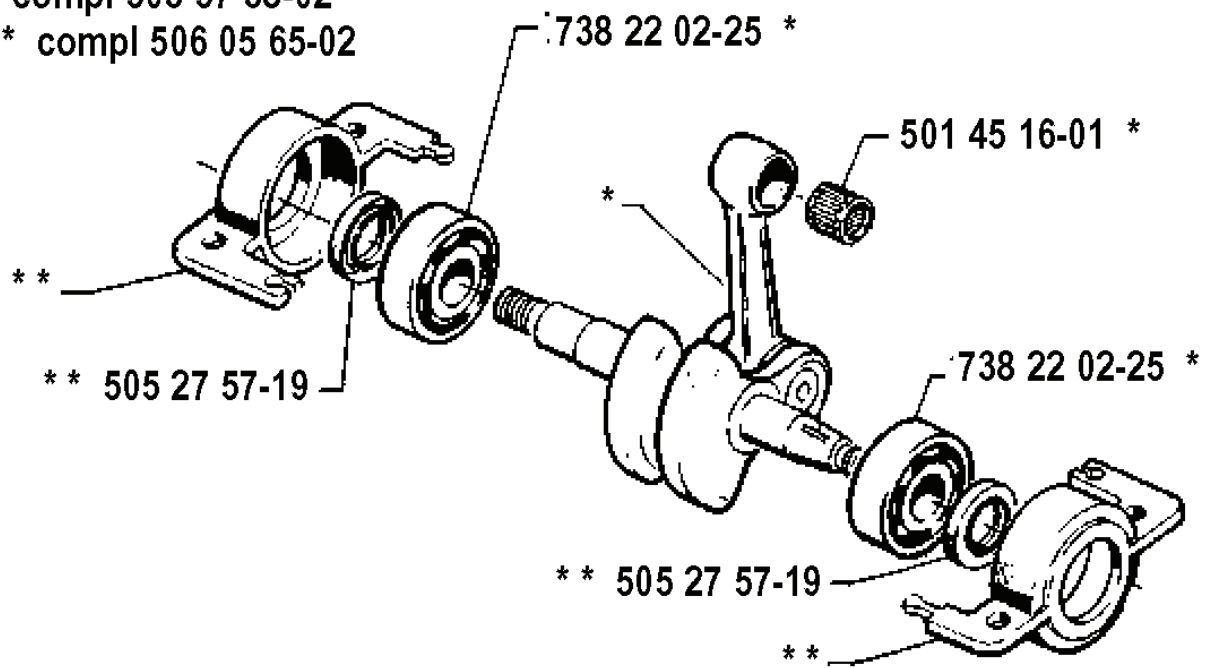
H



REF.	PART NO.	DESCRIPTION	REMARK	QTY.	KIT
506 01 37-01	506013701	CABLE		1	
501 48 54-03	501485403	SPARK PLUG CAP		1	
503 58 08-01	503580801	LOCKING SPRING		1	
503 20 55-20	503205520	SCREW CITXPANM		1	
503 58 05-01	503580501	IGNITION MODULE		1	
503 23 01-01	503230101	WASHER		1	
503 22 10-11	503221011	HEXAGON NUT		1	
501 64 67-01	501646701	TAPP STARTHAKE		1	
503 41 22-01	503412201	STARTER PAWL		1	
504 21 73-03	504217303	SPRING		1	
503 59 46-04	503594604	FLYWHEEL ASSY		1	
503 51 28-01	503512801	GROUND CABLE		1	
503 44 06-01	503440601	GROUND CABLE		1	
503 48 65-02	503486502	STOP SWITCH		1	
503 21 32-16	503213216	SCREW CITXPANT		1	

G

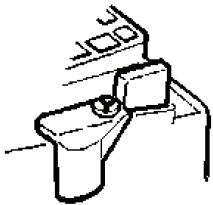
* compl 503 57 38-02
** compl 506 05 65-02



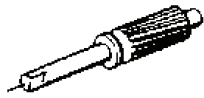
REF.	PART NO.	DESCRIPTION	REMARK	QTY.	KIT
503 57 38-02	503573802	CRANKSHAFT ASSY		1	
506 05 65-02	506056502	SEAL		1	
505 27 57-19	505275719	SEALING RING		1	
501 45 16-01	501451601	NEEDLE BEARING		1	
738 22 02-25	738220225	BALL BEARING		1	

N

**Accessories
Zubehöre
Accessoires
Accessorios
Tillbehör**

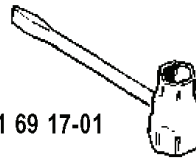


503 52 74-01

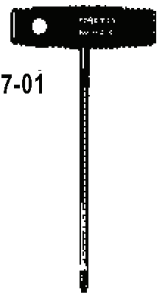


506 02 39-02
VEG.OIL

501 69 17-01



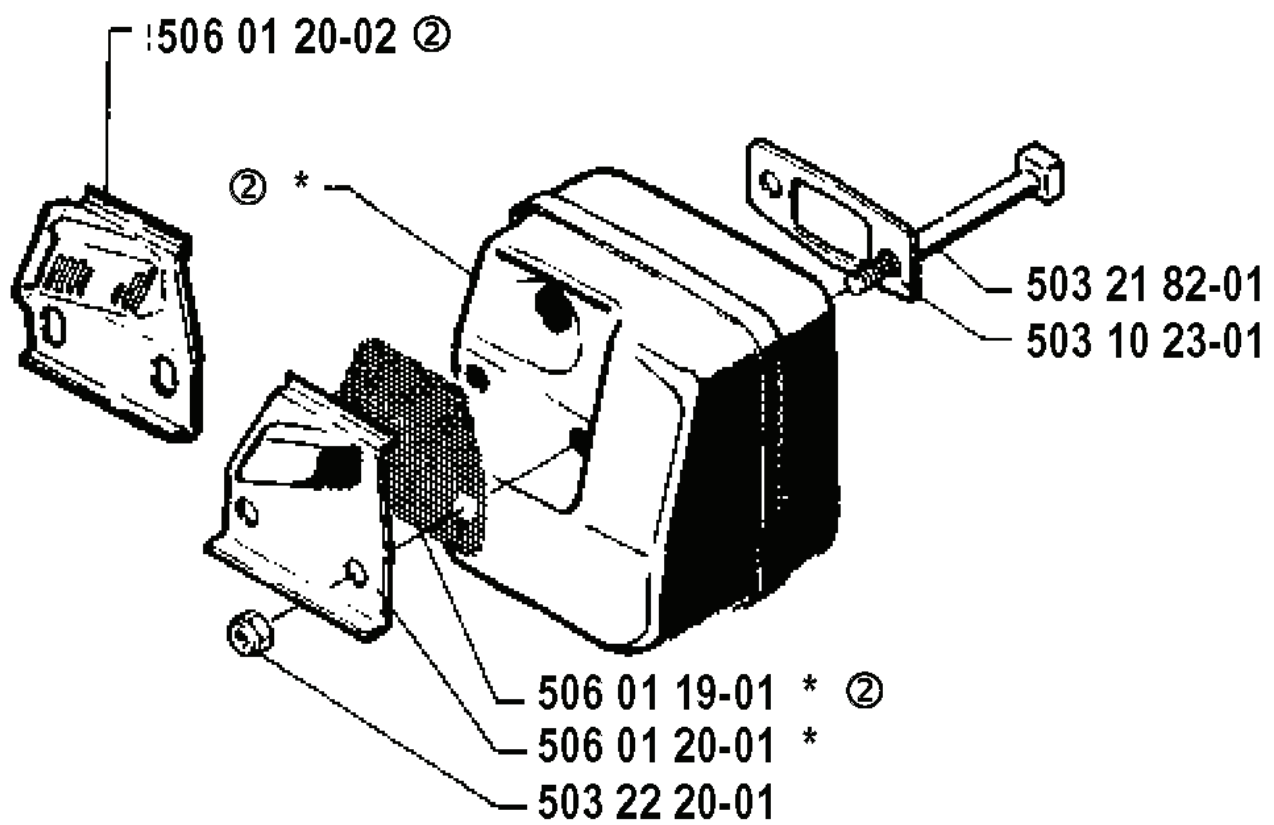
502 71 27-01



506 01 49-01

REF.	PART NO.	DESCRIPTION	REMARK	QTY.	KIT
5035274-01	503527401	PEN		1	
5060239-02	506023902	PUMP PISTON	VEG.OIL	1	
5060149-01	506014901	SPIKE		1	
5016917-01	501691701	COMBINATION WRENCH		1	
5027127-01	502712701	WRENCH		1	

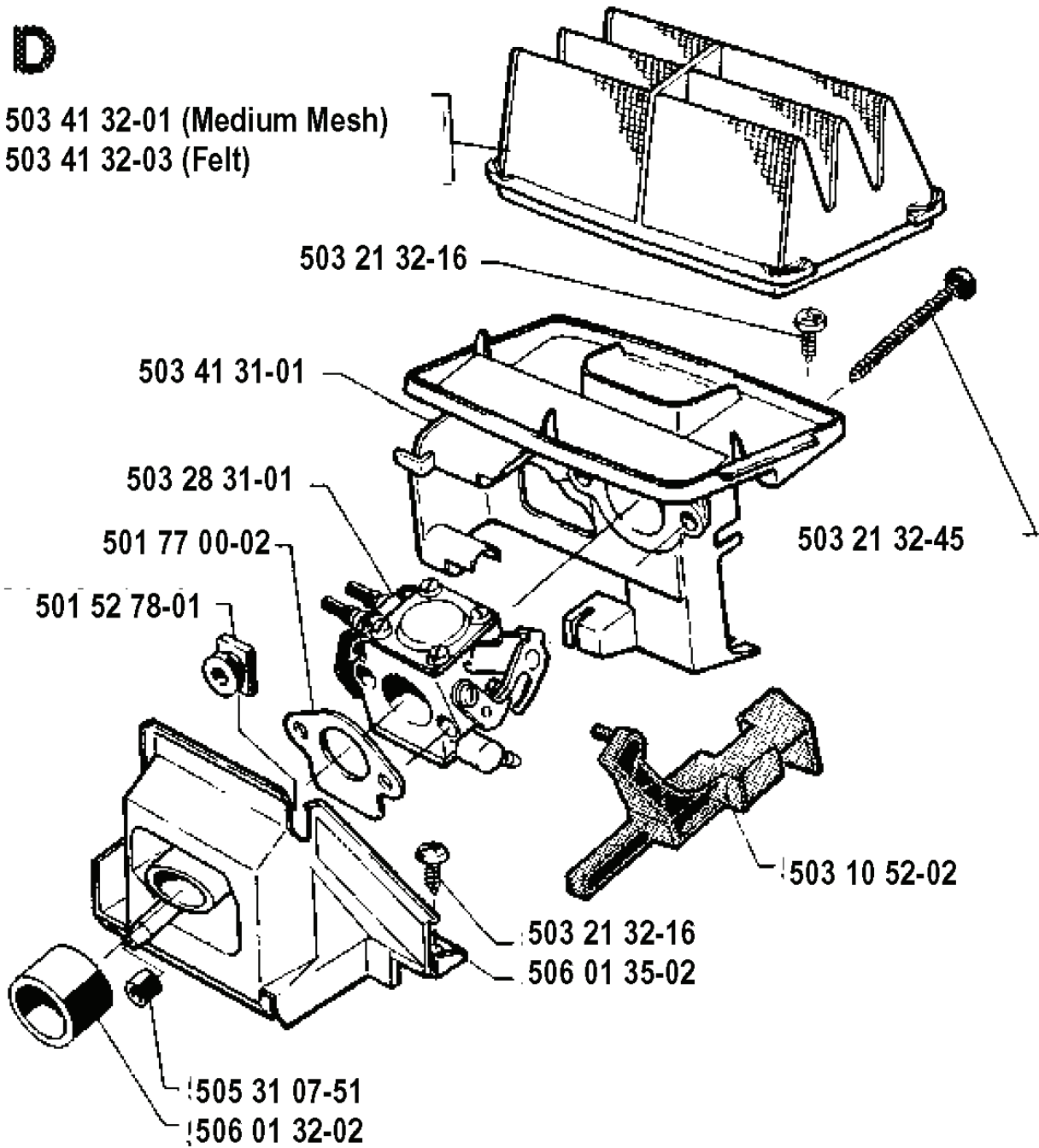
F * compl 503 59 51-01
(② compl 503 59 51-02 (USA)



REF.	PART NO.	DESCRIPTION	REMARK	QTY.	KIT
5035951-01	503595101	MUFFLER KIT		1	
5035951-02	503595102	MUFFLER KIT	USA	1	
5060120-02	506012002	GAS CONDUIT		1	
5032220-01	503222001	LOCK NUT		1	
5060120-01	506012001	GAS CONDUIT		1	
5060119-01	506011901	SPARK ARRESTER		1	
5031023-01	503102301	MUFFLER GASKET		1	
5032182-01	503218201	SCREW		1	

D

503 41 32-01 (Medium Mesh)
503 41 32-03 (Felt)



REF.	PART NO.	DESCRIPTION	REMARK	QTY.	KIT
503 41 32-01	503413201	AIR FILTER	MEDIUM MESH	1	
503 41 32-03	503413203	AIR FILTER	FELT	1	
503 21 32-16	503213216	SCREW CITXPANT		1	
503 41 31-01	503413101	AIR FILTER HOLDER		1	
503 28 31-01	503283101	CARBURETTOR		1	
501 77 00-02	501770002	GASKET		1	
501 52 78-01	501527801	GROMMET		1	
505 31 07-51	505310751	IMPULSE HOSE		1	
506 01 32-02	506013202	INLET PIPE		1	
506 01 35-02	506013502	INSULATION WALL		1	
503 10 52-02	503105202	CHOKE CONTROL		1	
503 21 32-45	503213245	SCREW CITXPANT		1	