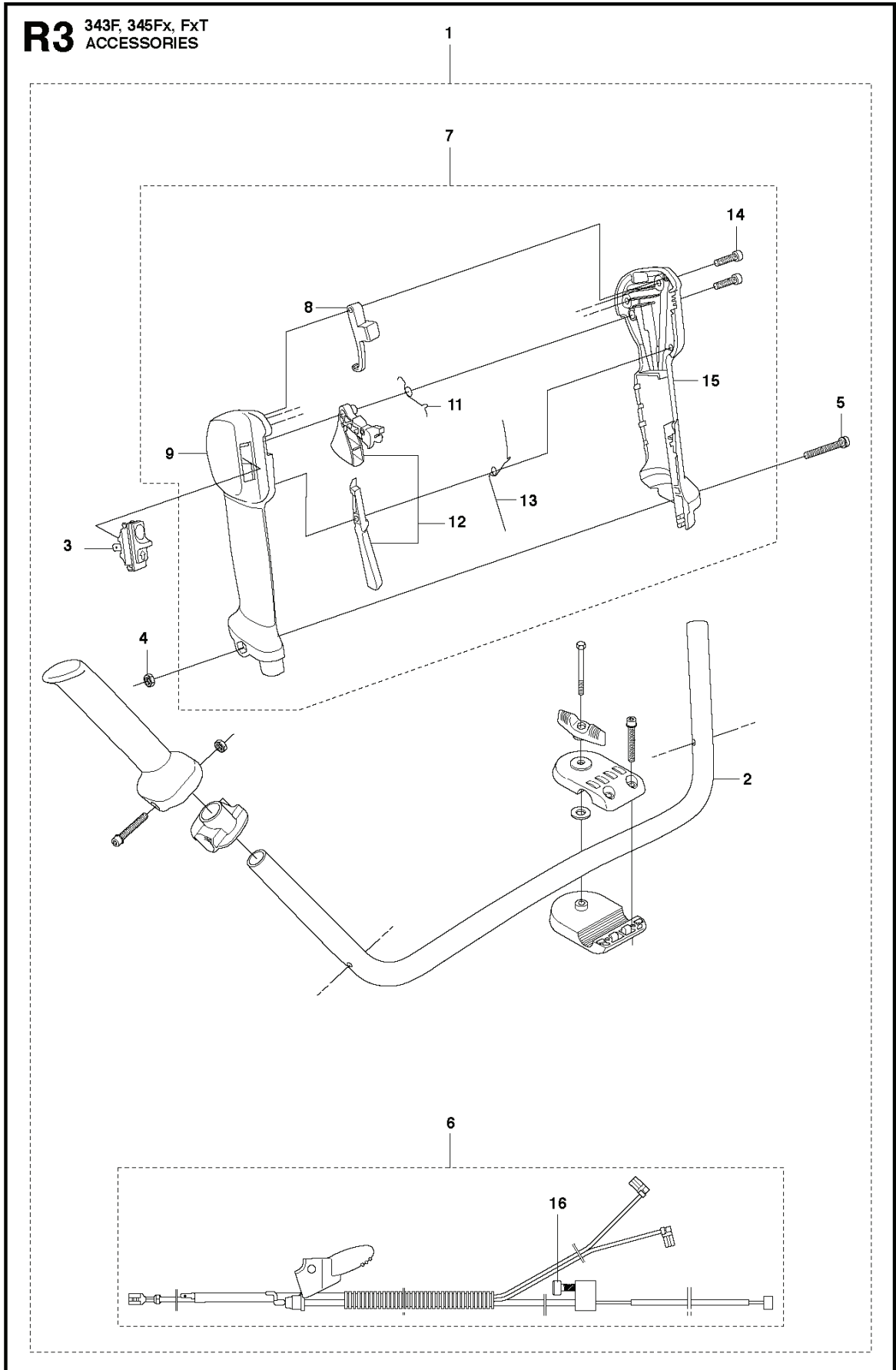


343 F, 20110600001-Current

---

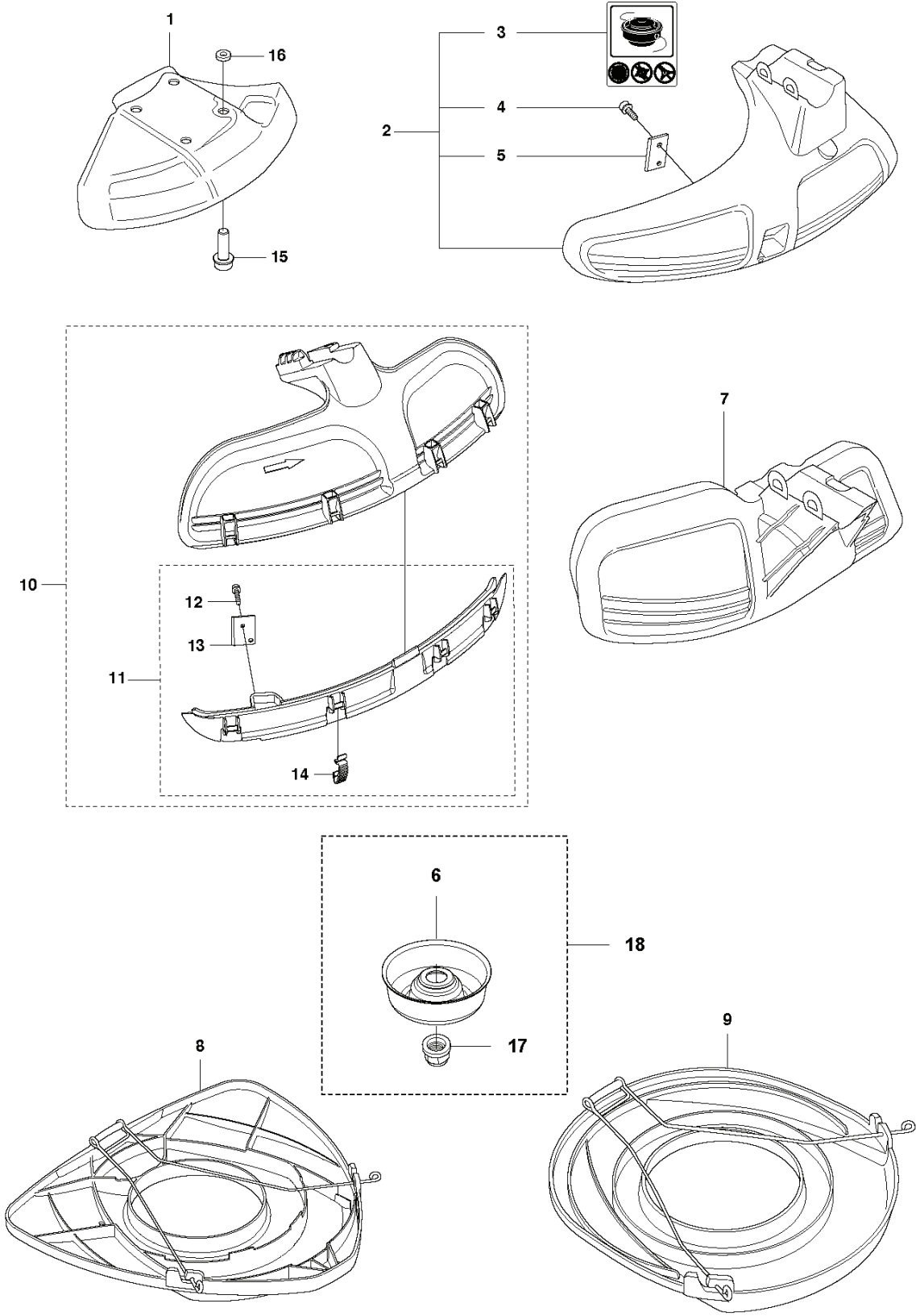
# **SPARE PARTS LIST**

**R3** 343F, 345Fx, FxT  
ACCESSORIES



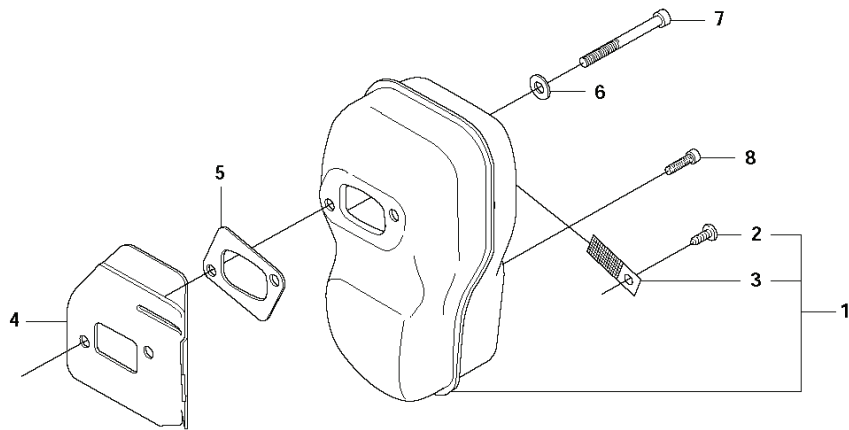
REF.	PART NO.	DESCRIPTION	REMARK	QTY.	KIT
1	510118801	KIT	F, Fx, FxT Canada	1	
2	503958603	HANDLEBAR		1	1
3	537419001	SWITCH		1	1
4	503221013	HEXAGON NUT		1	1
5	503200735	SCREW IHSCFM		1	1
6	544977802	WIRING ASSY		1	1
7	504209804	THROTTLE HANDLE ASSY		1	1
8	537160701	THROTTLE LOCKOUT		1	1.7
9	537180711	HANDLE HALF		1	1.7
11	537174201	SPRING THROTTLE TRIG		1	1.7
12	506497701	THROTTLE CONTROL		1	1.7
13	537174301	SPRING		1	1.7
14	503216618	SCREW IHSCF		2	1.7
15	537180811	HANDLE HALF		1	1.7
16	503216616	SCREW IHSCF		1	1.6.7

**R2** 343R, F, FR, 345Rx, Fx, FxT  
ACCESSORIES



REF.	PART NO.	DESCRIPTION	REMARK	QTY.	KIT
1	574506702	SAW BLADE GUARD	225 mm Sawblade guard	1	
1	574532601	BLADE GUARD	200 mm Sawblade guard	1	
2	503954301	TRIMMER GUARD ASSY	Trimmer guard	1	
3	503742901	DECAL		1	2
4	503210716	SCREW IH SCT		1	2
5	503798801	BLADE		1	2
6	544380201	SUPPORT CUP		1	
7	537288501	BLADE GUARD	Grassblade guard	1	
8	544359101	TRANSPORT GUARD	300-350 mm, Transport guard	1	
9	537312901	TRANSPORT GUARD	200-275 mm, Transport guard	1	
10	544464301	COMBINATION GUARD	Kombi guard	1	
11	537396301	SPLASH GUARD		1	10
12	503210716	SCREW IH SCT		1	10
13	503798801	BLADE		1	10
14	537387201	SNAP LOCKING		4	10
15	503200316	SCREW IHSCFM		1	
16	574039501	LOCK NUT		1	
17	502291101	BLADE NUT		1	
18	535334401	SUPPORT CUP		1	

**H** 343R, F, FR, 345Rx, Fx, FxT  
MUFFLER

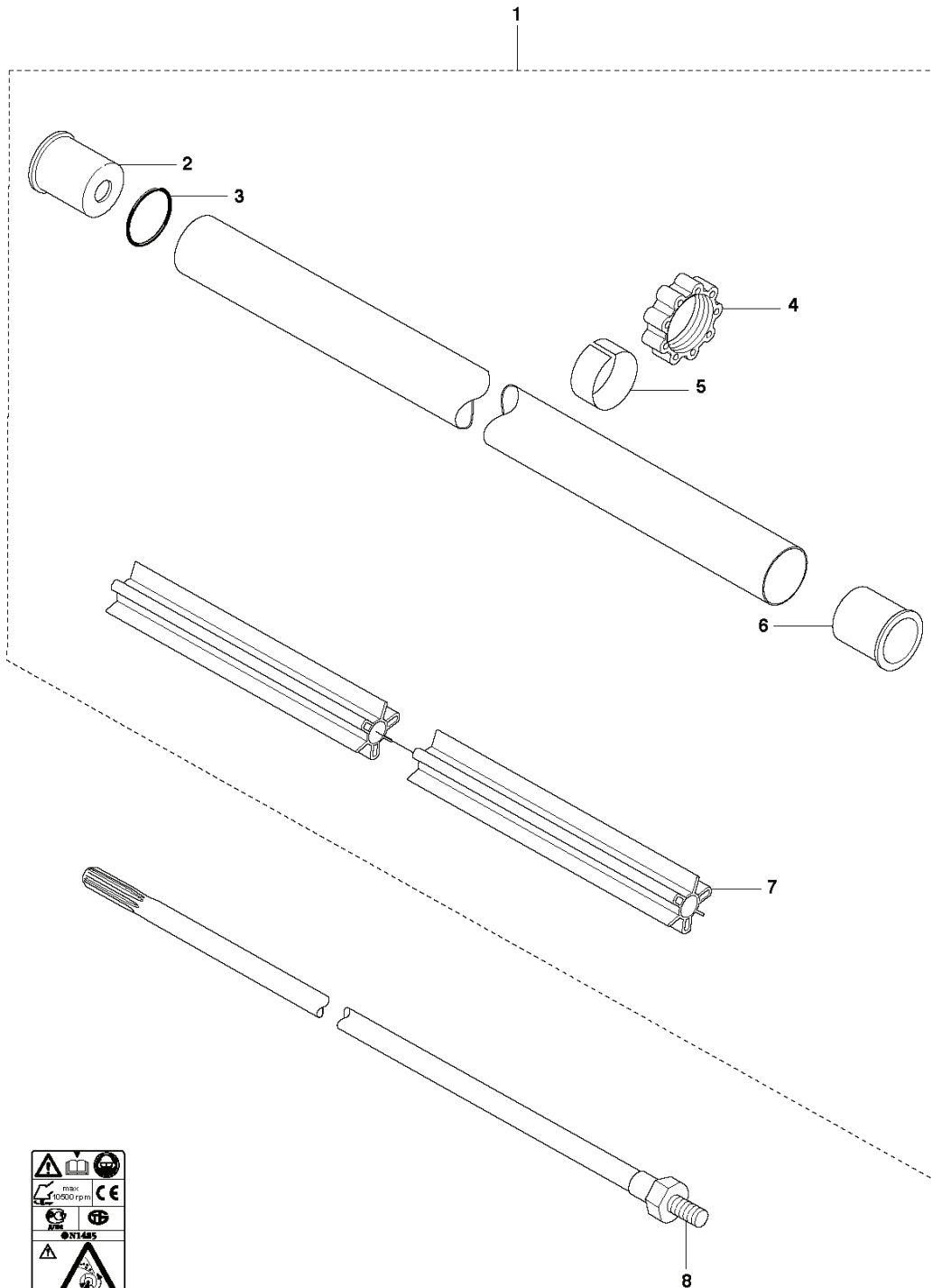


---

REF.	PART NO.	DESCRIPTION	REMARK	QTY.	KIT
1	503949001	MUFFLER ASSY	CAT	1	
1	503949002	MUFFLER ASSY		1	
2	724128759	SCREW CRPANM		1	1
3	537270901	SPARK ARRESTER SCREEN		1	1
4	537228501	HEAT DEFLECTOR		1	
5	537198701	GASKET		1	
6	503230402	WASHER		2	
7	503202970	SCREW IHSCFM		2	
8	503200302	SCREW IHSCFM		1	



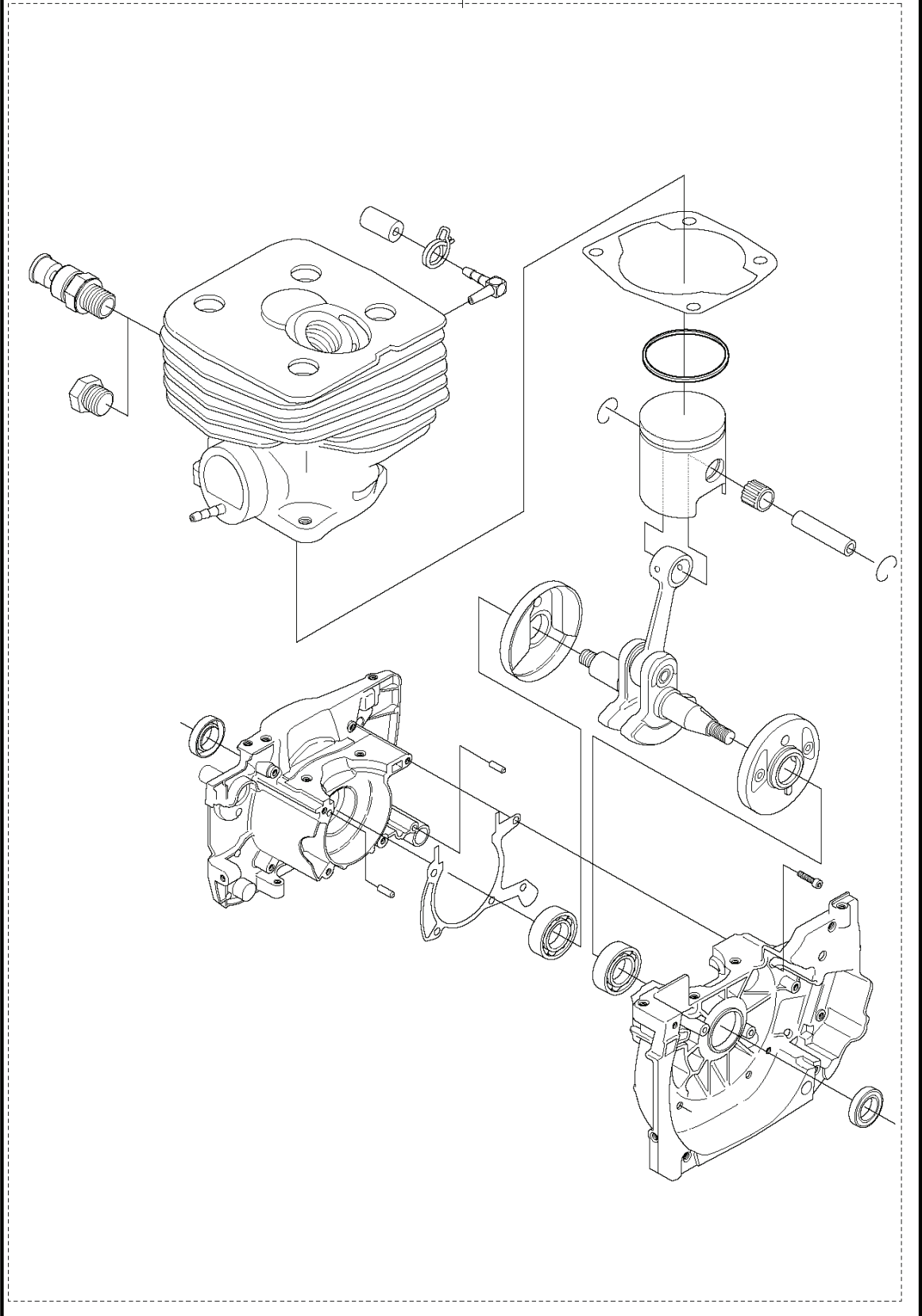
**B** 343R, F, FR, 345Rx, Fx, FxT  
SHAFT



REF.	PART NO.	DESCRIPTION	REMARK	QTY.	KIT
1	537279203	TUBE	F, Fx, FxT L=1354 ø32.2	1	
1	537279208	TUBE	R, Rx L=1465 ø32.2	1	
1	537279210	TUBE	FR L=1384 ø32.2	1	
2	544029401	SPACER	F, FR, Fx, FxT	1	1
3	506110301	O-RING		1	1
4	537309801	ANTIVIBRATION ELEMENT		1	1
5	537309701	TAPE		1	1
6	544029401	SPACER	F, FR, Fx, FxT	1	1
7	537183104	GUIDE	F, Fx, FxT, R, Rx	1	1
7	537183105	GUIDE	FR	1	1
8	503955401	DRIVE SHAFT	F, Fx, FxT L=1401 ø9, hollowed	1	
8	503955402	DRIVE SHAFT	R, Rx L=1512 ø9, hollowed	1	
8	503924401	DRIVE SHAFT	F, Fx, FxT L=1401 ø9, solid	1	
8	503924402	DRIVE SHAFT	R, Rx L=1512 ø9, solid	1	
8	503924403	DRIVE SHAFT	FR L=1431 ø9, solid	1	
9	537294707	LABEL		1	
9	537294703	LABEL	US, Can	1	

**T** 343R, F, FR, 345Rx, Fx, FxT  
SHORT BLOCK

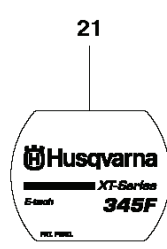
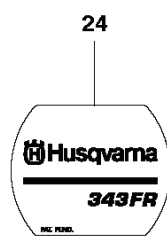
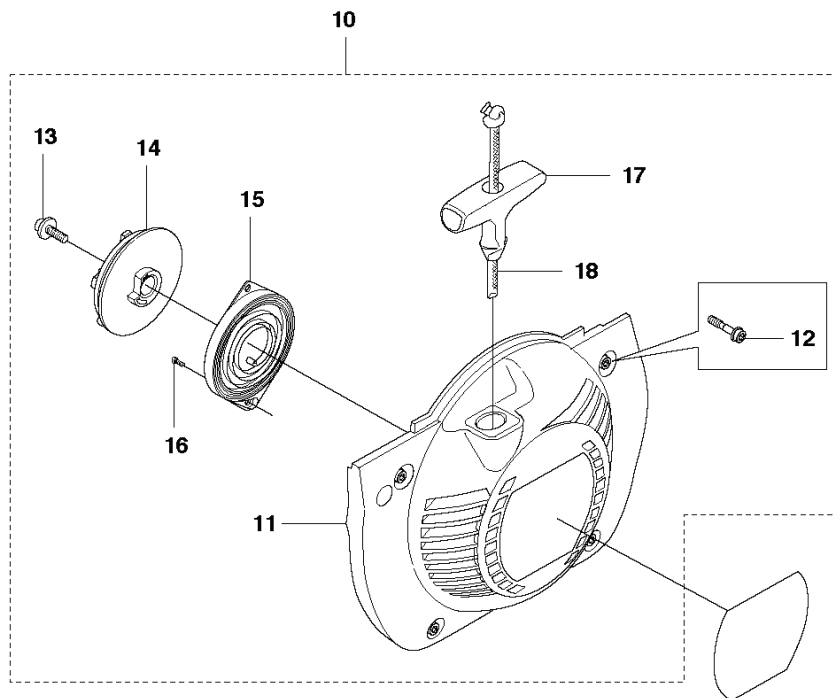
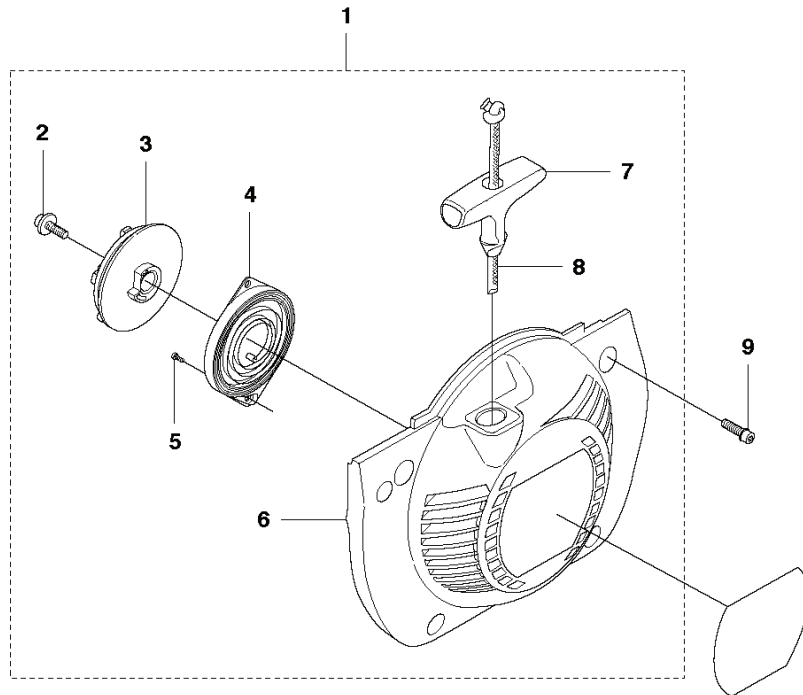
1



---

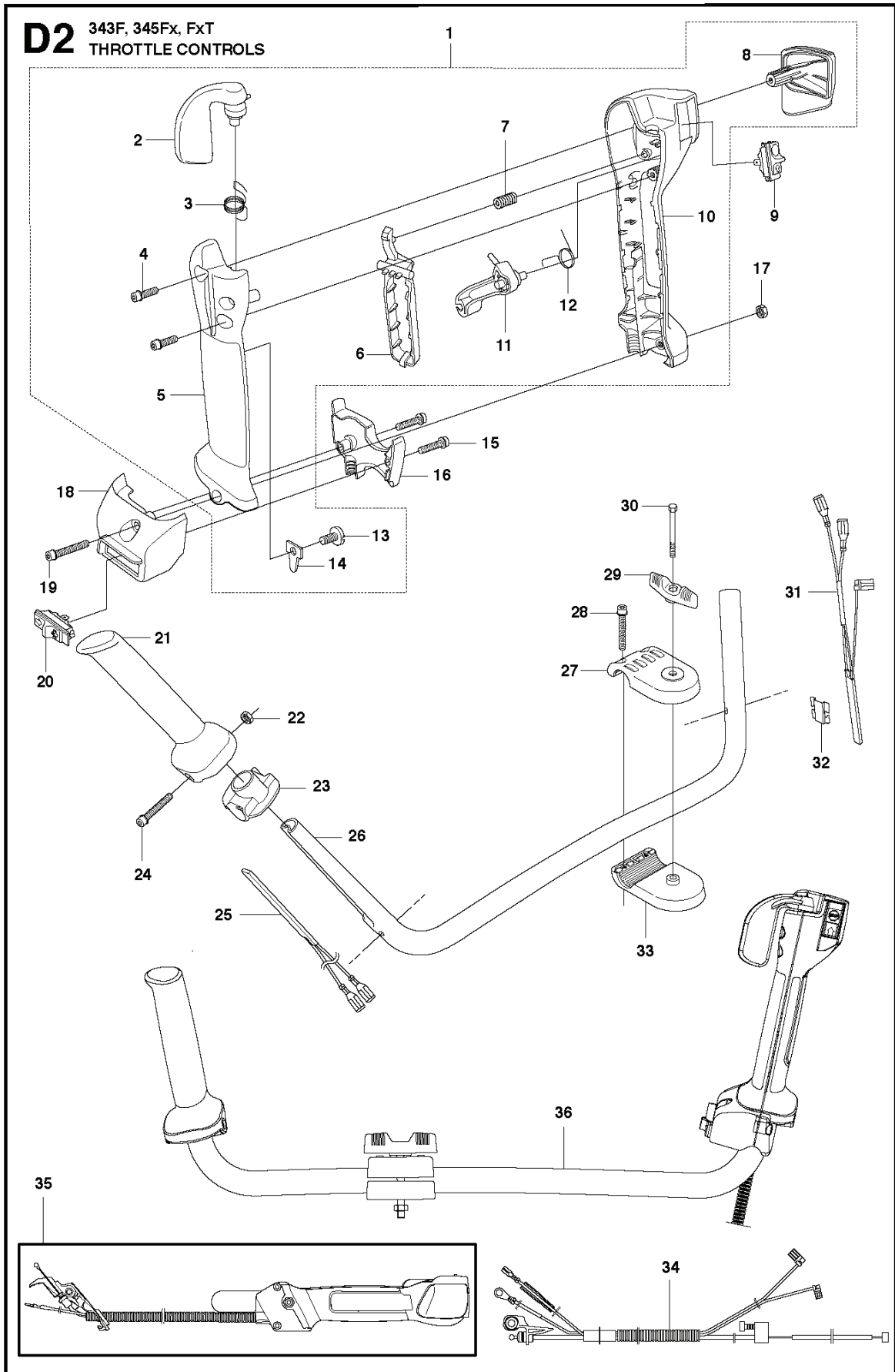
REF.	PART NO.	DESCRIPTION	REMARK	QTY.	KIT
1	576829701	SHORT BLOCK	Assembled	1	

**K** 343R, F, FR, 345Rx, Fx, FxT  
STARTER



REF.	PART NO.	DESCRIPTION	REMARK	QTY.	KIT
1	503947802	STARTER ASSY		1	
2	503216916	SCREW IH SCT		1	1
3	503957301	STARTER PULLEY		1	1
4	502200601	SPRING CASSETTE ASSY		1	1
5	503212906	SCREW CCRPANT		2	1
6	503947901	STARTER HOUSING		1	1
7	503543901	STARTER HANDLE		1	1
8	505305125	STARTER ROPE		1	1
9	503200302	SCREW IHSCFM		4	
10	575581001	STARTER ASSY	Spare part with Captive Screw	1	
11	575580501	STARTER HOUSING	Spare part with Captive Screw	1	10
12	574477003	SCREW IHSCFMO	Captive Screw	4	
13	503216916	SCREW IH SCT		1	10
14	503957301	STARTER PULLEY		1	10
15	502200601	SPRING CASSETTE ASSY		1	10
16	503212906	SCREW CCRPANT		2	10
17	503543901	STARTER HANDLE		1	10
18	505305125	STARTER ROPE		1	10
19	537355901	LABEL	F	1	
20	537355902	LABEL	Fx	1	
21	537355903	LABEL	FxT	1	
22	537355904	LABEL	R	1	
23	537355905	LABEL	Rx	1	
24	537355914	LABEL	FR	1	

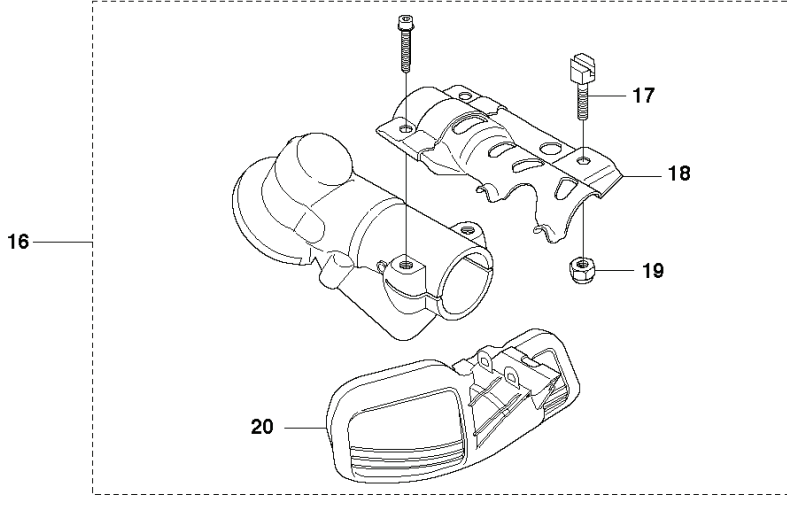
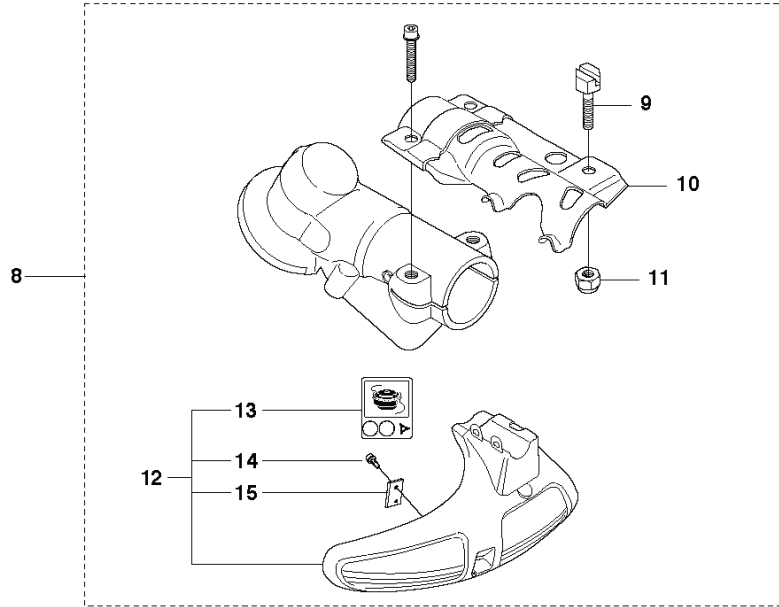
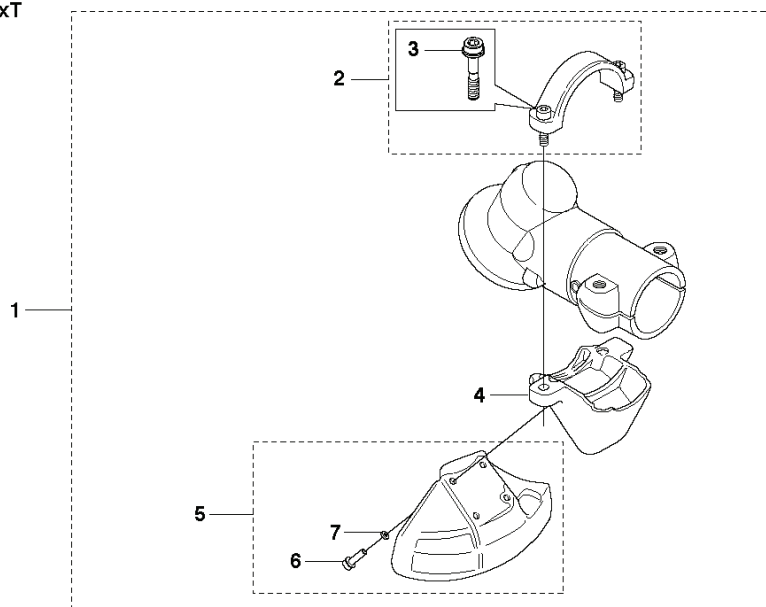
**D2** 343F, 345Fx, FxT  
THROTTLE CONTROLS



REF.	PART NO.	DESCRIPTION	REMARK	QTY.	KIT
1	537197213	THROTTLE HANDLE		1	
2	537263401	THROTTLE TRIGGER		1	1
3	537283701	SPRING THROTTLE TRIG		1	1
4	503217520	SCREW IHSCFT		2	1
5	537155301	HANDLE HALF		1	1
6	537155601	THROTTLE LOCKOUT		1	1
7	537199701	SPRING		1	1
8	537182401	COVER		1	1
9	537419001	SWITCH		1	
10	537155201	HANDLE HALF		1	1
11	537263501	THROTTLE LEVER		1	1
12	537342701	SPRING		1	1
13	503217010	SCREW CCRPANT		1	1
14	537251101	SECURING PLATE		1	1
15	503217120	SCREW IHSCFT	FxT	2	
16	537201601	RETAINER	FxT	1	
17	731231405	HEXAGON NUT		1	
18	537201501	RETAINER	FxT	1	
19	503200235	SCREW IHSCFM	F, Fx	1	
19	503200245	SCREW IHSCFM	FxT	1	
20	503718202	SWITCH	FxT	1	
21	537172805	HANDLE		1	
22	731231405	HEXAGON NUT		1	
23	537172902	BRACKET		1	
24	503200245	SCREW IHSCFM	FxT	1	
25	537227201	ELEMENT	FxT	1	
26	503958601	HANDLEBAR	F, Fx	1	
26	503958602	HANDLEBAR	FxT	1	
27	537129001	HANDLEBAR BRACKET		1	
28	503200225	SCREW IHSCFM		2	
29	502203801	KNOB		1	
30	725238485	SCREW EHHM		1	
31	537227101	ELEMENT	FxT	1	
32	537265101	SECURING PLATE	FxT	2	
33	537129101	HANDLE BRACKET		1	
34	505165502	WIRING ASSY	FxT	1	
34	505165501	WIRING ASSY	F, Fx	1	
35	504572001	THROTTLE HANDLE ASSY	F, Fx, compl.	1	
36	537236305	HANDLEBAR	FXT	1	

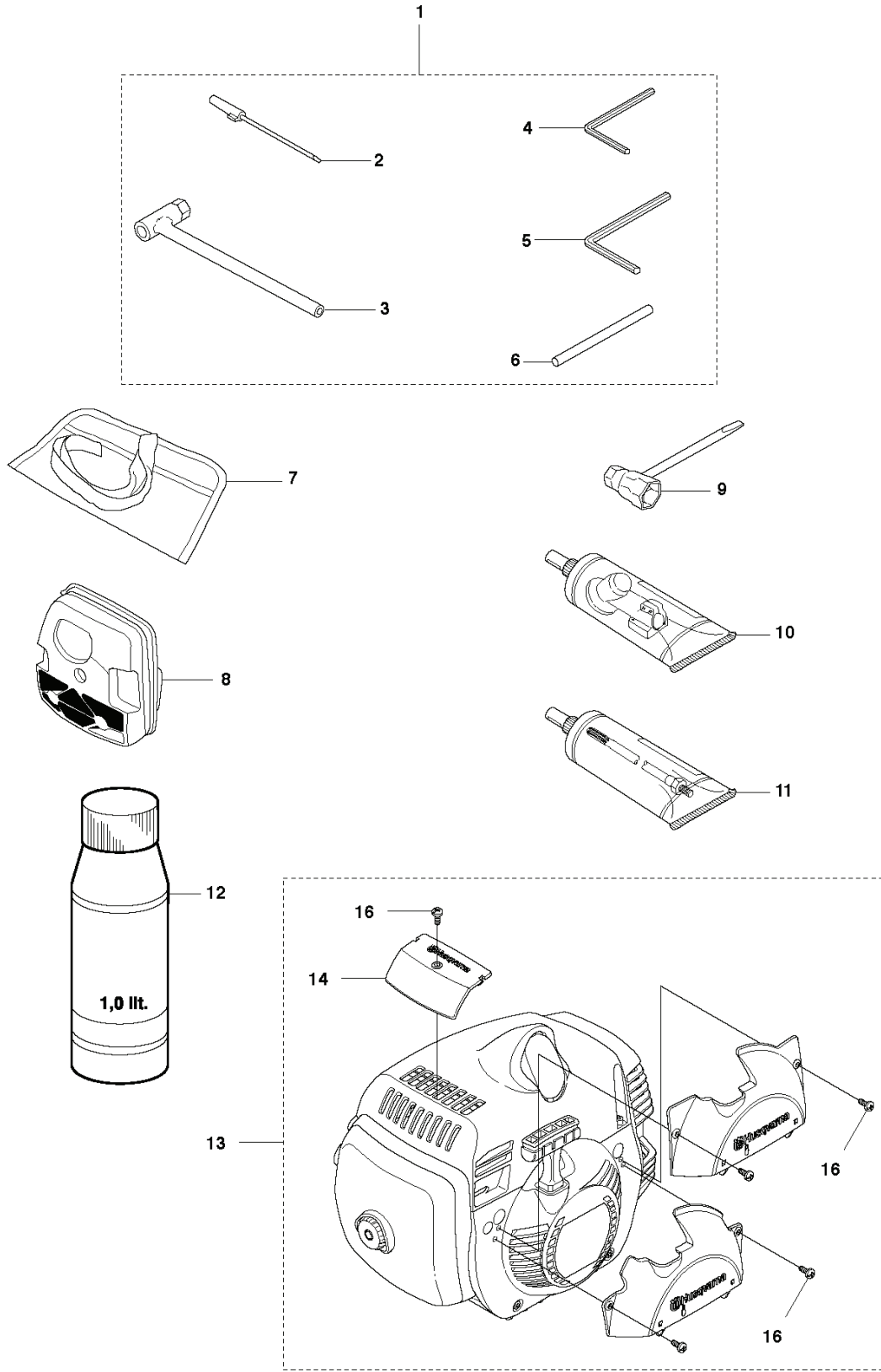


**R4** 343R, F, FR, 345Rx, Fx, FxT  
ACCESSORIES



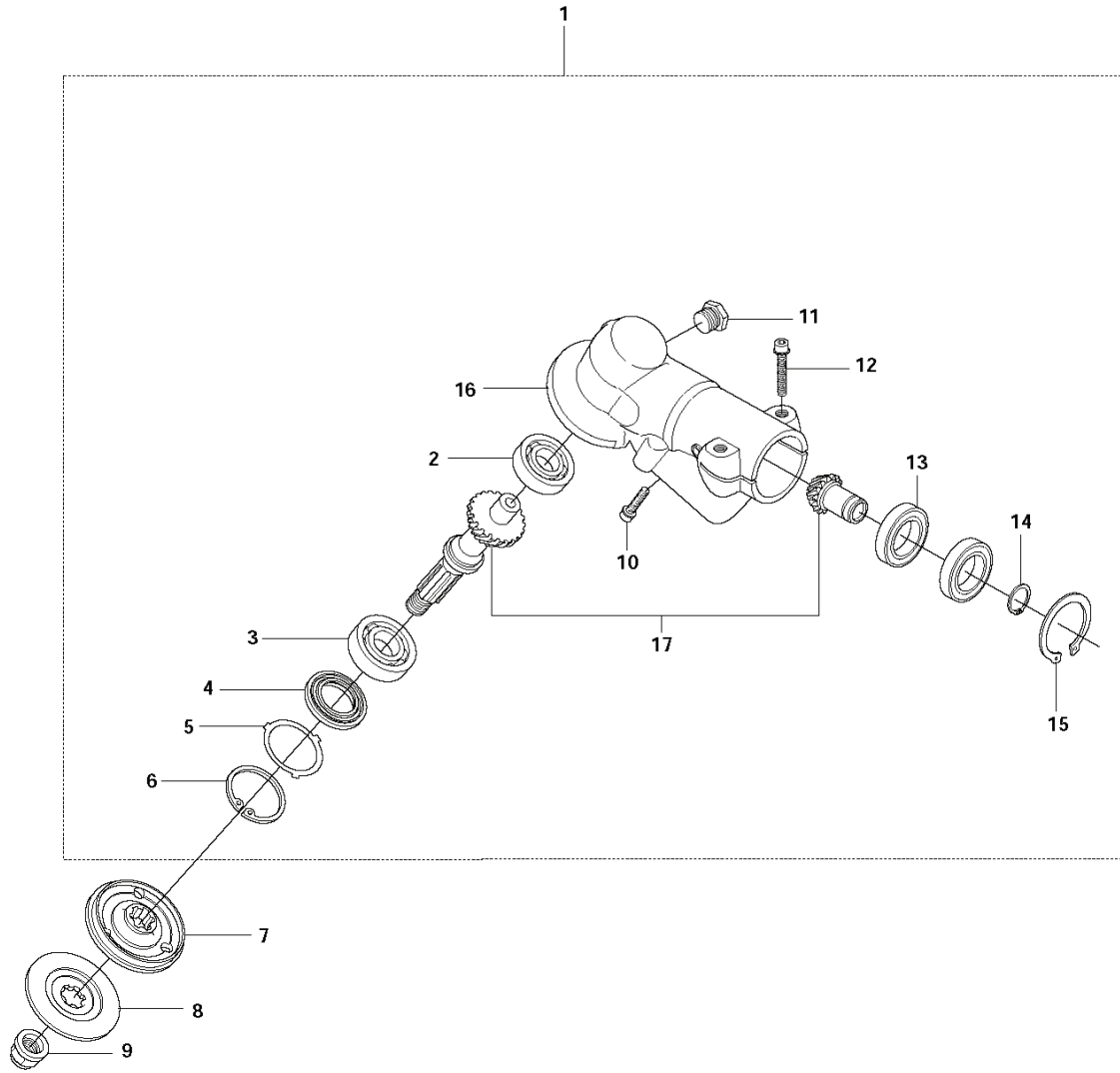
REF.	PART NO.	DESCRIPTION	REMARK	QTY.	KIT
1	537310902	SAW BLADE GUARD	R, Rx, FR	1	
2	574555401	CLAMP	Spare part with Captive Screw	1	1
3	573994304	SCREW IHSCFMO	Captive Screw	2	1,2
4	504003301	ADAPTER		1	1
5	537217104	BLADE GUARD	200mm	1	1
6	503200316	SCREW IHSCFM		4	1,5
7	574039501	LOCK NUT		4	1,5
8	537297301	TRIMMER GUARD ASSY	F, Fx, FxT	1	
9	537189501	SCREW		1	8
10	537230301	ATTACHMENT PLATE		1	8
11	732211601	LOCK NUT		1	8
12	503954302	TRIMMER GUARD		1	8
13	503742901	DECAL		1	8,12
14	503210716	SCREW IHSCCT		1	8,12
15	537285301	BLADE		1	8,12
16	537297401	BLADE GUARD	F, Fx, FxT	1	
17	537189501	SCREW		1	16
18	537230301	ATTACHMENT PLATE		1	16
19	732211601	LOCK NUT		1	16
20	537288501	BLADE GUARD		1	16

**R1** 343R, F, FR, 345Rx, Fx, FxT  
ACCESSORIES



REF.	PART NO.	DESCRIPTION	REMARK	QTY.	KIT
1	502216013	ACCESSORY BAG		1	
2	501600203	SCREWDRIVER		1	1
3	502114603	KEY		1	1
4	502215801	WRENCH	4 mm	1	1
5	503558602	SPANNER	5 mm	1	1
6	502285901	STOP		1	1
7	501192201	TOOL		1	
8	537381101	FILTER	NYLON $\mu$ 80 = Black	1	
8	537381102	FILTER	NYLON $\mu$ 44 = Yellow	1	
8	537381103	FILTER	FELT = White	1	
8	537381104	FILTER	NYLON $\mu$ 100 = Grey	1	
9	501691701	COMBINATION WRENCH		1	
10	503976401	GREASE		1	
11	503801701	GREASE		1	
12	531009248	FILTER OIL	Oil Airfilter 1.0 litre	1	
13	537238401	WINTER KIT	Winter Kit	1	
14	537178701	WINTER COVER		1	13
16	503217010	SCREW CCRPANT		3	13

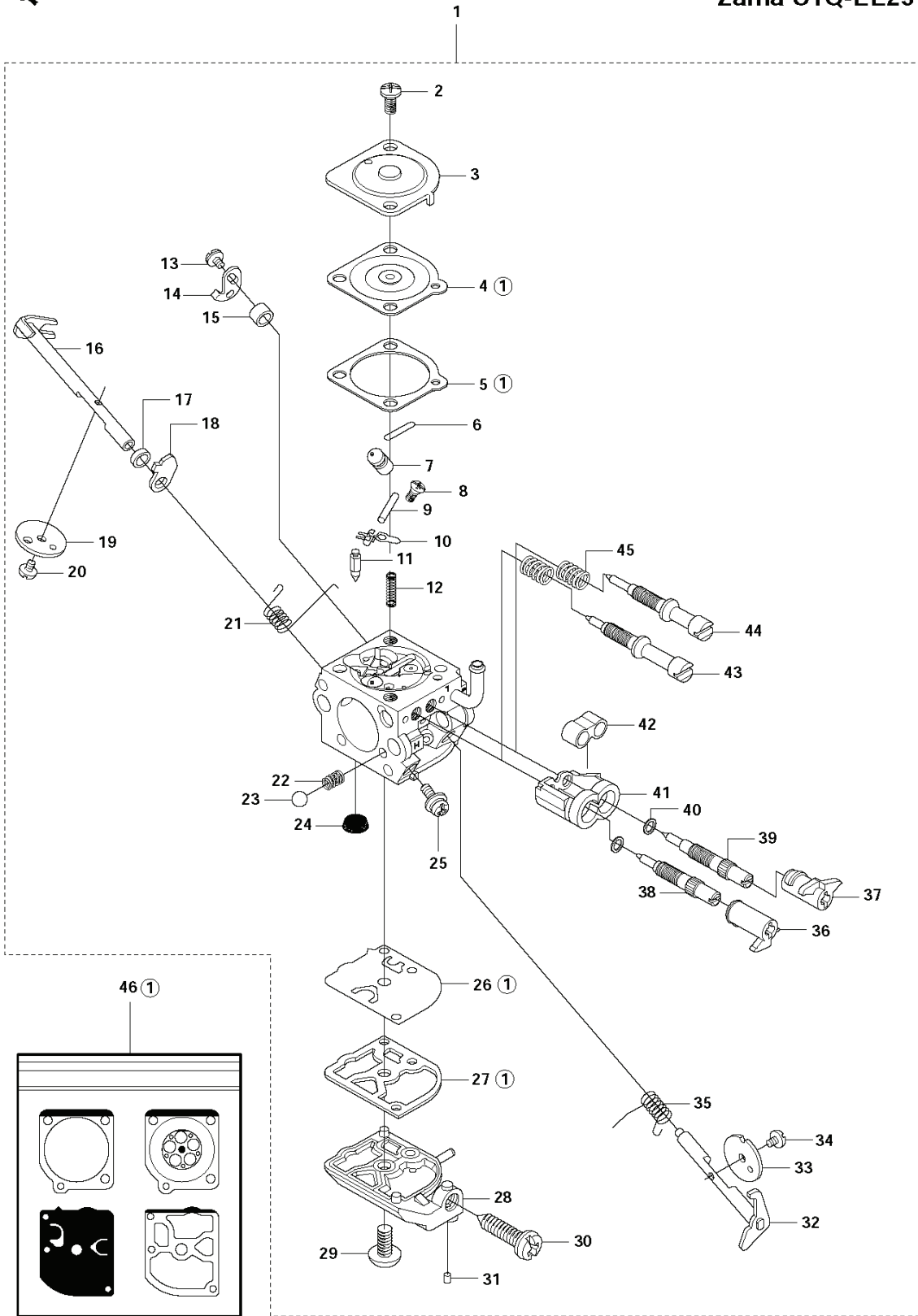
**A2** 343F, 345Fx, FxT  
BEVEL GEAR



REF.	PART NO.	DESCRIPTION	REMARK	QTY.	KIT
1	502297801	GEAR HOUSING ASSY	F, Fx, FxT	1	
2	738210110	BALL BEARING		1	1
3	503250801	BEARING		1	1
4	503261701	SEALING		1	1
5	503758901	COVER WASHER		1	1
6	735313310	CIRCLIP		1	1
7	544197801	DRIVER	"1""	1	
8	544217801	SUPPORT FLANGE		1	
9	502291101	BLADE NUT		1	
10	503200316	SCREW IHSCFM		4	1
11	503201501	SCREW		1	1
12	503200225	SCREW IHSCFM		2	1
13	738218712	BALL BEARING		2	1
14	735311700	CIRCLIP		1	1
15	735313110	CIRCLIP		1	1
16	502297901	GEAR HOUSING		1	1
17	537290601	SP PARTS KIT		1	1

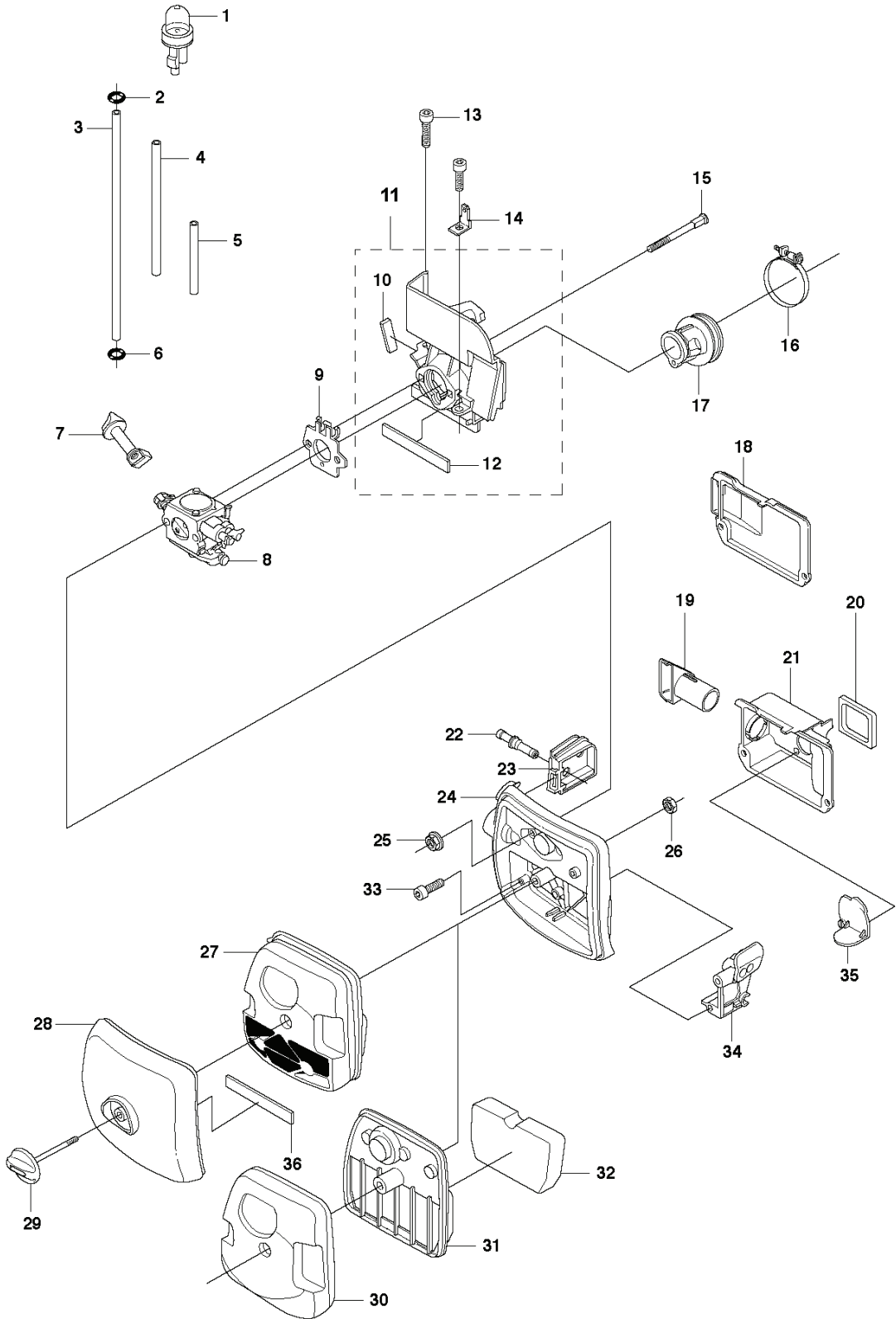
**Q** 343R, F, FR, 345Rx, Fx, FxT  
CARBURETOR

**Zama C1Q-EL21**  
**Zama C1Q-EL23**



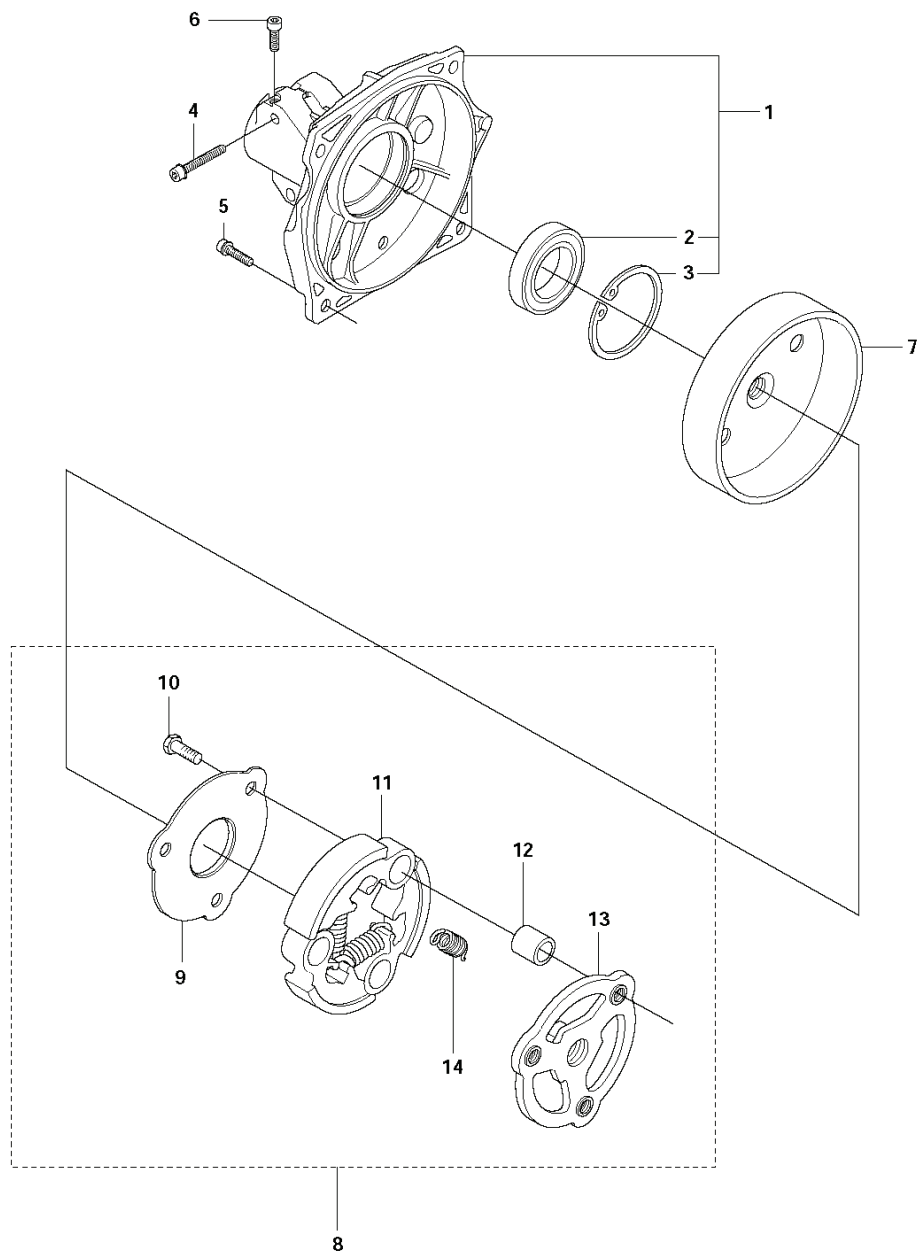
REF.	PART NO.	DESCRIPTION	REMARK	QTY.	KIT
1	503283116	CARBURETTOR	Zama C1Q-EL21	1	
1	503283118	CARBURETTOR	Zama C1Q-EL23 343R South America	1	
2	503480501	SCREW		2	1
3	503974301	COVER		1	1
4	503480201	DIAPHRAGM		1	1,46
5	503480301	GASKET		1	1,46
6	503535601	PLUG WELCH		1	1
7	544114901	NOZZLE ASSY		1	1
8	503480101	SCREW		1	1
9	503480001	PIN RETAINING SCREW		1	1
10	503665901	LEVER		1	1
11	503479701	VALVE		1	1
12	537020301	SPRING		1	1
13	503479001	SCREW		1	1
14	537019801	LEVER		1	1
15	503478901	COLLAR		1	1
16	537020901	SHAFT ASSY		1	1
17	503481901	COLLAR		1	1
18	537049001	LEVER		1	1
19	537021101	VALVE		1	1
20	503481801	SCREW		1	1
21	537021001	SPRING		1	1
22	537012601	SPRING		1	1
23	537012501	BALL		1	1
24	503535701	STRAINER		1	1
25	503755301	SCREW		1	1
26	537020001	DIAPHRAGM PUMP		1	1,46
27	537020101	GASKET		1	1,46
28	537020201	COVER		1	1
29	503479601	SCREW		1	1
30	537020701	SCREW		1	1
31	503481101	PIECE		1	1
32	537275401	SHAFT ASSY		1	1
33	537386801	VALVE		1	1
34	503479201	SCREW		1	1
35	537287101	SPRING		1	1
36	503903301	LIMITER CAP	H Zama C1Q-EL21	1	1
37	503903201	LIMITER CAP	L Zama C1Q-EL21	1	1
38	537275601	SCREW	H Zama C1Q-EL21	1	1
39	537275501	SCREW	L Zama C1Q-EL21	1	1
40	503974001	WASHER	Zama C1Q-EL21	2	1
41	503903401	RETAINER	Zama C1Q-EL21	1	1
42	537274201	BOOT	Zama C1Q-EL21	1	1
43	537387001	SCREW	Zama C1Q-EL23	1	1
44	537386901	SCREW	Zama C1Q-EL23	1	1
45	503480801	SPRING	Zama C1Q-EL23	2	1
46	537243601	GASKET KIT	Gasket kit	1	



**J****343R, F, FR, 345Rx, Fx, FxT  
CARBURETOR & AIRFILTER**

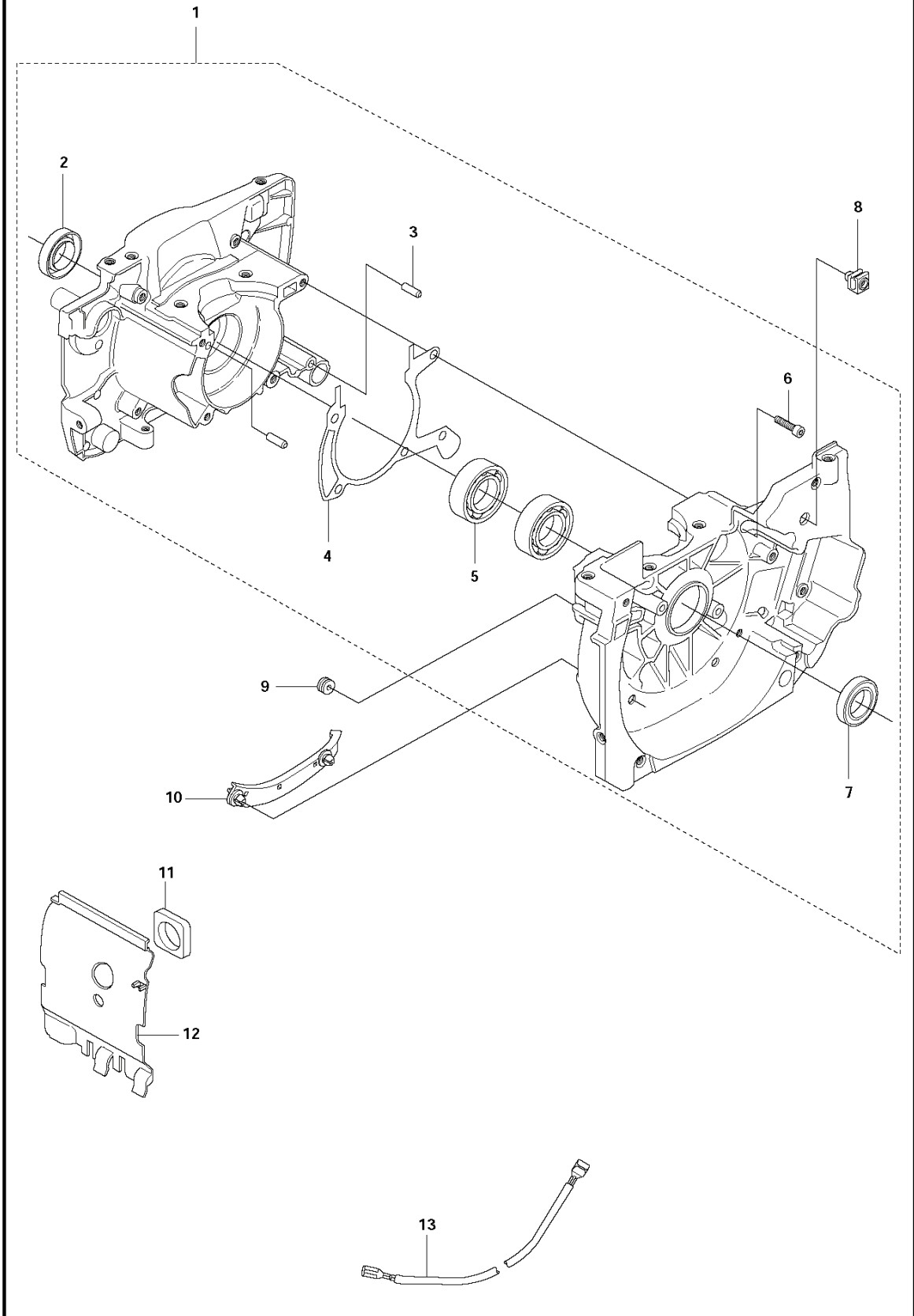
REF.	PART NO.	DESCRIPTION	REMARK	QTY.	KIT
1	503936601	PURGE		1	
2	537184901	O-RING		1	
3	544324923	FUEL HOSE	L=160 mm	1	
4	537042401	FUEL HOSE	L=102 mm	1	
5	537052303	FUEL HOSE	L=35 mm	1	
6	537184901	O-RING		1	
7	537110001	CHOKE CONTROL		1	
8	503283116	CARBURETTOR	Zama C1Q-EL21	1	
8	503283118	CARBURETTOR	Zama C1Q-EL23 343R South America	1	
9	537110101	SPACER		1	
10	537229602	MOULDING		1	11
11	537300201	INSULATION WALL		1	
12	537229601	MOULDING		1	11
13	503200320	SCREW IHSCFM		1	
14	503238802	FLAT PIN		1	
15	544082002	SCREW		2	
16	503560009	HOSE CLAMP		1	
17	503958301	BELLOWS		2	
18	537276101	MUFFLER	FR, R, Rx	1	
19	537141501	AIR INTAKE	F, Fx, FxT	1	
20	537309301	SEALING	F, Fx, FxT	1	
21	537109902	MUFFLER	F, Fx, FxT	1	
22	537284601	NIPPLE		1	
23	537165901	GROMMET		1	
24	503958101	FILTER HOLDER		1	
25	731711451	HEXAGON NUT FLANGE		1	
26	731231405	HEXAGON NUT		1	
27	537381101	FILTER	µ80 Black F, Fx, FxT	2	
28	537307602	FILTER COVER ASSY		2	
29	537213212	KNOB		1	
30	503958001	HUB CAP	R, Rx, FR	1	
31	503957901	RETAINER	R, Rx, FR	1	
32	537427101	AIR FILTER	R, Rx, FR	1	
33	503200320	SCREW IHSCFM		1	
34	537141301	CHISEL GUIDE		1	
35	537141401	HUB CAP	F, Fx, FxT, FR	2	
36	537229603	MOULDING		1	

**F** 343R, F, FR, 345Rx, Fx, FxT  
CLUTCH



REF.	PART NO.	DESCRIPTION	REMARK	QTY.	KIT
1	503954103	CLUTCH COVER		1	
2	738220219	BALL BEARING		1	1
3	735313310	CIRCLIP		1	1
4	503200230	SCREW IHSCFM		2	
5	503200220	SCREW IHSCFM		4	
6	503202001	SCREW IHSCM		1	
7	544900701	CLUTCH DRUM ASSY		1	
8	503953501	CLUTCH ASSY		1	
9	537135301	WASHER		1	8
10	503201818	SCREW EHHM		3	8
11	503953601	CLUTCH SHOE		3	8
12	537135401	BEARING BUSH		3	8
13	503953701	CLUTCH HUB		1	8
14	505435301	CLUTCH SPRING	ø1.7mm	3	8

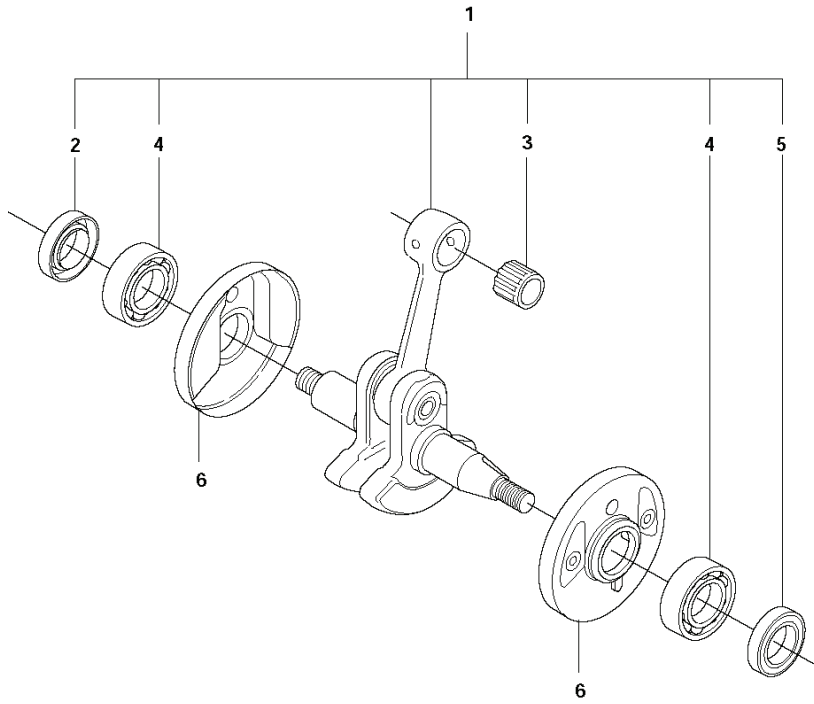
**P** 343R, F, FR, 345Rx, Fx, FxT  
CRANKCASE



---

REF.	PART NO.	DESCRIPTION	REMARK	QTY.	KIT
1	537230401	CRANKCASE		1	
2	503260204	SEALING RING		1	1
3	720130710	PARALLEL PIN		2	1
4	503948001	GASKET		1	1
5	503250801	BEARING		2	1
6	725533155	SCREW IHSCM		4	1
7	505275719	SEALING RING		1	1
8	502089601	CABLE HOLDER		1	
9	503735801	BUSHING		1	
10	537280501	CABLE HOLDER		1	
11	537309401	SEALING	F, Fx, FxT, FR	1	
12	537279401	WALL	R, Rx	1	
12	537309901	WALL	F, Fx, FxT, FR	1	
13	537391001	SHORT CIRCUIT CABLE		1	

**N** 343R, F, FR, 345Rx, Fx, FxT  
CRANK SHAFT

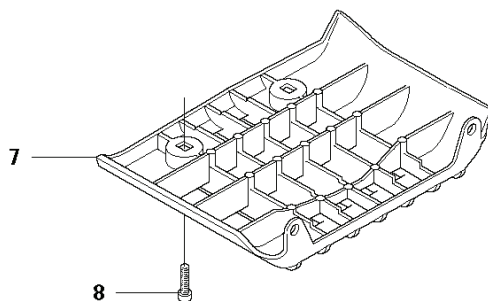
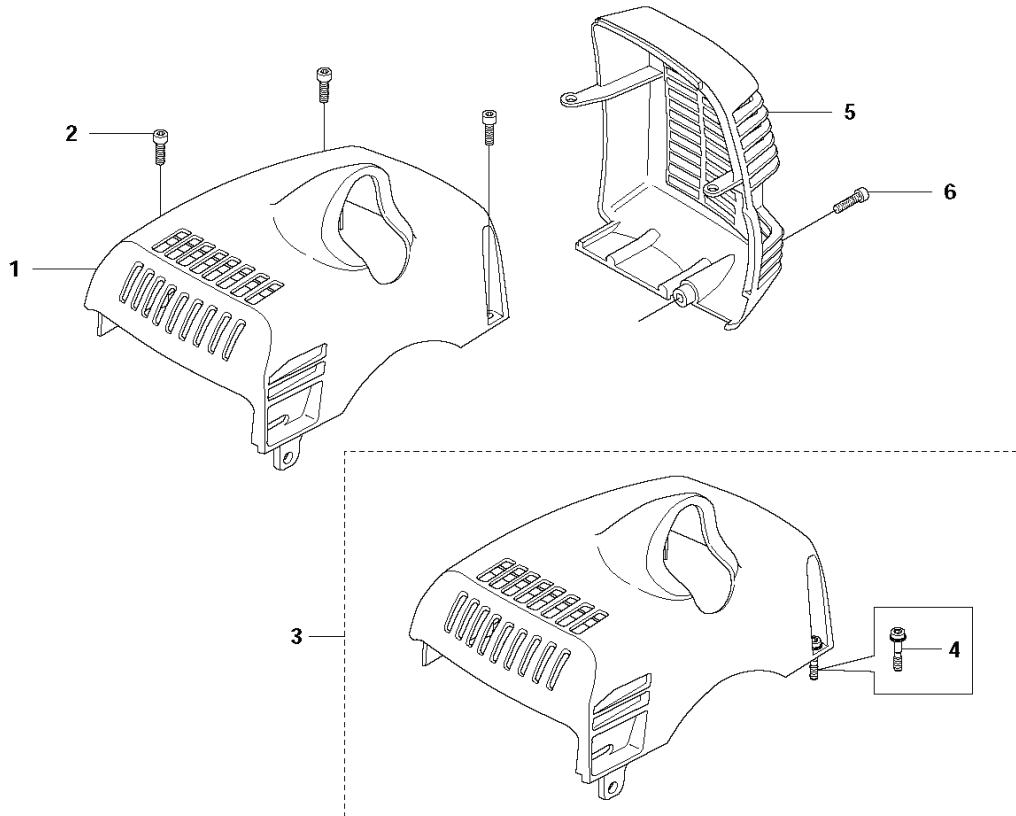


---

REF.	PART NO.	DESCRIPTION	REMARK	QTY.	KIT
1	537189702	CRANKSHAFT		1	
2	503260204	SEALING RING		1	1
3	501451601	NEEDLE BEARING		1	1
4	503250801	BEARING		2	1
5	505275719	SEALING RING		1	1
6	537158501	CUP	Fx, FxT	2	



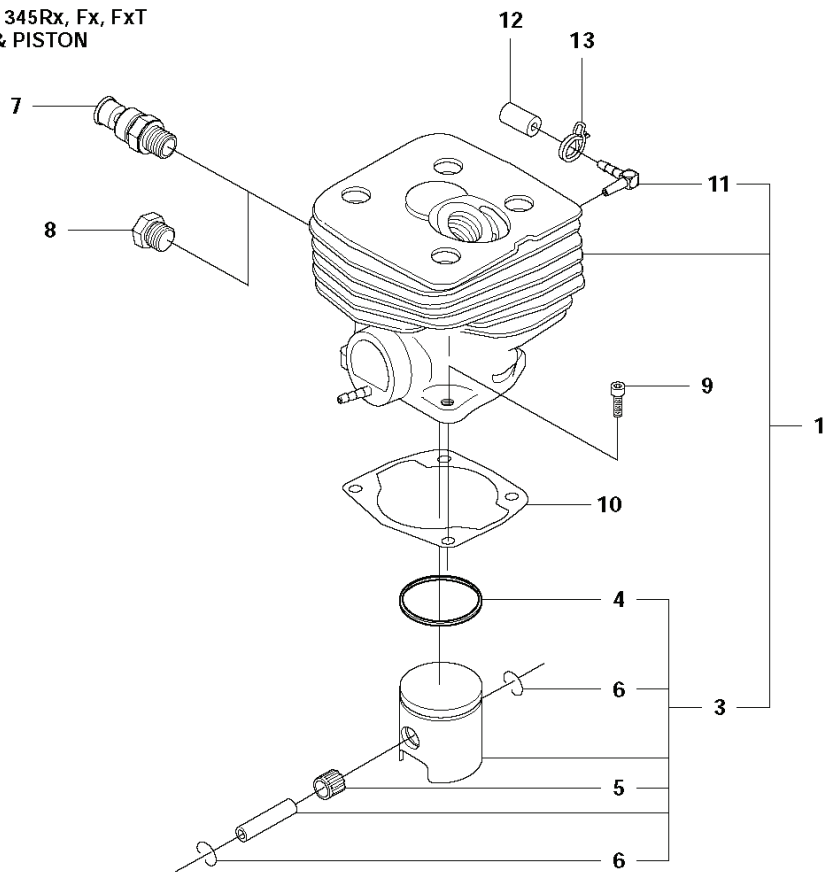
**G** 343R, F, FR, 345Rx, Fx, FxT  
CYLINDER COVER



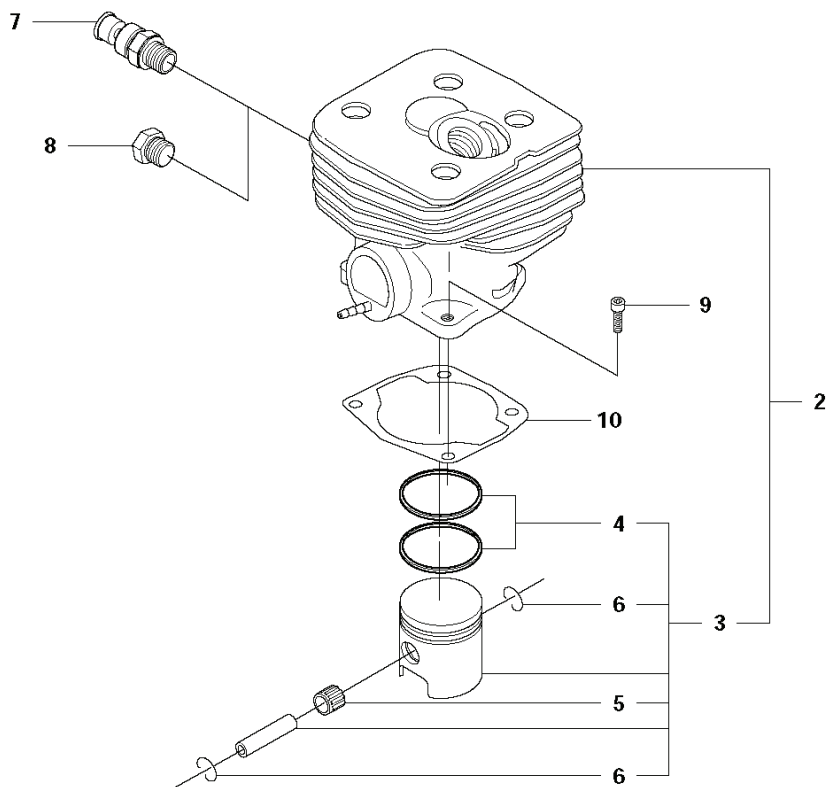
- 14 — Husqvarna 343FR
- 13 — Husqvarna X-Series E-tech 345R
- 12 — Husqvarna 343R
- 11 — Husqvarna X-F-Series E-tech 345F
- 10 — Husqvarna X-Series E-tech 345F
- 9 — Husqvarna 343F

REF.	PART NO.	DESCRIPTION	REMARK	QTY.	KIT
1	503947503	CYLINDER COVER		1	
2	503200302	SCREW IHSCFM		3	
3	575580201	CYLINDER COVER ASSY	Spare part with Captive Screw	1	
4	574477004	SCREW IHSCFMO	Captive Screw	3	3
5	503947701	HEAT PROTECTOR		1	
6	503200302	SCREW IHSCFM		1	
7	537166101	PROTECTIVE COVER		1	
8	503200302	SCREW IHSCFM		2	
9	537356801	LABEL	F	1	
10	537356802	LABEL	Fx	1	
11	537356803	LABEL	FxT	1	
12	537356804	LABEL	R	1	
13	537356805	LABEL	Rx	1	
14	537356807	LABEL	FR	1	

**M** 343R, F, FR, 345Rx, Fx, FxT  
CYLINDER & PISTON

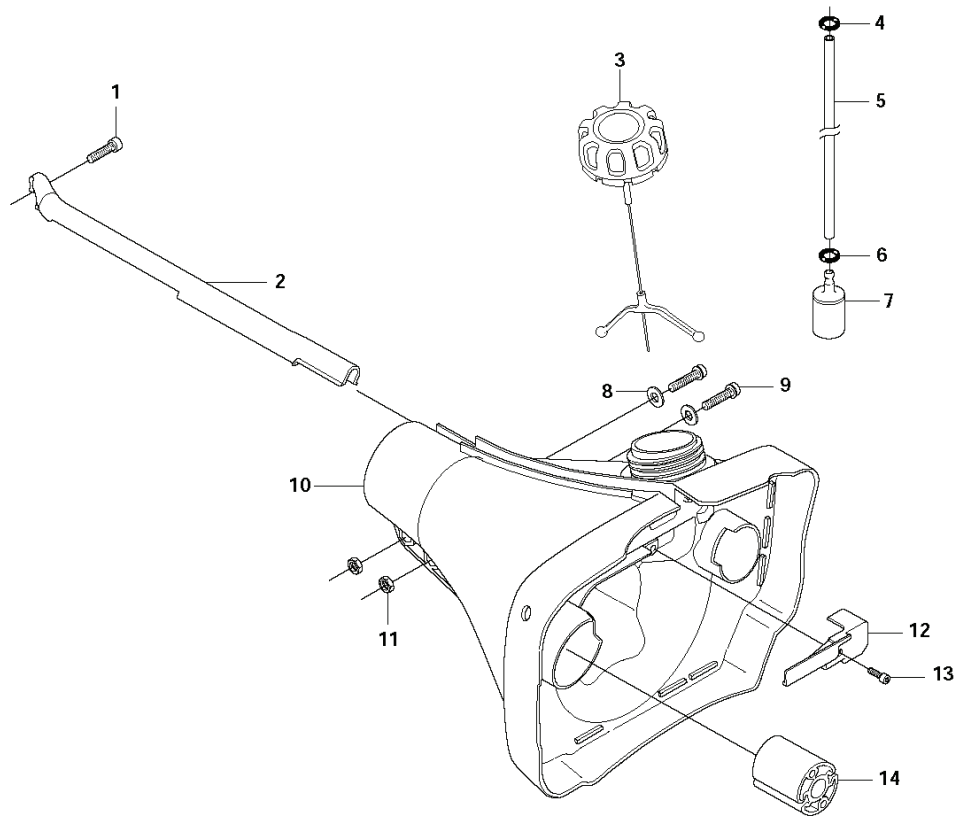


**M**



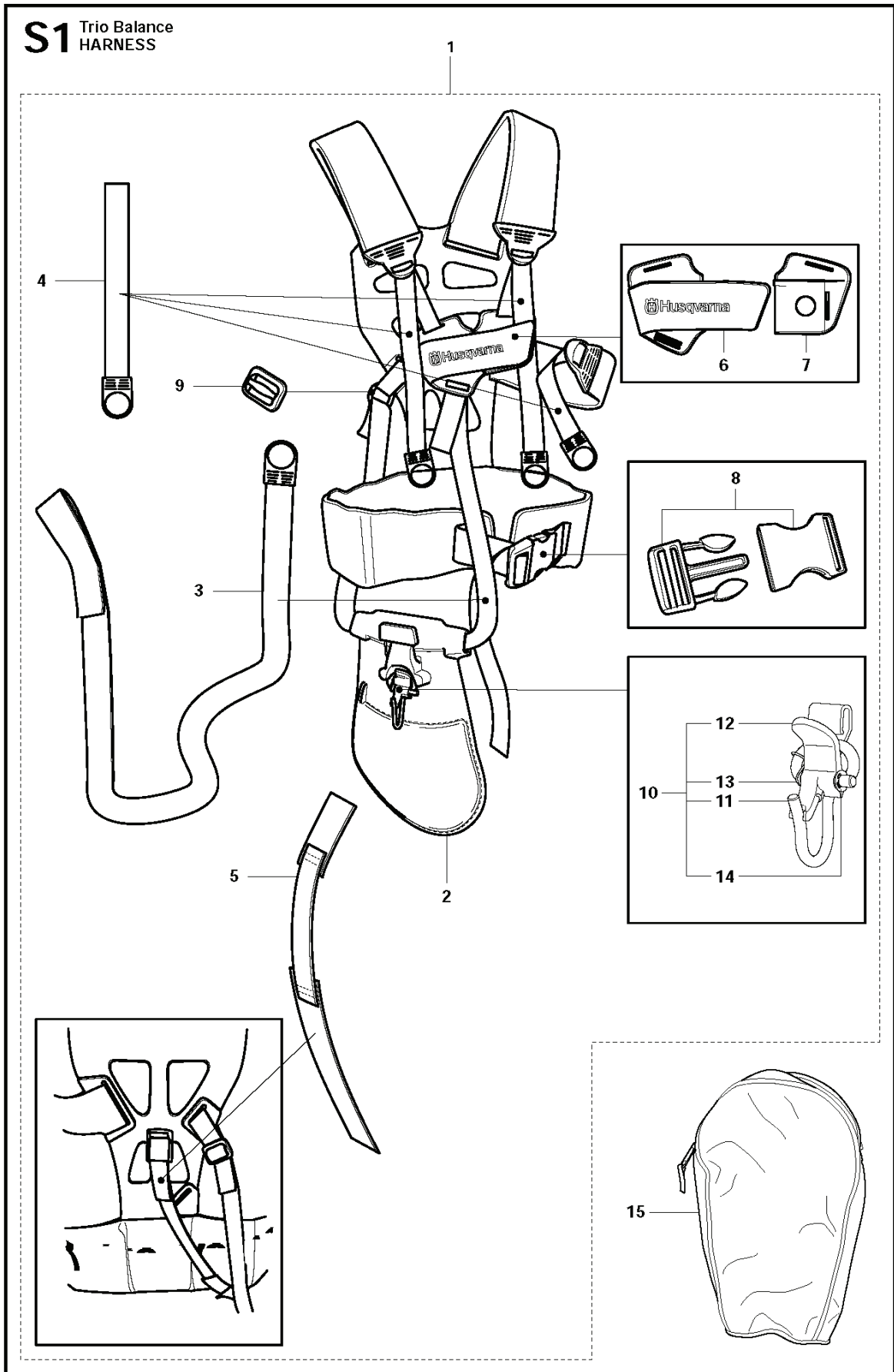
REF.	PART NO.	DESCRIPTION	REMARK	QTY.	KIT
1	503956402	CYLINDER ASSY	Fx, FxT ø41mm 43cc	1	
2	505034804	CYLINDER ASSY	F, FR, R, Rx ø42mm 45cc	1	
3	537159402	PISTON ASSY	Fx, FxT ø41mm 43cc	1	1
3	544093002	PISTON ASSY	F, FR, R, Rx ø42mm 45cc	1	2
4	503289045	PISTON RING	Fx, FxT ø41mm 43cc	1	1,3
4	506449401	PISTON RING	F, FR, R, Rx ø42mm 45cc	2	2,3
5	501451601	NEEDLE BEARING		1	1,2,3
6	737441000	SNAP RING		2	1,2,3
7	503665401	DECOMPRESSION VALVE		1	
8	503552201	PLUG		1	
9	725533155	SCREW IHSCM		4	
10	503952701	GASKET		1	
11	504340004	FITTING	Fx, FxT	1	1
12	537180001	PROTECTIVE CAP	Fx, FxT	1	
13	537320901	HOSE CLAMP	Fx, FxT	1	

**E** 343R, F, FR, 345Rx, Fx, FxT  
FUEL TANK



REF.	PART NO.	DESCRIPTION	REMARK	QTY.	KIT
1	503200216	SCREW IHSCFM		1	
2	537172502	COVER	F, Fx, FxT, FR	1	
2	537172501	COVER	R, Rx	1	
2	502433301	WIRING PROTECTION	R, (Composite suspension)	1	
3	544076902	TANK CAP		1	
4	537184901	O-RING		1	
5	544324933	FUEL HOSE		1	
6	537184901	O-RING		1	
7	503443201	FUEL FILTER		1	
8	503230011	WASHER		2	
9	503200216	SCREW IHSCFM		2	
10	503949301	FUEL TANK		1	
11	503221012	HEXAGON NUT		2	
12	537219901	HOSE GUARD		1	
13	503217116	SCREW IHSCF		1	
14	510208701	ANTIVIBRATION ELEMENT		2	

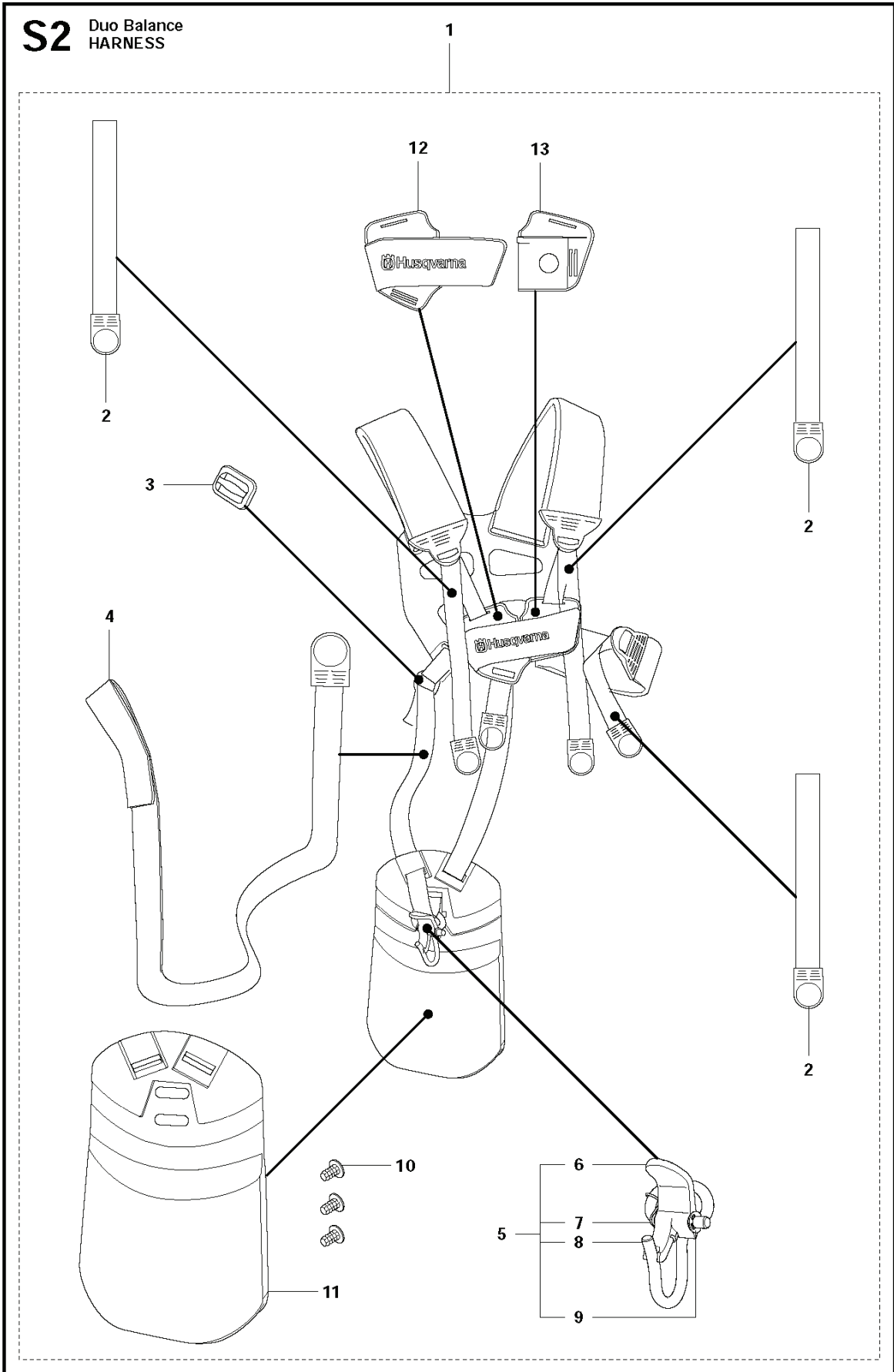
**S1** Trio Balance  
HARNESS



REF.	PART NO.	DESCRIPTION	REMARK	QTY.	KIT
1	504045201	HARNESS	Fx, FxT, FR, Rx	1	
1	505406201	HARNESS	US	1	1
2	544901701	HIP PAD		1	1
3	503996104	BAND		1	1
4	503996101	BAND		3	1
5	537153501	STRAP		1	1
6	537288401	BUCKLE		1	1
7	537288301	BUCKLE		1	1
8	537331501	BUCKLE		1	1
9	537113501	RETAINER		1	1
10	544960702	WELT HOOK		1	1
11	502022902	HOOK		1	1,1
12	502023002	LOCK		1	1,1
13	502023801	SPRING		1	1,1
14	735310920	E-CLIP		1	1,1
15	537306601	BAG	Trio Balance Tool bag	1	



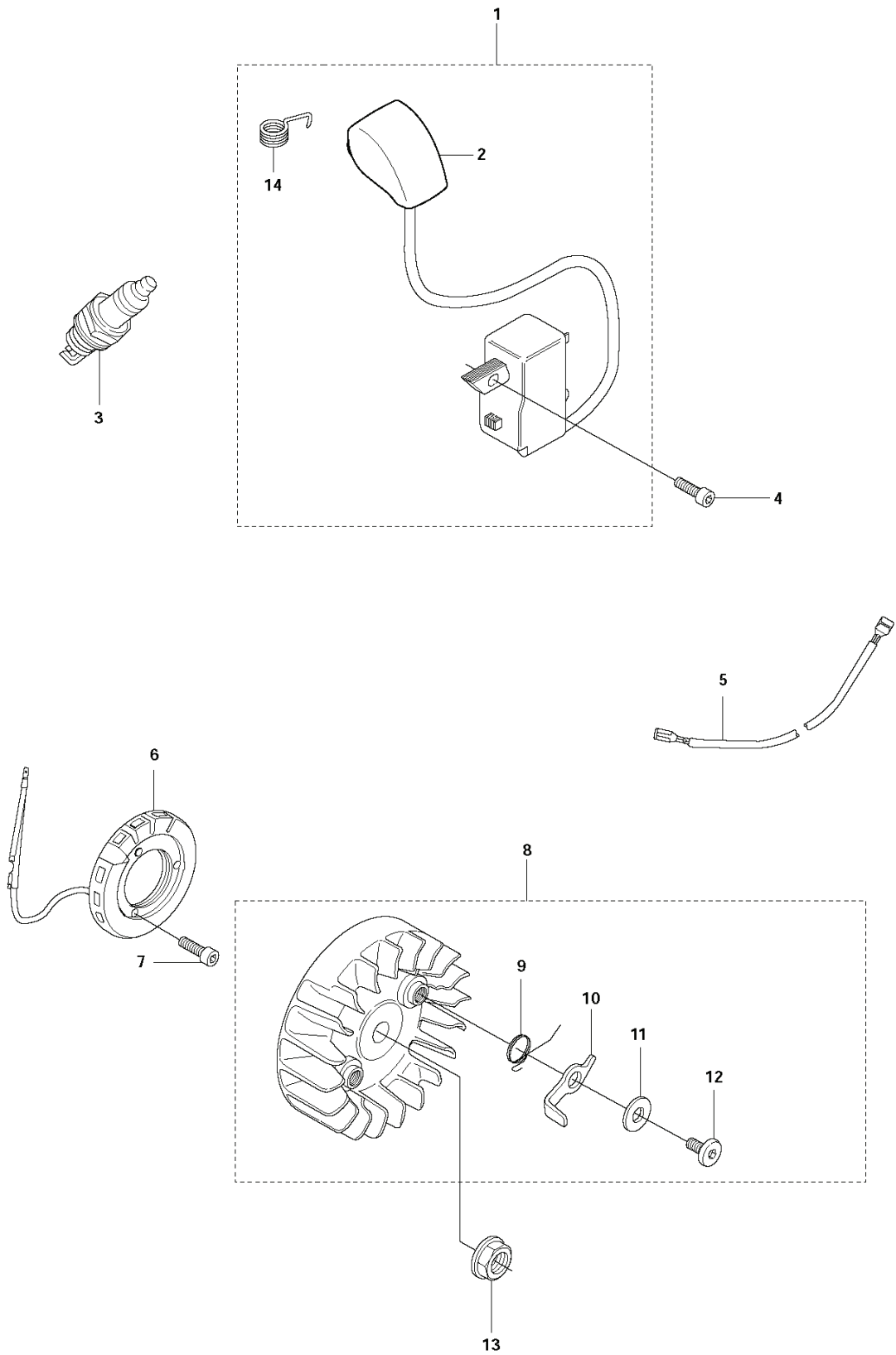
# S2 Duo Balance HARNESS



---

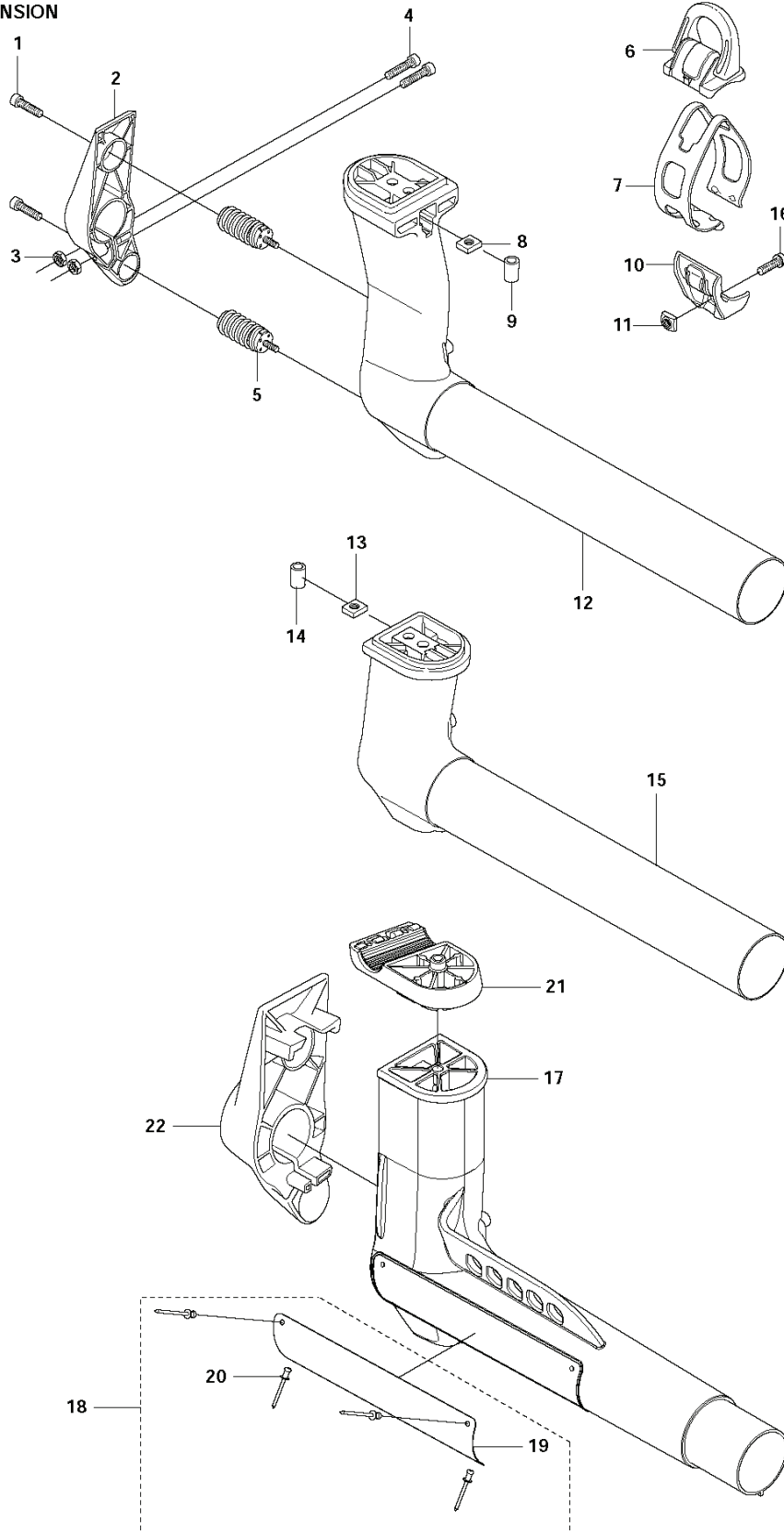
REF.	PART NO.	DESCRIPTION	REMARK	QTY.	KIT
1	537275701	HARNESS	F, FR, R	1	
1	537275703	HARNESS	US	1	
2	503996101	BAND		3	1
3	537113501	RETAINER		1	1
4	503996103	BAND		1	1
5	502022801	HOOK		1	1
6	502023002	LOCK		1	1.5
7	502023801	SPRING		1	1.5
8	502022902	HOOK		1	1.5
9	735310920	E-CLIP		1	1.5
10	537175401	HIP PAD		3	1
11	537275901	HIP PAD		1	1
12	537288401	BUCKLE		1	1
13	537288301	BUCKLE		1	1

**L** 343R, F, FR, 345Rx, Fx, FxT  
IGNITION SYSTEM



REF.	PART NO.	DESCRIPTION	REMARK	QTY.	KIT
1	501001301	IGNITION MODULE	F, Fx, FxT	1	
1	501001302	IGNITION MODULE	R, Rx, FR	1	
2	537237301	SPARK PLUG CAP		1	1
3	503235109	SPARK PLUG	Champion RCJ 6Y	1	
4	503202516	SCREW IHSCM		2	
5	537391001	SHORT CIRCUIT CABLE		1	
6	537256301	GENERATOR STATOR	FxT	1	
7	503216618	SCREW IHSCM	FxT	2	
8	503953301	FLYWHEEL	F, Fx, R, Rx, FR	1	
8	503953302	FLYWHEEL	FxT	1	
9	503812901	SPRING		2	8
10	503812401	STARTER PAWL		2	8
11	503230042	WASHER		2	8
12	501819903	SCREW		2	8
13	503220401	NUT		1	
14	501485601	CONTACT SPRING		1	1

**C** 343R, F, FR, 345Rx, Fx, FxT  
SUSPENSION



REF.	PART NO.	DESCRIPTION	REMARK	QTY.	KIT
1	503200216	SCREW IHSCFM		2	
2	503955304	HOLDER ANTIVIBRATION		1	
3	503221012	HEXAGON NUT		2	
4	503200225	SCREW IHSCFM		2	
5	537299701	ANTIVIBRATION ELEMENT		2	
6	537201801	LOOP		1	
7	537197901	BAND		1	
8	502197101	SQUARE NUT		1	
9	503857302	COVER		1	
10	537271102	GUIDE RAIL		1	
11	503226501	SQUARE NUT		1	
12	537198905	SUSPENSION	R, Rx, Magnesium	1	
13	502197101	SQUARE NUT		1	
14	503857302	COVER		1	
15	503955906	SUSPENSION	F, Fx, FxT, FR, Magnesium	1	
16	503200220	SCREW IHSCFM		1	
17	515979801	SUSPENSION	R, Composit	1	
18	577224701	WEAR PROTECTION	R	1	
19	576630001	WEAR PROTECTION	R	1	18
20	722781802	BLIND RIVET	R	4	18
21	502433601	HANDLEBAR BRACKET	R	1	
22	502433501	HOLDER	R	1	