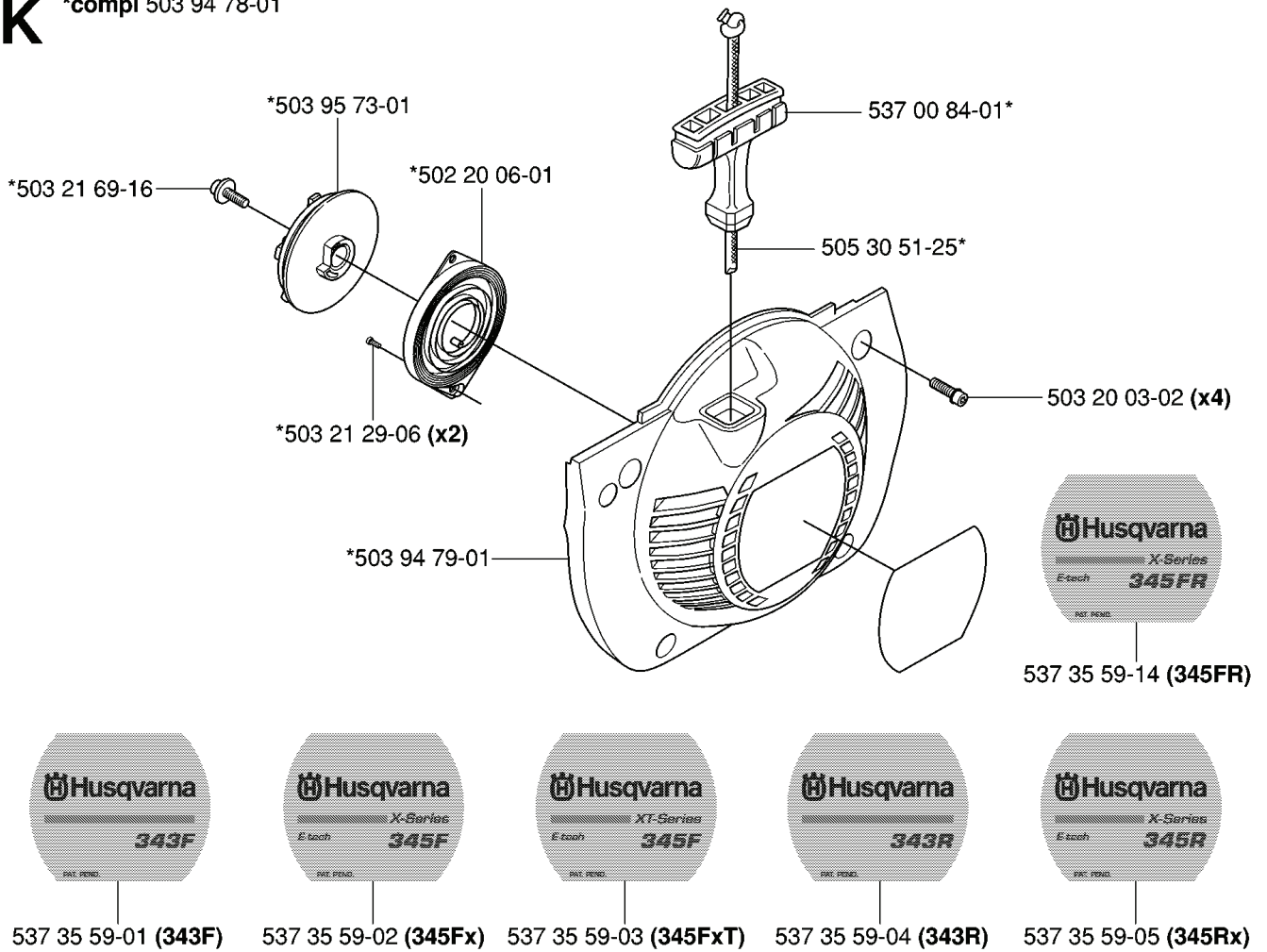


343 F, 20064000001-20081800000

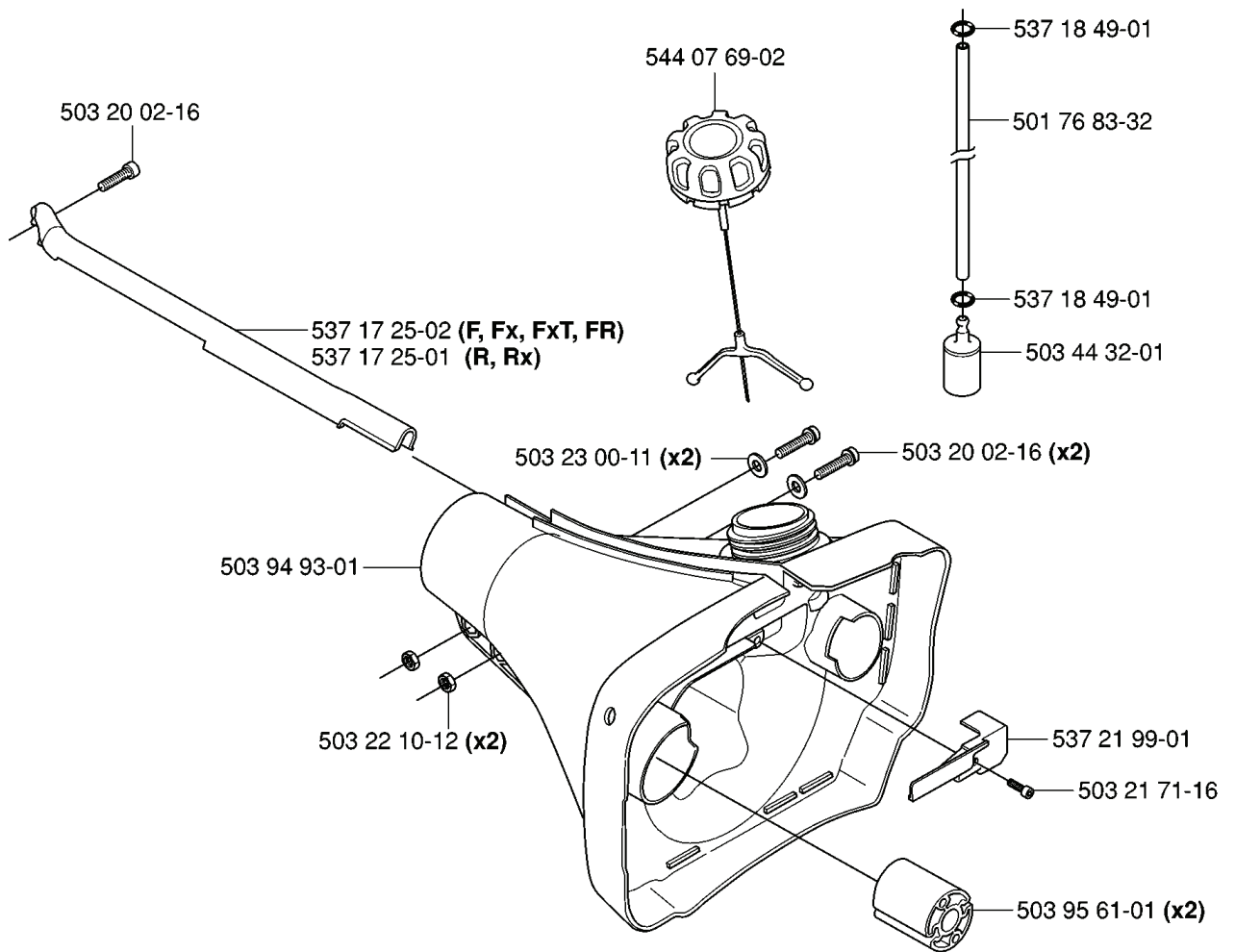
SPARE PARTS LIST

K *compl 503 94 78-01



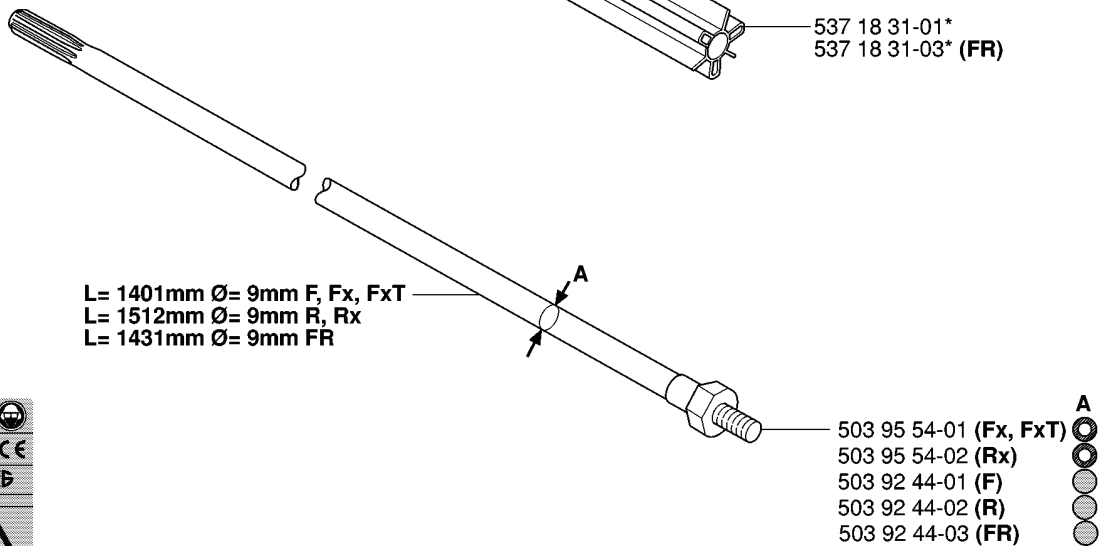
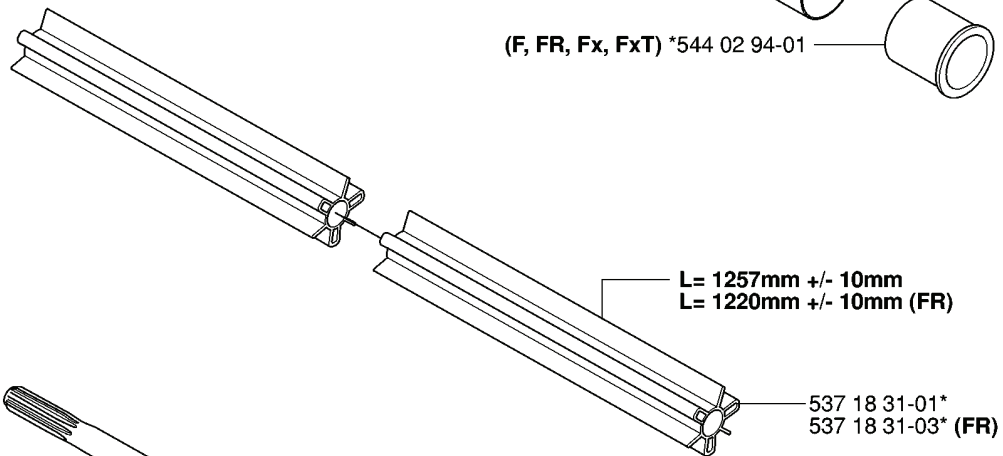
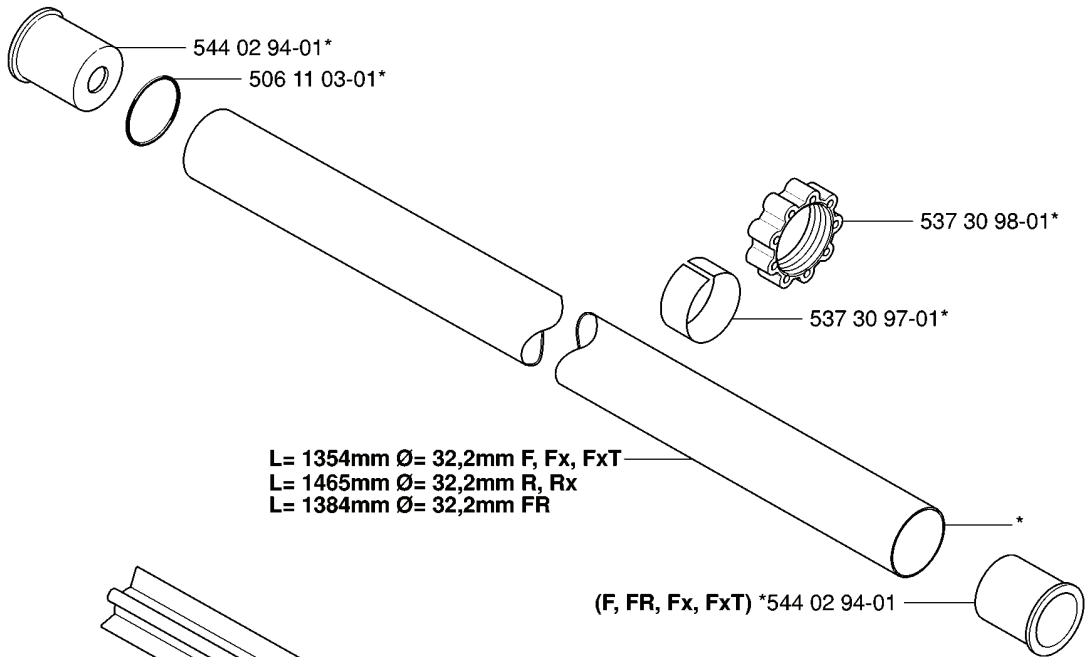
REF.	PART NO.	DESCRIPTION	REMARK	QTY.	KIT
503 94 78-01	503947801	STARTER ASSY		1	
503 95 73-01	503957301	STARTER PULLEY		1	
503 21 69-16	503216916	SCREW IH SCT		1	
502 20 06-01	502200601	SPRING CASSETTE ASSY		1	
503 21 29-06	503212906	SCREW CCRPANT		2	
503 94 79-01	503947901	STARTER HOUSING		1	
537 35 59-01	537355901	LABEL		1	
537 35 59-02	537355902	LABEL		1	
537 35 59-03	537355903	LABEL		1	
537 35 59-04	537355904	LABEL		1	
537 35 59-05	537355905	LABEL		1	
537 35 59-14	537355914	LABEL		1	
503 20 03-02	503200302	SCREW IHSCFM		4	
505 30 51-25	505305125	STARTER ROPE		1	
537 00 84-01	537008401	STARTER HANDLE		1	

D

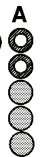


REF.	PART NO.	DESCRIPTION	REMARK	QTY.	KIT
537 17 25-02	537172502	COVER		1	
537 17 25-01	537172501	COVER		1	
503 94 93-01	503949301	FUEL TANK		1	
503 22 10-12	503221012	HEXAGON NUT		2	
503 95 61-01	503956101	ANTIVIBRATION ELEMENT		2	
503 21 71-16	503217116	SCREW IHSCF		1	
537 21 99-01	537219901	HOSE GUARD		1	
503 20 02-16	503200216	SCREW IHSCFM		2	
503 23 00-11	503230011	WASHER		2	
503 44 32-01	503443201	FUEL FILTER		1	
501 76 83-32	501768332	FUEL HOSE		1	
537 18 49-01	537184901	O-RING		1	
544 07 69-02	544076902	TANK CAP		1	

B *compl 537 27 92-03 (F, Fx, FxT)
 *compl 537 27 92-08 (R, Rx)
 *compl 537 27 92-10 (FR)



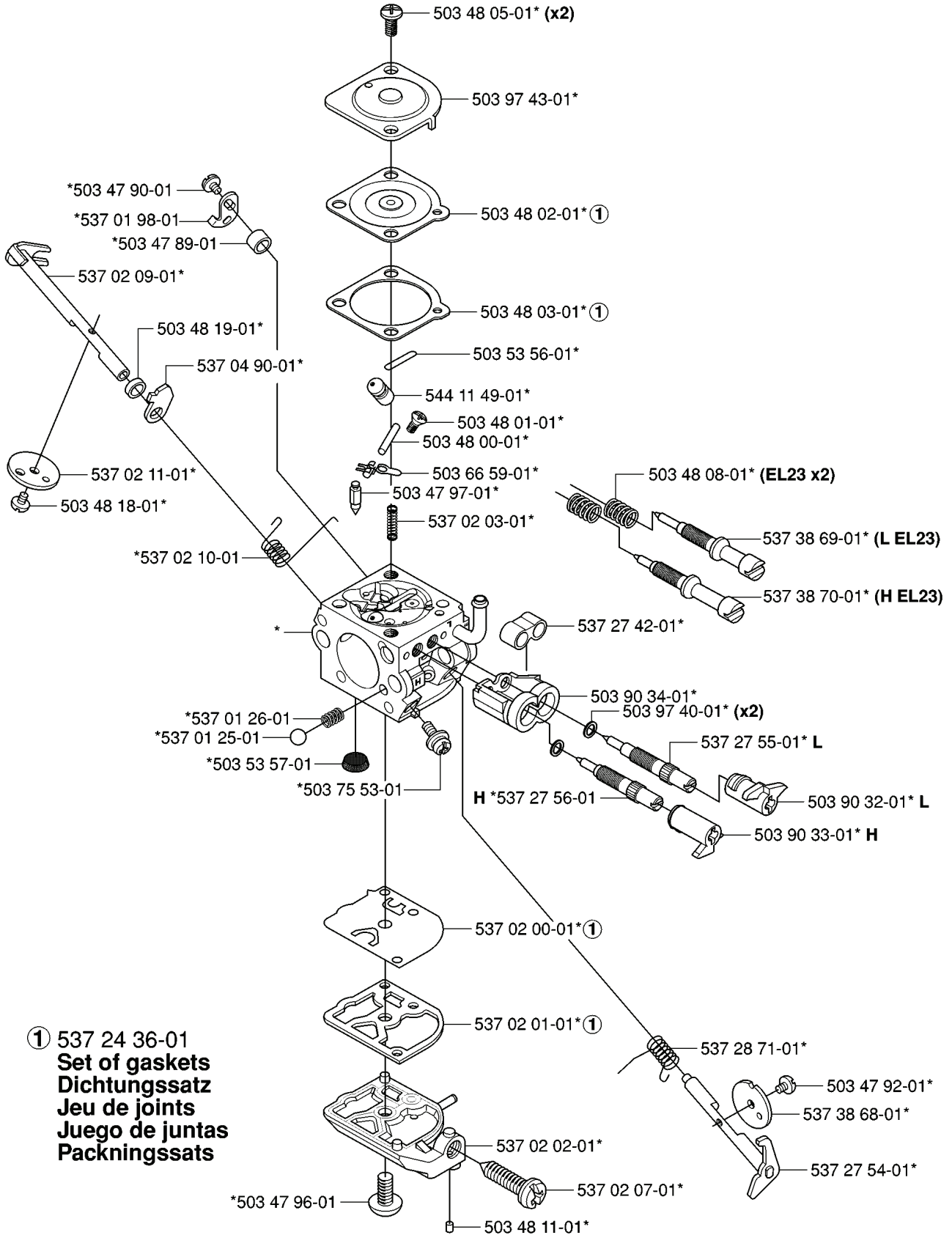
537 29 47-07
 537 29 47-03 (US, Can)



REF.	PART NO.	DESCRIPTION	REMARK	QTY.	KIT
537 27 92-03	537279203	TUBE		1	
537 27 92-08	537279208	TUBE		1	
537 27 92-10	537279210	TUBE		1	
506 11 03-01	506110301	O-RING		1	
537 29 47-07	537294707	LABEL		1	
537 29 47-03	537294703	LABEL		1	
503 92 44-03	503924403	DRIVE SHAFT		1	
503 92 44-02	503924402	DRIVE SHAFT		1	
503 92 44-01	503924401	DRIVE SHAFT		1	
503 95 54-02	503955402	DRIVE SHAFT		1	
503 95 54-01	503955401	DRIVE SHAFT		1	
537 18 31-03	537183103	GUIDE		1	
537 18 31-01	537183101	GUIDE		1	
544 02 94-01	544029401	SPACER		1	
537 30 97-01	537309701	TAPE		1	
537 30 98-01	537309801	ANTIVIBRATION ELEMENT		1	

R *compl 503 28 31-16 (F, Fx, FxT) Zama C1Q-EL21
 *compl 503 28 31-18 (R) Zama C1Q-EL23

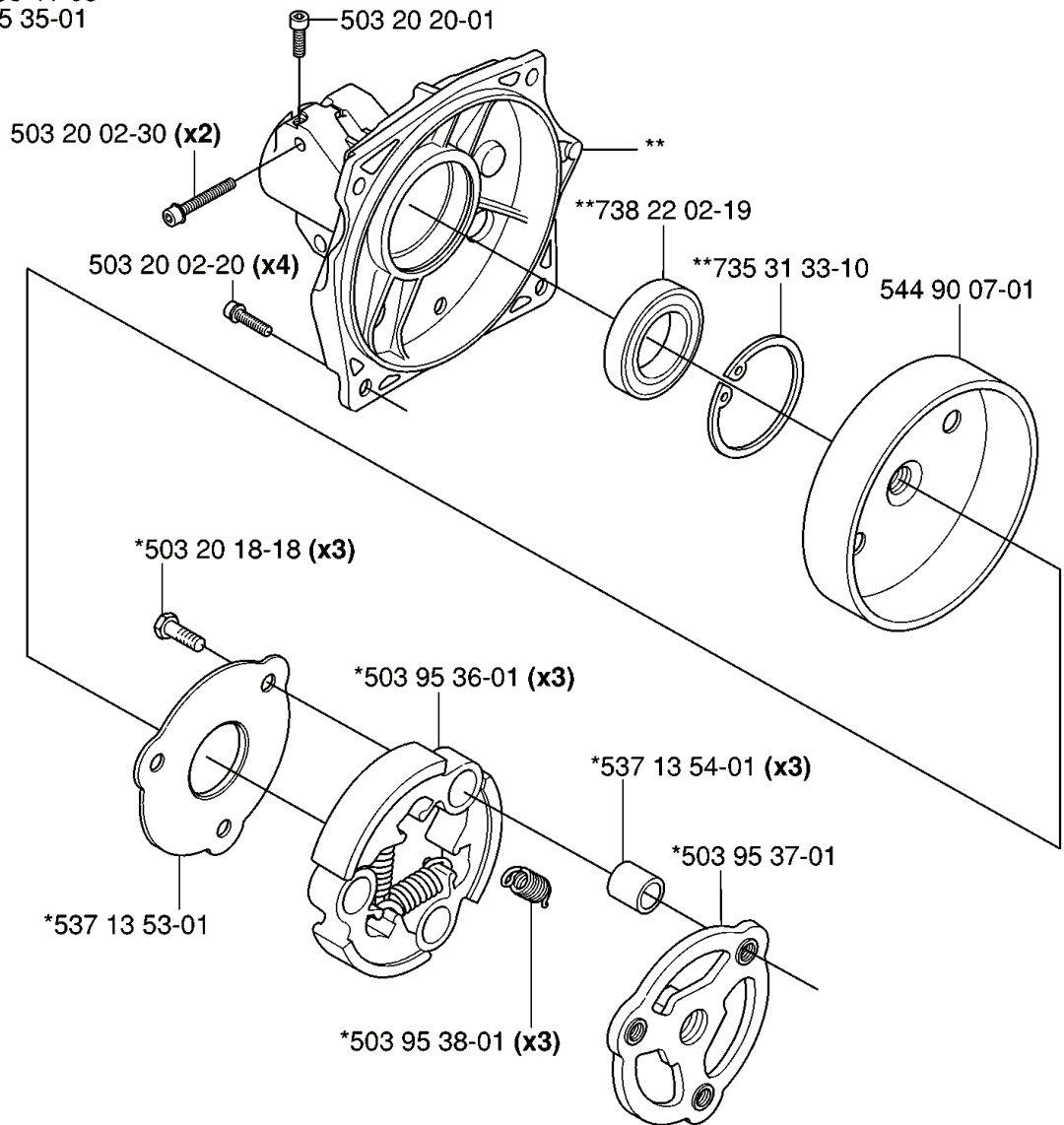
Zama C1Q-EL21 Zama C1Q-EL23



REF.	PART NO.	DESCRIPTION	REMARK	QTY.	KIT
503 28 31-16	503283116	CARBURETTOR		1	
503 28 31-18	503283118	CARBURETTOR		1	
503 47 90-01	503479001	SCREW		1	
537 01 98-01	537019801	LEVER		1	
503 47 89-01	503478901	COLLAR		1	
537 02 09-01	537020901	SHAFT ASSY		1	
503 48 19-01	503481901	COLLAR		1	
537 04 90-01	537049001	LEVER		1	
537 02 11-01	537021101	VALVE		1	
503 48 18-01	503481801	SCREW		1	
537 02 10-01	537021001	SPRING		1	
537 01 26-01	537012601	SPRING		1	
537 01 25-01	537012501	BALL		1	
503 53 57-01	503535701	STRAINER		1	
503 75 53-01	503755301	SCREW		1	
503 47 96-01	503479601	SCREW		1	
503 48 11-01	503481101	PIECE		1	
537 02 07-01	537020701	SCREW		1	
537 02 02-01	537020201	COVER		1	
537 02 01-01	537020101	GASKET		1	
537 02 00-01	537020001	DIAPHRAGM PUMP		1	
537 27 56-01	537275601	SCREW		1	
537 02 03-01	537020301	SPRING		1	
503 47 97-01	503479701	VALVE		1	
503 66 59-01	503665901	LEVER		1	
503 48 00-01	503480001	PIN RETAINING SCREW		1	
503 48 01-01	503480101	SCREW		1	
544 11 49-01	544114901	NOZZLE ASSY		1	
503 53 56-01	503535601	PLUG WELCH		1	
503 48 03-01	503480301	GASKET		1	
503 48 02-01	503480201	DIAPHRAGM		1	
503 97 43-01	503974301	COVER		1	
503 48 05-01	503480501	SCREW		2	
503 48 08-01	503480801	SPRING		2	
537 27 42-01	537274201	BOOT		1	
503 90 34-01	503903401	RETAINER		1	
503 97 40-01	503974001	WASHER		2	
537 28 71-01	537287101	SPRING		1	
537 27 54-01	537275401	SHAFT ASSY		1	
537 38 68-01	537386801	VALVE		1	
503 47 92-01	503479201	SCREW		1	

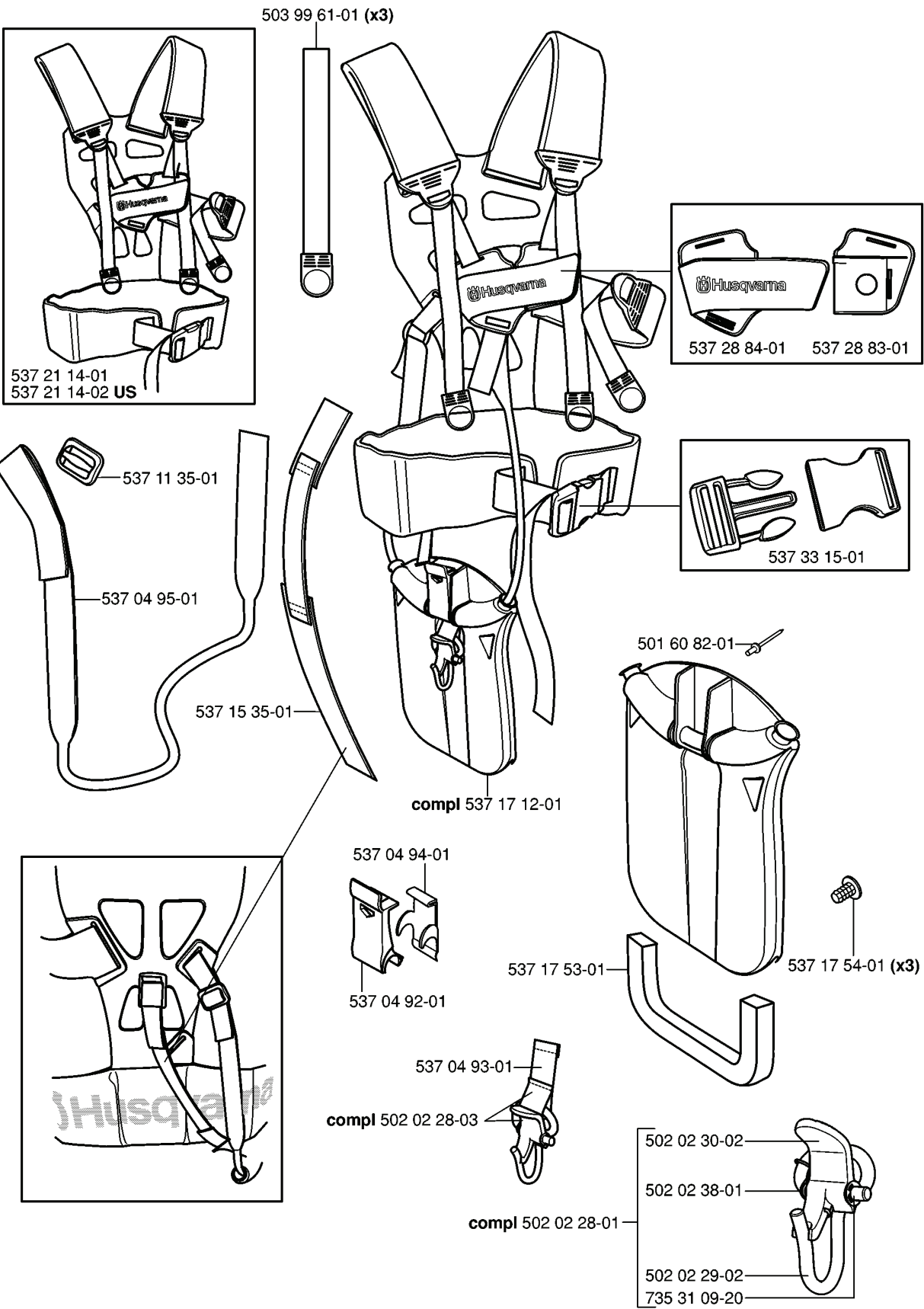
REF.	PART NO.	DESCRIPTION	REMARK	QTY.	KIT
503 90 33-01	503903301	LIMITER CAP		1	
503 90 32-01	503903201	LIMITER CAP		1	
537 27 55-01	537275501	SCREW		1	
537 38 70-01	537387001	SCREW		1	
537 38 69-01	537386901	SCREW		1	

N **compl 503 95 41-03
*compl 503 95 35-01



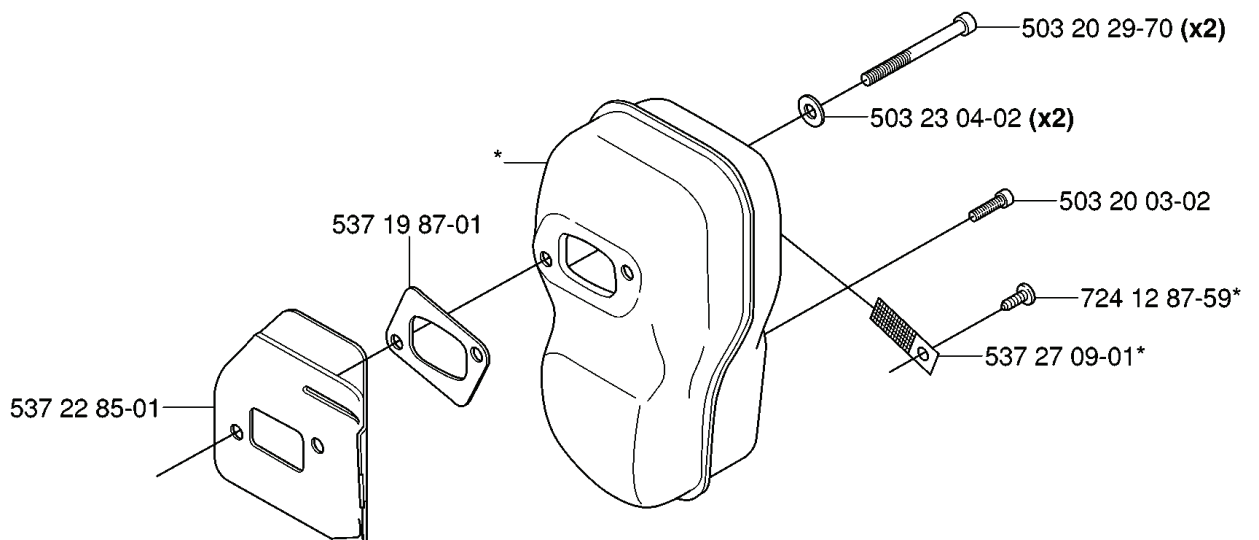
REF.	PART NO.	DESCRIPTION	REMARK	QTY.	KIT
503 95 41-03	503954103	CLUTCH COVER		1	
503 95 35-01	503953501	CLUTCH ASSY		1	
503 20 02-30	503200230	SCREW IHSCFM		2	
503 20 02-20	503200220	SCREW IHSCFM		4	
503 20 18-18	503201818	SCREW EHHM		3	
537 13 53-01	537135301	WASHER		1	
503 95 38-01	503953801	CLUTCH SPRING		3	
503 95 37-01	503953701	CLUTCH HUB		1	
537 13 54-01	537135401	BEARING BUSH		3	
503 95 36-01	503953601	CLUTCH SHOE		3	
544 90 07-01	544900701	CLUTCH DRUM ASSY		1	
735 31 33-10	735313310	CIRCLIP		1	
738 22 02-19	738220219	BALL BEARING		1	
503 20 20-01	503202001	SCREW IHSCM		1	

T 345Rx, 345Fx, 345FxT, 343FR
 compl 544 15 73-02
 compl 544 15 73-03 US



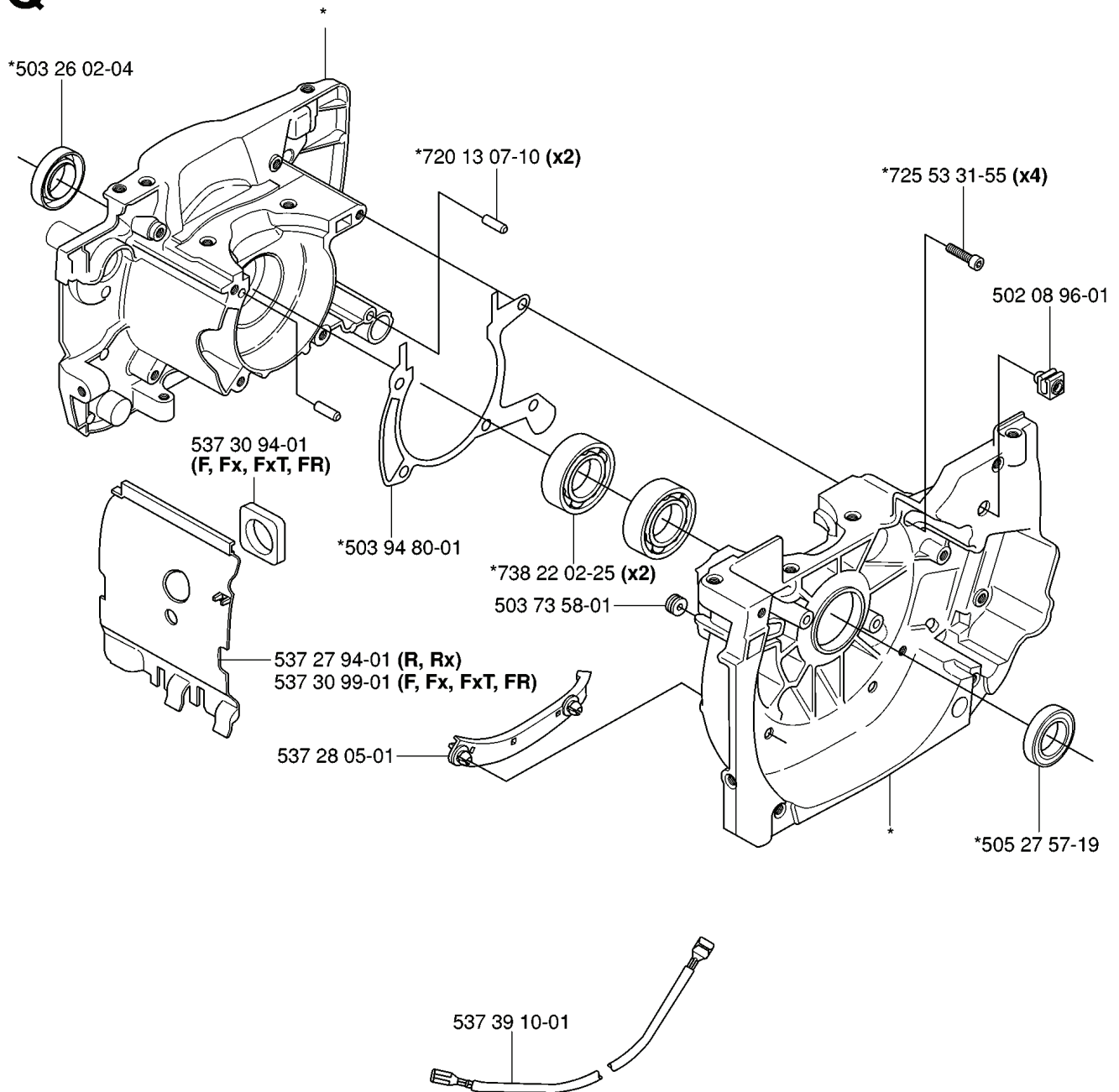
REF.	PART NO.	DESCRIPTION	REMARK	QTY.	KIT
544 15 73-02	544157302	HARNESS		1	
544 15 73-03	544157303	HARNESS		1	
503 99 61-01	503996101	BAND		3	
537 21 14-01	537211401	HARNESS		1	
537 21 14-02	537211402	HARNESS		1	
537 11 35-01	537113501	RETAINER		1	
537 04 95-01	537049501	BAND		1	
537 15 35-01	537153501	STRAP		1	
537 17 12-01	537171201	HIP PAD		1	
537 04 94-01	537049401	HIP PAD		1	
537 04 92-01	537049201	HIP PAD		1	
537 04 93-01	537049301	HIP PAD		1	
502 02 28-03	502022803	WELT HOOK		1	
502 02 28-01	502022801	HOOK		1	
735 31 09-20	735310920	E-CLIP		1	
502 02 29-02	502022902	HOOK		1	
502 02 38-01	502023801	SPRING		1	
502 02 30-02	502023002	LOCK		1	
537 17 54-01	537175401	HIP PAD		3	
537 17 53-01	537175301	HIP PAD		1	
501 60 82-01	501608201	RIVET		1	
537 33 15-01	537331501	BUCKLE		1	
537 28 84-01	537288401	BUCKLE		1	
537 28 83-01	537288301	BUCKLE		1	

H *compl 503 94 90-01 (CAT)
*compl 503 94 90-02



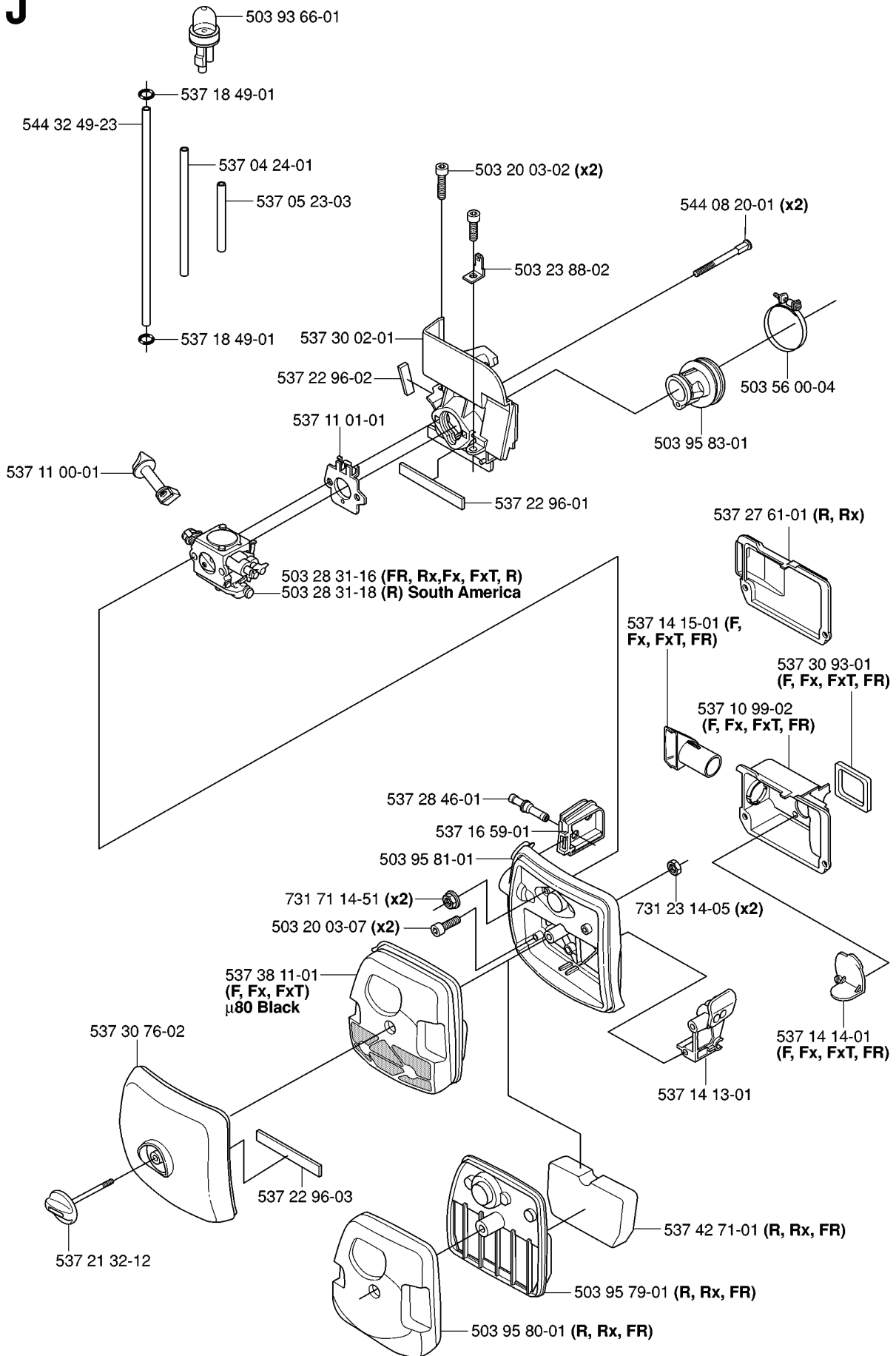
REF.	PART NO.	DESCRIPTION	REMARK	QTY.	KIT
503 94 90-01	503949001	MUFFLER ASSY		1	
503 94 90-02	503949002	MUFFLER ASSY		1	
537 19 87-01	537198701	GASKET		1	
537 22 85-01	537228501	HEAT DEFLECTOR		1	
537 27 09-01	537270901	SPARK ARRESTER SCREEN		1	
724 12 87-59	724128759	SCREW CRPANM		1	
503 20 03-02	503200302	SCREW IHSCFM		1	
503 23 04-02	503230402	WASHER		2	
503 20 29-70	503202970	SCREW IHSCFM		2	

Q *compl 537 23 04-01



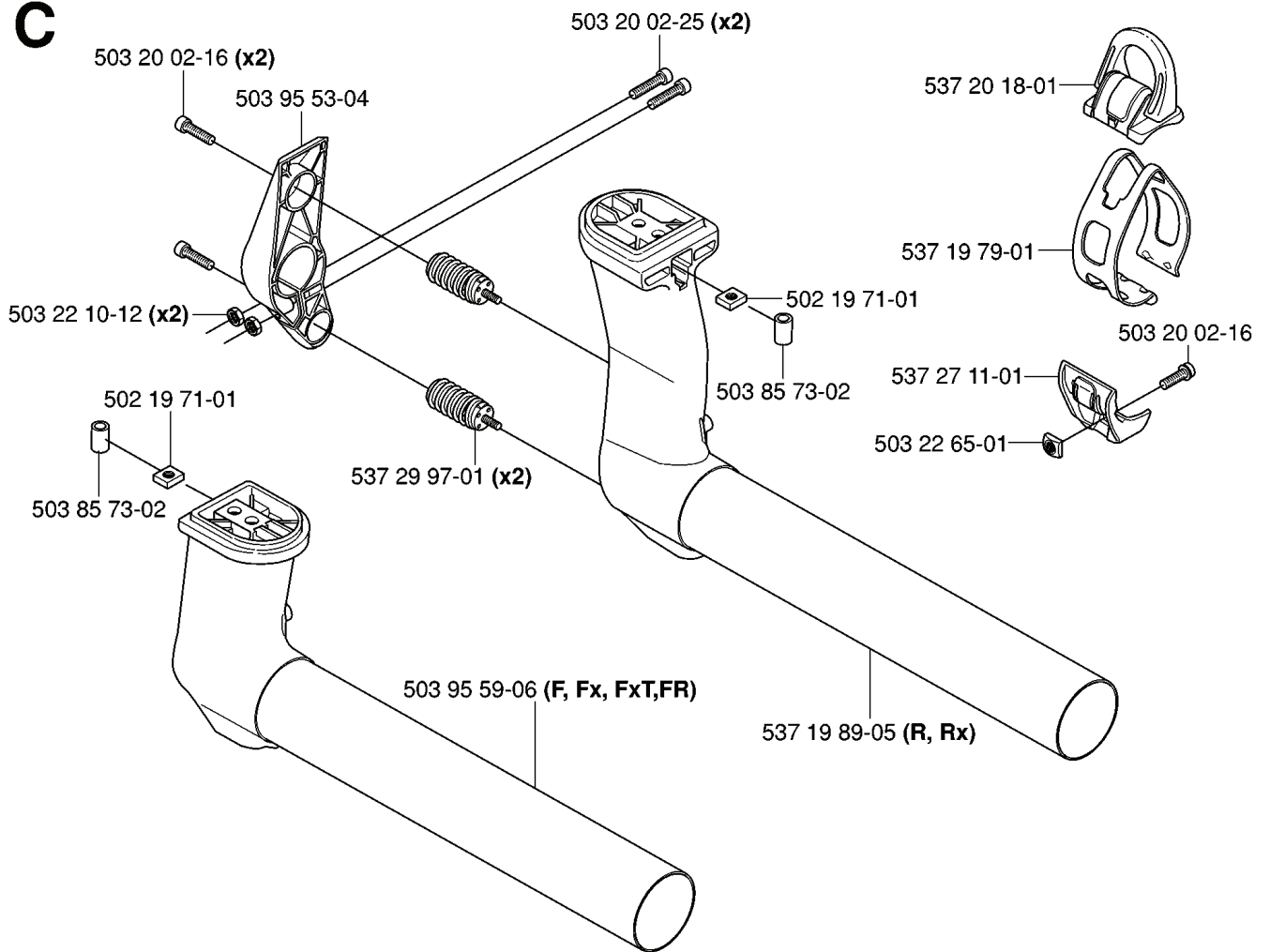
REF.	PART NO.	DESCRIPTION	REMARK	QTY.	KIT
537 23 04-01	537230401	CRANKCASE		1	
503 26 02-04	503260204	SEALING RING		1	
537 30 94-01	537309401	SEALING		1	
503 94 80-01	503948001	GASKET		1	
537 27 94-01	537279401	WALL		1	
537 30 99-01	537309901	WALL		1	
537 28 05-01	537280501	CABLE HOLDER		1	
537 39 10-01	537391001	SHORT CIRCUIT CABLE		1	
505 27 57-19	505275719	SEALING RING		1	
503 73 58-01	503735801	BUSHING		1	
738 22 02-25	738220225	BALL BEARING		2	
720 13 07-10	720130710	PARALLEL PIN		2	
502 08 96-01	502089601	CABLE HOLDER		1	
725 53 31-55	725533155	SCREW IHSCM		4	

J



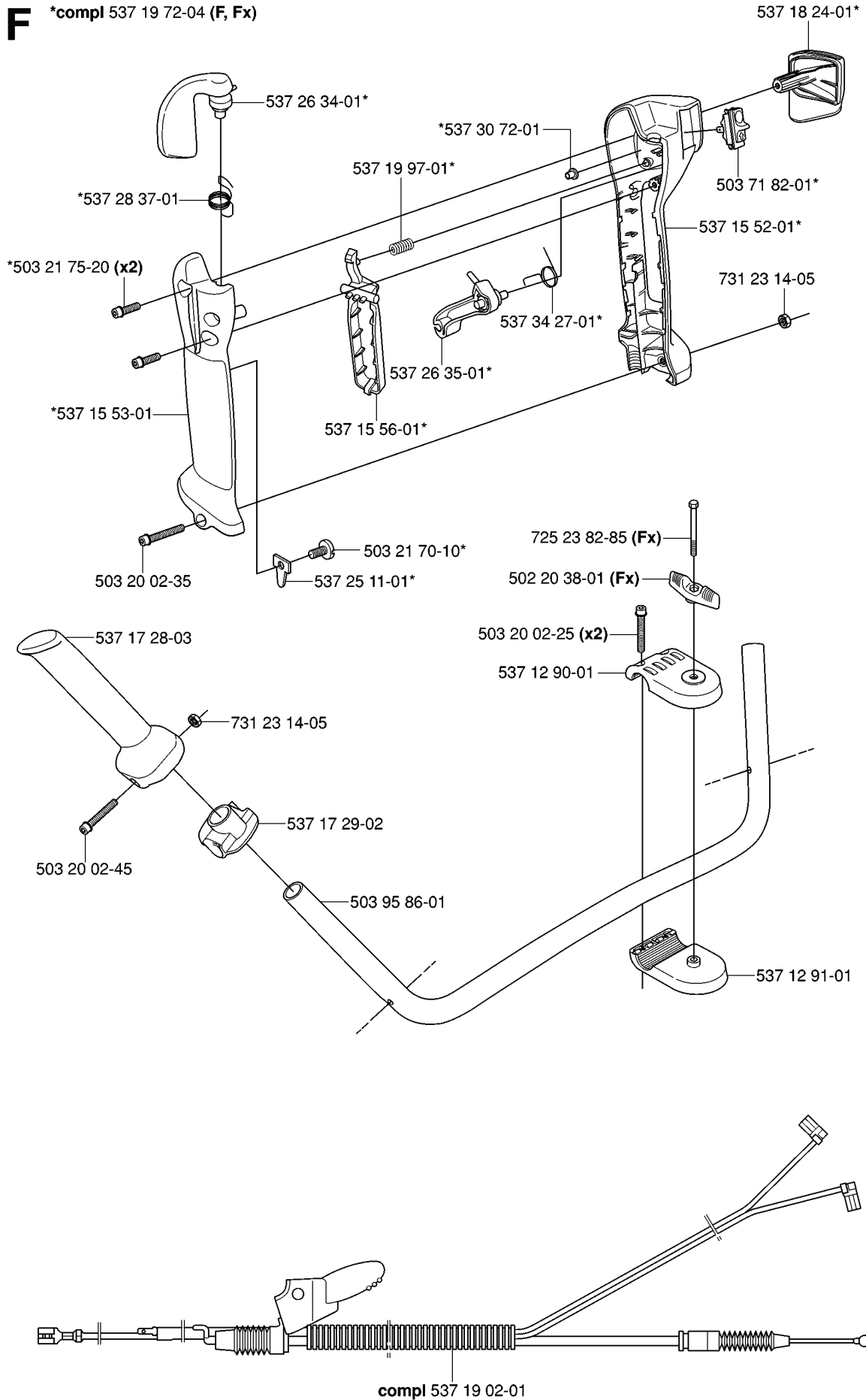
REF.	PART NO.	DESCRIPTION	REMARK	QTY.	KIT
5039366-01	503936601	PURGE		1	
5371849-01	537184901	O-RING		1	
5443249-23	544324923	FUEL HOSE		1	
5370424-01	537042401	FUEL HOSE		1	
5370523-03	537052303	FUEL HOSE		1	
5371100-01	537110001	CHOKE CONTROL		1	
5373076-02	537307602	FILTER COVER ASSY		1	
5372132-12	537213212	KNOB		1	
5372296-03	537229603	MOULDING		1	
5373811-01	537381101	FILTER		1	
7317114-51	731711451	HEXAGON NUT FLANGE		2	
5039581-01	503958101	FILTER HOLDER		1	
5371659-01	537165901	GROMMET		1	
5372846-01	537284601	NIPPLE		1	
5032831-18	503283118	CARBURETTOR		1	
5032831-16	503283116	CARBURETTOR		1	
5371101-01	537110101	SPACER		1	
5372296-02	537229602	MOULDING		1	
5373002-01	537300201	INSULATION WALL		1	
5032003-02	503200302	SCREW IHSCFM		2	
5032388-02	503238802	FLAT PIN		1	
5372296-01	537229601	MOULDING		1	
5039580-01	503958001	HUB CAP		1	
5039579-01	503957901	RETAINER		1	
5374271-01	537427101	AIR FILTER		1	
5371413-01	537141301	CHISEL GUIDE		1	
5371414-01	537141401	HUB CAP		1	
7312314-05	731231405	HEXAGON NUT		2	
5371099-02	537109902	MUFFLER		1	
5373093-01	537309301	SEALING		1	
5371415-01	537141501	AIR INTAKE		1	
5372761-01	537276101	MUFFLER		1	
5039583-01	503958301	BELLOWS		1	
5035600-04	503560004	HOSE CLAMP		1	
5440820-01	544082001	SCREW		2	

C



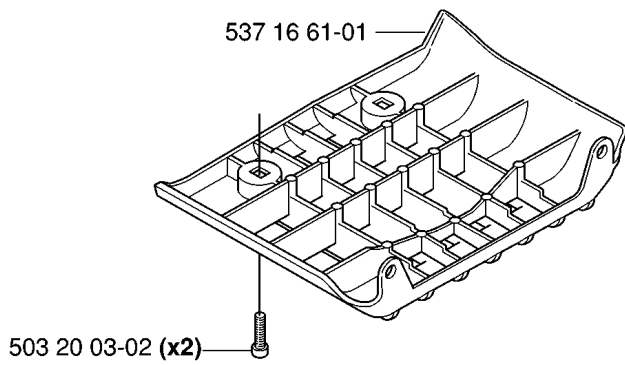
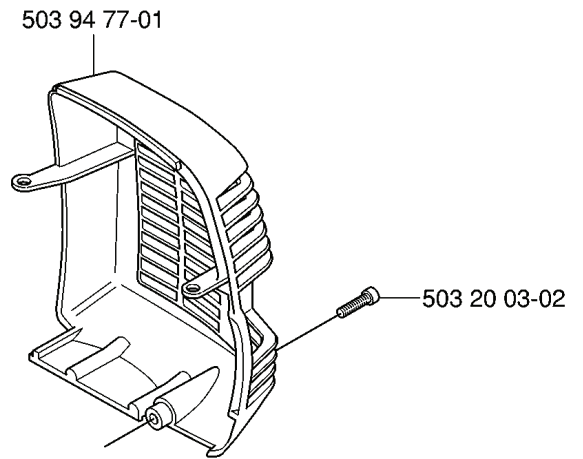
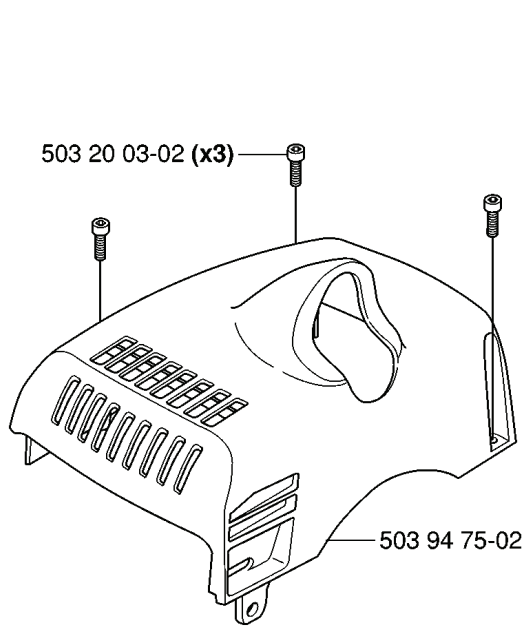
REF.	PART NO.	DESCRIPTION	REMARK	QTY.	KIT
503 20 02-16	503200216	SCREW IHSCFM		2	
503 95 53-04	503955304	HOLDER ANTIVIBRATION		1	
503 22 10-12	503221012	HEXAGON NUT		2	
537 19 89-05	537198905	SUSPENSION		1	
503 95 59-06	503955906	SUSPENSION		1	
537 29 97-01	537299701	ANTIVIBRATION ELEMENT		2	
503 20 02-25	503200225	SCREW IHSCFM		2	
502 19 71-01	502197101	SQUARE NUT		1	
503 85 73-02	503857302	COVER		1	
503 22 65-01	503226501	SQUARE NUT		1	
537 27 11-01	537271101	GUIDE RAIL		1	
537 19 79-01	537197901	BAND		1	
537 20 18-01	537201801	LOOP		1	


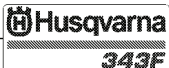
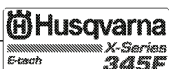

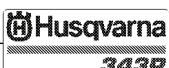

F *compl 537 19 72-04 (F, Fx)



REF.	PART NO.	DESCRIPTION	REMARK	QTY.	KIT
537 19 72-04	537197204	THROTTLE HANDLE		1	
537 26 34-01	537263401	THROTTLE TRIGGER		1	
537 28 37-01	537283701	SPRING THROTTLE TRIG		1	
503 21 75-20	503217520	SCREW IHSCFT		2	
537 15 53-01	537155301	HANDLE HALF		1	
503 20 02-35	503200235	SCREW IHSCFM		1	
537 17 28-03	537172803	HANDLE		1	
503 20 02-45	503200245	SCREW IHSCFM		1	
537 19 02-01	537190201	WIRING ASSY		1	
503 95 86-01	503958601	HANDLEBAR		1	
537 17 29-02	537172902	BRACKET		1	
537 25 11-01	537251101	SECURING PLATE		1	
503 21 70-10	503217010	SCREW CCRPANT		1	
537 15 56-01	537155601	THROTTLE LOCKOUT		1	
537 26 35-01	537263501	THROTTLE LEVER		1	
537 19 97-01	537199701	SPRING		1	
537 30 72-01	537307201	SLEEVE		1	
537 34 27-01	537342701	SPRING		1	
725 23 82-85	725238285	SCREW EHHM		1	
502 20 38-01	502203801	KNOB		1	
503 20 02-25	503200225	SCREW IHSCFM		2	
537 12 90-01	537129001	HANDLEBAR BRACKET		1	
537 12 91-01	537129101	HANDLE BRACKET		1	
731 23 14-05	731231405	HEXAGON NUT		1	
537 15 52-01	537155201	HANDLE HALF		1	
503 71 82-01	503718201	SWITCH		1	
537 18 24-01	537182401	COVER		1	

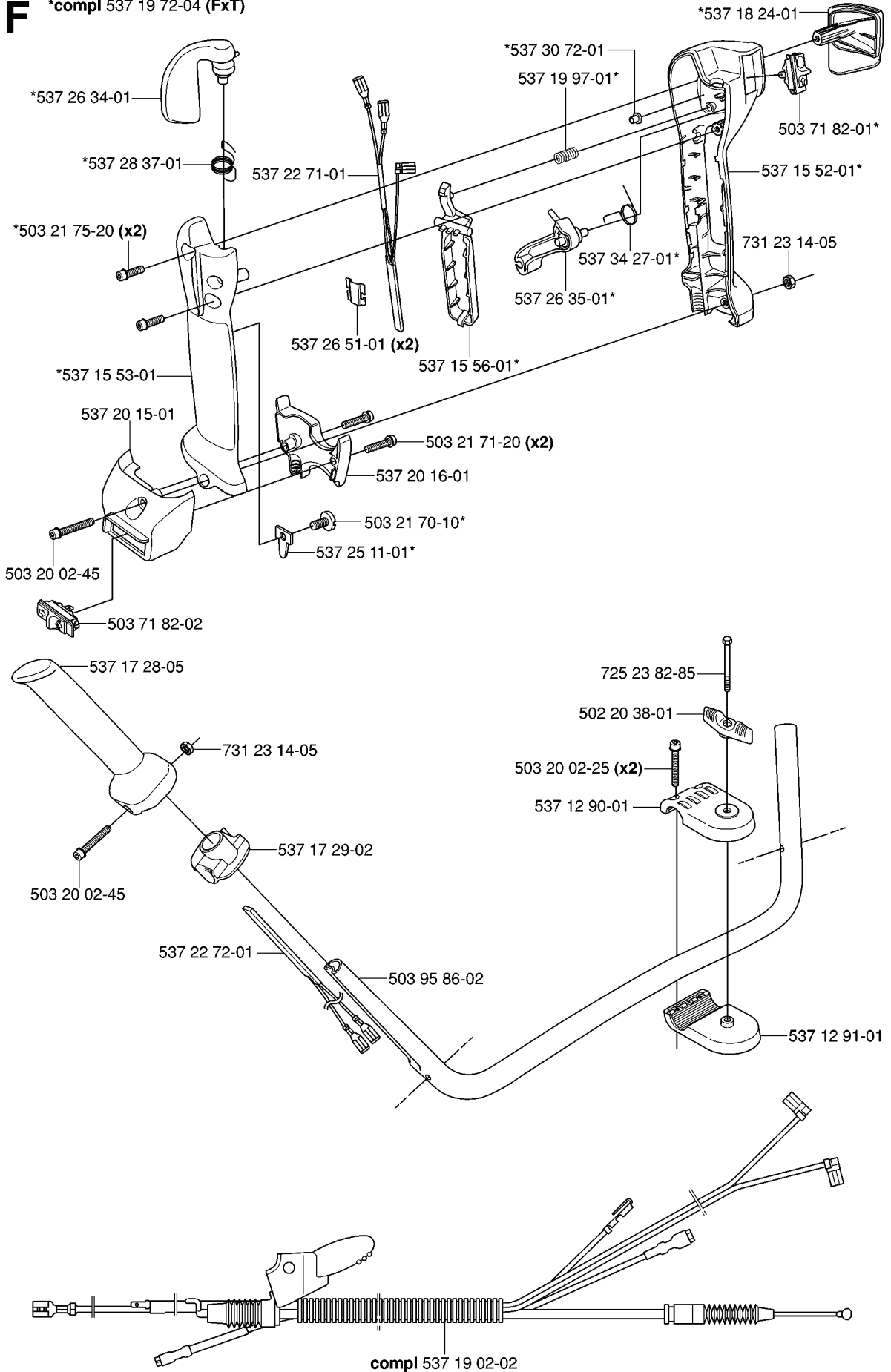
G



- 537 35 68-07 (343FR)  **Husqvarna**
343FR
- 537 35 68-01 (343F)  **Husqvarna**
343F
- 537 35 68-02 (345Fx)  **Husqvarna**
X-Series
E-etch 345F
- 537 35 68-03 (345FxT)  **Husqvarna**
XT-Series
E-etch 345F
- 537 35 68-04 (343R)  **Husqvarna**
343R
- 537 35 68-05 (345Rx)  **Husqvarna**
X-Series
E-etch 345R

REF.	PART NO.	DESCRIPTION	REMARK	QTY.	KIT
5039475-02	503947502	CYLINDER COVER		1	
5371661-01	537166101	PROTECTIVE COVER		1	
5032003-02	503200302	SCREW IHSCFM		2	
5373568-05	537356805	LABEL		1	
5373568-04	537356804	LABEL		1	
5373568-03	537356803	LABEL		1	
5373568-02	537356802	LABEL		1	
5373568-01	537356801	LABEL		1	
5373568-07	537356807	LABEL		1	
5039477-01	503947701	HEAT PROTECTOR		1	

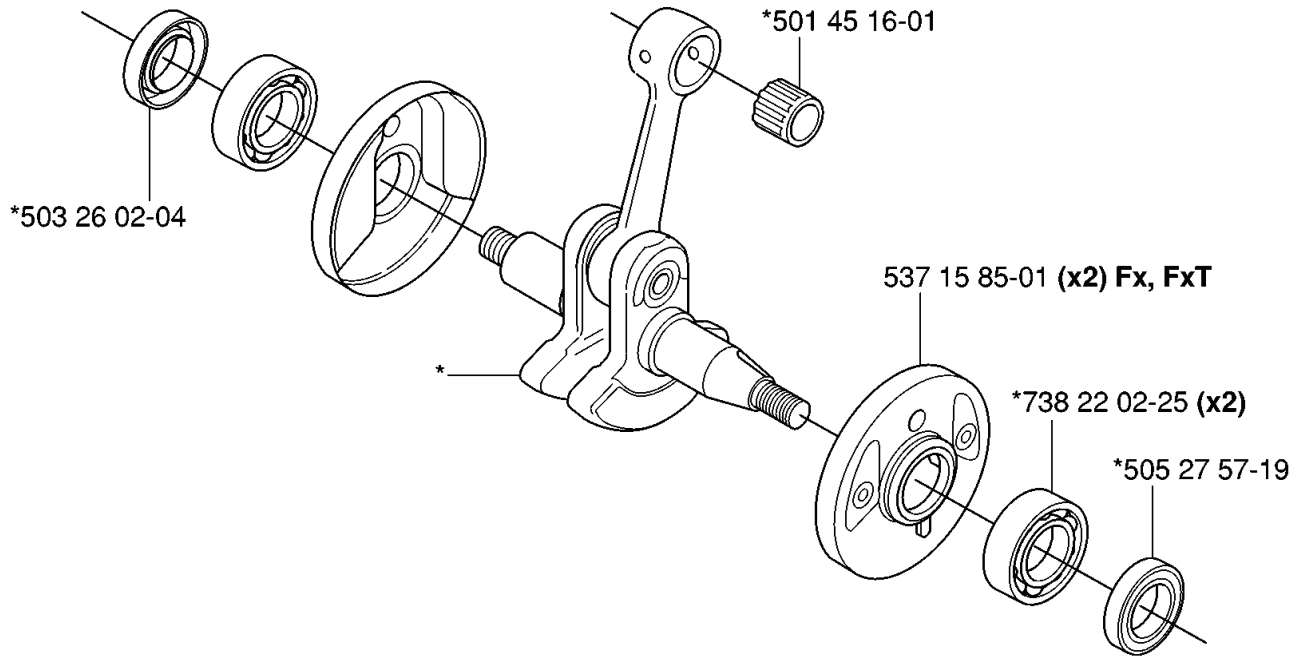
F *compl 537 19 72-04 (FxF)



REF.	PART NO.	DESCRIPTION	REMARK	QTY.	KIT
537 19 72-04	537197204	THROTTLE HANDLE		1	
537 26 34-01	537263401	THROTTLE TRIGGER		1	
537 28 37-01	537283701	SPRING THROTTLE TRIG		1	
503 21 75-20	503217520	SCREW IHSCFT		2	
537 15 53-01	537155301	HANDLE HALF		1	
537 20 15-01	537201501	RETAINER		1	
503 20 02-45	503200245	SCREW IHSCFM		1	
503 71 82-02	503718202	SWITCH		1	
537 17 28-05	537172805	HANDLE		1	
537 22 72-01	537227201	ELEMENT		1	
537 19 02-02	537190202	WIRING ASSY		1	
503 95 86-02	503958602	HANDLEBAR		1	
537 17 29-02	537172902	BRACKET		1	
731 23 14-05	731231405	HEXAGON NUT		1	
537 25 11-01	537251101	SECURING PLATE		1	
503 21 70-10	503217010	SCREW CCRPANT		1	
537 20 16-01	537201601	RETAINER		1	
503 21 71-20	503217120	SCREW IHSCFT		2	
537 15 56-01	537155601	THROTTLE LOCKOUT		1	
537 26 51-01	537265101	SECURING PLATE		2	
537 22 71-01	537227101	ELEMENT		1	
537 30 72-01	537307201	SLEEVE		1	
537 19 97-01	537199701	SPRING		1	
537 34 27-01	537342701	SPRING		1	
537 26 35-01	537263501	THROTTLE LEVER		1	
725 23 82-85	725238285	SCREW EHHM		1	
502 20 38-01	502203801	KNOB		1	
503 20 02-25	503200225	SCREW IHSCFM		2	
537 12 90-01	537129001	HANDLEBAR BRACKET		1	
537 12 91-01	537129101	HANDLE BRACKET		1	
537 15 52-01	537155201	HANDLE HALF		1	
503 71 82-01	503718201	SWITCH		1	
537 18 24-01	537182401	COVER		1	

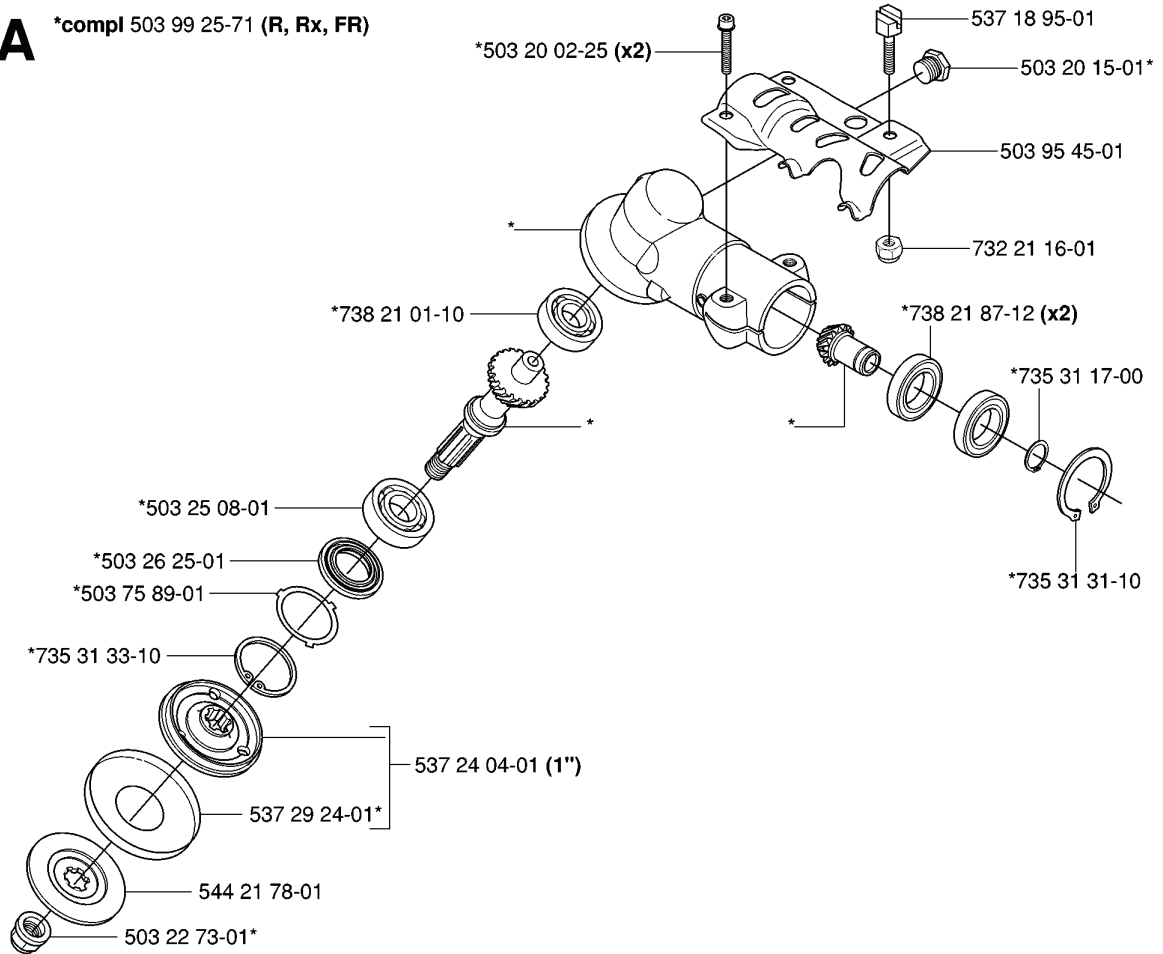
P

*compl 537 18 97-02

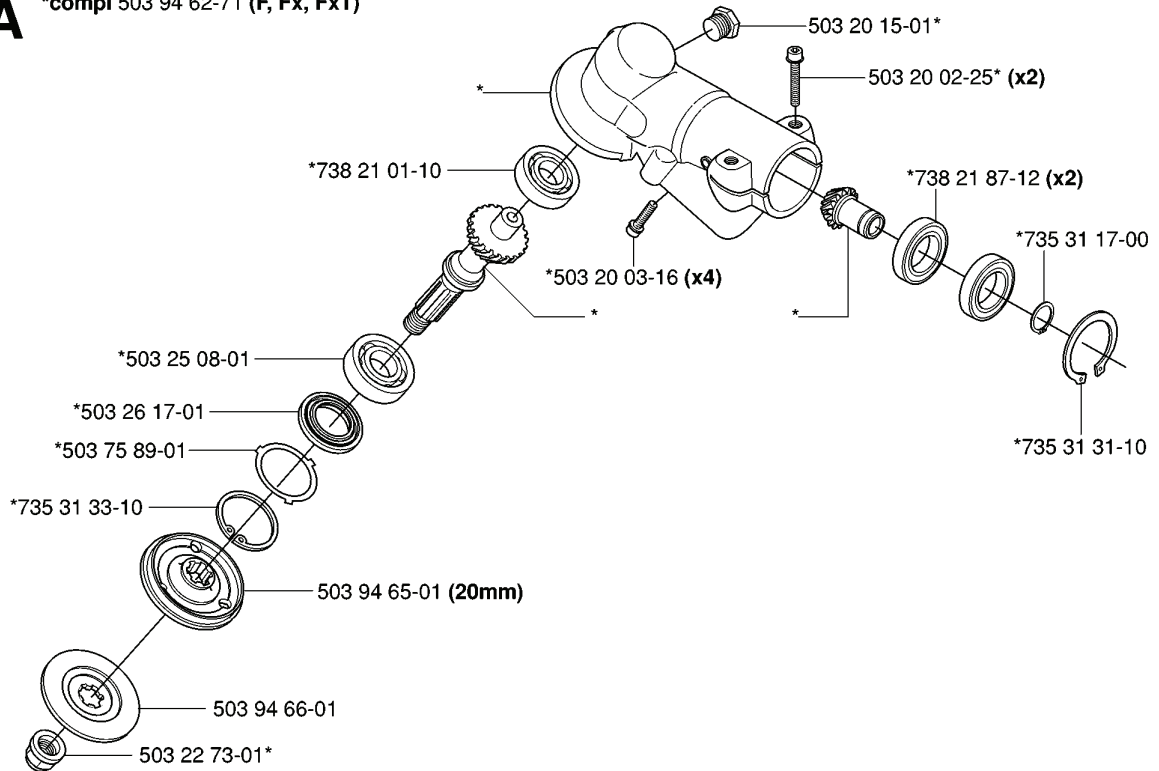


REF.	PART NO.	DESCRIPTION	REMARK	QTY.	KIT
537 18 97-02	537189702	CRANKSHAFT		1	
503 26 02-04	503260204	SEALING RING		1	
505 27 57-19	505275719	SEALING RING		1	
738 22 02-25	738220225	BALL BEARING		2	
537 15 85-01	537158501	CUP		2	
501 45 16-01	501451601	NEEDLE BEARING		1	

A *compl 503 99 25-71 (R, Rx, FR)

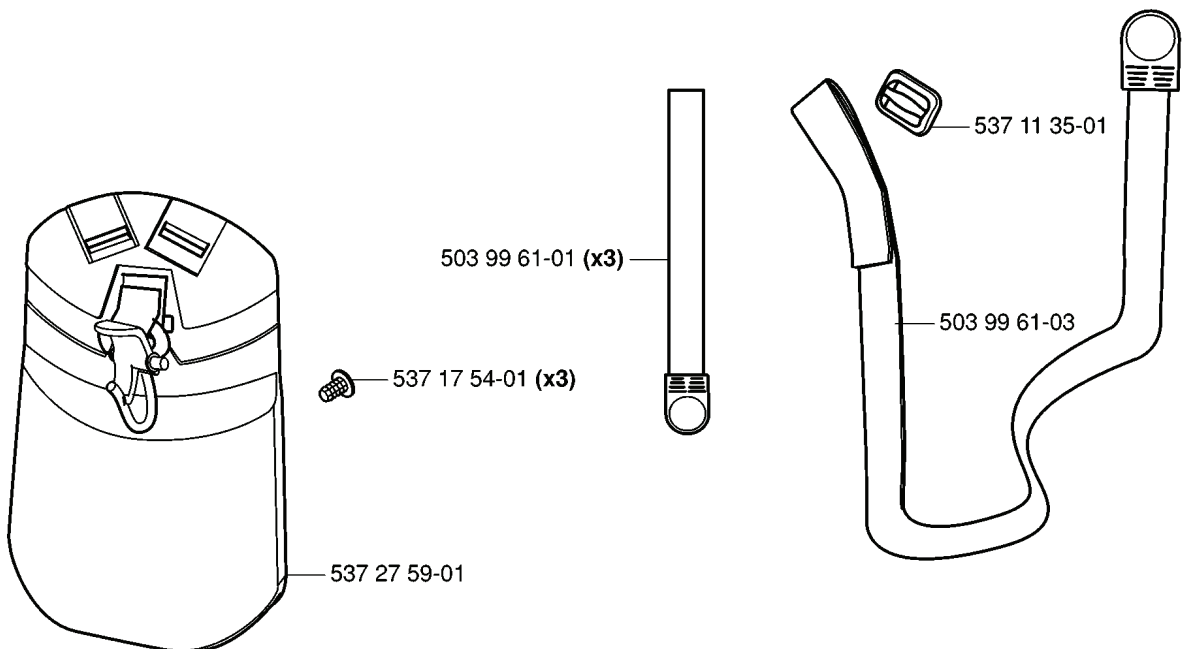
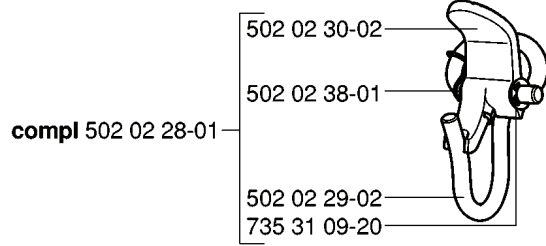
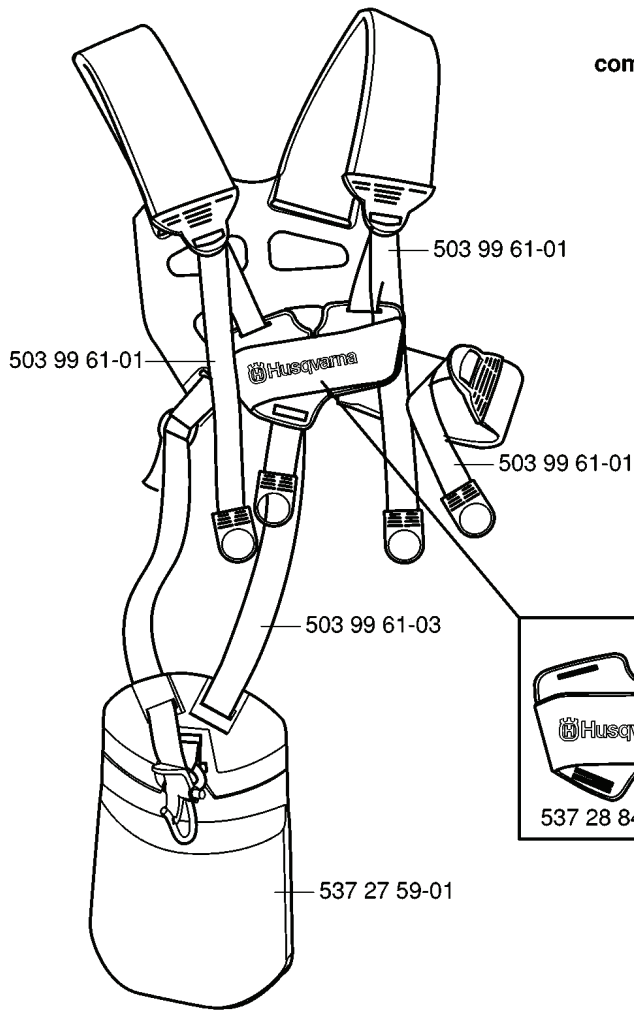


A *compl 503 94 62-71 (F, Fx, FxT)



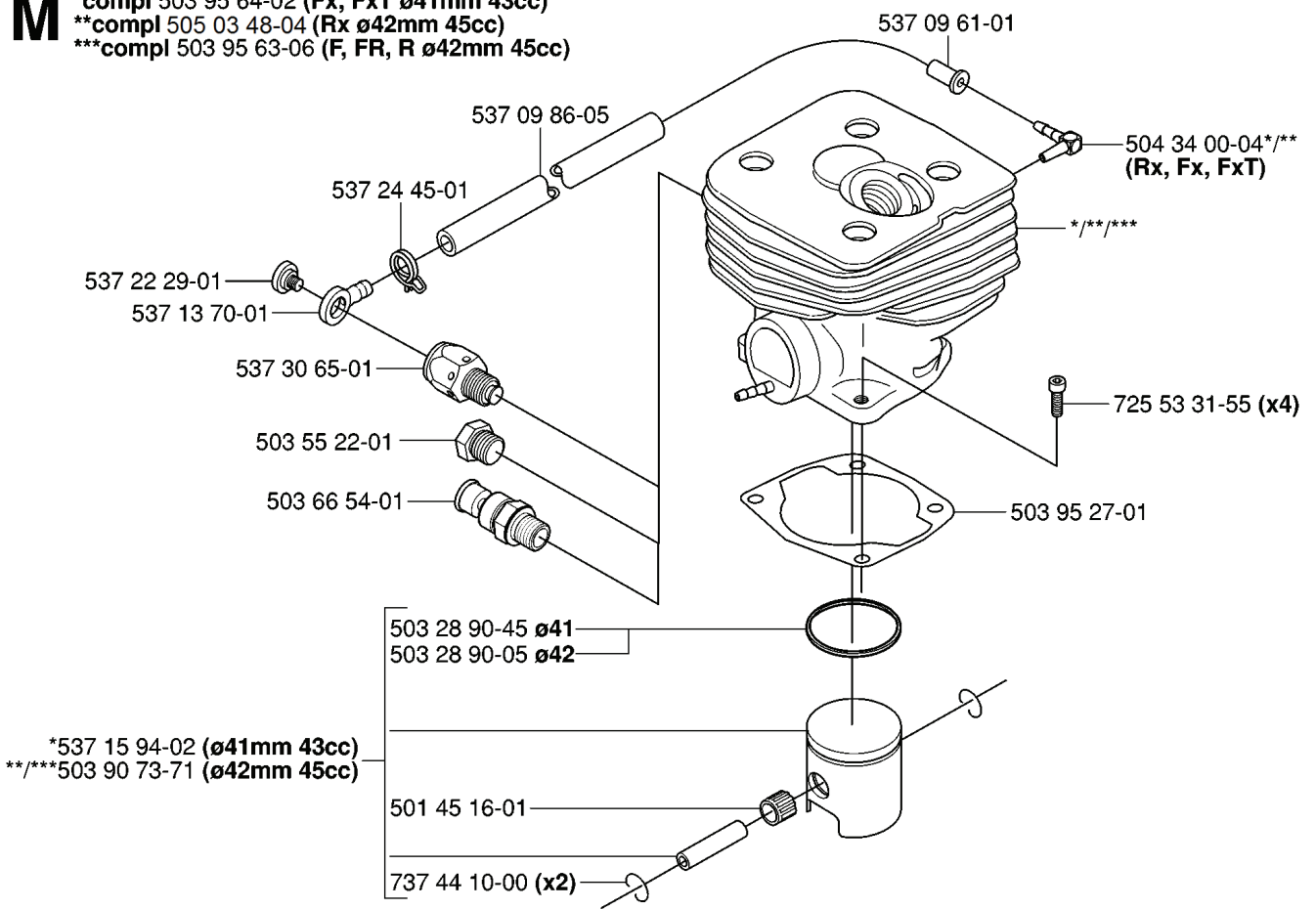
REF.	PART NO.	DESCRIPTION	REMARK	QTY.	KIT
503 94 62-71	503946271	GEAR		1	
503 99 25-71	503992571	GEAR		1	
503 20 02-25	503200225	SCREW IHSCFM		2	
738 21 01-10	738210110	BALL BEARING		1	
503 26 17-01	503261701	SEALING		1	
503 25 08-01	503250801	BEARING		1	
503 26 25-01	503262501	SEALING		1	
503 75 89-01	503758901	COVER WASHER		1	
735 31 33-10	735313310	CIRCLIP		1	
503 94 66-01	503946601	SUPPORT FLANGE		1	
503 22 73-01	503227301	NUT		1	
503 94 65-01	503946501	DRIVER		1	
544 21 78-01	544217801	SUPPORT FLANGE		1	
503 20 03-16	503200316	SCREW IHSCFM		4	
537 29 24-01	537292401	CUP		1	
537 24 04-01	537240401	DRIVER ASSY		1	
735 31 31-10	735313110	CIRCLIP		1	
735 31 17-00	735311700	CIRCLIP		1	
738 21 87-12	738218712	BALL BEARING		2	
732 21 16-01	732211601	LOCK NUT		1	
503 95 45-01	503954501	ATTACHMENT PLATE		1	
503 20 15-01	503201501	SCREW		1	
537 18 95-01	537189501	SCREW		1	

T 343R, 343F
 *compl 537 27 57-01
 *compl 537 27 57-03 US



REF.	PART NO.	DESCRIPTION	REMARK	QTY.	KIT
537 27 57-01	537275701	HARNESS		1	
537 27 57-03	537275703	HARNESS		1	
537 27 59-01	537275901	HIP PAD		1	
503 99 61-01	503996101	BAND		3	
537 17 54-01	537175401	HIP PAD		3	
503 99 61-03	503996103	BAND		1	
537 11 35-01	537113501	RETAINER		1	
537 28 83-01	537288301	BUCKLE		1	
537 28 84-01	537288401	BUCKLE		1	
502 02 28-01	502022801	HOOK		1	
735 31 09-20	735310920	E-CLIP		1	
502 02 29-02	502022902	HOOK		1	
502 02 38-01	502023801	SPRING		1	
502 02 30-02	502023002	LOCK		1	

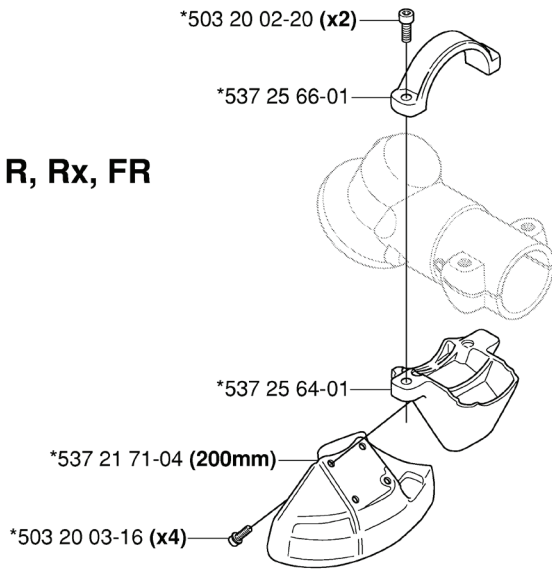
M *compl 503 95 64-02 (Fx, FxT ø41mm 43cc)
 **compl 505 03 48-04 (Rx ø42mm 45cc)
 ***compl 503 95 63-06 (F, FR, R ø42mm 45cc)



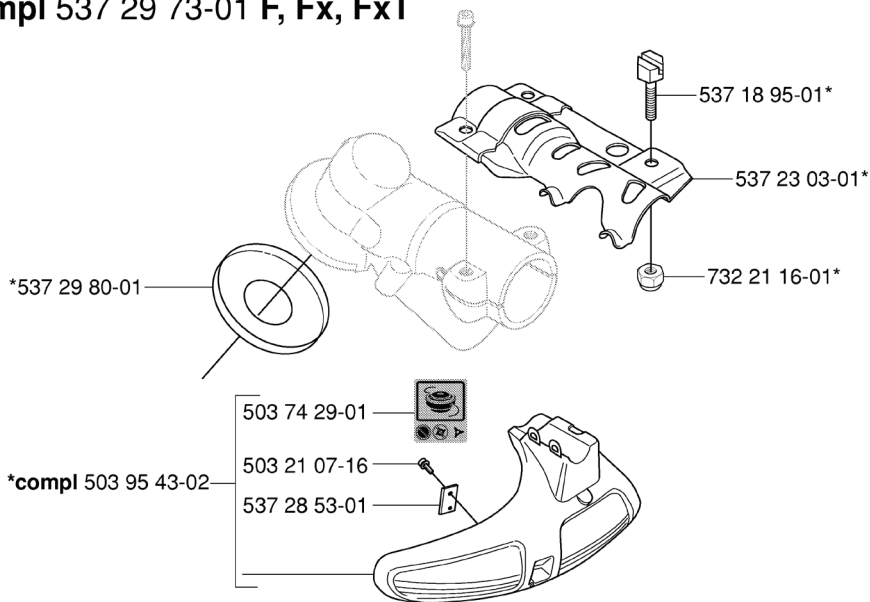
REF.	PART NO.	DESCRIPTION	REMARK	QTY.	KIT
503 95 64-02	503956402	CYLINDER ASSY		1	
505 03 48-04	505034804	CYLINDER ASSY		1	
503 95 63-06	503956306	CYLINDER ASSY		1	
537 09 86-05	537098605	HOSE		1	
537 24 45-01	537244501	HOSE CLAMP		1	
537 22 29-01	537222901	SCREW		1	
537 13 70-01	537137001	NIPPLE		1	
537 30 65-01	537306501	DECOMPRESSION VALVE		1	
503 55 22-01	503552201	PLUG		1	
503 66 54-01	503665401	DECOMPRESSION VALVE		1	
537 15 94-02	537159402	PISTON ASSY		1	
503 90 73-71	503907371	PISTON ASSY		1	
737 44 10-00	737441000	SNAP RING		2	
501 45 16-01	501451601	NEEDLE BEARING		1	
503 28 90-05	503289005	PISTON RING		1	
503 28 90-45	503289045	PISTON RING		1	
503 95 27-01	503952701	GASKET		1	
725 53 31-55	725533155	SCREW IHSCM		4	
504 34 00-04	504340004	FITTING		1	
537 09 61-01	537096101	VALVE SLEEVE		1	

S Accessories
 Zubehöre
 Accessoires
 Accesorios
 Tillbehör

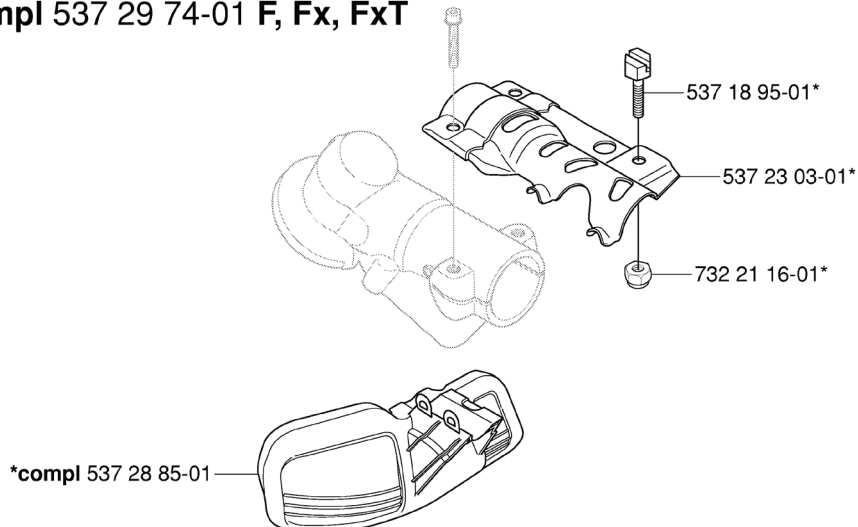
***compl 537 31 09-02 R, Rx, FR**



***compl 537 29 73-01 F, Fx, FxT**

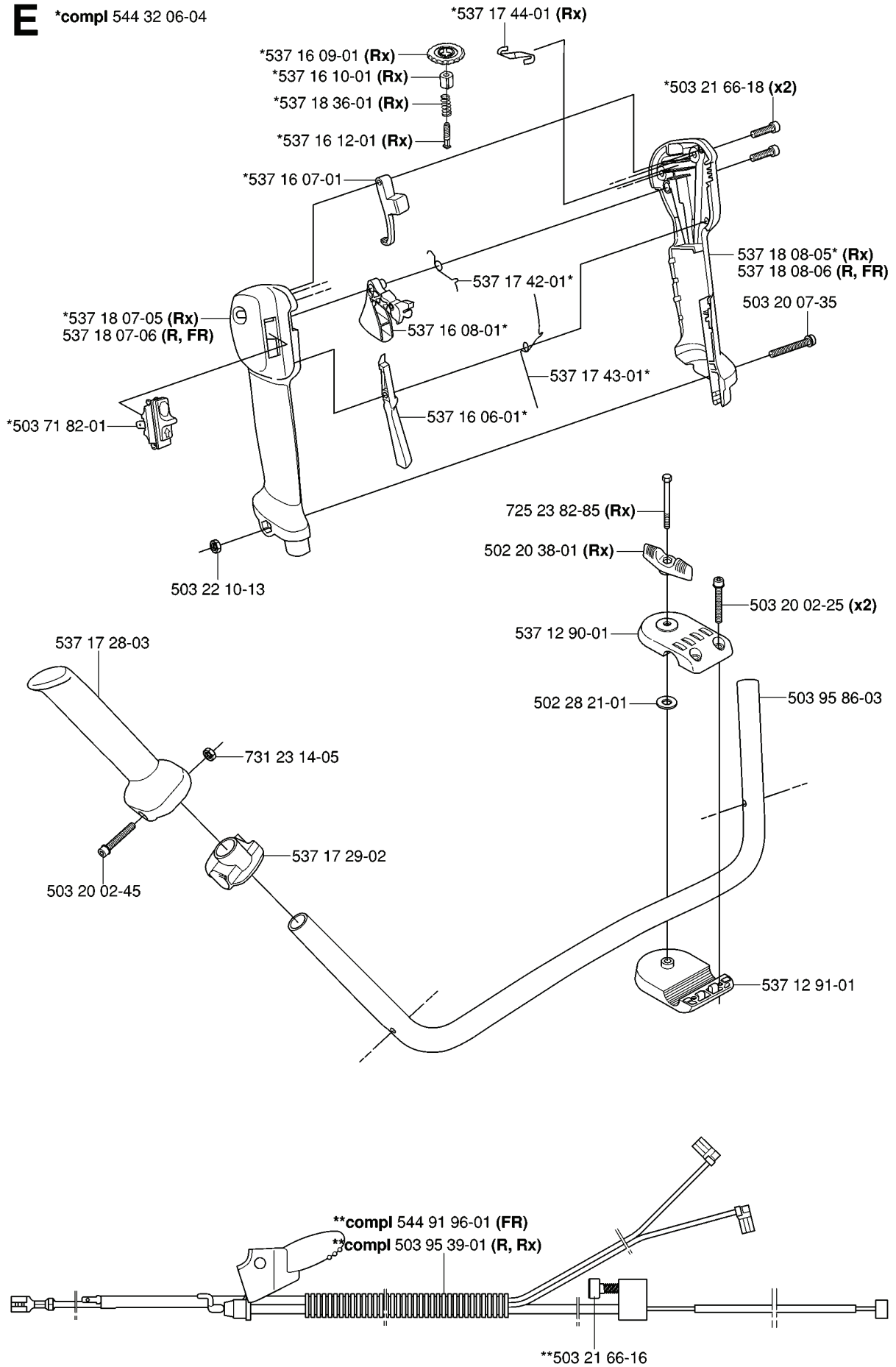


***compl 537 29 74-01 F, Fx, FxT**



REF.	PART NO.	DESCRIPTION	REMARK	QTY.	KIT
537 31 09-02	537310902	SAW BLADE GUARD		1	
503 20 03-16	503200316	SCREW IHSCFM		4	
503 21 07-16	503210716	SCREW IHSCF		1	
503 74 29-01	503742901	DECAL		1	
537 21 71-04	537217104	BLADE GUARD		1	
537 25 64-01	537256401	ADAPTER		1	
503 95 43-02	503954302	TRIMMER GUARD		1	
537 18 95-01	537189501	SCREW		1	
537 25 66-01	537256601	CLAMP		1	
503 20 02-20	503200220	SCREW IHSCFM		2	
537 23 03-01	537230301	ATTACHMENT PLATE		1	
537 28 53-01	537285301	BLADE		1	
537 28 85-01	537288501	BLADE GUARD		1	
537 29 73-01	537297301	TRIMMER GUARD ASSY		1	
537 29 74-01	537297401	BLADE GUARD		1	
537 29 80-01	537298001	CUP		1	
732 21 16-01	732211601	LOCK NUT		1	

E *compl 544 32 06-04



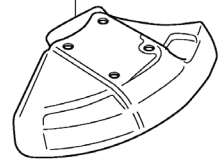
REF.	PART NO.	DESCRIPTION	REMARK	QTY.	KIT
544 32 06-04	544320604	THROTTLE HANDLE ASSY		1	
537 16 09-01	537160901	STEERING WHEEL		1	
537 16 10-01	537161001	HUB		1	
537 18 36-01	537183601	SPRING		1	
537 16 12-01	537161201	SCREW		1	
537 16 07-01	537160701	THROTTLE LOCKOUT		1	
537 18 07-05	537180705	HANDLE HALF		1	
537 18 07-06	537180706	HANDLE HALF		1	
503 71 82-01	503718201	SWITCH		1	
503 22 10-13	503221013	HEXAGON NUT		1	
537 17 28-03	537172803	HANDLE		1	
503 20 02-45	503200245	SCREW IHSCFM		1	
503 95 39-01	503953901	WIRING		1	
544 91 96-01	544919601	WIRING ASSY		1	
537 17 29-02	537172902	BRACKET		1	
731 23 14-05	731231405	HEXAGON NUT		1	
537 17 44-01	537174401	SPRING		1	
537 17 42-01	537174201	SPRING THROTTLE TRIG		1	
537 16 08-01	537160801	THROTTLE TRIGGER		1	
537 16 06-01	537160601	THROTTLE LOCKOUT		1	
537 17 43-01	537174301	SPRING		1	
725 23 82-85	725238285	SCREW EHHM		1	
502 20 38-01	502203801	KNOB		1	
537 12 90-01	537129001	HANDLEBAR BRACKET		1	
502 28 21-01	502282101	WASHER		1	
503 21 66-16	503216616	SCREW IHST		1	
537 12 91-01	537129101	HANDLE BRACKET		1	
503 95 86-03	503958603	HANDLEBAR		1	
503 20 02-25	503200225	SCREW IHSCFM		2	
503 20 07-35	503200735	SCREW IHSCFM		1	
537 18 08-06	537180806	HANDLE HALF		1	
537 18 08-05	537180805	HANDLE HALF		1	
503 21 66-18	503216618	SCREW IHST		2	

S Accessories
Zubehöre
Accessoires
Accesorios
Tillbehör

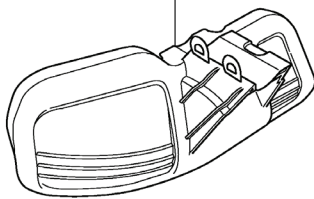
537 30 66-01
Triobalance
Tool bag



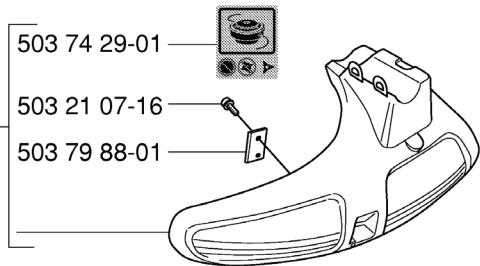
502 03 94-06 (225mm)
537 21 71-04 (200mm)



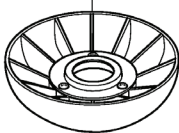
compl 537 28 85-01



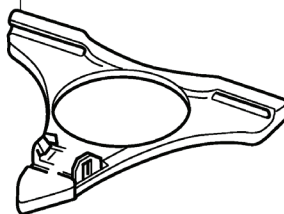
compl 503 95 43-01



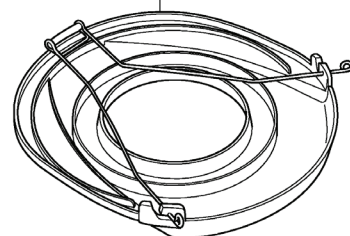
502 15 70-02



502 26 23-01



537 31 29-01 (200-275 mm)



REF.	PART NO.	DESCRIPTION	REMARK	QTY.	KIT
537 30 66-01	537306601	BAG		1	
537 28 85-01	537288501	BLADE GUARD		1	
502 15 70-02	502157002	SUPPORT CUP		1	
502 26 23-01	502262301	TRIMMER GUARD ASSY		1	
537 31 29-01	537312901	TRANSPORT GUARD		1	
503 79 88-01	503798801	BLADE		1	
503 21 07-16	503210716	SCREW IHSCT		1	
503 74 29-01	503742901	DECAL		1	
503 95 43-01	503954301	TRIMMER GUARD ASSY		1	
537 21 71-04	537217104	BLADE GUARD		1	
502 03 94-06	502039406	SAW BLADE GUARD		1	