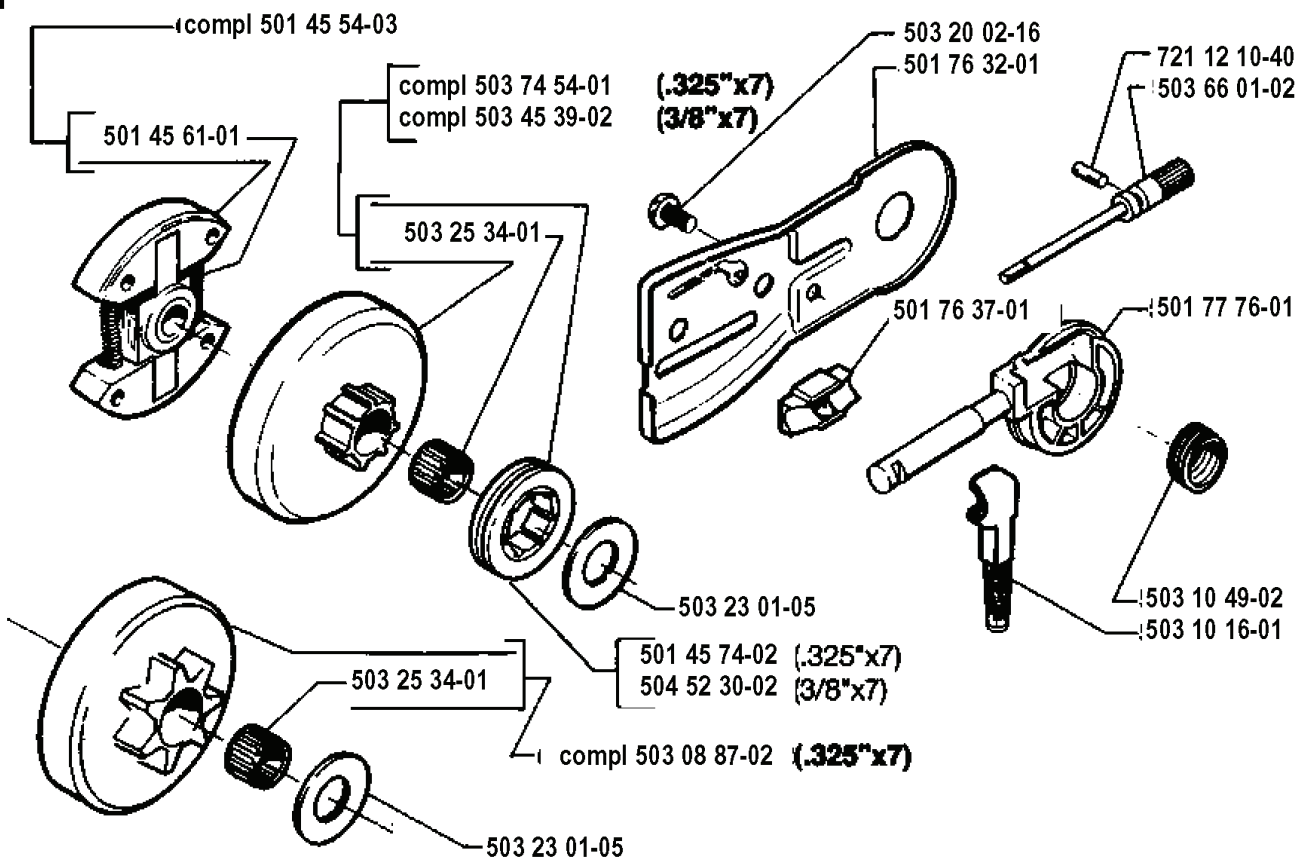


51, 19942300001-19982300000

---

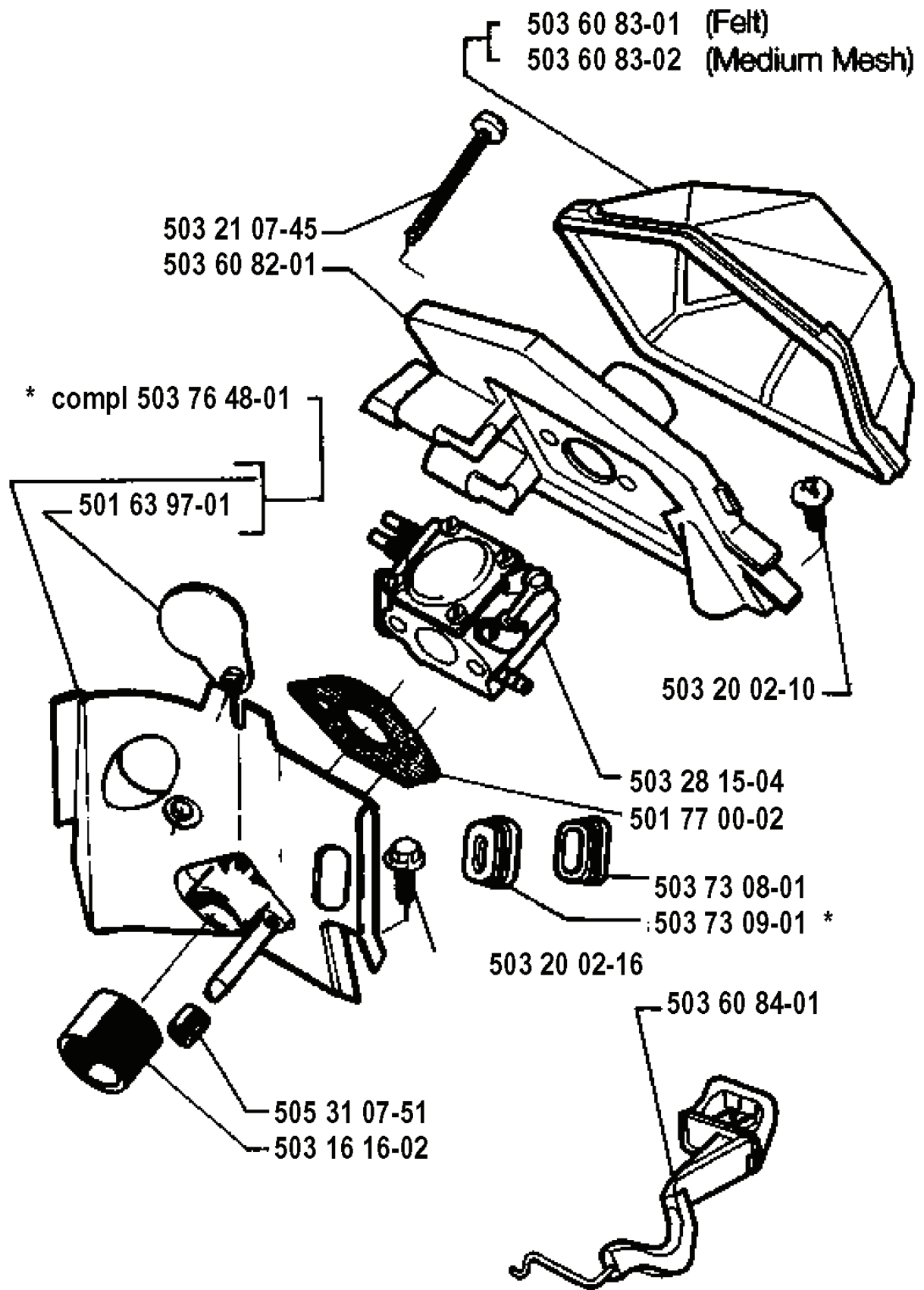
# **SPARE PARTS LIST**

**H**



REF.	PART NO.	DESCRIPTION	REMARK	QTY.	KIT
501 45 54-03	501455403	CLUTCH ASSY		1	
501 45 61-01	501456101	CLUTCH SPRING		1	
503 25 34-01	503253401	NEEDLE BEARING		1	
503 45 39-02	503453902	CLUTCH DRUM ASSY	3/8X7	1	
503 74 54-01	503745401	CLUTCH DRUM ASSY	.325X7	1	
501 45 74-02	501457402	RIM	.325X7	1	
504 52 30-02	504523002	RIM	3/8X7	1	
503 08 87-02	503088702	CLUTCH DRUM ASSY	.325X7	1	
503 23 01-05	503230105	WASHER		1	
503 10 16-01	503101601	SUCTION HOSE ASSY		1	
503 10 49-02	503104902	PUMP PINION		1	
501 77 76-01	501777601	OIL PUMP		1	
501 76 37-01	501763701	SEALING		1	
501 76 32-01	501763201	CHAIN GUIDE PLATE		1	
503 20 02-16	503200216	SCREW IHSCFM		1	
503 66 01-02	503660102	PUMP PISTON		1	
721 12 10-40	721121040	GROOVED PIN		1	

# D

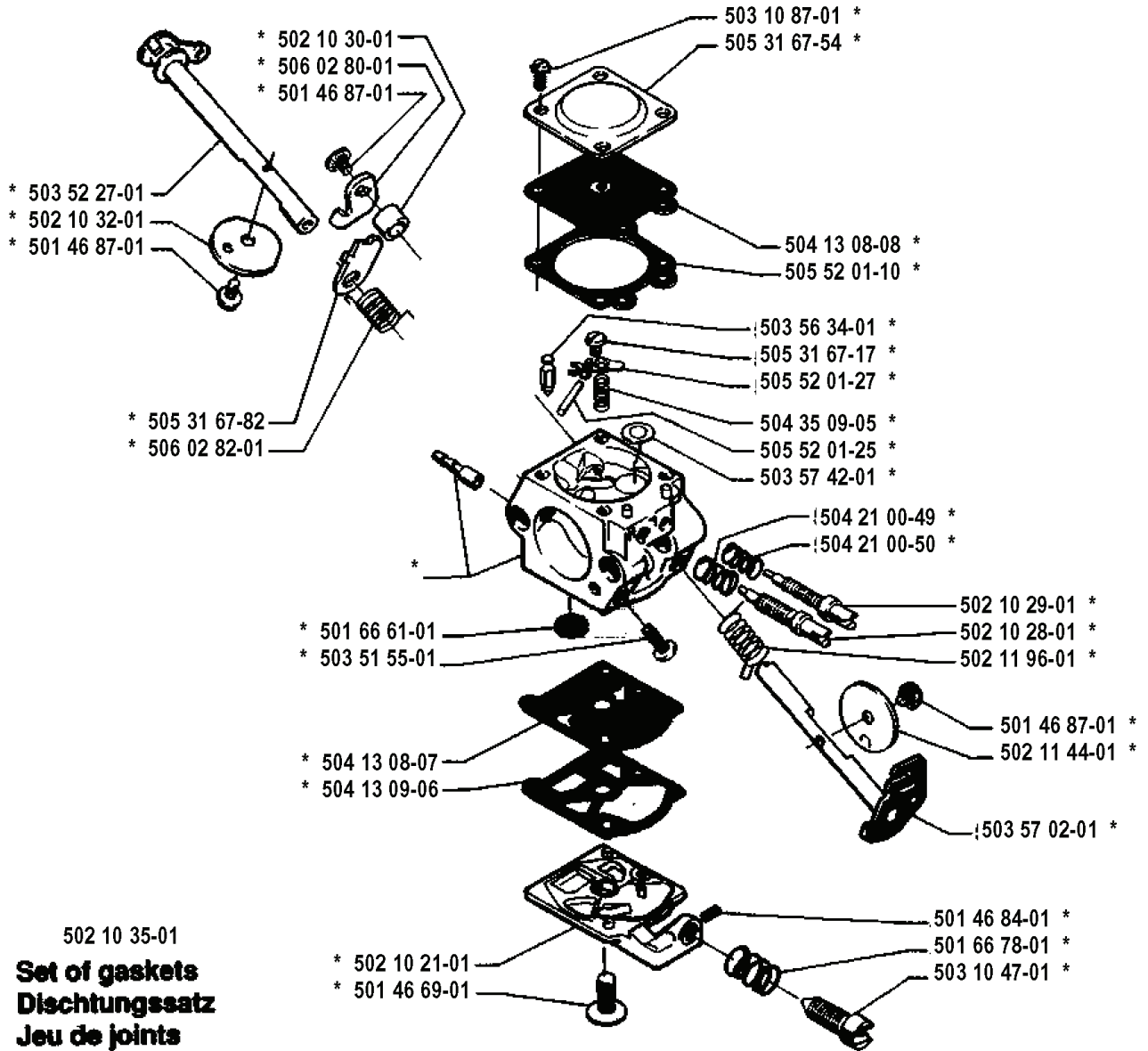


REF.	PART NO.	DESCRIPTION	REMARK	QTY.	KIT
5036083-01	503608301	AIR FILTER	FELT	1	
5036083-02	503608302	AIR FILTER	MEDIUM MESH	1	
5032107-45	503210745	SCREW IH SCT		1	
5036082-01	503608201	FILTER HOLDER		1	
5037648-01	503764801	KIT		1	
5016397-01	501639701	COVER		1	
5053107-51	505310751	IMPULSE HOSE		1	
5031616-02	503161602	INLET PIPE		1	
5032002-16	503200216	SCREW IH SCFM		1	
5036084-01	503608401	CHOKE CONTROL		1	
5037309-01	503730901	PLUG		1	
5037308-01	503730801	GROMMET		1	
5017700-02	501770002	GASKET		1	
5032815-04	503281504	CARBURETTOR		1	
5032002-10	503200210	SCREW IH SCFM		1	

**M**

\* compl 503 28 15-04

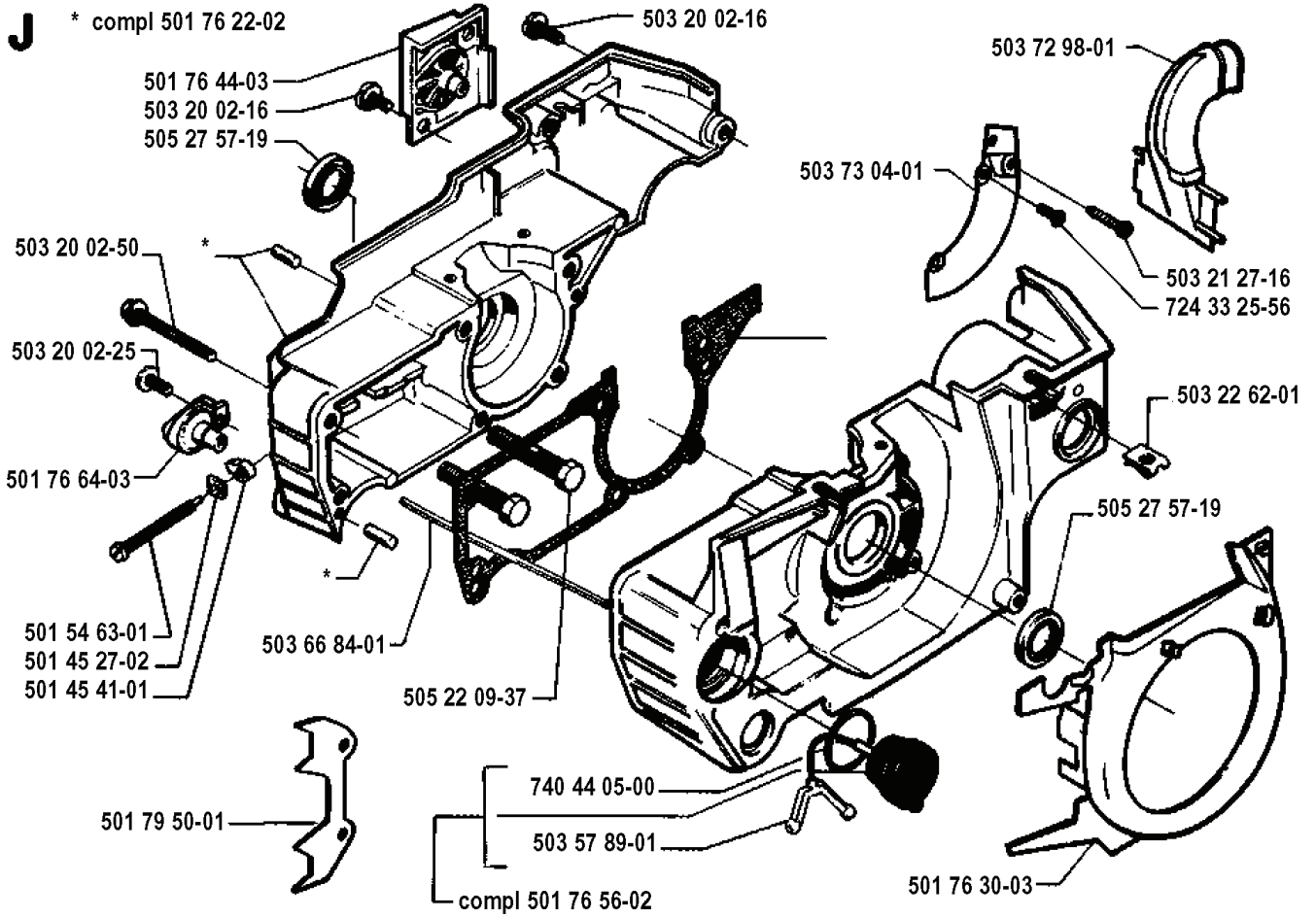
# Walbro WT 170



502 10 35-01  
**Set of gaskets**  
**Dischtungssatz**  
**Jeu de joints**  
**Juego de juntas**  
**Packningssatz**

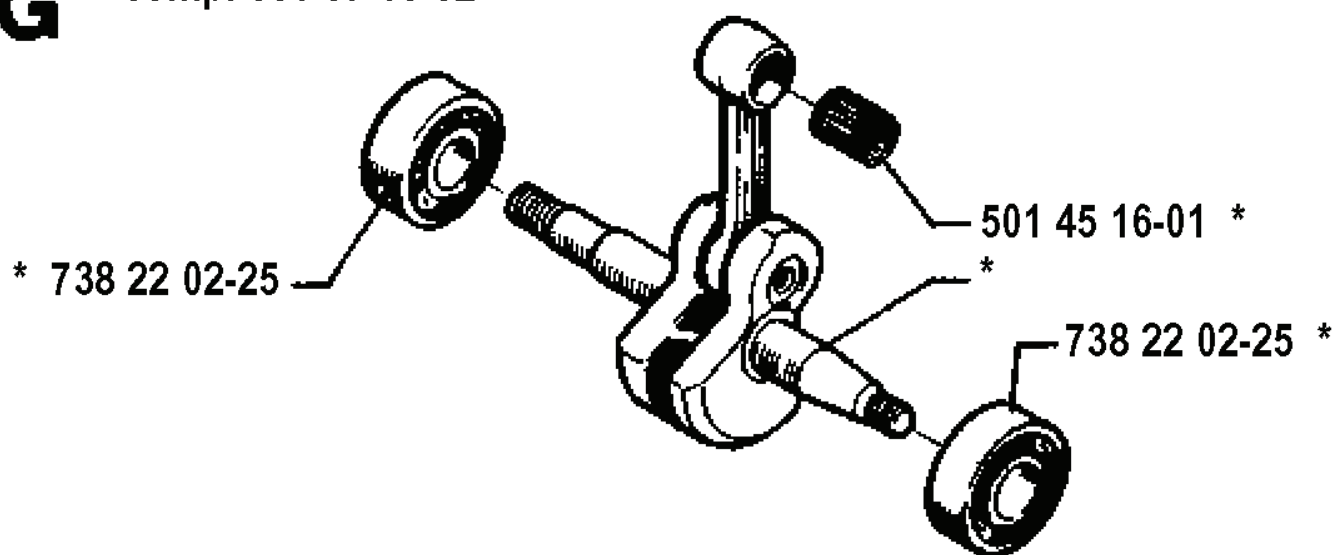
REF.	PART NO.	DESCRIPTION	REMARK	QTY.	KIT
503 28 15-04	503281504	CARBURETTOR		1	
502 10 30-01	502103001	DISTANCE		1	
506 02 80-01	506028001	STARTGASARM		1	
503 52 27-01	503522701	SHAFT ASSY		1	
502 10 32-01	502103201	CHOKE SKIVA		1	
505 31 67-82	505316782	LEVER		1	
506 02 82-01	506028201	SPRING		1	
501 66 61-01	501666101	SCREEN		1	
503 51 55-01	503515501	SCREW		1	
504 13 08-07	504130807	DIAPHRAGM PUMP		1	
504 13 09-06	504130906	GASKET		1	
502 10 21-01	502102101	LOCK PUMPSIDA		1	
501 46 69-01	501466901	SCREW		1	
502 10 35-01	502103501	GASKET KIT	SET OF GASKETS	1	
503 10 47-01	503104701	SCREW		1	
501 66 78-01	501667801	SPRING		1	
501 46 84-01	501468401	SPRING		1	
503 57 02-01	503570201	SHAFT ASSY		1	
502 11 44-01	502114401	THROTTLE DISC		1	
501 46 87-01	501468701	SCREW		1	
502 11 96-01	502119601	RECOIL SPRING		1	
502 10 28-01	502102801	HIGH SPEED NEEDLE		1	
502 10 29-01	502102901	LOW SPEED NEEDLE		1	
504 21 00-50	504210050	SPRING		1	
504 21 00-49	504210049	SPRING		1	
503 57 42-01	503574201	PLUG		1	
505 52 01-25	505520125	PIN		1	
504 35 09-05	504350905	SPRING		1	
505 52 01-27	505520127	LEVER		1	
505 31 67-17	505316717	SCREW		1	
503 56 34-01	503563401	NEEDLE VALVE		1	
505 52 01-10	505520110	GASKET		1	
504 13 08-08	504130808	DIAPHRAGM		1	
505 31 67-54	505316754	LOCK STYRMEMBRAN		1	
503 10 87-01	503108701	SCREW		1	





REF.	PART NO.	DESCRIPTION	REMARK	QTY.	KIT
501 76 22-02	501762202	CRANKCASE		1	
501 76 44-03	501764403	LID		1	
505 27 57-19	505275719	SEALING RING		1	
503 20 02-50	503200250	SCREW IHSCFM		1	
503 20 02-25	503200225	SCREW IHSCFM		1	
501 76 64-03	501766403	CHAIN CATCHER		1	
501 54 63-01	501546301	SCREW		1	
501 45 27-02	501452702	LOCK NUT		1	
501 45 41-01	501454101	NUT		1	
501 79 50-01	501795001	SPIKE		1	
501 76 56-02	501765602	TANK CAP ASSY		1	
503 57 89-01	503578901	HOLDER		1	
740 44 05-00	740440500	O-RING		1	
505 22 09-37	505220937	BAR BOLT		1	
503 66 84-01	503668401	TANK VENT ASSY		1	
503 20 02-16	503200216	SCREW IHSCFM		1	
503 73 04-01	503730401	AIR CONDUCTOR		1	
503 72 98-01	503729801	AIR NOZZLE		1	
503 21 27-16	503212716	SCREW CRPANT		1	
724 33 25-56	724332556	SCREW CRCSFM		1	
503 22 62-01	503226201	NUT		1	
501 76 30-03	501763003	LEDSKENA		1	

**G** \* compl 503 57 38-02

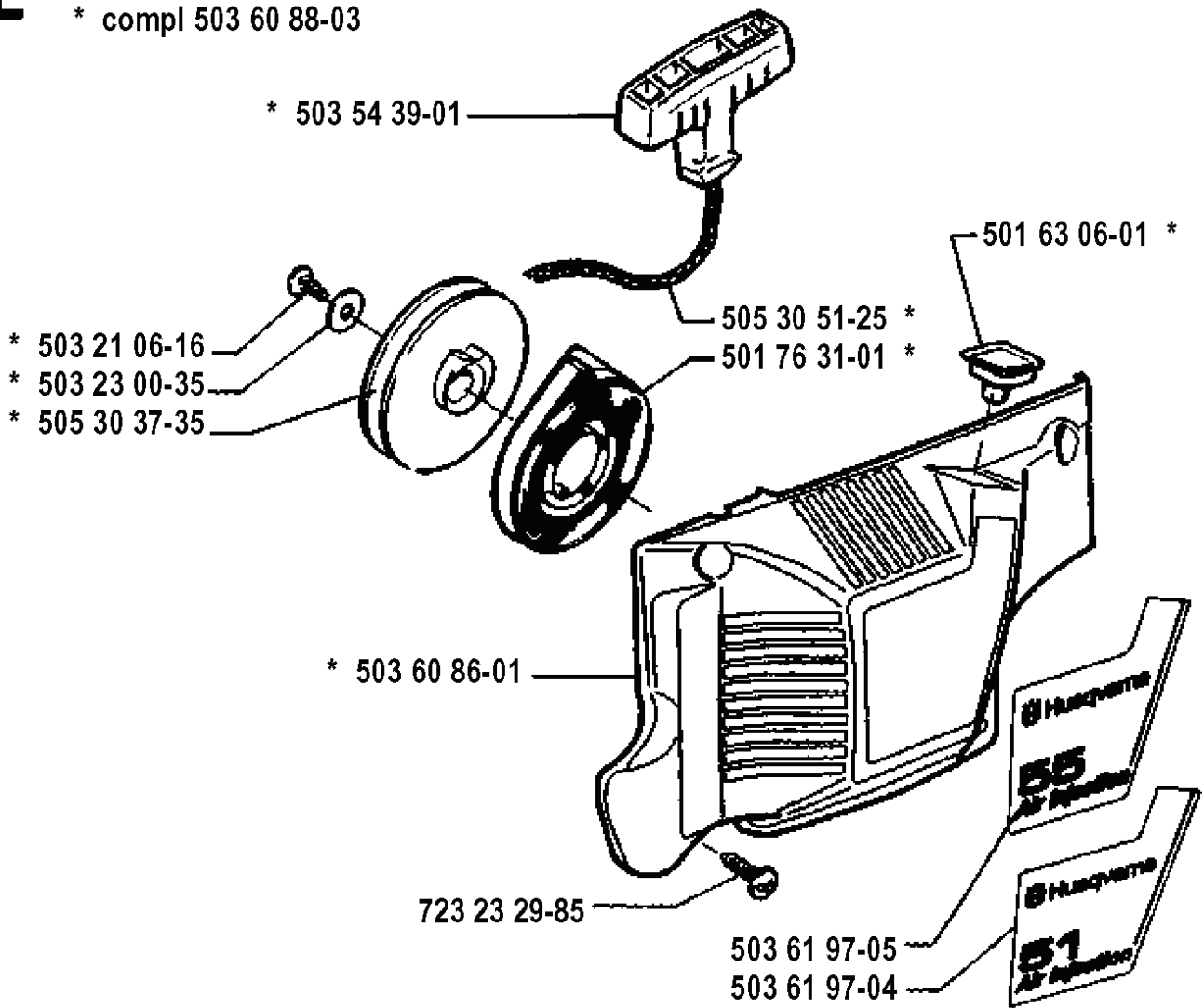


---

REF.	PART NO.	DESCRIPTION	REMARK	QTY.	KIT
503 57 38-02	503573802	CRANKSHAFT ASSY		1	
501 45 16-01	501451601	NEEDLE BEARING		1	
738 22 02-25	738220225	BALL BEARING		1	

**L**

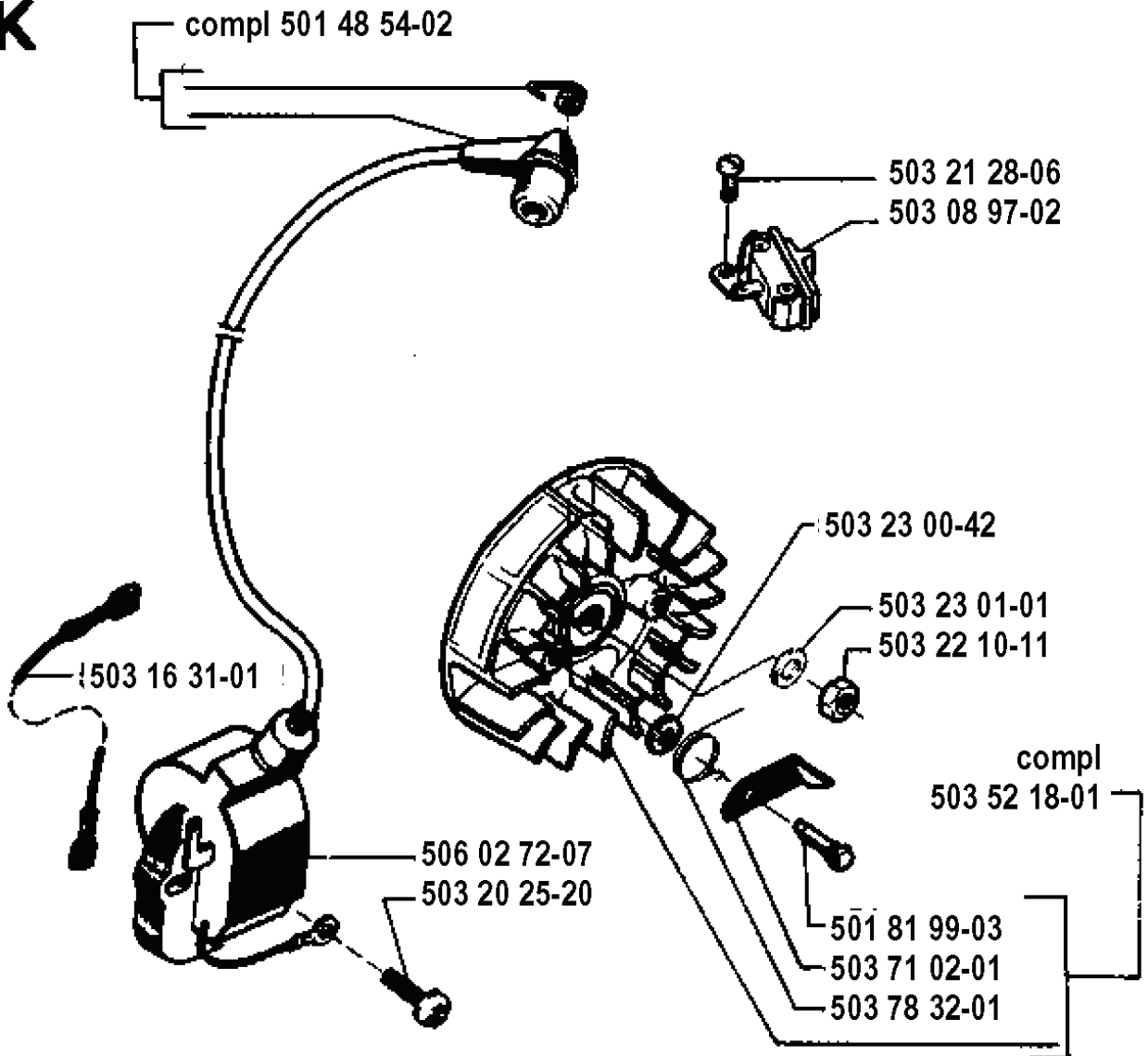
\* compl 503 60 88-03



---

REF.	PART NO.	DESCRIPTION	REMARK	QTY.	KIT
5036088-03	503608803	STARTER ASSY		1	
5035439-01	503543901	STARTER HANDLE		1	
5032106-16	503210616	SCREW IHSCT		1	
5032300-35	503230035	WASHER		1	
5053037-35	505303735	STARTER PULLEY		1	
5036086-01	503608601	STARTER HOUSING		1	
7232329-85	723232985	SCREW SLPANM		1	
5036197-04	503619704	DECAL		1	
5036197-05	503619705	DECAL		1	
5017631-01	501763101	SPRING CASSETTE ASSY		1	
5053051-25	505305125	STARTER ROPE		1	
5016306-01	501630601	SLEEVE		1	

**K**



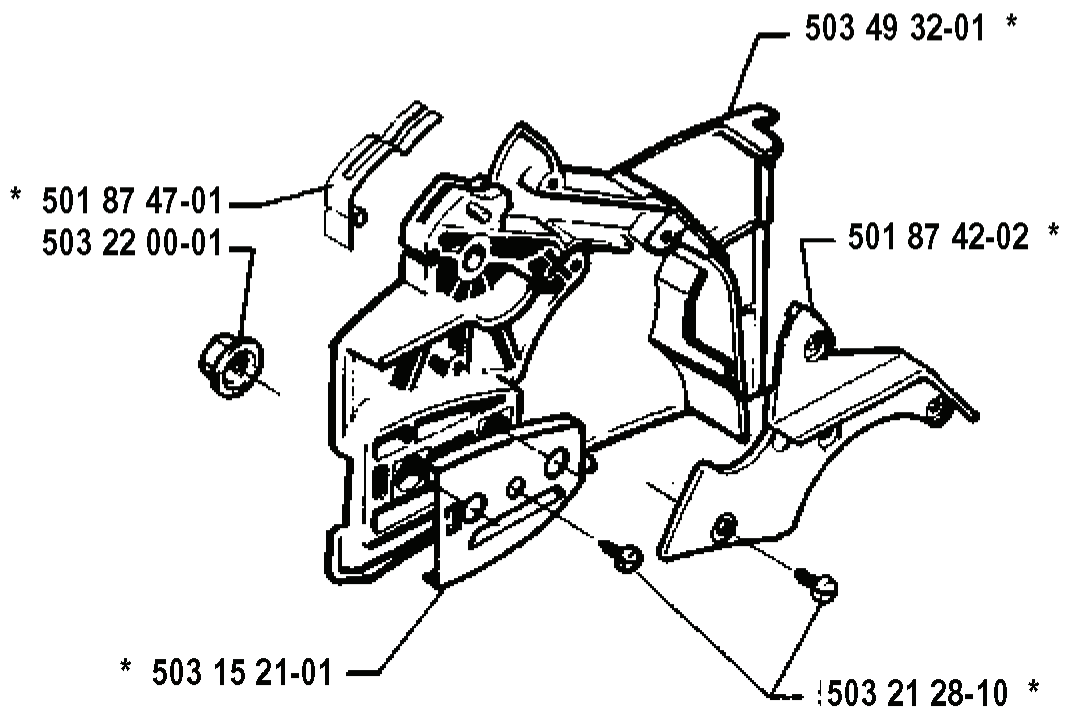
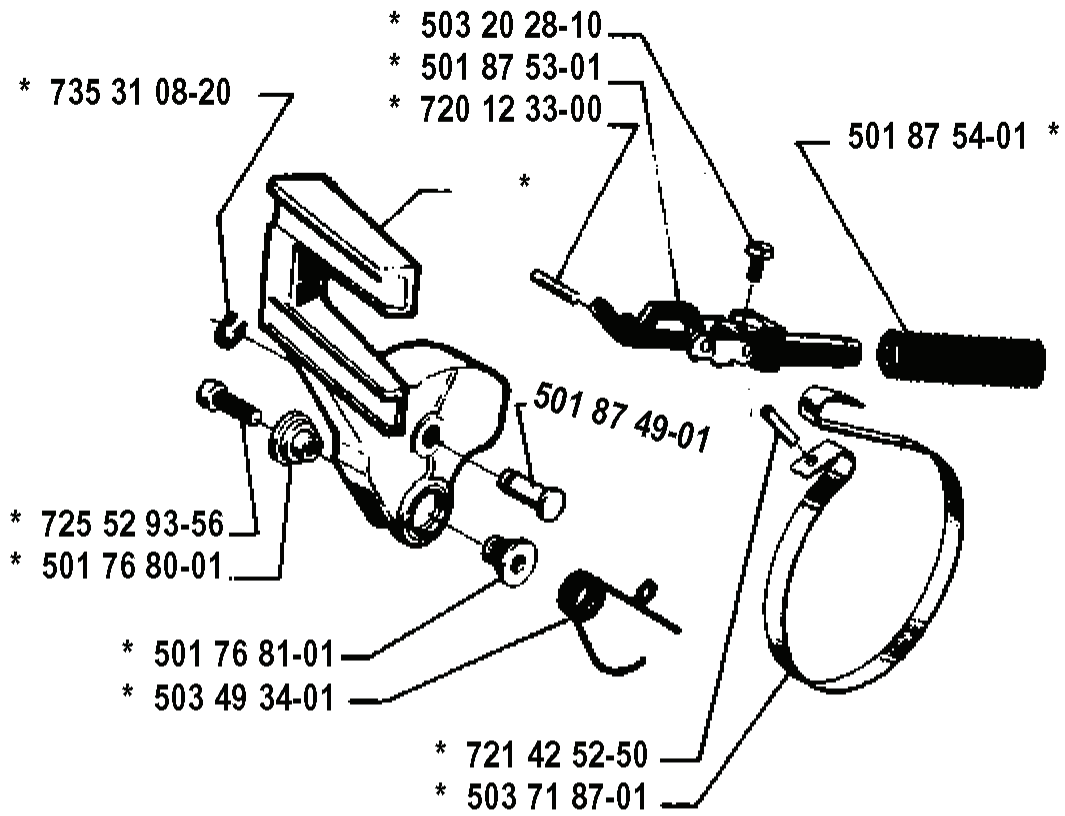
---

REF.	PART NO.	DESCRIPTION	REMARK	QTY.	KIT
5014854-02	501485402	SPARK PLUG CAP		1	
5031631-01	503163101	CABLE		1	
5060272-07	506027207	ELECTRONIC MODULE		1	
5032025-20	503202520	SCREW IHSCM		1	
5037832-01	503783201	SPRING		1	
5037102-01	503710201	PAWL		1	
5018199-03	501819903	SCREW		1	
5035218-01	503521801	FLYWHEEL ASSY		1	
5032210-11	503221011	HEXAGON NUT		1	
5032301-01	503230101	WASHER		1	
5032300-42	503230042	WASHER		1	
5030897-02	503089702	STOP SWITCH		1	
5032128-06	503212806	SCREW CCRPANT		1	



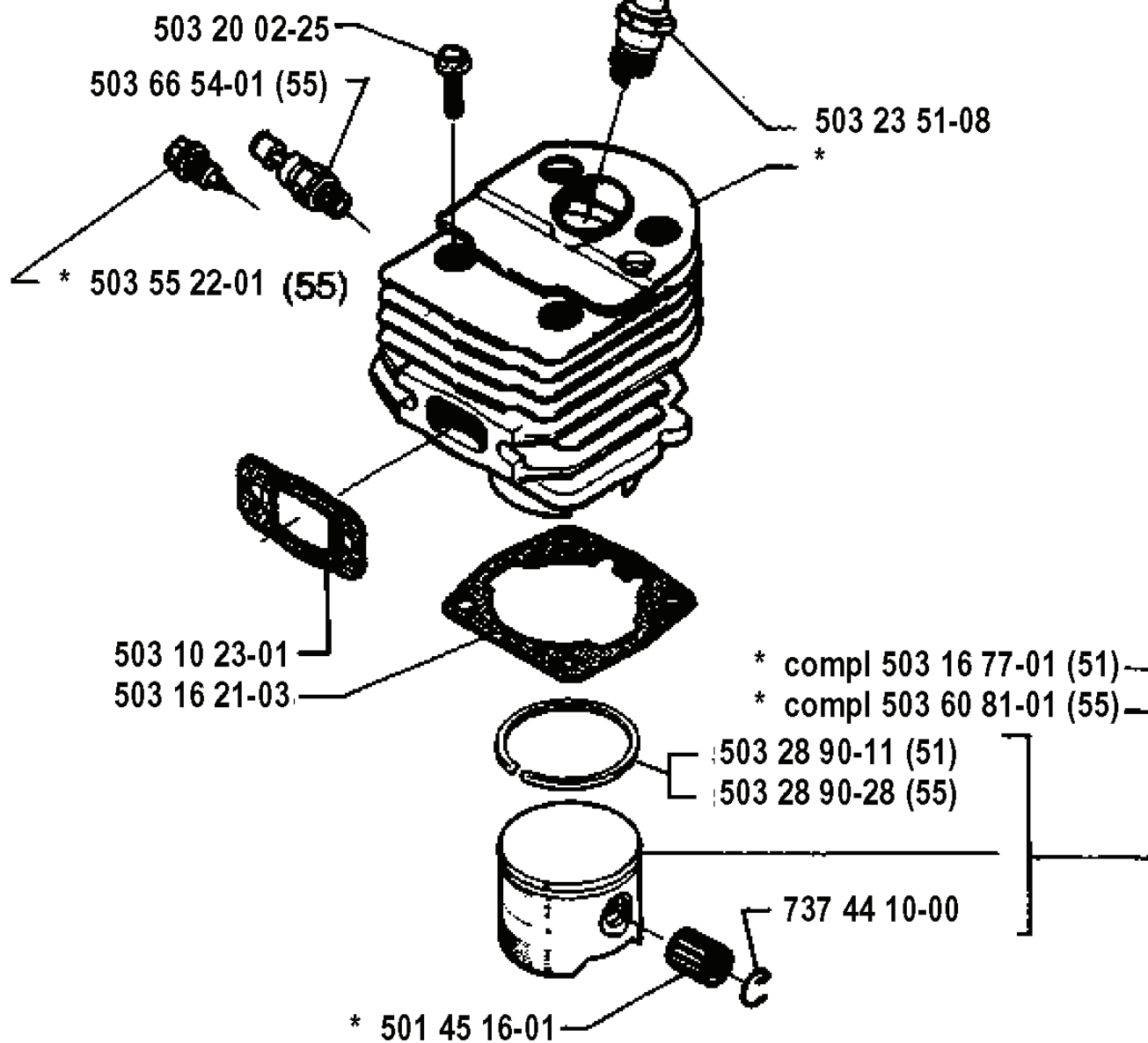
Correction:  
503 49 81-03

**A** \* compl 49 81-02  
compl 501 87 84-04



REF.	PART NO.	DESCRIPTION	REMARK	QTY.	KIT
503 49 81-03	503498103	CLUTCH COVER ASSY	CORRECTION	1	
49 81-02	498102			1	
501 87 84-04	501878404	HAND GUARD ASSY		1	
735 31 08-20	735310820	E-CLIP		1	
725 52 93-56	725529356	SCREW IHSCM		1	
501 76 80-01	501768001	SHAFT		1	
501 76 81-01	501768101	SHAFT		1	
503 49 34-01	503493401	POSITION SPRING		1	
501 87 47-01	501874701	SPRING		1	
503 22 00-01	503220001	HEXAGON NUT		1	
503 15 21-01	503152101	COVER SHEET		1	
503 21 28-10	503212810	SCREW CCRPANT		1	
501 87 42-02	501874202	HUB CAP		1	
503 49 32-01	503493201	CLUTCH COVER		1	
503 71 87-01	503718701	BRAKE BAND		1	
721 42 52-50	721425250	SPRING PIN		1	
501 87 49-01	501874901	PIVOT PIN		1	
501 87 54-01	501875401	BRAKE SPRING		1	
720 12 33-00	720123300	PARALLEL PIN		1	
501 87 53-01	501875301	KNEE JOINT ASSY		1	
503 20 28-10	503202810			1	

**C** \* compl 503 16 83-01 (51,Ø45mm)  
\* compl 503 60 91-04 (55,Ø46mm)



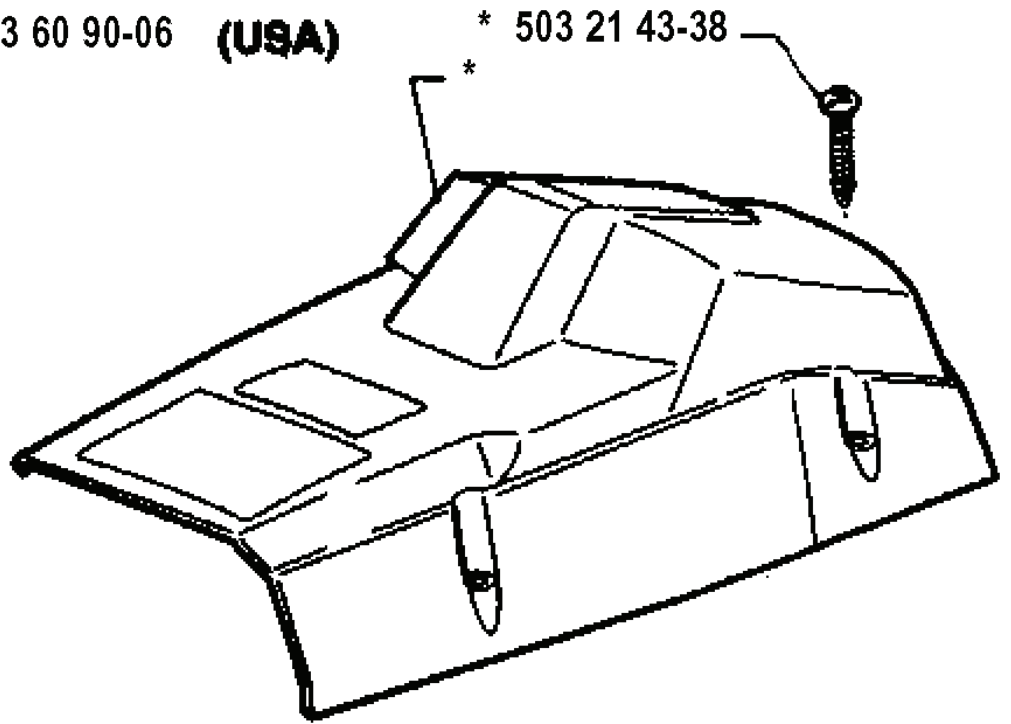
REF.	PART NO.	DESCRIPTION	REMARK	QTY.	KIT
503 16 83-01	503168301	CYLINDER ASSY	51.DIA.45MM	1	
503 60 91-04	503609104	CYLINDER ASSY	55.DIA.46MM	1	
503 20 02-25	503200225	SCREW IHSCFM		1	
503 66 54-01	503665401	DECOMPRESSION VALVE	55	1	
503 55 22-01	503552201	PLUG	55	1	
503 10 23-01	503102301	MUFFLER GASKET		1	
503 16 21-03	503162103	GASKET		1	
501 45 16-01	501451601	NEEDLE BEARING		1	
737 44 10-00	737441000	SNAP RING		1	
503 28 90-28	503289028	PISTON RING	55	1	
503 28 90-11	503289011	PISTON RING	51	1	
503 60 81-01	503608101	PISTON ASSY	55	1	
503 16 77-01	503167701	PISTON ASSY	51	1	
503 23 51-08	503235108	SPARK PLUG		1	

**B**

\* compl 503 60 90-05

\* compl 503 60 90-06 (USA)

\* 503 21 43-38



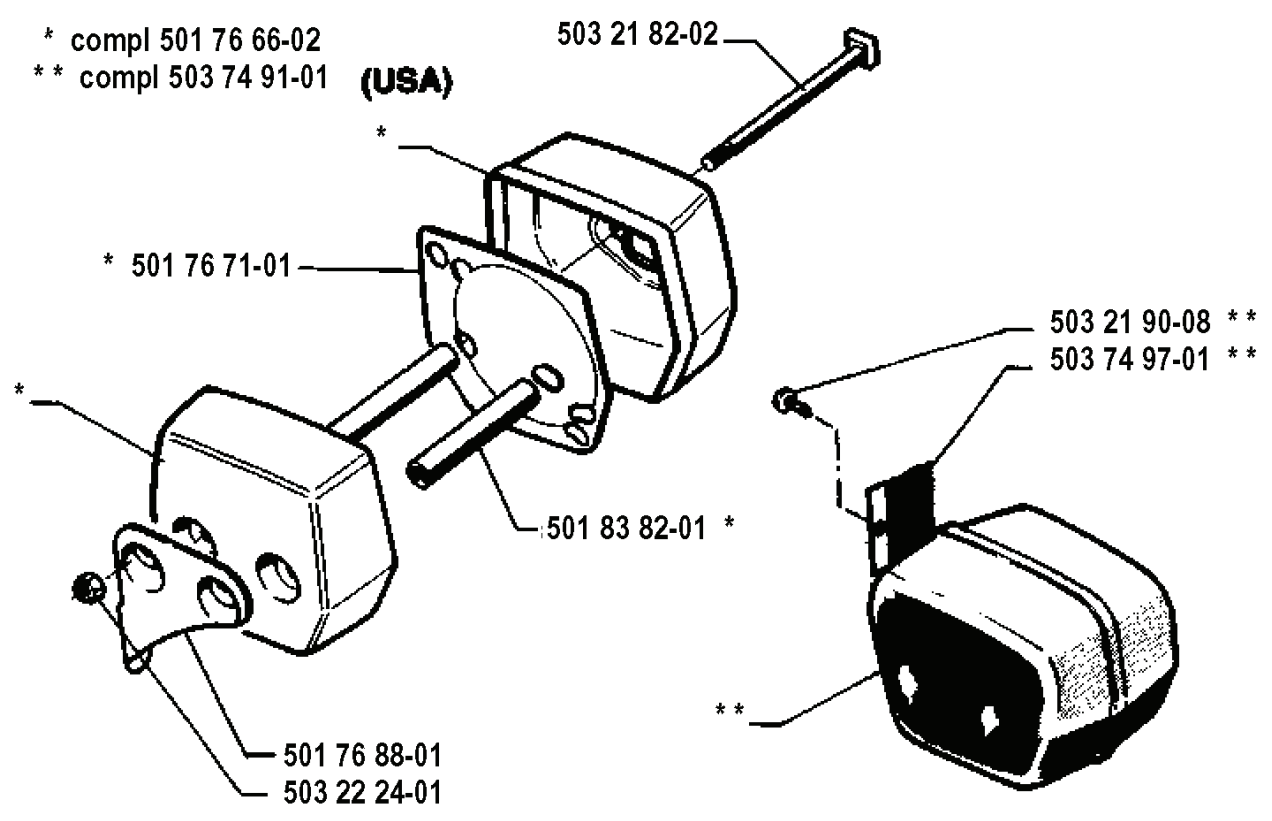
---

REF.	PART NO.	DESCRIPTION	REMARK	QTY.	KIT
503 60 90-05	503609005	CYLINDER COVER ASSY		1	
503 60 90-06	503609006	CYLINDER COVER ASSY	USA	1	
503 21 43-38	503214338	SCREW		1	

**F**

\* compl 501 76 66-02  
\*\* compl 503 74 91-01

**(USA)**

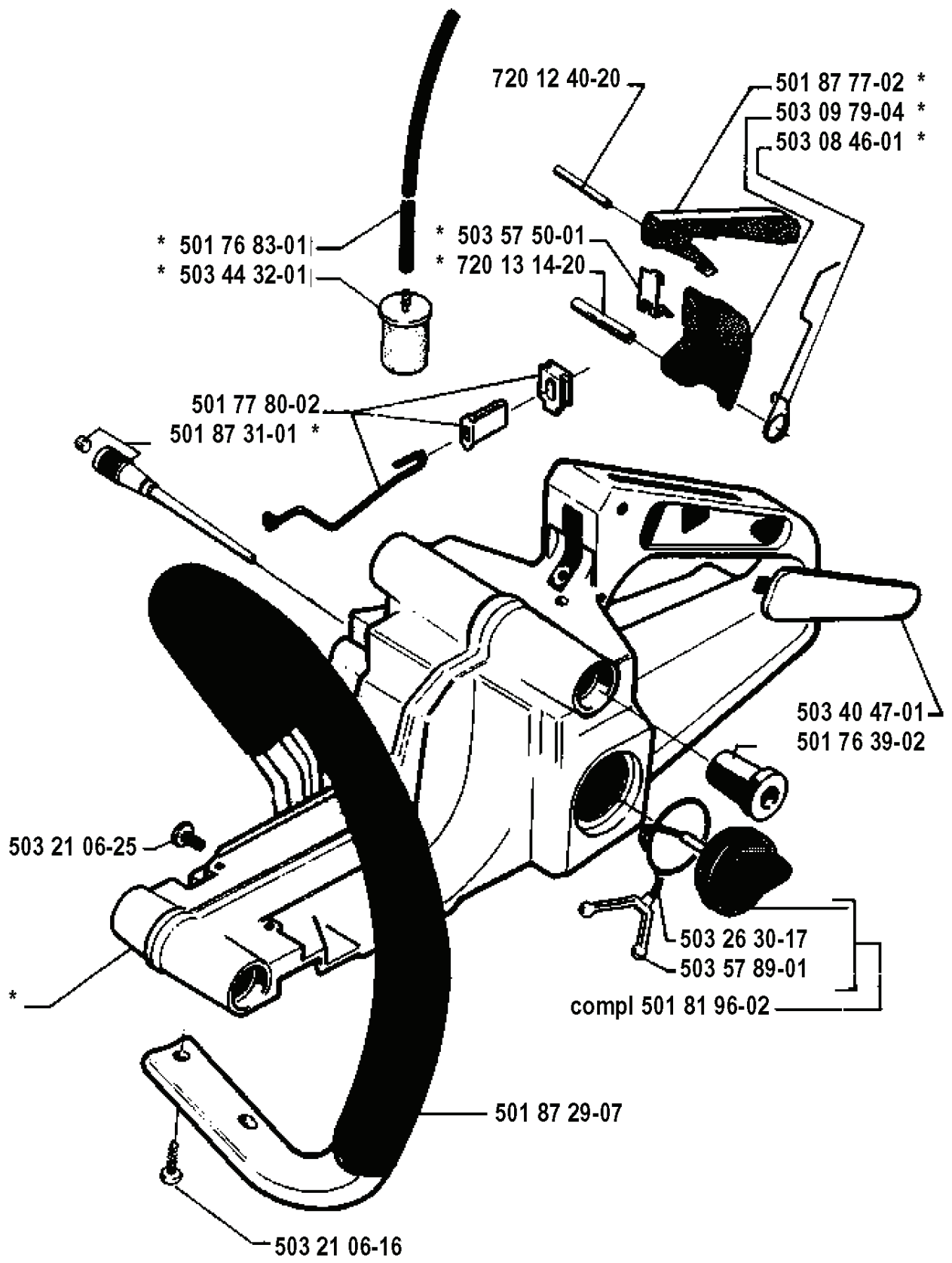


---

REF.	PART NO.	DESCRIPTION	REMARK	QTY.	KIT
5017666-02	501766602	MUFFLER ASSY		1	
5037491-01	503749101	MUFFLER FF	USA	1	
5017671-01	501767101	BAFFLE PLATE		1	
5017688-01	501768801	BRACKET		1	
5032224-01	503222401	LOCK NUT		1	
5018382-01	501838201	PISTON		1	
5032182-02	503218202	SCREW		1	
5032190-08	503219008	SCREW CCRPANM		1	
5037497-01	503749701	SPARK ARRESTER SCREEN		1	



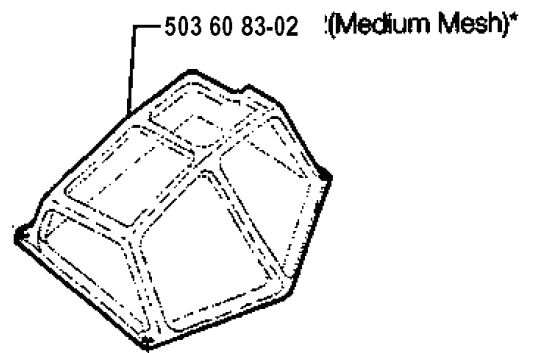
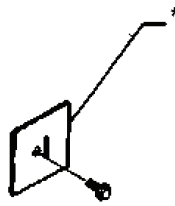
**E** \* compl 501 76 13-10



REF.	PART NO.	DESCRIPTION	REMARK	QTY.	KIT
501 76 13-10	501761310	FUEL TANK		1	
501 76 83-01	501768301	FUEL HOSE		1	
503 44 32-01	503443201	FUEL FILTER		1	
501 77 80-02	501778002	TRIGGER		1	
501 87 31-01	501873101	TANK VENT ASSY		1	
503 21 06-25	503210625	SCREW IHSCFT		1	
503 21 06-16	503210616	SCREW IHSCFT		1	
501 87 29-07	501872907	FRONT HANDLE ASSY		1	
501 81 96-02	501819602	TANK CAP ASSY		1	
503 57 89-01	503578901	HOLDER		1	
503 26 30-17	503263017	O-RING		1	
501 76 39-02	501763902	ANTIVIBRATION ELEMENT		1	
503 40 47-01	503404701	HANDLE INSERT		1	
720 13 14-20	720131420	PARALLEL PIN		1	
503 57 50-01	503575001	WEAR PROTECTION		1	
720 12 40-20	720124020	PARALLEL PIN		1	
503 08 46-01	503084601	RECOIL SPRING		1	
503 09 79-04	503097904	THROTTLE LEVER		1	
501 87 77-02	501877702	THROTTLE LOCKOUT		1	

○ \* compl 501 77 21-02

**Winter equipment**  
**Winterausrüstung**  
**Equipment d'hiver**  
**Vintersats**



---

REF.	PART NO.	DESCRIPTION	REMARK	QTY.	KIT
5017721-02	501772102	WINTER KIT		1	
5036083-02	503608302	AIR FILTER	MEDIUM MESH	1	

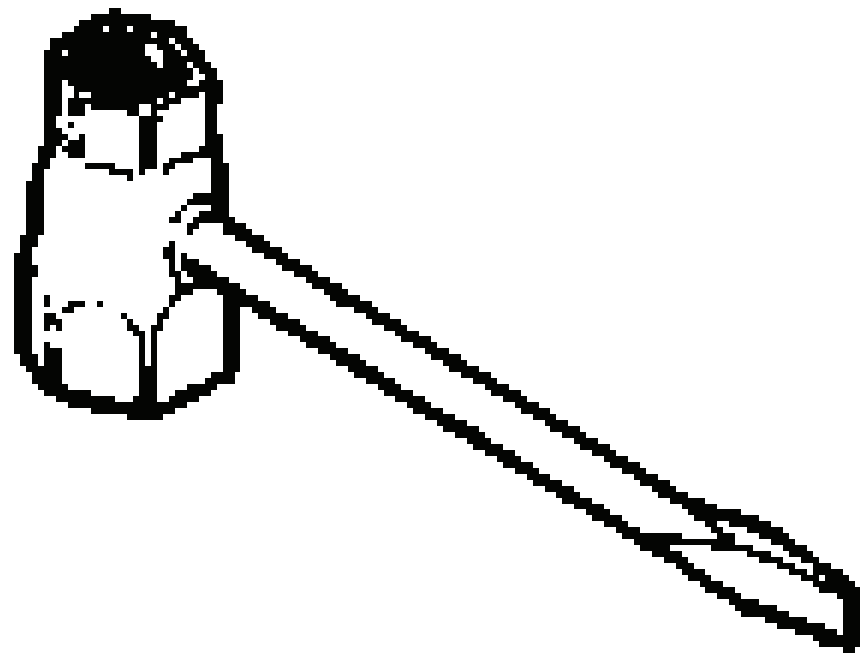
**N**

**Accessories**

**Accessoires**

**Zubehöre**

**Tillbehör**



**501 69 17-01**

---

REF.	PART NO.	DESCRIPTION	REMARK	QTY.	KIT
5016917-01	501691701	COMBINATION WRENCH		1	