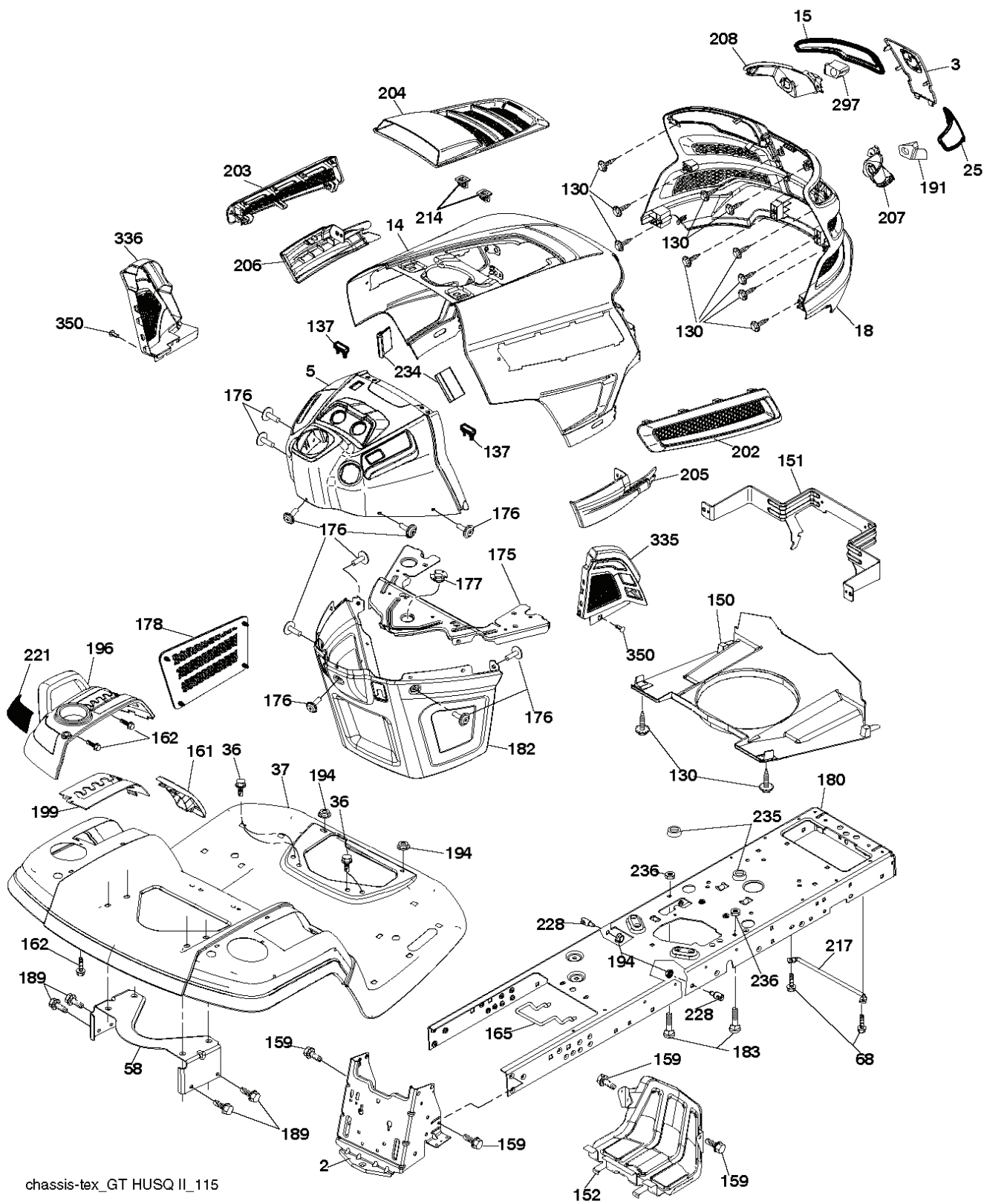
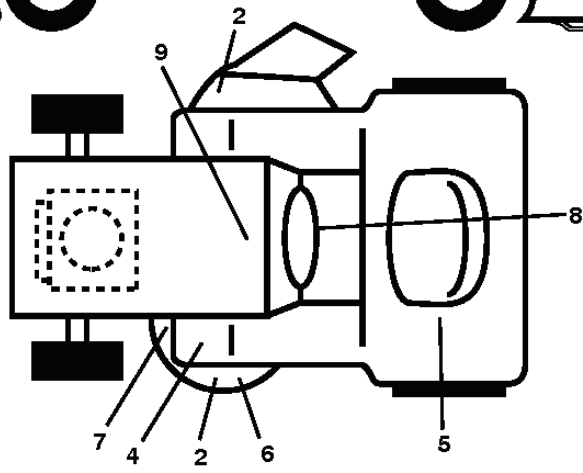
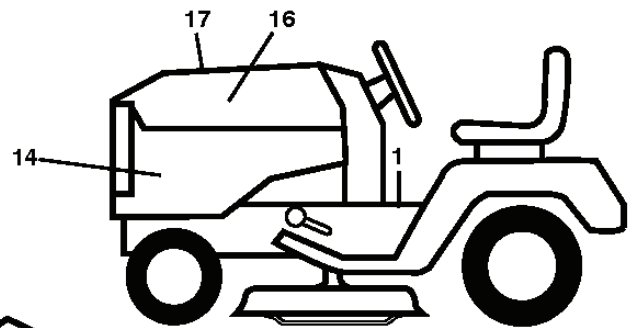
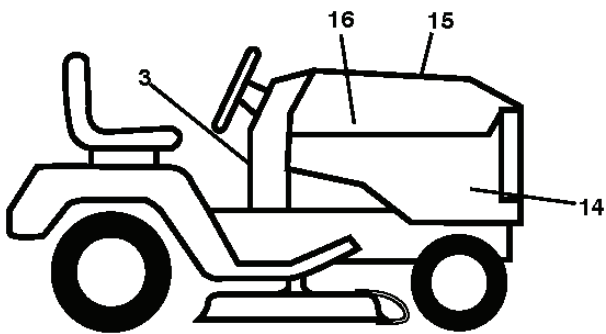


GTH26V52 LS, 96043013000, 2010 - 11

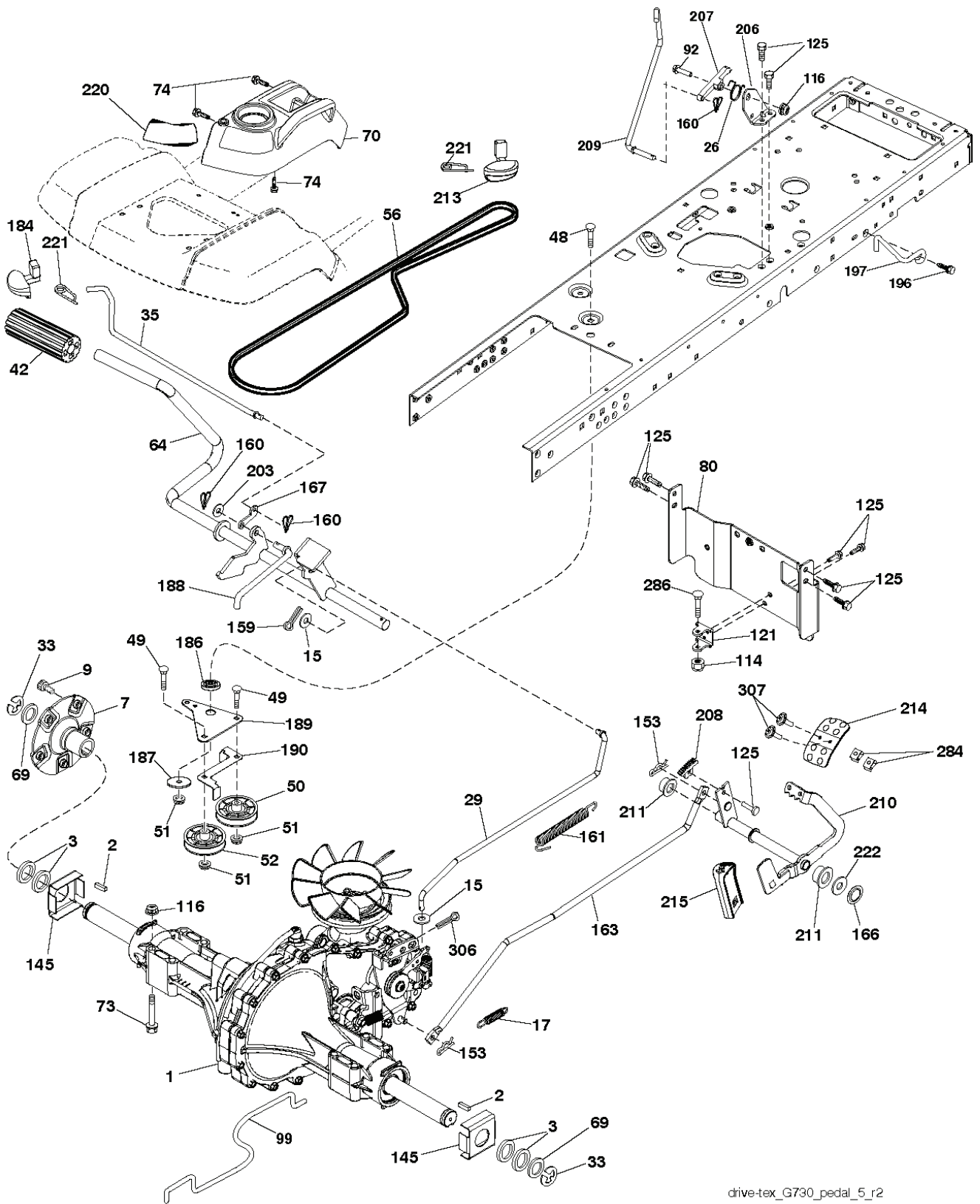
SPARE PARTS LIST



REF.	PART NO.	DESCRIPTION	REMARK	QTY.	KIT
2	580434401	DRAW BAR		1	
3	532439752	LOGOTYPE		1	
5	532437470	DASH		1	
14	532441177	HOOD		1	
15	532439733	LENS	LH	1	
18	532437762	GRILLE		1	
25	532439732	LENS	RH	1	
36	817060512	SCREW		1	
37	532441208	FENDER		1	
58	532194314	BRACKET		1	
68	817490508	SCREW		1	
130	532416358	SCREW		1	
137	532407590	DAMPING PIECE		1	
150	532439774	AIR DUCT		1	
151	532436670	BRACKET		1	
152	532439870	SHIELD		1	
159	817000612	SCREW		1	
161	532401826	CONSOLE		1	
162	532142432	SCREW		1	
165	532194330	SUPPORT		1	
175	532196304	SUPPORT		1	
176	532400776	SCREW		1	
177	532195227	BUSHING		1	
178	532199782	NET		1	
180	532194260	CHASSIS		1	
182	532406859	DASH		1	
183	874520520	BOLT		1	
189	817000512	SCREW		1	
191	532437455	INSERT		1	
194	873900500	NUT		1	
196	532417778	CONSOLE		1	
199	532198259	PLATE		1	
202	532439728	COVER	RH	1	
203	532439727	COVER	LH	1	
204	532435714	COVER		1	
205	532439730	SKIRT	RH	1	
206	532439729	SKIRT	LH	1	
207	532439734	CUP	RH	1	
208	532439735	CUP	LH	1	
214	532199145	CLIP		1	
217	532409167	ROD		1	
221	532198909	LENS	LH	1	
228	532195161	STUD		1	
234	532404742	DAMPING PIECE		1	
235	532406129	SPACER		1	
236	873930500	NUT		1	
297	532437456	INSERT		1	
335	532448204	COVER		1	
336	532439846	COVER		1	
350	532445143	CLIP		1	
	532431882	GUARD		1	

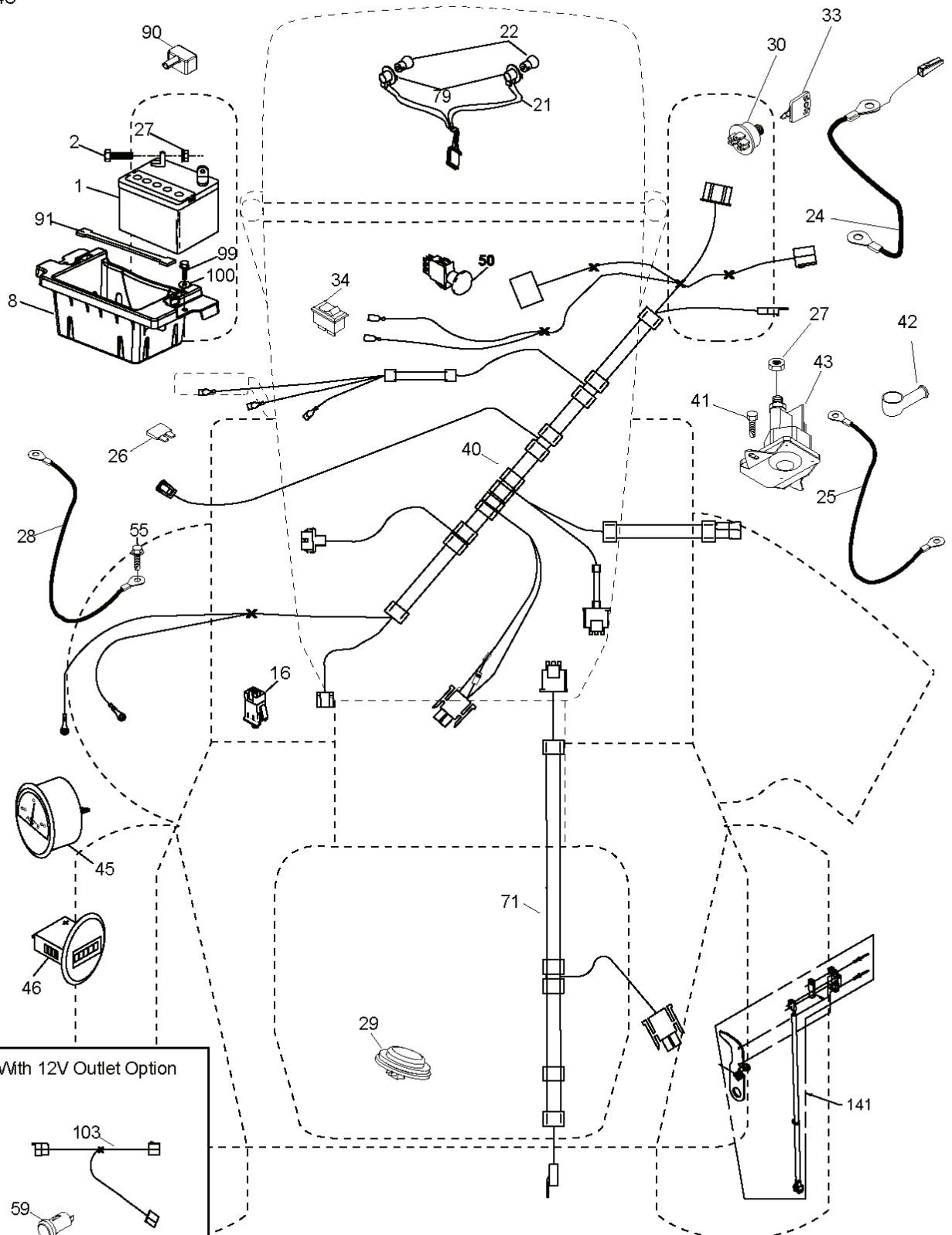


REF.	PART NO.	DESCRIPTION	REMARK	QTY.	KIT
1	532411657	DECAL		1	
2	581724301	DECAL		1	
3	532436390	LABEL		1	
4	532418600	DECAL		1	
5	532426209	DECAL		1	
6	581724401	DECAL		1	
8	532424102	DECAL		1	
7	581580002	DECAL		1	
9	532145005	DECAL		1	
14	532440390	DECAL		1	
15	532423829	DECAL		1	
16	532429196	DECAL		1	
17	532440238	DECAL		1	
	532166960	DECAL		1	
	532401771	FOOTREST	LH	1	
	532403773	FOOTREST	RH	1	



REF.	PART NO.	DESCRIPTION	REMARK	QTY.	KIT
1	000000000	W/O DESCRIPTION	* Transaxle, Hydro G7-BCBB-1XDC-1FCA	1	
2	532007070	KEY		1	
3	532007563	WASHER		1	
7	532199837	WHEEL		1	
9	532140080	BOLT		1	
15	819131316	WASHER		1	
17	532197296	SPRING		1	
26	532199679	SPRING		1	
29	532418186	*MUD TIE AND WHEEL FRONT PASSE		1	
33	812000053	E-CLIP		1	
35	583864501	ROD		1	
42	532124872	PEDAL RUBBER		1	
48	872110612	BOLT		1	
49	872110614	BOLT		1	
50	532194327	PULLEY		1	
51	873900600	NUT		1	
52	532194326	PULLEY		1	
56	532420807	BELT		1	
64	532197865	SHAFT		1	
69	532123800	WASHER		1	
70	532400530	PANEL		1	
73	874490548	BOLT		1	
74	532142432	SCREW		1	
80	532418184	STRAP TORQUE		1	
92	874760520	BOLT		1	
99	532418188	*1 FRONT MUD TIRE AND ALLOY W		1	
114	873800500	LOCK NUT		1	
116	873900500	NUT		1	
121	532175611	CHAPPE DE FIXATION		1	
125	817000512	SCREW		1	
145	532163168	WASHER		1	
153	532124788	RETAINER RING		1	
159	876020412	SPLIT PIN		1	
160	532169484	PIN		1	
161	532105709	SPRING		1	
163	532418185	*MUD TIRE AND WHEEL FRONT 1		1	
166	532429164	NUT		1	
167	532405257	LATCH		1	
184	532403118	CONTROL		1	
186	532194321	SPACER		1	
187	819133210	WASHER		1	
188	532194323	LINK		1	
189	532407504	DECAL		1	
190	532407505	SPRING		1	
196	817000616	SCREW		1	
197	532199769	BRACKET		1	
203	819111116	WASHER		1	
206	532197867	BRACKET		1	
207	532197868	LATCH		1	
208	532197869	SUPPORT		1	
209	532199592	ROD		1	
210	532197860	ARM	RH	1	
211	532120183	BEARING		1	
213	532403119	CONTROL		1	
214	532416863	PEDAL.FORWARD.HUSQVARNA.DEALER		1	
215	532401723	PEDAL		1	
220	532198908	LENS	RH	1	
221	532403187	SPRING		1	
222	879212010	WASHER		1	
284	532417693	NUT		1	
286	872010520	BOLT		1	
306	876020416	SPLIT PIN		1	
307	874180412	SCREW		1	

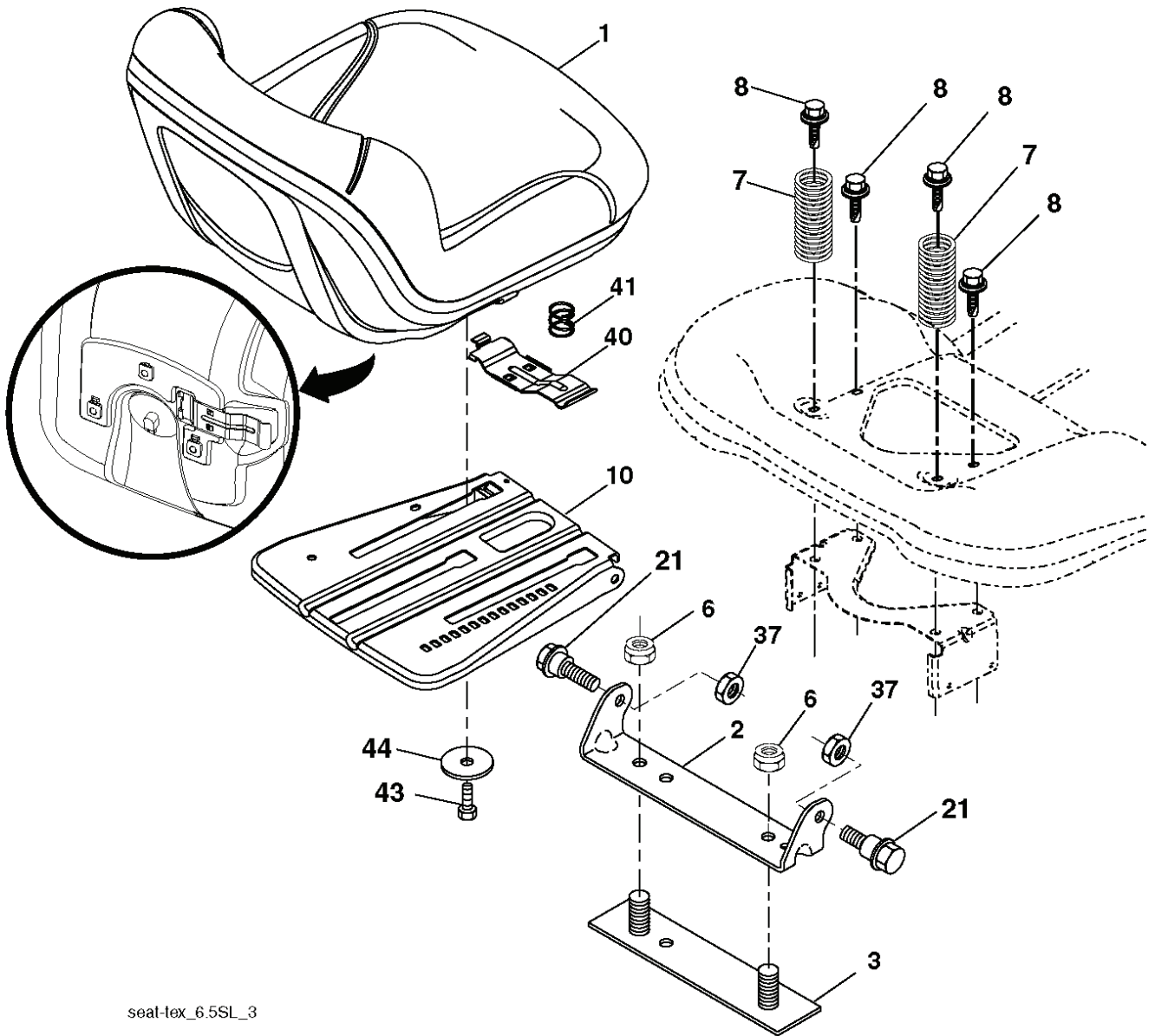
T14S



With 12V Outlet Option

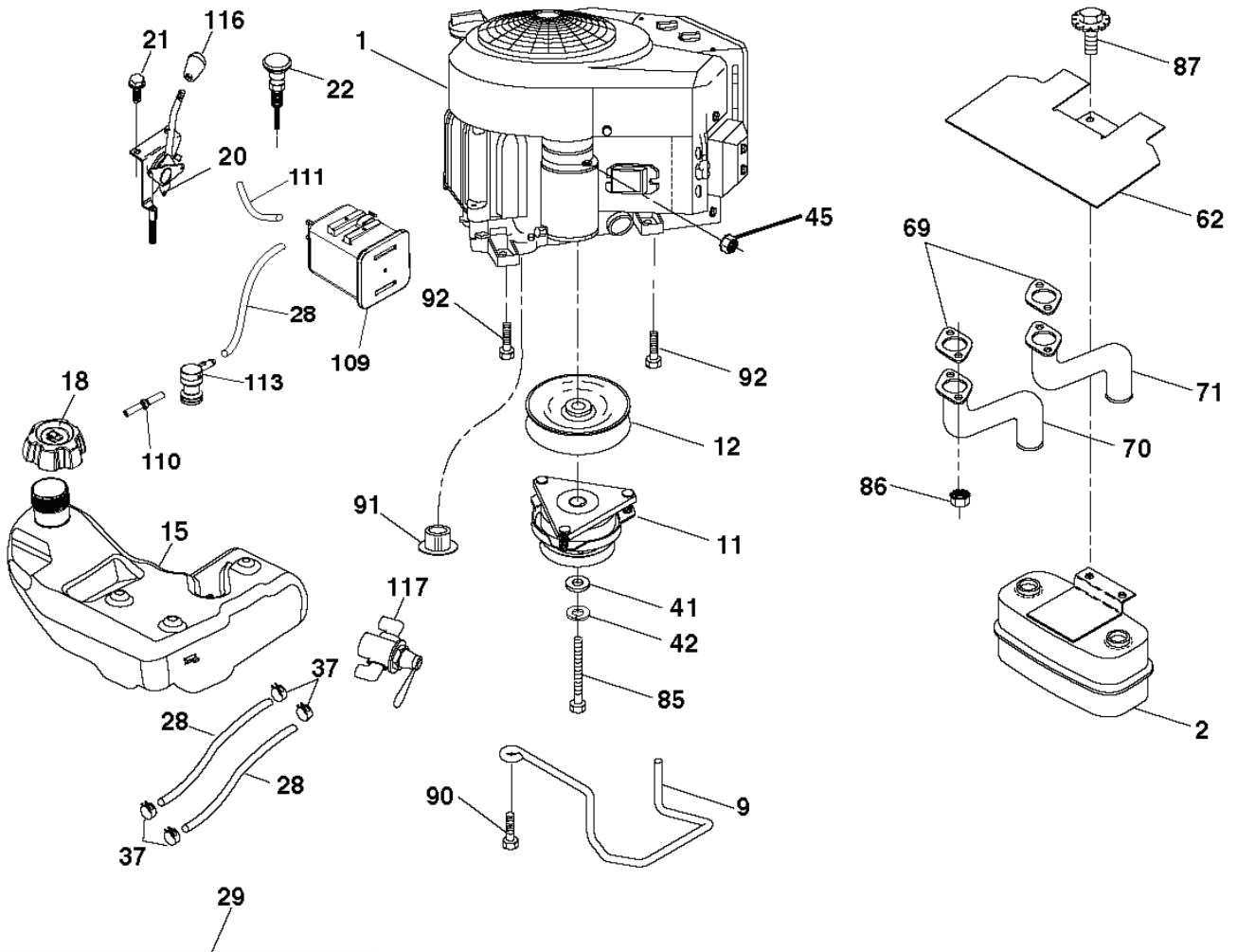
The diagram shows the 12V outlet option wiring. It includes a 103V indicator lamp (103) and a 59V indicator lamp (59) connected to the main bus (40).

REF.	PART NO.	DESCRIPTION	REMARK	QTY.	KIT
1	532163465	BATTERY		1	
2	874760412	BOLT		1	
8	532414125	TRAY ASM BATTERY FRT TEX CARB		1	
16	532176138	MICRO SWITCH		1	
21	532400252	HARNESS		1	
22	532004152	BULB		1	
24	532400253	CABLE		1	
25	532412895	CABLE.STARTER.6G.BL/RE*SUBS/2*		1	
26	532175158	FUSE		1	
27	873510400	NUT		1	
28	532145491	CABLE		1	
29	532401545	SWITCH		1	
30	532193350	IGNITION MODULE		1	
33	532411933	KEY		1	
34	532110712	SWITCH		1	
40	532402167	CABLE		1	
41	817720408	SCREW		1	
42	532131563	COVER		1	
43	532192507	SOLENOID		1	
45	532425270	GAUGE		1	
46	532425271	GAUGE		1	
50	532174651	SWITCH		1	
55	817060512	SCREW		1	
59	532400303	OUTLET-12 VOLT		1	
71	532194276	CABLE ASSY		1	
79	532175242	HOLDER		1	
90	532435395	TERMINAL COVER		1	
91	532190270	STRAP BATTERY MOUNT FRO		1	
99	817670412	SCREW		1	
100	819091416	WASHER		1	
103	532421747	HARNESS		1	
141	532421225	KIT.G700/G730.ROS.SERV(71750)		1	



seal-lex_6.5SL_3

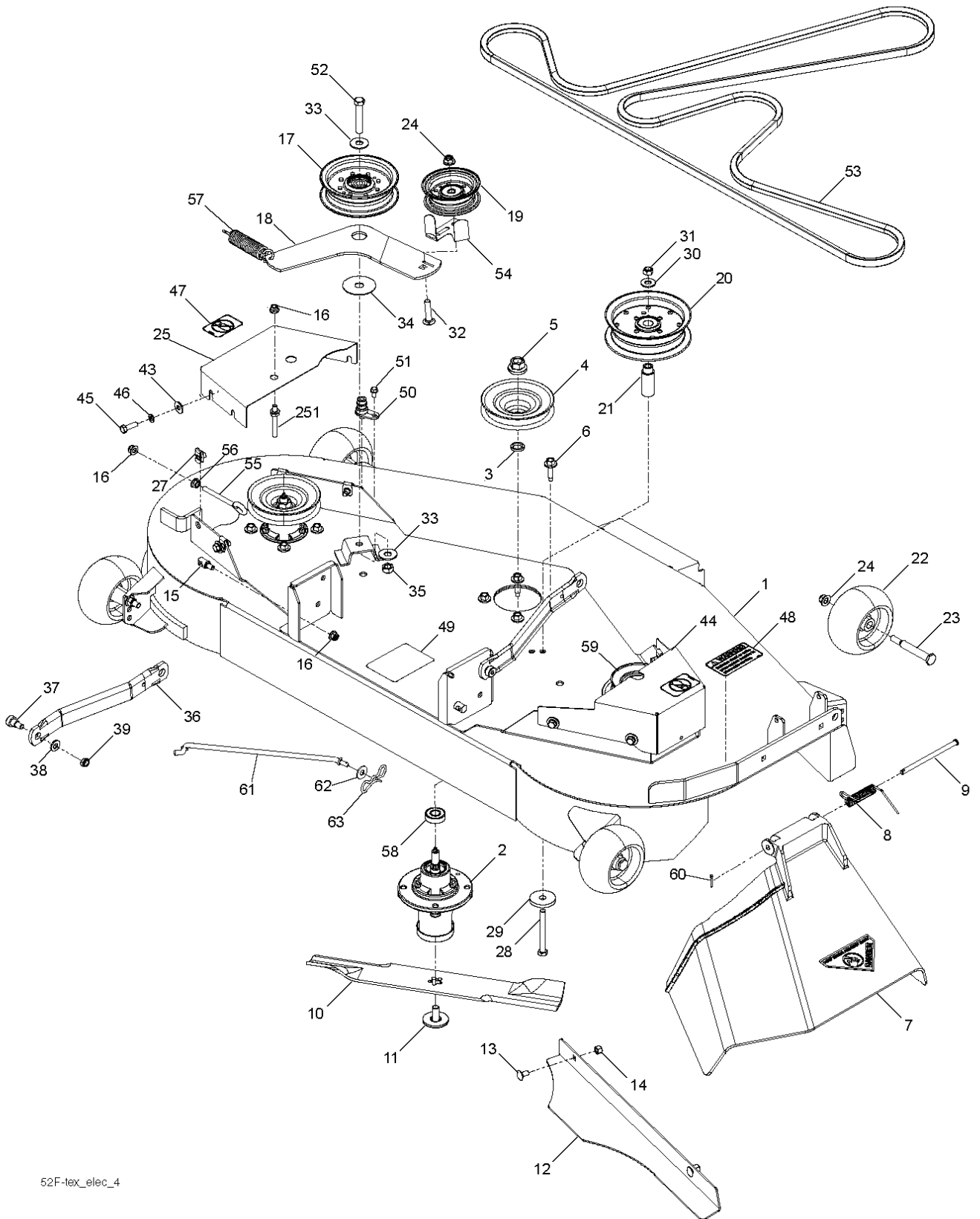
REF.	PART NO.	DESCRIPTION	REMARK	QTY.	KIT
1	532424073	SEAT W/ARMREST		1	
2	532180166	BRACKET		1	
3	532140675	STRAP		1	
6	873800600	NUT		1	
7	532124181	SPRING		1	
8	532171877	BOLT		1	
10	532196977	PLATE		1	
21	532171852	BOLT		1	
37	873800500	LOCK NUT		1	
40	532197661	HANDLE		1	
41	532198200	SPRING		1	
43	874760612	BOLT		1	
44	819133812	WASHER		1	



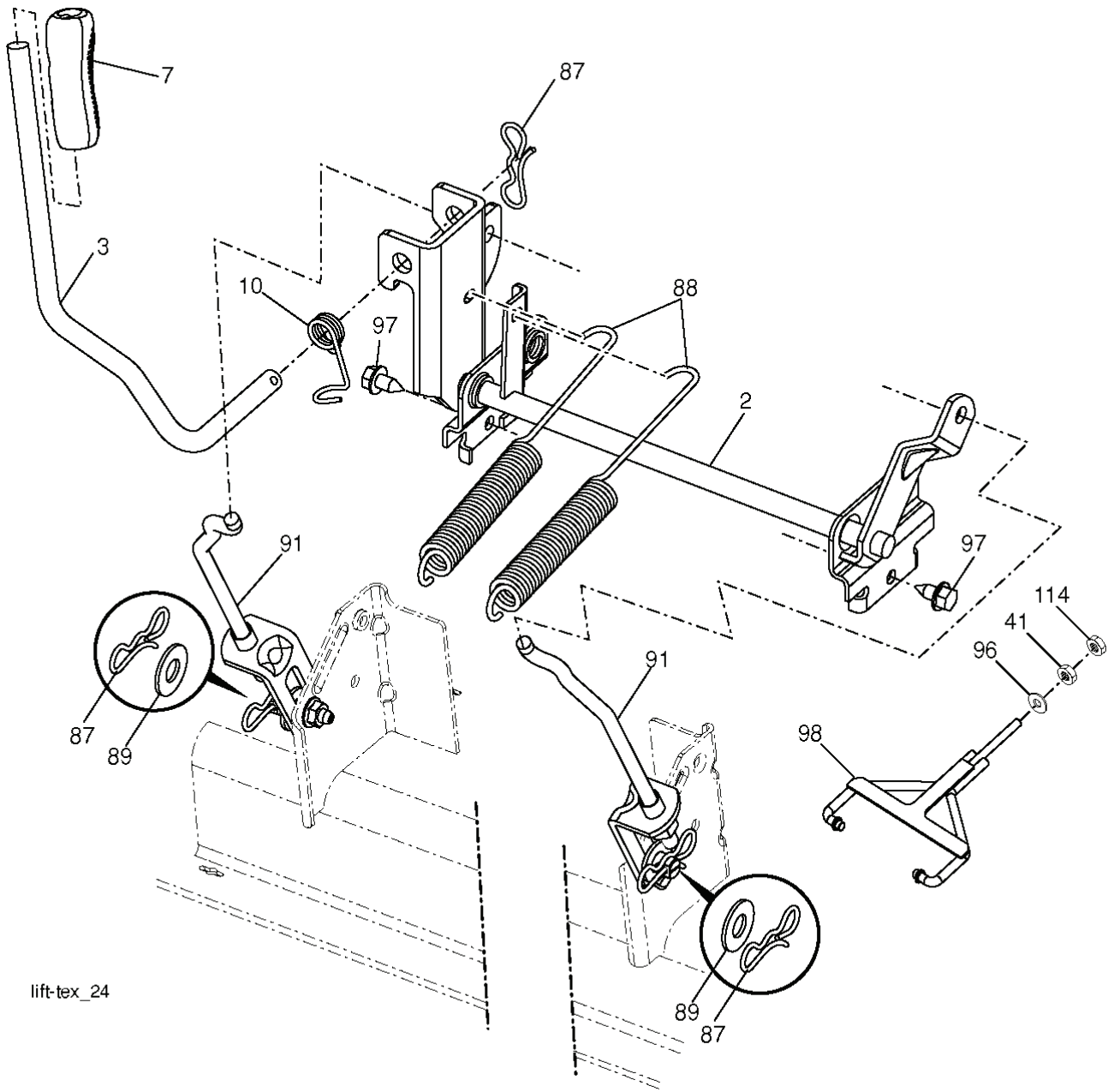
SPARK ARRESTER KIT

engine-tex_Kawa-2cyl_9

REF.	PART NO.	DESCRIPTION	REMARK	QTY.	KIT
1	000000000	W/O DESCRIPTION	ENGINE KAWA MODEL NO. FR730V-AS04	1	
2	532149723	MUFFLER		1	
9	532408667	INSERT REFLECTIVE LH		1	
11	532179335	CLUTCH		1	
12	532194343	PULLEY		1	
15	532422948	FUEL TANK		1	
18	532430213	FUEL CAP ASSY		1	
20	532424341	CONTROL THROTTLE		1	
21	532416358	SCREW		1	
22	532191596	COMMA*RPLPAR 532187767428		1	
28	532401135	LINE.FUEL.64'REAR.EMIS		1	
29	532137180	SPARK ARRESTER KIT		1	
37	532123487	HOSE CLAMP		1	
41	532126197	WASHER		1	
42	810040700	WASHER		1	
45	873510400	NUT		1	
62	532434017	SHIELD		1	
69	532178151	MUFFLER GASKET		1	
70	532424765	EXHAUST	LH	1	
71	532424766	EXHAUST	RH	1	
85	532179953	BOLT		1	
86	532184362	NUT		1	
87	532198239	BOLT		1	
90	817000616	SCREW		1	
91	532187495	BUSHING		1	
92	817120616	SCREW		1	
109	532414114	FILTER		1	
110	532414118	VALVE ASSY		1	
111	532414119	PURGE LINE CARB		1	
113	532414127	VALVE		1	
116	539132624	KNOB		1	
117	532420828	VALVE FUEL RESERVE		1	

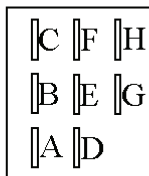
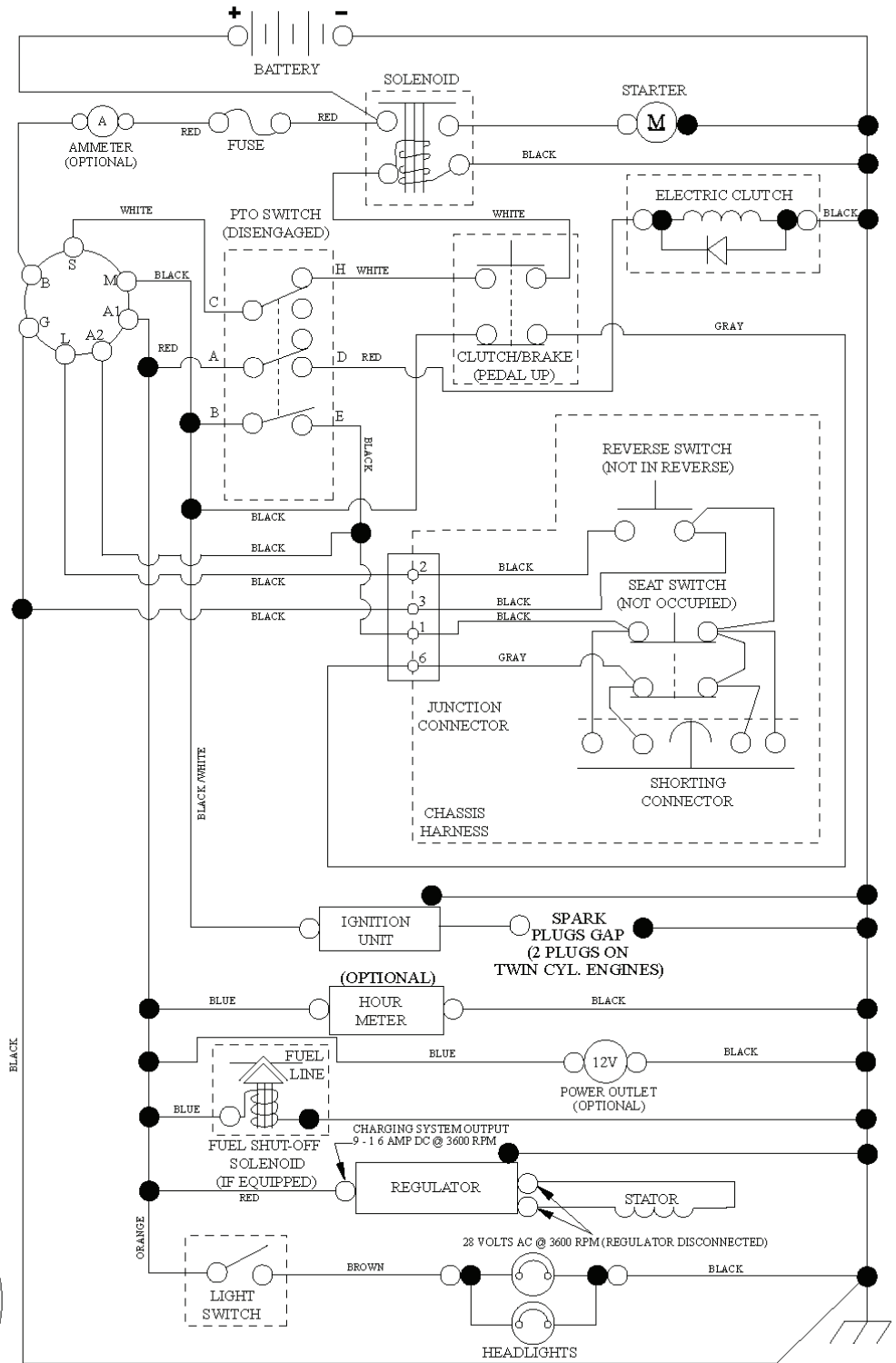


REF.	PART NO.	DESCRIPTION	REMARK	QTY.	KIT
1	575438003	DECK		1	
2	539112170	HOUSING ASSY		1	
3	532187690	WASHER		1	
4	532174375	PULLEY		1	
5	532400234	NUT		1	
6	532173984	SCREW		1	
7	539110733	CHUTE		1	
8	539110735	SPRING		1	
9	539110736	CLEVIS PIN		1	
10	574870801	BLADE		1	
11	532193003	SCREW		1	
12	574875002	PLATE		1	
13	872110505	BOLT		1	
14	873800500	LOCK NUT		1	
15	532195161	STUD		1	
16	539112899	NUT, 5/16-18, NYLOC		1	
17	532196104	PULLEY		1	
18	574841802	ARM		1	
19	532177968	PULLEY		1	
20	539132728	PULLEY		1	
21	575224501	BUSHING		1	
22	539107610	WHEEL		1	
23	532193406	BOLT		1	
24	521996501	NUT		1	
25	575224702	SHIELD		1	
27	539104763	CLIP		1	
28	539108271	BOLT		1	
29	539106504	WASHER		1	
30	819141614	WASHER		1	
31	539976979	NUT		1	
32	539990923	RHSNB 3/8-16X1-3/4 GR 5 ZD		1	
33	539104864	WASHER		1	
34	532178515	WASHER		1	
35	807390700	NUT		1	
36	532195185	ARM		1	
37	539113621	SB 3/8-16 X 3/8 SKT HD ZD		1	
38	819131316	WASHER		1	
39	539200282	NUT		1	
43	539990692	WASHER		1	
44	575967302	SHIELD		1	
45	874780516	BOLT		1	
46	810030500	WASHER		1	
47	539105743	DECAL		1	
48	539113224	DECAL		1	
49	532198785	LABEL		1	
50	532415598	HOSE COUPLING		1	
51	817490408	SCREW		1	
52	874780740	BOLT		1	
53	574845603	BELT		1	
54	532141043	GUARD		1	
55	539115574	EYE BOLT		1	
56	539990585	NUT		1	
57	539106850	SPRING		1	
58	539112050	BALL BEARING		1	
59	575352901	PULLEY		1	
60	532169484	PIN		1	
61	532404851	ROD		1	
62	819131312	WASHER		1	
63	532194208	PIN		1	
251	532123405	BELT GUIDE		1	
	532445361	DECK SHELL ASSY		1	
	532176066	ROLLER	NOT SHOWN	1	

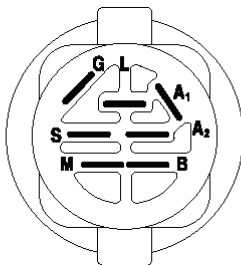


lift-tex_24

REF.	PART NO.	DESCRIPTION	REMARK	QTY.	KIT
2	532422027	SHAFT		1	
3	532195230	LEVER		1	
7	532411555	GRIP		1	
10	532196314	SPRING		1	
41	532175994	NUT		1	
87	532194209	SPRING		1	
88	532195304	SPRING		1	
89	819191912	WASHER		1	
91	532403407	LINK		1	
96	532195263	BUSHING		1	
97	817000612	SCREW		1	
98	574822501	SUSPENSION		1	
114	873360700	NUT		1	

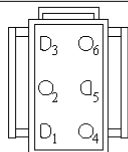


PTO SWITCH (MATING SIDE)

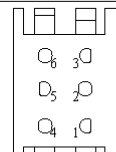


IGNITION SWITCH

POSITION	CIRCUIT	"MAKE"
OFF	M+G+A1	
RUN/OVERRIDE	B+A1	
RUN	B+A1	L+A2
START	B + S + A1	



CHASSIS HARNESS CONNECTOR (MATING SIDE)

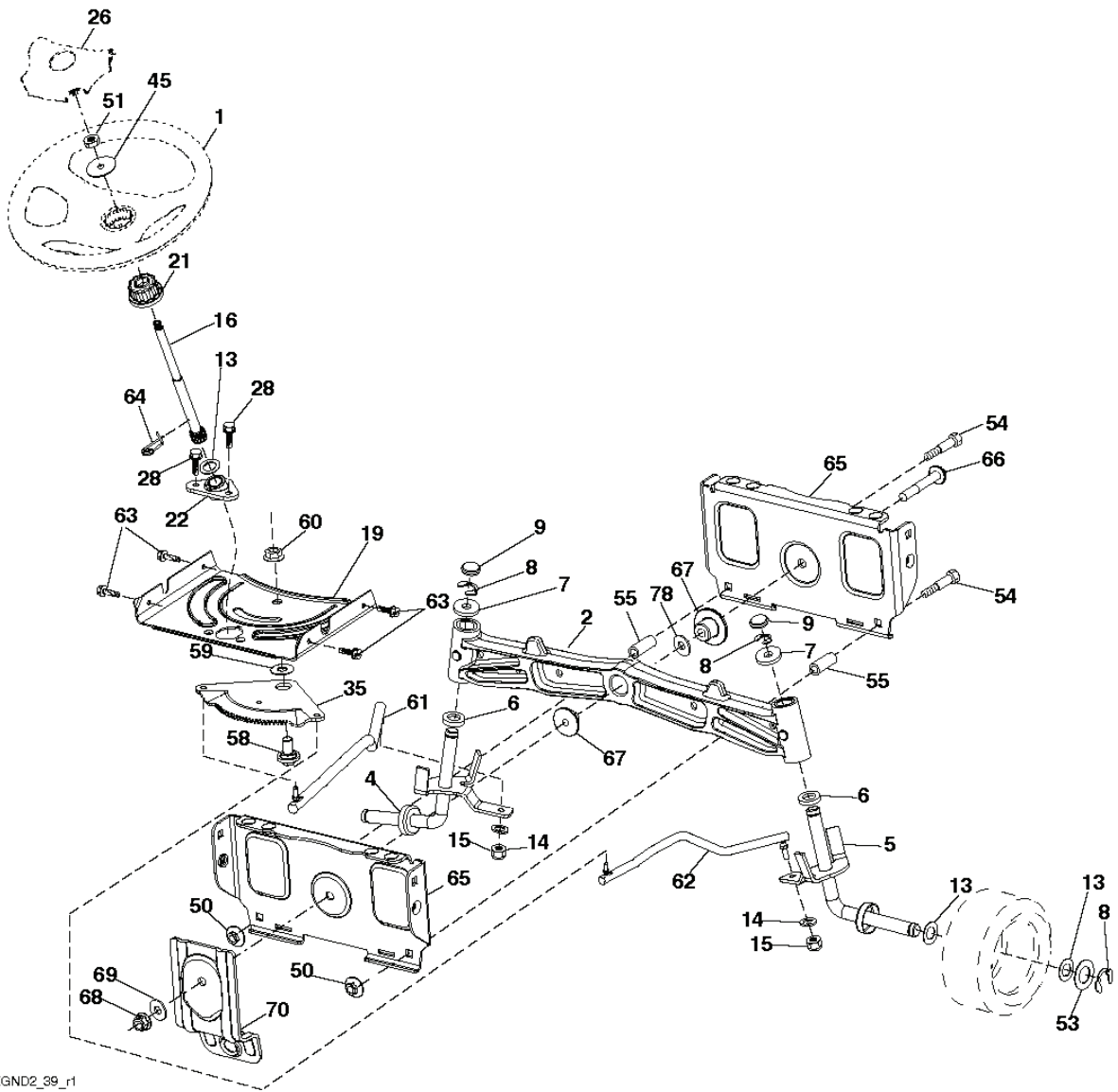


DASH HARNESS CONNECTOR

WIRING INSULATED CLIPS
NOTE: IF WIRING INSULATED CLIPS WERE REMOVED FOR SERVICING OF UNIT, THEY SHOULD BE RE-INSTALLED TO PROPERLY SECURE YOUR WIRING.

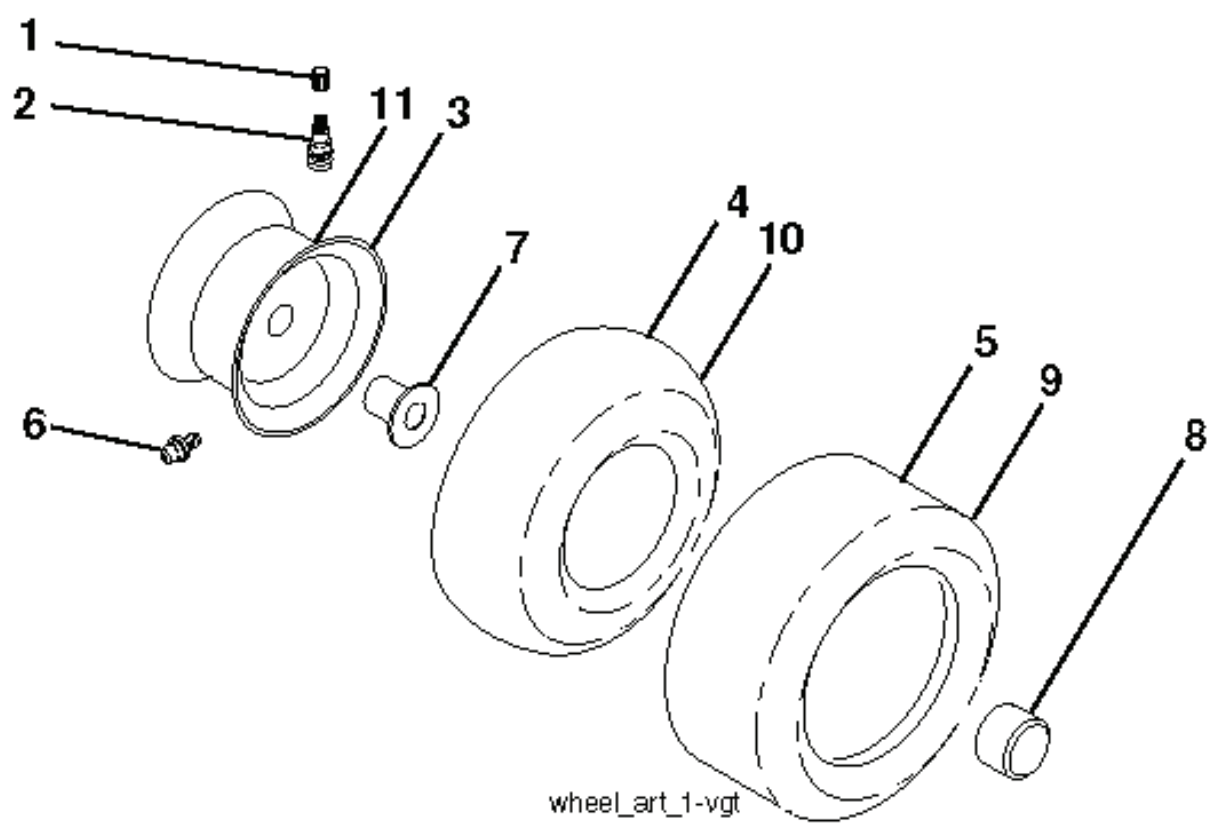
● NON-REMOVABLE CONNECTIONS

○ REMOVABLE CONNECTIONS



Steering-tex_LEGND2_39_r1

REF.	PART NO.	DESCRIPTION	REMARK	QTY.	KIT
1	532416480	STEERING WHEEL		1	
2	532195968	SHAFT	FRONT	1	
4	532403089	SPINDLE SHAFT	LH	1	
5	532403090	SPINDLE SHAFT	RH	1	
6	532124931	WASHER		1	
7	532121748	WASHER		1	
8	812000029	RETAINER RING		1	
9	532121232	HUB CAP		1	
13	532121749	WASHER		1	
14	810040600	WASHER		1	
15	873540600	NUT		1	
16	532408219	SHAFT		1	
19	532194729	PLATE		1	
21	532186737	ADAPTER		1	
22	532420537	SUPPORT		1	
26	532415987	KNOB		1	
28	817000612	SCREW		1	
35	532194732	PLATE		1	
45	819183812	WASHER		1	
50	873900600	NUT		1	
51	873940800	NUT		1	
53	532188967	WASHER		1	
54	874760636	BOLT		1	
55	532414736	SPACER		1	
58	532194747	BOLT		1	
59	532194748	WASHER		1	
60	873971000	NUT		1	
61	532194740	LINK	LH	1	
62	532194741	LINK	RH	1	
63	817000512	SCREW		1	
64	532199849	SPRING RETAINER		1	
65	532194734	BRACKET	FRONT	1	
66	871020748	BOLT		1	
67	532194737	BUSHING	FRONT	1	
68	873900700	NUT		1	
69	532199162	WASHER		1	
70	532196197	BRACKET		1	
78	532057079	WASHER		1	



REF.	PART NO.	DESCRIPTION	REMARK	QTY.	KIT
1	532059192	CAP VALVE		1	
2	532065139	NIPPLE		1	
3	532181839	RIM ASSY	FRONT	1	
4	532008134	HOSE	Front (Service Item Only)	1	
5	532161024	TIRE FRONT		1	
6	532124957	FITTING	Front Wheel Only	1	
7	532124959	BEARING	Front Wheel Only	1	
8	532175039	HUB CAP	Front Wheel Only	1	
9	532170453	TIRE REAR		1	
10	532007154	HOSE	Rear (Service Item Only)	1	
11	532144510	WHEEL	REAR	1	
	532144334	SEALING FOAM	10 oz. Tube	1	
	PART NO.		REMARK		KIT