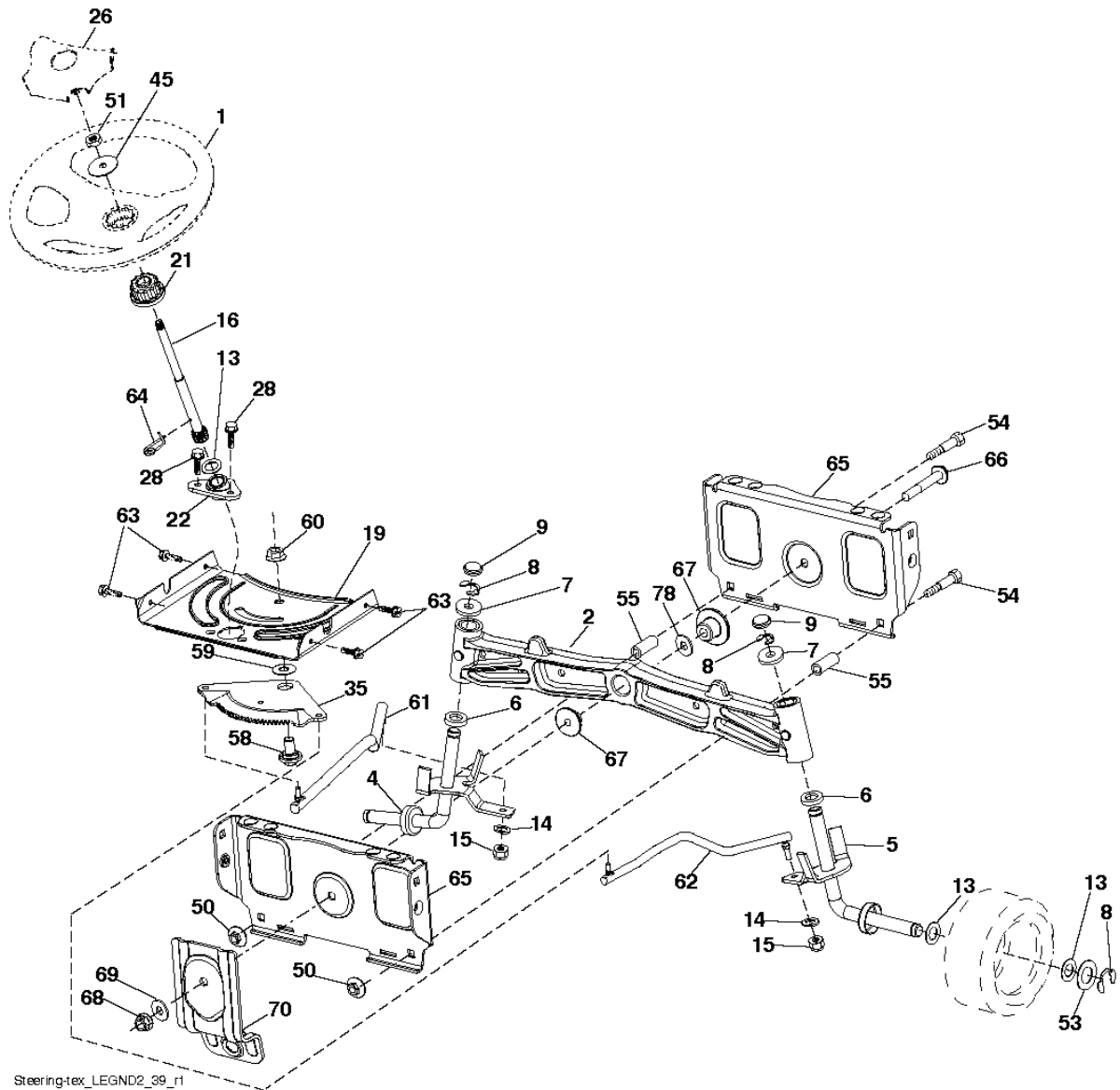


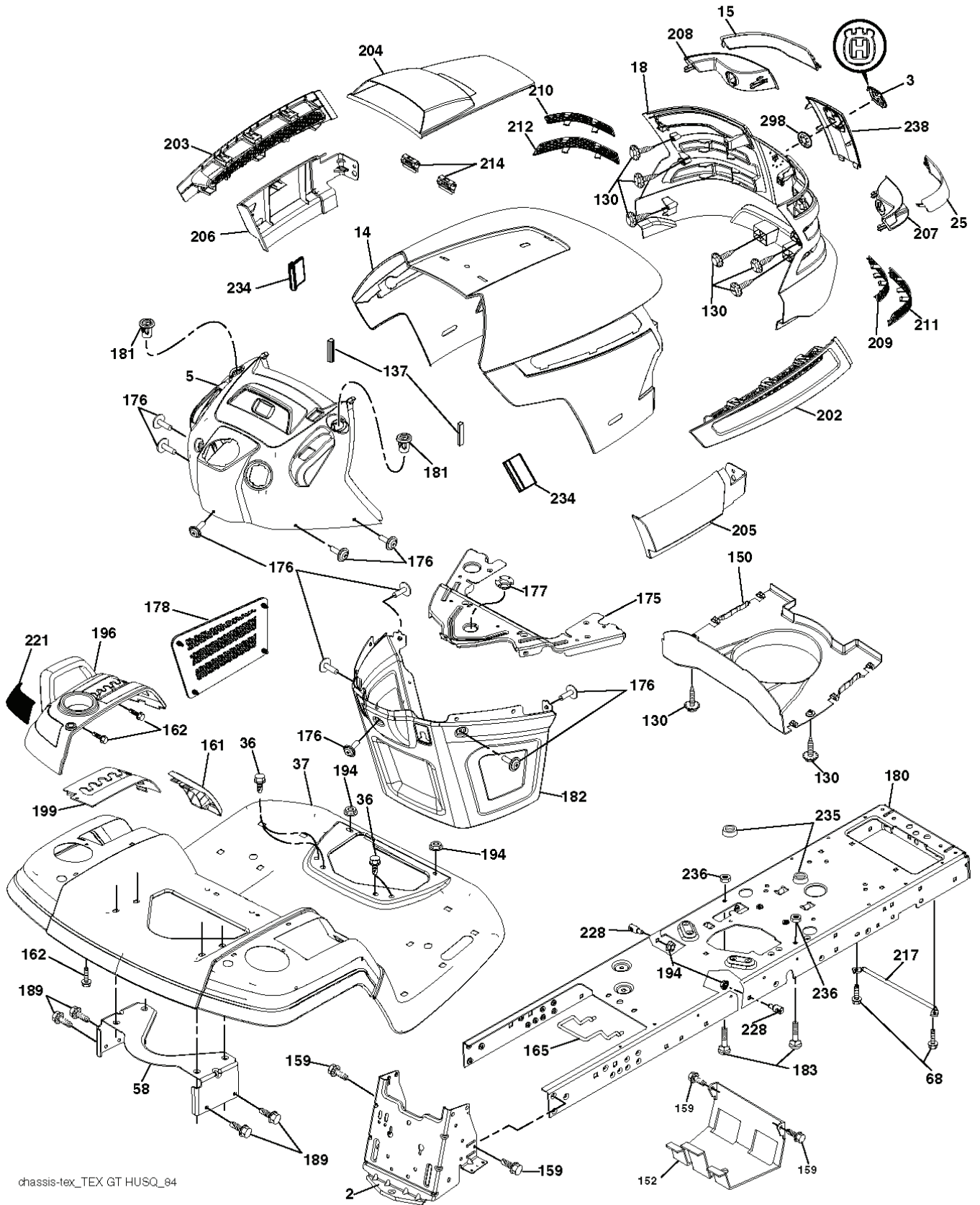
GTH27V52 LS, 96043009101, 2010-03

SPARE PARTS LIST

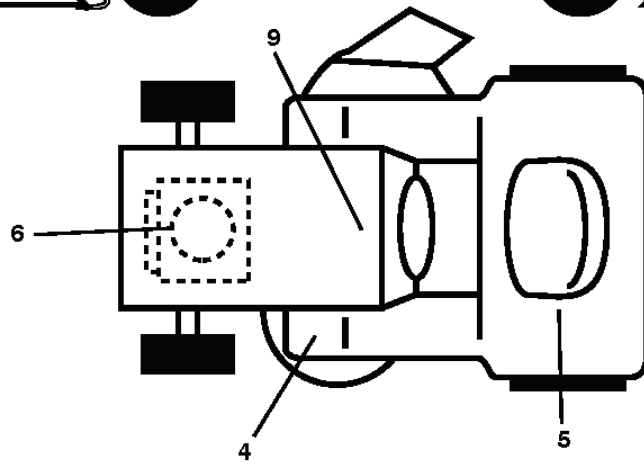
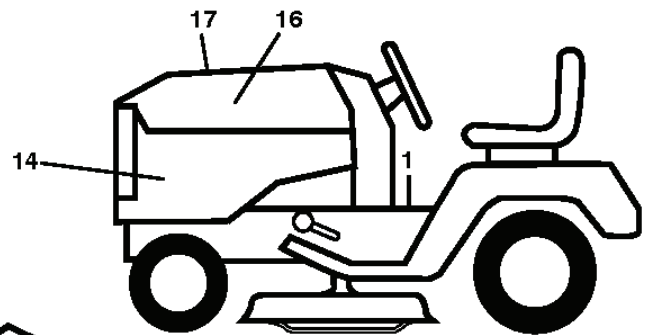
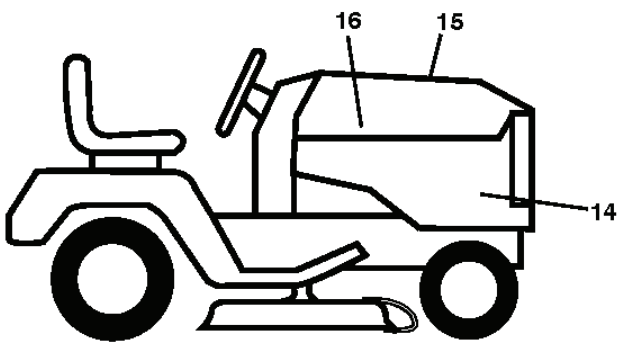


Steering-tex_LEGND2_39_r1

| REF. | PART NO. | DESCRIPTION | REMARK | QTY. | KIT |
|------|-----------|-----------------|--------|------|-----|
| 1 | 532416480 | STEERING WHEEL | | 1 | |
| 2 | 532195968 | SHAFT | FRONT | 1 | |
| 4 | 532403089 | SPINDLE SHAFT | LH | 1 | |
| 5 | 532403090 | SPINDLE SHAFT | RH | 1 | |
| 6 | 532124931 | WASHER | | 1 | |
| 7 | 532121748 | WASHER | | 1 | |
| 8 | 812000029 | RETAINER RING | | 1 | |
| 9 | 532121232 | HUB CAP | | 1 | |
| 13 | 532121749 | WASHER | | 1 | |
| 14 | 810040600 | WASHER | | 1 | |
| 15 | 873540600 | NUT | | 1 | |
| 16 | 532408219 | SHAFT | | 1 | |
| 19 | 532194729 | PLATE | | 1 | |
| 21 | 532186737 | ADAPTER | | 1 | |
| 22 | 532420537 | SUPPORT | | 1 | |
| 26 | 532415987 | KNOB | | 1 | |
| 28 | 817000612 | SCREW | | 1 | |
| 35 | 532194732 | PLATE | | 1 | |
| 45 | 819183812 | WASHER | | 1 | |
| 50 | 873900600 | NUT | | 1 | |
| 51 | 873940800 | NUT | | 1 | |
| 53 | 532188967 | WASHER | | 1 | |
| 54 | 874760636 | BOLT | | 1 | |
| 55 | 532414736 | SPACER | | 1 | |
| 58 | 532194747 | BOLT | | 1 | |
| 59 | 532194748 | WASHER | | 1 | |
| 60 | 873971000 | NUT | | 1 | |
| 61 | 532194740 | LINK | LH | 1 | |
| 62 | 532194741 | LINK | RH | 1 | |
| 63 | 817000512 | SCREW | | 1 | |
| 64 | 532199849 | SPRING RETAINER | | 1 | |
| 65 | 532194734 | BRACKET | FRONT | 1 | |
| 66 | 871020748 | BOLT | | 1 | |
| 67 | 532194737 | BUSHING | FRONT | 1 | |
| 68 | 873900700 | NUT | | 1 | |
| 69 | 532199162 | WASHER | | 1 | |
| 70 | 532196197 | BRACKET | | 1 | |
| 78 | 532057079 | WASHER | | 1 | |



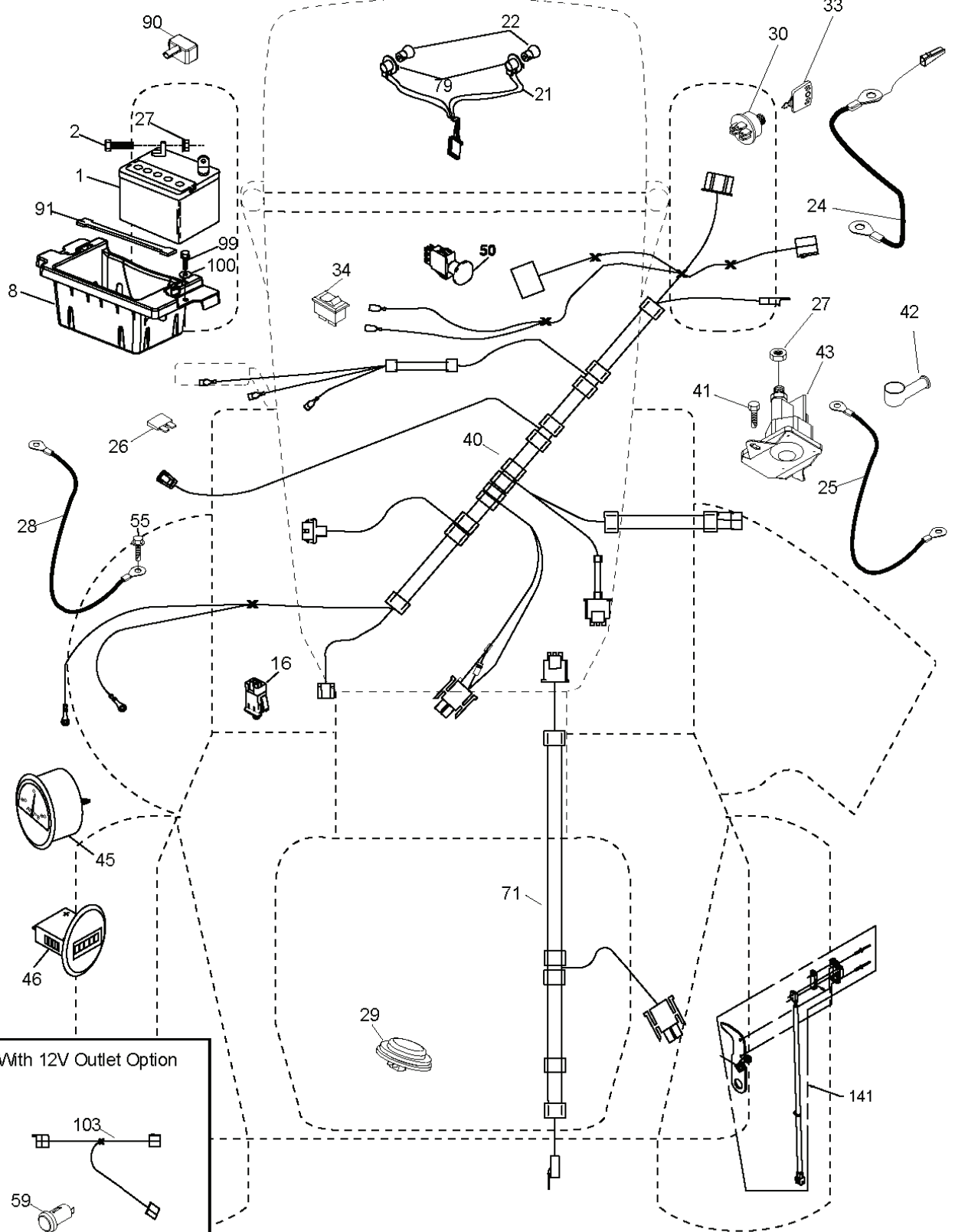
| REF. | PART NO. | DESCRIPTION | REMARK | QTY. | KIT |
|------|-----------|---------------|--------|------|-----|
| 2 | 532194261 | DRAWBAR.STGT | | 1 | |
| 3 | 532405012 | LOGOTYPE | | 1 | |
| 5 | 532448448 | DASH | DASH | 1 | |
| 14 | 532411046 | HOOD | | 1 | |
| 15 | 532198907 | LENS | LH | 1 | |
| 18 | 532408607 | FRONT COVER | | 1 | |
| 25 | 532198906 | LENS | RH | 1 | |
| 36 | 817060512 | SCREW | | 1 | |
| 37 | 532401825 | FENDER | | 1 | |
| 58 | 532194314 | BRACKET | | 1 | |
| 68 | 817490508 | SCREW | | 1 | |
| 130 | 532416358 | SCREW | | 1 | |
| 137 | 532407590 | DAMPING PIECE | | 1 | |
| 150 | 532198512 | BRACKET | | 1 | |
| 152 | 532194329 | SHIELD | | 1 | |
| 159 | 817000612 | SCREW | | 1 | |
| 161 | 532401826 | CONSOLE | | 1 | |
| 162 | 532142432 | SCREW | | 1 | |
| 165 | 532194330 | SUPPORT | | 1 | |
| 175 | 532196304 | SUPPORT | | 1 | |
| 176 | 532400776 | SCREW | | 1 | |
| 177 | 532195227 | BUSHING | | 1 | |
| 178 | 532199782 | NET | | 1 | |
| 180 | 532194260 | CHASSIS | | 1 | |
| 181 | 532403025 | BUSHING | | 1 | |
| 182 | 532406859 | DASH | | 1 | |
| 183 | 874520520 | BOLT | | 1 | |
| 189 | 817000512 | SCREW | | 1 | |
| 194 | 873900500 | NUT | | 1 | |
| 196 | 532417778 | CONSOLE | | 1 | |
| 199 | 532198259 | PLATE | | 1 | |
| 202 | 532403048 | LIST | RH | 1 | |
| 203 | 532403076 | LIST | LH | 1 | |
| 204 | 532416613 | COVER | | 1 | |
| 205 | 532401709 | LIST | RH | 1 | |
| 206 | 532401711 | LIST | LH | 1 | |
| 207 | 532197198 | LENS | RH | 1 | |
| 208 | 532197199 | LENS | LH | 1 | |
| 209 | 532199130 | INSERT | RH | 1 | |
| 210 | 532199131 | INSERT | LH | 1 | |
| 211 | 532199132 | INSERT | RH | 1 | |
| 212 | 532199133 | INSERT | LH | 1 | |
| 214 | 532199145 | CLIP | | 1 | |
| 217 | 532409167 | ROD | | 1 | |
| 221 | 532198909 | LENS | LH | 1 | |
| 228 | 532195161 | STUD | | 1 | |
| 234 | 532404742 | DAMPING PIECE | | 1 | |
| 235 | 532406129 | SPACER | | 1 | |
| 236 | 873930500 | NUT | | 1 | |
| 238 | 532408606 | PLATE | | 1 | |
| 298 | 532110452 | NUT | | 1 | |
| -- | 532431882 | GUARD | | 1 | |



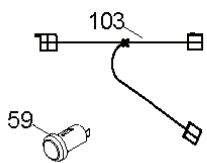
| REF. | PART NO. | DESCRIPTION | REMARK | QTY. | KIT |
|------|-----------|-------------|--------|------|-----|
| 1 | 532411658 | DECAL | | 1 | |
| 4 | 532418600 | DECAL | | 1 | |
| 5 | 532426209 | DECAL | | 1 | |
| 6 | 532432918 | DECAL | | 1 | |
| 9 | 532145005 | DECAL | | 1 | |
| 14 | 532433697 | DECAL | | 1 | |
| 15 | 532423829 | DECAL | | 1 | |
| 16 | 532429196 | DECAL | | 1 | |
| 17 | 532433502 | DECAL | | 1 | |
| -- | 532166960 | DECAL | | 1 | |
| -- | 532401771 | FOOTREST | | 1 | |
| -- | 532403773 | FOOTREST | | 1 | |

| REF. | PART NO. | DESCRIPTION | REMARK | QTY. | KIT |
|------|-----------|--------------------------------|--------------------------------------|------|-----|
| 1 | 000000000 | W/O DESCRIPTION | * Transaxle, Hydro G7-BCBB-1XDC-1FCA | 1 | |
| 2 | 532007070 | KEY | | 1 | |
| 3 | 532007563 | WASHER | | 1 | |
| 7 | 532199837 | WHEEL | | 1 | |
| 9 | 532140080 | BOLT | | 1 | |
| 15 | 819131316 | WASHER | | 1 | |
| 17 | 532197296 | SPRING | | 1 | |
| 26 | 532199679 | SPRING | | 1 | |
| 29 | 532418186 | *MUD TIE AND WHEEL FRONT PASSE | | 1 | |
| 33 | 812000053 | E-CLIP | | 1 | |
| 35 | 532199591 | ROD | | 1 | |
| 42 | 532124872 | PEDAL RUBBER | | 1 | |
| 48 | 872110612 | BOLT | | 1 | |
| 49 | 872110614 | BOLT | | 1 | |
| 50 | 532194327 | PULLEY | | 1 | |
| 51 | 873900600 | NUT | | 1 | |
| 52 | 532194326 | PULLEY | | 1 | |
| 56 | 532420807 | BELT | | 1 | |
| 64 | 532197865 | SHAFT | | 1 | |
| 69 | 532123800 | WASHER | | 1 | |
| 70 | 532400530 | PANEL | | 1 | |
| 73 | 874490548 | BOLT | | 1 | |
| 74 | 532142432 | SCREW | | 1 | |
| 80 | 532418184 | STRAP TORQUE | | 1 | |
| 92 | 874760520 | BOLT | | 1 | |
| 99 | 532418188 | *1 FRONT MUD TIRE AND ALLOY W | | 1 | |
| 114 | 873800500 | LOCK NUT | | 1 | |
| 116 | 873900500 | NUT | | 1 | |
| 121 | 532175611 | CHAPPE DE FIXATION | | 1 | |
| 125 | 817000512 | SCREW | | 1 | |
| 145 | 532163168 | WASHER | | 1 | |
| 153 | 532124788 | RETAINER RING | | 1 | |
| 159 | 876020412 | SPLIT PIN | | 1 | |
| 160 | 532169484 | PIN | | 1 | |
| 161 | 532105709 | SPRING | | 1 | |
| 163 | 532418185 | *MUD TIRE AND WHEEL FRONT 1 | | 1 | |
| 166 | 532429164 | NUT | | 1 | |
| 167 | 532405257 | LATCH | | 1 | |
| 184 | 532403118 | CONTROL | | 1 | |
| 186 | 532194321 | SPACER | | 1 | |
| 187 | 819133210 | WASHER | | 1 | |
| 188 | 532194323 | LINK | | 1 | |
| 189 | 532407504 | DECAL | | 1 | |
| 190 | 532407505 | SPRING | | 1 | |
| 196 | 817000616 | SCREW | | 1 | |
| 197 | 532199769 | BRACKET | | 1 | |
| 203 | 819111116 | WASHER | | 1 | |
| 206 | 532197867 | BRACKET | | 1 | |
| 207 | 532197868 | LATCH | | 1 | |
| 208 | 532197869 | SUPPORT | | 1 | |
| 209 | 532199592 | ROD | | 1 | |
| 210 | 532197860 | ARM | RH | 1 | |
| 211 | 532120183 | BEARING | | 1 | |
| 213 | 532403119 | CONTROL | | 1 | |
| 214 | 532416863 | PEDAL.FORWARD.HUSQVARNA.DEALER | | 1 | |
| 215 | 532401723 | PEDAL | | 1 | |
| 220 | 532198908 | LENS | RH | 1 | |
| 221 | 532403187 | SPRING | | 1 | |
| 222 | 879212010 | WASHER | | 1 | |
| 284 | 532417693 | NUT | | 1 | |
| 285 | 532417765 | SCREW.PHD.1/4-20.BOX DRVE | | 1 | |
| 286 | 872010520 | BOLT | | 1 | |
| 306 | 876020416 | SPLIT PIN | | 1 | |

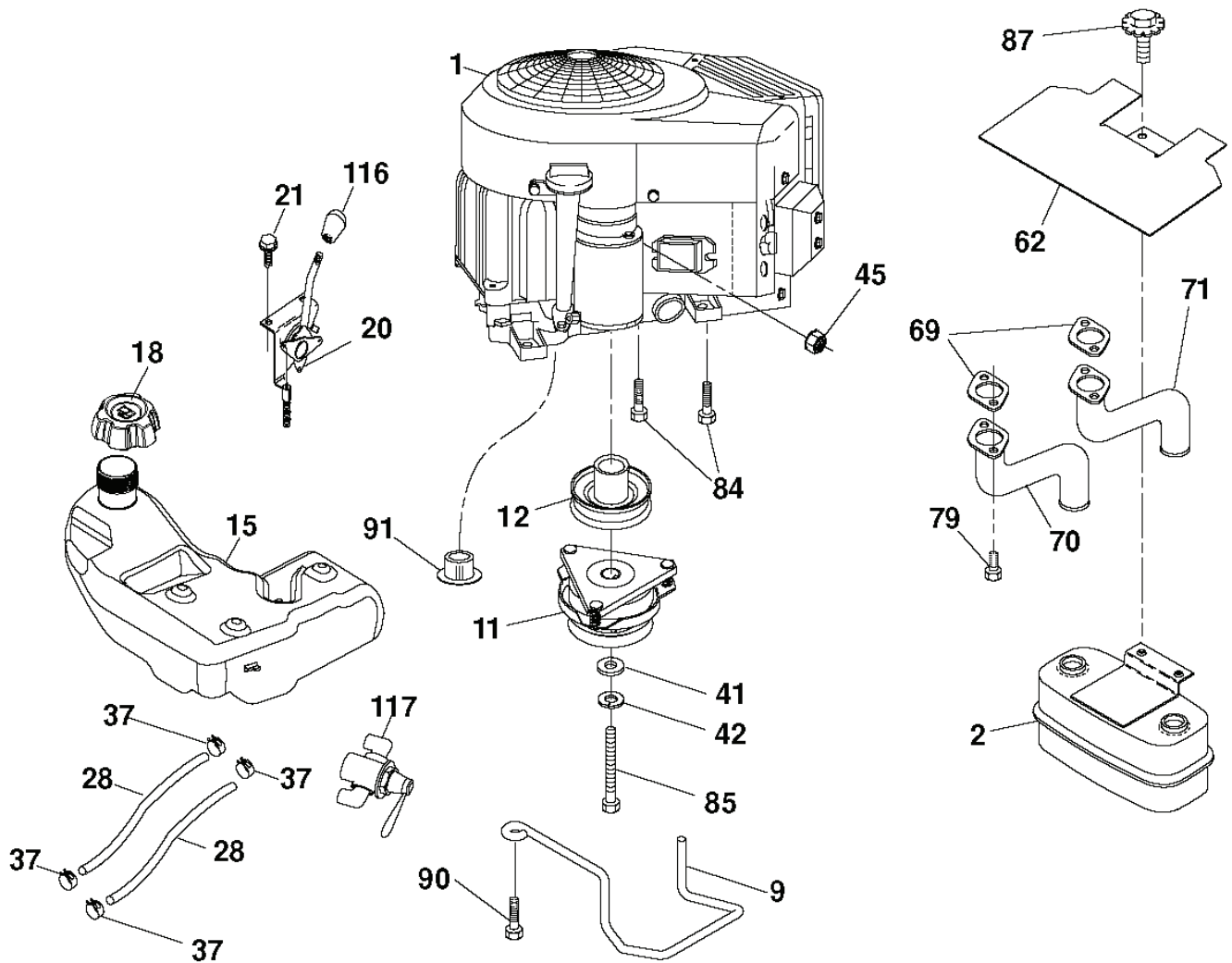
T14S



With 12V Outlet Option



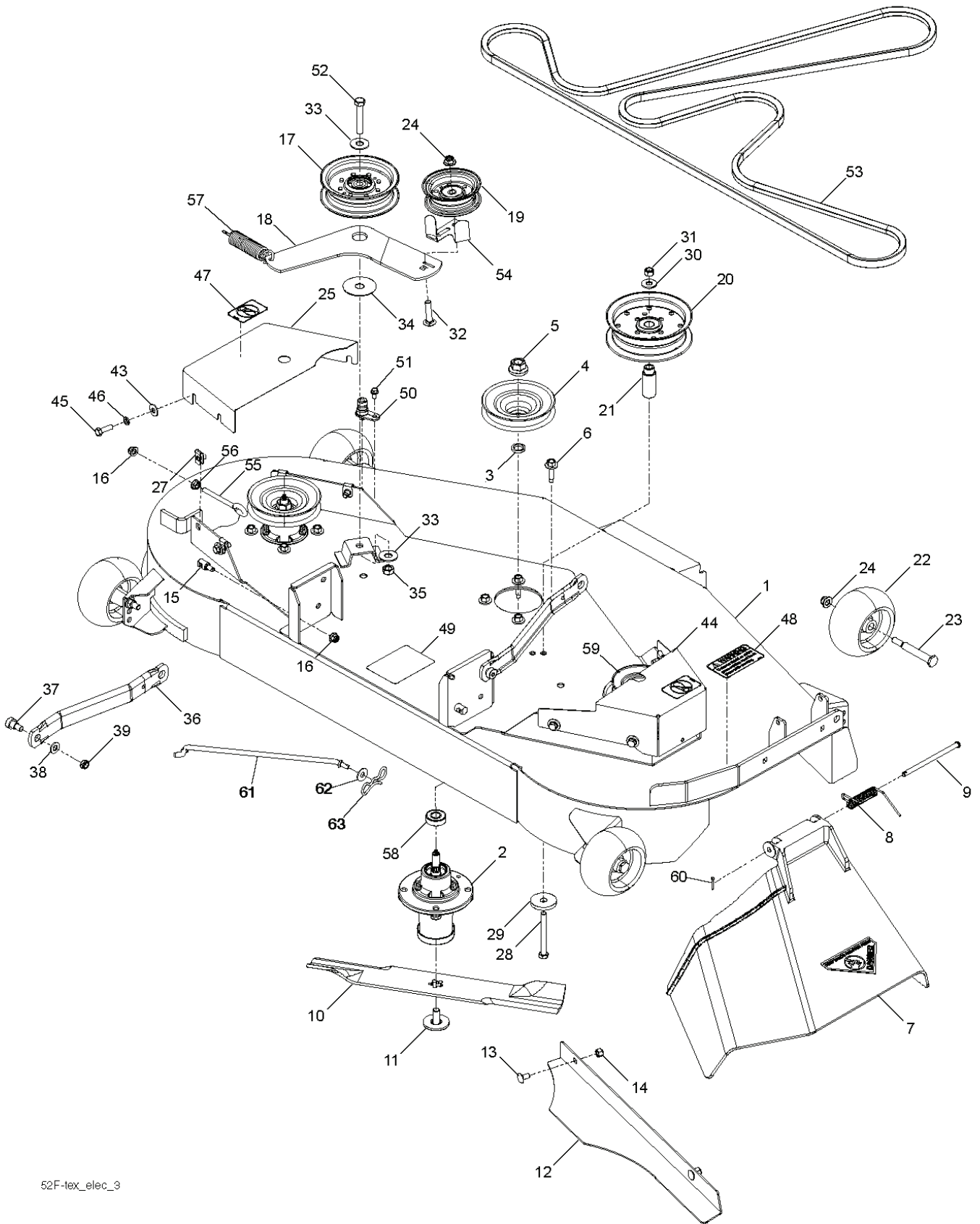
| REF. | PART NO. | DESCRIPTION | REMARK | QTY. | KIT |
|------|-----------|--------------------------------|--------|------|-----|
| 1 | 532163465 | BATTERY | | 1 | |
| 2 | 874760412 | BOLT | | 1 | |
| 8 | 532186491 | BOX | | 1 | |
| 16 | 532176138 | MICRO SWITCH | | 1 | |
| 21 | 532183759 | HARNESS | | 1 | |
| 22 | 532004152 | BULB | | 1 | |
| 24 | 532400253 | CABLE | | 1 | |
| 25 | 532412895 | CABLE.STARTER.6G.BL/RE*SUBS/2* | | 1 | |
| 26 | 532175158 | FUSE | | 1 | |
| 27 | 873510400 | NUT | | 1 | |
| 28 | 532145491 | CABLE | | 1 | |
| 29 | 532401545 | SWITCH | | 1 | |
| 30 | 532193350 | IGNITION MODULE | | 1 | |
| 33 | 532411935 | KEY | | 1 | |
| 34 | 532110712 | SWITCH | | 1 | |
| 40 | 532429083 | HARNESS | | 1 | |
| 41 | 817720408 | SCREW | | 1 | |
| 42 | 532131563 | COVER | | 1 | |
| 43 | 532192507 | SOLENOID | | 1 | |
| 45 | 532425270 | GAUGE | | 1 | |
| 46 | 532425271 | GAUGE | | 1 | |
| 50 | 532174651 | SWITCH | | 1 | |
| 55 | 817060512 | SCREW | | 1 | |
| 59 | 532400303 | OUTLET-12 VOLT | | 1 | |
| 71 | 532194276 | CABLE ASSY | | 1 | |
| 79 | 532175242 | HOLDER | | 1 | |
| 90 | 532400724 | COVER | | 1 | |
| 91 | 532190270 | STRAP BATTERY MOUNT FRO | | 1 | |
| 99 | 817670412 | SCREW | | 1 | |
| 100 | 819091416 | WASHER | | 1 | |
| 103 | 532421747 | HARNESS | | 1 | |
| 141 | 532421225 | KIT.G700/G730.ROS.SERV(71750) | | 1 | |



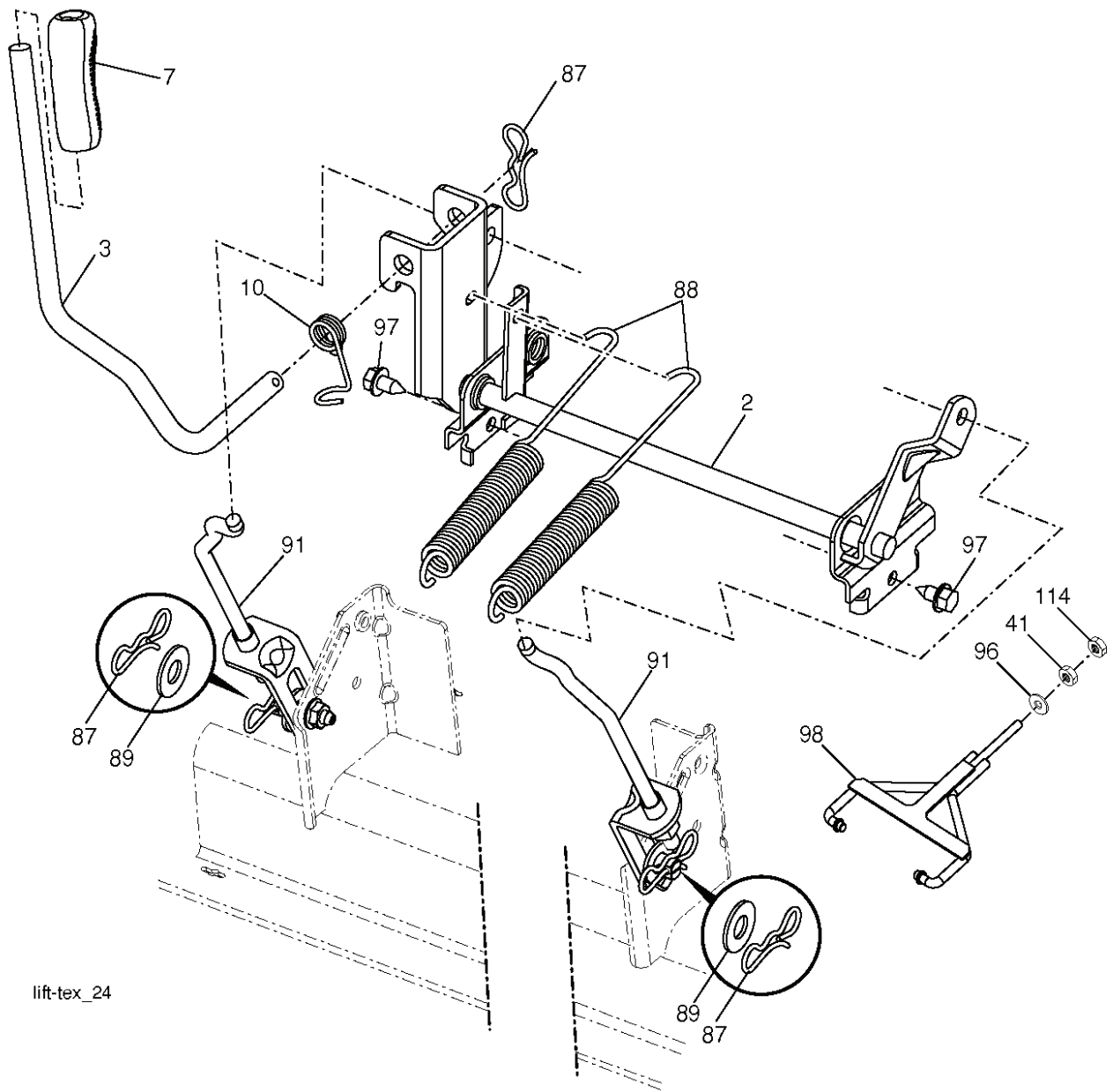
SPARK ARRESTER KIT

engine-tex_bs-2cyl_26

| REF. | PART NO. | DESCRIPTION | REMARK | QTY. | KIT |
|------|-----------|------------------------|--|------|-----|
| 1 | 000000000 | W/O DESCRIPTION | Engine B&S Model No. 44Q777-1272-B1 | 1 | |
| 2 | 532149723 | MUFFLER | | 1 | |
| 9 | 532408667 | INSERT REFLECTIVE LH | | 1 | |
| 11 | 532179335 | CLUTCH | | 1 | |
| 12 | 532194343 | PULLEY | | 1 | |
| 15 | 532422804 | TANK FUEL | | 1 | |
| 18 | 532430217 | HUB CAP | | 1 | |
| 20 | 532424341 | CONTROL THROTTLE | | 1 | |
| 21 | 532416358 | SCREW | | 1 | |
| 28 | 532401135 | LINE.FUEL.64"REAR.EMIS | | 1 | |
| 29 | 532137180 | SPARK ARRESTER KIT | | 1 | |
| 37 | 532123487 | HOSE CLAMP | | 1 | |
| 41 | 532126197 | WASHER | | 1 | |
| 42 | 810040700 | WASHER | | 1 | |
| 45 | 873510400 | NUT | | 1 | |
| 62 | 532434017 | SHIELD | | 1 | |
| 69 | 532165391 | GASKET | | 1 | |
| 70 | 532159955 | TUBE | LH | 1 | |
| 71 | 532160589 | TUBE | RH | 1 | |
| 79 | 532183906 | SCREW | | 1 | |
| 84 | 817060620 | SCREW | | 1 | |
| 85 | 532179953 | BOLT | | 1 | |
| 87 | 532198239 | BOLT | | 1 | |
| 90 | 817000616 | SCREW | | 1 | |
| 91 | 532187495 | BUSHING | | 1 | |
| 116 | 539132624 | KNOB | | 1 | |
| 117 | 532420828 | VALVE FUEL RESERVE | | 1 | |

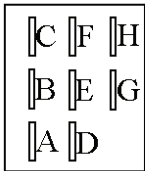
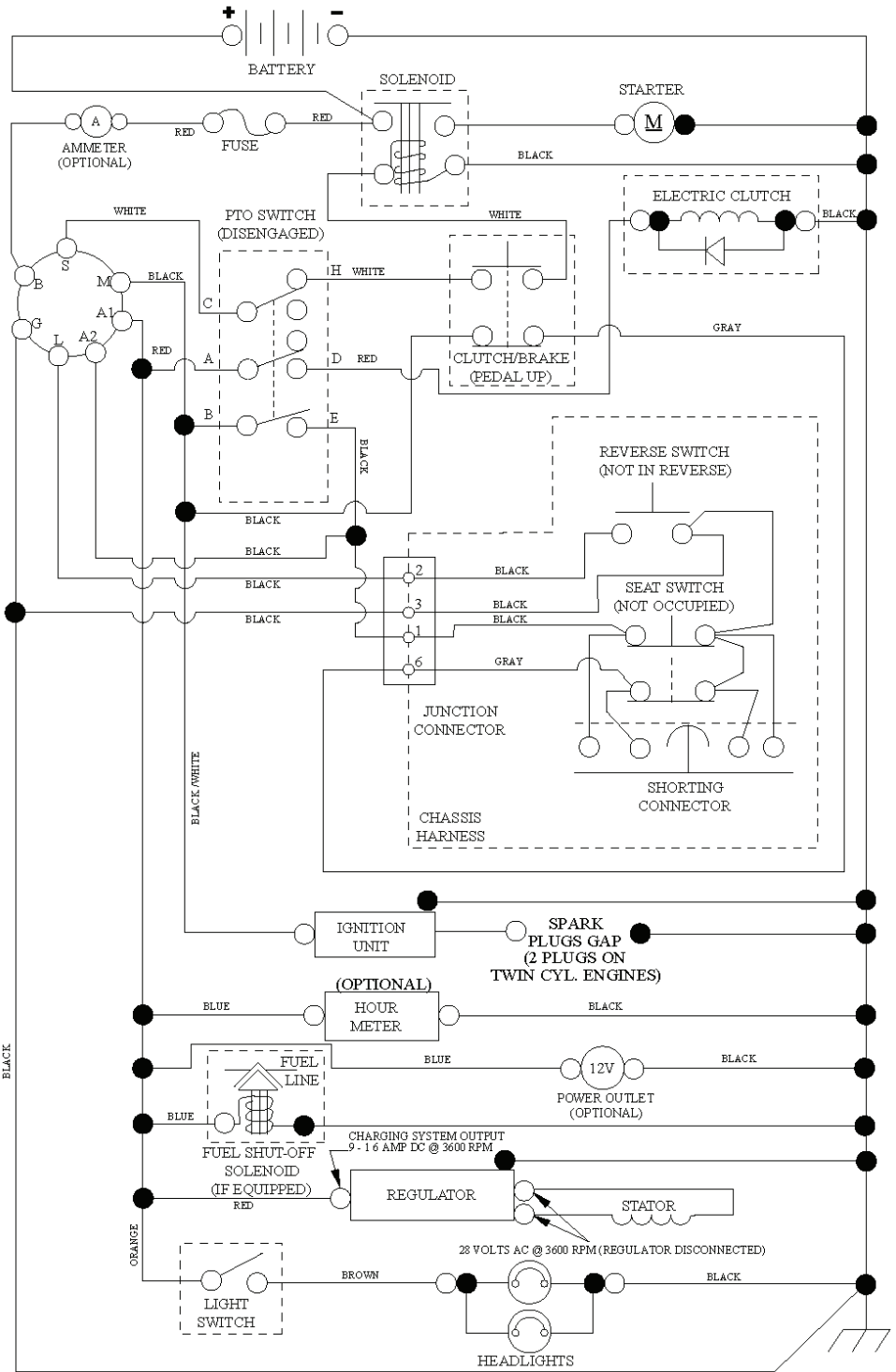


| REF. | PART NO. | DESCRIPTION | REMARK | QTY. | KIT |
|------|-----------|----------------------------|--------|------|-----|
| 1 | 575438003 | DECK | | 1 | |
| 2 | 539112170 | HOUSING ASSY | | 1 | |
| 3 | 539107520 | WASHER | | 1 | |
| 4 | 532107521 | PULLEY | | 1 | |
| 5 | 539107590 | NUT | | 1 | |
| 6 | 539107630 | SCREW | | 1 | |
| 7 | 539110733 | CHUTE | | 1 | |
| 8 | 539110735 | SPRING | | 1 | |
| 9 | 539110736 | CLEVIS PIN | | 1 | |
| 10 | 574870801 | BLADE | | 1 | |
| 11 | 539107522 | BOLT | | 1 | |
| 12 | 574875002 | PLATE | | 1 | |
| 13 | 539990799 | BOLT | | 1 | |
| 14 | 539990717 | NUT | | 1 | |
| 15 | 532195161 | STUD | | 1 | |
| 16 | 539112899 | NUT, 5/16-18, NYLOC | | 1 | |
| 17 | 532196104 | PULLEY | | 1 | |
| 18 | 574841802 | ARM | | 1 | |
| 19 | 532177968 | PULLEY | | 1 | |
| 20 | 539132728 | PULLEY | | 1 | |
| 21 | 575224501 | BUSHING | | 1 | |
| 22 | 539107610 | WHEEL | | 1 | |
| 23 | 539107608 | BOLT | | 1 | |
| 24 | 521996501 | NUT | | 1 | |
| 25 | 575224702 | SHIELD | | 1 | |
| 27 | 539104763 | CLIP | | 1 | |
| 28 | 539108271 | BOLT | | 1 | |
| 29 | 539106504 | WASHER | | 1 | |
| 30 | 539990517 | WASHER | | 1 | |
| 31 | 539976979 | NUT | | 1 | |
| 32 | 539990923 | RHSNB 3/8-16X1-3/4 GR 5 ZD | | 1 | |
| 33 | 539104864 | WASHER | | 1 | |
| 34 | 532178515 | WASHER | | 1 | |
| 35 | 539119124 | NUT | | 1 | |
| 36 | 532195185 | ARM | | 1 | |
| 37 | 539113621 | SB 3/8-16 X 3/8 SKT HD ZD | | 1 | |
| 38 | 539990122 | WASHER | | 1 | |
| 39 | 539200282 | NUT | | 1 | |
| 43 | 539990692 | WASHER | | 1 | |
| 44 | 575320002 | SHIELD | | 1 | |
| 45 | 539990209 | SCREW | | 1 | |
| 46 | 539990187 | WASHER | | 1 | |
| 47 | 539105743 | DECAL | | 1 | |
| 48 | 539113224 | DECAL | | 1 | |
| 49 | 532198785 | LABEL | | 1 | |
| 50 | 532415598 | HOSE COUPLING | | 1 | |
| 51 | 539108461 | SCREW | | 1 | |
| 52 | 539104870 | BOLT | | 1 | |
| 53 | 574845603 | BELT | | 1 | |
| 54 | 575224301 | GUARD | | 1 | |
| 55 | 539115574 | EYE BOLT | | 1 | |
| 56 | 539990585 | NUT | | 1 | |
| 57 | 539106850 | SPRING | | 1 | |
| 58 | 539112050 | BALL BEARING | | 1 | |
| 59 | 575352901 | PULLEY | | 1 | |
| 60 | 532169484 | PIN | | 1 | |
| 61 | 532404851 | ROD | | 1 | |
| 62 | 819131312 | WASHER | | 1 | |
| 63 | 532194208 | PIN | | 1 | |

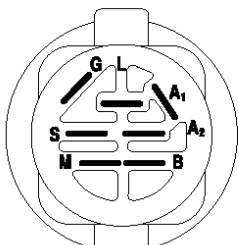


lift-tex_24

| REF. | PART NO. | DESCRIPTION | REMARK | QTY. | KIT |
|------|-----------|-------------|--------|------|-----|
| 2 | 532422027 | SHAFT | | 1 | |
| 3 | 532195230 | LEVER | | 1 | |
| 7 | 532411555 | GRIP | | 1 | |
| 10 | 532196314 | SPRING | | 1 | |
| 41 | 532175994 | NUT | | 1 | |
| 87 | 532194209 | SPRING | | 1 | |
| 88 | 532195304 | SPRING | | 1 | |
| 89 | 819191912 | WASHER | | 1 | |
| 91 | 532403407 | LINK | | 1 | |
| 96 | 532195263 | BUSHING | | 1 | |
| 97 | 817000612 | SCREW | | 1 | |
| 98 | 574822501 | SUSPENSION | | 1 | |
| 114 | 873360700 | NUT | | 1 | |

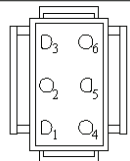


PTO SWITCH
(MATING SIDE)

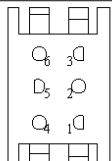


IGNITION SWITCH

| POSITION | CIRCUIT | "MAKE" |
|-------------|---------|--------|
| OFF | M+G+A1 | |
| RUNOVERRIDE | B+A1 | |
| RUN | B+A1 | L+A2 |
| START | B+S+A1 | |



CHASSIS HARNESS
CONNECTOR
(MATING SIDE)

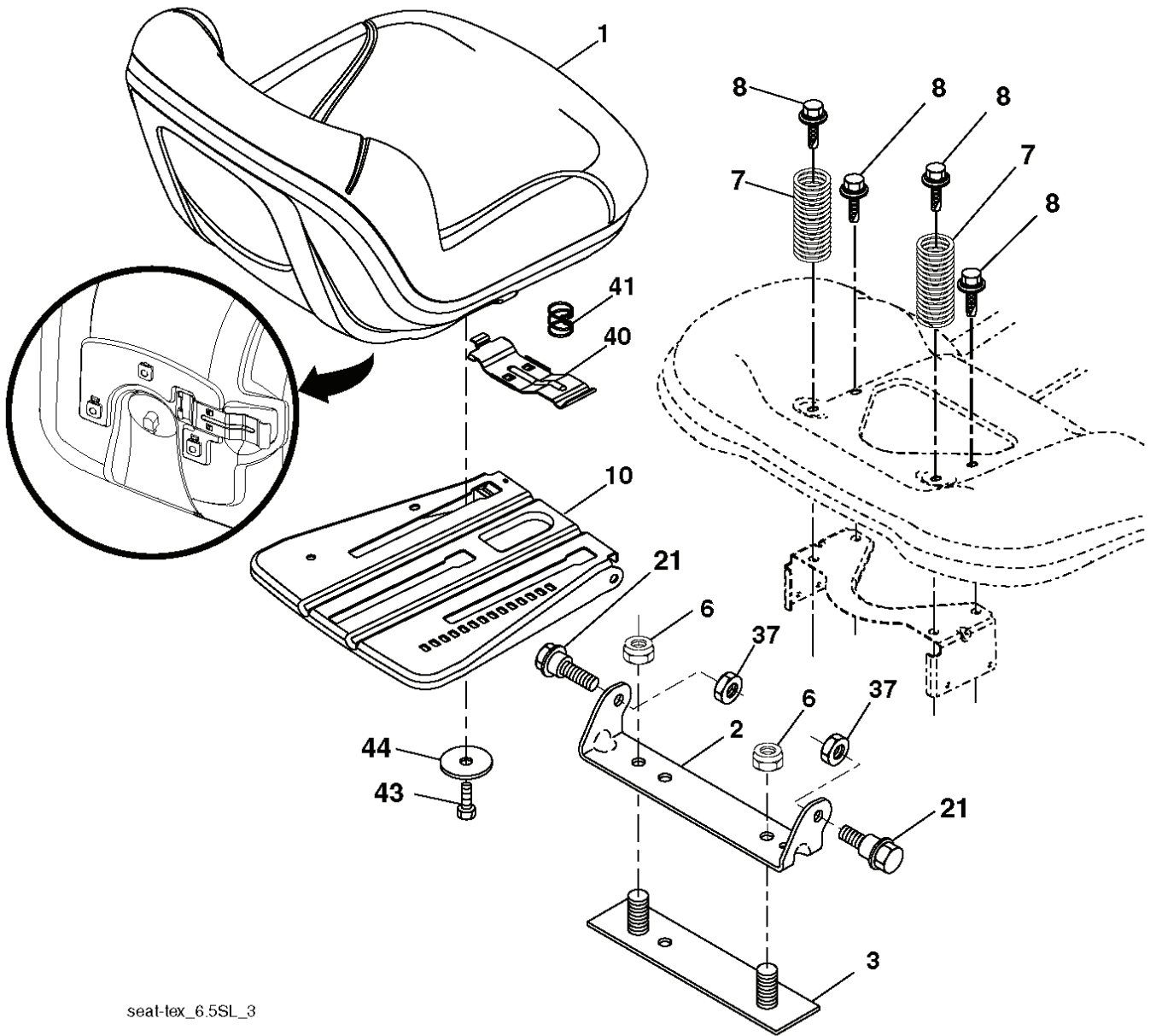


DASH HARNESS
CONNECTOR

WIRING INSULATED CLIPS
NOTE: IF WIRING INSULATED
CLIPS WERE REMOVED FOR
SERVICING OF UNIT, THEY
SHOULD BE RE-INSTALLED TO
PROPERLY SECURE YOUR
WIRING.

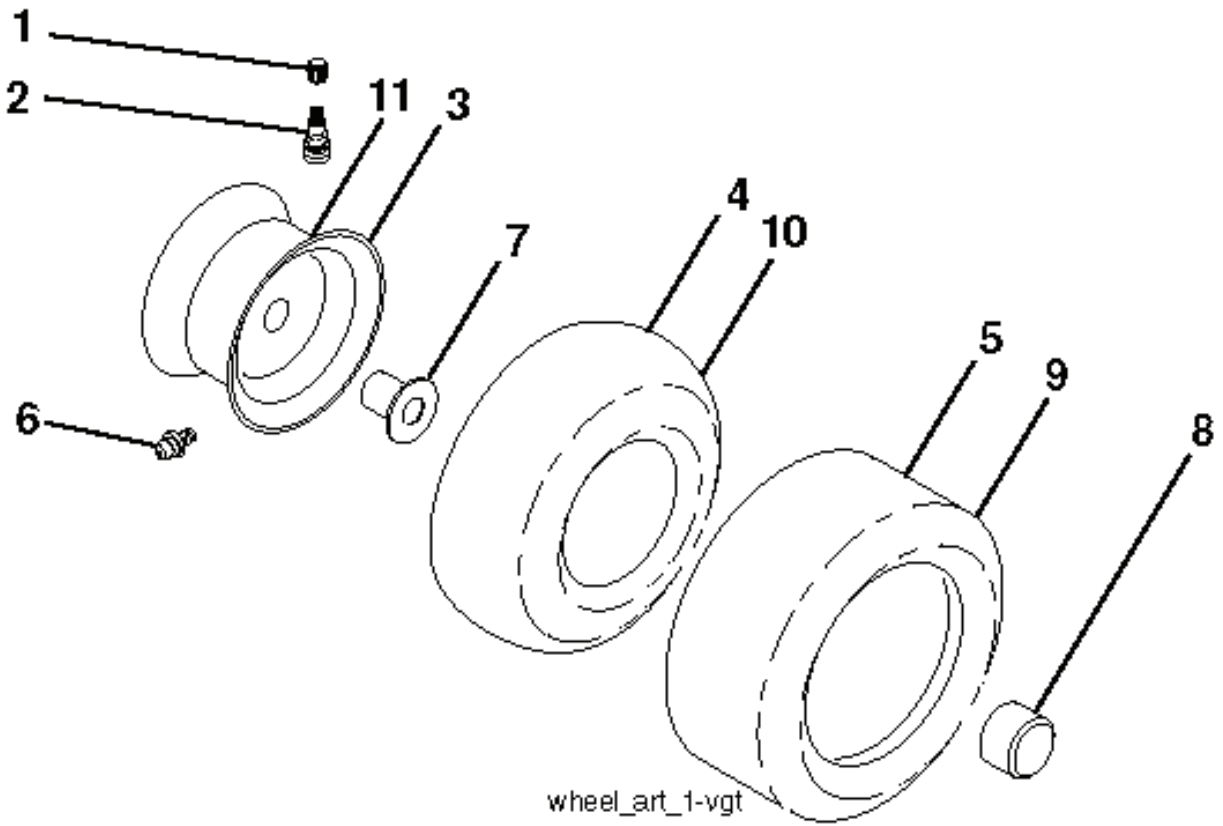
●
NON-REMOVABLE
CONNECTIONS

○
REMOVABLE
CONNECTIONS



seat-lex_6.5SL_3

| REF. | PART NO. | DESCRIPTION | REMARK | QTY. | KIT |
|------|-----------|----------------|--------|------|-----|
| 1 | 532424073 | SEAT W/ARMREST | | 1 | |
| 2 | 532180166 | BRACKET | | 1 | |
| 3 | 532140675 | STRAP | | 1 | |
| 6 | 873800600 | NUT | | 1 | |
| 7 | 532124181 | SPRING | | 1 | |
| 8 | 532171877 | BOLT | | 1 | |
| 10 | 532196977 | PLATE | | 1 | |
| 21 | 532171852 | BOLT | | 1 | |
| 37 | 873800500 | LOCK NUT | | 1 | |
| 40 | 532425919 | HANDLE | | 1 | |
| 41 | 532198200 | SPRING | | 1 | |
| 43 | 874760612 | BOLT | | 1 | |
| 44 | 819133812 | WASHER | | 1 | |



wheel_art_1-vgt

| REF. | PART NO. | DESCRIPTION | REMARK | QTY. | KIT |
|------|-----------|--------------|---------------------------|------|-----|
| 1 | 532059192 | CAP VALVE | | 1 | |
| 2 | 532065139 | NIPPLE | | 1 | |
| 3 | 532181839 | RIM ASSY | Front | 1 | |
| 4 | 532008134 | HOSE | Front (Service Item Only) | 1 | |
| 5 | 532161024 | TIRE FRONT | Front | 1 | |
| 6 | 532124957 | FITTING | (Front Wheel Only) | 1 | |
| 7 | 532124959 | BEARING | (Front Wheel Only) | 1 | |
| 8 | 532175039 | HUB CAP | (Front Wheel Only) | 1 | |
| 9 | 532170453 | TIRE REAR | Rear | 1 | |
| 10 | 532007154 | HOSE | Rear (Service Item Only) | 1 | |
| 11 | 532144510 | WHEEL | Rear | 1 | |
| -- | 532144334 | SEALING FOAM | | 1 | |
| | PART NO. | | REMARK | | KIT |