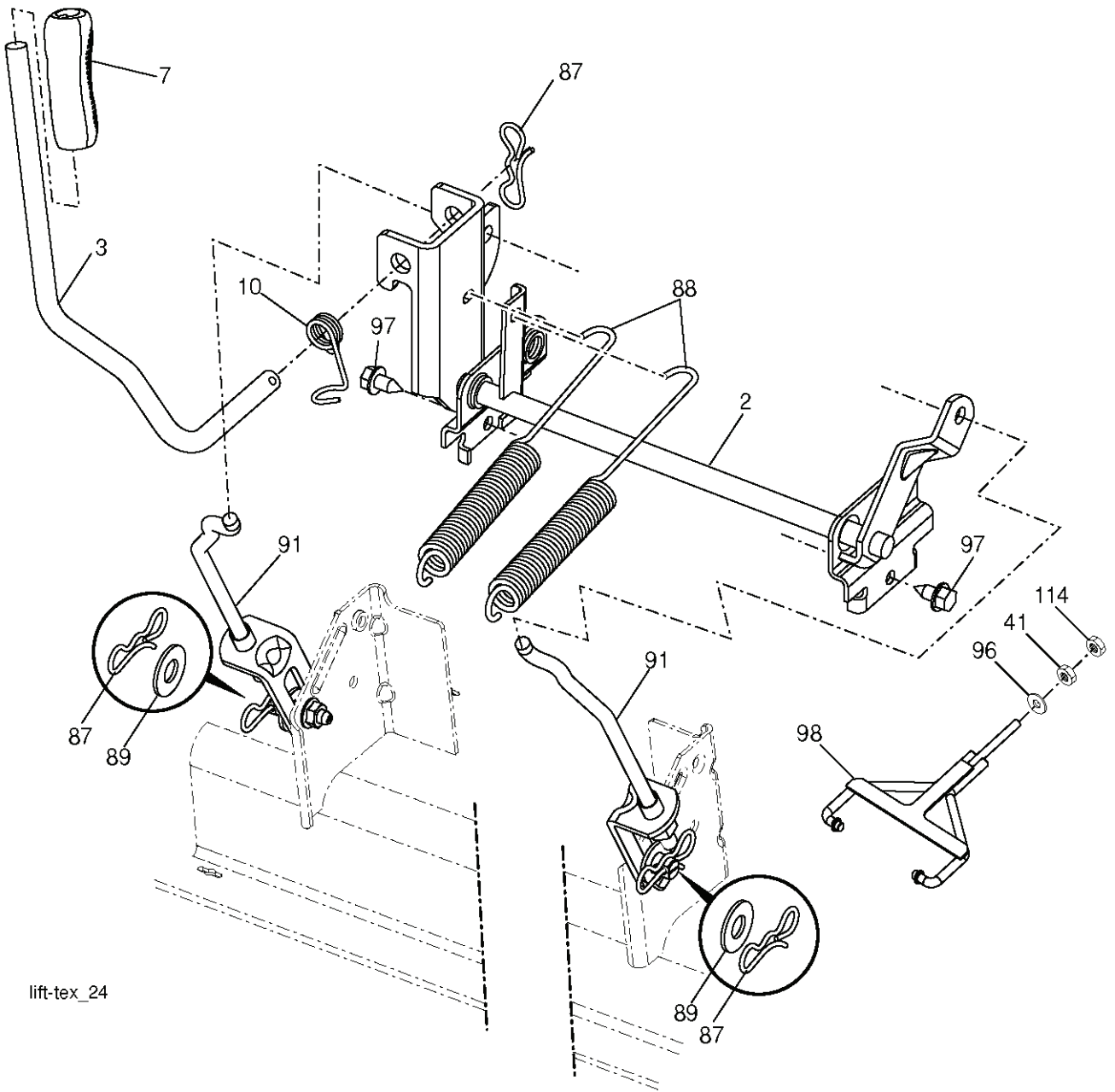


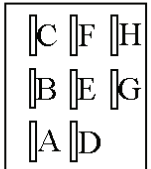
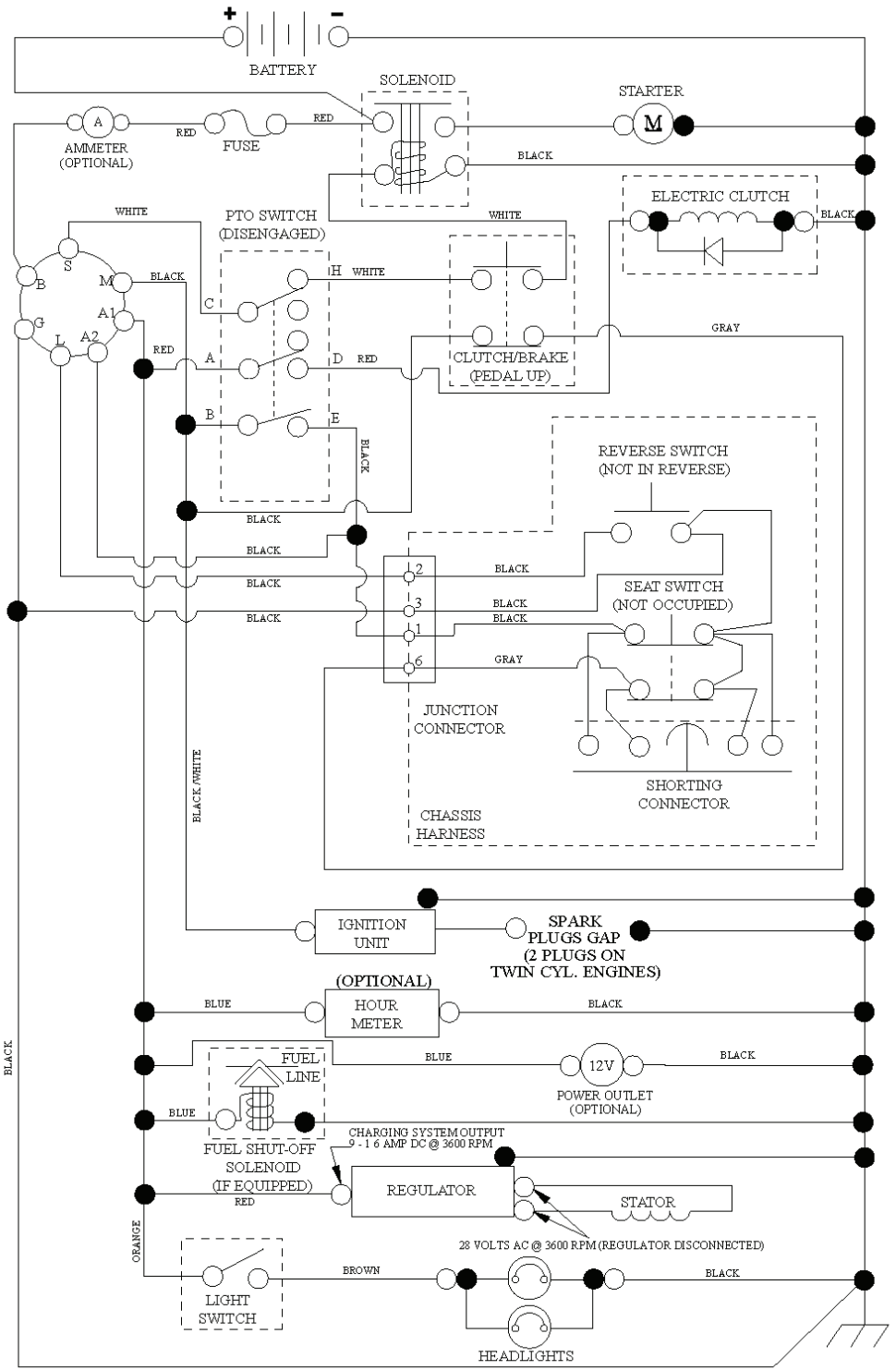
YTH24V42 LS, 96048001301, 2011-11

SPARE PARTS LIST

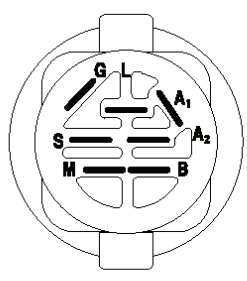


lift-tex_24

REF.	PART NO.	DESCRIPTION	REMARK	QTY.	KIT
2	532422027	SHAFT		1	
3	532195231	LEVER	RH	1	
7	532411555	GRIP		1	
10	532196314	SPRING		1	
41	532175994	NUT		1	
87	532194209	SPRING		1	
88	532410710	SPRING		1	
89	819191912	WASHER		1	
91	532403407	LINK		1	
96	532195263	BUSHING		1	
97	817000612	SCREW		1	
98	574822501	SUSPENSION		1	
114	873360700	NUT		1	

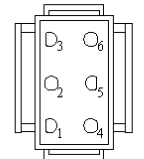


PTO SWITCH (MATING SIDE)

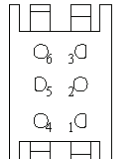


IGNITION SWITCH

POSITION	CIRCUIT	"MAKE"
OFF	M+G+A1	
RUN/OVERRIDE	B+A1	
RUN	B+A1	L+A2
START	B + S + A1	



CHASSIS HARNESS CONNECTOR (MATING SIDE)

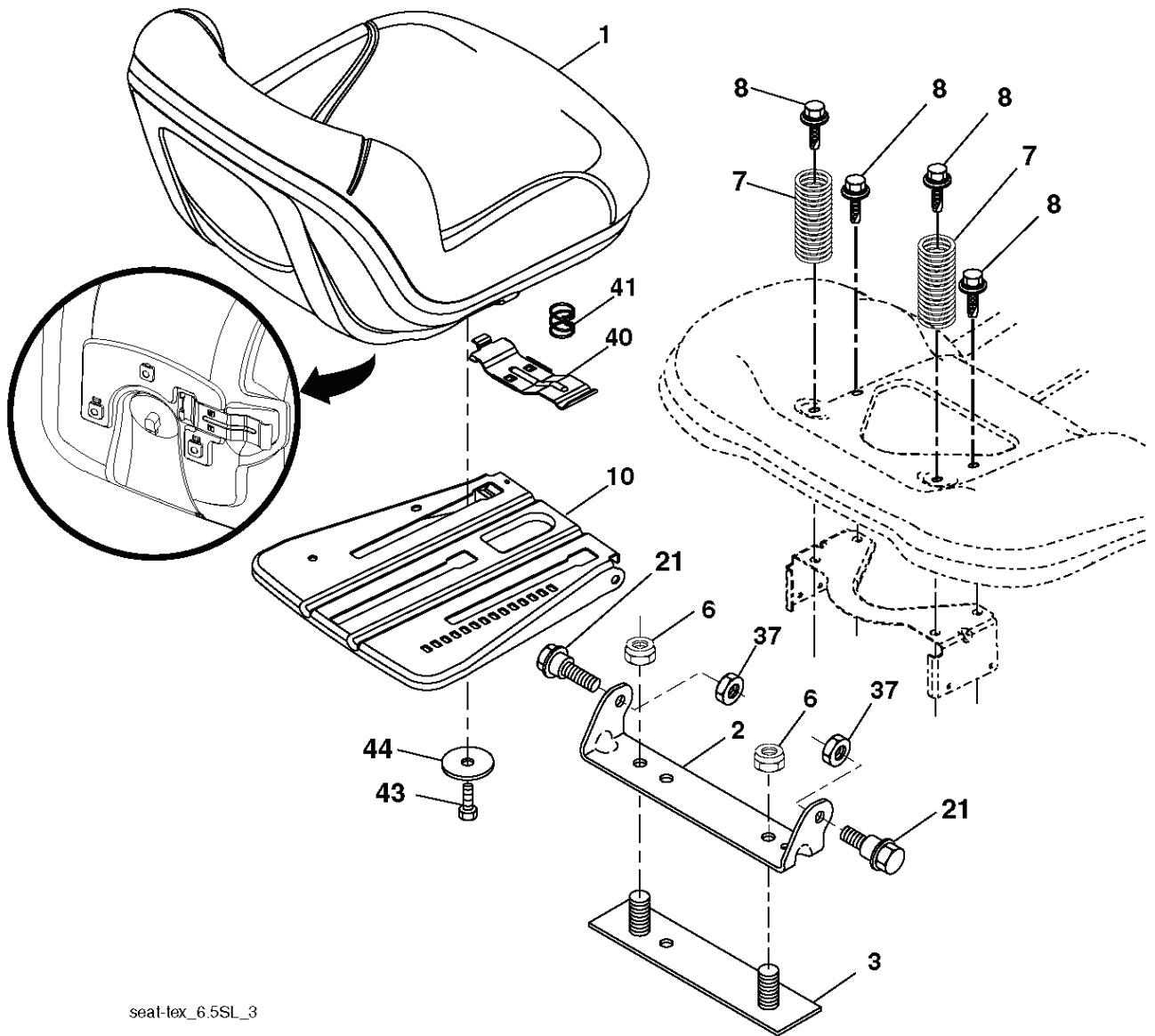


DASH HARNESS CONNECTOR

WIRING INSULATED CLIPS
 NOTE: IF WIRING INSULATED CLIPS WERE REMOVED FOR SERVICING OF UNIT, THEY SHOULD BE RE-INSTALLED TO PROPERLY SECURE YOUR WIRING.

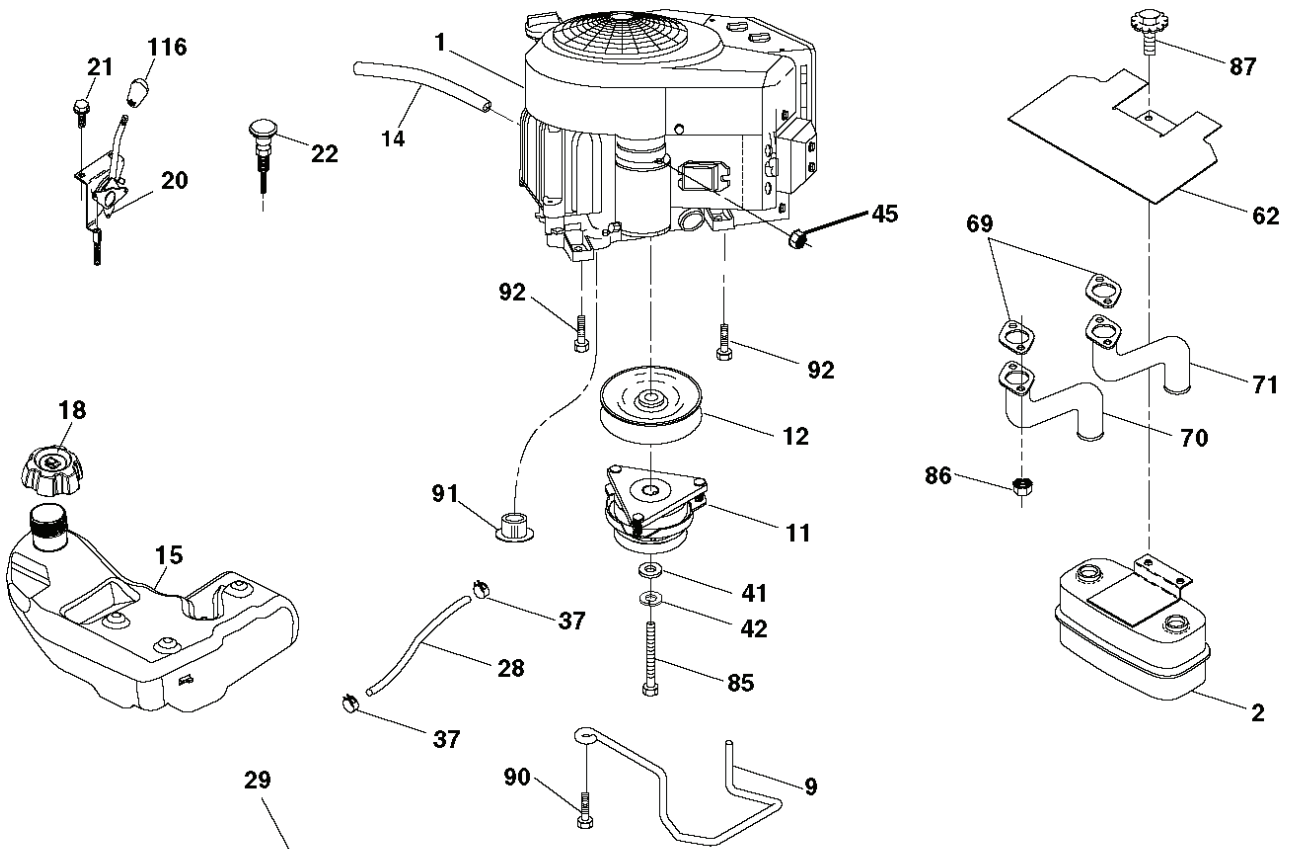
●
 NON-REMOVABLE CONNECTIONS

○
 REMOVABLE CONNECTIONS



seat-tex_6.5SL_3

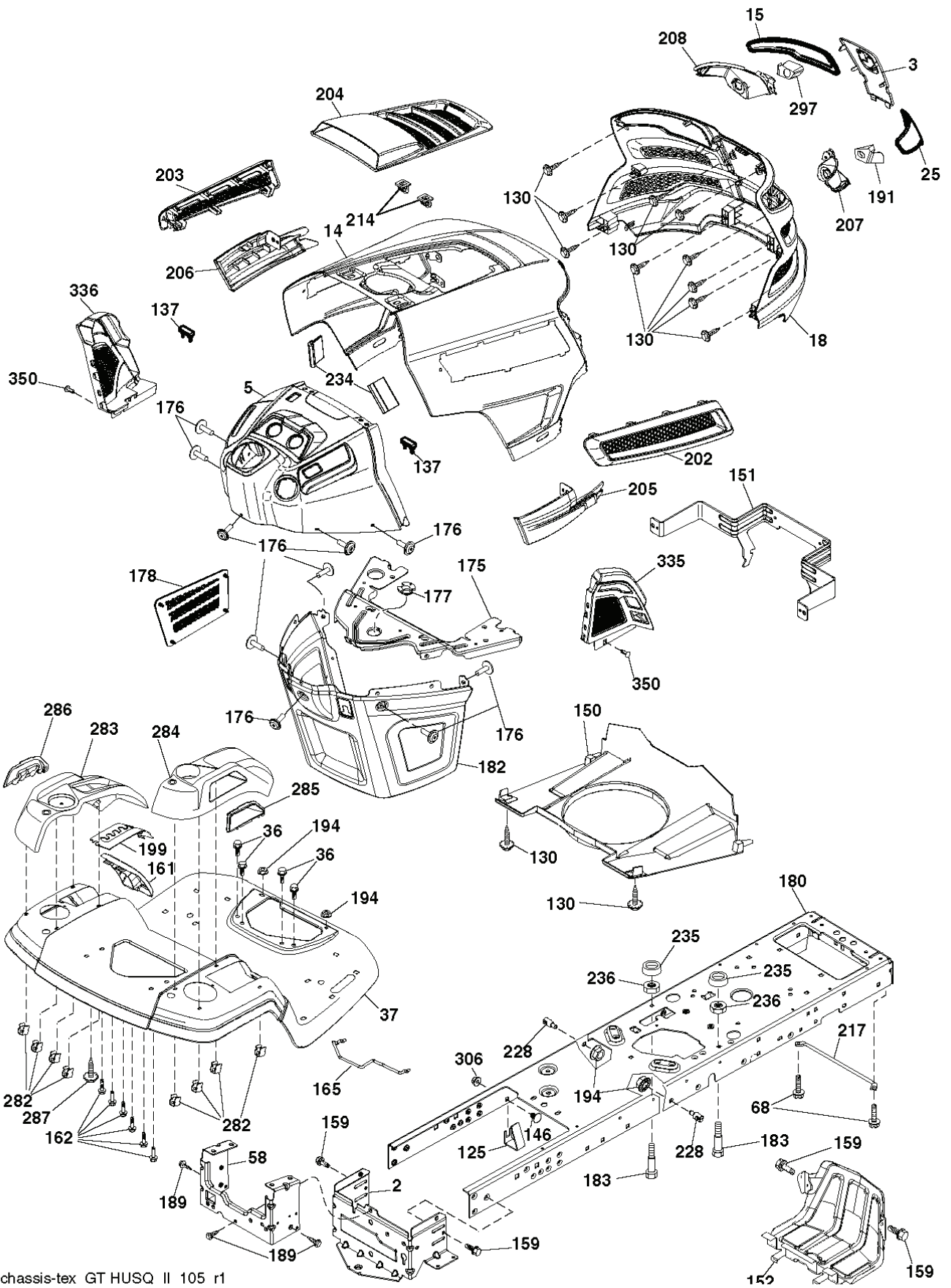
REF.	PART NO.	DESCRIPTION	REMARK	QTY.	KIT
1	532439822	SEAT		1	
2	532180166	BRACKET		1	
3	532140675	STRAP		1	
6	873800600	NUT		1	
7	532124181	SPRING		1	
8	532171877	BOLT		1	
10	532196977	PLATE		1	
21	532171852	BOLT		1	
37	873800500	LOCK NUT		1	
40	532439871	HANDLE		1	
41	532198200	SPRING		1	
43	874760612	BOLT		1	
44	819133812	WASHER		1	



SPARK ARRESTER KIT

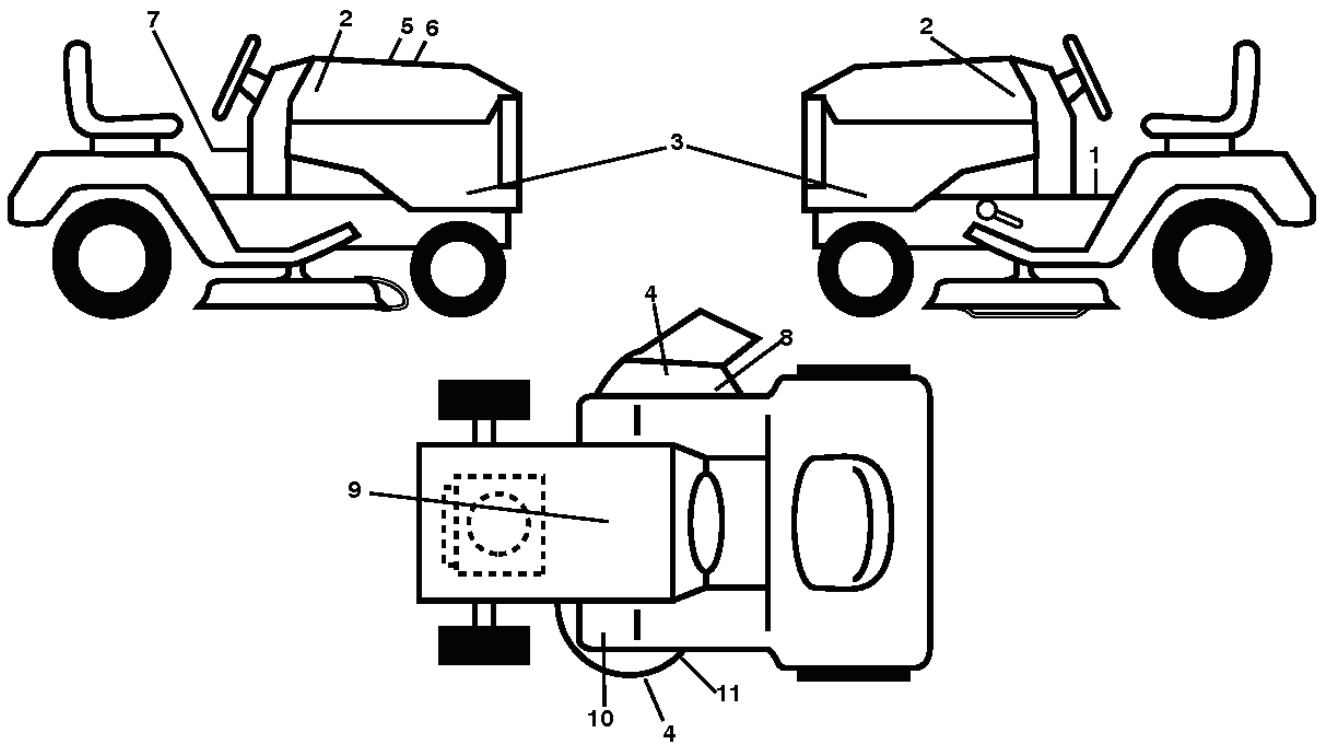
engine-tex_Kawa-2cyl_6_r1

REF.	PART NO.	DESCRIPTION	REMARK	QTY.	KIT
1	000000000	W/O DESCRIPTION	Engine Kawa Model FR730V-AS12(445364)	1	
2	532149723	MUFFLER		1	
9	532194320	BELT GUIDE		1	
11	532400008	CLUTCH		1	
12	532405097	PULLEY		1	
14	532148456	TUBE		1	
15	532438080	FUEL TANK		1	
18	532439208	HUB CAP		1	
20	532424341	CONTROL THROTTLE		1	
21	532416358	SCREW		1	
22	532191596	COMMA*RPL.PAR 532187767428		1	
28	532142158	FULE LINE		1	
29	532137180	SPARK ARRESTER KIT		1	
37	532123487	HOSE CLAMP		1	
41	532126197	WASHER		1	
42	810040700	WASHER		1	
45	873510400	NUT		1	
62	532434017	SHIELD		1	
69	532178151	MUFFLER GASKET		1	
70	532424765	EXHAUST		1	
71	532424766	EXHAUST		1	
85	532173937	BOLT		1	
86	532184362	NUT		1	
87	537171877	BOLT		1	
90	817000616	SCREW		1	
91	532187495	BUSHING		1	
92	817120616	SCREW		1	
116	532132624	PIN RETAINING SCREW		1	

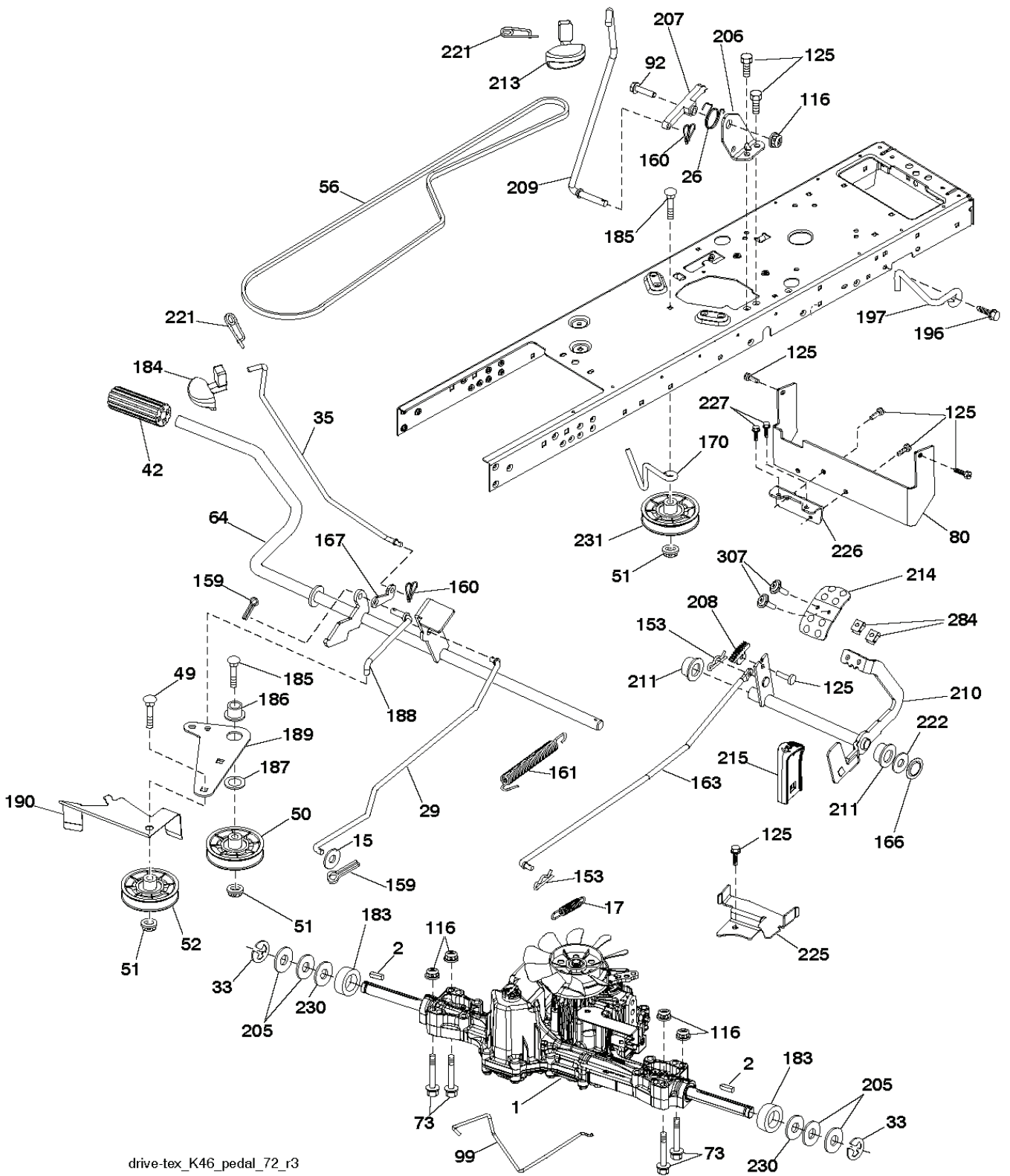


chassis-tex GT HUSQ II 105 r1

REF.	PART NO.	DESCRIPTION	REMARK	QTY.	KIT
2	532412282	PLATE		1	
3	532439752	LOGOTYPE		1	
5	532437470	DASH		1	
14	532441177	HOOD		1	
15	532439733	LENS		1	
18	532440653	GRILLE		1	
25	532443385	LENS		1	
36	817060512	SCREW		1	
37	532441178	FENDER		1	
58	532412280	PLATE		1	
68	817490508	SCREW		1	
125	581684801	CLIP		1	
130	532416358	SCREW		1	
137	532407590	DAMPING PIECE		1	
146	581857901	BOLT		1	
150	532439774	AIR DUCT		1	
151	532436670	BRACKET		1	
152	532439870	SHIELD		1	
159	817000612	SCREW		1	
161	532439781	FUEL		1	
162	532142432	SCREW		1	
165	532194330	SUPPORT		1	
175	532196304	SUPPORT		1	
176	532400776	SCREW		1	
177	532195227	BUSHING		1	
178	532199782	NET		1	
180	532445559	CHASSIS		1	
182	532406859	DASH		1	
183	874520520	BOLT		1	
189	817000512	SCREW		1	
191	532437455	INSERT		1	
194	873900500	NUT		1	
199	532413485	PLATE		1	
202	532439728	COVER	RH	1	
203	532439727	COVER	LH	1	
204	532435714	COVER		1	
205	532439730	SKIRT		1	
206	532439729	SKIRT		1	
207	532439734	CUP	RH	1	
208	532439735	CUP	LH	1	
214	532199145	CLIP		1	
217	532409167	ROD		1	
228	532195161	STUD		1	
234	532404742	DAMPING PIECE		1	
235	532406129	SPACER		1	
236	873930500	NUT		1	
282	532414110	CLIP		1	
283	532439151	CONSOLE		1	
284	532439150	CONSOLE		1	
285	532416315	CONSOLE	RH	1	
286	532416317	CONSOLE	LH	1	
287	817600406	SCREW		1	
297	532437456	INSERT		1	
306	873900600	NUT		1	
335	532448204	COVER		1	
336	532445309	COVER		1	
350	532445143	CLIP		1	
--	532424918	GUARD KIT ASSEMBLY-BRUSH		1	



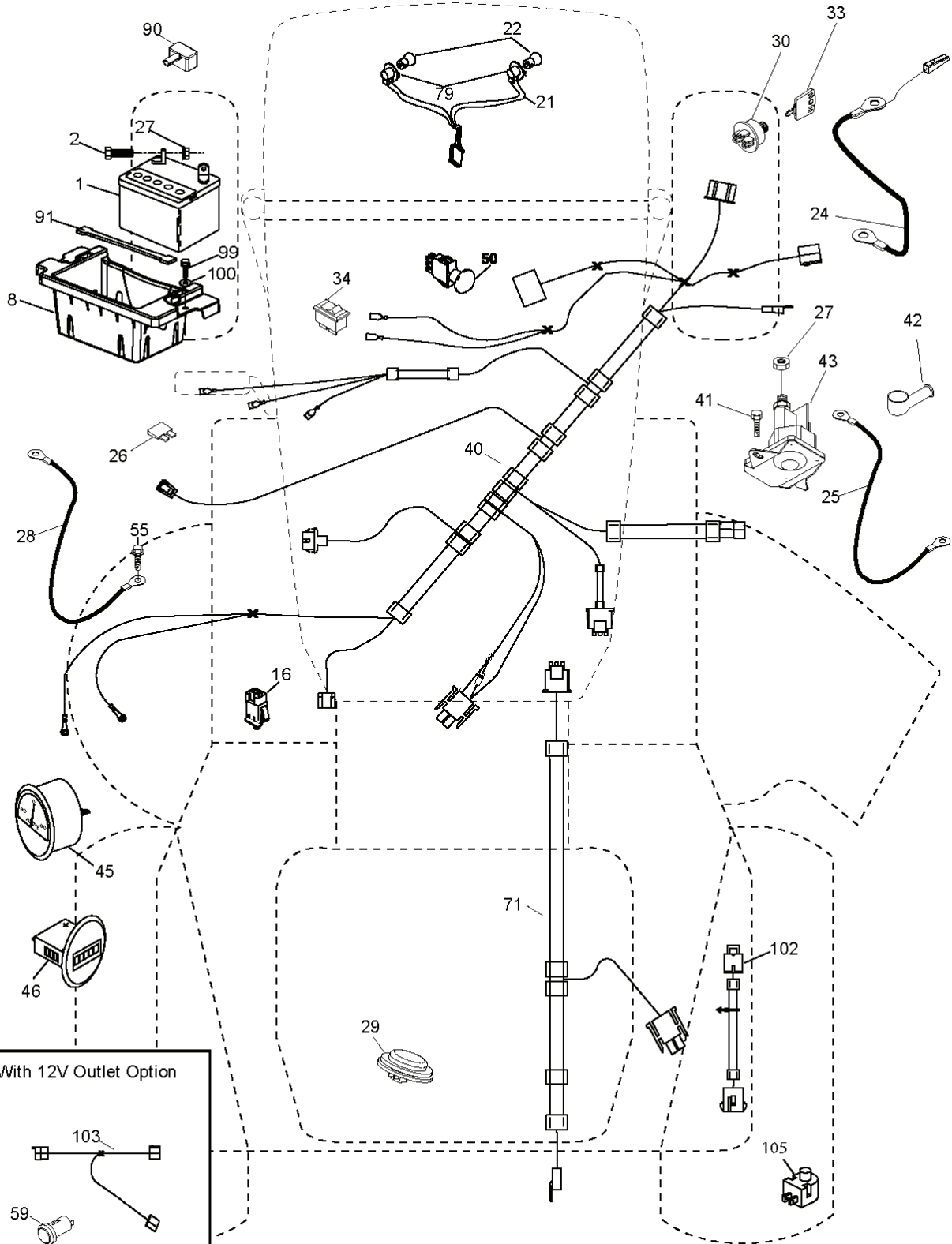
REF.	PART NO.	DESCRIPTION	REMARK	QTY.	KIT
1	532411658	DECAL		1	
2	581627301	DECAL		1	
3	532440426	DECAL		1	
4	581724301	DECAL		1	
5	532423829	DECAL		1	
6	532446805	DECAL		1	
7	532435286	DECAL		1	
8	539113224	DECAL		1	
9	532145005	DECAL		1	
10	532418600	DECAL		1	
11	532198785	LABEL		1	
	532166960	DECAL		1	
--	532439681	PLATE	LH	1	
--	532439682	PAD	RH	1	



drive-tex_K46_pedal_72_r3

REF.	PART NO.	DESCRIPTION	REMARK	QTY.	KIT
1	000000000	W/O DESCRIPTION	TRANSAXLE TUFFTORQ K46CR(426121)	1	
2	532123583	KEY		1	
15	819131316	WASHER		1	
17	532413678	SRPING.BRAKE.K46.GREEN*SUBS/2*		1	
26	532199679	SPRING		1	
29	532403806	ROD		1	
33	812000001	RETAINER RING		1	
35	583864501	ROD		1	
42	532124872	PEDAL RUBBER		1	
49	872110614	BOLT		1	
50	532194327	PULLEY		1	
51	873900600	NUT		1	
52	532194326	PULLEY		1	
56	532130969	BELT		1	
64	532197865	SHAFT		1	
73	874490540	BOLT		1	
80	532440619	STRAP		1	
92	874760520	BOLT		1	
99	532415742	ROD		1	
116	873900500	NUT		1	
125	817000512	SCREW		1	
153	532124788	RETAINER RING		1	
159	876020412	SPLIT PIN		1	
160	532169484	PIN		1	
161	532105709	SPRING		1	
163	532448275	CONTROL		1	
166	532429164	NUT		1	
167	532405257	LATCH		1	
170	532413430	BELT GUIDE		1	
183	532137057	SPACER		1	
184	532441455	HANDLE		1	
185	872110622	BOLT		1	
186	532194321	SPACER		1	
187	819133210	WASHER		1	
188	532194323	LINK		1	
189	532194317	PLATE		1	
190	532194318	BELT GUIDE		1	
196	817000616	SCREW		1	
197	532195804	BRACKET		1	
205	532121748	WASHER		1	
206	532197867	BRACKET		1	
207	532197868	LATCH		1	
208	532197869	SUPPORT		1	
209	532199592	ROD		1	
210	532400980	PEDAL ARM		1	
211	532120183	BEARING		1	
213	532403119	CONTROL		1	
214	532416863	PEDAL.FORWARD.HUSQVARNA.DEALER		1	
215	532401723	PEDAL		1	
221	532403187	SPRING		1	
222	879212010	WASHER		1	
225	532403319	BELT GUIDE		1	
226	532401564	BRACKET		1	
227	817490512	SCREW		1	
230	532188967	WASHER		1	
231	532407287	PULLEY		1	
284	532417693	NUT		1	
307	874180412	SCREW		1	

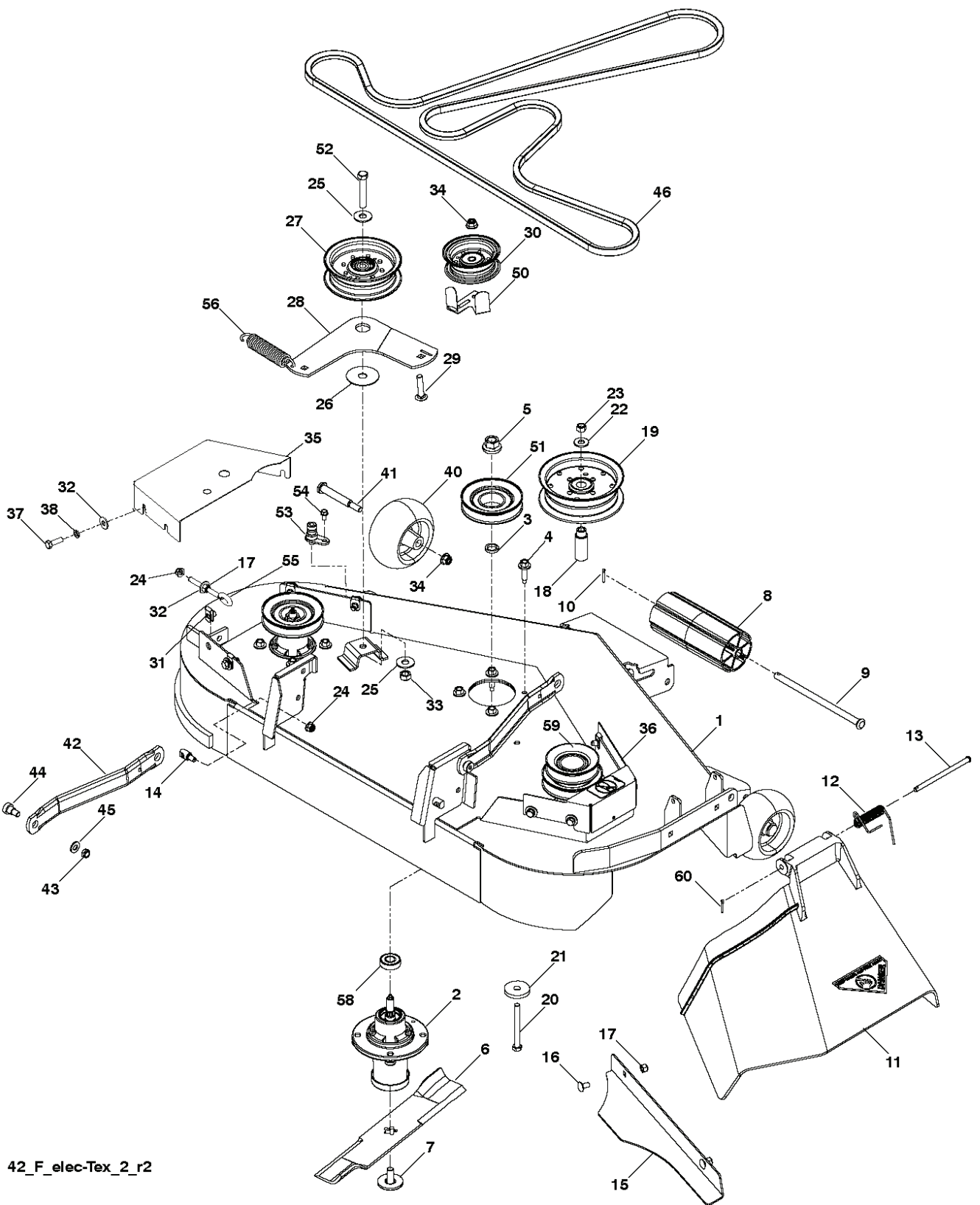
T15S



With 12V Outlet Option

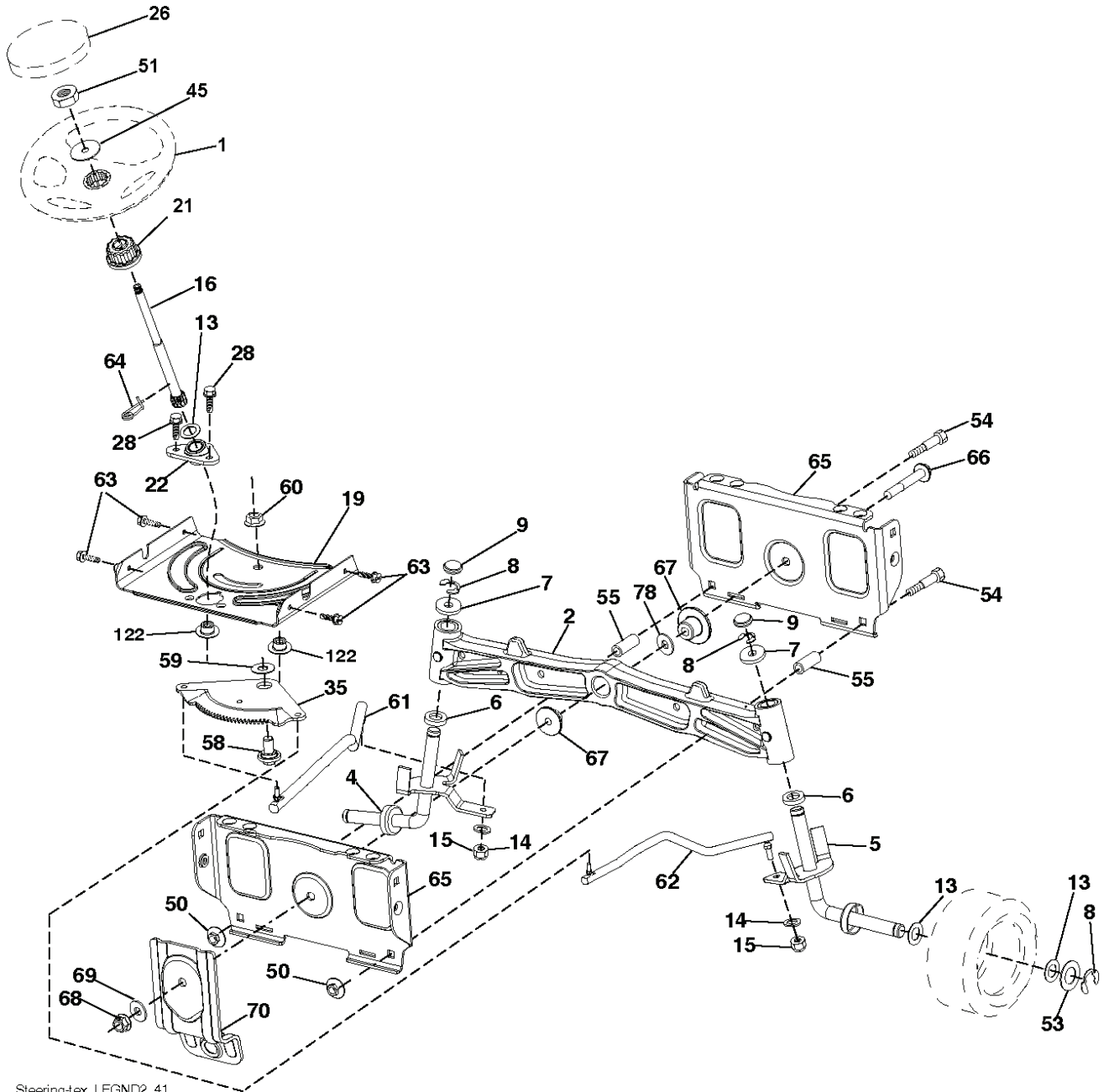
This inset diagram shows the optional 12V outlet configuration. It includes a fuse (103) and a horn (59) connected to the main harness. The horn (59) is shown as a cylindrical component with a mounting bracket.

REF.	PART NO.	DESCRIPTION	REMARK	QTY.	KIT
1	532163465	BATTERY		1	
2	874760412	BOLT		1	
8	532186491	BOX		1	
16	532176138	MICRO SWITCH		1	
21	532400252	HARNESS		1	
22	532004152	BULB		1	
24	532400253	CABLE		1	
25	532412895	CABLE.STARTER.6G.BL/RE*SUBS/2*		1	
26	532175158	FUSE		1	
27	873510400	NUT		1	
28	532145491	CABLE		1	
29	532401545	SWITCH		1	
30	532193350	IGNITION MODULE		1	
33	532411935	KEY		1	
34	532110712	SWITCH		1	
40	532402167	CABLE		1	
41	817720408	SCREW		1	
42	532131563	COVER		1	
43	532192507	SOLENOID		1	
45	532425270	GAUGE		1	
46	532425271	GAUGE		1	
50	532174651	SWITCH		1	
55	817060512	SCREW		1	
59	532400303	OUTLET-12 VOLT		1	
71	532194276	CABLE ASSY		1	
79	532175242	HOLDER		1	
90	532435395	TERMINAL COVER		1	
91	532190270	STRAP BATTERY MOUNT FRO		1	
99	817670412	SCREW		1	
100	819091416	WASHER		1	
102	532404454	CABLE		1	
103	532421747	HARNESS		1	
105	532407568	SWITCH		1	

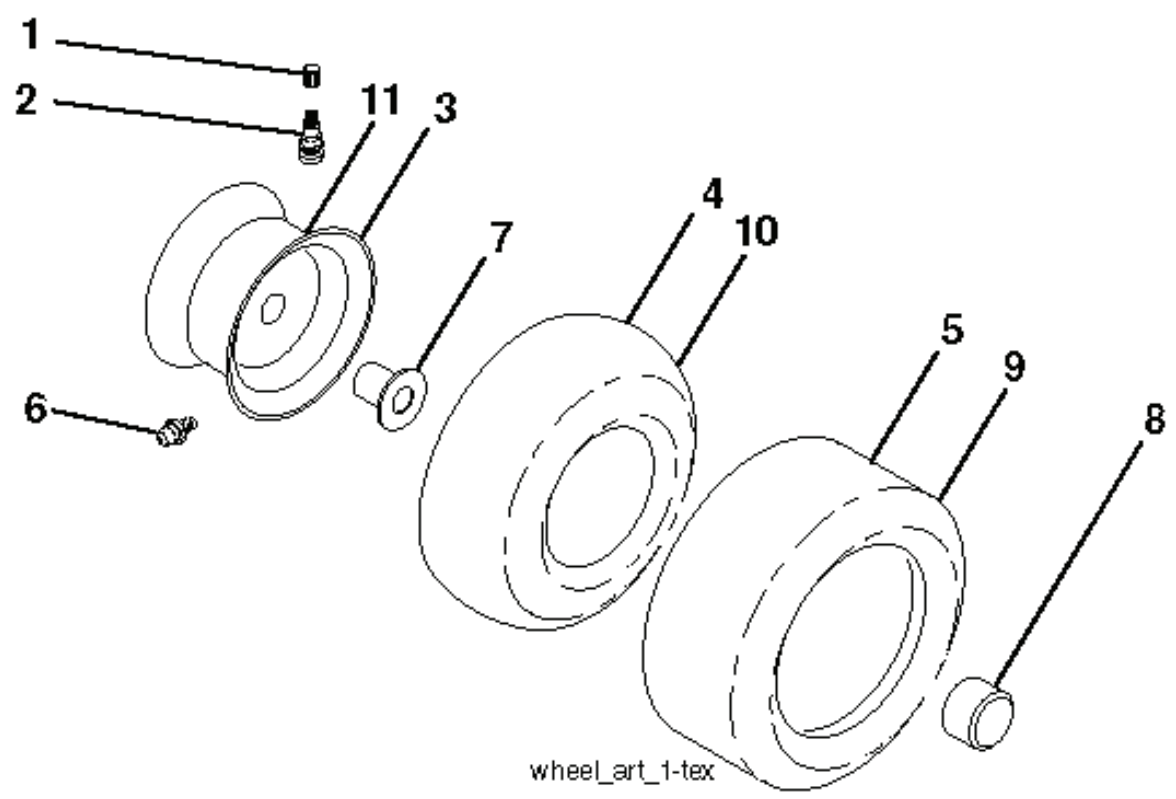


42_F_elec-TeX_2_r2

REF.	PART NO.	DESCRIPTION	REMARK	QTY.	KIT
1	574778902	DECK		1	
2	539112170	HOUSING ASSY		1	
3	532187690	WASHER		1	
4	532173984	SCREW		1	
5	532400234	NUT		1	
6	539112078	BLADE		1	
7	532193003	SCREW		1	
8	532176066	ROLLER		1	
9	532179127	ROD ROLLER NOSE		1	
10	532194208	PIN		1	
11	539110731	CHUTE		1	
12	539110735	SPRING		1	
13	539110736	CLEVIS PIN		1	
14	532195161	STUD		1	
15	539112412	PLATE		1	
16	539990799	BOLT		1	
17	539990717	NUT		1	
18	575224501	BUSHING		1	
19	539132728	PULLEY		1	
20	539108271	BOLT		1	
21	539106504	WASHER		1	
22	539990517	WASHER		1	
23	539976979	NUT		1	
24	539112899	NUT, 5/16-18, NYLOC		1	
25	539104864	WASHER		1	
26	532178515	WASHER		1	
27	532196104	PULLEY		1	
28	574827101	ARM		1	
29	539990923	RHSNB 3/8-16X1-3/4 GR 5 ZD		1	
30	532177968	PULLEY		1	
31	539104763	CLIP		1	
32	539990692	WASHER		1	
33	539132019	NUT		1	
34	521996501	NUT		1	
35	575224702	SHIELD		1	
36	575967102	SHIELD		1	
37	539990209	SCREW		1	
38	539990187	WASHER		1	
40	539107610	WHEEL		1	
41	532193406	BOLT		1	
42	532195185	ARM		1	
43	539200282	NUT		1	
44	539113621	SB 3/8-16 X 3/8 SKT HD ZD		1	
45	539990122	WASHER		1	
46	574845601	BELT		1	
50	575224301	GUARD		1	
51	575224401	PULLEY		1	
52	539104870	BOLT		1	
53	532415598	HOSE COUPLING		1	
54	539108461	SCREW		1	
55	539115574	EYE BOLT		1	
56	539106850	SPRING		1	
58	539112050	BALL BEARING		1	
59	575416201	PULLEY		1	
60	532169484	PIN		1	
--	532445357	CUTTING DECK		1	



REF.	PART NO.	DESCRIPTION	REMARK	QTY.	KIT
1	532439740	STEERING WHEEL		1	
2	532195968	SHAFT		1	
4	532403089	SPINDLE SHAFT	LH	1	
5	532403090	SPINDLE SHAFT	RH	1	
6	532124931	WASHER		1	
7	532121748	WASHER		1	
8	812000029	RETAINER RING		1	
9	532121232	HUB CAP		1	
13	532121749	WASHER		1	
14	810040600	WASHER		1	
15	873540600	NUT		1	
16	532408219	SHAFT		1	
19	532194729	PLATE		1	
21	532186737	ADAPTER		1	
22	532420537	SUPPORT		1	
26	532439743	HUB CAP		1	
28	817000612	SCREW		1	
35	532194732	PLATE		1	
45	819183812	WASHER		1	
50	873900600	NUT		1	
51	873940800	NUT		1	
53	532188967	WASHER		1	
54	874760636	BOLT		1	
55	532414736	SPACER		1	
58	532194747	BOLT		1	
59	532194748	WASHER		1	
60	873971000	NUT		1	
61	532194740	LINK		1	
62	532194741	LINK		1	
63	817000512	SCREW		1	
64	532199849	SPRING RETAINER		1	
65	532194734	BRACKET		1	
66	871020748	BOLT		1	
67	532194737	BUSHING		1	
68	873900700	NUT		1	
69	532199162	WASHER		1	
70	532196197	BRACKET		1	
78	532057079	WASHER		1	
122	532444962	CAP		1	



wheel_art_1-tex

REF.	PART NO.	DESCRIPTION	REMARK	QTY.	KIT
1	532059192	CAP VALVE		1	
2	532065139	NIPPLE		1	
3	532181839	RIM ASSY	FRONT	1	
4	532008134	HOSE	(Service Item Only)	1	
5	532161024	TIRE FRONT	FRONT	1	
6	532124957	FITTING	(Front Wheel Only)	1	
7	532124959	BEARING	(Front Wheel Only)	1	
8	532175039	HUB CAP		1	
9	532170456	TIRE	Rear 20" x 10"-8"	1	
10	532124926	HOSE	(Service Item Only)	1	
11	532138337	RIM SPROCKET	Rear 8"	1	
	532144334	SEALING FOAM		1	
	PART NO.		REMARK		KIT