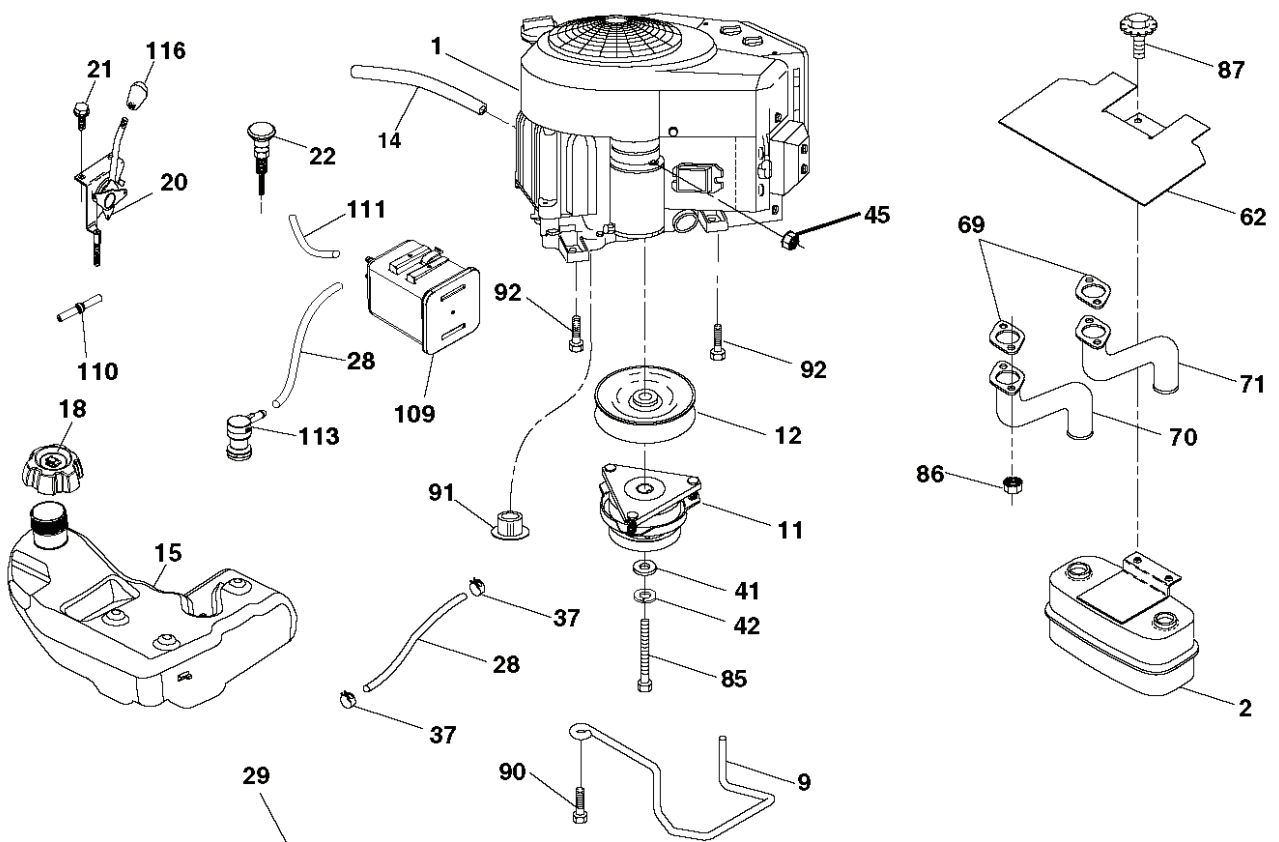


YTH24V42 LS, 96043012800, 2010 - 11

---

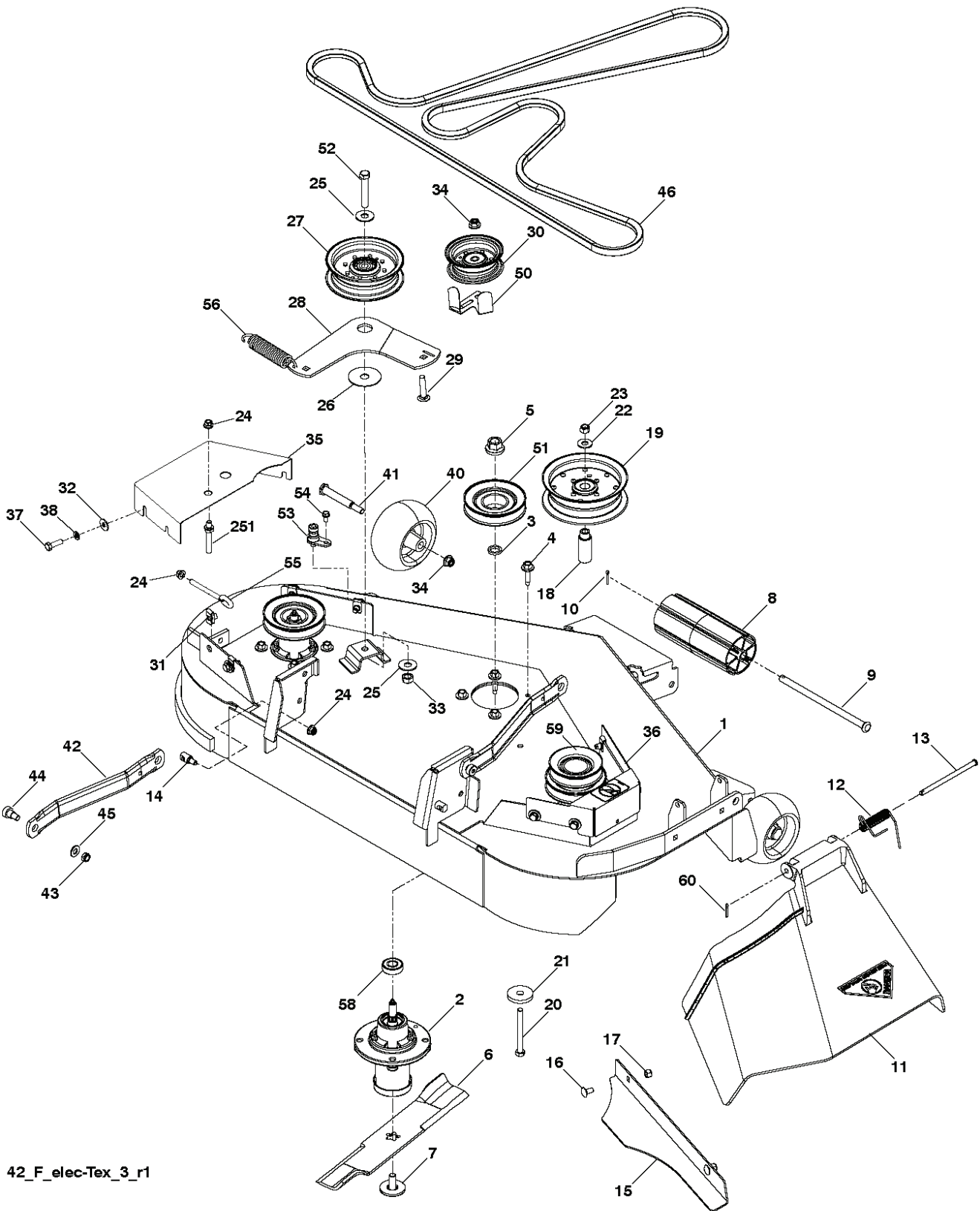
# **SPARE PARTS LIST**



**SPARK ARRESTER KIT**

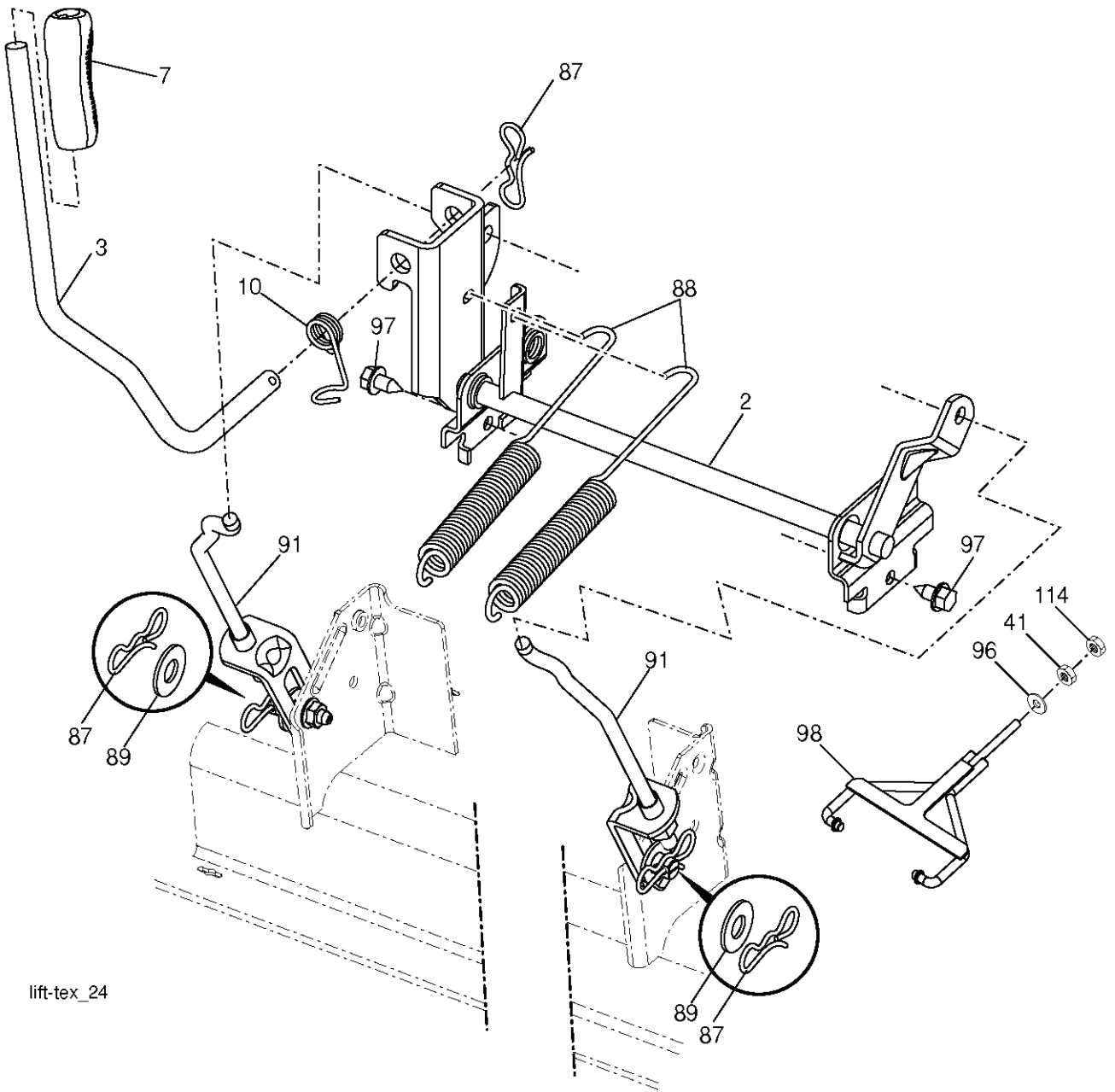
engine-tex\_Kawa-2cyl\_6\_r1

| REF. | PART NO.  | DESCRIPTION                | REMARK                        | QTY. | KIT |
|------|-----------|----------------------------|-------------------------------|------|-----|
| 1    | 000000000 | W/O DESCRIPTION            | Engine Kawa Model FR691V-AS15 | 1    |     |
| 2    | 532149723 | MUFFLER                    |                               | 1    |     |
| 9    | 532194320 | BELT GUIDE                 |                               | 1    |     |
| 11   | 532400008 | CLUTCH                     |                               | 1    |     |
| 12   | 532405097 | PULLEY                     |                               | 1    |     |
| 14   | 532148456 | TUBE                       |                               | 1    |     |
| 15   | 532414151 | TANK FUEL CARB             |                               | 1    |     |
| 18   | 532430213 | FUEL CAP ASSY              |                               | 1    |     |
| 20   | 532424341 | CONTROL THROTTLE           |                               | 1    |     |
| 21   | 532416358 | SCREW                      |                               | 1    |     |
| 22   | 532191596 | COMMA*RPL.PAR 532187767428 |                               | 1    |     |
| 28   | 532401135 | LINE.FUEL.64*REAR.EMIS     |                               | 1    |     |
| 29   | 532137180 | SPARK ARRESTER KIT         |                               | 1    |     |
| 37   | 532123487 | HOSE CLAMP                 |                               | 1    |     |
| 41   | 532126197 | WASHER                     |                               | 1    |     |
| 42   | 810040700 | WASHER                     |                               | 1    |     |
| 45   | 873510400 | NUT                        |                               | 1    |     |
| 62   | 532434017 | SHIELD                     |                               | 1    |     |
| 69   | 532178151 | MUFFLER GASKET             |                               | 1    |     |
| 70   | 532424765 | EXHAUST                    |                               | 1    |     |
| 71   | 532424766 | EXHAUST                    |                               | 1    |     |
| 85   | 532173937 | BOLT                       |                               | 1    |     |
| 86   | 532184362 | NUT                        |                               | 1    |     |
| 87   | 537171877 | BOLT                       |                               | 1    |     |
| 90   | 817000616 | SCREW                      |                               | 1    |     |
| 91   | 532187495 | BUSHING                    |                               | 1    |     |
| 92   | 817120616 | SCREW                      |                               | 1    |     |
| 109  | 532414114 | FILTER                     |                               | 1    |     |
| 110  | 532414118 | VALVE ASSY                 |                               | 1    |     |
| 111  | 532414119 | PURGE LINE CARB            |                               | 1    |     |
| 113  | 532414127 | VALVE                      |                               | 1    |     |
| 116  | 539132624 | KNOB                       |                               | 1    |     |



42\_F\_elec-Tex\_3\_r1

| REF. | PART NO.  | DESCRIPTION                | REMARK | QTY. | KIT |
|------|-----------|----------------------------|--------|------|-----|
| 1    | 574778902 | DECK                       |        | 1    |     |
| 2    | 539112170 | HOUSING ASSY               |        | 1    |     |
| 3    | 539107520 | WASHER                     |        | 1    |     |
| 4    | 539107630 | SCREW                      |        | 1    |     |
| 5    | 539107590 | NUT                        |        | 1    |     |
| 6    | 539112078 | BLADE                      |        | 1    |     |
| 7    | 532193003 | SCREW                      |        | 1    |     |
| 8    | 532176066 | ROLLER                     |        | 1    |     |
| 9    | 532179127 | ROD ROLLER NOSE            |        | 1    |     |
| 10   | 532194208 | PIN                        |        | 1    |     |
| 11   | 539110731 | CHUTE                      |        | 1    |     |
| 12   | 539110735 | SPRING                     |        | 1    |     |
| 13   | 539110736 | CLEVIS PIN                 |        | 1    |     |
| 14   | 532195161 | STUD                       |        | 1    |     |
| 15   | 539112412 | PLATE                      |        | 1    |     |
| 16   | 539990799 | BOLT                       |        | 1    |     |
| 17   | 539990717 | NUT                        |        | 1    |     |
| 18   | 575224501 | BUSHING                    |        | 1    |     |
| 19   | 539132728 | PULLEY                     |        | 1    |     |
| 20   | 539108271 | BOLT                       |        | 1    |     |
| 21   | 539106504 | WASHER                     |        | 1    |     |
| 22   | 539990517 | WASHER                     |        | 1    |     |
| 23   | 539976979 | NUT                        |        | 1    |     |
| 24   | 539112899 | NUT, 5/16-18, NYLOC        |        | 1    |     |
| 25   | 539104864 | WASHER                     |        | 1    |     |
| 26   | 532178515 | WASHER                     |        | 1    |     |
| 27   | 532196104 | PULLEY                     |        | 1    |     |
| 28   | 574827101 | ARM                        |        | 1    |     |
| 29   | 539990923 | RHSNB 3/8-16X1-3/4 GR 5 ZD |        | 1    |     |
| 30   | 532177968 | PULLEY                     |        | 1    |     |
| 31   | 539104763 | CLIP                       |        | 1    |     |
| 32   | 539990692 | WASHER                     |        | 1    |     |
| 33   | 539132019 | NUT                        |        | 1    |     |
| 34   | 521996501 | NUT                        |        | 1    |     |
| 35   | 575224702 | SHIELD                     |        | 1    |     |
| 36   | 575967102 | SHIELD                     |        | 1    |     |
| 37   | 539990209 | SCREW                      |        | 1    |     |
| 38   | 539990187 | WASHER                     |        | 1    |     |
| 40   | 539107610 | WHEEL                      |        | 1    |     |
| 41   | 539107608 | BOLT                       |        | 1    |     |
| 42   | 532195185 | ARM                        |        | 1    |     |
| 43   | 539200282 | NUT                        |        | 1    |     |
| 44   | 539113621 | SB 3/8-16 X 3/8 SKT HD ZD  |        | 1    |     |
| 45   | 539990122 | WASHER                     |        | 1    |     |
| 46   | 574845601 | BELT                       |        | 1    |     |
| 50   | 575224301 | GUARD                      |        | 1    |     |
| 51   | 575224401 | PULLEY                     |        | 1    |     |
| 52   | 539104870 | BOLT                       |        | 1    |     |
| 53   | 532415598 | HOSE COUPLING              |        | 1    |     |
| 54   | 539108461 | SCREW                      |        | 1    |     |
| 55   | 539115574 | EYE BOLT                   |        | 1    |     |
| 56   | 539106850 | SPRING                     |        | 1    |     |
| 58   | 539112050 | BALL BEARING               |        | 1    |     |
| 59   | 575416201 | PULLEY                     |        | 1    |     |
| 60   | 532169484 | PIN                        |        | 1    |     |
| 251  | 532123405 | BELT GUIDE                 |        | 1    |     |
| --   | 532445357 | CUTTING DECK               |        | 1    |     |

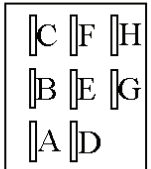
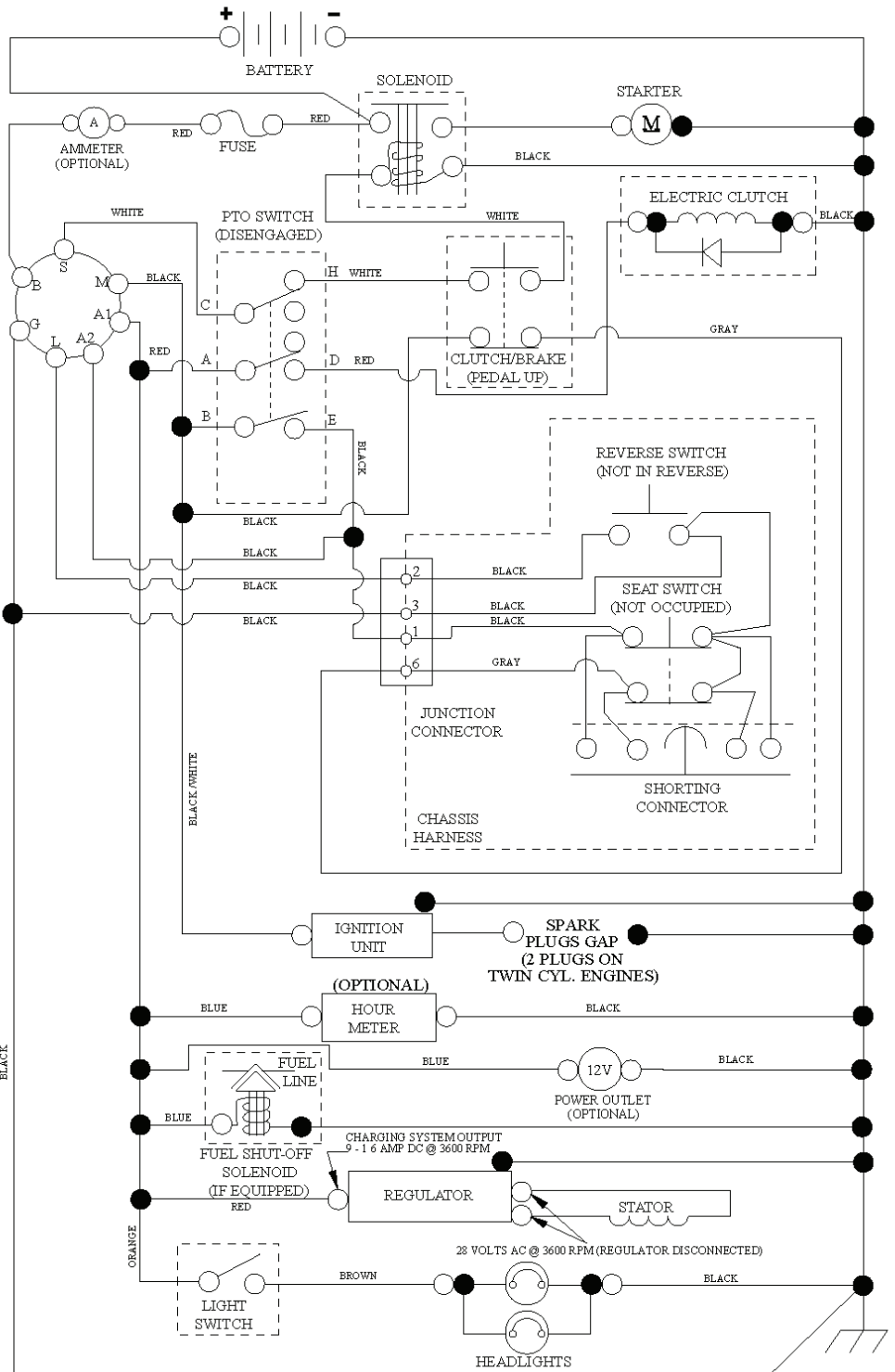


lift-tex\_24

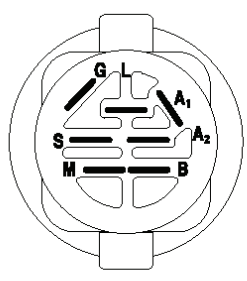
---

| REF. | PART NO.  | DESCRIPTION | REMARK | QTY. | KIT |
|------|-----------|-------------|--------|------|-----|
| 2    | 532422027 | SHAFT       |        | 1    |     |
| 3    | 532195231 | LEVER       | RH     | 1    |     |
| 7    | 532411555 | GRIP        |        | 1    |     |
| 10   | 532196314 | SPRING      |        | 1    |     |
| 41   | 532175994 | NUT         |        | 1    |     |
| 87   | 532194209 | SPRING      |        | 1    |     |
| 88   | 532410710 | SPRING      |        | 1    |     |
| 89   | 819191912 | WASHER      |        | 1    |     |
| 91   | 532403407 | LINK        |        | 1    |     |
| 96   | 532195263 | BUSHING     |        | 1    |     |
| 97   | 817000612 | SCREW       |        | 1    |     |
| 98   | 574822501 | SUSPENSION  |        | 1    |     |
| 114  | 873360700 | NUT         |        | 1    |     |



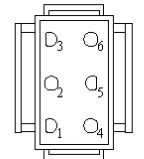


PTO SWITCH (MATING SIDE)

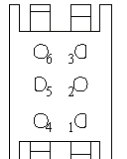


IGNITION SWITCH

| POSITION     | CIRCUIT    | "MAKE" |
|--------------|------------|--------|
| OFF          | M+G+A1     |        |
| RUN/OVERRIDE | B+A1       |        |
| RUN          | B+A1       | L+A2   |
| START        | B + S + A1 |        |



CHASSIS HARNESS CONNECTOR (MATING SIDE)



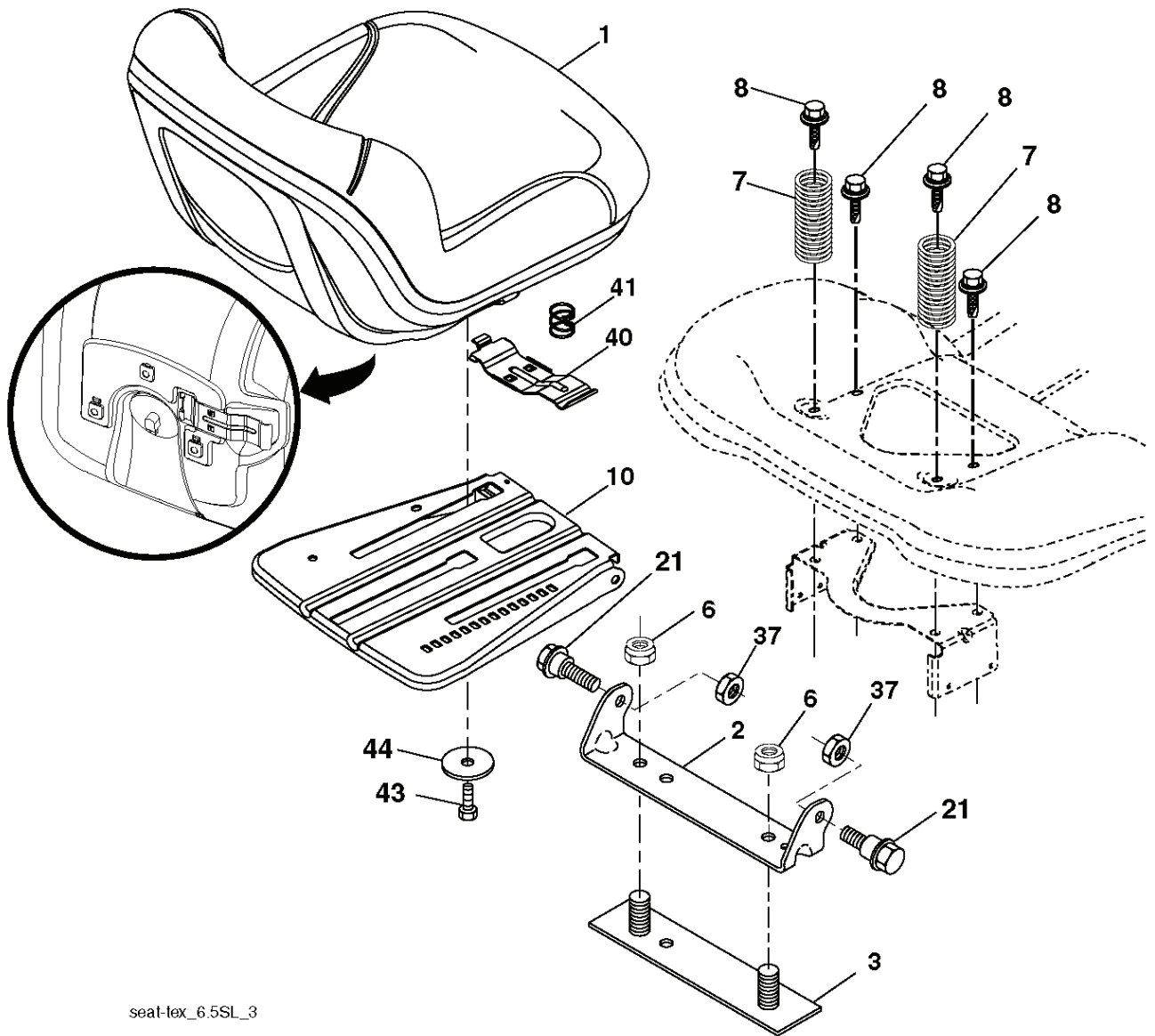
DASH HARNESS CONNECTOR

WIRING INSULATED CLIPS  
 NOTE: IF WIRING INSULATED CLIPS WERE REMOVED FOR SERVICING OF UNIT, THEY SHOULD BE RE-INSTALLED TO PROPERLY SECURE YOUR WIRING.

●  
 NON-REMOVABLE CONNECTIONS

○  
 REMOVABLE CONNECTIONS

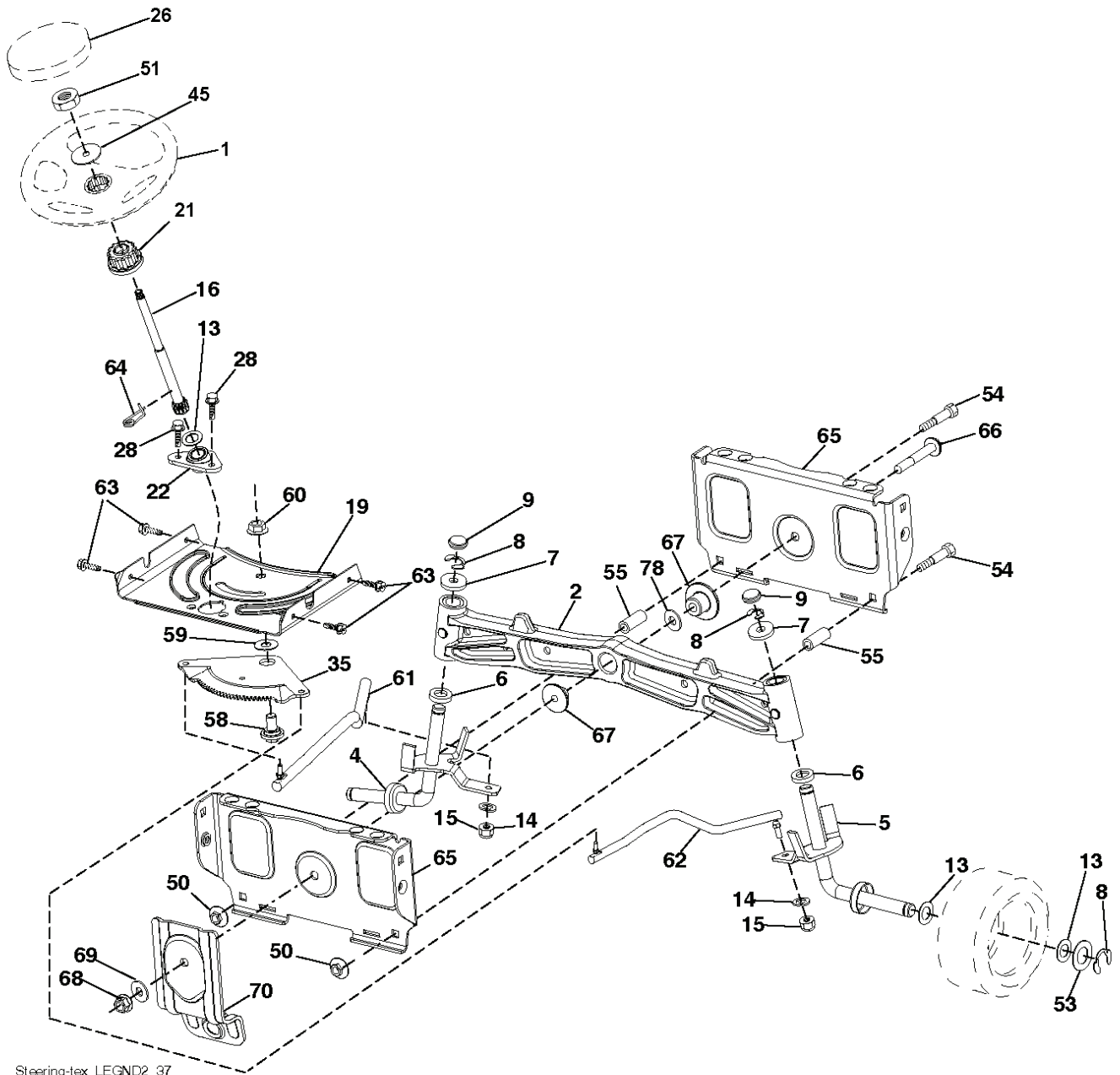




seat-tex\_6.5SL\_3

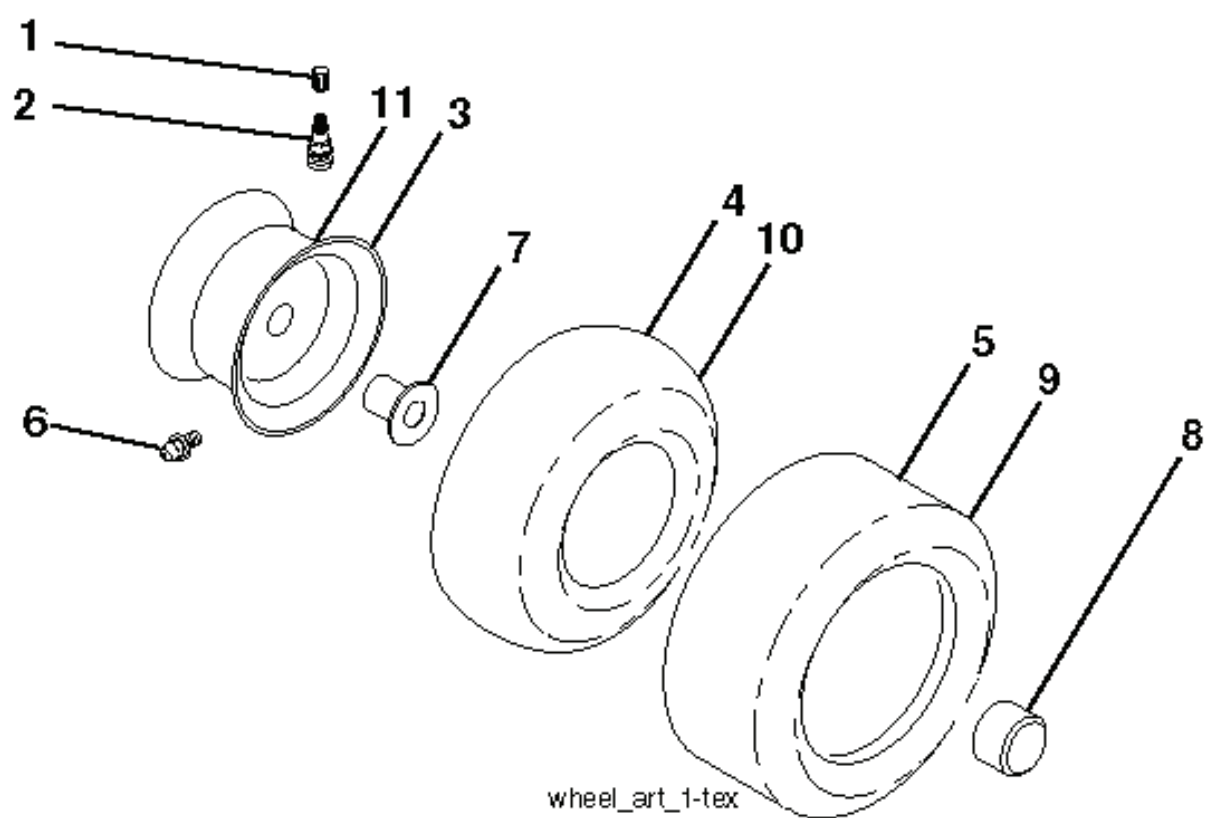
---

| REF. | PART NO.  | DESCRIPTION | REMARK | QTY. | KIT |
|------|-----------|-------------|--------|------|-----|
| 1    | 532424071 | SEAT        |        | 1    |     |
| 2    | 532180166 | BRACKET     |        | 1    |     |
| 3    | 532140675 | STRAP       |        | 1    |     |
| 6    | 873800600 | NUT         |        | 1    |     |
| 7    | 532124181 | SPRING      |        | 1    |     |
| 8    | 532171877 | BOLT        |        | 1    |     |
| 10   | 532196977 | PLATE       |        | 1    |     |
| 21   | 532171852 | BOLT        |        | 1    |     |
| 37   | 873800500 | LOCK NUT    |        | 1    |     |
| 40   | 532425919 | HANDLE      |        | 1    |     |
| 41   | 532198200 | SPRING      |        | 1    |     |
| 43   | 874760612 | BOLT        |        | 1    |     |
| 44   | 819133812 | WASHER      |        | 1    |     |



Steering-tex\_LEGND2\_37

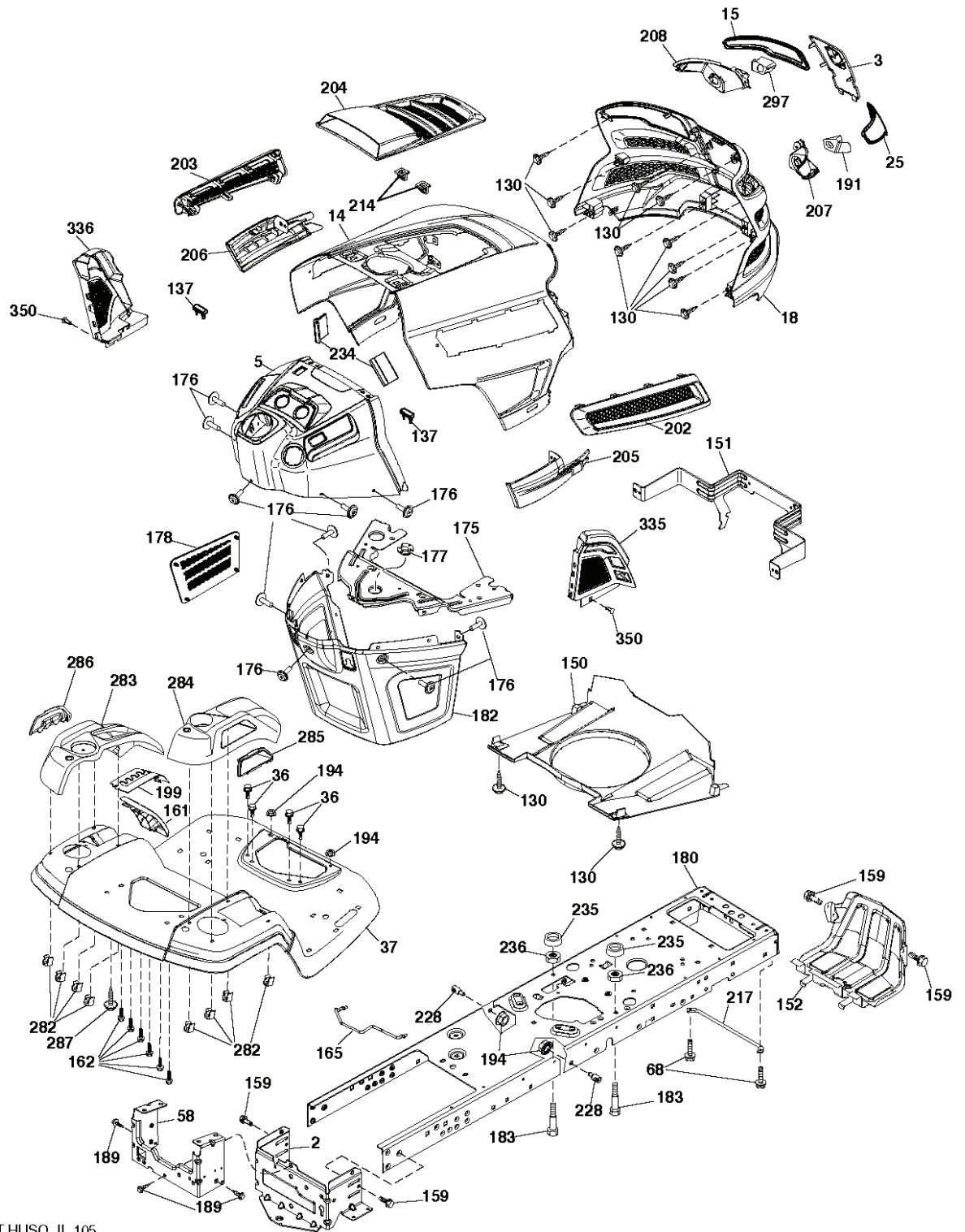
| REF. | PART NO.  | DESCRIPTION     | REMARK | QTY. | KIT |
|------|-----------|-----------------|--------|------|-----|
| 1    | 532416480 | STEERING WHEEL  |        | 1    |     |
| 2    | 532195968 | SHAFT           |        | 1    |     |
| 4    | 532403089 | SPINDLE SHAFT   | LH     | 1    |     |
| 5    | 532403090 | SPINDLE SHAFT   | RH     | 1    |     |
| 6    | 532124931 | WASHER          |        | 1    |     |
| 7    | 532121748 | WASHER          |        | 1    |     |
| 8    | 812000029 | RETAINER RING   |        | 1    |     |
| 9    | 532121232 | HUB CAP         |        | 1    |     |
| 13   | 532121749 | WASHER          |        | 1    |     |
| 14   | 810040600 | WASHER          |        | 1    |     |
| 15   | 873540600 | NUT             |        | 1    |     |
| 16   | 532408219 | SHAFT           |        | 1    |     |
| 19   | 532194729 | PLATE           |        | 1    |     |
| 21   | 532186737 | ADAPTER         |        | 1    |     |
| 22   | 532420537 | SUPPORT         |        | 1    |     |
| 26   | 532415987 | KNOB            |        | 1    |     |
| 28   | 817000612 | SCREW           |        | 1    |     |
| 35   | 532194732 | PLATE           |        | 1    |     |
| 45   | 819183812 | WASHER          |        | 1    |     |
| 50   | 873900600 | NUT             |        | 1    |     |
| 51   | 873940800 | NUT             |        | 1    |     |
| 53   | 532188967 | WASHER          |        | 1    |     |
| 54   | 874760636 | BOLT            |        | 1    |     |
| 55   | 532414736 | SPACER          |        | 1    |     |
| 58   | 532194747 | BOLT            |        | 1    |     |
| 59   | 532194748 | WASHER          |        | 1    |     |
| 60   | 873971000 | NUT             |        | 1    |     |
| 61   | 532194740 | LINK            |        | 1    |     |
| 62   | 532194741 | LINK            |        | 1    |     |
| 63   | 817000512 | SCREW           |        | 1    |     |
| 64   | 532199849 | SPRING RETAINER |        | 1    |     |
| 65   | 532194734 | BRACKET         |        | 1    |     |
| 66   | 871020748 | BOLT            |        | 1    |     |
| 67   | 532194737 | BUSHING         |        | 1    |     |
| 68   | 873900700 | NUT             |        | 1    |     |
| 69   | 532199162 | WASHER          |        | 1    |     |
| 70   | 532196197 | BRACKET         |        | 1    |     |
| 78   | 532057079 | WASHER          |        | 1    |     |



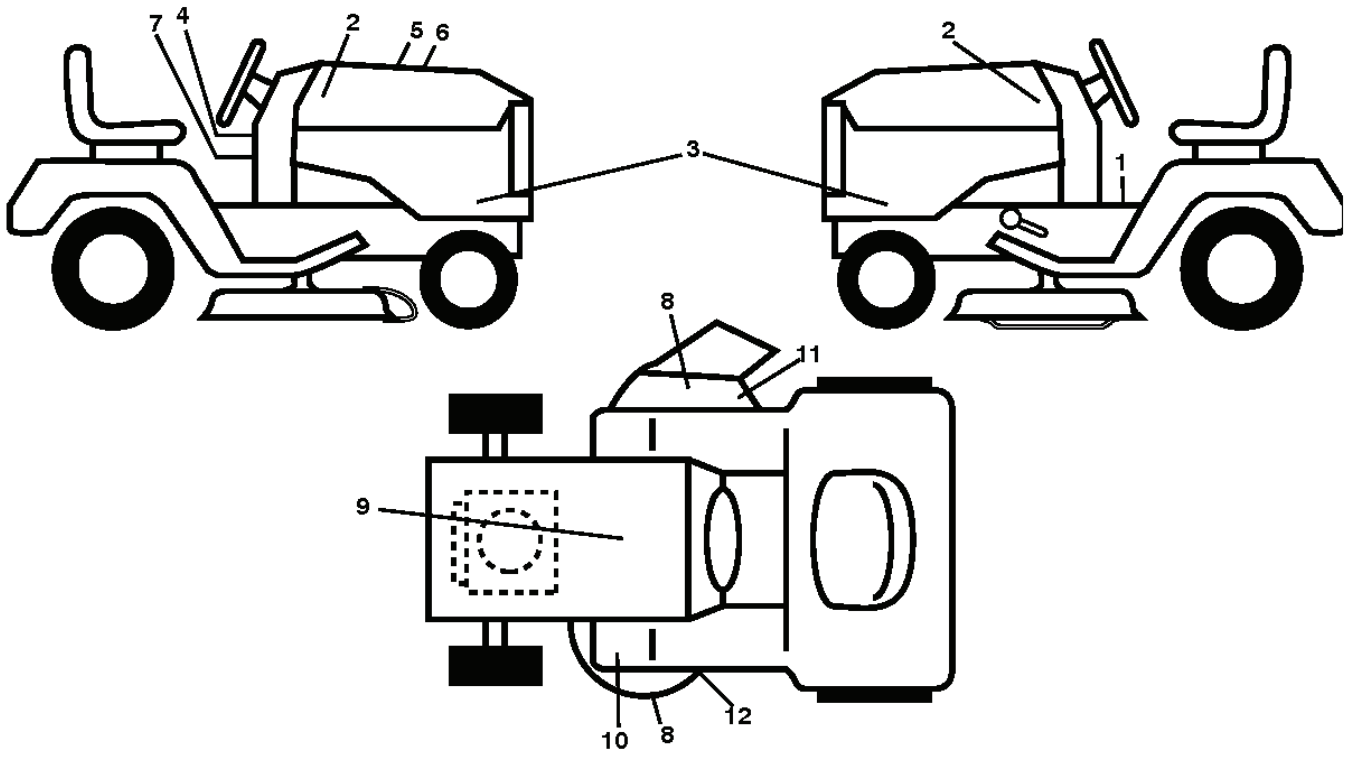
---

| REF. | PART NO.  | DESCRIPTION  | REMARK              | QTY. | KIT |
|------|-----------|--------------|---------------------|------|-----|
| 1    | 532059192 | CAP VALVE    |                     | 1    |     |
| 2    | 532065139 | NIPPLE       |                     | 1    |     |
| 3    | 532144509 | RIM SPROCKET | Front 6.5"          | 1    |     |
| 4    | 532008134 | HOSE         | (Service Item Only) | 1    |     |
| 5    | 532106230 | TIRE         | Front 16" x 6.5"    | 1    |     |
| 6    | 532124957 | FITTING      | (Front Wheel Only)  | 1    |     |
| 7    | 532124959 | BEARING      | (Front Wheel Only)  | 1    |     |
| 8    | 532175039 | HUB CAP      |                     | 1    |     |
| 9    | 532170456 | TIRE         | Rear 20" x 10"-8"   | 1    |     |
| 10   | 532124926 | HOSE         | (Service Item Only) | 1    |     |
| 11   | 532138337 | RIM SPROCKET | Rear 8"             | 1    |     |
|      | 532144334 | SEALING FOAM |                     | 1    |     |



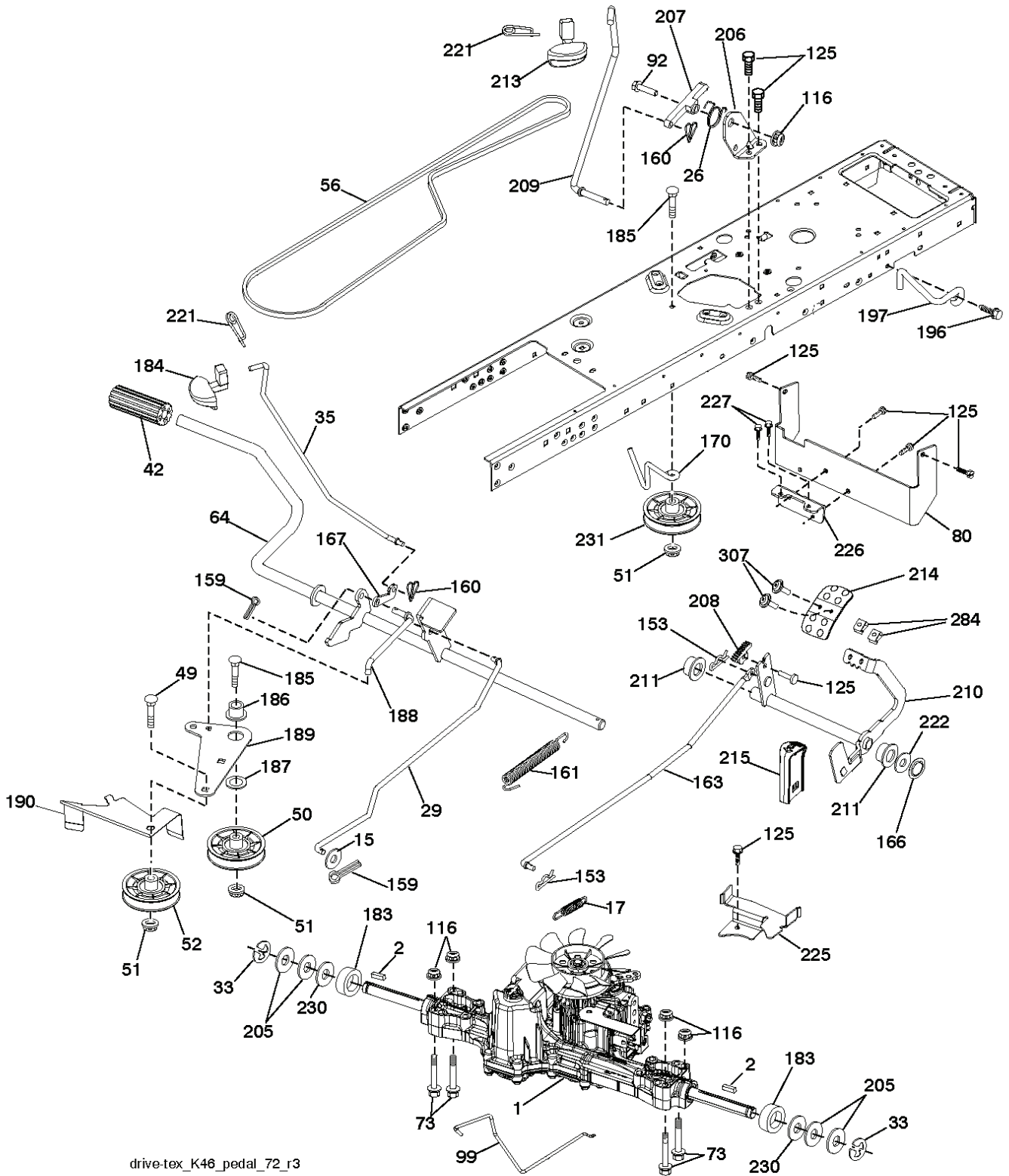


| REF. | PART NO.  | DESCRIPTION   | REMARK | QTY. | KIT |
|------|-----------|---------------|--------|------|-----|
| 2    | 532412282 | PLATE         |        | 1    |     |
| 3    | 532444481 | LOGOTYPE      |        | 1    |     |
| 5    | 532437470 | DASH          |        | 1    |     |
| 14   | 532441177 | HOOD          |        | 1    |     |
| 15   | 532439733 | LENS          |        | 1    |     |
| 18   | 532440653 | GRILLE        |        | 1    |     |
| 25   | 532439732 | LENS          |        | 1    |     |
| 36   | 817060512 | SCREW         |        | 1    |     |
| 37   | 532441178 | FENDER        |        | 1    |     |
| 58   | 532412280 | PLATE         |        | 1    |     |
| 68   | 817490508 | SCREW         |        | 1    |     |
| 130  | 532416358 | SCREW         |        | 1    |     |
| 137  | 532407590 | DAMPING PIECE |        | 1    |     |
| 150  | 532439774 | AIR DUCT      |        | 1    |     |
| 151  | 532436670 | BRACKET       |        | 1    |     |
| 152  | 532439870 | SHIELD        |        | 1    |     |
| 159  | 817000612 | SCREW         |        | 1    |     |
| 161  | 532441101 | WINDOW        |        | 1    |     |
| 162  | 532142432 | SCREW         |        | 1    |     |
| 165  | 532194330 | SUPPORT       |        | 1    |     |
| 175  | 532196304 | SUPPORT       |        | 1    |     |
| 176  | 532400776 | SCREW         |        | 1    |     |
| 177  | 532195227 | BUSHING       |        | 1    |     |
| 178  | 532199782 | NET           |        | 1    |     |
| 180  | 532194260 | CHASSIS       |        | 1    |     |
| 182  | 532406859 | DASH          |        | 1    |     |
| 183  | 874520520 | BOLT          |        | 1    |     |
| 189  | 817000512 | SCREW         |        | 1    |     |
| 191  | 532437455 | INSERT        |        | 1    |     |
| 194  | 873900500 | NUT           |        | 1    |     |
| 199  | 532413485 | PLATE         |        | 1    |     |
| 202  | 532439728 | COVER         | RH     | 1    |     |
| 203  | 532439727 | COVER         | LH     | 1    |     |
| 204  | 532435714 | COVER         |        | 1    |     |
| 205  | 532439730 | SKIRT         |        | 1    |     |
| 206  | 532439729 | SKIRT         |        | 1    |     |
| 207  | 532439734 | CUP           | RH     | 1    |     |
| 208  | 532439735 | CUP           | LH     | 1    |     |
| 214  | 532199145 | CLIP          |        | 1    |     |
| 217  | 532409167 | ROD           |        | 1    |     |
| 228  | 532195161 | STUD          |        | 1    |     |
| 234  | 532404742 | DAMPING PIECE |        | 1    |     |
| 235  | 532406129 | SPACER        |        | 1    |     |
| 236  | 873930500 | NUT           |        | 1    |     |
| 282  | 532414110 | CLIP          |        | 1    |     |
| 283  | 532418741 | CONSOLE       |        | 1    |     |
| 284  | 532413490 | CONSOLE       |        | 1    |     |
| 285  | 532416315 | CONSOLE       | RH     | 1    |     |
| 286  | 532416317 | CONSOLE       | LH     | 1    |     |
| 287  | 817600406 | SCREW         |        | 1    |     |
| 297  | 532437456 | INSERT        |        | 1    |     |
| 335  | 532448204 | COVER         |        | 1    |     |
| 336  | 532439846 | COVER         |        | 1    |     |
| 350  | 532445143 | CLIP          |        | 1    |     |
| --   | 532431882 | GUARD         |        | 1    |     |



---

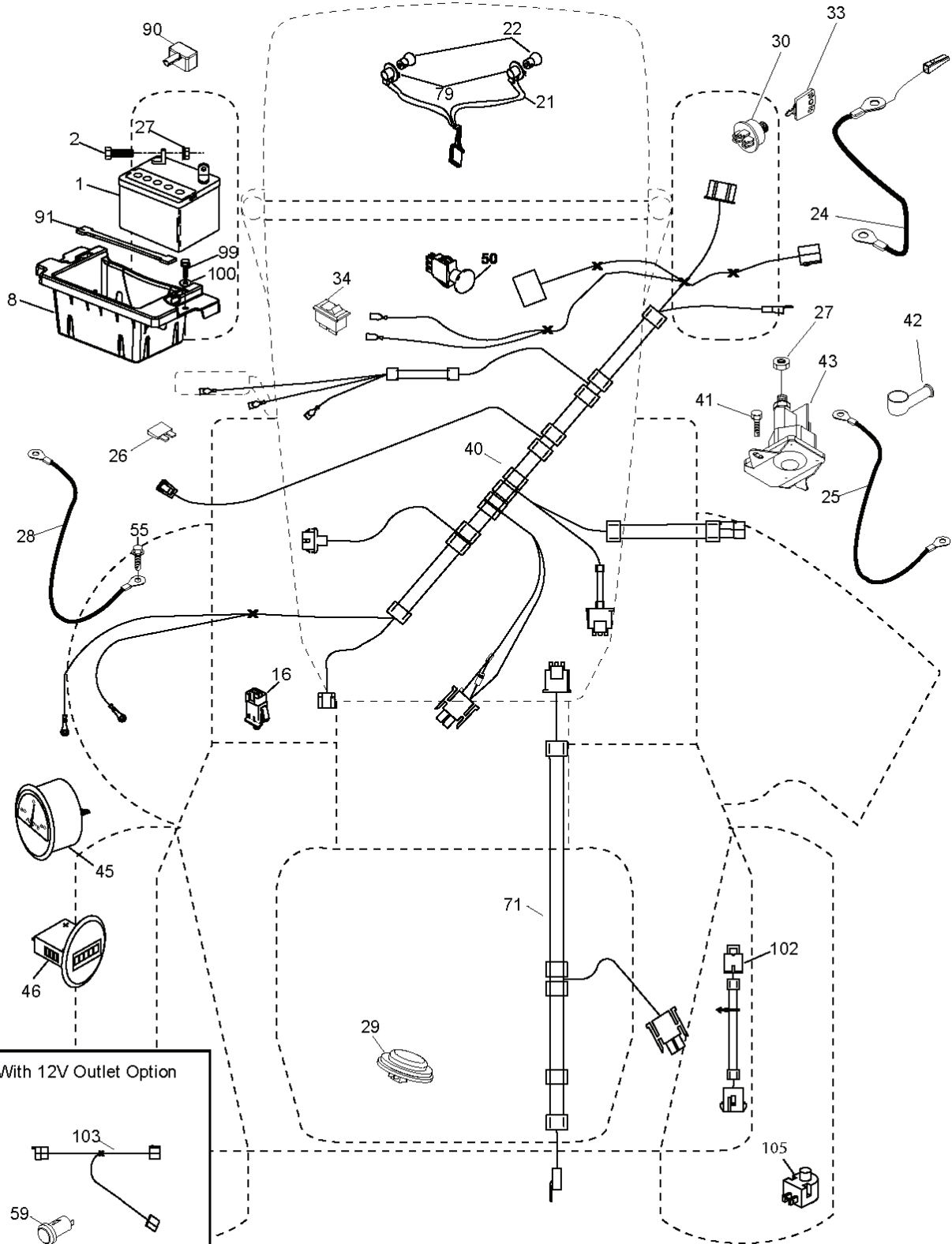
| REF. | PART NO.  | DESCRIPTION       | REMARK | QTY. | KIT |
|------|-----------|-------------------|--------|------|-----|
| 1    | 532411657 | DECAL             |        | 1    |     |
| 2    | 581627301 | DECAL             |        | 1    |     |
| 3    | 532440427 | DECAL             |        | 1    |     |
| 4    | 532424102 | DECAL             |        | 1    |     |
| 5    | 532423829 | DECAL             |        | 1    |     |
| 6    | 532440234 | DECAL             |        | 1    |     |
| 7    | 532436390 | LABEL             |        | 1    |     |
| 8    | 539105743 | DECAL             |        | 1    |     |
| 9    | 532145005 | DECAL             |        | 1    |     |
| 10   | 532418600 | DECAL             |        | 1    |     |
| 11   | 539113224 | DECAL             |        | 1    |     |
| 12   | 532198785 | LABEL             |        | 1    |     |
|      | 532166960 | DECAL             |        | 1    |     |
|      | 532410805 | PAD               | LH     | 1    |     |
|      | 532410806 | PAD, FOOTREST, RH | RH     | 1    |     |



drive-tex\_K46\_pedal\_72\_r3

| REF. | PART NO.  | DESCRIPTION                    | REMARK                      | QTY. | KIT |
|------|-----------|--------------------------------|-----------------------------|------|-----|
| 1    | 000000000 | W/O DESCRIPTION                | TRANSAXLE TUFFTORQ<br>K46CR | 1    |     |
| 2    | 532123583 | KEY                            |                             | 1    |     |
| 15   | 819131316 | WASHER                         |                             | 1    |     |
| 17   | 532413678 | SRPING.BRAKE.K46.GREEN*SUBS/2* |                             | 1    |     |
| 26   | 532199679 | SPRING                         |                             | 1    |     |
| 29   | 532403806 | ROD                            |                             | 1    |     |
| 33   | 812000001 | RETAINER RING                  |                             | 1    |     |
| 35   | 583864501 | ROD                            |                             | 1    |     |
| 42   | 532124872 | PEDAL RUBBER                   |                             | 1    |     |
| 49   | 872110614 | BOLT                           |                             | 1    |     |
| 50   | 532194327 | PULLEY                         |                             | 1    |     |
| 51   | 873900600 | NUT                            |                             | 1    |     |
| 52   | 532194326 | PULLEY                         |                             | 1    |     |
| 56   | 532130969 | BELT                           |                             | 1    |     |
| 64   | 532197865 | SHAFT                          |                             | 1    |     |
| 73   | 874490540 | BOLT                           |                             | 1    |     |
| 80   | 532410024 | STRAP TORQUE                   |                             | 1    |     |
| 92   | 874760520 | BOLT                           |                             | 1    |     |
| 99   | 532415742 | ROD                            |                             | 1    |     |
| 116  | 873900500 | NUT                            |                             | 1    |     |
| 125  | 817000512 | SCREW                          |                             | 1    |     |
| 153  | 532124788 | RETAINER RING                  |                             | 1    |     |
| 159  | 876020412 | SPLIT PIN                      |                             | 1    |     |
| 160  | 532169484 | PIN                            |                             | 1    |     |
| 161  | 532105709 | SPRING                         |                             | 1    |     |
| 163  | 532448275 | CONTROL                        |                             | 1    |     |
| 166  | 532429164 | NUT                            |                             | 1    |     |
| 167  | 532405257 | LATCH                          |                             | 1    |     |
| 170  | 532413430 | BELT GUIDE                     |                             | 1    |     |
| 183  | 532137057 | SPACER                         |                             | 1    |     |
| 184  | 532403118 | CONTROL                        |                             | 1    |     |
| 185  | 872110622 | BOLT                           |                             | 1    |     |
| 186  | 532194321 | SPACER                         |                             | 1    |     |
| 187  | 819133210 | WASHER                         |                             | 1    |     |
| 188  | 532194323 | LINK                           |                             | 1    |     |
| 189  | 532194317 | PLATE                          |                             | 1    |     |
| 190  | 532194318 | BELT GUIDE                     |                             | 1    |     |
| 196  | 817000616 | SCREW                          |                             | 1    |     |
| 197  | 532195804 | BRACKET                        |                             | 1    |     |
| 205  | 532121748 | WASHER                         |                             | 1    |     |
| 206  | 532197867 | BRACKET                        |                             | 1    |     |
| 207  | 532197868 | LATCH                          |                             | 1    |     |
| 208  | 532197869 | SUPPORT                        |                             | 1    |     |
| 209  | 532199592 | ROD                            |                             | 1    |     |
| 210  | 532400980 | PEDAL ARM                      |                             | 1    |     |
| 211  | 532120183 | BEARING                        |                             | 1    |     |
| 213  | 532403119 | CONTROL                        |                             | 1    |     |
| 214  | 532416863 | PEDAL.FORWARD.HUSQVARNA.DEALER |                             | 1    |     |
| 215  | 532401723 | PEDAL                          |                             | 1    |     |
| 221  | 532403187 | SPRING                         |                             | 1    |     |
| 222  | 879212010 | WASHER                         |                             | 1    |     |
| 225  | 532403319 | BELT GUIDE                     |                             | 1    |     |
| 226  | 532401564 | BRACKET                        |                             | 1    |     |
| 227  | 817490512 | SCREW                          |                             | 1    |     |
| 230  | 532188967 | WASHER                         |                             | 1    |     |
| 231  | 532407287 | PULLEY                         |                             | 1    |     |
| 284  | 532417693 | NUT                            |                             | 1    |     |
| 307  | 874180412 | SCREW                          |                             | 1    |     |

T15S



With 12V Outlet Option

103

59

| REF. | PART NO.  | DESCRIPTION                    | REMARK | QTY. | KIT |
|------|-----------|--------------------------------|--------|------|-----|
| 1    | 532163465 | BATTERY                        |        | 1    |     |
| 2    | 874760412 | BOLT                           |        | 1    |     |
| 8    | 532414125 | TRAY ASM BATTERY FRT TEX CARB  |        | 1    |     |
| 16   | 532176138 | MICRO SWITCH                   |        | 1    |     |
| 21   | 532400252 | HARNESS                        |        | 1    |     |
| 22   | 532004152 | BULB                           |        | 1    |     |
| 24   | 532400253 | CABLE                          |        | 1    |     |
| 25   | 532412895 | CABLE.STARTER.6G.BL/RE*SUBS/2* |        | 1    |     |
| 26   | 532175158 | FUSE                           |        | 1    |     |
| 27   | 873510400 | NUT                            |        | 1    |     |
| 28   | 532145491 | CABLE                          |        | 1    |     |
| 29   | 532401545 | SWITCH                         |        | 1    |     |
| 30   | 532193350 | IGNITION MODULE                |        | 1    |     |
| 33   | 532411933 | KEY                            |        | 1    |     |
| 34   | 532110712 | SWITCH                         |        | 1    |     |
| 40   | 532402167 | CABLE                          |        | 1    |     |
| 41   | 817720408 | SCREW                          |        | 1    |     |
| 42   | 532131563 | COVER                          |        | 1    |     |
| 43   | 532192507 | SOLENOID                       |        | 1    |     |
| 45   | 532425270 | GAUGE                          |        | 1    |     |
| 46   | 532425271 | GAUGE                          |        | 1    |     |
| 50   | 532174651 | SWITCH                         |        | 1    |     |
| 55   | 817060512 | SCREW                          |        | 1    |     |
| 59   | 532400303 | OUTLET-12 VOLT                 |        | 1    |     |
| 71   | 532194276 | CABLE ASSY                     |        | 1    |     |
| 79   | 532175242 | HOLDER                         |        | 1    |     |
| 90   | 532435395 | TERMINAL COVER                 |        | 1    |     |
| 91   | 532190270 | STRAP BATTERY MOUNT FRO        |        | 1    |     |
| 99   | 817670412 | SCREW                          |        | 1    |     |
| 100  | 819091416 | WASHER                         |        | 1    |     |
| 102  | 532404454 | CABLE                          |        | 1    |     |
| 103  | 532421747 | HARNESS                        |        | 1    |     |
| 105  | 532407568 | SWITCH                         |        | 1    |     |
|      | PART NO.  |                                | REMARK |      | KIT |