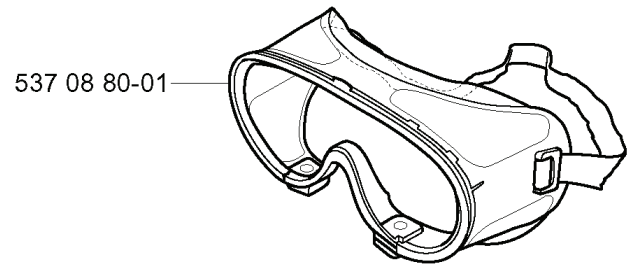
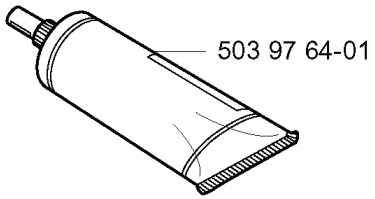


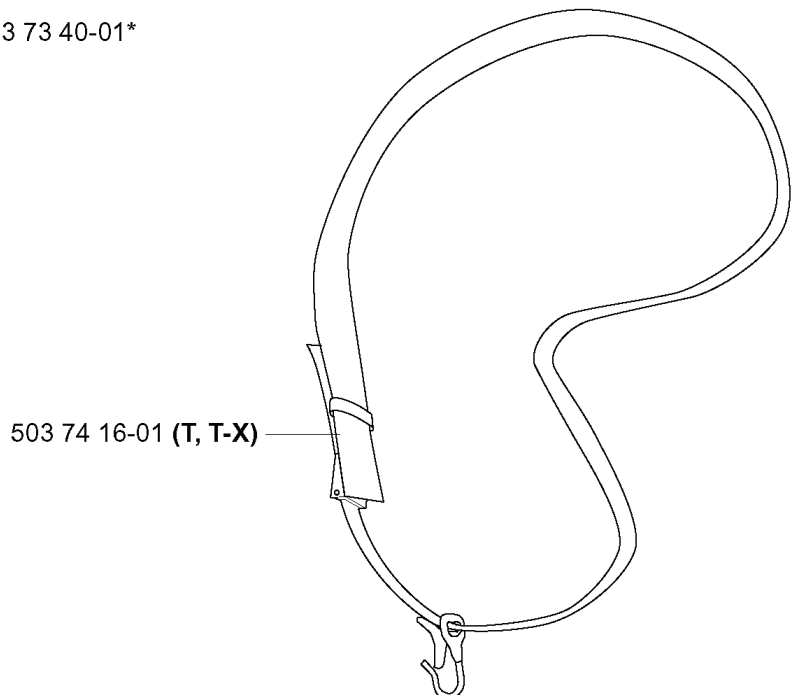
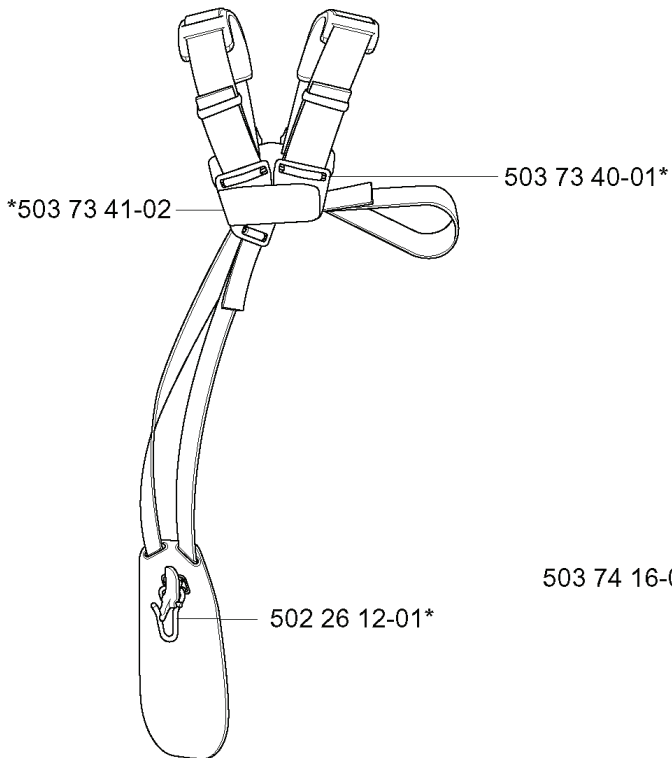
325 RX, 20010500001-20020100000

SPARE PARTS LIST

M 付属品

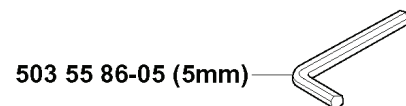
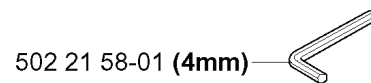
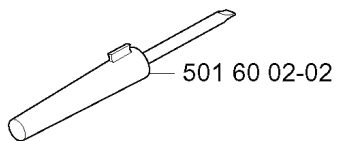
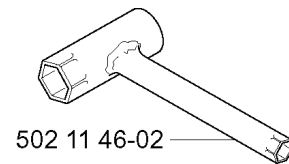
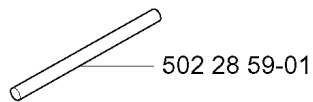
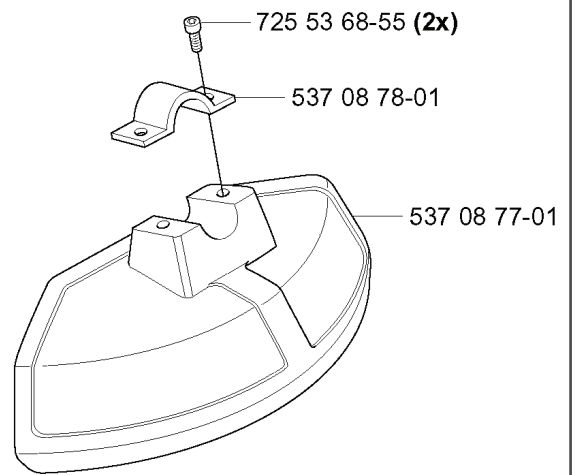


—* 体型 503 73 63-03 (R, R-X)



| REF. | PART NO. | DESCRIPTION | REMARK | QTY. | KIT |
|------------|-----------|----------------|--------|------|-----|
| 5039764-01 | 503976401 | GREASE | | 1 | |
| 5037363-03 | 503736303 | HARNESS | R, R-X | 1 | |
| 5037341-02 | 503734102 | BUCKLE | | 1 | |
| 5022612-01 | 502261201 | WELT HOOK | | 1 | |
| 5037416-01 | 503741601 | HARNESS ASSY | T, T-X | 1 | |
| 5037340-01 | 503734001 | FRONT PIECE | | 1 | |
| 5370880-01 | 537088001 | SAFETY GLASSES | | 1 | |

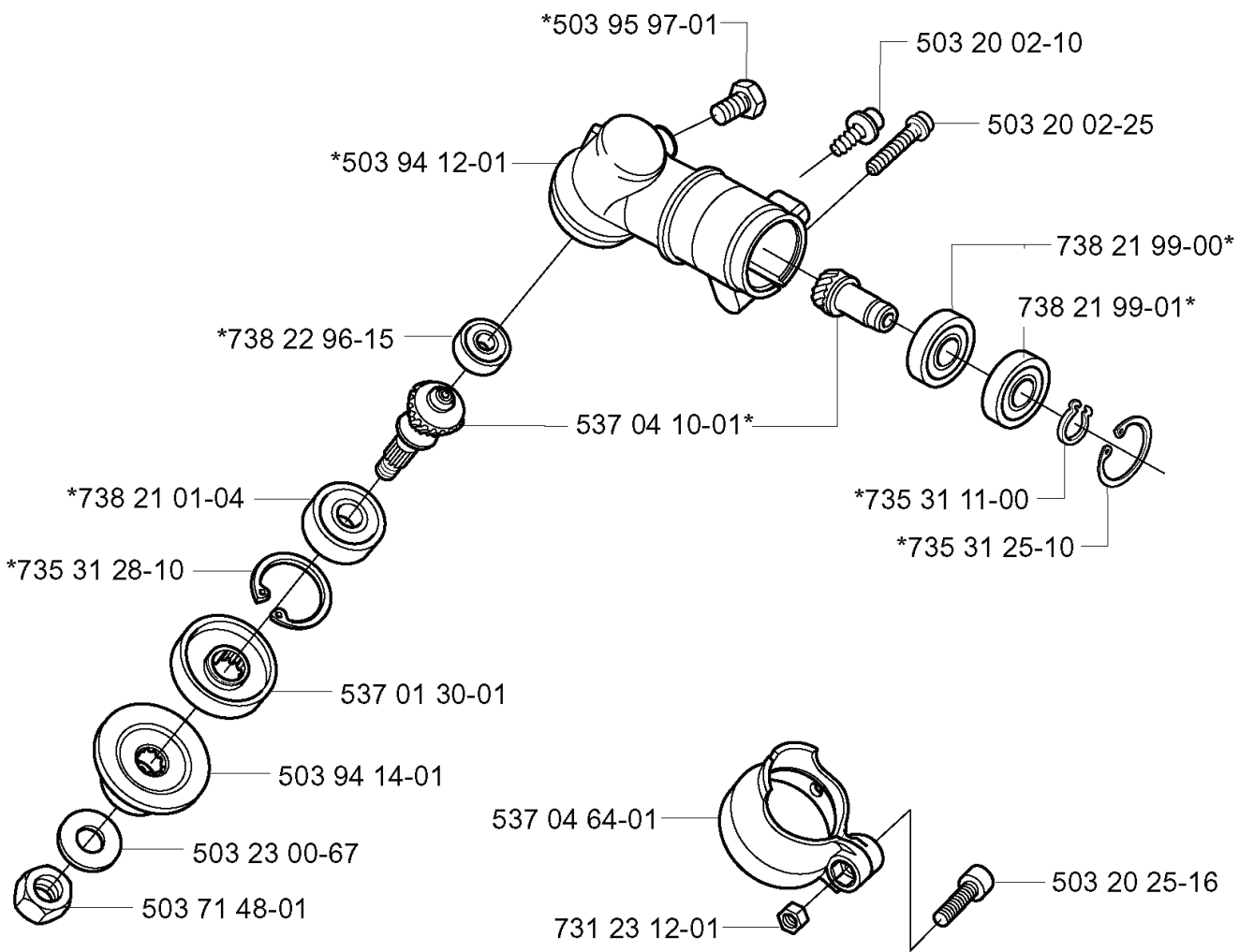
M 付属品



| REF. | PART NO. | DESCRIPTION | REMARK | QTY. | KIT |
|--------------|-----------|------------------|--------|------|-----|
| 502 28 59-01 | 502285901 | STOP | | 1 | |
| 501 60 02-02 | 501600202 | SCREWDRIVER | | 1 | |
| 503 55 86-05 | 503558605 | SPANNER | 5MM | 1 | |
| 502 21 58-01 | 502215801 | WRENCH | 4MM | 1 | |
| 502 11 46-02 | 502114602 | SOCKET WRENCH | | 1 | |
| 537 08 77-01 | 537087701 | TRIMMER GUARD | | 1 | |
| 537 08 78-01 | 537087801 | ATTACHMENT PLATE | | 1 | |
| 725 53 68-55 | 725536855 | SCREW IHSCM | | 2 | |

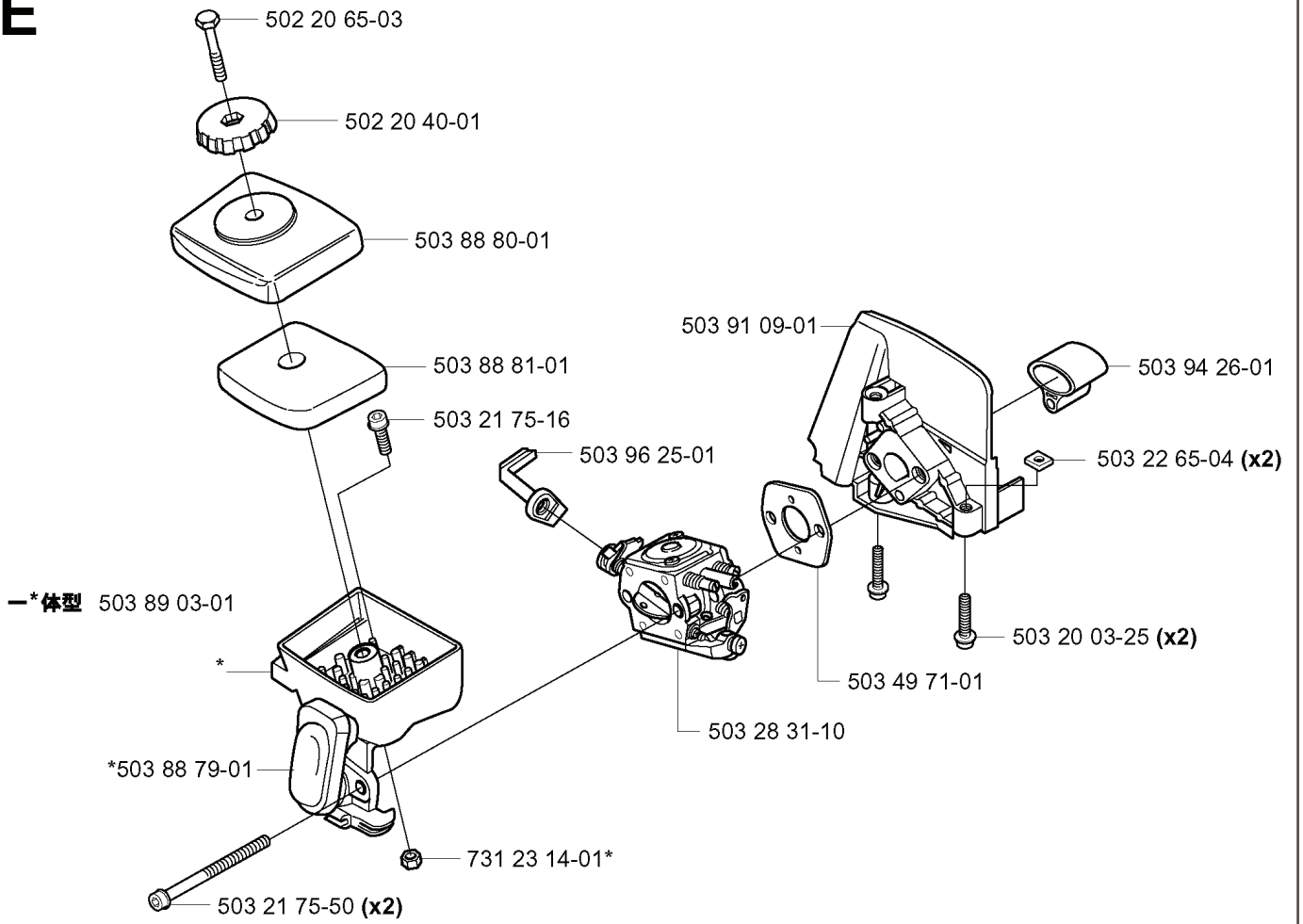
C

—* 体型 503 94 11-01



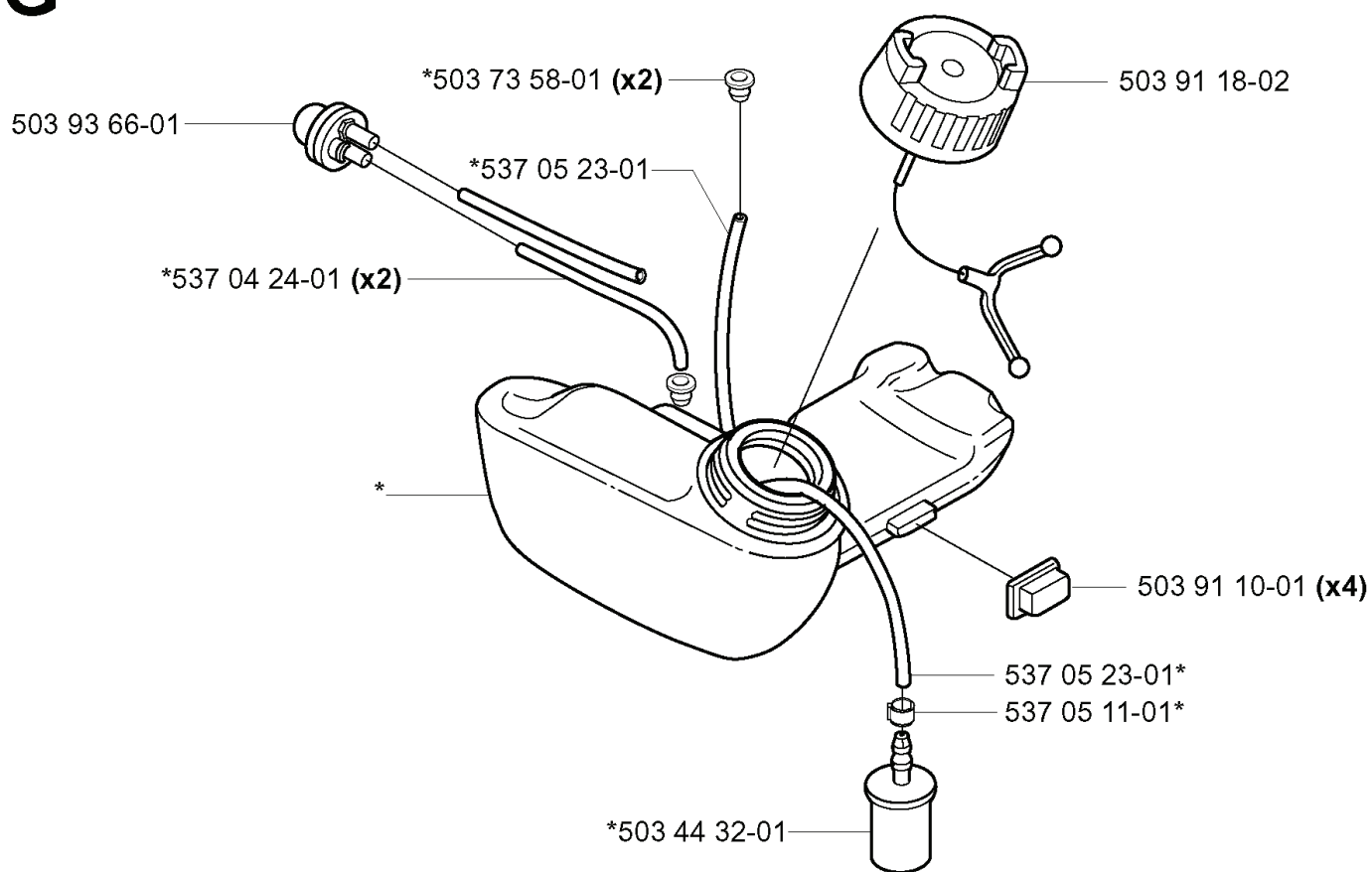
| REF. | PART NO. | DESCRIPTION | REMARK | QTY. | KIT |
|--------------|-----------|----------------|--------|------|-----|
| 503 94 11-01 | 503941101 | GEAR ASSY | | 1 | |
| 503 95 97-01 | 503959701 | SCREW | | 1 | |
| 503 94 12-01 | 503941201 | GEAR HOUSING | | 1 | |
| 738 22 96-15 | 738229615 | BALL BEARING | | 1 | |
| 738 21 01-04 | 738210104 | BALL BEARING | | 1 | |
| 735 31 28-10 | 735312810 | CIRCLIP | | 1 | |
| 503 71 48-01 | 503714801 | NUT BLADE | | 1 | |
| 503 23 00-67 | 503230067 | WASHER | | 1 | |
| 503 94 14-01 | 503941401 | SUPPORT FLANGE | | 1 | |
| 537 01 30-01 | 537013001 | DRIVER | | 1 | |
| 537 04 10-01 | 537041001 | GEAR WHEEL KIT | | 1 | |
| 537 04 64-01 | 537046401 | COVER | | 1 | |
| 731 23 12-01 | 731231201 | HEXAGON NUT | | 1 | |
| 503 20 25-16 | 503202516 | SCREW IHSCM | | 1 | |
| 735 31 25-10 | 735312510 | CIRCLIP | | 1 | |
| 735 31 11-00 | 735311100 | CIRCLIP | | 1 | |
| 738 21 99-01 | 738219901 | BALL BEARING | | 1 | |
| 738 21 99-00 | 738219900 | BALL BEARING | | 1 | |
| 503 20 02-25 | 503200225 | SCREW IHSCFM | | 1 | |
| 503 20 02-10 | 503200210 | SCREW IHSCFM | | 1 | |

E



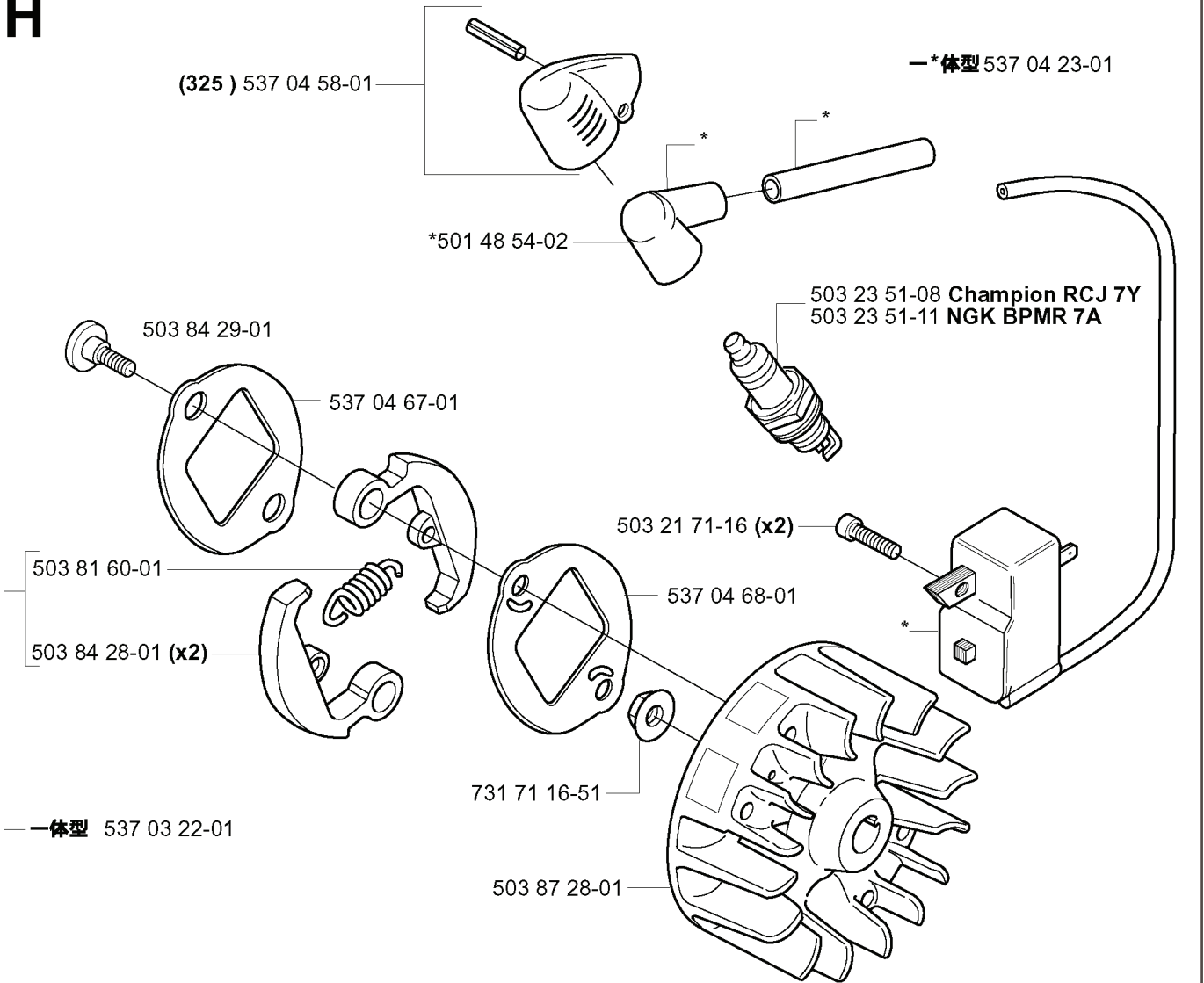
| REF. | PART NO. | DESCRIPTION | REMARK | QTY. | KIT |
|--------------|-----------|-----------------|--------|------|-----|
| 502 20 65-03 | 502206503 | SCREW EHMM | | 1 | |
| 502 20 40-01 | 502204001 | KNOB | | 1 | |
| 503 88 80-01 | 503888001 | FILTER COVER | | 1 | |
| 503 88 81-01 | 503888101 | AIR FILTER | | 1 | |
| 503 21 75-16 | 503217516 | SCREW IHSCFT | | 1 | |
| 503 96 25-01 | 503962501 | CHOKE CONTROL | | 1 | |
| 503 89 03-01 | 503890301 | FILTER HOLDER | | 1 | |
| 503 88 79-01 | 503887901 | HUB CAP | | 1 | |
| 503 21 75-50 | 503217550 | SCREW IHSCFT | | 2 | |
| 731 23 14-01 | 731231401 | HEXAGON NUT | | 1 | |
| 503 28 31-10 | 503283110 | CARBURETTOR | | 1 | |
| 503 49 71-01 | 503497101 | GASKET | | 1 | |
| 503 20 03-25 | 503200325 | SCREW IHSCFM | | 2 | |
| 503 22 65-04 | 503226504 | SQUARE NUT | | 2 | |
| 503 94 26-01 | 503942601 | INLET PIPE | | 1 | |
| 503 91 09-01 | 503910901 | INSULATION WALL | | 1 | |

G —* 体型 537 06 86-01



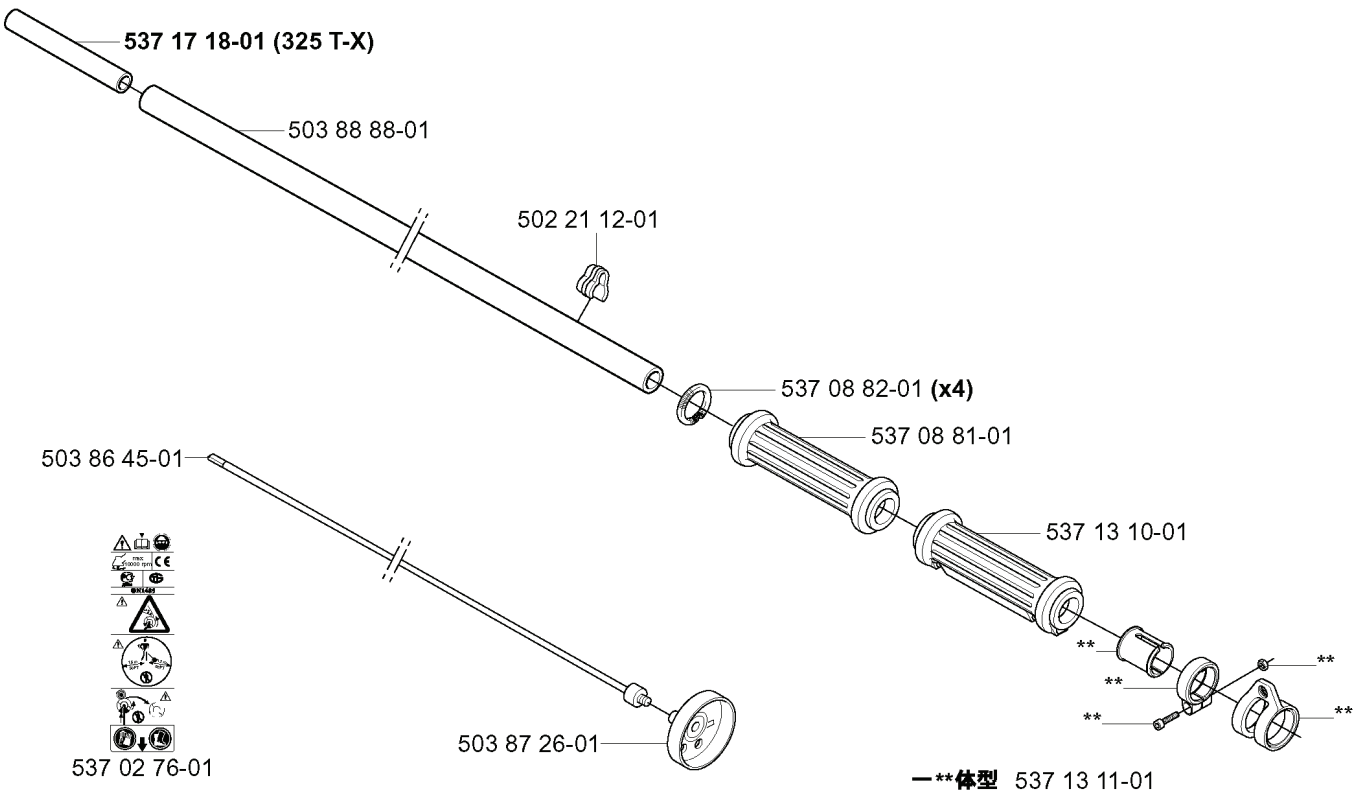
| REF. | PART NO. | DESCRIPTION | REMARK | QTY. | KIT |
|------------|-----------|-------------|--------|------|-----|
| 5370686-01 | 537068601 | FUEL TANK | | 1 | |
| 5039366-01 | 503936601 | PURGE | | 1 | |
| 5370424-01 | 537042401 | FUEL HOSE | | 2 | |
| 5034432-01 | 503443201 | FUEL FILTER | | 1 | |
| 5370511-01 | 537051101 | HOSE CLAMP | | 1 | |
| 5370523-01 | 537052301 | FUEL HOSE | | 1 | |
| 5039110-01 | 503911001 | SUSPENSION | | 4 | |
| 5037358-01 | 503735801 | BUSHING | | 2 | |
| 5039118-02 | 503911802 | TANK CAP | | 1 | |

H



| REF. | PART NO. | DESCRIPTION | REMARK | QTY. | KIT |
|--------------|-----------|--------------------|-----------------|------|-----|
| 537 04 58-01 | 537045801 | COVER | 325 | 1 | |
| 501 48 54-02 | 501485402 | SPARK PLUG CAP | | 1 | |
| 503 84 29-01 | 503842901 | SCREW | | 1 | |
| 537 04 67-01 | 537046701 | WASHER | | 1 | |
| 503 81 60-01 | 503816001 | CLUTCH SPRING | | 1 | |
| 503 84 28-01 | 503842801 | CLUTCH SHOE | | 2 | |
| 537 03 22-01 | 537032201 | CLUTCH ASSY | | 1 | |
| 503 87 28-01 | 503872801 | FLYWHEEL | | 1 | |
| 731 71 16-51 | 731711651 | HEXAGON NUT FLANGE | | 1 | |
| 537 04 68-01 | 537046801 | WASHER | | 1 | |
| 503 21 71-16 | 503217116 | SCREW IHSCT | | 2 | |
| 503 23 51-11 | 503235111 | SPARK PLUG | NGK BPMR 7A | 1 | |
| 503 23 51-08 | 503235108 | SPARK PLUG | CHAMPION RCJ 7Y | 1 | |
| 537 04 23-01 | 537042301 | IGNITION MODULE | | 1 | |

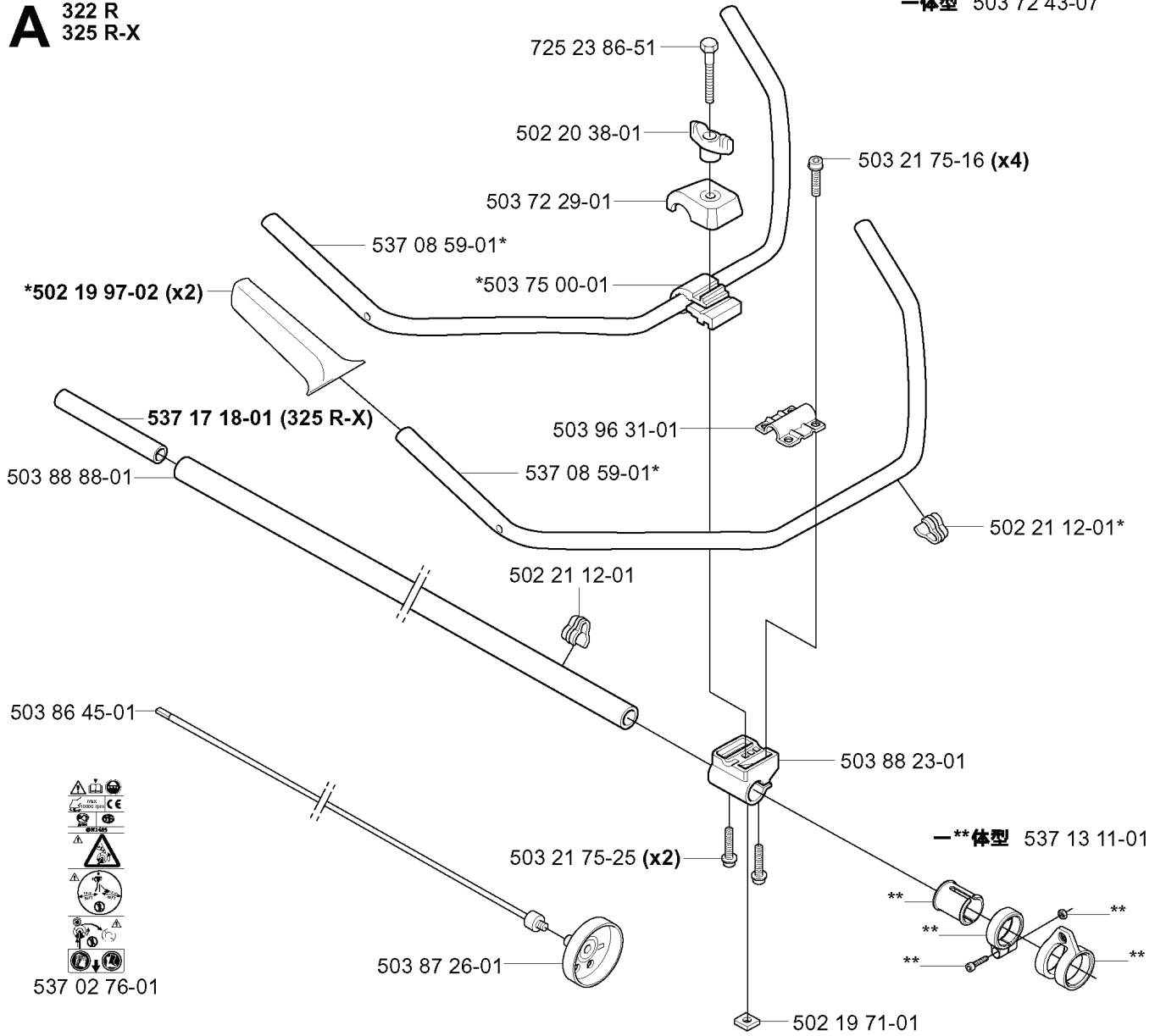
322 T
325 T-X



| REF. | PART NO. | DESCRIPTION | REMARK | QTY. | KIT |
|--------------|-----------|------------------|---------|------|-----|
| 537 17 18-01 | 537171801 | INNERHYLSA | 325 T-X | 1 | |
| 503 86 45-01 | 503864501 | DRIVE SHAFT | | 1 | |
| 537 02 76-01 | 537027601 | LABEL | | 1 | |
| 503 87 26-01 | 503872601 | CLUTCH DRUM ASSY | | 1 | |
| 537 13 11-01 | 537131101 | HOOK | | 1 | |
| 537 13 10-01 | 537131001 | HANDLE | | 1 | |
| 537 08 81-01 | 537088101 | HANDLE | | 1 | |
| 537 08 82-01 | 537088201 | SPRING | | 4 | |
| 502 21 12-01 | 502211201 | STAPLE | | 1 | |
| 503 88 88-01 | 503888801 | TUBE | | 1 | |

A 322 R
325 R-X

一体型 503 72 43-07

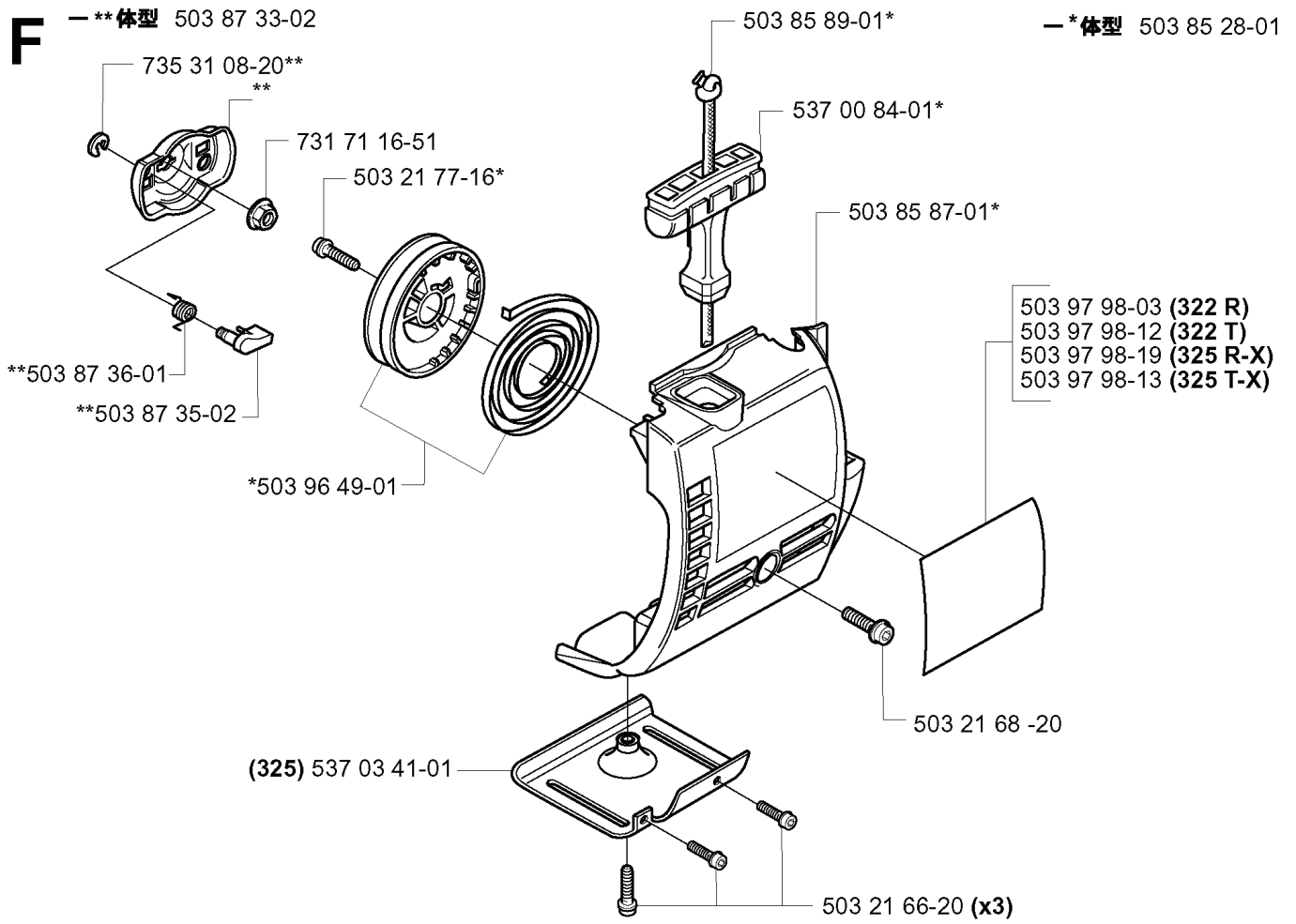


| REF. | PART NO. | DESCRIPTION | REMARK | QTY. | KIT |
|--------------|-----------|-------------------|---------|------|-----|
| 502 19 97-02 | 502199702 | HANDLE | | 2 | |
| 537 17 18-01 | 537171801 | INNERHYLSA | 325 R-X | 1 | |
| 503 88 88-01 | 503888801 | TUBE | | 1 | |
| 503 86 45-01 | 503864501 | DRIVE SHAFT | | 1 | |
| 537 02 76-01 | 537027601 | LABEL | | 1 | |
| 503 87 26-01 | 503872601 | CLUTCH DRUM ASSY | | 1 | |
| 503 21 75-25 | 503217525 | SCREW IHSCFT | | 2 | |
| 502 21 12-01 | 502211201 | STAPLE | | 1 | |
| 503 96 31-01 | 503963101 | BRACKET | | 1 | |
| 503 75 00-01 | 503750001 | HANDLEBAR BRACKET | | 1 | |
| 537 08 59-01 | 537085901 | HANDLEBAR | | 1 | |
| 503 72 29-01 | 503722901 | COVER | | 1 | |
| 502 20 38-01 | 502203801 | KNOB | | 1 | |
| 725 23 86-51 | 725238651 | SCREW EHHM | | 1 | |
| 503 88 23-01 | 503882301 | BRACKET | | 1 | |
| 502 19 71-01 | 502197101 | SQUARE NUT | | 1 | |
| 537 13 11-01 | 537131101 | HOOK | | 1 | |
| 503 21 75-16 | 503217516 | SCREW IHSCFT | | 4 | |
| 503 72 43-07 | 503724307 | HANDLEBAR | | 1 | |

F

—**体型 503 87 33-02

—*体型 503 85 28-01

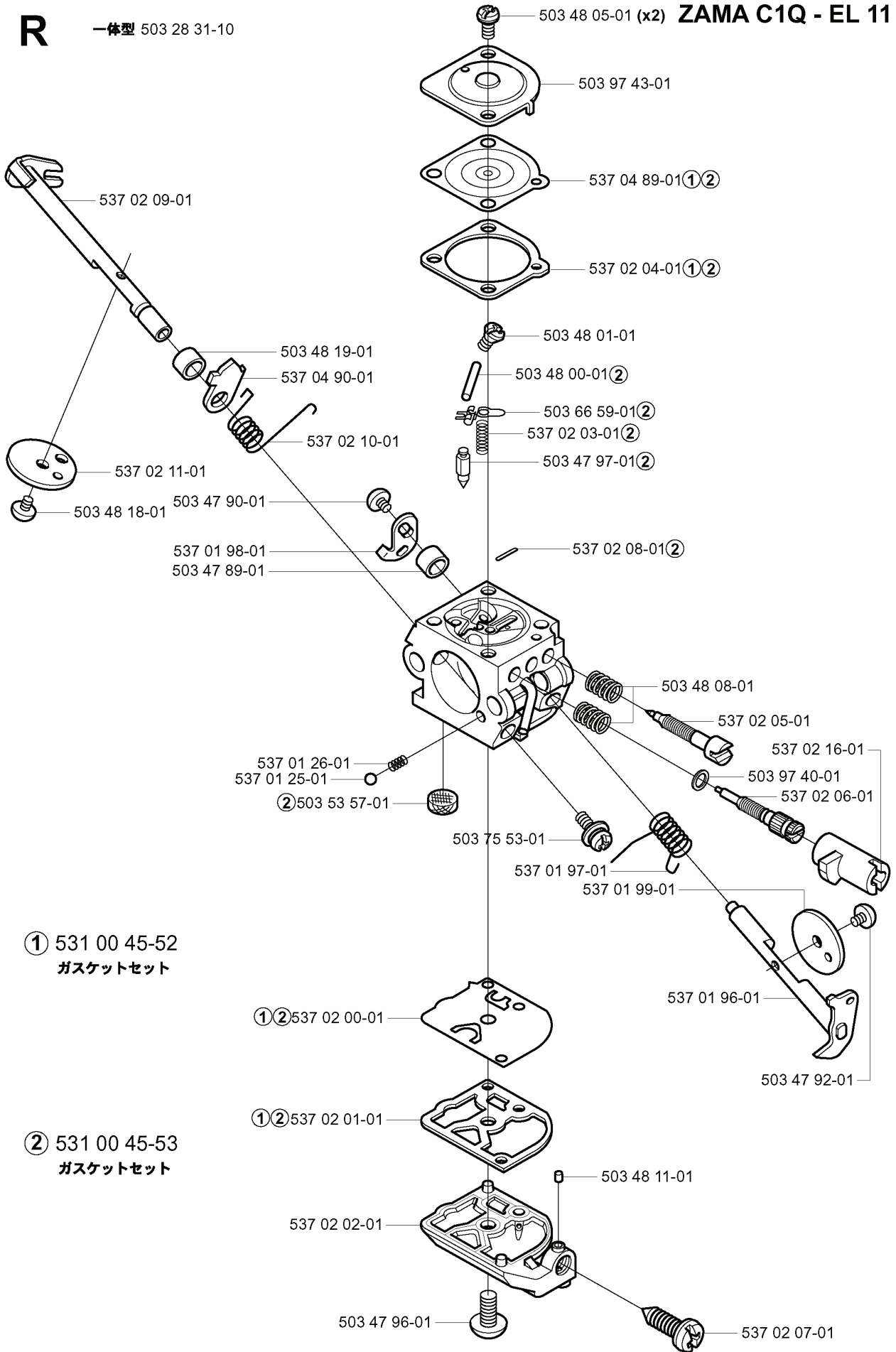


| REF. | PART NO. | DESCRIPTION | REMARK | QTY. | KIT |
|--------------|-----------|--------------------|---------|------|-----|
| 503 87 33-02 | 503873302 | BRIDGE | | 1 | |
| 735 31 08-20 | 735310820 | E-CLIP | | 1 | |
| 731 71 16-51 | 731711651 | HEXAGON NUT FLANGE | | 1 | |
| 503 21 77-16 | 503217716 | SCREW IH SCT | | 1 | |
| 503 87 36-01 | 503873601 | SPRING | | 1 | |
| 503 87 35-02 | 503873502 | STARTER PAWL | | 1 | |
| 503 96 49-01 | 503964901 | STARTER PULLEY | | 1 | |
| 537 03 41-01 | 537034101 | PROTECTIVE PLATE | 325 | 1 | |
| 503 21 66-20 | 503216620 | SCREW IH SCT | | 3 | |
| 503 21 68-20 | 503216820 | SCREW IH SCFT | | 1 | |
| 503 97 98-13 | 503979813 | DECAL | 325 T-X | 1 | |
| 503 97 98-19 | 503979819 | DECAL | 325 R-X | 1 | |
| 503 97 98-12 | 503979812 | DECAL | 322 T | 1 | |
| 503 97 98-03 | 503979803 | DECAL | 322 R | 1 | |
| 503 85 87-01 | 503858701 | STARTER HOUSING | | 1 | |
| 537 00 84-01 | 537008401 | STARTER HANDLE | | 1 | |
| 503 85 89-01 | 503858901 | STARTER ROPE | | 1 | |
| 503 85 28-01 | 503852801 | STARTER ASSY | | 1 | |

R

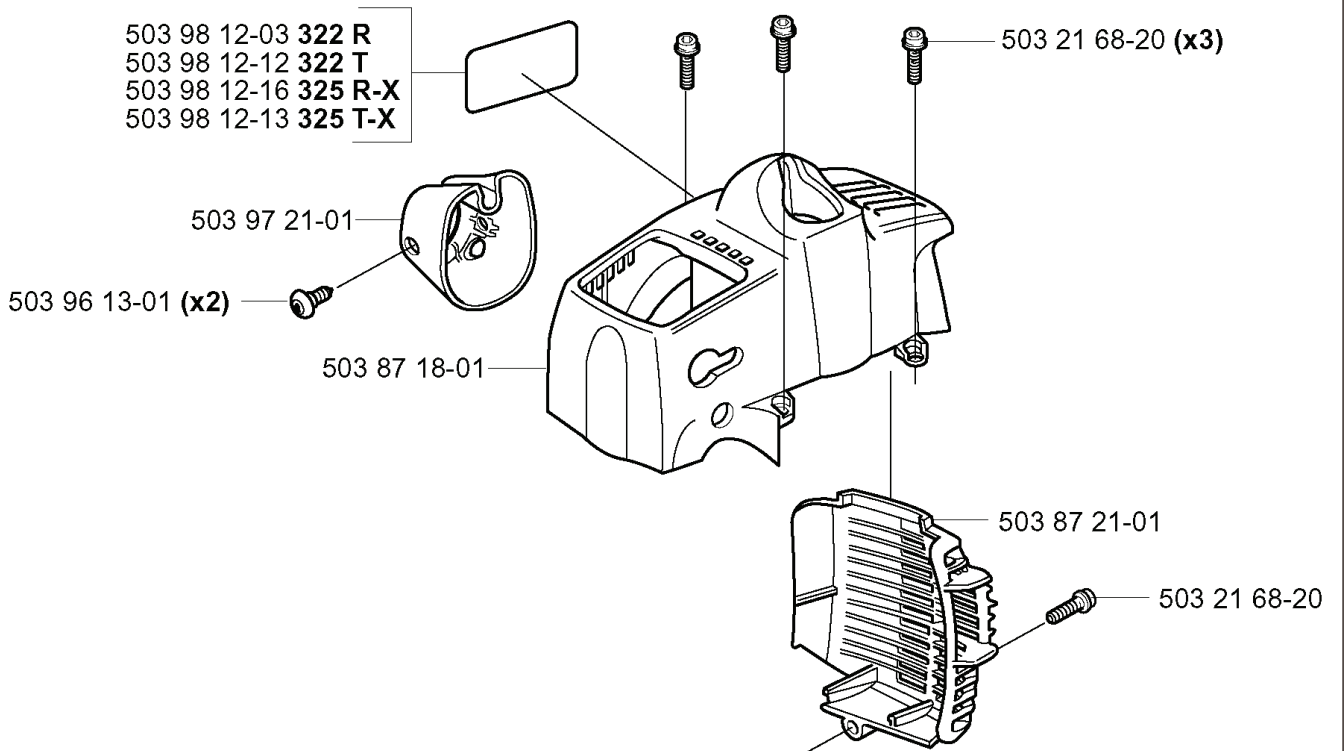
一体型 503 28 31-10

ZAMA C1Q - EL 11



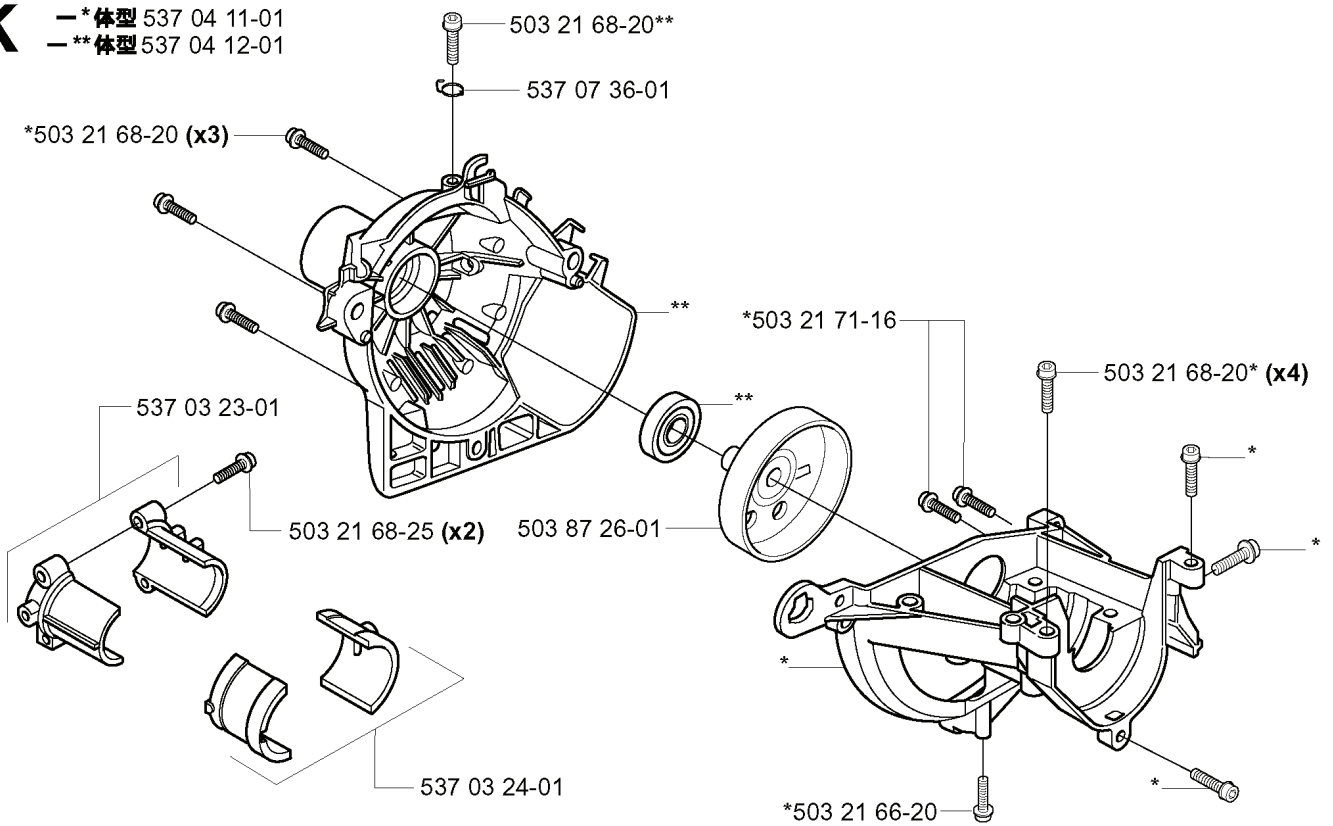
| REF. | PART NO. | DESCRIPTION | REMARK | QTY. | KIT |
|--------------|-----------|---------------------|---------------------------|------|-----|
| 503 28 31-10 | 503283110 | CARBURETTOR | | 1 | |
| 537 02 09-01 | 537020901 | SHAFT ASSY | | 1 | |
| 537 02 11-01 | 537021101 | VALVE | | 1 | |
| 503 47 90-01 | 503479001 | SCREW | | 1 | |
| 503 48 18-01 | 503481801 | SCREW | | 1 | |
| 537 01 98-01 | 537019801 | LEVER | | 1 | |
| 503 47 89-01 | 503478901 | COLLAR | | 1 | |
| 537 01 26-01 | 537012601 | SPRING | | 1 | |
| 537 01 25-01 | 537012501 | BALL | | 1 | |
| 503 53 57-01 | 503535701 | STRAINER | 531 00 45-53 | 1 | |
| 537 02 00-01 | 537020001 | DIAPHRAGM PUMP | 531 00 45-52 531 00 45-53 | 1 | |
| 537 02 01-01 | 537020101 | GASKET | 531 00 45-52 531 00 45-53 | 1 | |
| 537 02 02-01 | 537020201 | COVER | | 1 | |
| 503 47 96-01 | 503479601 | SCREW | | 1 | |
| 537 02 07-01 | 537020701 | SCREW | | 1 | |
| 503 48 11-01 | 503481101 | PIECE | | 1 | |
| 503 47 92-01 | 503479201 | SCREW | | 1 | |
| 537 01 96-01 | 537019601 | SHAFT ASSY | | 1 | |
| 537 01 99-01 | 537019901 | VALVE | | 1 | |
| 537 01 97-01 | 537019701 | SPRING | | 1 | |
| 503 75 53-01 | 503755301 | SCREW | | 1 | |
| 537 02 10-01 | 537021001 | SPRING | | 1 | |
| 537 04 90-01 | 537049001 | LEVER | | 1 | |
| 503 48 19-01 | 503481901 | COLLAR | | 1 | |
| 537 02 06-01 | 537020601 | SCREW | | 1 | |
| 503 97 40-01 | 503974001 | WASHER | | 1 | |
| 537 02 16-01 | 537021601 | LIMITER CAP | | 1 | |
| 537 02 05-01 | 537020501 | SCREW | | 1 | |
| 503 48 08-01 | 503480801 | SPRING | | 1 | |
| 537 02 08-01 | 537020801 | PLUG | 531 00 45-53 | 1 | |
| 503 47 97-01 | 503479701 | VALVE | 531 00 45-53 | 1 | |
| 537 02 03-01 | 537020301 | SPRING | 531 00 45-53 | 1 | |
| 503 66 59-01 | 503665901 | LEVER | 531 00 45-53 | 1 | |
| 503 48 00-01 | 503480001 | PIN RETAINING SCREW | 531 00 45-53 | 1 | |
| 503 48 01-01 | 503480101 | SCREW | | 1 | |
| 537 02 04-01 | 537020401 | GASKET | 531 00 45-52 531 00 45-53 | 1 | |
| 537 04 89-01 | 537048901 | DIAPHRAGM | 531 00 45-52 531 00 45-53 | 1 | |
| 503 97 43-01 | 503974301 | COVER | | 1 | |
| 503 48 05-01 | 503480501 | SCREW | | 2 | |

D



| REF. | PART NO. | DESCRIPTION | REMARK | QTY. | KIT |
|-------------|-----------|----------------|---------|------|-----|
| 50398 12-03 | 503981203 | LABEL | 322 R | 1 | |
| 50398 12-12 | 503981212 | LABEL | 322 T | 1 | |
| 50398 12-16 | 503981216 | LABEL | 325 R-X | 1 | |
| 50398 12-13 | 503981213 | LABEL | 325 T-X | 1 | |
| 50397 21-01 | 503972101 | COVER | | 1 | |
| 50396 13-01 | 503961301 | SCREW | | 2 | |
| 50387 18-01 | 503871801 | CYLINDER COVER | | 1 | |
| 50387 21-01 | 503872101 | HEAT PROTECTOR | | 1 | |
| 50321 68-20 | 503216820 | SCREW IHSCFT | | 3 | |

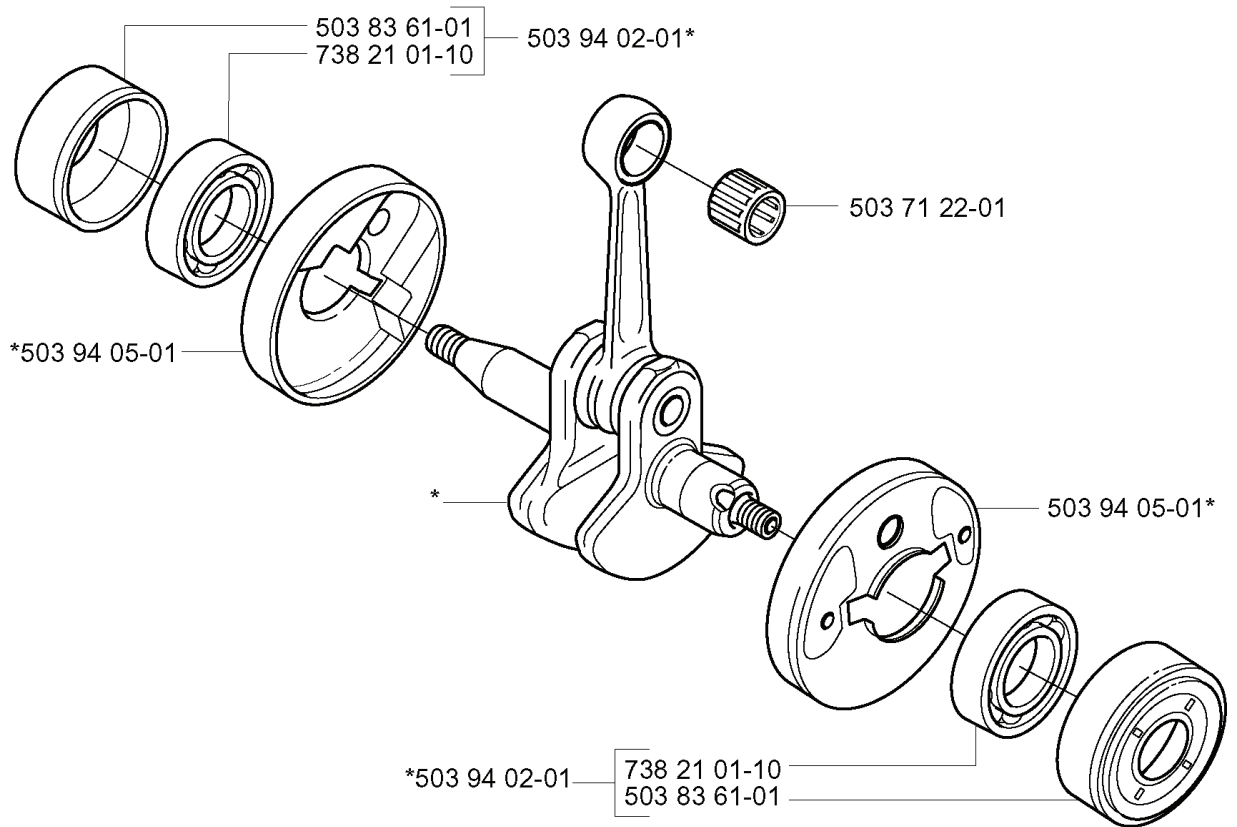
K —* 体型 537 04 11-01
—** 体型 537 04 12-01



| REF. | PART NO. | DESCRIPTION | REMARK | QTY. | KIT |
|--------------|-----------|----------------------|--------|------|-----|
| 537 04 11-01 | 537041101 | CRANKCASE | | 1 | |
| 537 04 12-01 | 537041201 | CLUTCH COVER | | 1 | |
| 537 03 23-01 | 537032301 | CLAMPING SLEEVE ASSY | | 1 | |
| 503 21 68-25 | 503216825 | SCREW IHSCFT | | 2 | |
| 537 03 24-01 | 537032401 | INSULATOR | | 1 | |
| 503 21 66-20 | 503216620 | SCREW IHSCFT | | 1 | |
| 503 87 26-01 | 503872601 | CLUTCH DRUM ASSY | | 1 | |
| 503 21 71-16 | 503217116 | SCREW IHSCFT | | 1 | |
| 537 07 36-01 | 537073601 | SPRING | | 1 | |
| 503 21 68-20 | 503216820 | SCREW IHSCFT | | 1 | |

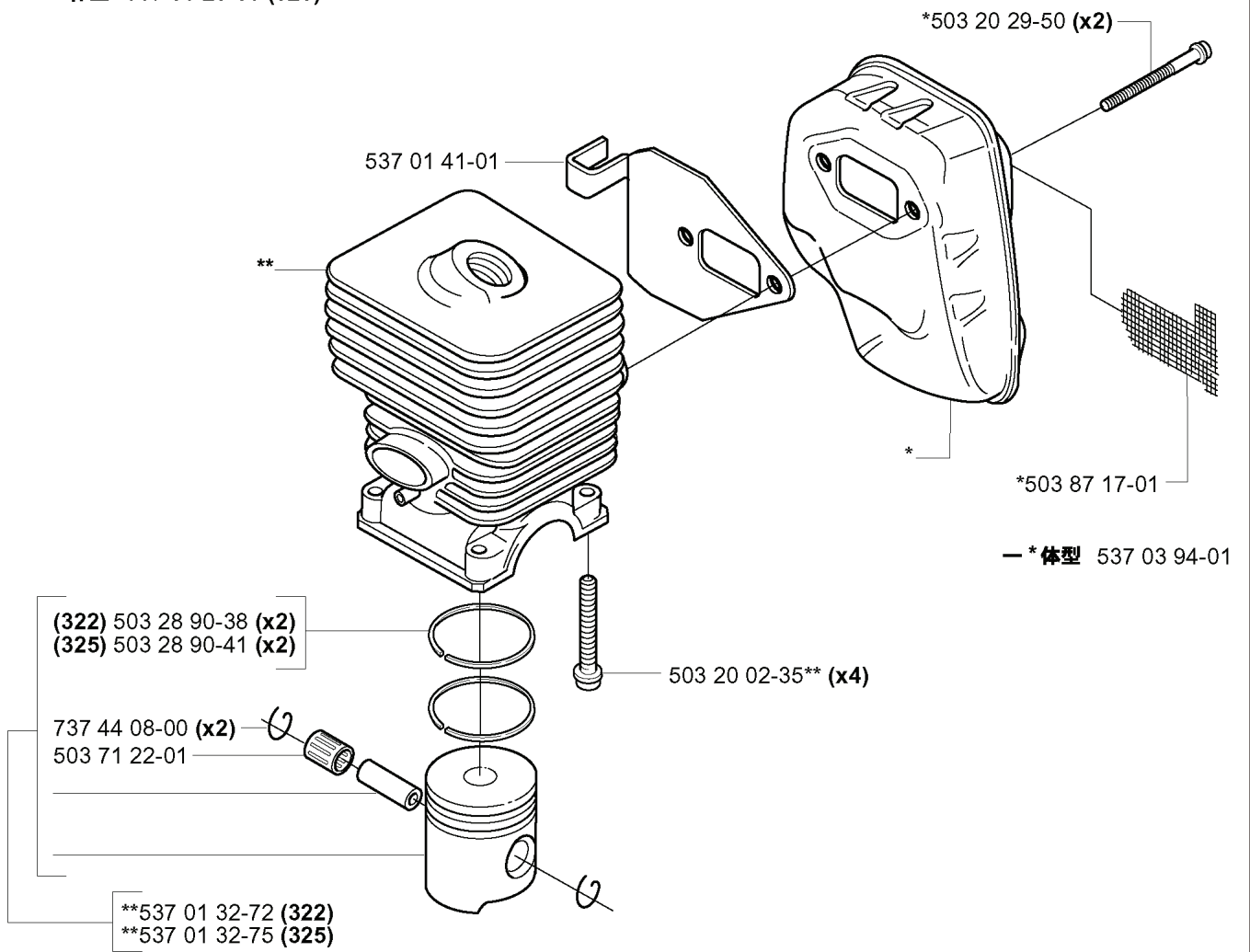


—*体型 503 85 24-73



| REF. | PART NO. | DESCRIPTION | REMARK | QTY. | KIT |
|--------------|-----------|-----------------|--------|------|-----|
| 503 85 24-73 | 503852473 | CRANKSHAFT ASSY | | 1 | |
| 738 21 01-10 | 738210110 | BALL BEARING | | 1 | |
| 503 94 05-01 | 503940501 | CUP | | 1 | |
| 503 94 02-01 | 503940201 | BEARING CAGE | | 1 | |
| 503 83 61-01 | 503836101 | BEARING CAGE | | 1 | |
| 503 71 22-01 | 503712201 | BEARING | | 1 | |

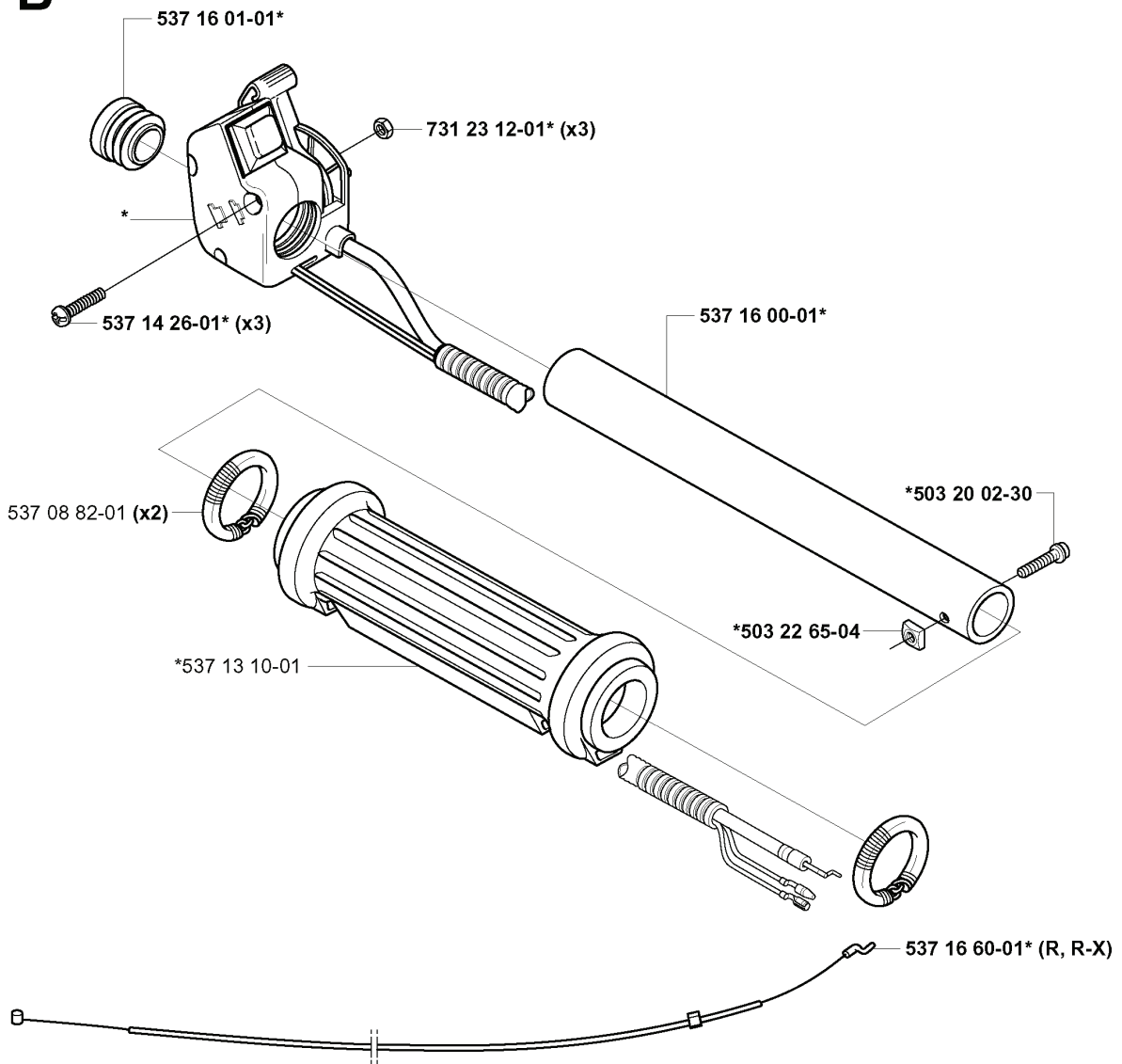
J —**体型 537 03 20-02 (322)
 —**体型 537 03 20-05 (325)



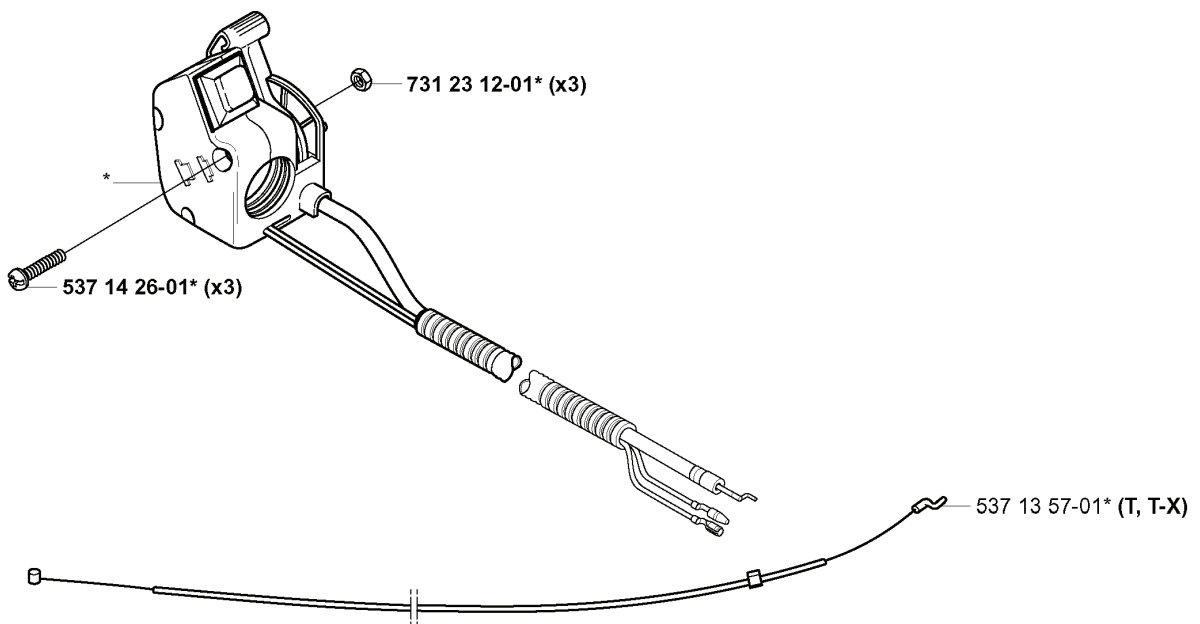
| REF. | PART NO. | DESCRIPTION | REMARK | QTY. | KIT |
|--------------|-----------|-----------------------|--------|------|-----|
| 537 03 20-02 | 537032002 | PISTON | 322 | 1 | |
| 537 03 20-05 | 537032005 | PISTON | 325 | 1 | |
| 537 01 41-01 | 537014101 | GASKET | | 1 | |
| 503 28 90-38 | 503289038 | PISTON RING | 322 | 2 | |
| 503 28 90-41 | 503289041 | PISTON RING | 325 | 2 | |
| 737 44 08-00 | 737440800 | CIRCLIP | | 2 | |
| 503 71 22-01 | 503712201 | BEARING | | 1 | |
| 537 01 32-72 | 537013272 | PISTON | 322 | 1 | |
| 537 01 32-75 | 537013275 | PISTON | 325 | 1 | |
| 503 20 02-35 | 503200235 | SCREW IHSCFM | | 4 | |
| 537 03 94-01 | 537039401 | MUFFLER ASSY | | 1 | |
| 503 87 17-01 | 503871701 | SPARK ARRESTER SCREEN | | 1 | |
| 503 20 29-50 | 503202950 | SCREW IHSCFM | | 2 | |

B

— * 体型 537 13 91-01 (R, R-X)



— * 体型 537 13 58-01 (T, T-X)



| REF. | PART NO. | DESCRIPTION | REMARK | QTY. | KIT |
|--------------|-----------|----------------|--------|------|-----|
| 537 13 91-01 | 537139101 | WIRING | R, R-X | 1 | |
| 537 16 01-01 | 537160101 | PLUG | | 1 | |
| 537 14 26-01 | 537142601 | SCREW | | 3 | |
| 537 13 57-01 | 537135701 | THROTTLE CABLE | | 1 | |
| 537 08 82-01 | 537088201 | SPRING | | 2 | |
| 537 13 10-01 | 537131001 | HANDLE | | 1 | |
| 537 13 58-01 | 537135801 | WIRING | | 1 | |
| 537 16 60-01 | 537166001 | THROTTLE CABLE | R, R-X | 1 | |
| 503 22 65-04 | 503226504 | SQUARE NUT | | 1 | |
| 503 20 02-30 | 503200230 | SCREW IHSCFM | | 1 | |
| 537 16 00-01 | 537160001 | PIPE | | 1 | |
| 731 23 12-01 | 731231201 | HEXAGON NUT | | 3 | |