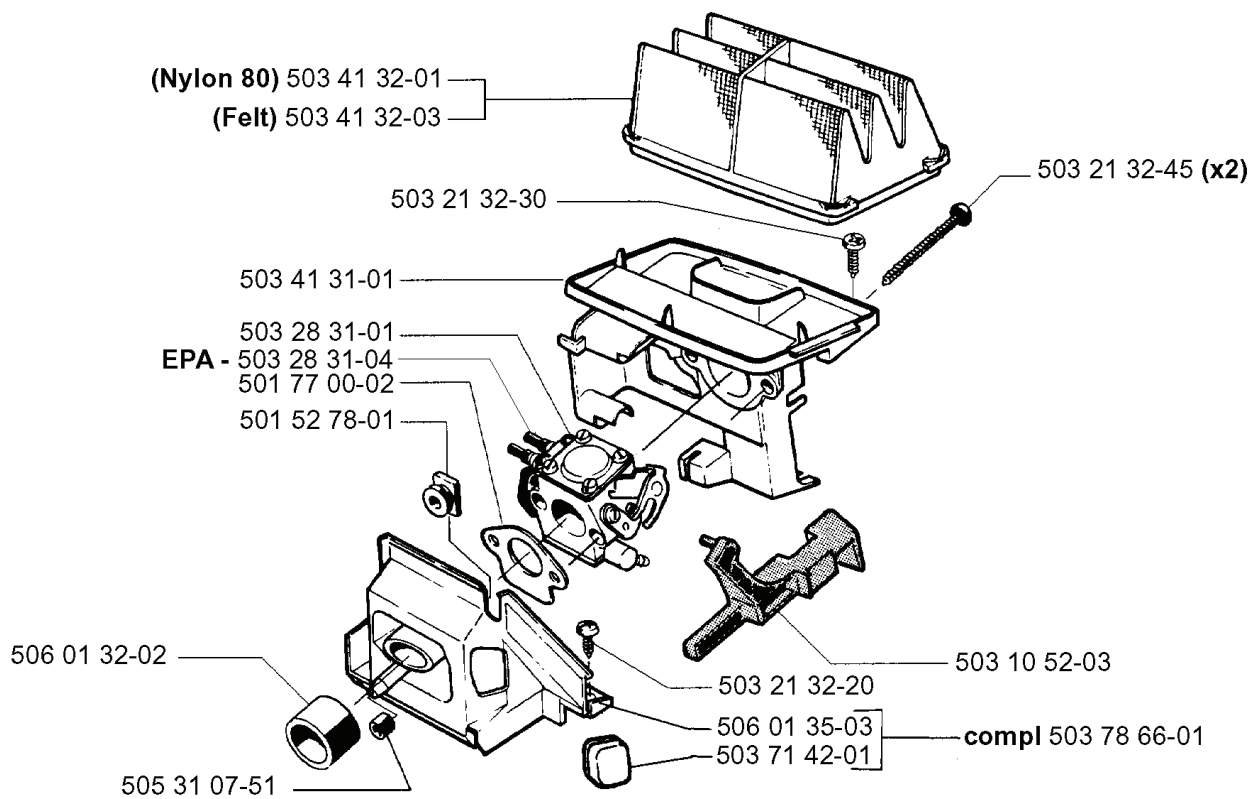


45 EPA, 20013500001-Current

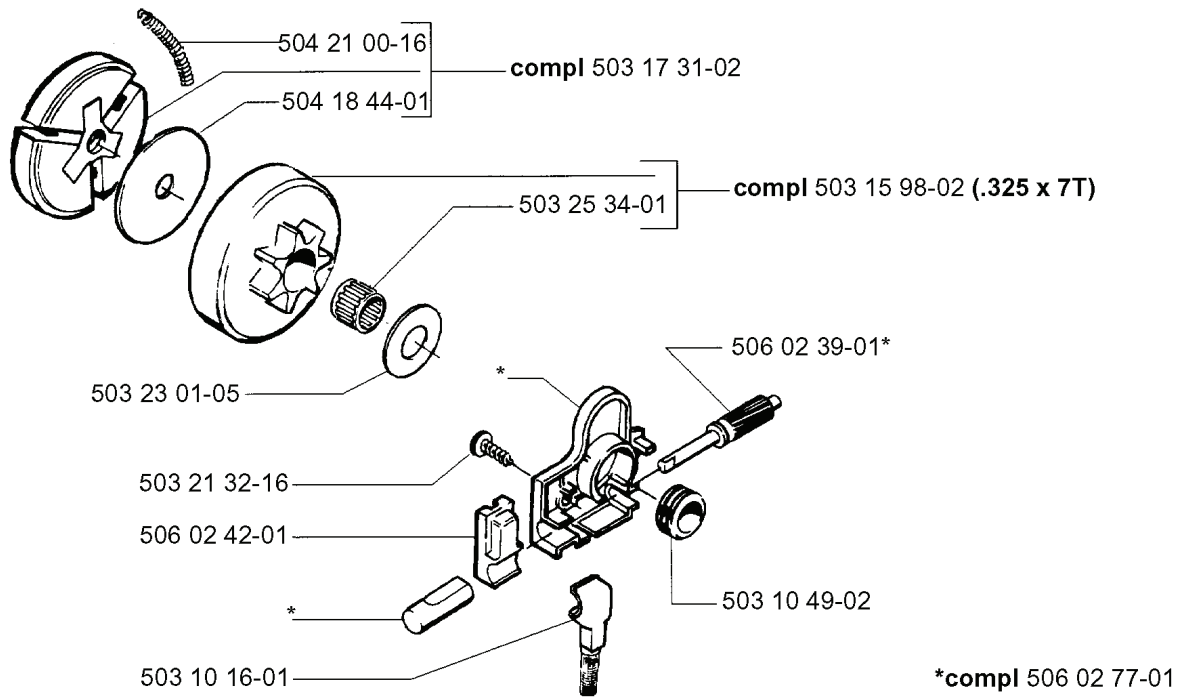
SPARE PARTS LIST

D



REF.	PART NO.	DESCRIPTION	REMARK	QTY.	KIT
503 41 32-01	503413201	AIR FILTER	NYLON 80	1	
503 41 32-03	503413203	AIR FILTER	FELT	1	
503 21 32-30	503213230	SCREW CITXPANT		1	
503 41 31-01	503413101	AIR FILTER HOLDER		1	
503 28 31-01	503283101	CARBURETTOR		1	
503 28 31-04	503283104	CARBURETTOR	EPA	1	
501 77 00-02	501770002	GASKET		1	
501 52 78-01	501527801	GROMMET		1	
506 01 32-02	506013202	INLET PIPE		1	
505 31 07-51	505310751	IMPULSE HOSE		1	
503 71 42-01	503714201	PLUG		1	
506 01 35-03	506013503	INSULATION WALL		1	
503 21 32-20	503213220	SCREW CITXPANT		1	
503 10 52-03	503105203	CHOKE CONTROL		1	
503 78 66-01	503786601	KIT		1	
503 21 32-45	503213245	SCREW CITXPANT		2	

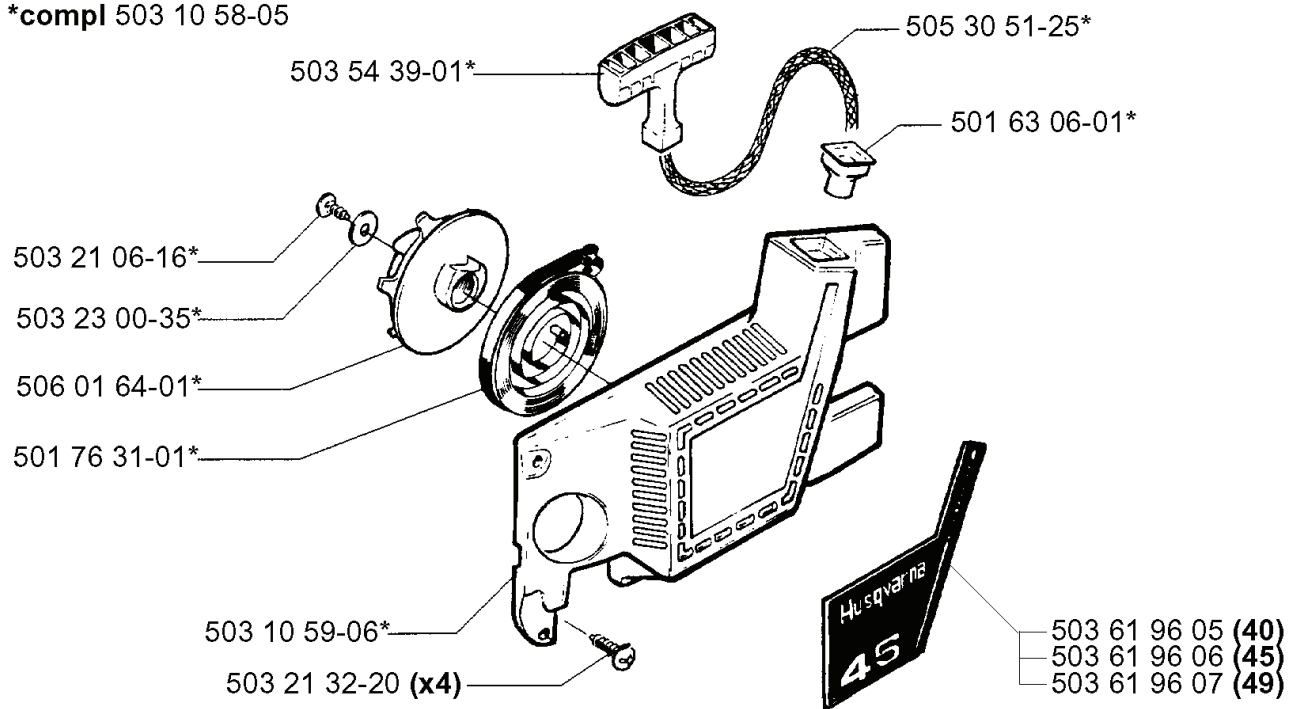
J



REF.	PART NO.	DESCRIPTION	REMARK	QTY.	KIT
504 21 00-16	504210016	CLUTCH SPRING		1	
504 18 44-01	504184401	WASHER		1	
503 23 01-05	503230105	WASHER		1	
503 21 32-16	503213216	SCREW CITXPANT		1	
506 02 42-01	506024201	PRESSURE PIPE		1	
503 10 16-01	503101601	SUCTION HOSE ASSY		1	
503 10 49-02	503104902	PUMP PINION		1	
506 02 77-01	506027701	OIL PUMP ASSY		1	
506 02 39-01	506023901	PUMP PISTON		1	
503 15 98-02	503159802	CLUTCH DRUM	.325 X 7T	1	
503 25 34-01	503253401	NEEDLE BEARING		1	
503 17 31-02	503173102	CLUTCH		1	

L

*compl 503 10 58-05

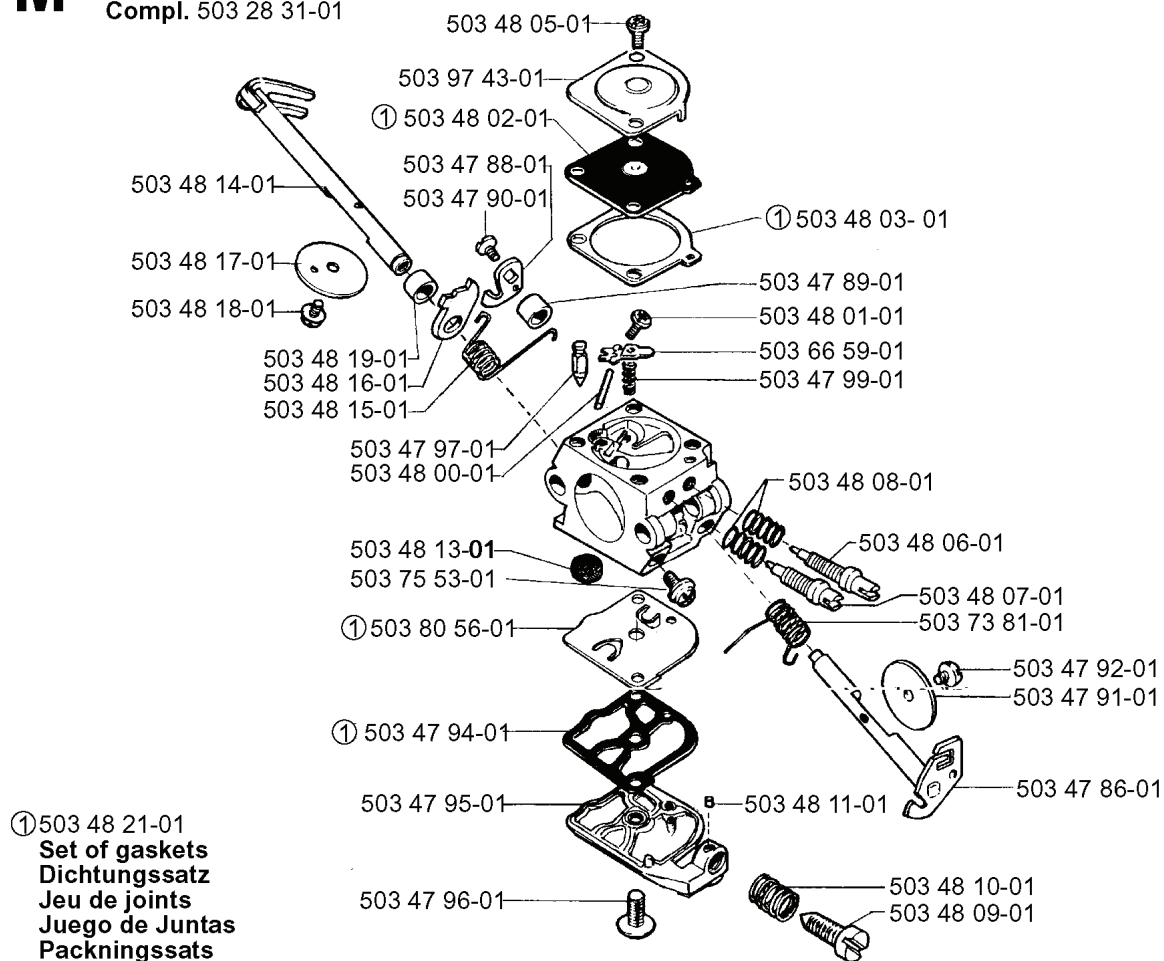


REF.	PART NO.	DESCRIPTION	REMARK	QTY.	KIT
503 10 58-05	503105805	STARTER ASSY		1	
503 54 39-01	503543901	STARTER HANDLE		1	
503 21 06-16	503210616	SCREW IHSCT		1	
503 23 00-35	503230035	WASHER		1	
506 01 64-01	506016401	STARTER PULLEY		1	
501 76 31-01	501763101	SPRING CASSETTE ASSY		1	
503 10 59-06	503105906	STARTER HOUSING		1	
503 21 32-20	503213220	SCREW CITXPANT		4	
503 61 96 07	503619607	LABEL	49	1	
503 61 96 06	503619606	LABEL	45	1	
503 61 96 05	503619605	LABEL	40	1	
501 63 06-01	501630601	SLEEVE		1	
505 30 51-25	505305125	STARTER ROPE		1	

M

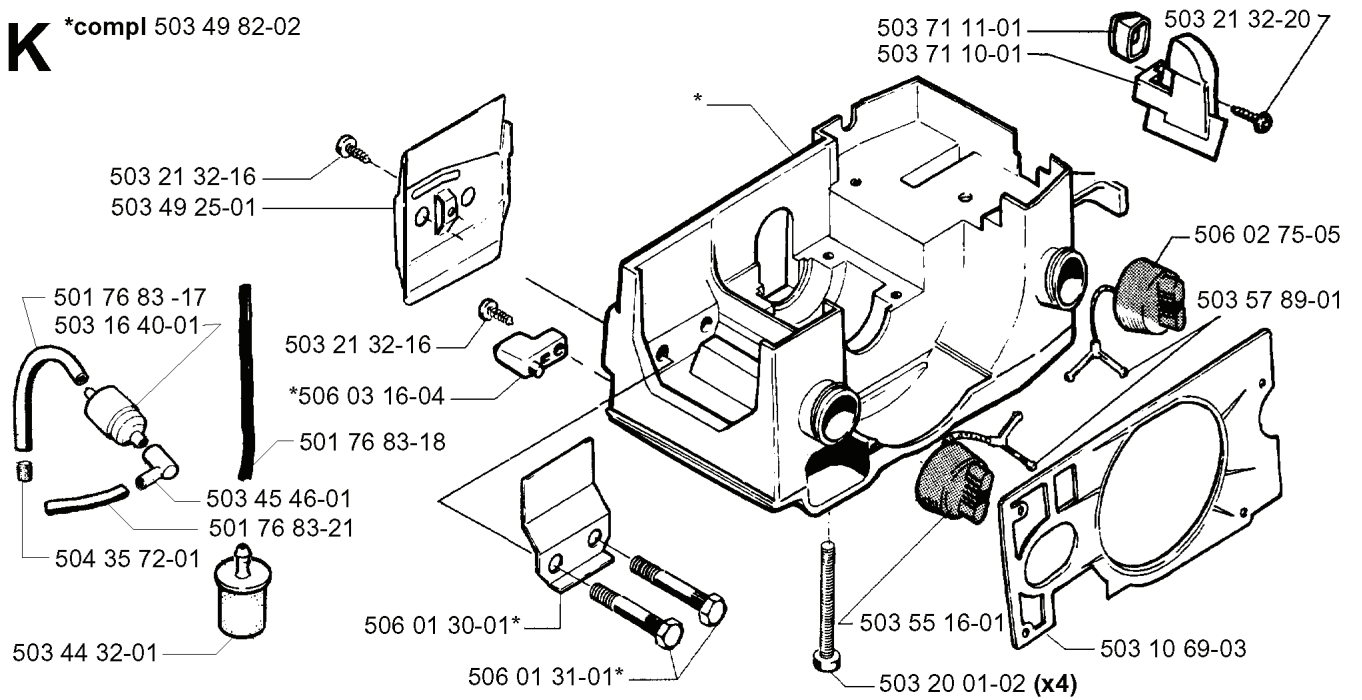
ZAMA C1Q - EL 1

Compl. 503 28 31-01



REF.	PART NO.	DESCRIPTION	REMARK	QTY.	KIT
503 28 31-01	503283101	CARBURETTOR		1	
503 48 14-01	503481401	SHAFT ASSY		1	
503 48 17-01	503481701	VALVE		1	
503 48 18-01	503481801	SCREW		1	
503 48 19-01	503481901	COLLAR		1	
503 48 16-01	503481601	LEVER		1	
503 48 15-01	503481501	SPRING		1	
503 47 97-01	503479701	VALVE		1	
503 48 00-01	503480001	PIN RETAINING SCREW		1	
503 48 13-01	503481301	STRAINER		1	
503 75 53-01	503755301	SCREW		1	
503 80 56-01	503805601	DIAPHRAGM PUMP	503 48 21-01 SET OF GASKETS	1	
503 47 94-01	503479401	GASKET	503 48 21-01 SET OF GASKETS	1	
503 47 95-01	503479501	COVER		1	
503 47 96-01	503479601	SCREW		1	
503 48 09-01	503480901	SCREW		1	
503 48 10-01	503481001	SPRING		1	
503 48 11-01	503481101	PIECE		1	
503 47 86-01	503478601	SHAFT ASSY		1	
503 47 91-01	503479101	VALVE		1	
503 47 92-01	503479201	SCREW		1	
503 73 81-01	503738101	RECOIL SPRING		1	
503 48 07-01	503480701	SCREW		1	
503 48 06-01	503480601	SCREW		1	
503 48 08-01	503480801	SPRING		1	
503 47 99-01	503479901	SPRING		1	
503 66 59-01	503665901	LEVER		1	
503 48 01-01	503480101	SCREW		1	
503 47 89-01	503478901	COLLAR		1	
503 48 03-01	503480301	GASKET	503 48 21-01 SET OF GASKETS	1	
503 47 90-01	503479001	SCREW		1	
503 47 88-01	503478801	LEVER		1	
503 48 02-01	503480201	DIAPHRAGM	503 48 21-01 SET OF GASKETS	1	
503 97 43-01	503974301	COVER		1	
503 48 05-01	503480501	SCREW		1	

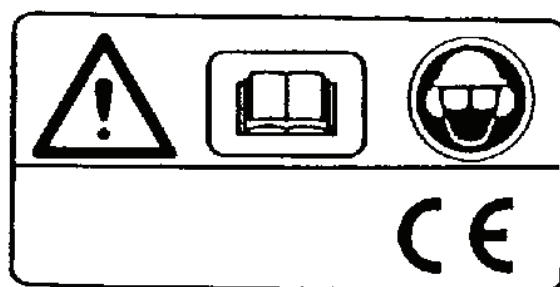
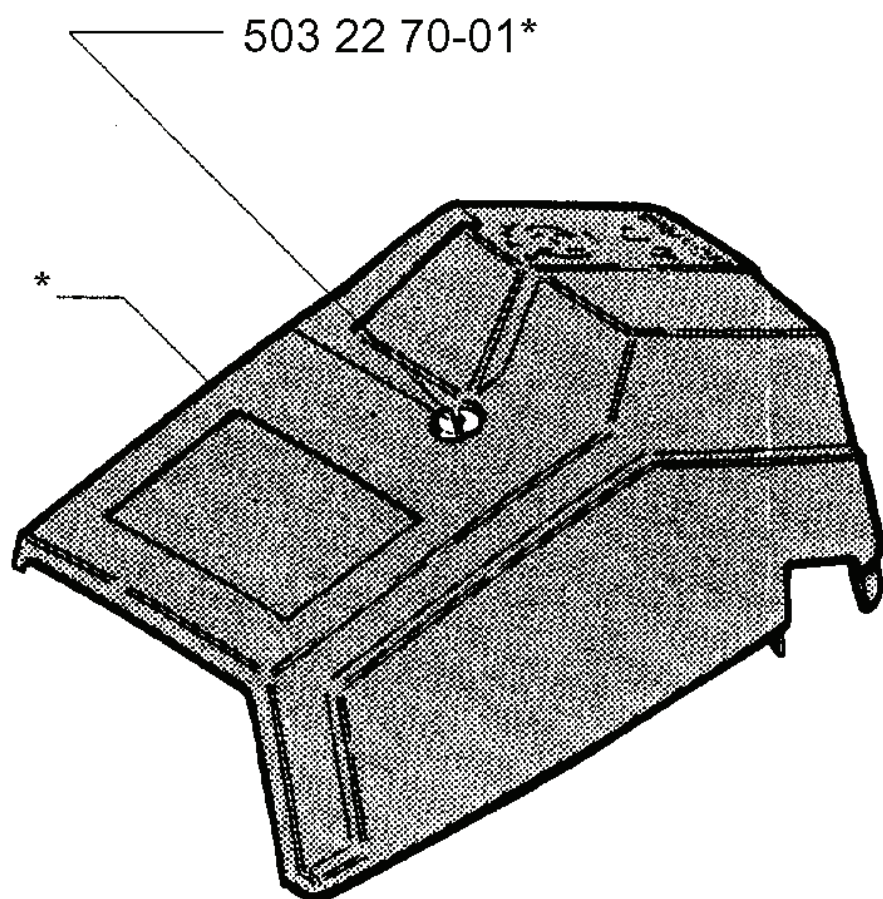
K *compl 503 49 82-02



REF.	PART NO.	DESCRIPTION	REMARK	QTY.	KIT
503 49 82-02	503498202	TANK ASSY		1	
503 49 25-01	503492501	CHAIN GUIDE PLATE		1	
501 76 83-17	501768317	FUEL HOSE		1	
503 16 40-01	503164001	TANK VENT		1	
504 35 72-01	504357201	PLUG		1	
503 44 32-01	503443201	FUEL FILTER		1	
501 76 83-21	501768321	FUEL HOSE		1	
503 45 46-01	503454601	CONNECTION BEND		1	
501 76 83-18	501768318	FUEL HOSE		1	
506 03 16-04	506031604	CHAIN CATCHER		1	
503 21 32-16	503213216	SCREW CITXPANT		1	
506 01 30-01	506013001	HEAT PROTECTOR		1	
506 01 31-01	506013101	BAR BOLT		1	
503 20 01-02	503200102	SCREW EHHFMO		4	
503 55 16-01	503551601	TANK CAP ASSY		1	
503 10 69-03	503106903	BAR		1	
503 57 89-01	503578901	HOLDER		1	
506 02 75-05	506027505	TANK CAP ASSY		1	
503 21 32-20	503213220	SCREW CITXPANT		1	
503 71 10-01	503711001	NOZZLE		1	
503 71 11-01	503711101	GROMMET		1	

B

*compl 503 50 20-06 (USA)

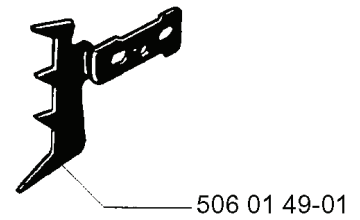
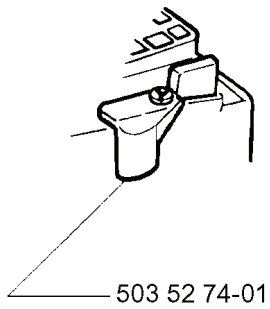
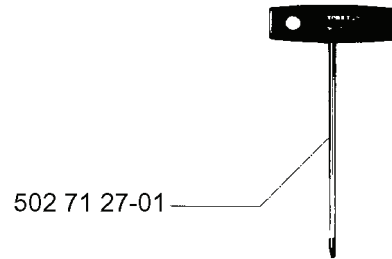
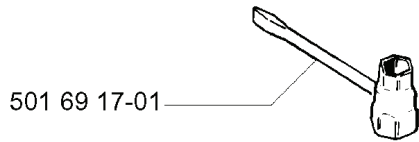
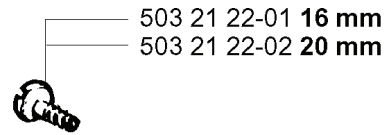
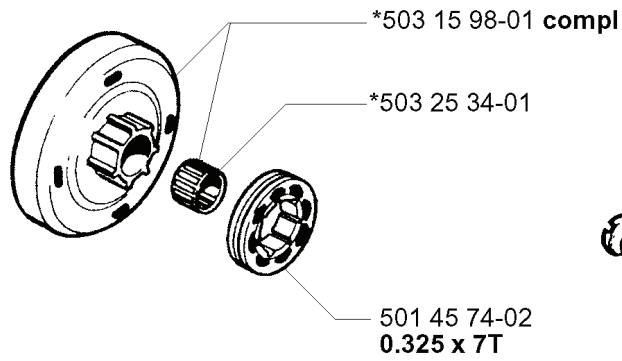


503 98 74-01*

REF.	PART NO.	DESCRIPTION	REMARK	QTY.	KIT
503 50 20-06	503502006	CYLINDER COVER ASSY	USA	1	
503 22 70-01	503227001	NUT		1	
503 98 74-01	503987401	LABEL		1	

P

Accessories
Zubehöre
Accessoires
Acessorios
Tillbehör



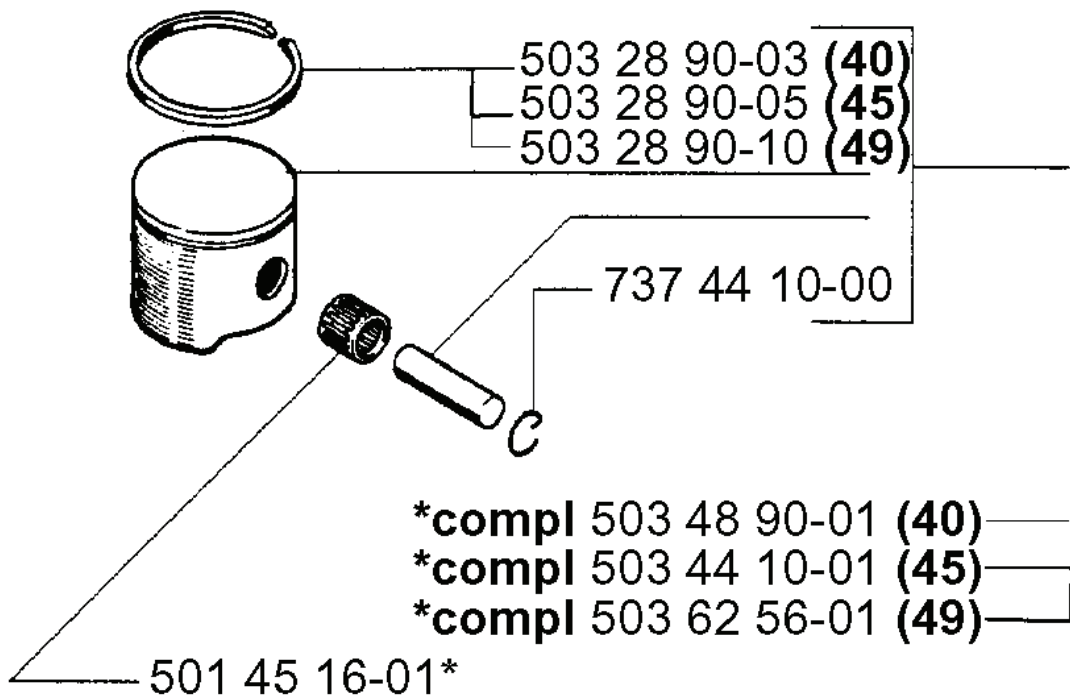
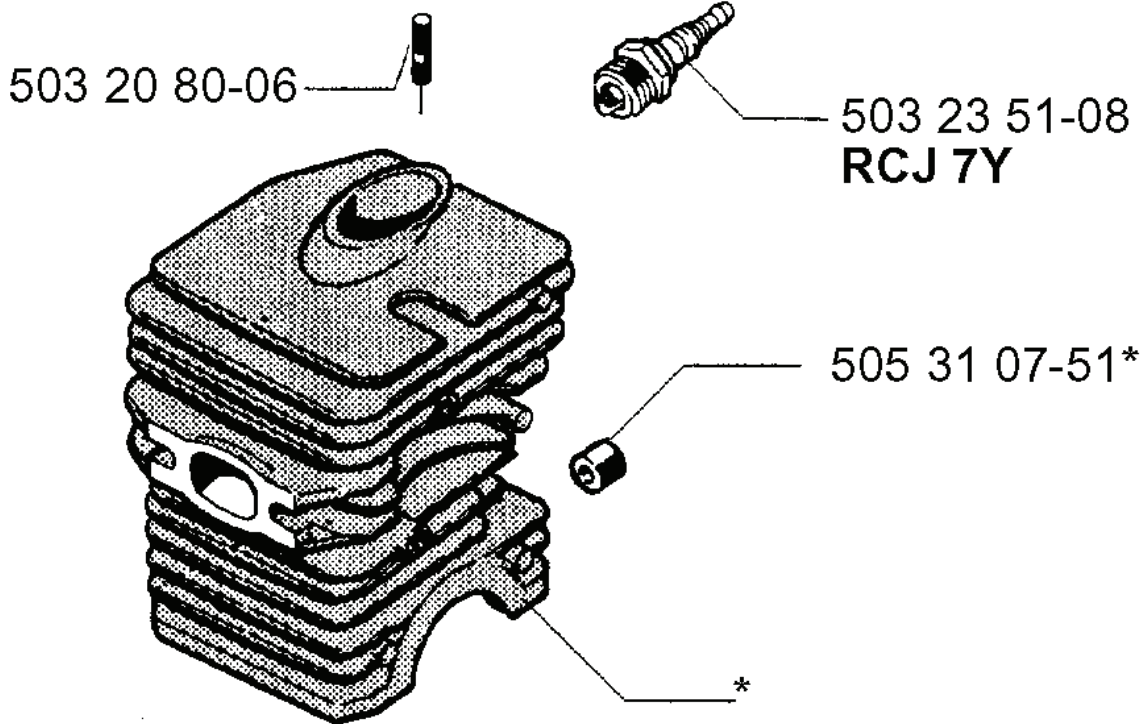
REF.	PART NO.	DESCRIPTION	REMARK	QTY.	KIT
5016917-01	501691701	COMBINATION WRENCH		1	
5035274-01	503527401	PEN		1	
5060239-02	506023902	PUMP PISTON	VEG. OIL	1	
5060149-01	506014901	SPIKE		1	
5027127-01	502712701	WRENCH		1	
5014574-02	501457402	RIM	0.325 X 7T	1	
5032534-01	503253401	NEEDLE BEARING		1	
5031598-01	503159801	CLUTCH DRUM		1	
5032122-02	503212202	SCREW SLPANT	20 MM	1	
5032122-01	503212201	SCREW SLPANT	16 MM	1	

C

***compl 506 01 06-07 (40)**

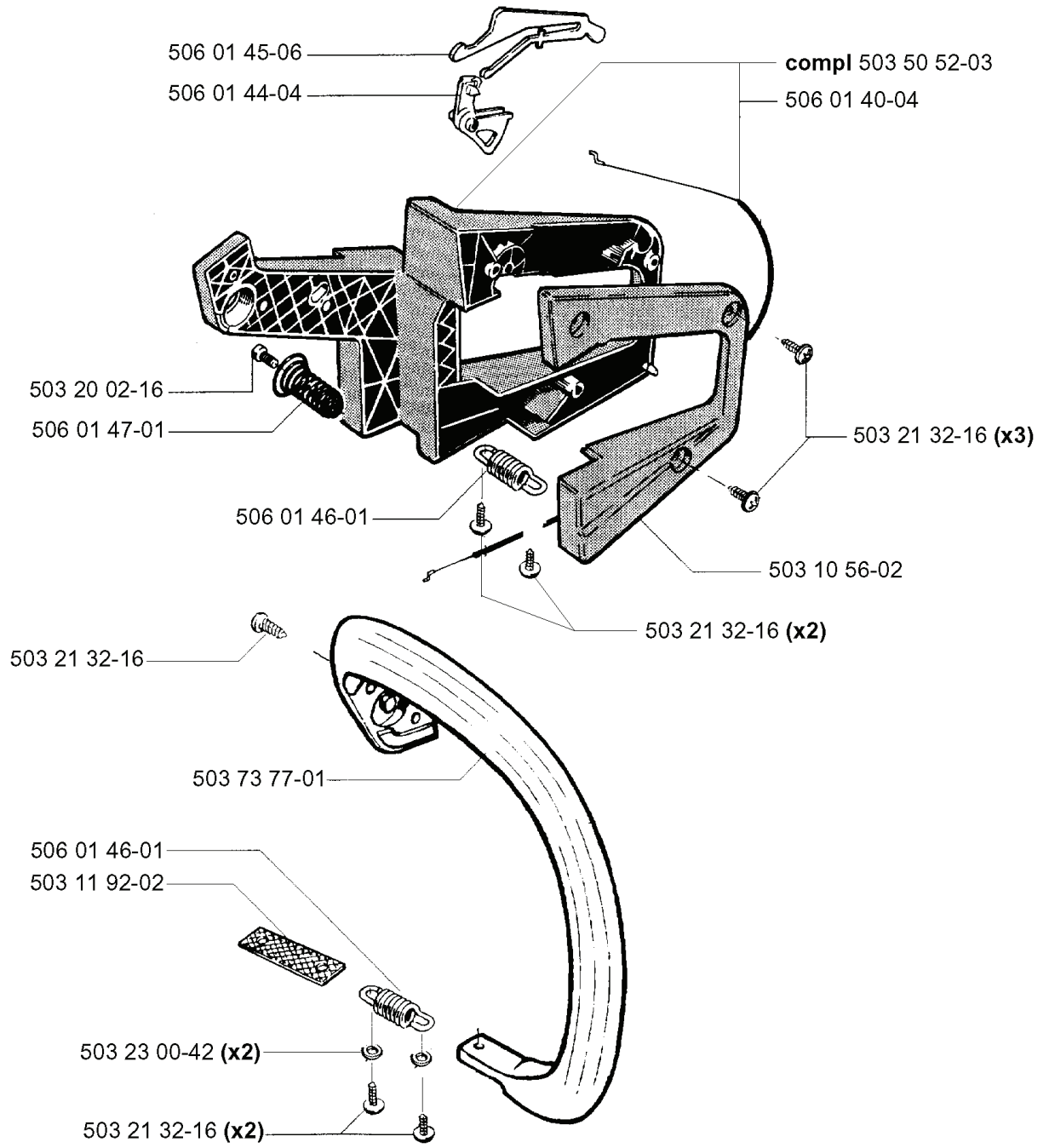
***compl 503 44 08-02 (45)**

***compl 503 62 55-02 (49)**



REF.	PART NO.	DESCRIPTION	REMARK	QTY.	KIT
506 01 06-07	506010607	CYLINDER ASSY	40	1	
503 44 08-02	503440802	CYLINDER ASSY	45	1	
503 62 55-02	503625502	CYLINDER ASSY	49	1	
503 20 80-06	503208006	SCREW		1	
503 28 90-03	503289003	PISTON RING	40	1	
503 28 90-05	503289005	PISTON RING	45	1	
503 28 90-10	503289010	PISTON RING	49	1	
737 44 10-00	737441000	SNAP RING		1	
503 48 90-01	503489001	PISTON ASSY	40	1	
503 44 10-01	503441001	PISTON ASSY	45	1	
503 62 56-01	503625601	PISTON ASSY	49	1	
501 45 16-01	501451601	NEEDLE BEARING		1	
505 31 07-51	505310751	IMPULSE HOSE		1	
503 23 51-08	503235108	SPARK PLUG	RCJ 7Y	1	

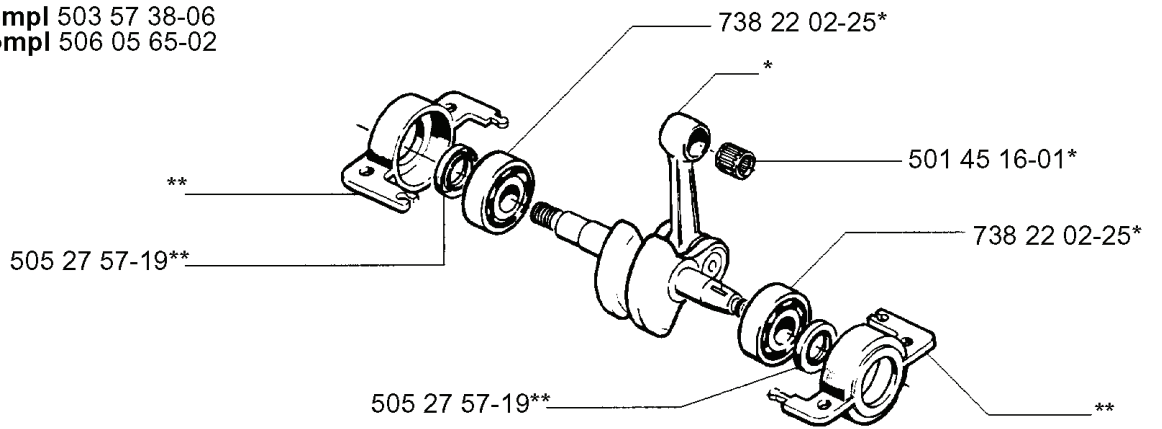
E



REF.	PART NO.	DESCRIPTION	REMARK	QTY.	KIT
506 01 45-06	506014506	THROTTLE LOCKOUT		1	
506 01 44-04	506014404	THROTTLE TRIGGER		1	
503 20 02-16	503200216	SCREW IHSCFM		1	
506 01 47-01	506014701	ANTIVIBRATION ELEMENT		1	
503 73 77-01	503737701	FRONT HANDLE		1	
506 01 46-01	506014601	ANTIVIBRATION ELEMENT		1	
503 11 92-02	503119202	STRAP		1	
503 23 00-42	503230042	WASHER		2	
503 21 32-16	503213216	SCREW CITXPANT		2	
503 10 56-02	503105602	HANDLE HALF		1	
506 01 40-04	506014004	THROTTLE CABLE		1	
503 50 52-03	503505203	HANDLE HALF		1	

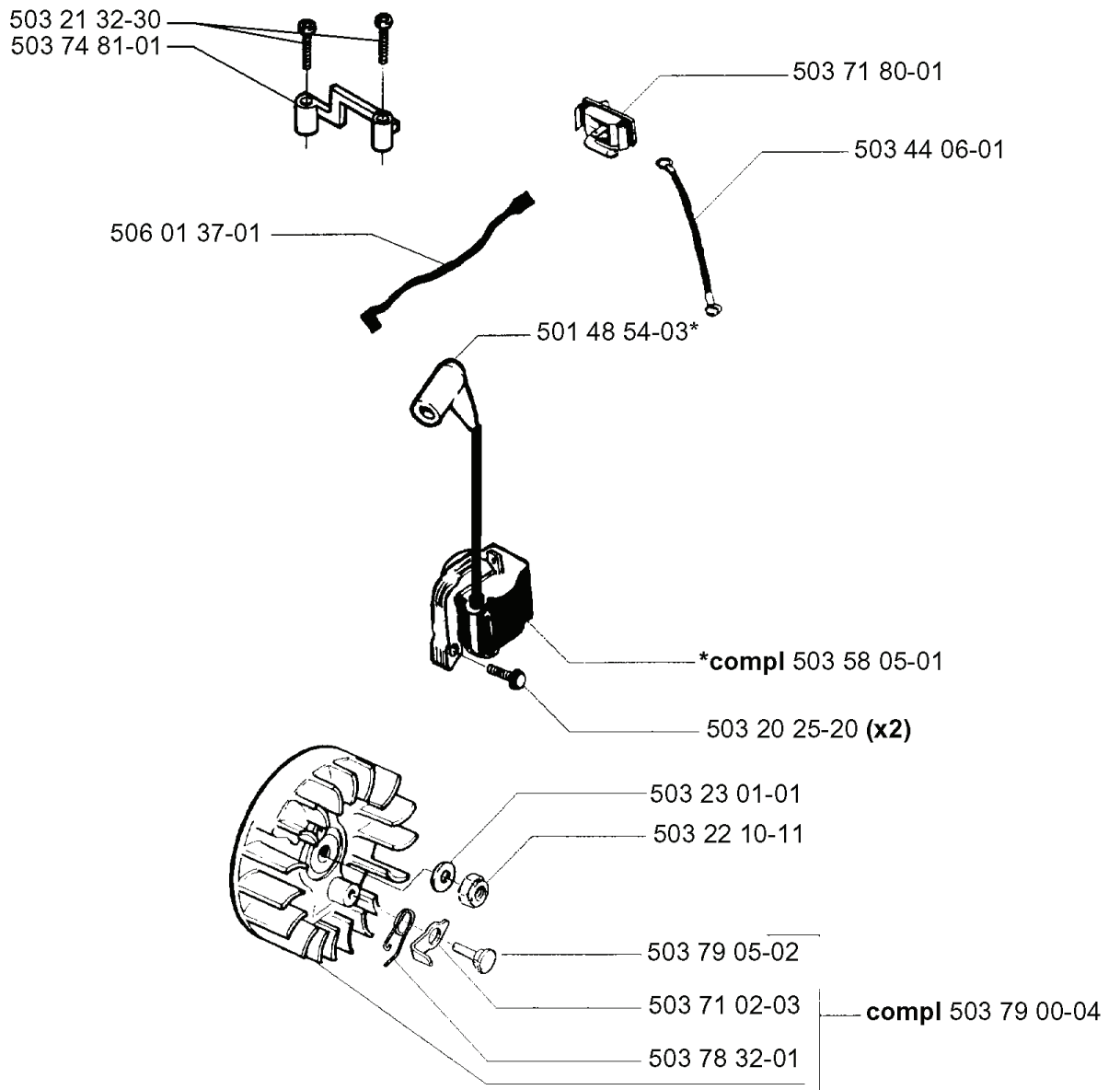
G

*compl 503 57 38-06
**compl 506 05 65-02



REF.	PART NO.	DESCRIPTION	REMARK	QTY.	KIT
503 57 38-06	503573806	CRANKSHAFT ASSY		1	
506 05 65-02	506056502	SEAL		1	
505 27 57-19	505275719	SEALING RING		1	
501 45 16-01	501451601	NEEDLE BEARING		1	
738 22 02-25	738220225	BALL BEARING		1	

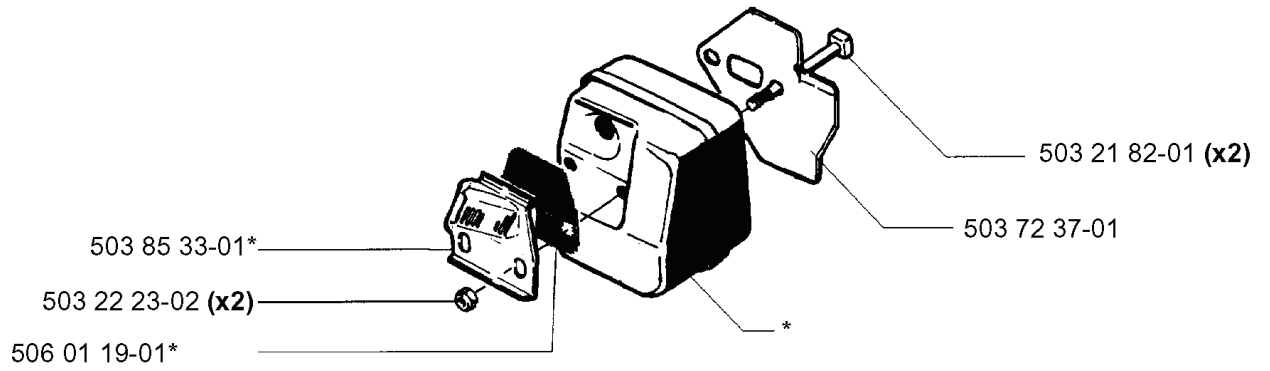
H



REF.	PART NO.	DESCRIPTION	REMARK	QTY.	KIT
503 21 32-30	503213230	SCREW CITXPANT		1	
503 74 81-01	503748101	CLAMP		1	
506 01 37-01	506013701	CABLE		1	
503 58 05-01	503580501	IGNITION MODULE		1	
503 20 25-20	503202520	SCREW IHSCM		2	
503 23 01-01	503230101	WASHER		1	
503 22 10-11	503221011	HEXAGON NUT		1	
503 79 05-02	503790502	RIVET		1	
503 71 02-03	503710203	STARTER PAWL		1	
503 78 32-01	503783201	SPRING		1	
503 79 00-04	503790004	FLYWHEEL		1	
501 48 54-03	501485403	SPARK PLUG CAP		1	
503 44 06-01	503440601	GROUND CABLE		1	
503 71 80-01	503718001	STOP SWITCH		1	

F

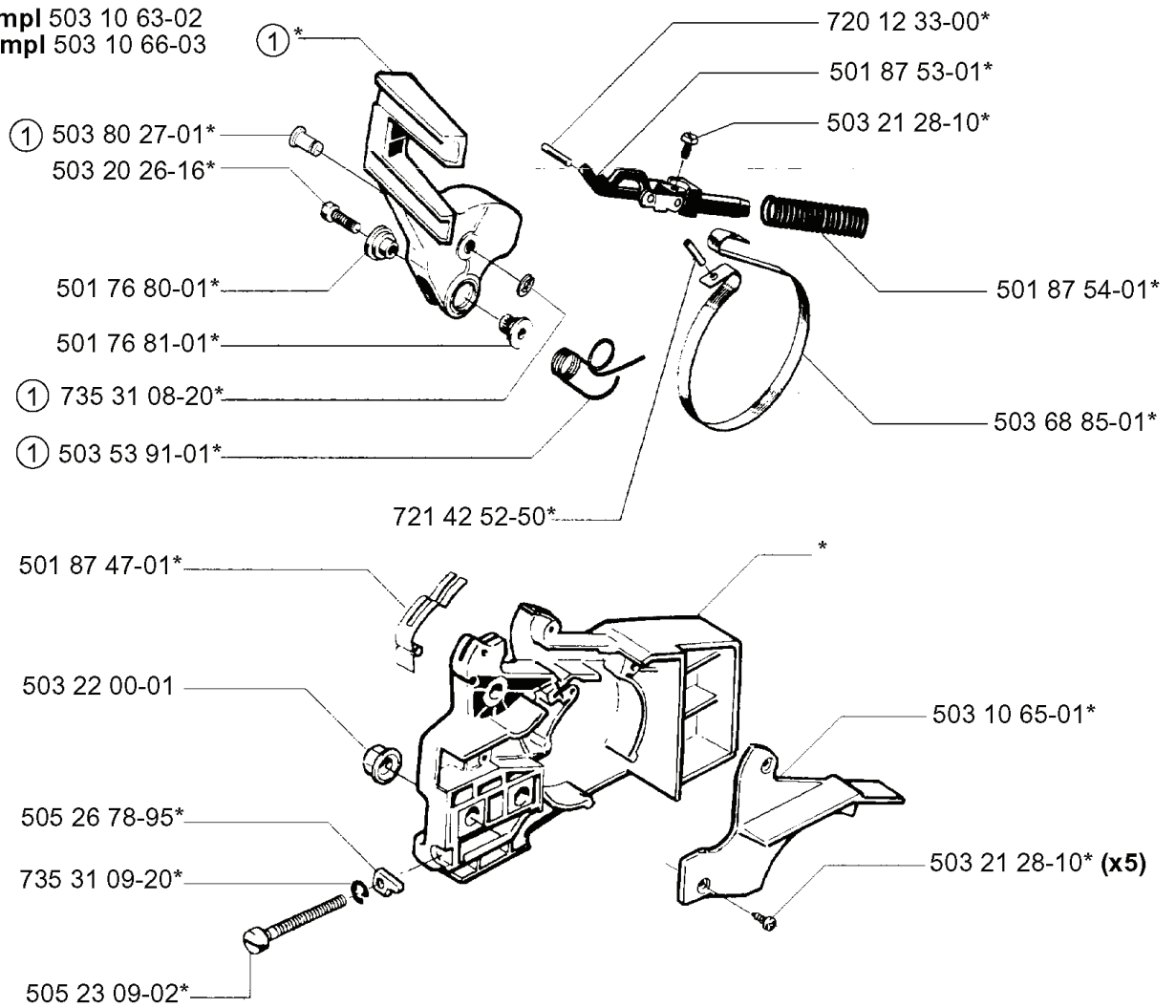
*compl 503 59 51-03



REF.	PART NO.	DESCRIPTION	REMARK	QTY.	KIT
5035951-03	503595103	MUFFLER KIT		1	
5038533-01	503853301	EXHAUST DUCT		1	
5032223-02	503222302	LOCK NUT		2	
5060119-01	506011901	SPARK ARRESTER		1	
5037237-01	503723701	PLATE		1	
5032182-01	503218201	SCREW		2	

A

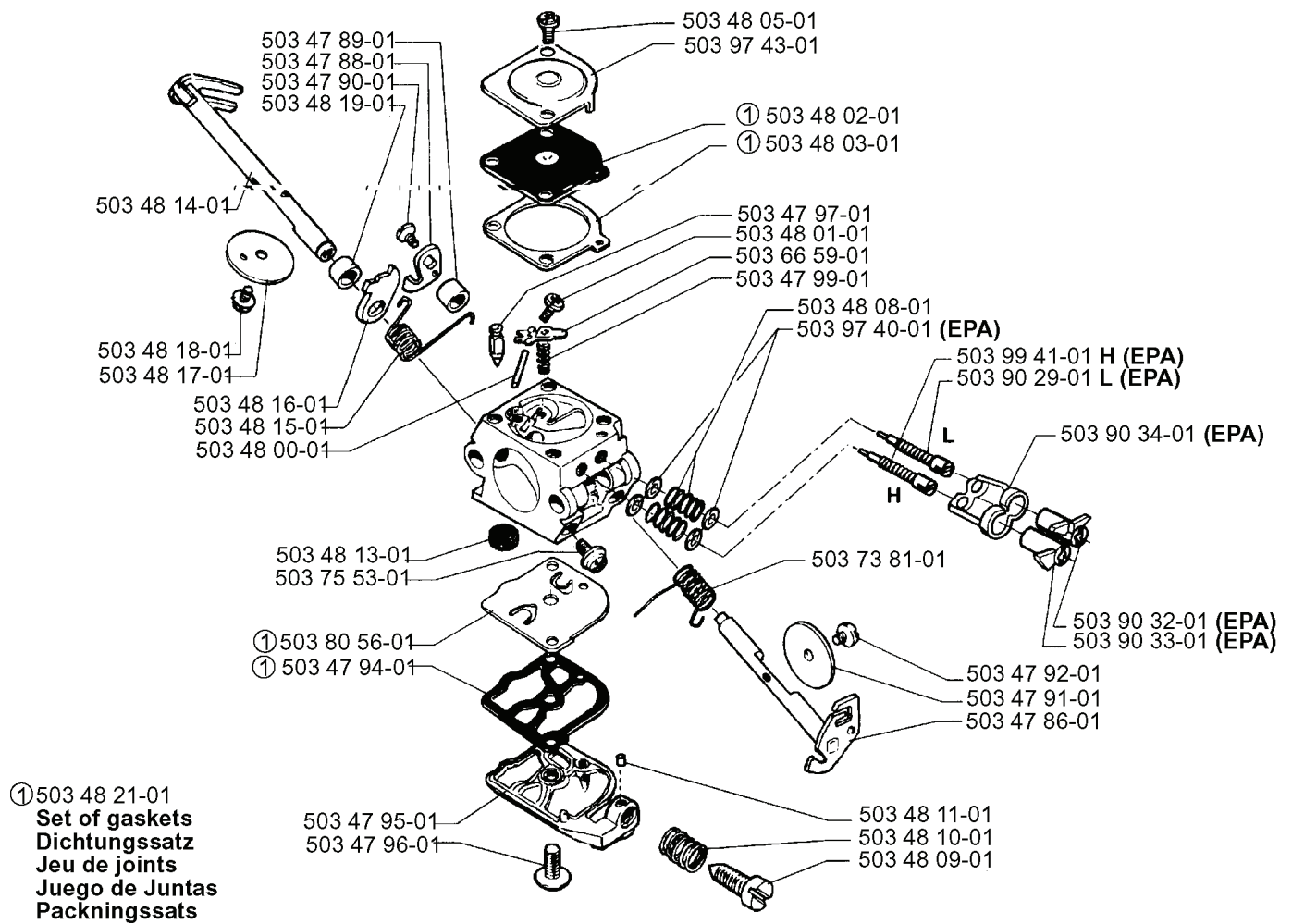
*compl 503 10 63-02
① compl 503 10 66-03



REF.	PART NO.	DESCRIPTION	REMARK	QTY.	KIT
503 10 63-02	503106302	CHAIN BRAKE		1	
503 10 66-03	503106603	HAND GUARD ASSY		1	
503 80 27-01	503802701	PIVOT PIN		1	
503 20 26-16	503202616	SCREW IHSCM		1	
501 76 80-01	501768001	SHAFT		1	
501 76 81-01	501768101	SHAFT		1	
735 31 08-20	735310820	E-CLIP		1	
503 53 91-01	503539101	POSITION SPRING		1	
501 87 47-01	501874701	SPRING		1	
503 22 00-01	503220001	HEXAGON NUT		1	
505 26 78-95	505267895	PAWL		1	
735 31 09-20	735310920	E-CLIP		1	
505 23 09-02	505230902	SCREW		1	
721 42 52-50	721425250	SPRING PIN		1	
503 10 65-01	503106501	HUB CAP		1	
503 68 85-01	503688501	BRAKE BAND		1	
501 87 54-01	501875401	BRAKE SPRING		1	
503 21 28-10	503212810	SCREW CCRPANT		1	
501 87 53-01	501875301	KNEE JOINT ASSY		1	
720 12 33-00	720123300	PARALLEL PIN		1	

N

Compl. 503 28 31-04

ZAMA C1Q - EL 5 (EPA)

REF.	PART NO.	DESCRIPTION	REMARK	QTY.	KIT
503 28 31-04	503283104	CARBURETTOR		1	
503 47 89-01	503478901	COLLAR		1	
503 47 88-01	503478801	LEVER		1	
503 47 90-01	503479001	SCREW		1	
503 48 19-01	503481901	COLLAR		1	
503 48 14-01	503481401	SHAFT ASSY		1	
503 48 18-01	503481801	SCREW		1	
503 48 17-01	503481701	VALVE		1	
503 48 16-01	503481601	LEVER		1	
503 48 15-01	503481501	SPRING		1	
503 48 00-01	503480001	PIN RETAINING SCREW		1	
503 48 13-01	503481301	STRAINER		1	
503 75 53-01	503755301	SCREW		1	
503 80 56-01	503805601	DIAPHRAGM PUMP	503 48 21-01 SET OF GASKETS	1	
503 47 94-01	503479401	GASKET	503 48 21-01 SET OF GASKETS	1	
503 47 95-01	503479501	COVER		1	
503 47 96-01	503479601	SCREW		1	
503 48 09-01	503480901	SCREW		1	
503 48 10-01	503481001	SPRING		1	
503 48 11-01	503481101	PIECE		1	
503 47 86-01	503478601	SHAFT ASSY		1	
503 47 91-01	503479101	VALVE		1	
503 47 92-01	503479201	SCREW		1	
503 90 33-01	503903301	LIMITER CAP	EPA	1	
503 90 32-01	503903201	LIMITER CAP	EPA	1	
503 73 81-01	503738101	RECOIL SPRING		1	
503 90 34-01	503903401	RETAINER	EPA	1	
503 90 29-01	503902901	SCREW	L (EPA)	1	
503 99 41-01	503994101	NEEDLE	H (EPA)	1	
503 97 40-01	503974001	WASHER	EPA	1	
503 48 08-01	503480801	SPRING		1	
503 47 99-01	503479901	SPRING		1	
503 66 59-01	503665901	LEVER		1	
503 48 01-01	503480101	SCREW		1	
503 47 97-01	503479701	VALVE		1	
503 48 03-01	503480301	GASKET	503 48 21-01 SET OF GASKETS	1	
503 48 02-01	503480201	DIAPHRAGM	503 48 21-01 SET OF GASKETS	1	
503 97 43-01	503974301	COVER		1	
503 48 05-01	503480501	SCREW		1	