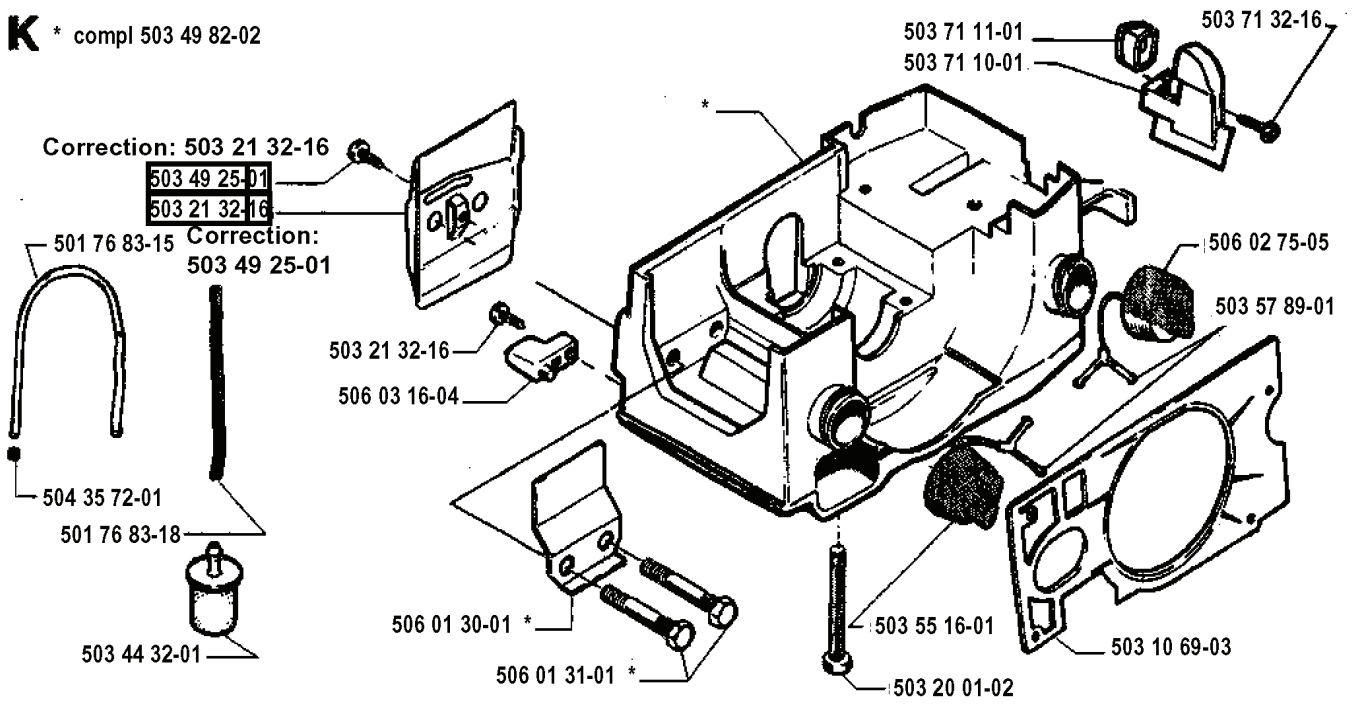


45, 19952300001-19981800000

---

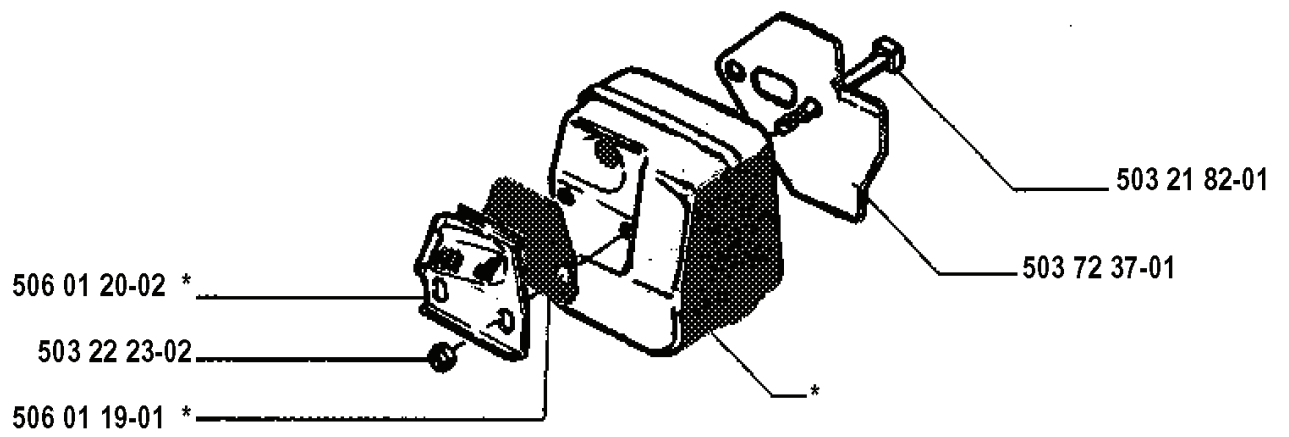
# **SPARE PARTS LIST**

**K** \* compl 503 49 82-02



REF.	PART NO.	DESCRIPTION	REMARK	QTY.	KIT
503 49 82-02	503498202	TANK ASSY		1	
503 21 32-16	503213216	SCREW CITXPANT	CORRECTION:	1	
501 76 83-15	501768315	FUEL HOSE		1	
503 49 25-01	503492501	CHAIN GUIDE PLATE	CORRECTION:	1	
504 35 72-01	504357201	PLUG		1	
501 76 83-18	501768318	FUEL HOSE		1	
503 44 32-01	503443201	FUEL FILTER		1	
506 01 30-01	506013001	HEAT PROTECTOR		1	
506 03 16-04	506031604	CHAIN CATCHER		1	
506 01 31-01	506013101	BAR BOLT		1	
503 20 01-02	503200102	SCREW EHHFMO		1	
503 55 16-01	503551601	TANK CAP ASSY		1	
503 10 69-03	503106903	BAR		1	
503 57 89-01	503578901	HOLDER		1	
506 02 75-05	506027505	TANK CAP ASSY		1	
503 71 32-16	503713216	SCREW		1	
503 71 10-01	503711001	NOZZLE		1	
503 71 11-01	503711101	GROMMET		1	

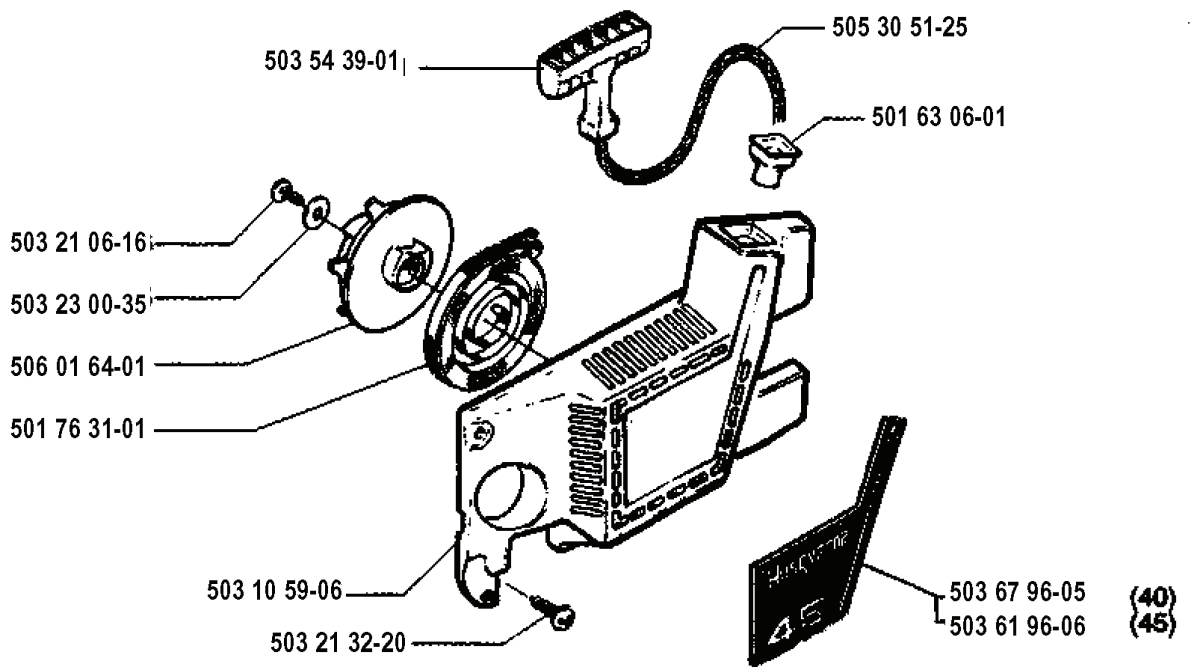
**F** \* compl 503 59 51-02



---

REF.	PART NO.	DESCRIPTION	REMARK	QTY.	KIT
5035951-02	503595102	MUFFLER KIT		1	
5060120-02	506012002	GAS CONDUIT		1	
5032223-02	503222302	LOCK NUT		1	
5060119-01	506011901	SPARK ARRESTER		1	
5037237-01	503723701	PLATE		1	
5032182-01	503218201	SCREW		1	

L

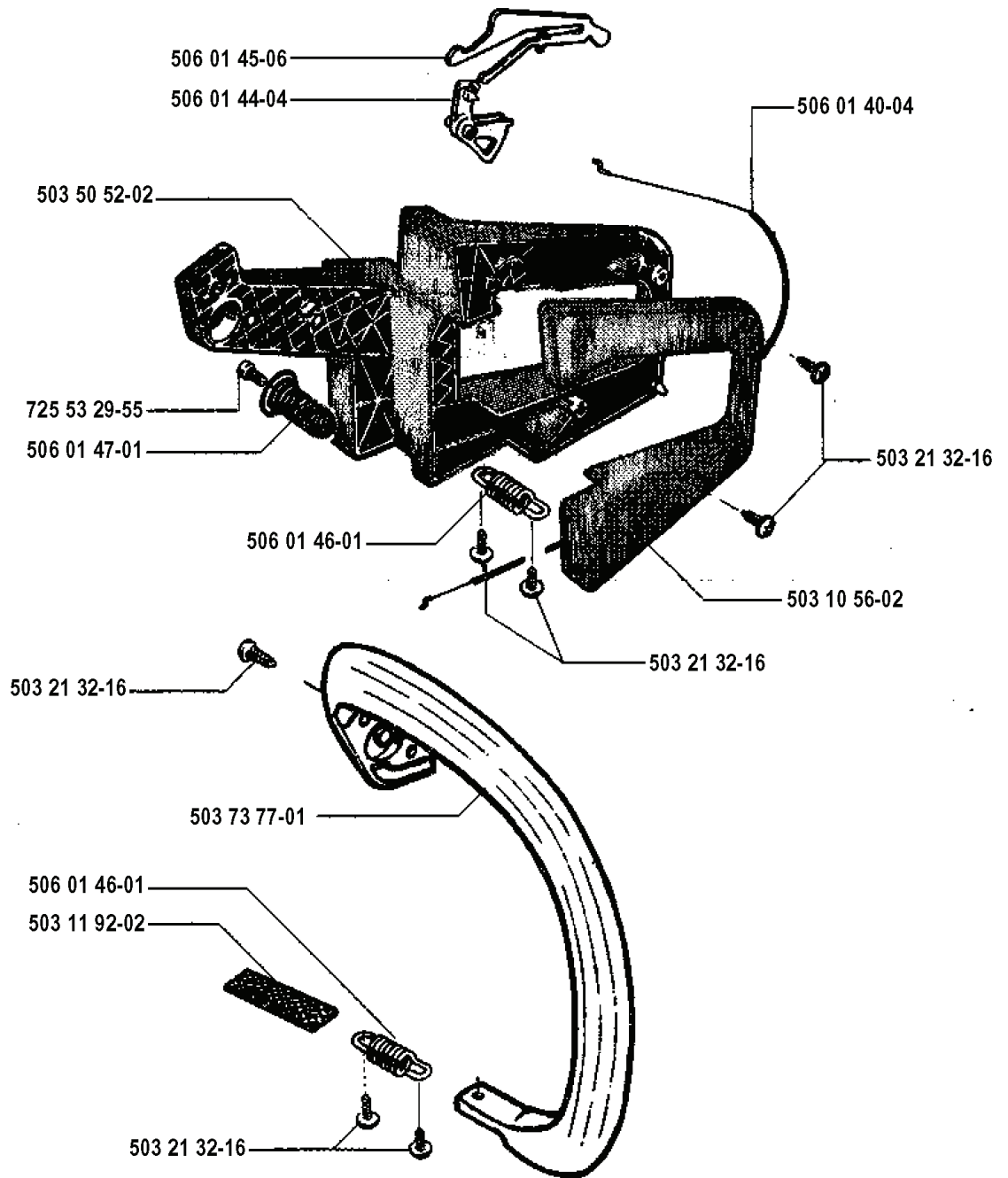


---

REF.	PART NO.	DESCRIPTION	REMARK	QTY.	KIT
503 54 39-01	503543901	STARTER HANDLE		1	
503 21 06-16	503210616	SCREW IHSCT		1	
503 23 00-35	503230035	WASHER		1	
506 01 64-01	506016401	STARTER PULLEY		1	
501 76 31-01	501763101	SPRING CASSETTE ASSY		1	
503 10 59-06	503105906	STARTER HOUSING		1	
503 21 32-20	503213220	SCREW CITXPANT		1	
503 61 96-06	503619606	LABEL	45	1	
503 67 96-05	503679605		40	1	
501 63 06-01	501630601	SLEEVE		1	
505 30 51-25	505305125	STARTER ROPE		1	



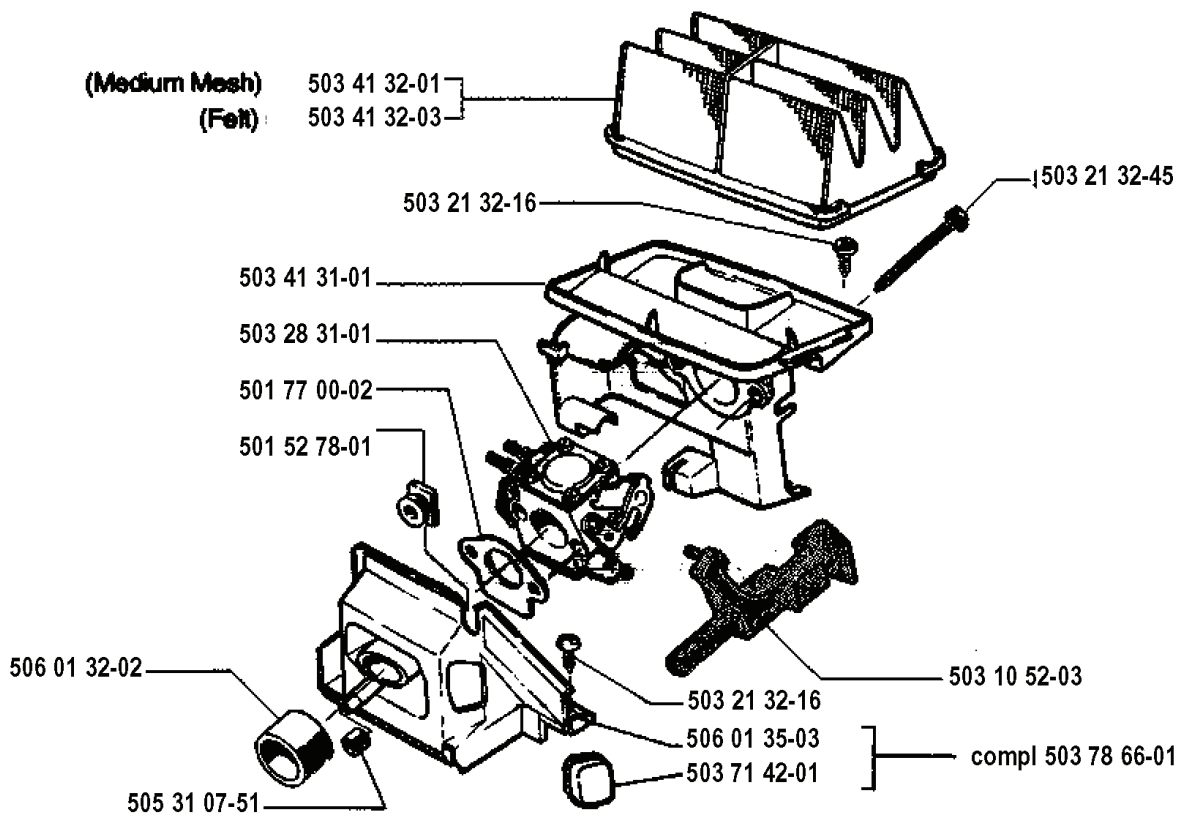
**E**



---

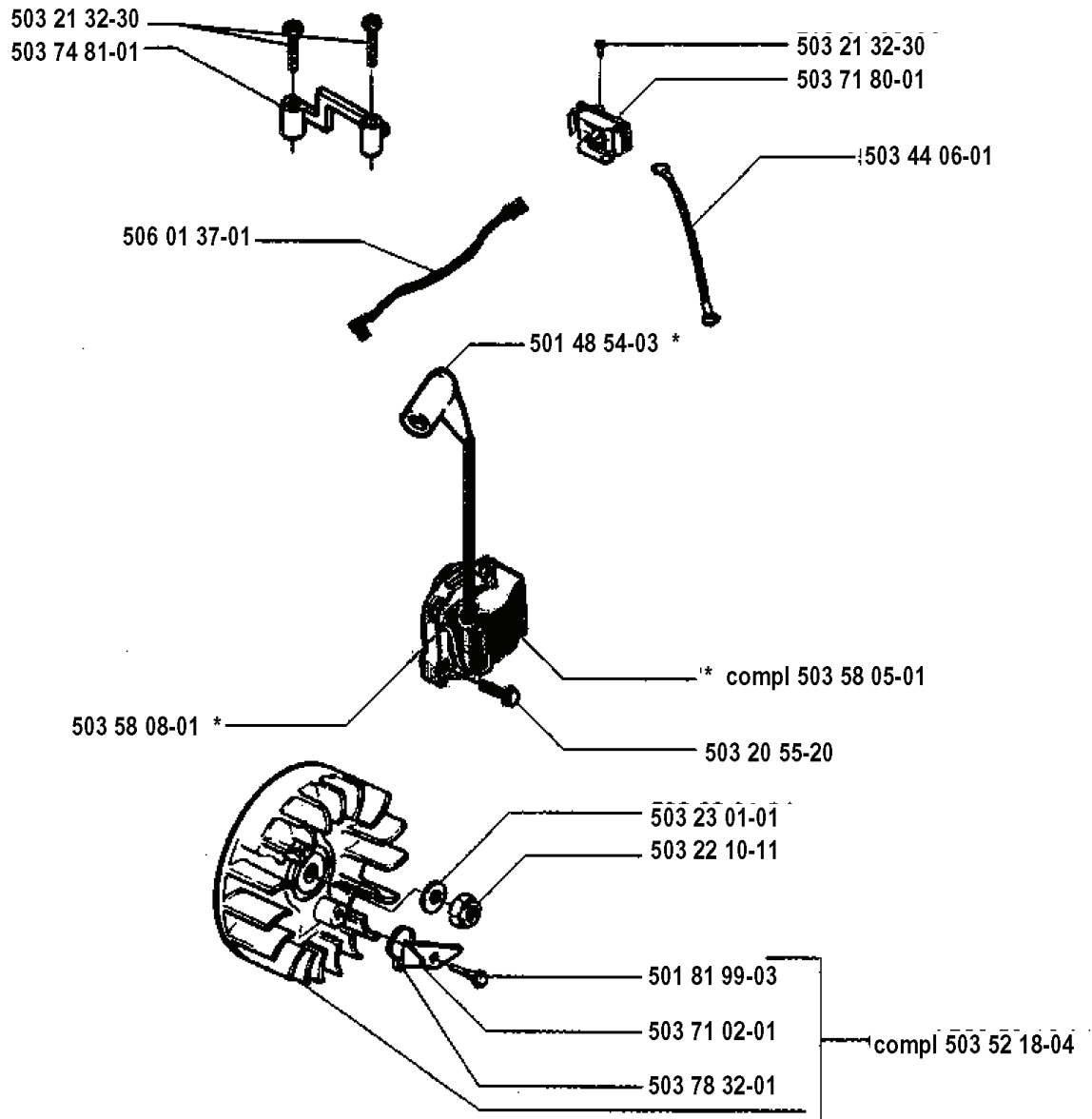
REF.	PART NO.	DESCRIPTION	REMARK	QTY.	KIT
506 01 45-06	506014506	THROTTLE LOCKOUT		1	
506 01 44-04	506014404	THROTTLE TRIGGER		1	
503 50 52-02	503505202	HANDLE HALF		1	
725 53 29-55	725532955	SCREW IHSCM		1	
506 01 47-01	506014701	ANTIVIBRATION ELEMENT		1	
506 01 46-01	506014601	ANTIVIBRATION ELEMENT		1	
503 73 77-01	503737701	FRONT HANDLE		1	
503 11 92-02	503119202	STRAP		1	
503 21 32-16	503213216	SCREW CITXPANT		1	
503 10 56-02	503105602	HANDLE HALF		1	
506 01 40-04	506014004	THROTTLE CABLE		1	

**D**



REF.	PART NO.	DESCRIPTION	REMARK	QTY.	KIT
503 41 32-01	503413201	AIR FILTER	MEDIUM MESH	1	
503 41 32-03	503413203	AIR FILTER	FELT	1	
503 41 31-01	503413101	AIR FILTER HOLDER		1	
503 28 31-01	503283101	CARBURETTOR		1	
501 77 00-02	501770002	GASKET		1	
501 52 78-01	501527801	GROMMET		1	
506 01 32-02	506013202	INLET PIPE		1	
505 31 07-51	505310751	IMPULSE HOSE		1	
503 71 42-01	503714201	PLUG		1	
506 01 35-03	506013503	INSULATION WALL		1	
503 21 32-16	503213216	SCREW CITXPANT		1	
503 78 66-01	503786601	KIT		1	
503 10 52-03	503105203	CHOKE CONTROL		1	
503 21 32-45	503213245	SCREW CITXPANT		1	

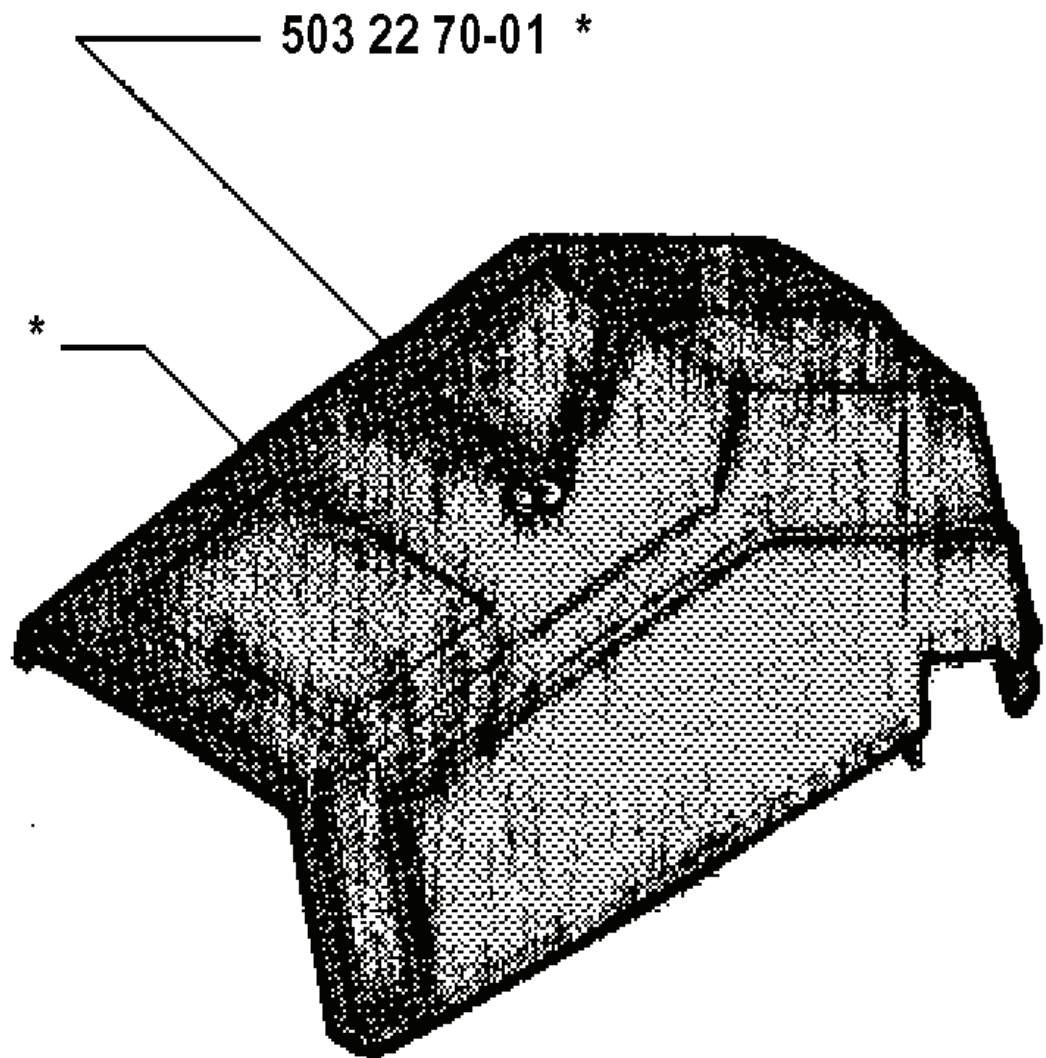
H



REF.	PART NO.	DESCRIPTION	REMARK	QTY.	KIT
5032132-30	503213230	SCREW CITXPANT		1	
5037481-01	503748101	CLAMP		1	
5060137-01	506013701	CABLE		1	
5035808-01	503580801	LOCKING SPRING		1	
5037832-01	503783201	SPRING		1	
5037102-01	503710201	PAWL		1	
5018199-03	501819903	SCREW		1	
5035218-04	503521804	FLYWHEEL ASSY		1	
5032210-11	503221011	HEXAGON NUT		1	
5032301-01	503230101	WASHER		1	
5032055-20	503205520	SCREW CITXPANM		1	
5035805-01	503580501	IGNITION MODULE		1	
5014854-03	501485403	SPARK PLUG CAP		1	
5034406-01	503440601	GROUND CABLE		1	
5037180-01	503718001	STOP SWITCH		1	

**B**

- \* compl 503 10 61-03
- \* compl 503 50 20-03 **(USA) (40)**
- \* compl 503 50 20-04 **(USA) (45)**



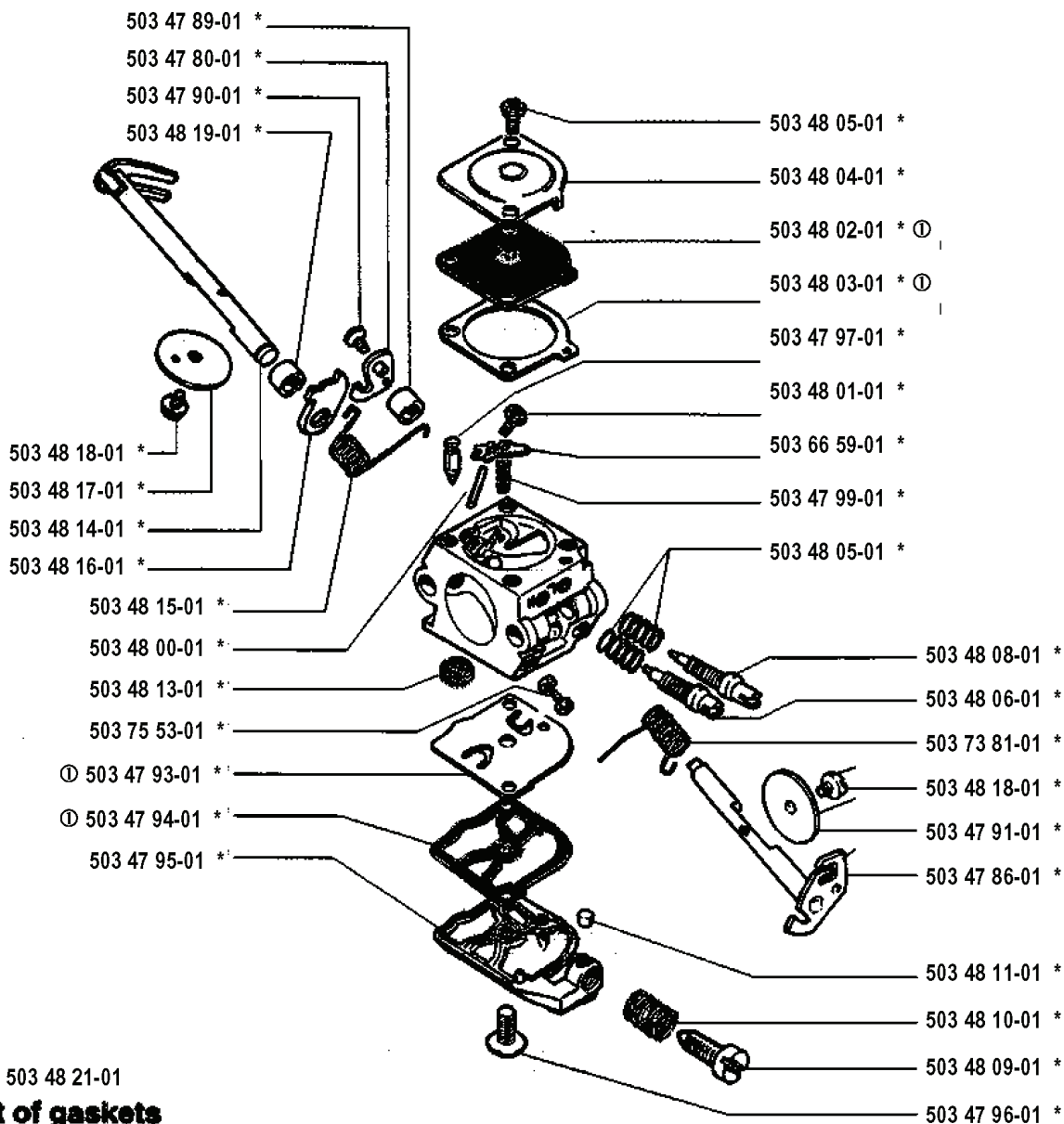
---

REF.	PART NO.	DESCRIPTION	REMARK	QTY.	KIT
503 10 61-03	503106103	CYLINDER COVER		1	
503 50 20-03	503502003	CYLINDER COVER ASSY	USA 40	1	
503 50 20-04	503502004	CYLINDER COVER ASSY	USA 45	1	
503 22 70-01	503227001	NUT		1	



**M** \* compl 503 10 63-01

# ZAMA C1Q-EL1

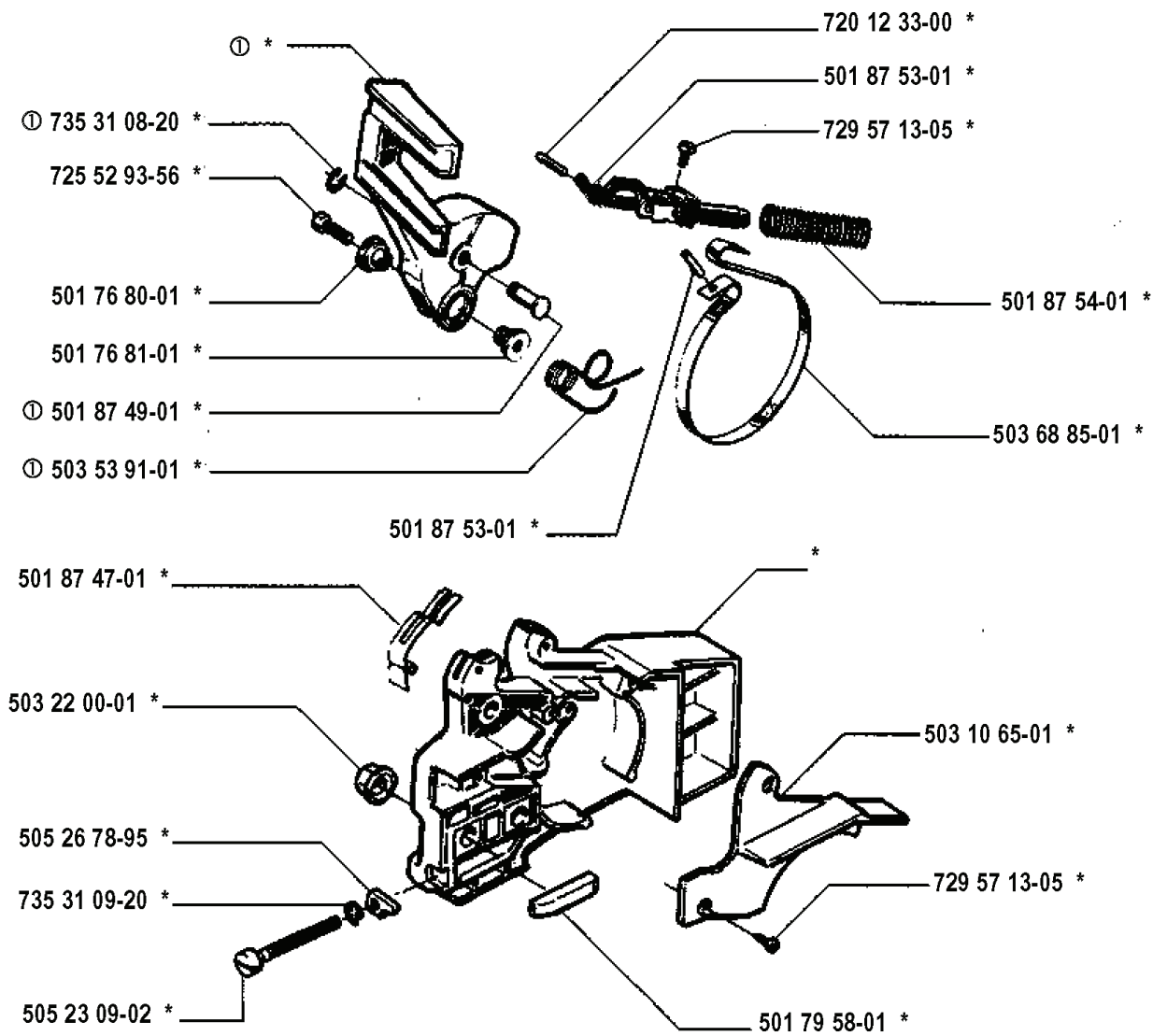


① 503 48 21-01

**Set of gaskets**  
**Dichtungssatz**  
**Jeu de joints**  
**Juego de Juntas**  
**Packningesatz**

REF.	PART NO.	DESCRIPTION	REMARK	QTY.	KIT
503 10 63-01	503106301	CHAIN BRAKE ASSY		1	
503 47 89-01	503478901	COLLAR		1	
503 47 80-01	503478001	HOSE GROMMET		1	
503 47 90-01	503479001	SCREW		1	
503 48 19-01	503481901	COLLAR		1	
503 48 18-01	503481801	SCREW		1	
503 48 17-01	503481701	VALVE		1	
503 48 14-01	503481401	SHAFT ASSY		1	
503 48 16-01	503481601	LEVER		1	
503 48 15-01	503481501	SPRING		1	
503 48 00-01	503480001	PIN RETAINING SCREW		1	
503 48 13-01	503481301	STRAINER		1	
503 75 53-01	503755301	SCREW		1	
503 47 93-01	503479301	DIAPHRAGM PUMP	503 48 21-01 SET OF GASKETS	1	
503 47 94-01	503479401	GASKET	503 48 21-01 SET OF GASKETS	1	
503 47 95-01	503479501	COVER		1	
503 47 96-01	503479601	SCREW		1	
503 48 09-01	503480901	SCREW		1	
503 48 10-01	503481001	SPRING		1	
503 48 11-01	503481101	PIECE		1	
503 47 86-01	503478601	SHAFT ASSY		1	
503 47 91-01	503479101	VALVE		1	
503 73 81-01	503738101	RECOIL SPRING		1	
503 48 06-01	503480601	SCREW		1	
503 48 08-01	503480801	SPRING		1	
503 48 05-01	503480501	SCREW		1	
503 47 99-01	503479901	SPRING		1	
503 66 59-01	503665901	LEVER		1	
503 48 01-01	503480101	SCREW		1	
503 47 97-01	503479701	VALVE		1	
503 48 03-01	503480301	GASKET	503 48 21-01 SET OF GASKETS	1	
503 48 02-01	503480201	DIAPHRAGM	503 48 21-01 SET OF GASKETS	1	
503 48 04-01	503480401	COVER		1	

**A** \* compl 503 10 63-02  
 ① compl 503 10 66-03

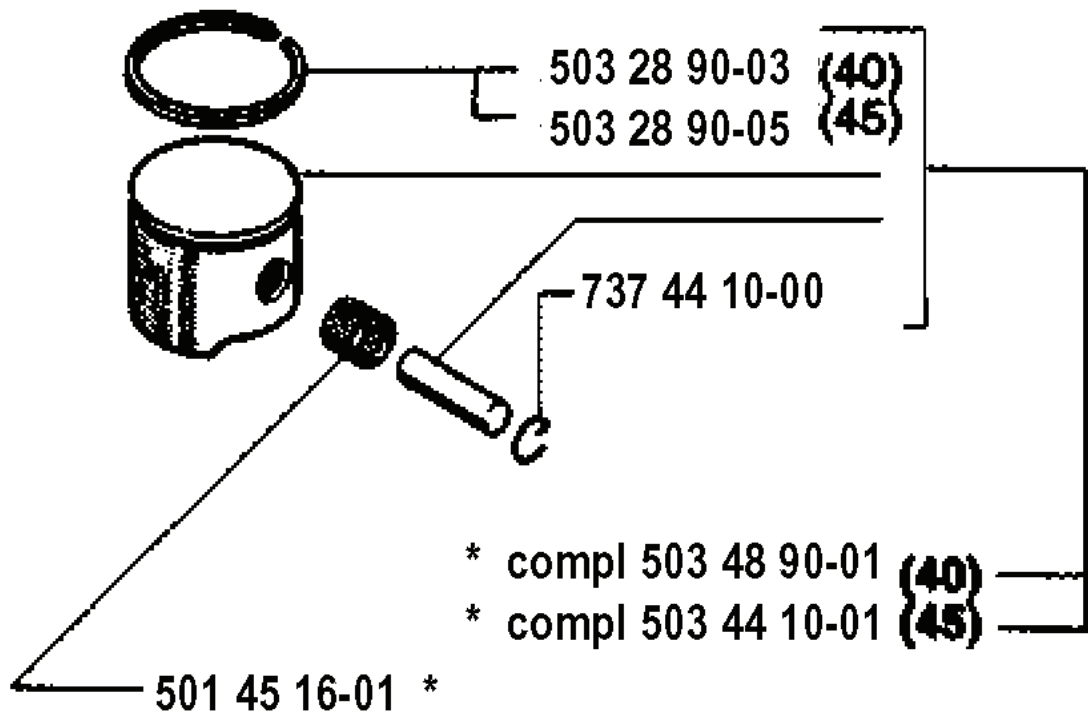
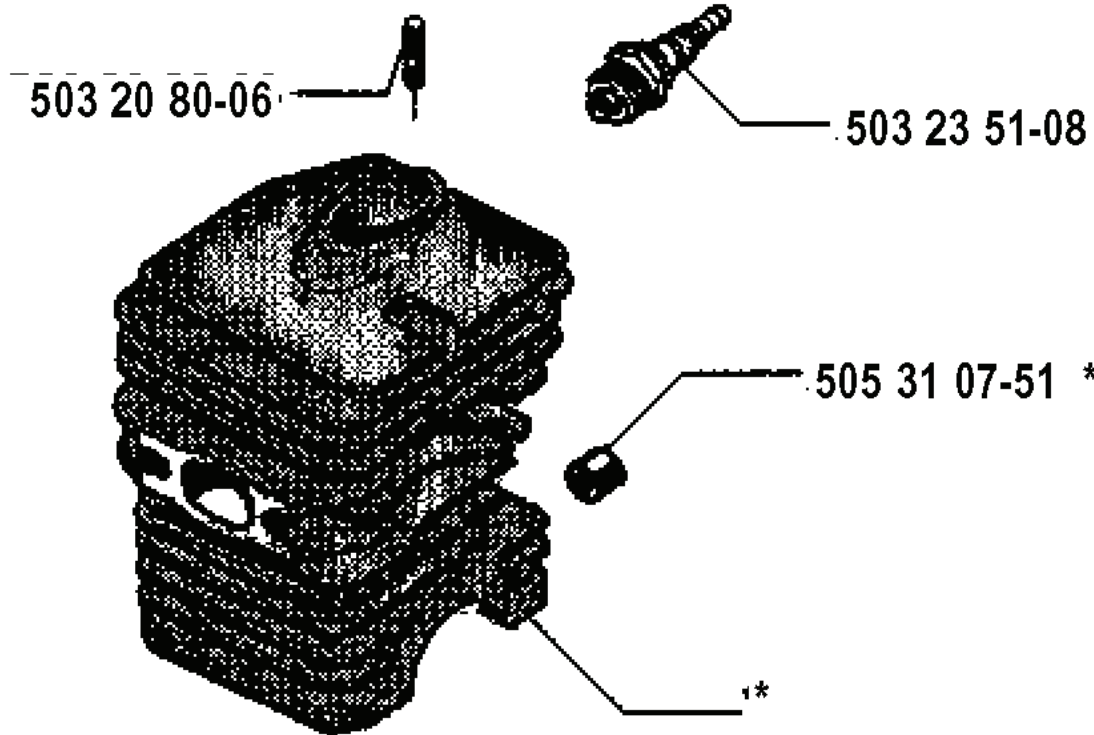


REF.	PART NO.	DESCRIPTION	REMARK	QTY.	KIT
503 10 63-02	503106302	CHAIN BRAKE		1	
503 10 66-03	503106603	HAND GUARD ASSY		1	
735 31 08-20	735310820	E-CLIP		1	
725 52 93-56	725529356	SCREW IHSCM		1	
501 76 80-01	501768001	SHAFT		1	
501 76 81-01	501768101	SHAFT		1	
501 87 49-01	501874901	PIVOT PIN		1	
503 53 91-01	503539101	POSITION SPRING		1	
501 87 47-01	501874701	SPRING		1	
503 22 00-01	503220001	HEXAGON NUT		1	
505 26 78-95	505267895	PAWL		1	
735 31 09-20	735310920	E-CLIP		1	
505 23 09-02	505230902	SCREW		1	
501 87 53-01	501875301	KNEE JOINT ASSY		1	
501 79 58-01	501795801	CHAIN GUIDE		1	
729 57 13-05	729571305	SCREW CRPANT		1	
503 10 65-01	503106501	HUB CAP		1	
503 68 85-01	503688501	BRAKE BAND		1	
501 87 54-01	501875401	BRAKE SPRING		1	
720 12 33-00	720123300	PARALLEL PIN		1	

**C**

\* compl 506 01 06-07 (40)

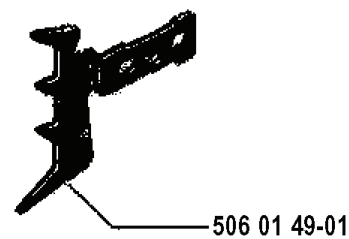
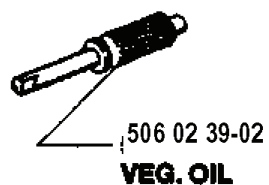
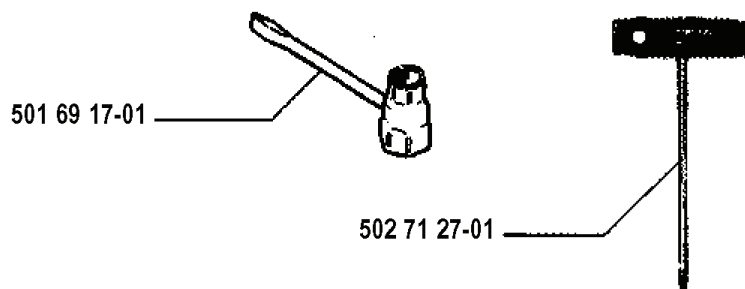
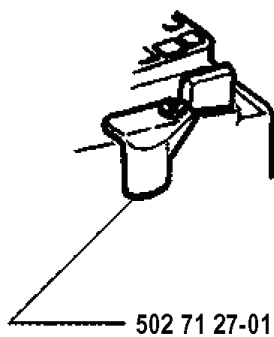
\* compl 503 44 08-02 (45)



---

REF.	PART NO.	DESCRIPTION	REMARK	QTY.	KIT
506 01 06-07	506010607	CYLINDER ASSY	40	1	
503 44 08-02	503440802	CYLINDER ASSY	45	1	
503 20 80-06	503208006	SCREW		1	
501 45 16-01	501451601	NEEDLE BEARING		1	
503 44 10-01	503441001	PISTON ASSY	45	1	
503 48 90-01	503489001	PISTON ASSY	40	1	
737 44 10-00	737441000	SNAP RING		1	
503 28 90-05	503289005	PISTON RING	45	1	
503 28 90-03	503289003	PISTON RING	40	1	
505 31 07-51	505310751	IMPULSE HOSE		1	
503 23 51-08	503235108	SPARK PLUG		1	

**N** Accessories  
Zubehöre  
Accessoires  
Acessorios  
Tillbehör

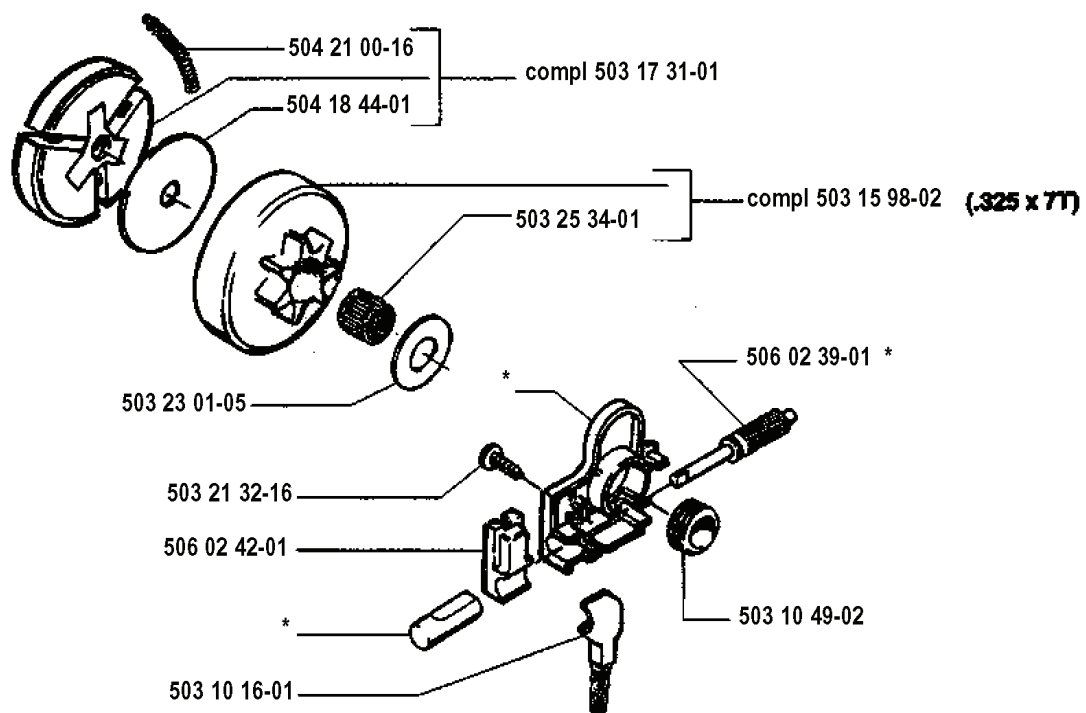


---

REF.	PART NO.	DESCRIPTION	REMARK	QTY.	KIT
5016917-01	501691701	COMBINATION WRENCH		1	
5060239-02	506023902	PUMP PISTON	VEG. OIL	1	
5027127-01	502712701	WRENCH		1	
5060149-01	506014901	SPIKE		1	



**J** \* compl 506 02 77-01



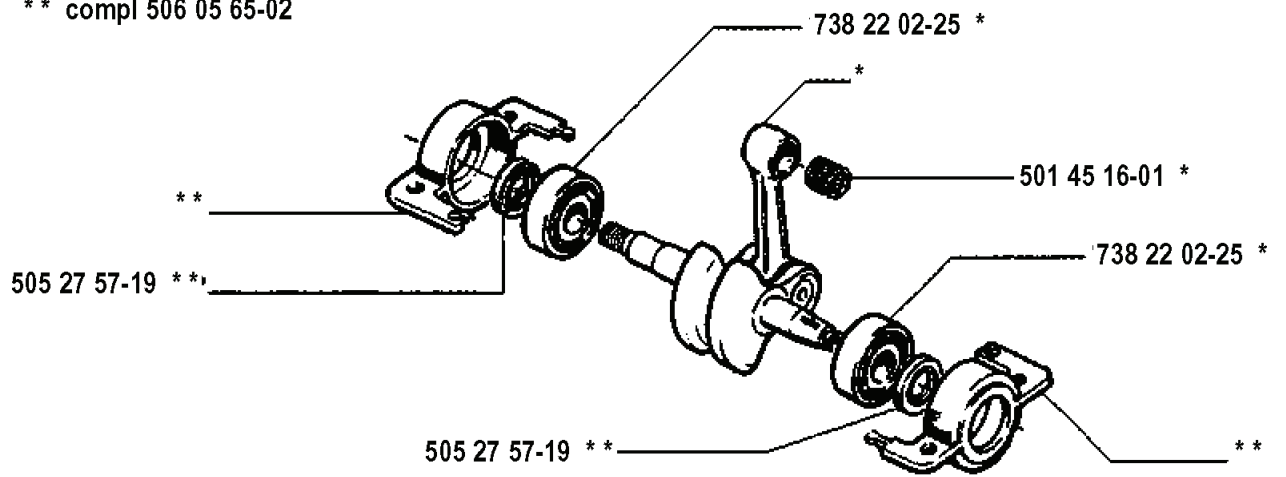
---

REF.	PART NO.	DESCRIPTION	REMARK	QTY.	KIT
506 02 77-01	506027701	OIL PUMP ASSY		1	
503 23 01-05	503230105	WASHER		1	
503 21 32-16	503213216	SCREW CITXPANT		1	
506 02 42-01	506024201	PRESSURE PIPE		1	
503 10 16-01	503101601	SUCTION HOSE ASSY		1	
503 10 49-02	503104902	PUMP PINION		1	
506 02 39-01	506023901	PUMP PISTON		1	
503 15 98-02	503159802	CLUTCH DRUM	.325 X 7T	1	
503 25 34-01	503253401	NEEDLE BEARING		1	
503 17 31-01	503173101	CLUTCH ASSY		1	
504 18 44-01	504184401	WASHER		1	
504 21 00-16	504210016	CLUTCH SPRING		1	

**G**

\* compl 503 57 38-06

\*\* compl 506 05 65-02



---

REF.	PART NO.	DESCRIPTION	REMARK	QTY.	KIT
503 57 38-06	503573806	CRANKSHAFT ASSY		1	
506 05 65-02	506056502	SEAL		1	
505 27 57-19	505275719	SEALING RING		1	
501 45 16-01	501451601	NEEDLE BEARING		1	
738 22 02-25	738220225	BALL BEARING		1	